

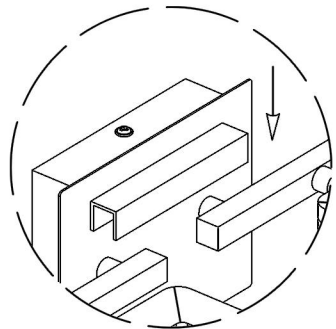
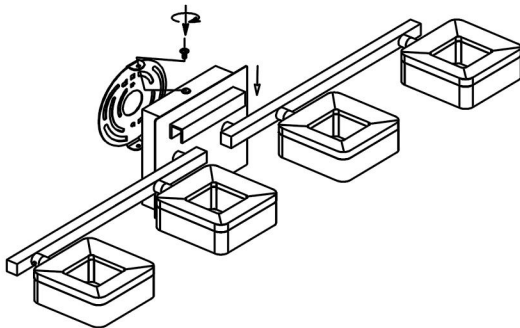
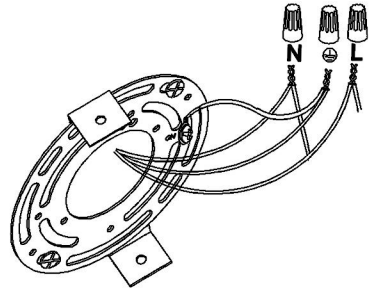
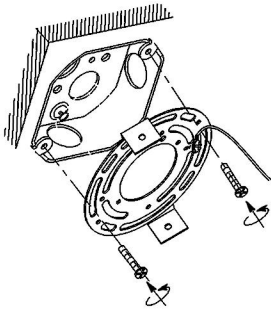
LED Vanity Light

I N S T A L L A T I O

NOTE:

- * Make sure **POWER** is **COMPLETELY OFF** at the fuse box
- * Have your fixture installed by a qualified licensed electrician
- * Prepare everything in a clear area
- * Wear gloves at all time during this installation
- * Read instructions carefully before you start assembly
- * Keep this installation sheet for future reference

1. Remove fixture from its original package
2. Separate mounting plate from fixture box
3. Attach mounting plate to electrical junction
4. Make proper electrical connections (black with wire nuts provided in hardware package)
5. Align mounting plate to holes on fixture



NOTE: The accessories are installed downward to secure both sides of the vanity light.