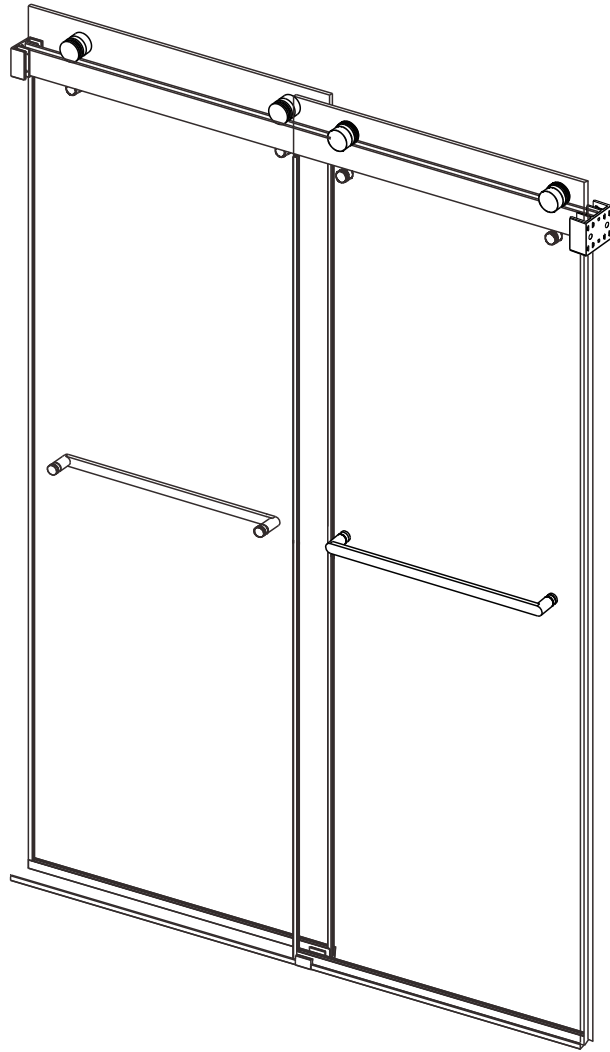


# INSTALLATION INSTRUCTIONS WARRANTY INFORMATION

---

FOR SHOWER DOOR AND BATHTUB DOOR



KDS-4876-CH/BR/MB  
KDS-5476-CH/BR/MB  
KDS-6076-CH/BR/MB  
KDS-6676-CH/BR/MB  
KDS-7276-CH/BR/MB  
KDS-7676-CH/BR/MB

KDS-6060-CH/BR/MB  
KDS-6072-CH/BR/MB  
KDS-6080-CH/BR/MB  
KDS-7280-CH/BR/MB

**FINISH :**

**CH**-Chrome    **BR**-Brushed Nickel    **MB**-Matte Black

---

## ◆ General Information

Inspect the product immediately upon receipt for transit damage, missing packs/parts or manufacturing fault. Damage reported later will not be accepted. Handle the product with care avoiding knocks and shock loading to all sides and edges of the glass.

## ◆ Notes: Safety glass can not be re-worked

Read these instructions carefully before start of installation.

Special care should be taken when drilling walls to avoid hidden pipes or electrical cables.

**Note:** This product is heavy and may require two people to install.

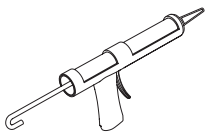
## ◆ Aftercare instructions

After use, your shower should be cleaned with soap and water. This is particularly important in hard water districts where insoluble lime salts maybe deposited and allowed to build up. Cleaners of a gritty or abrasive nature should not be used. Care should be taken to avoid contact with strong chemicals, they can be used but with caution, if in doubt contact the manufacturer of the cleaner in question.

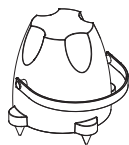
Keep these instructions for aftercare and customer service details.

---

## Tools Required

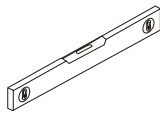


Silicone

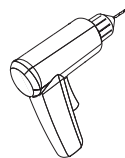


Lazer

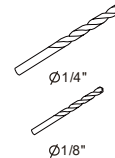
or



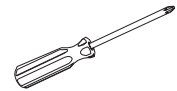
Level



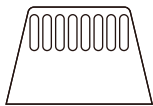
Drill



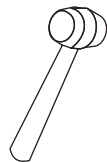
Drill Bit



Screwdriver  
(Phillips)



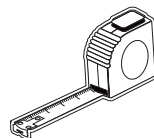
Sealant  
Finishing Tool



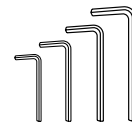
Mallet



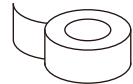
Pencil



Tape Measurer



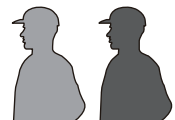
Allen Wrenches



Painters  
Tape

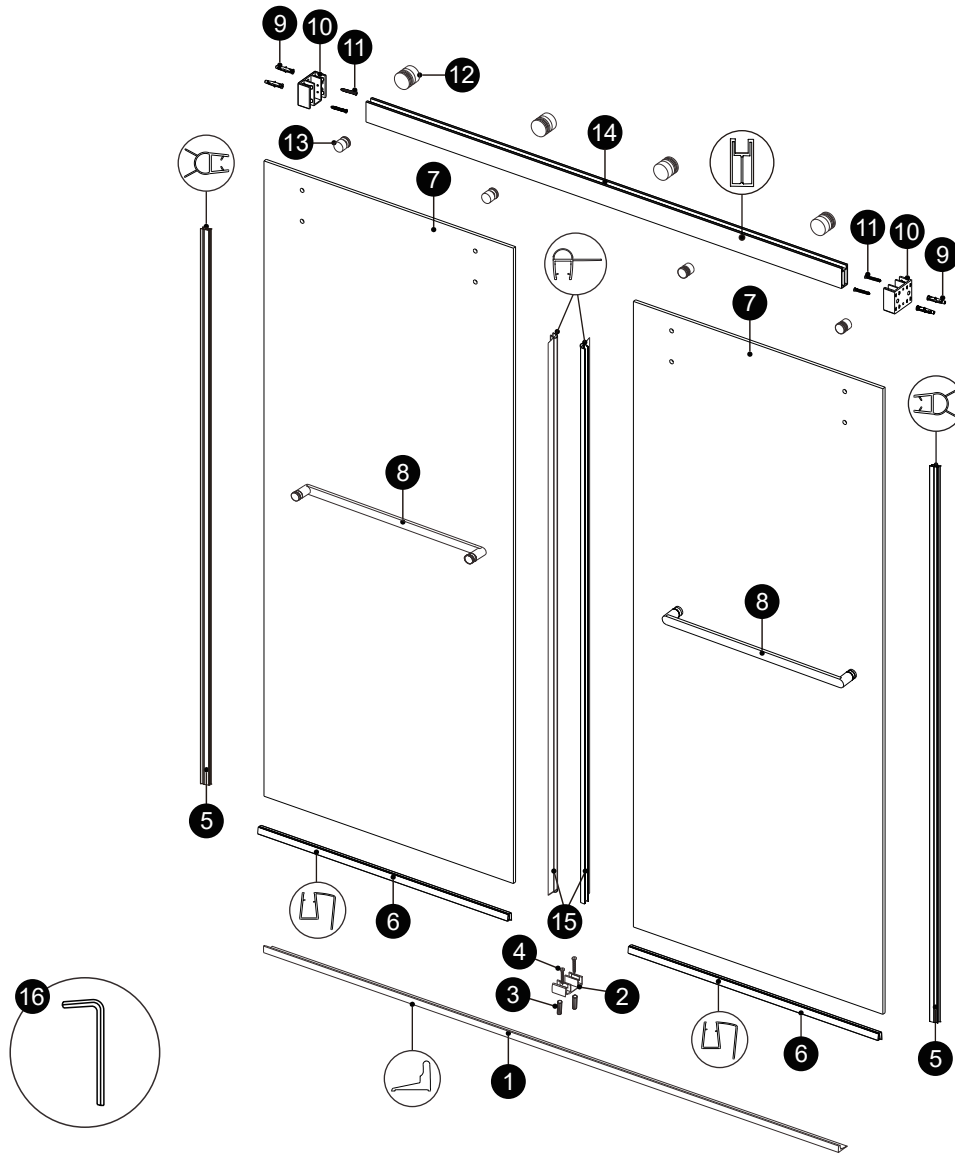
**Tips:** Measure the finished opening before proceeding with the installation to be sure that the correct model size has been ordered.

**Note:** These instructions will show the installation of the shower door. Please follow the same steps for the installation of the tub door.



# PARTS LIST

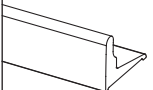
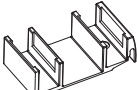
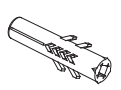

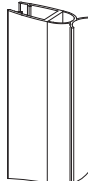
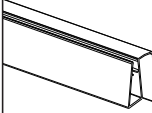
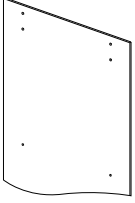
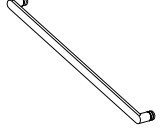
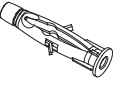
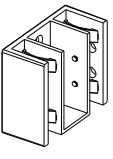
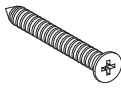


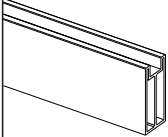
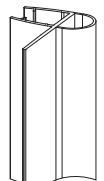
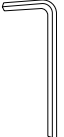
## FOR SHOWER/BATHTUB DOOR



### PACKING LIST

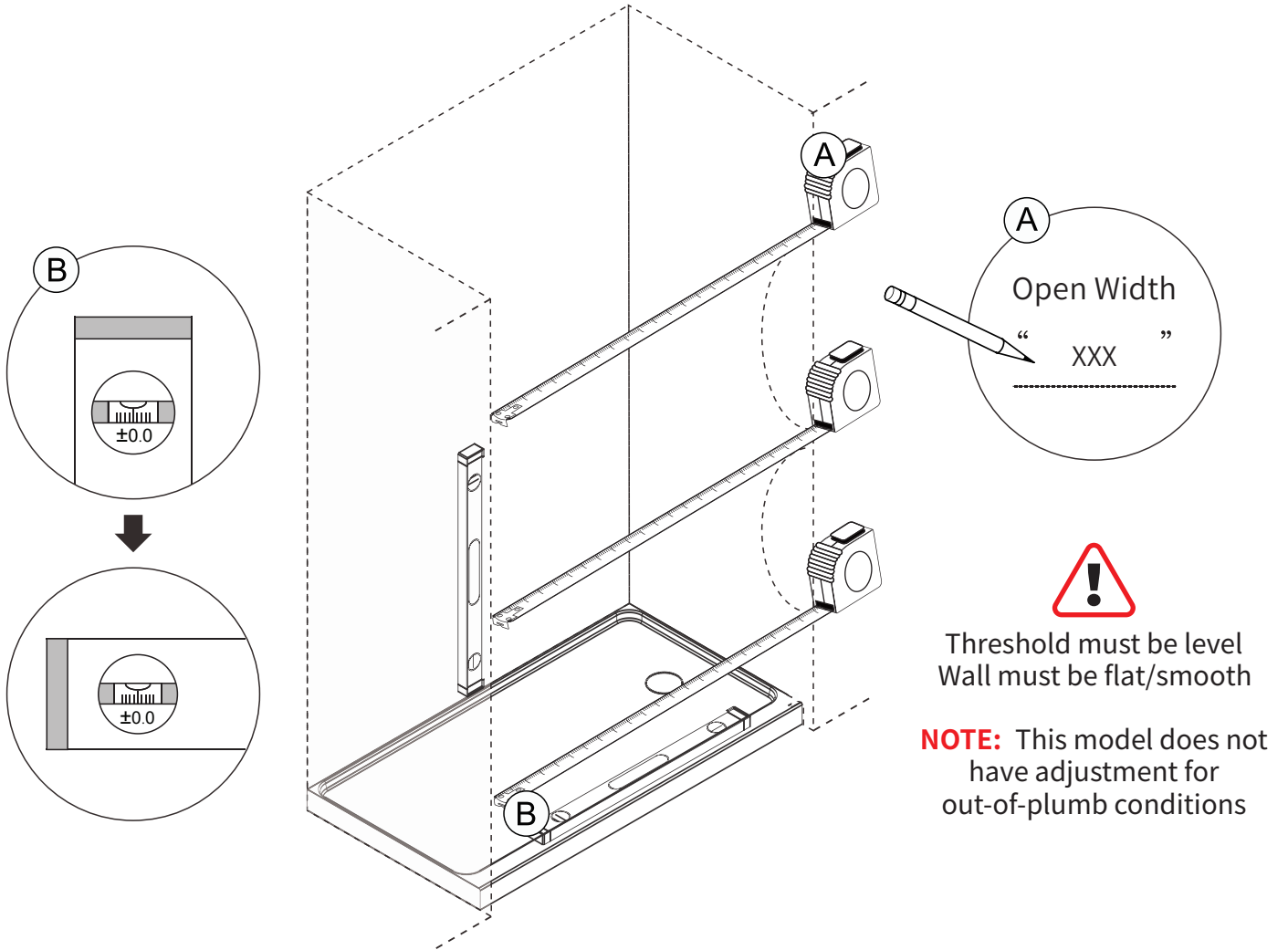


Keep small parts away from children

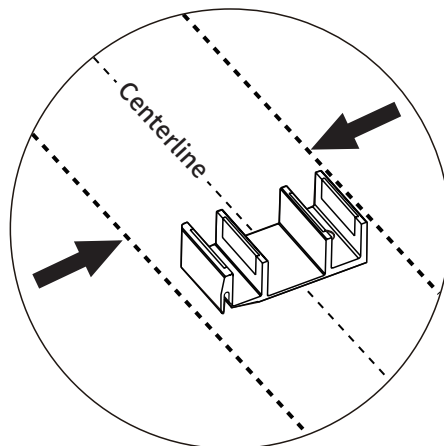
Aluminium Threshold	Bottom Guide	Wall Plugs-A	Screw ST4x1"	Gasket-A	Gasket-B	Door Panels	Towel Bar
							
<b>1</b> 1 PC	<b>2</b> 1 PC	<b>3</b> 2 PCS	<b>4</b> 2 PCS	<b>5</b> 2 PCS	<b>6</b> 2 PCS	<b>7</b> 2 PCS	<b>8</b> 2 PCS
Wall Plugs-B	Wall Brackets (L/R) for each	Screw ST5x2"	Rollers	Anti-Lift Pins	Running Rail	Gasket-C	Allen Wrenches
							
<b>9</b> 4 PCS	<b>10</b> 1 SET	<b>11</b> 4 PCS	<b>12</b> 4 PCS	<b>13</b> 4 PCS	<b>14</b> 1 PC	<b>15</b> 2 PCS	<b>16</b> 1 PC

# INSTALLATION STEPS

## Step 1 - Measure wall opening size



minimum 3"  
of flat required space



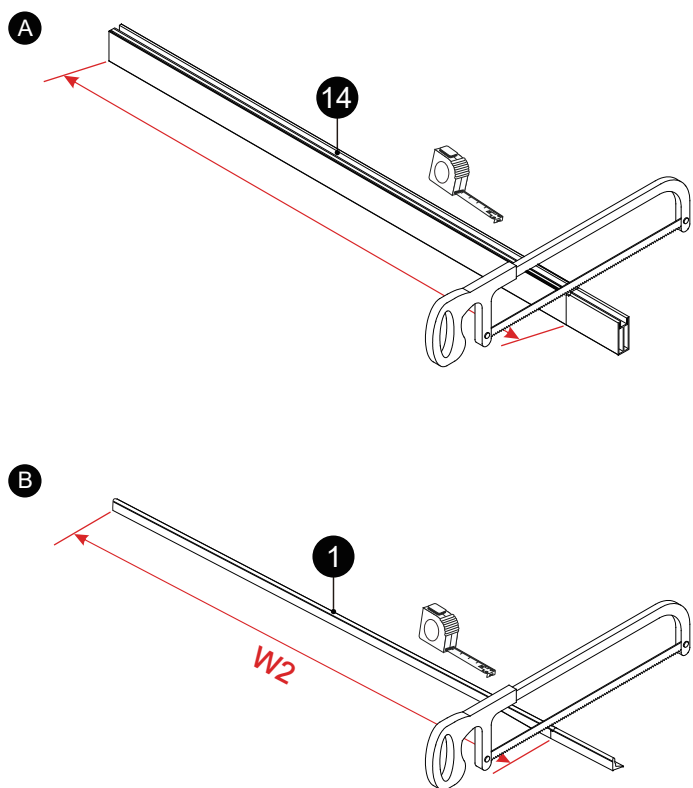
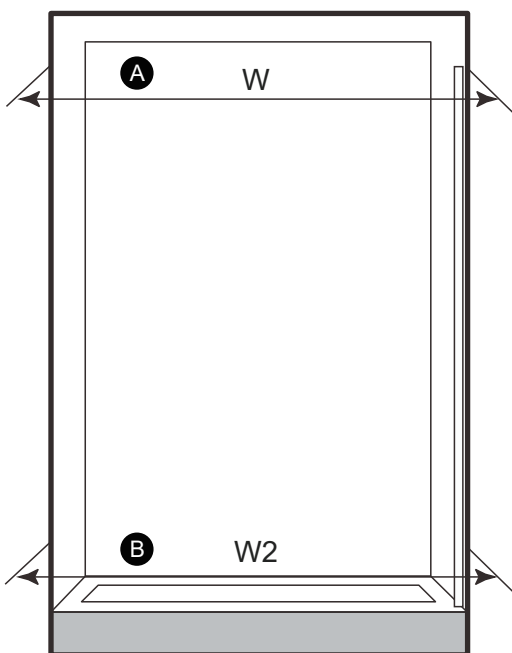
## Step 2 - Measure/cut running rail and aluminium threshold.

### How to cut the running rail

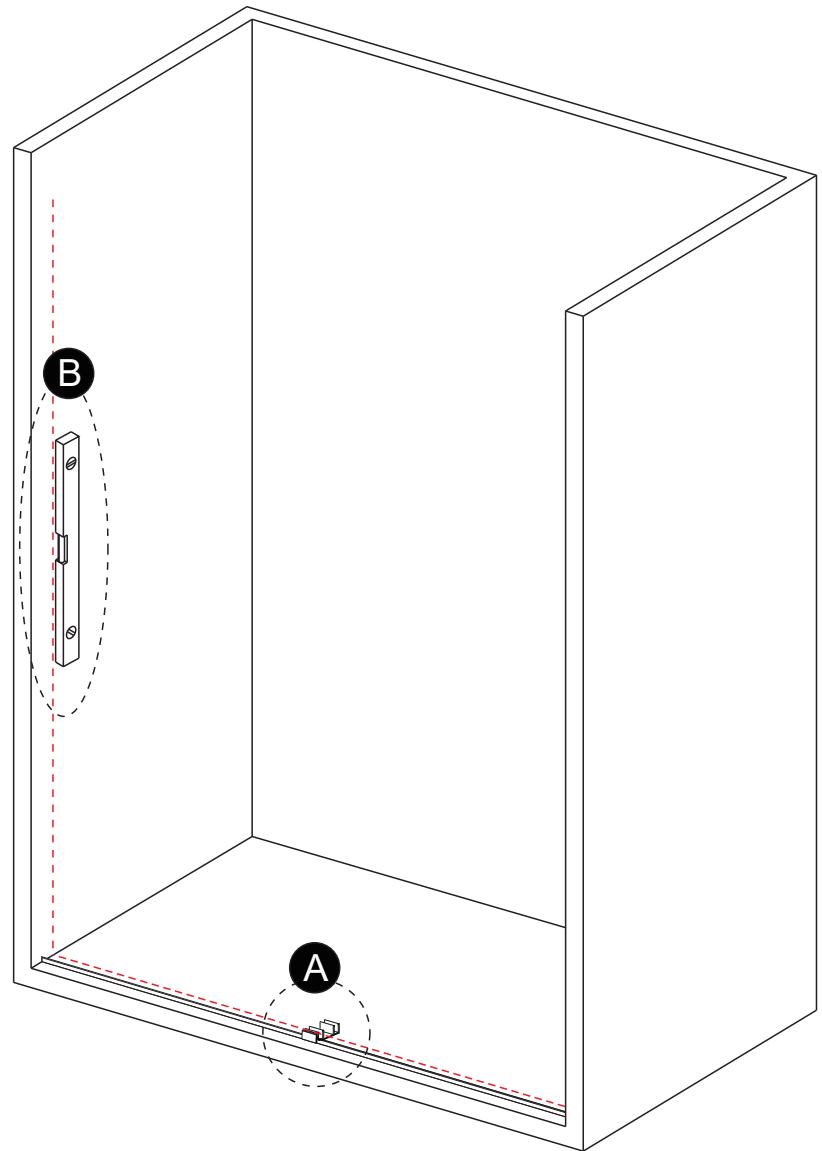
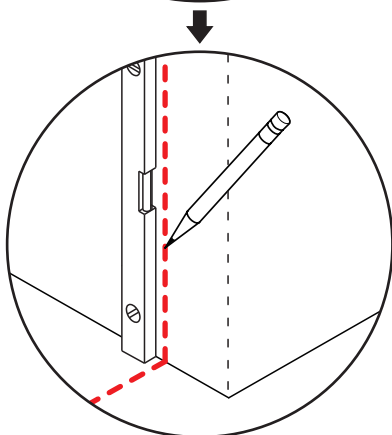
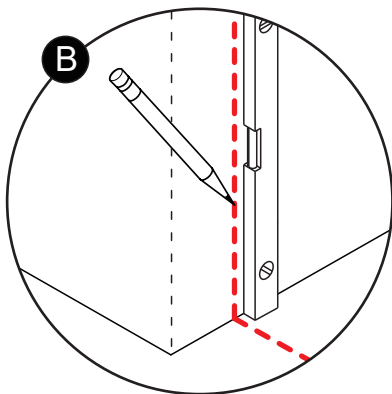
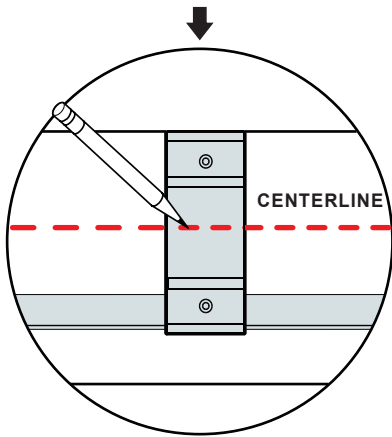
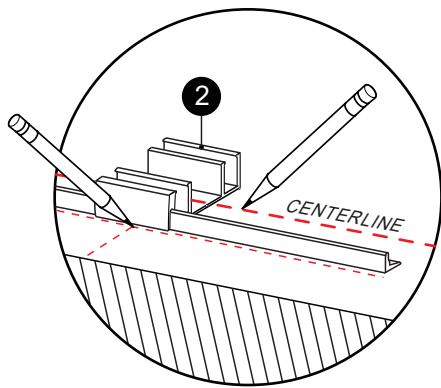
Model Width - Finished Opening(Width) = Cut Off Length

Finished Opening (Width)	46"	47"-48"
Finished Opening (Width)	52"	53"-54"
Finished Opening (Width)	58"	59"-60"
Finished Opening (Width)	64"	65"-66"
Finished Opening (Width)	70"	71"-72"
Finished Opening (Width)	74"	75"-76"
Cut Off Length	1"	Not Cut

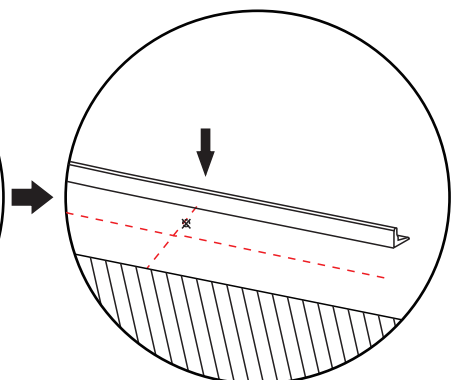
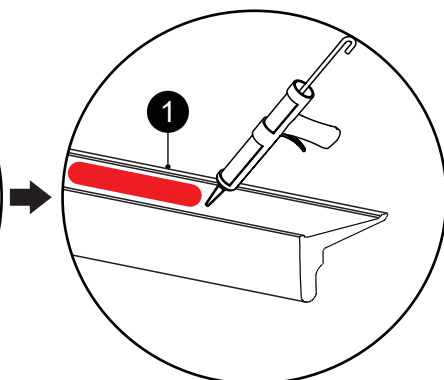
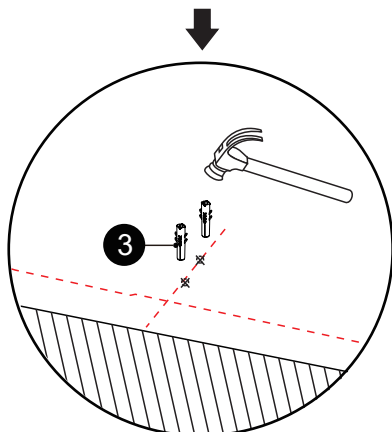
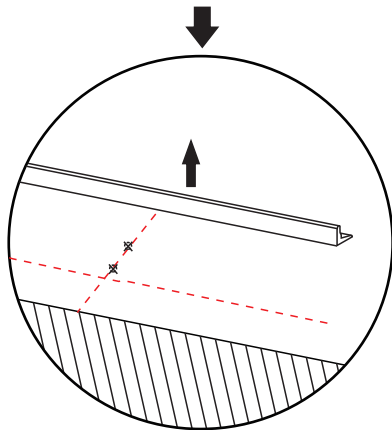
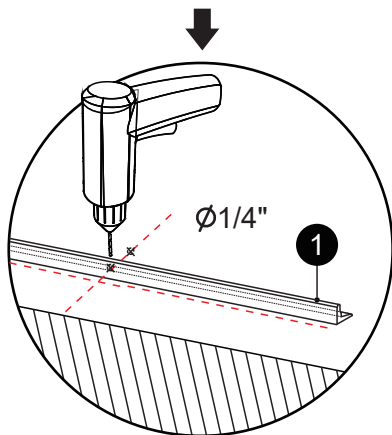
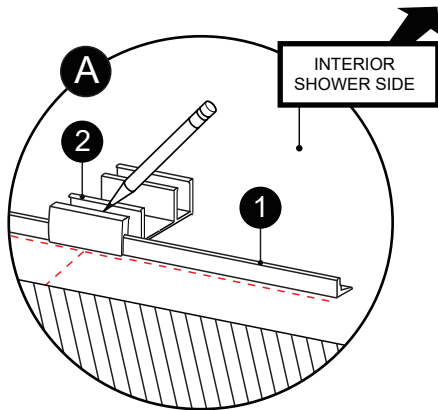
Measure the drip rail with a tape measure. Cut the length according to chart above.



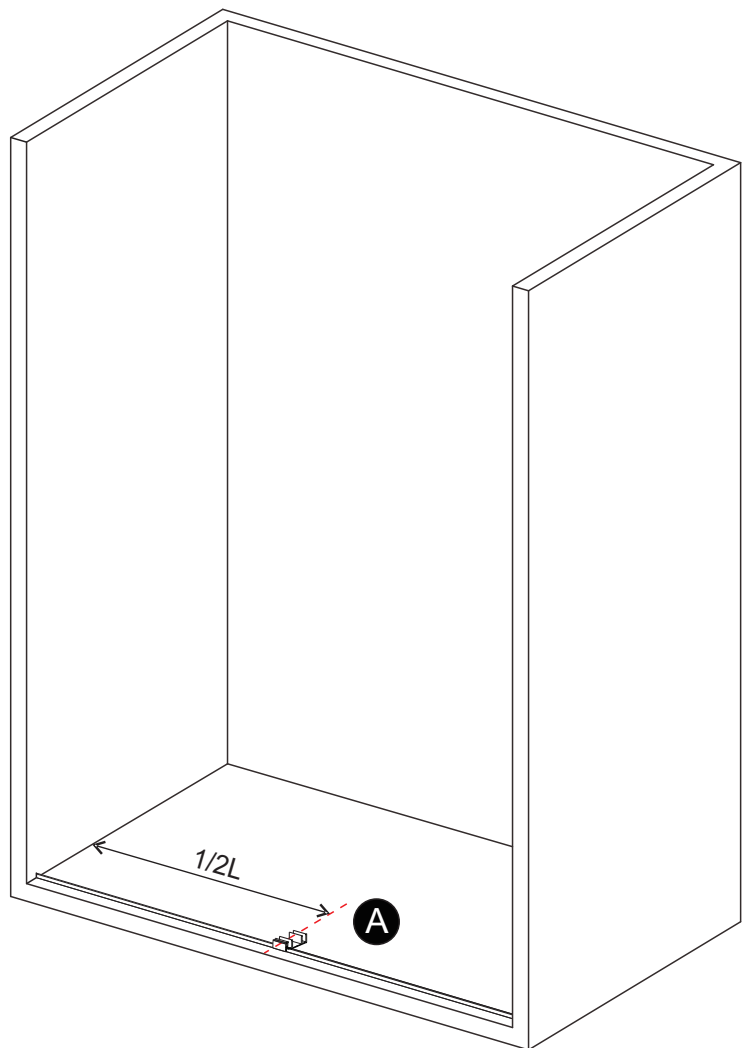
**Step 3 - Find center of ledge from left wall to right wall and mark, then find center of ledge depth and mark, once marked, measure distance from outside of ledge to center of ledge and transfer that measure to far left side/right side of ledge and mark, draw plumb line up left/right wall from marks on ledge.**



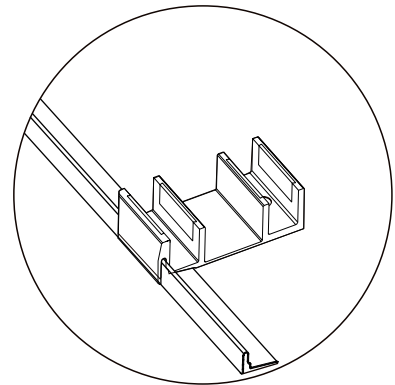
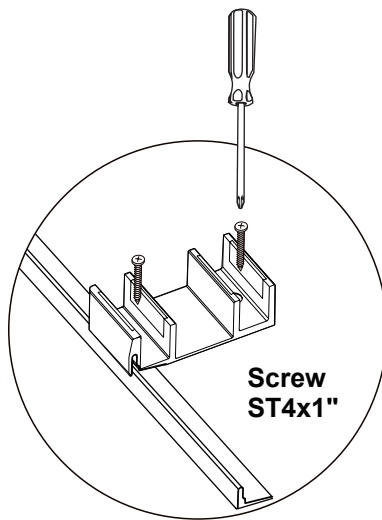
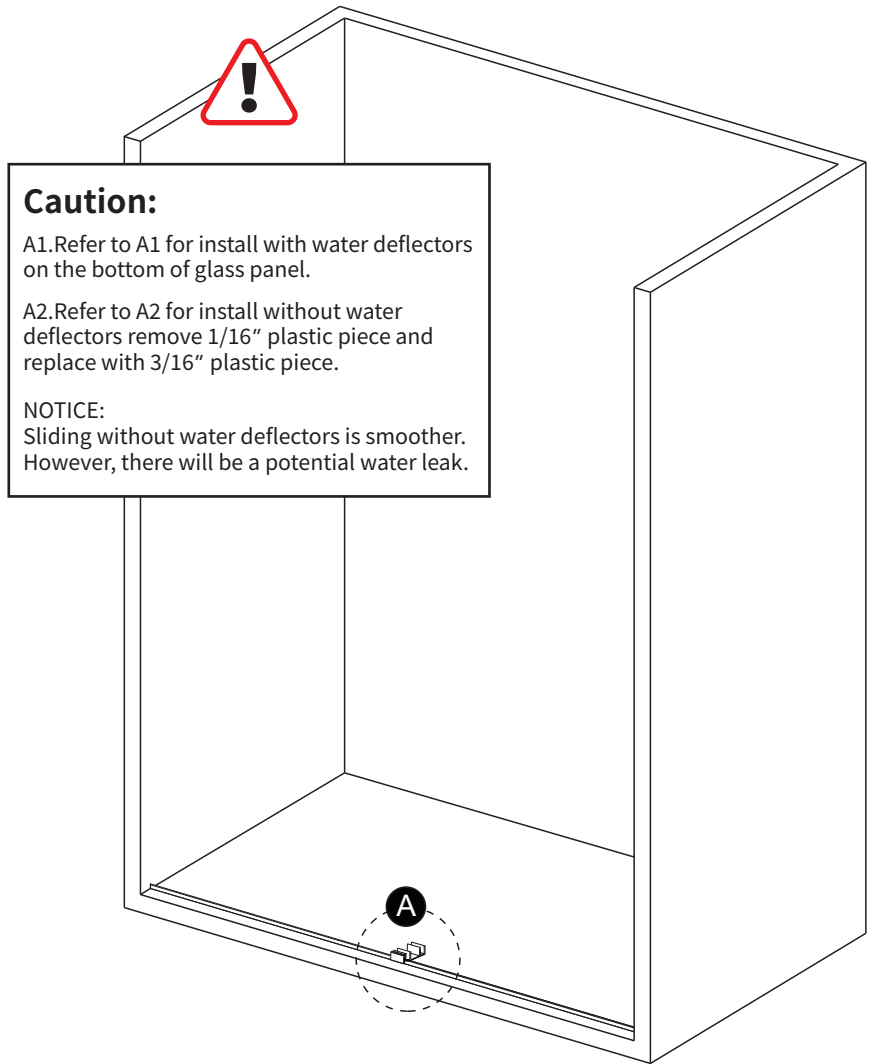
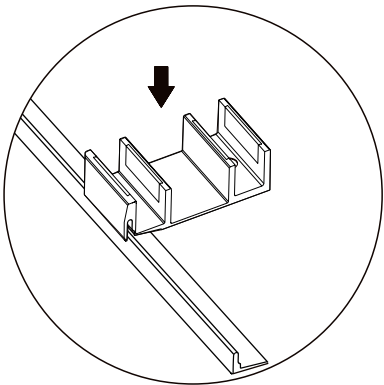
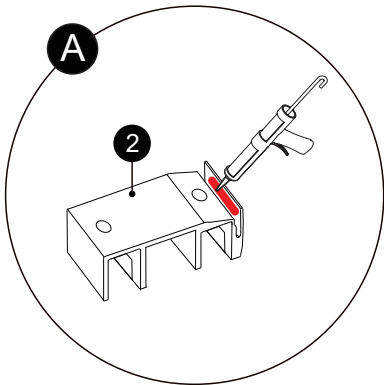
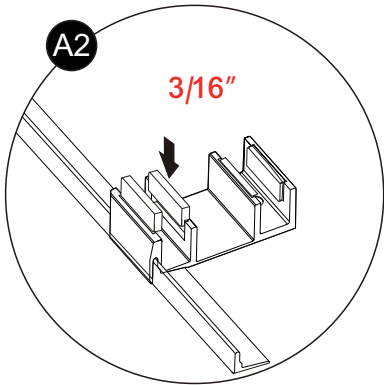
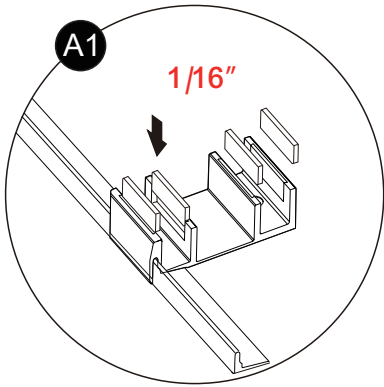
## Step 4 - Install aluminium threshold.



Center the bottom guide and drill the hole.



## Step 5 - Install bottom guide.



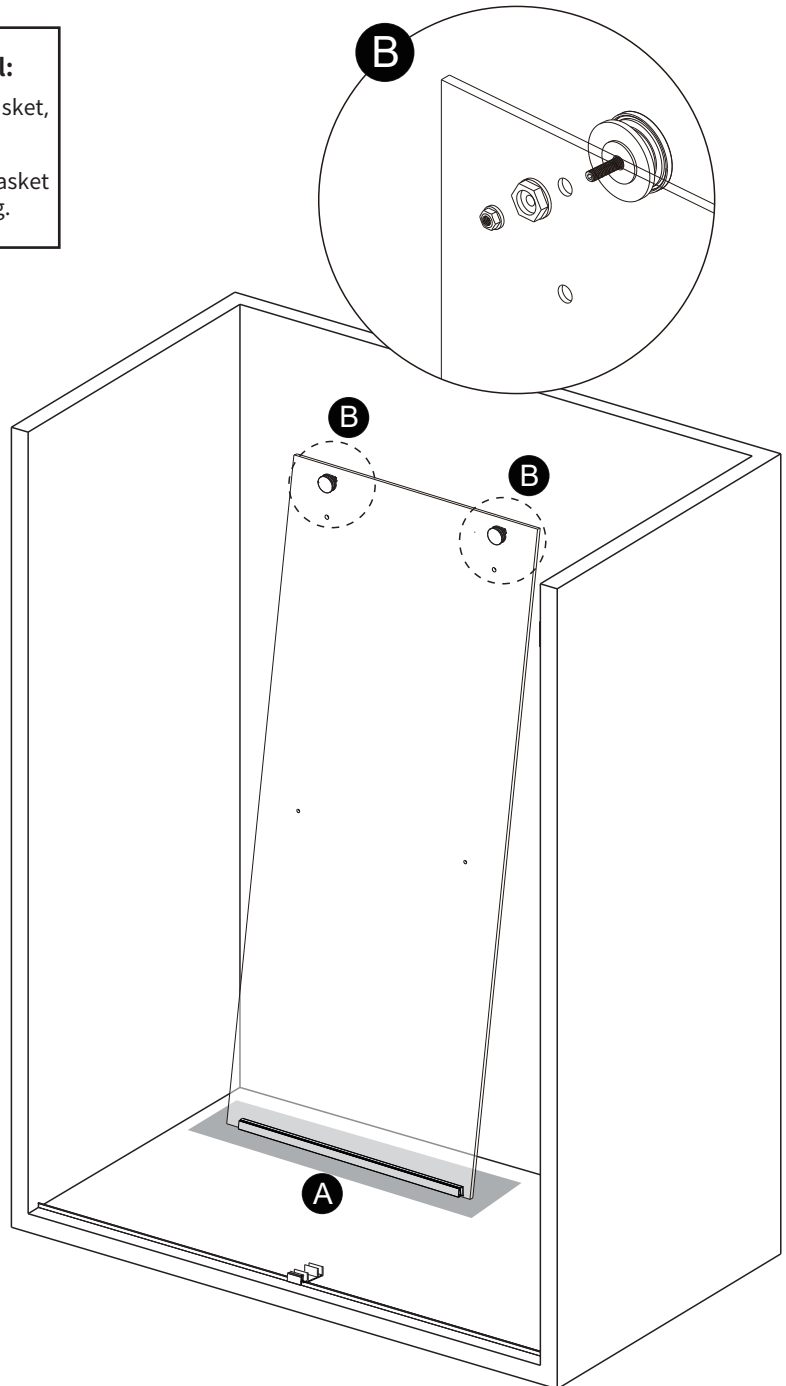
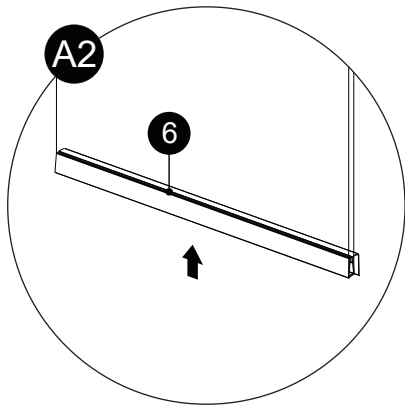
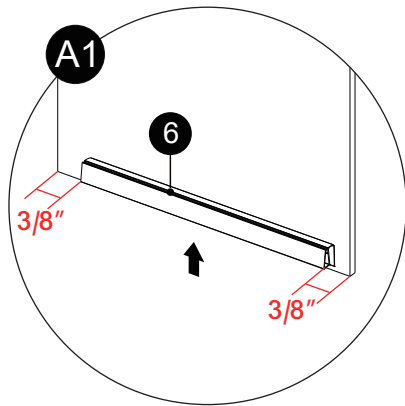
## Step 6 - Install rollers and gasket-B.



### Bottom gasket installation method optional:

Installation Method(A1): cut the length of bottom gasket, leave 3/8" from the left and right of the glass.

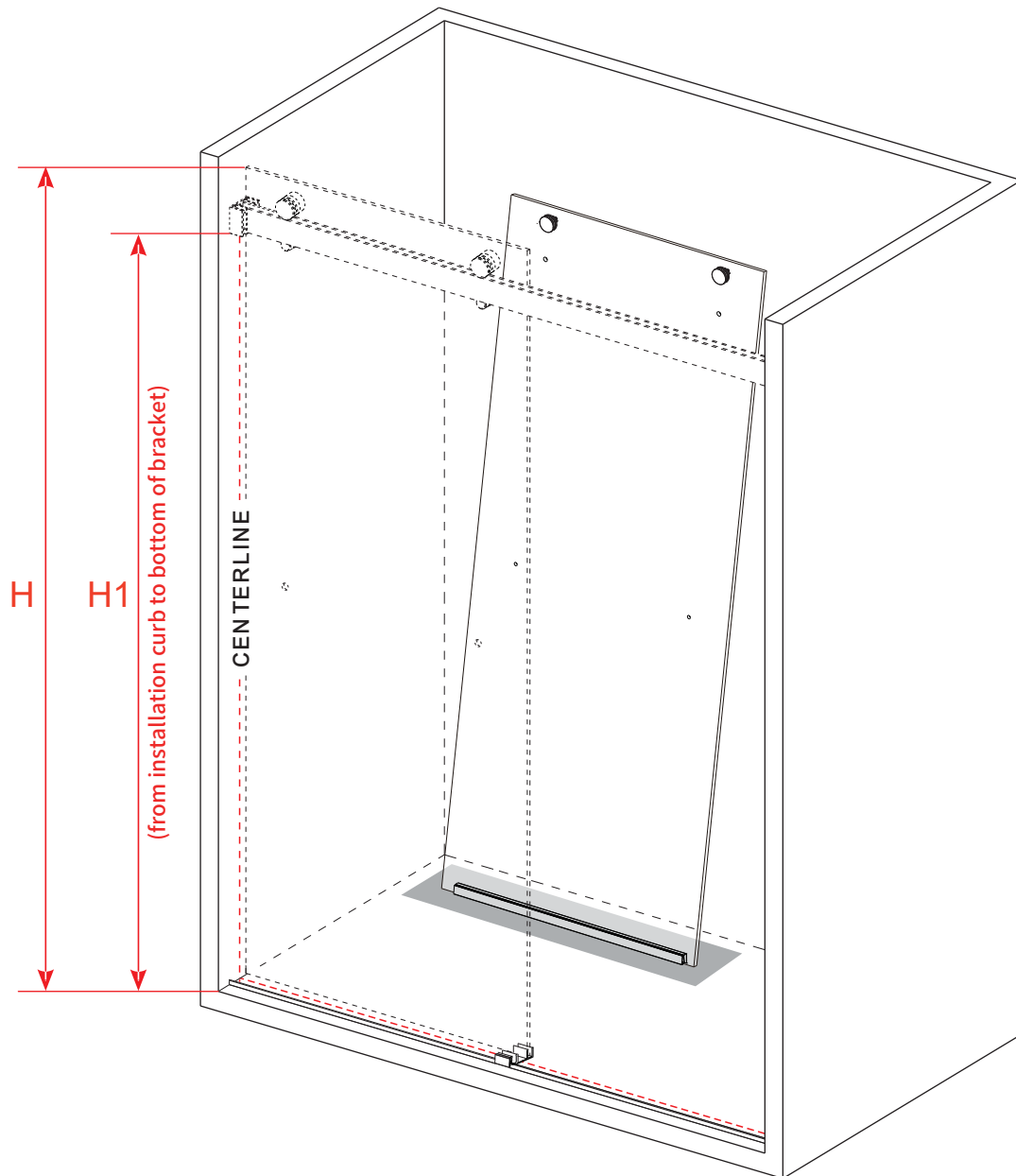
Installation Method(A2): The length of the bottom gasket is aligned with the width of the glass without cutting.



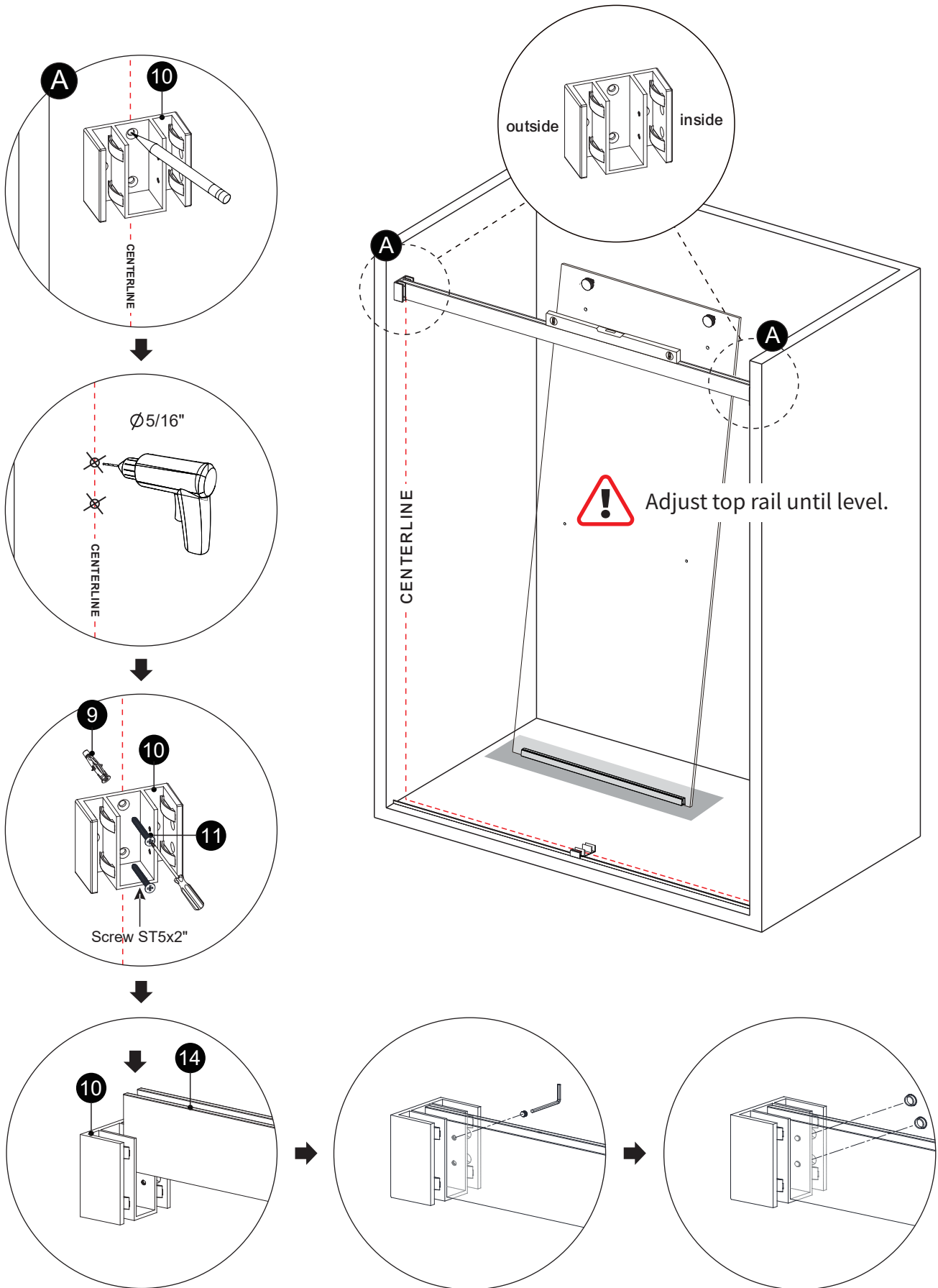
## Step 7 - Measure/mark the installation site of the wall bracket.

**Table**

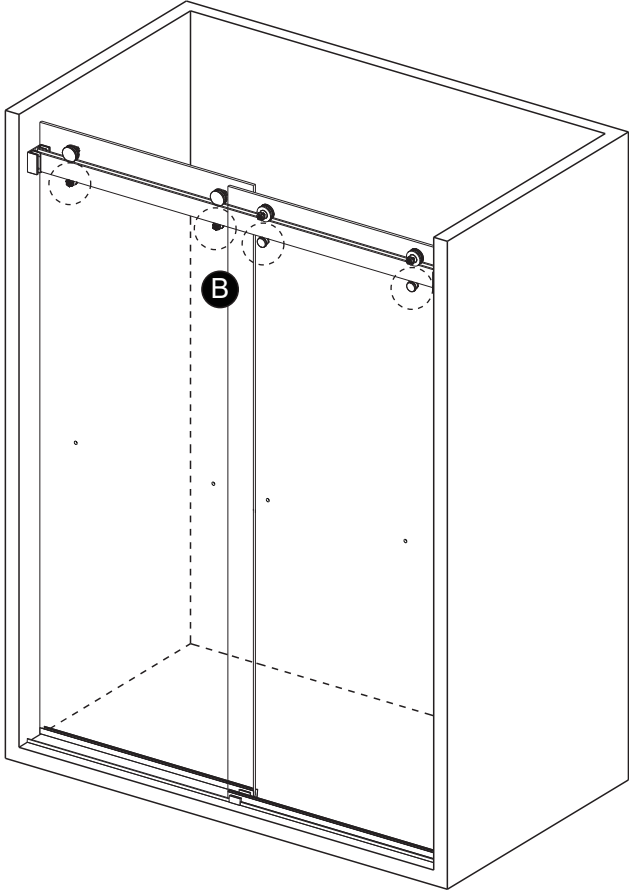
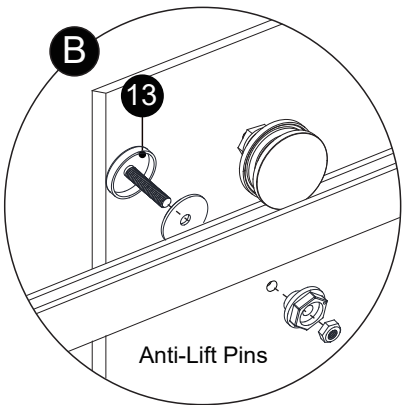
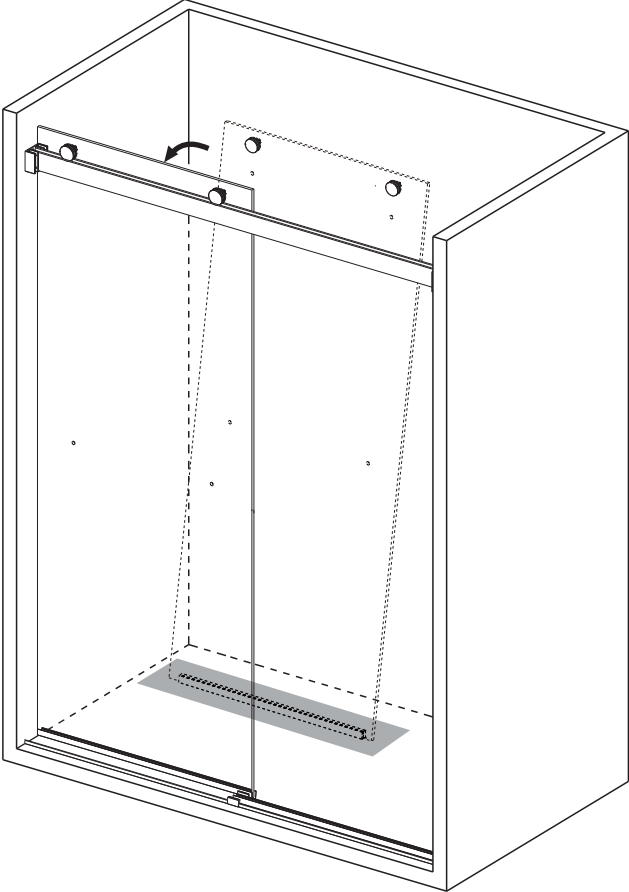
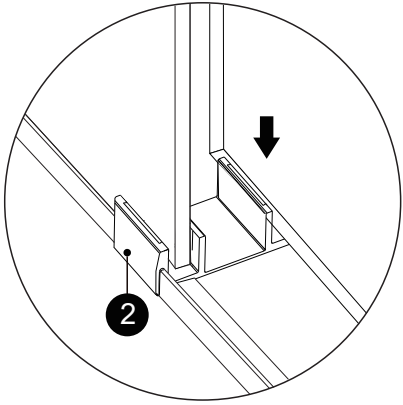
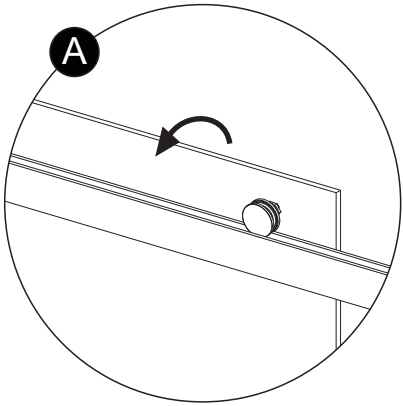
Shower Height	Wall Bracket Location (from installation curb to bottom of bracket)
H	$H1 = H - 4 \frac{7}{8}''$



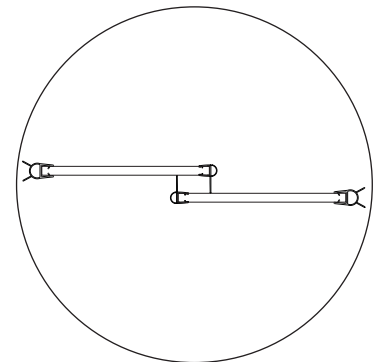
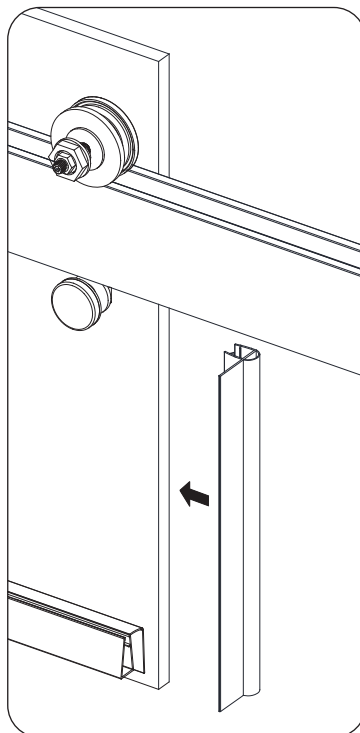
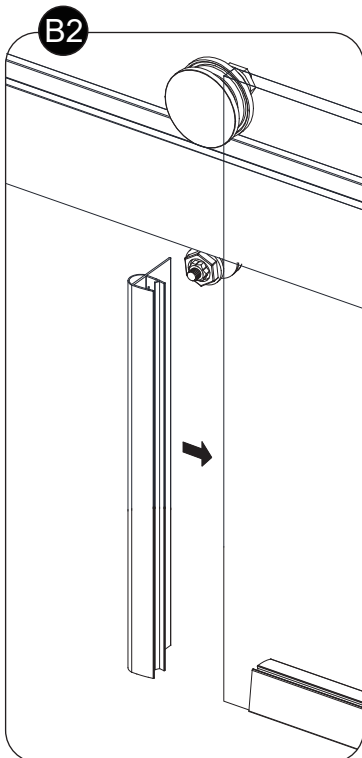
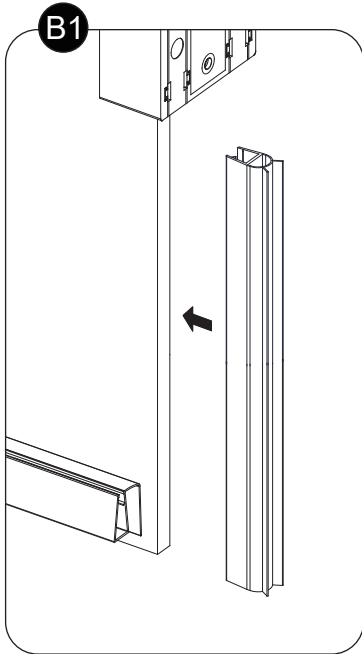
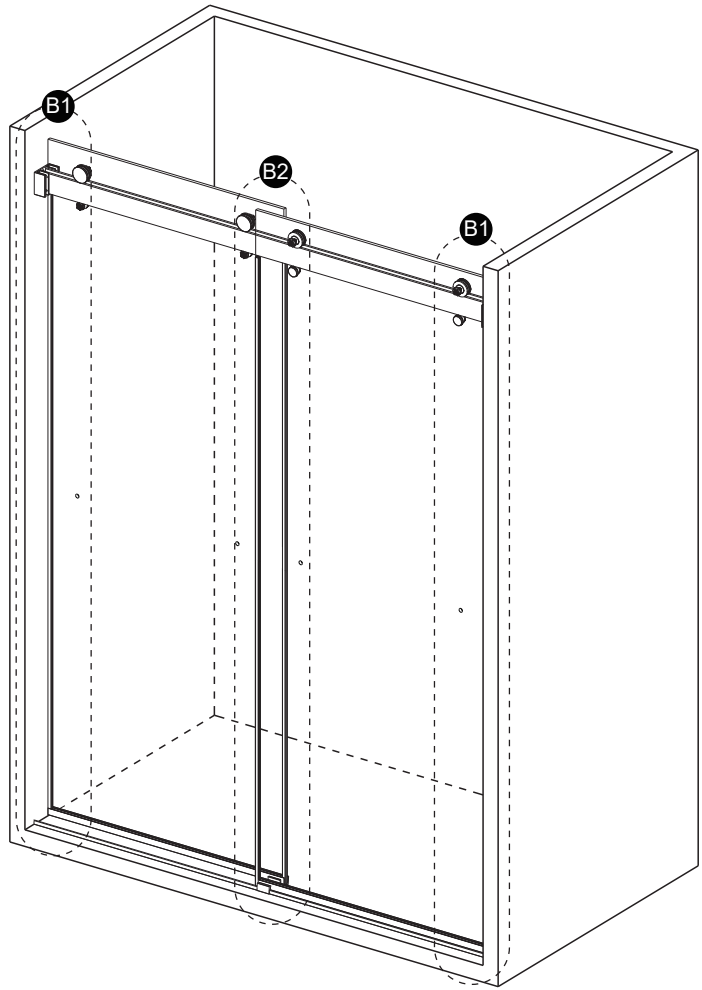
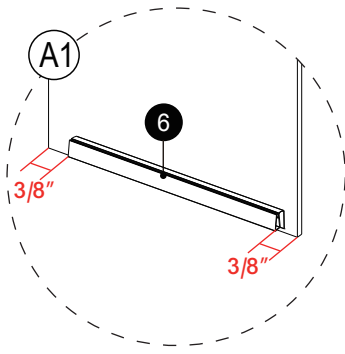
## Step 8 - Install wall bracket and running rail.



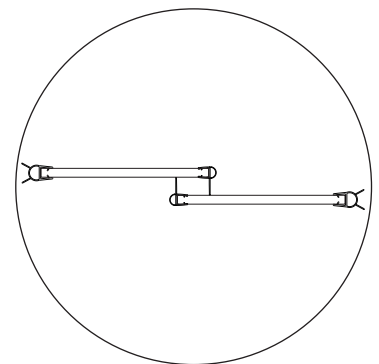
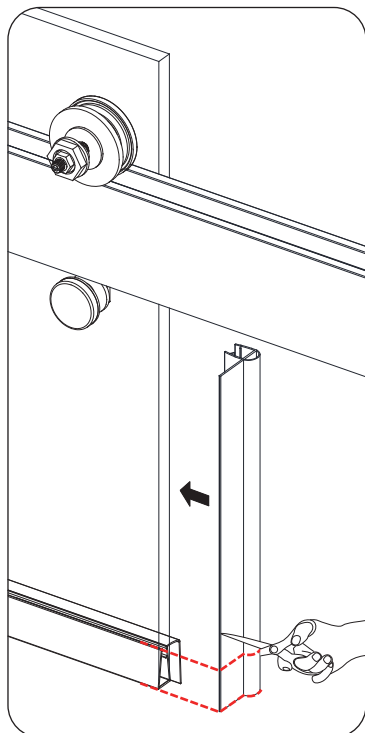
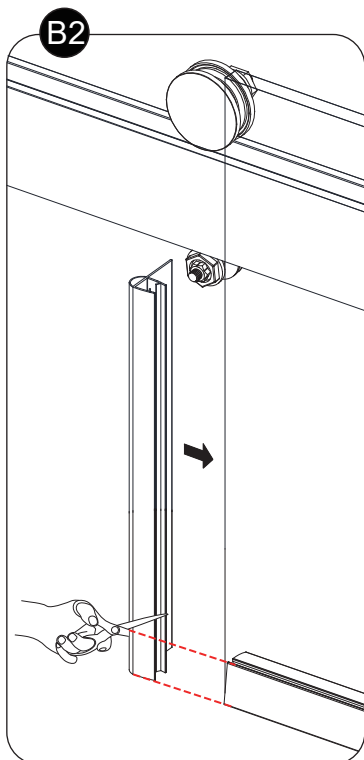
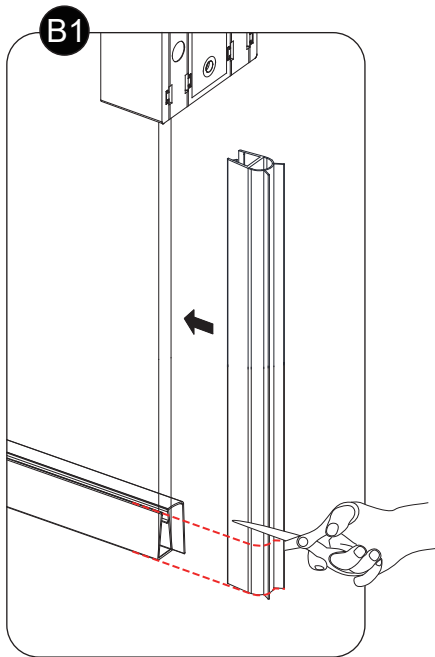
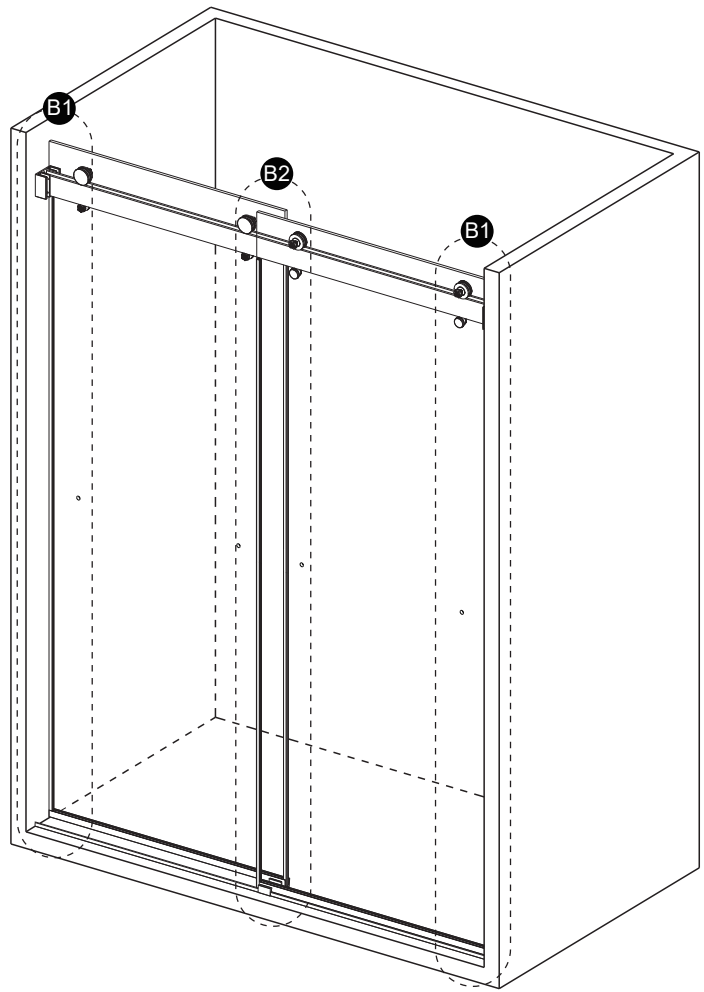
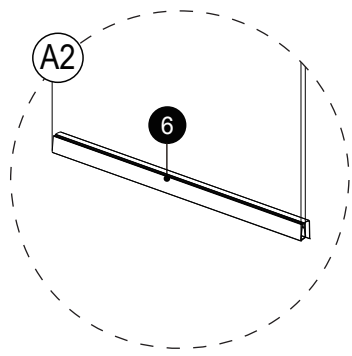
**Step 9 - Hang doors and install anti-lift pins.**



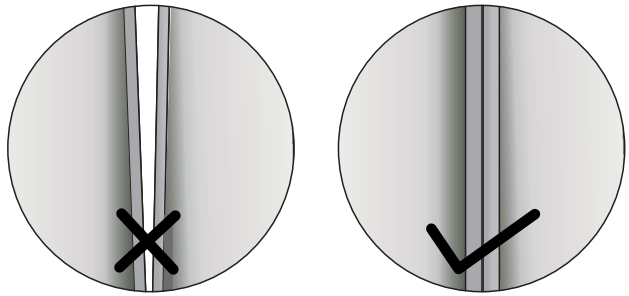
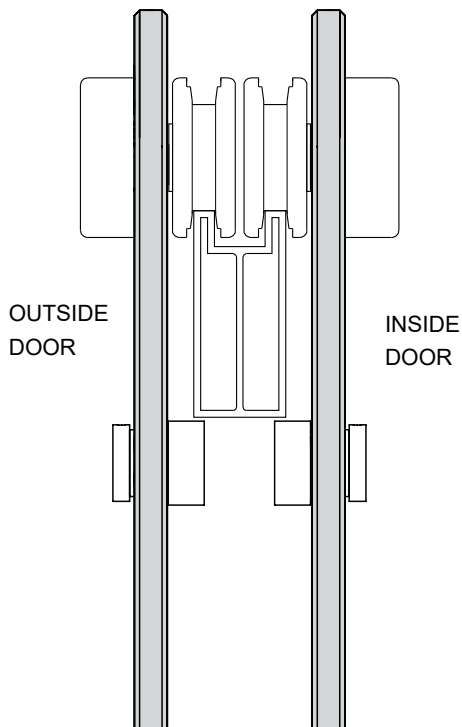
**Step 10A - The installation method of the bottom gasket ⑥ is A1, and the installation method of side gasket is as follows:**



**Step 10B - The installation method of the bottom gasket ⑥ is A2, and the installation method of side gasket is as follows:**

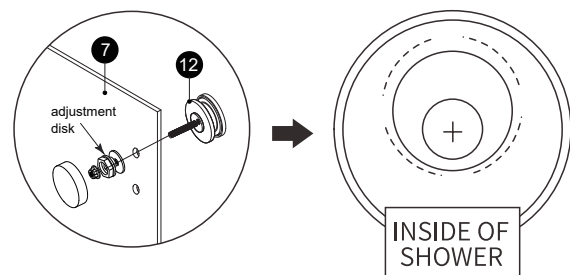
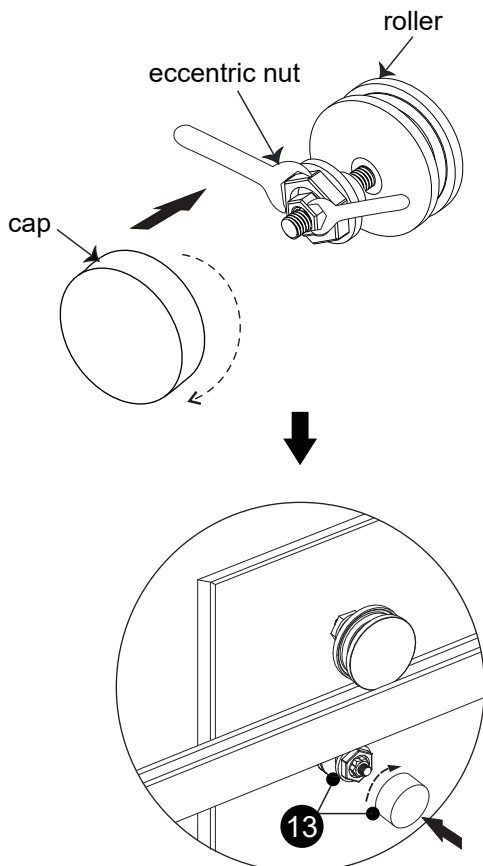


**Step 11 - Adjust doors to walls, mark sure there is no gap between the gasket-A and the wall.**



Carefully slide the door toward the wall and check the door is sliding smoothly.

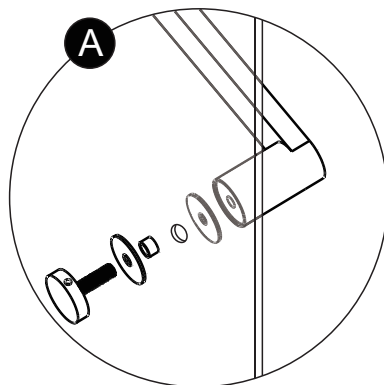
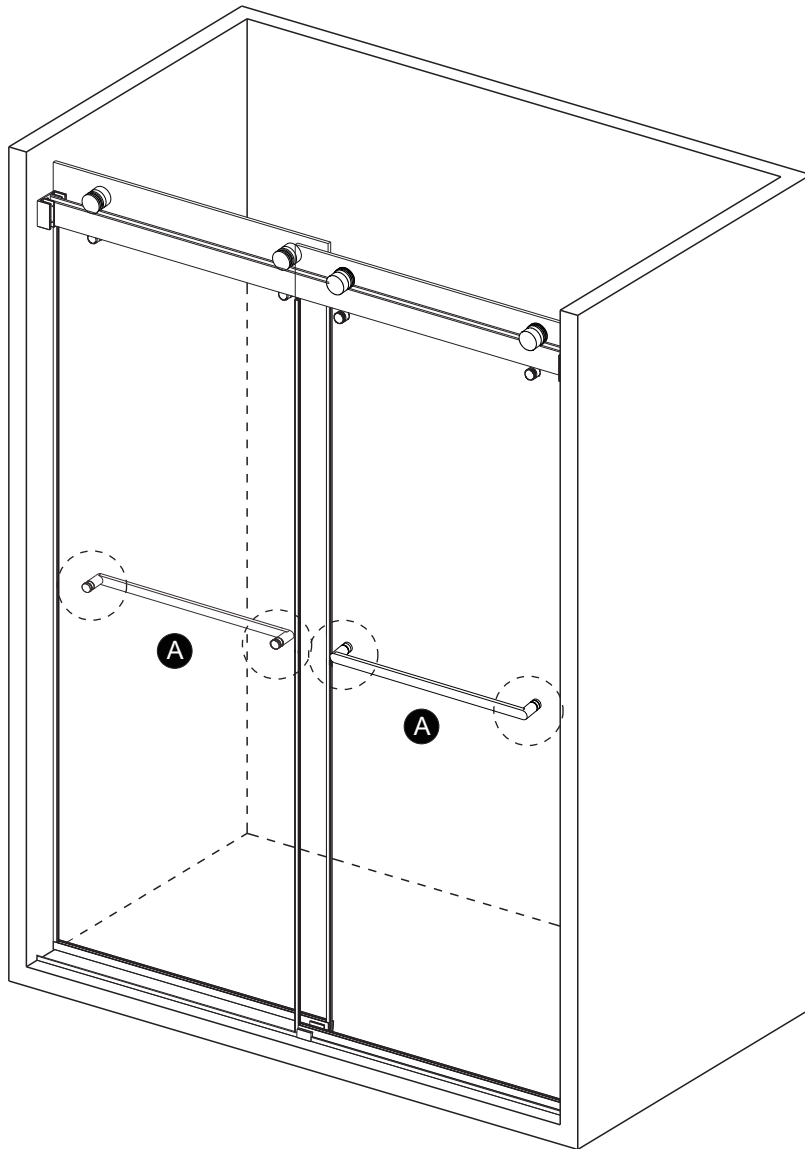
Adjust if necessary using offset in rollers, so that the sliding door is parallel to the tray.



**HOW TO ADJUST**

- Step 1 :** Loosen center bolt with hex wrench
- Step 2 :** Rotate to adjust panel angle with hex wrench
- Step 3 :** Tighten center bolt

**Step 12 - Install towel bars.**



View from inside

**Step 13 - Silicone guide and water guard(interior and exterior sides).**



**24 HOURS**

**Allow 24 hours for silicone to dry before use.**

