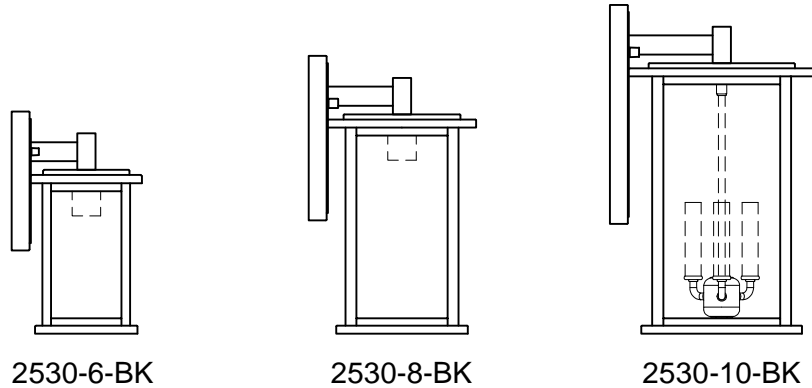


INSTALLATION INSTRUCTIONS

WARNING: TO AVOID RISK OF ELECTRICAL SHOCK, BE SURE TO SHUT OFF POWER WHILE INSTALLING OR SERVICING THIS FIXTURE.

NOTE: Before installing, consult local electrical codes for wiring and grounding requirement.



1. Shut off the power at the circuit breaker and remove existing fixture, including the mounting hardware.
2. Carefully unpack your new fixture and lay out all the parts on a clear area. Be careful not to lose any small parts necessary for installation.
3. Install the mounting plate onto the outlet box by strap mounting screw.
4. Electrical Connections:
 - Refer to chart left of the figure for correct connections. Wire supply wires to fixture wires accordingly.
 - Connect grounding wire from supply source to fixture ground wire with connector.
 - Never connect ground wire to black or white to black or white power supply wires.
 - Never connect ground wire to black or white power supply wires.
5. Fasten the fixture through the mounting screw on the mounting plate with the knob and waterproof washer.
6. Install the bulb (not included). Please follow the wattage label located on the fixture body. Do not exceed the recommended wattage.

CAUTION: With silicone caulking compound, caulk completely around where the back plate meets with the wall surface to prevent water from seeping into the outlet box.

INSTALLATION METHOD

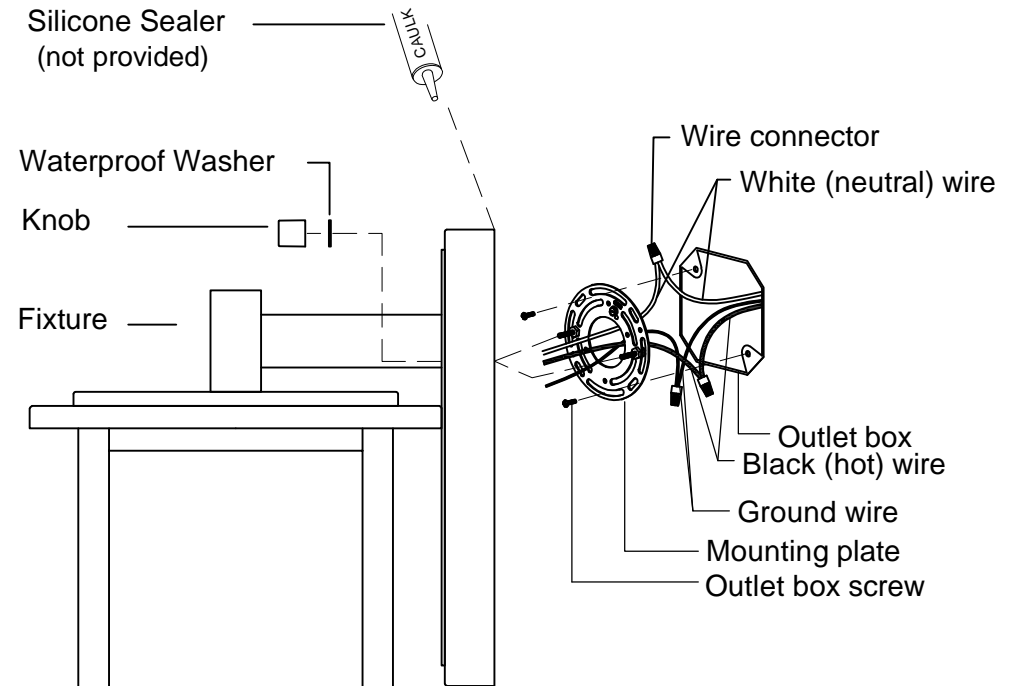


Fig.1

Fixture Wires	House Wires
Black or Smooth	Black or (Hot)
Fixture Wires	House Wires
White or Ribbed	White or (Neutral)
Fixture Wires	
Bare or (Ground)	