

# ASSEMBLY GUIDE



**Important - Please read these instructions fully before starting assembly**



### **SAFETY AND CARE ADVICE**



### **NO POWER TOOLS**

#### **SAFETY AND CARE ADVICE**

- Check you have all the components and tools listed.
- Remove all fittings from the plastic bags and separate them into their groups.
- We do not recommend the use of power drills/drivers for inserting screws, as this could damage the unit. Only use hand screwdrivers and Allen keys.
- Keep children and animals away from the work area, small parts could cause choking if swallowed.
- Make sure you have enough space to layout the parts before starting.
- Assemble the item as close to its final position (in the same room) as possible.
- Do not overtighten the nuts to avoid causing damage to the threads.
- Only clean using a damp cloth and mild detergent, do not use bleach or abrasive cleaners.
- From time to time check that there are no loose screws on this unit
- This product should not be discarded with household waste. Take to your local authority waste disposal centre

## IMPORTANT INFORMATION



30 MINUTE  
BUILD



ONE  
PERSON



MAXIMUM  
CAPACITY  
120Kg

PLEASE CHECK CAREFULLY AND MAKE SURE YOU HAVE ALL FITTINGS AND TOOLS LISTED BELOW BEFORE YOU START.

### LIST OF PARTS

No	Description	Qty
1	Chair Back	2
2	Front Legs	2
3	Apron	4
4	Seat	2

### HARDWARE LIST

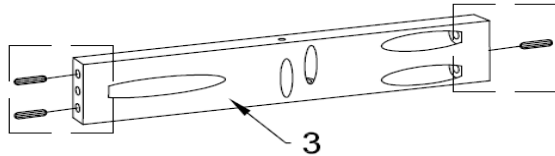
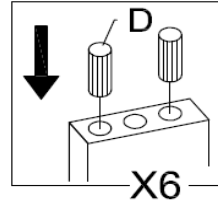
No	Description	Qty
A	JCBC 	12
B	Spring Washer 	12
C	Wood Screw 	6
D	Wood Dowel 	12
E	Allen Key 	1

**NOTE:** The quantities above are the correct amount to complete the assembly. In some cases more fittings may be supplied than are required.

## STEP 1

Use a clean, flat, soft surface to avoid any bumps or scratches.

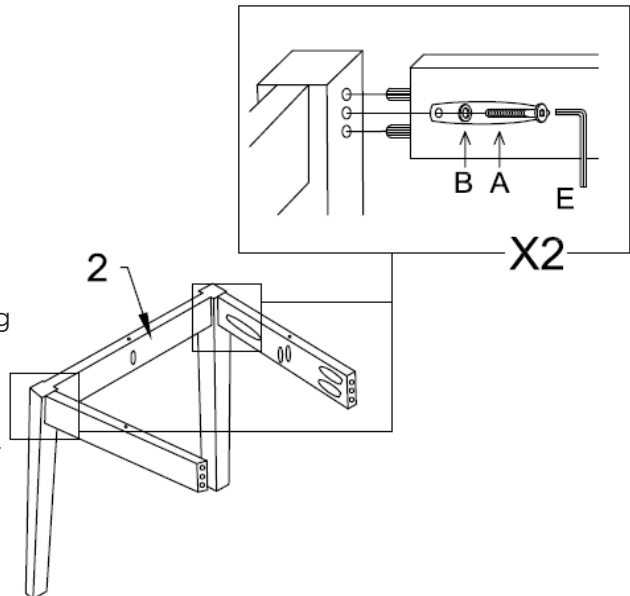
First add the x12 wooden dowels [D] into the seat x4 chair 'aprons' [3]. 2 dowels in one end of each apron and 1 dowel in the other.



## STEP 2

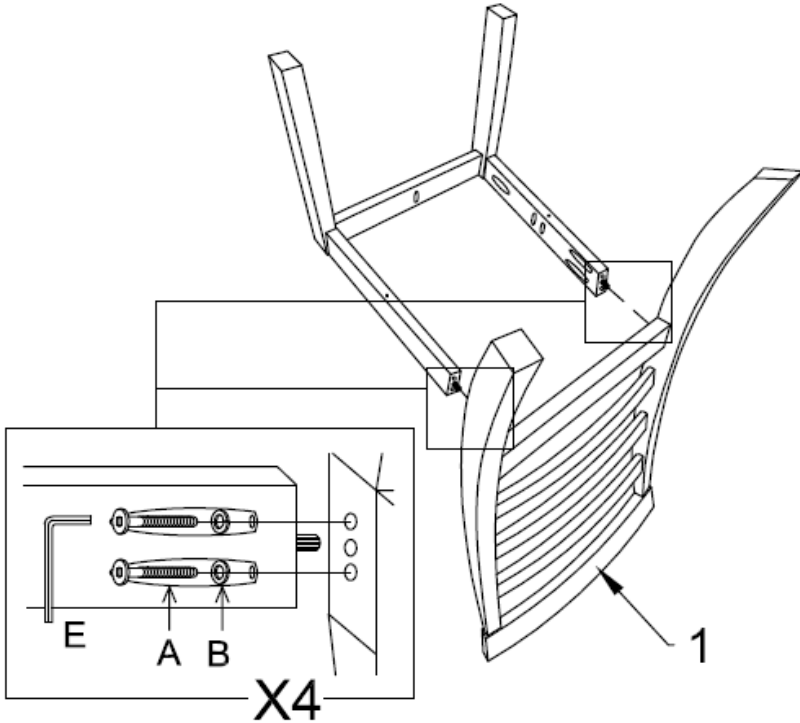
Connect 2x front legs [2] to 2x seat 'aprons' [3]. Align the pre-drilled holes and slot the wood dowels into position.

Secure each front chair leg with 1x spring washer [B] followed by 1 x bolt [A]. Tighten with Allen key [E]. Be careful not to over-tighten the bolts.



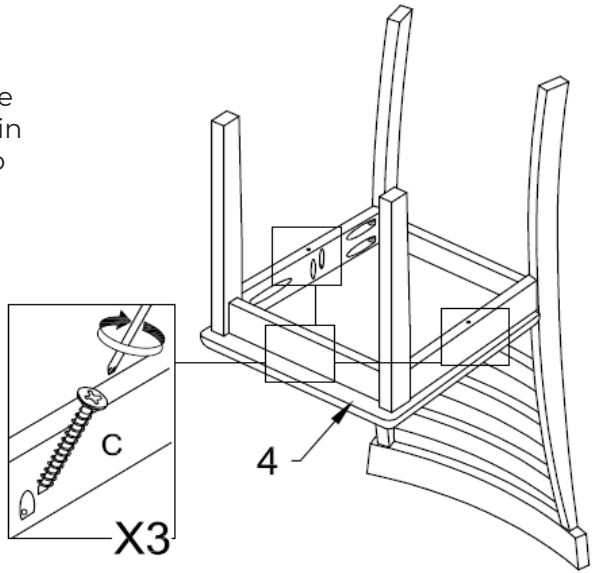
### STEP 3

Attach the chair back [1]. Align the pre-drilled holes and slot the wooden dowels into place. Secure with 2x spring washers [B] followed by 2x bolts [A] on each side - 4 into total. Tighten with Allen key [E] but be careful not to over-tighten.



## STEP 4

Secure and stabilise the chair legs by screwing in 3x wood screws [C] into the pre-drilled holes.



## STEP 5

Turn chair over so it rests on its legs. Check stability. Your chair is now ready to use!

