









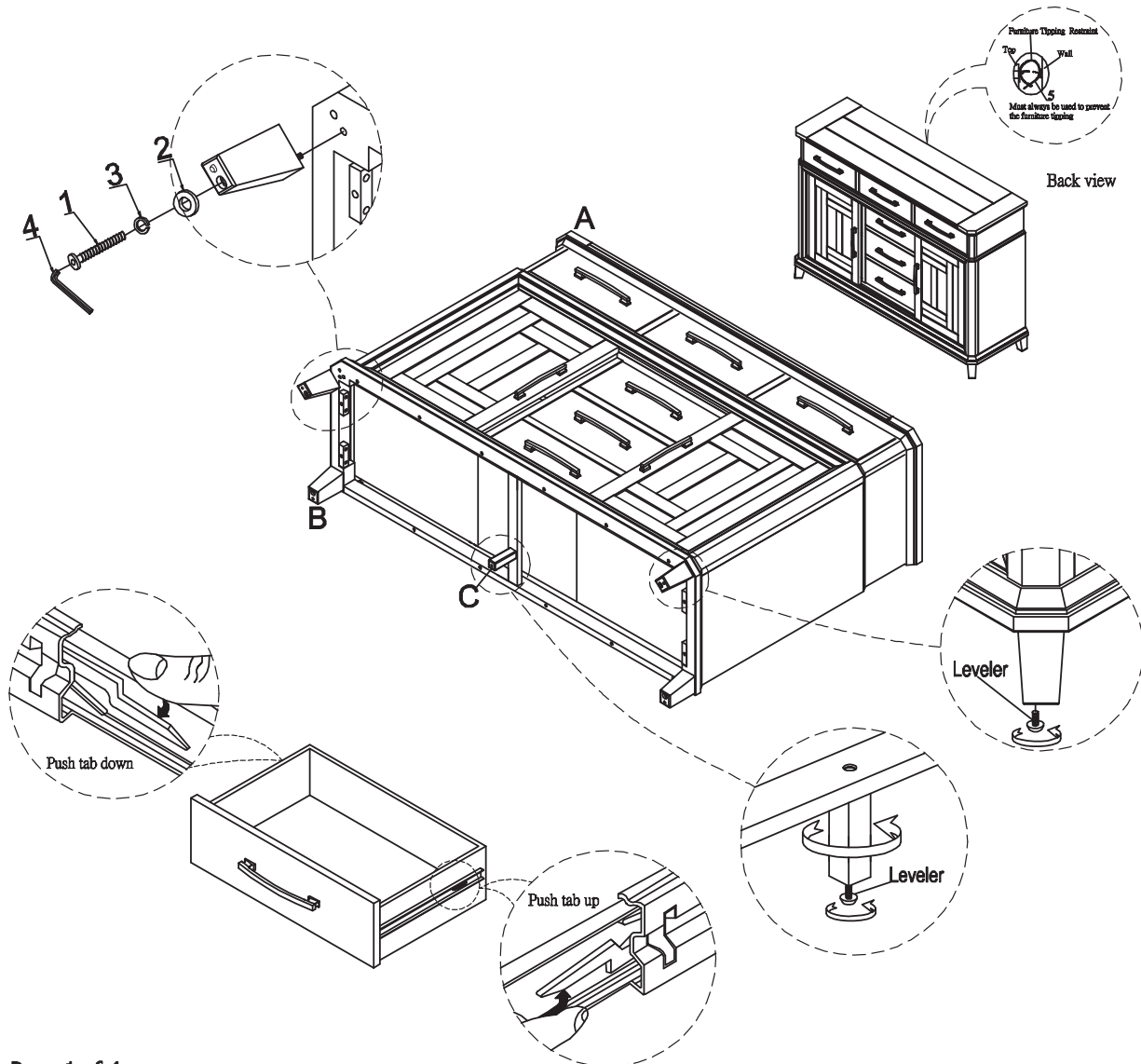
ASSEMBLY INSTRUCTION

DESCRIPTION 6 DRAWER 2 DOOR CHESSER

Thank you for purchasing this quality product. Be sure to check all packing materials carefully for small parts which may have some loose inside the carton during shipment. Identify and count all parts and compare with the parts List Below:

NO.	Hardware List	Q'TY
1	 JCBC Bolt 5/16" x L120mm	04
2	 Flat Washer 5/16" (Ø16)	04
3	 Spring Washer 5/16" (Ø12)	04
4	 4*59mm Allen Key	01
5	 Tipping restraints	01

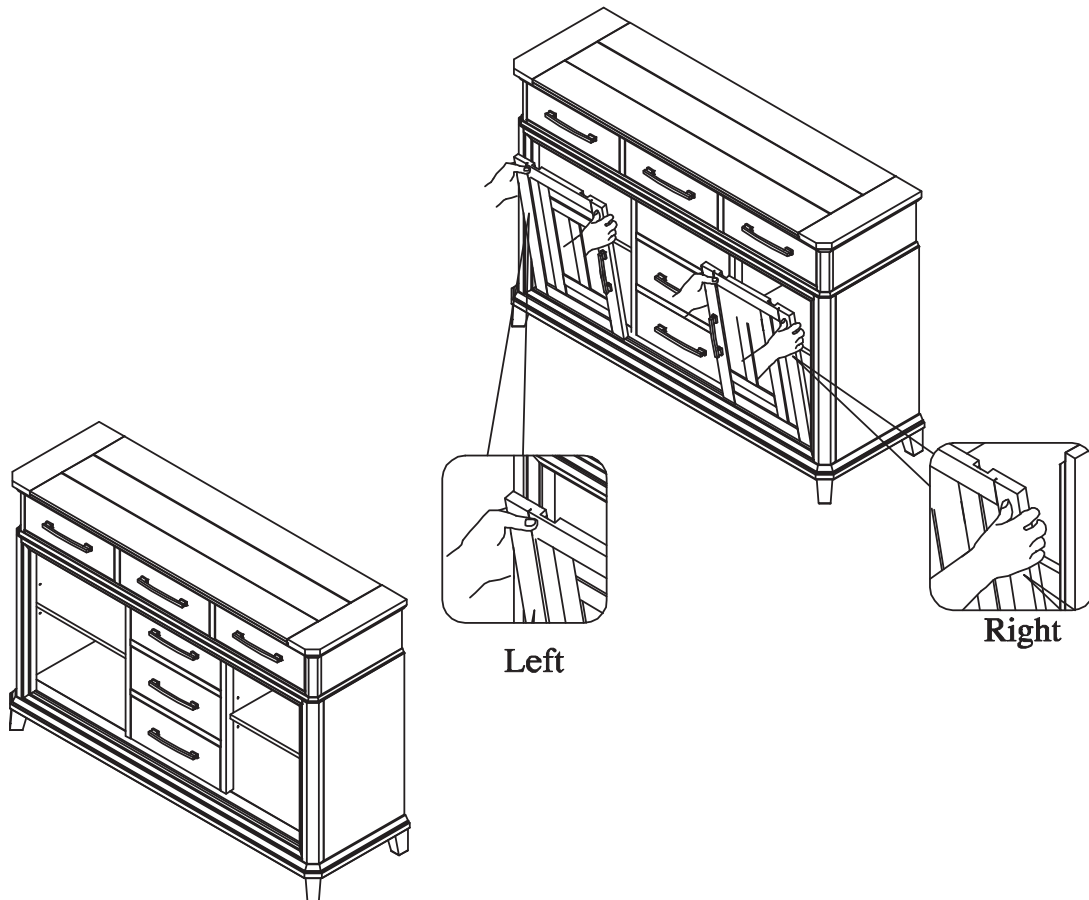
NO.	Parts List	Q'TY
A	 6 Drawer 2 Door Chesser	01
B	 Legs	04
C	 Leg Support	01



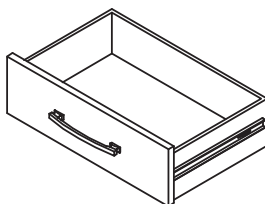
Assembly instructions

DESCRIPTION 6 DRAWER 2 DOOR CHESSER

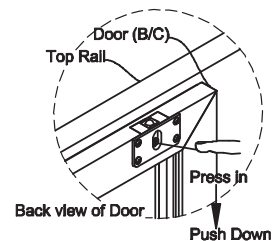
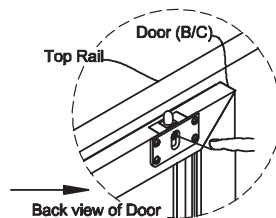
Thank you for purchasing this quality product. Be sure to check all packing materials carefully for small parts which may have some loose inside the carton during shipment. Identify and count all parts and compare with the parts List Below:



TO REMOVE THE SLIDING DOOR INTO THE CASE, PLEASE FOLLOW BELOW STEPS:



STEP 1 : Following Page 1 to take the center drawer out for getting more space for your forefingers

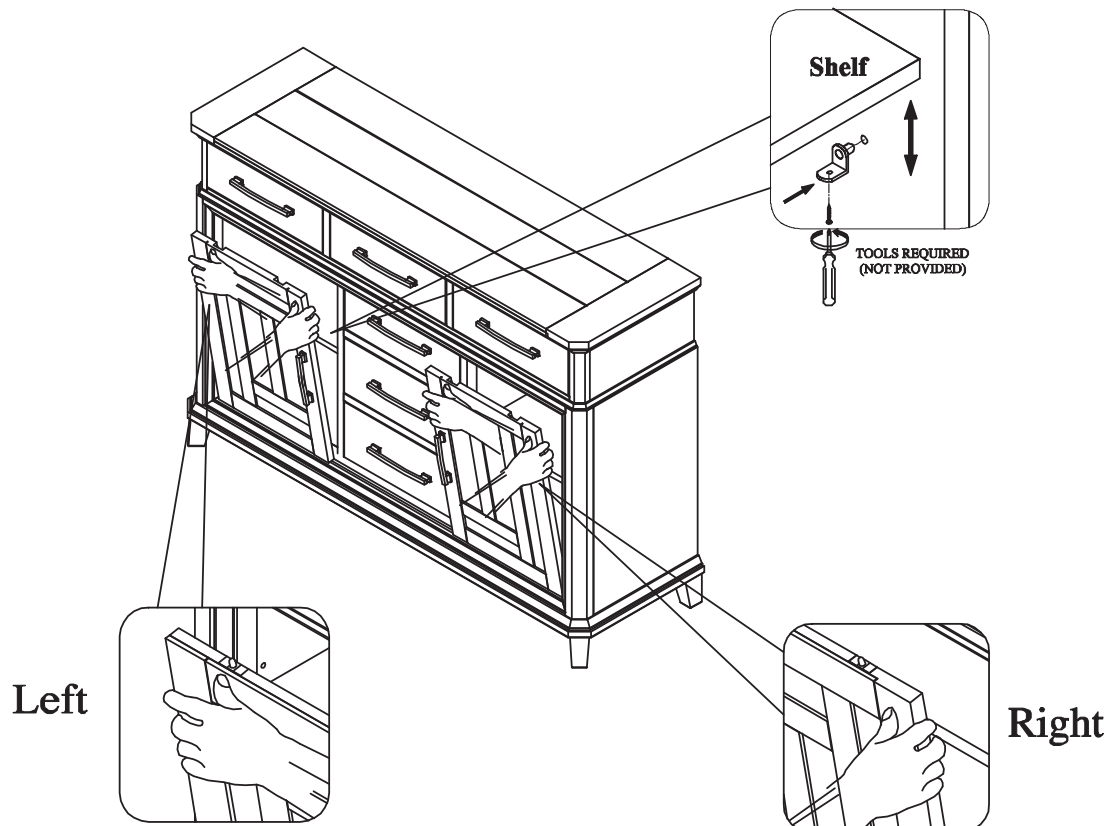


STEP 2 : Use your forefingers to press in the buttons at the side of the Latches and then Press down the buttend of door. If the latches are at lower position already, please take out the door.

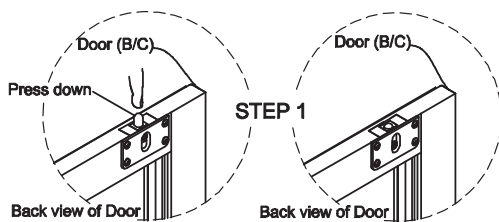
Assembly instructions

DESCRIPTION 6 DRAWER 2 DOOR CHESSER

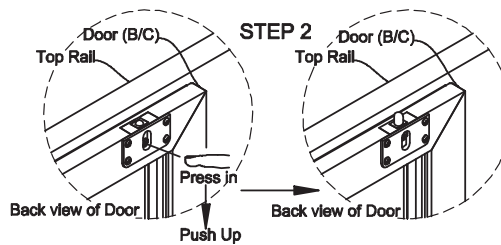
Thank you for purchasing this quality product. Be sure to check all packing materials carefully for small parts which may have some loose inside the carton during shipment. Identify and count all parts and compare with the parts List Below:



TO ASSEMBLE THE SLIDING DOOR INTO THE CASE, PLEASE FOLLOW BELOW STEPS:



STEP 1: Press down the top latches of door. If the latches are at lower position already, please go to Step 2.



STEP 2: Use your forefingers to press in the buttons at the side of the Latches so that the Latches go up into the U-Track.

Assembly instructions

DESCRIPTION 6 DRAWER 2 DOOR CHESSER

Thank you for purchasing this quality product. Be sure to check all packing materials carefully for small parts which may have some loose inside the carton during shipment. Identify and count all parts and compare with the parts List Below:

PLEASE DON'T FORGET TO ASSEMBLE THE DRAWER BACK INTO THE CASE WHEN INSTALLING SLIDING DOOR COMPLETED, PLEASE FOLLOW BELOW STEPS:

