

Assembly Instructions

Modern Sofa Loveseat with USB Ports

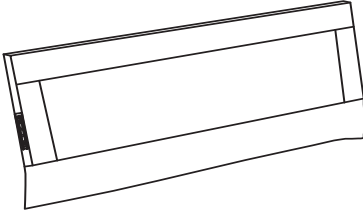
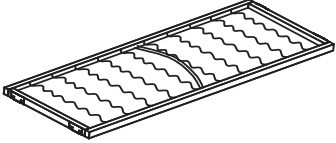
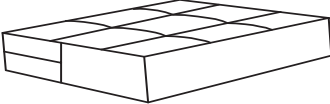
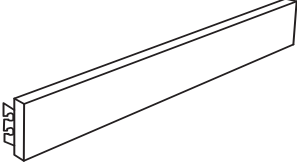
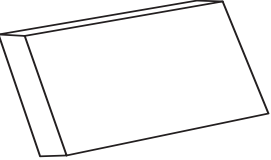


Note:

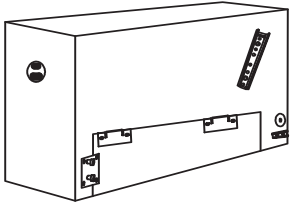
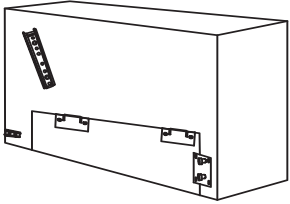

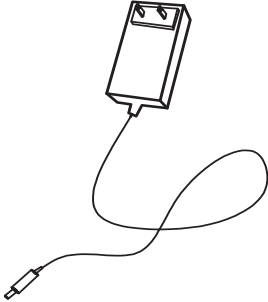
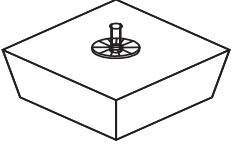
- 1. Please confirm all parts correct before assemble***
- 2. Plug power cord into outlet before using USB port charging function***
- 3. If you have Any questions, feel free to contact us.***

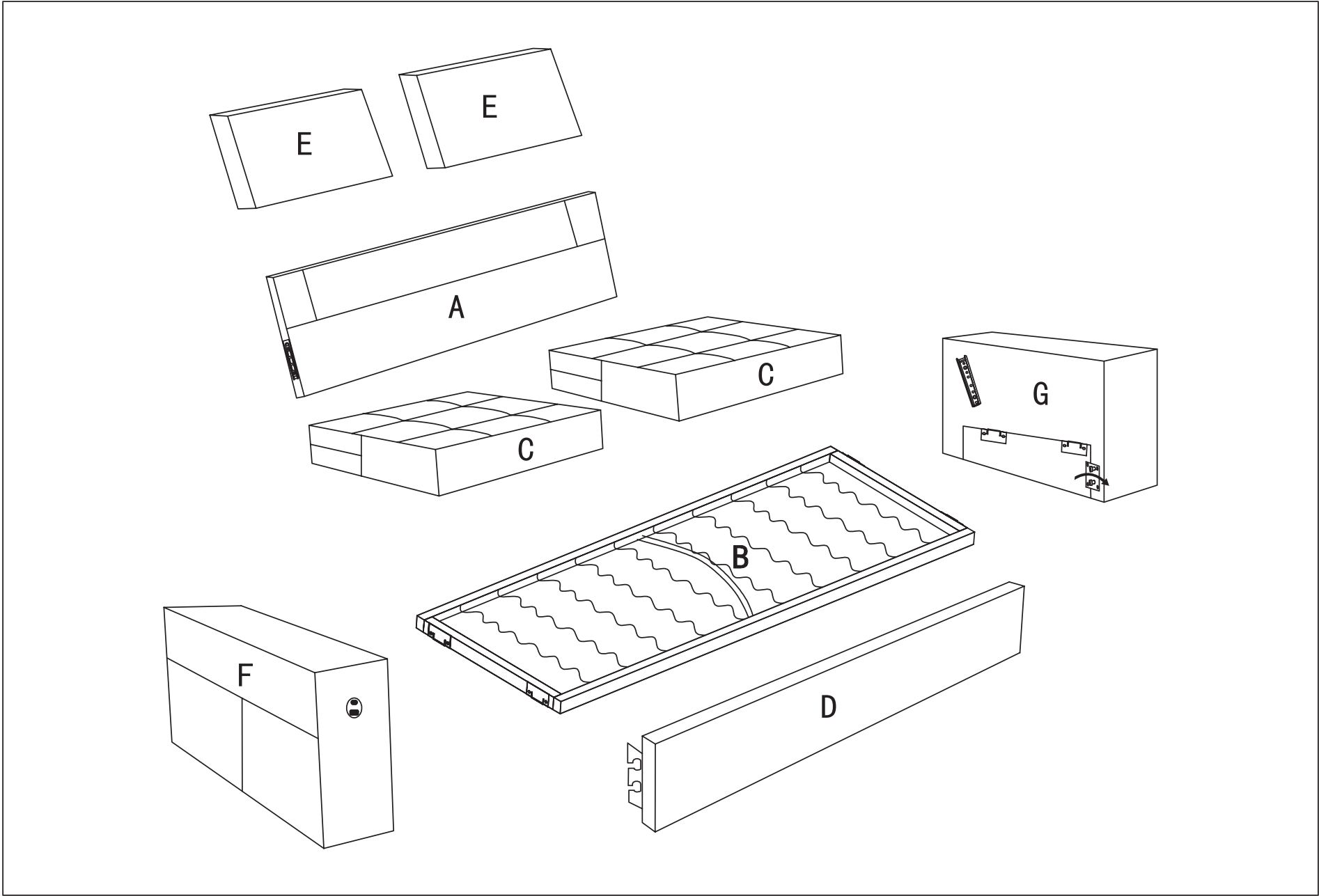
PART LIST

BOX-A

| | | | | |
|---|---|--|---|---|
| <p>A</p>  <p>x1</p> | <p>B</p>  <p>x1</p> | <p>C</p>  <p>x2</p> | <p>D</p>  <p>x1</p> | <p>E</p>  <p>x2</p> |
| <p>Back bracket</p> | <p>Seat frame</p> | <p>Seat cushion</p> | <p>Couch Front Panel</p> | <p>Back cushion</p> |

BOX-B

| | | | | |
|---|---|---|--|---|
| <p>F</p>  <p>x1</p> | <p>G</p>  <p>x1</p> | <p>H</p>  <p>x1</p> | <p>I</p>  <p>x1</p> | <p>J</p>  <p>x4</p> |
| <p>Armrest L/R</p> | <p>Armrest L/R</p> | <p>Middle leg</p> | <p>Power cord</p> | <p>Feet</p> |

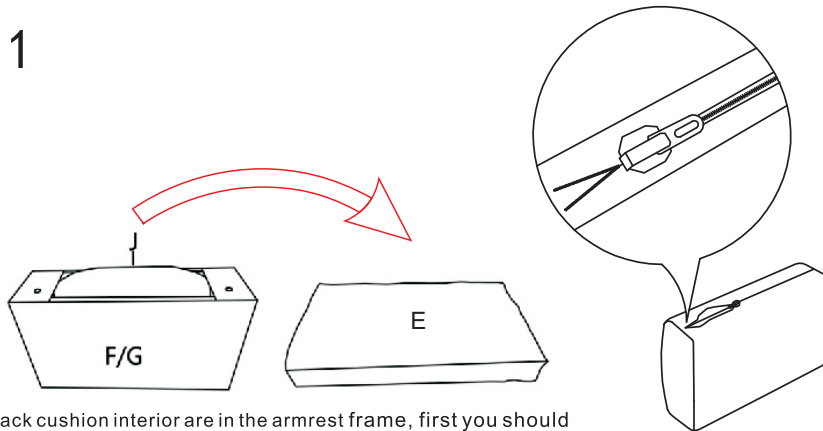


Step 1. Take out the back cushion interiors from the Left Armrest(F) and Right Armrest(G), then put them into the back cushion covers.

Step 2. Place Middle Leg(H) into the hole, which is the midpoint of the side of the Seat Frame(B)

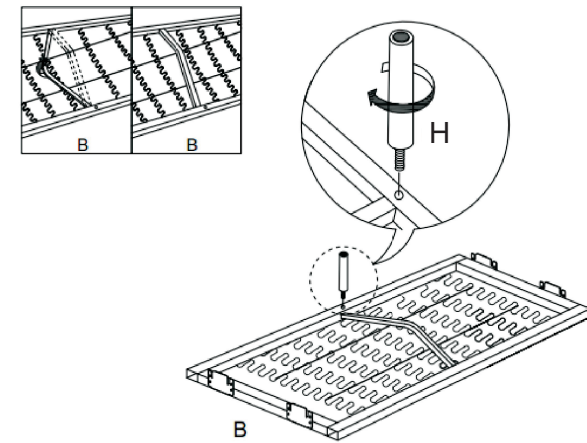
Step 3. Place the sofa feet(J) at the bottom of the armrest.

1

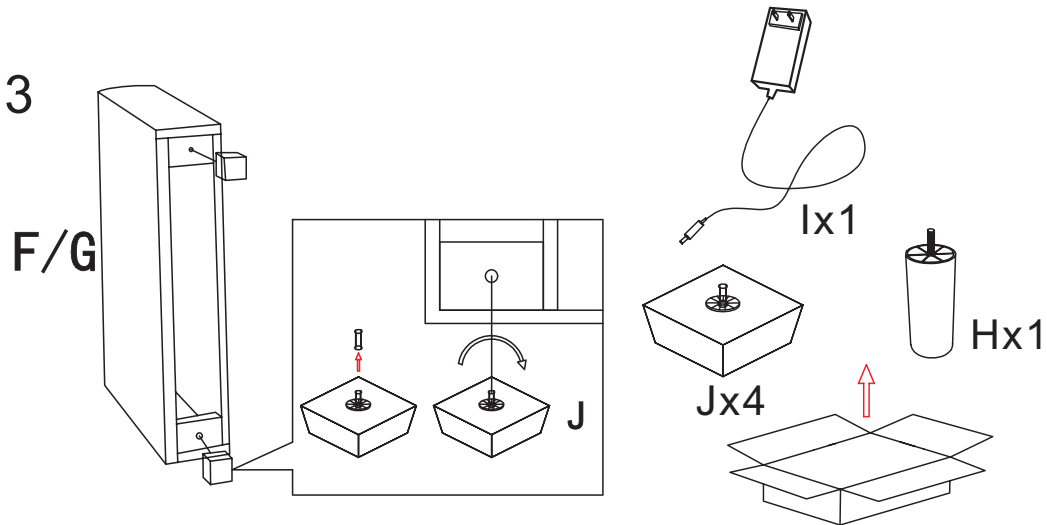


Back cushion interior are in the armrest frame, first you should take out then tuck it in cover

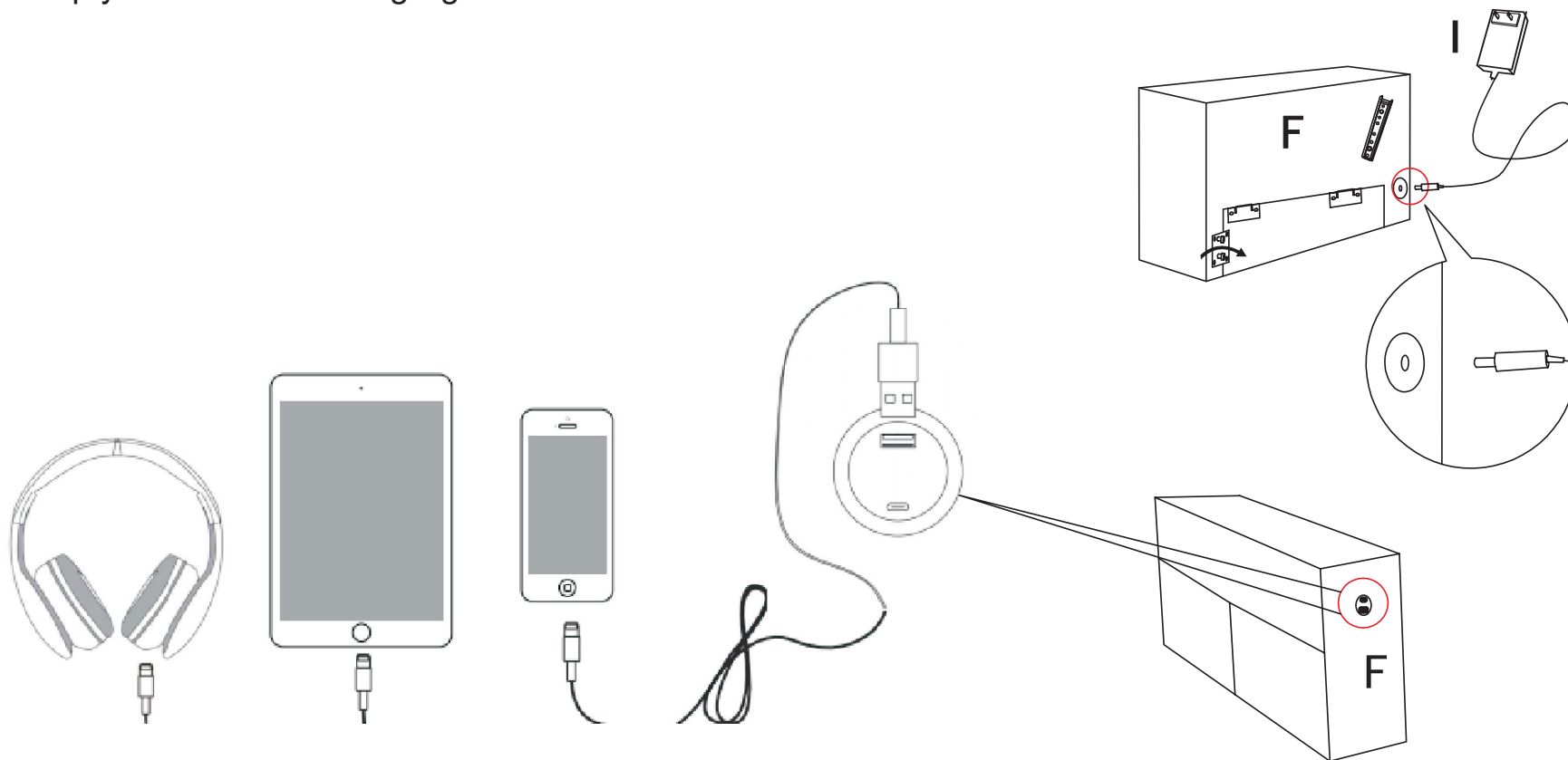
2



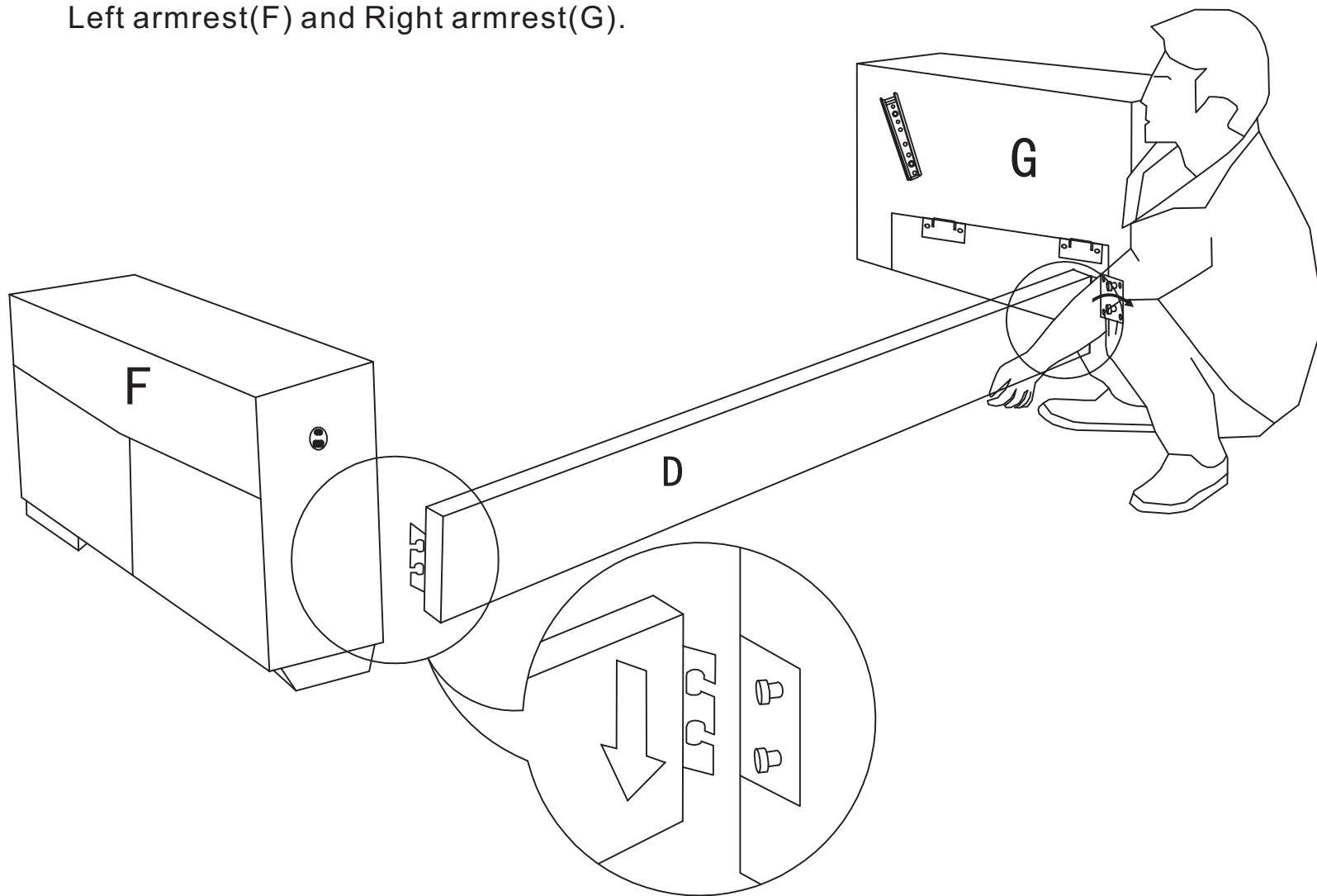
3



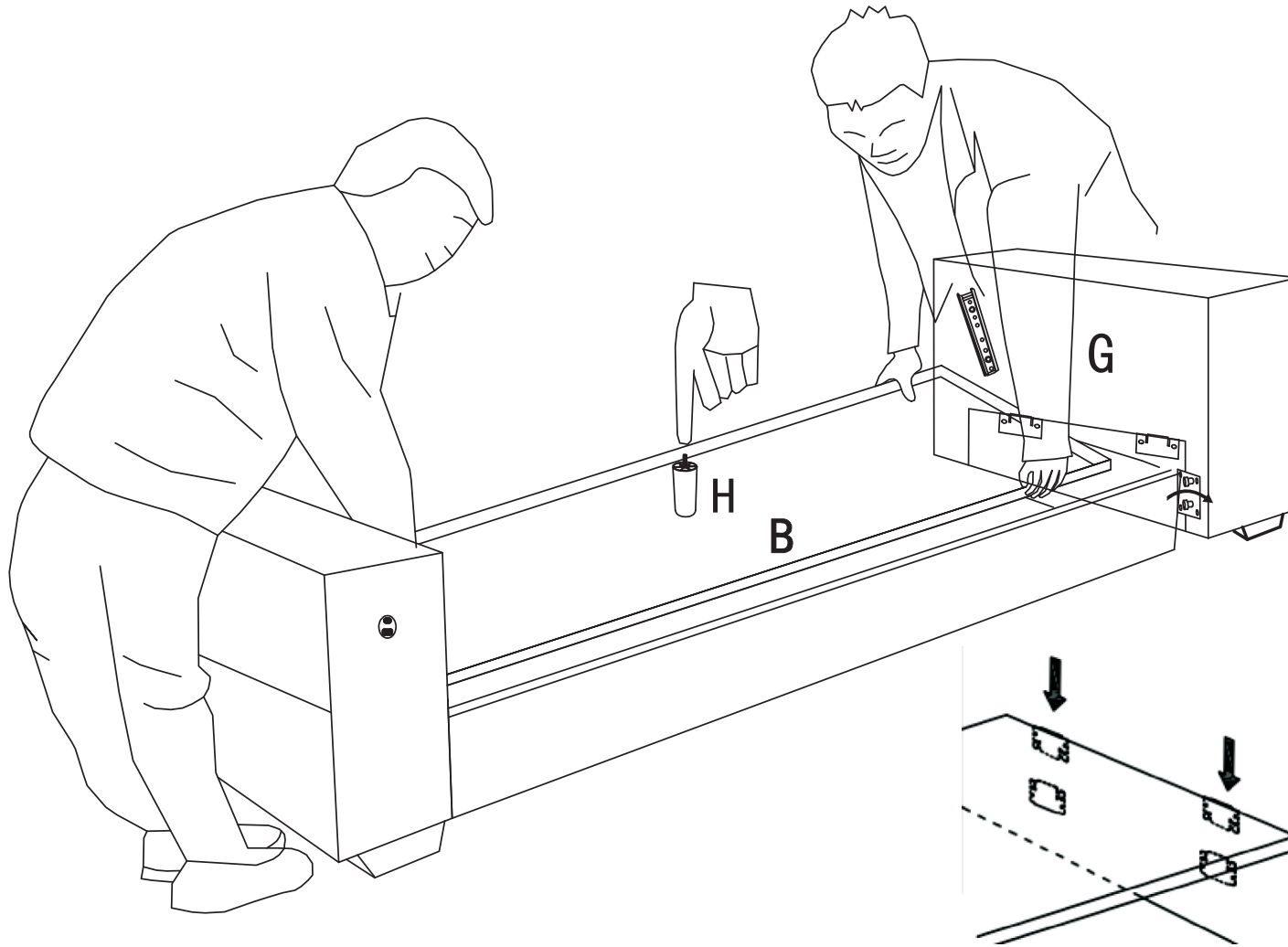
Step 4. Connect the Power Cord(I) with Left Armrest(F).
The dual USB outlets(5V2A + Type C) on Left Armrest(F) can keep your devices charging.



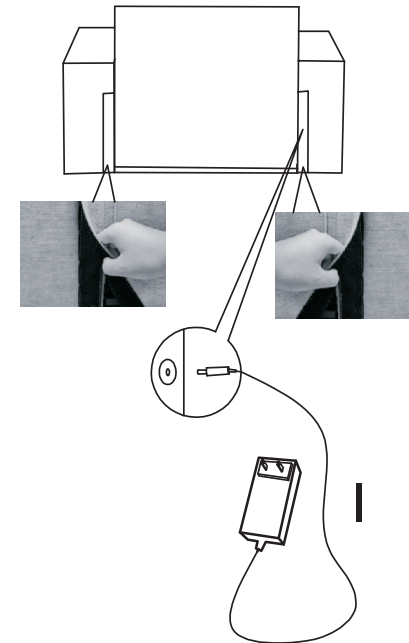
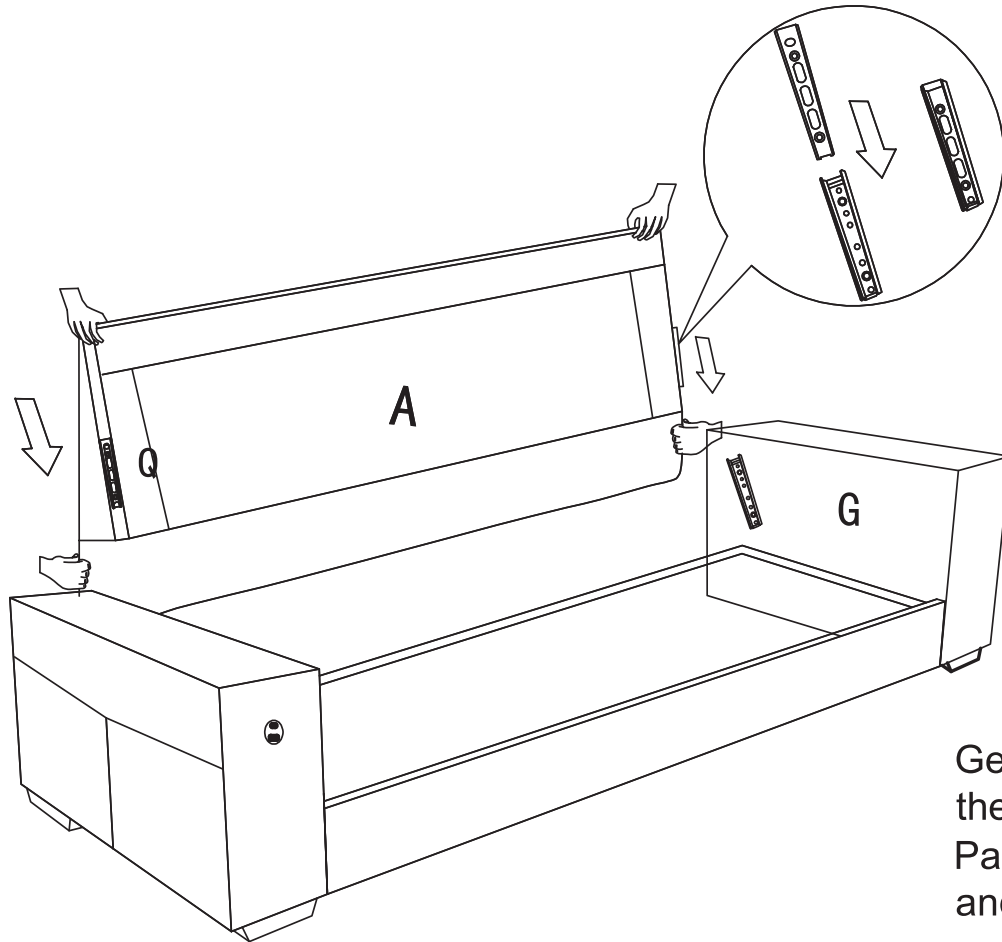
Step 5. Make the metal buckles aligned and Connect the Couch Front panel(D) with Left armrest(F) and Right armrest(G).



Step 6. Connect the Seat Frame(B) with two Armrests(F&G), make the Middle Leg(H) under the below.

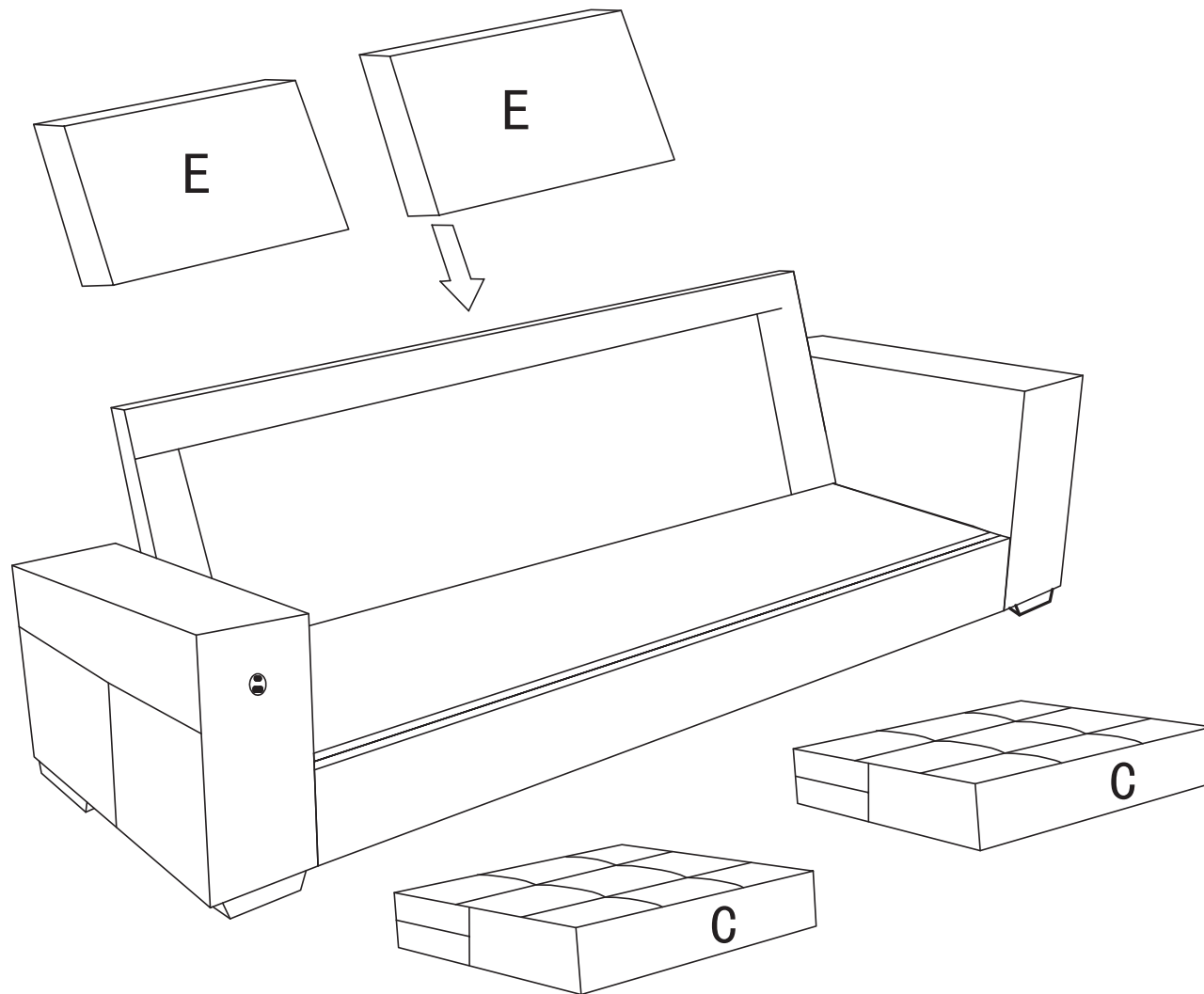


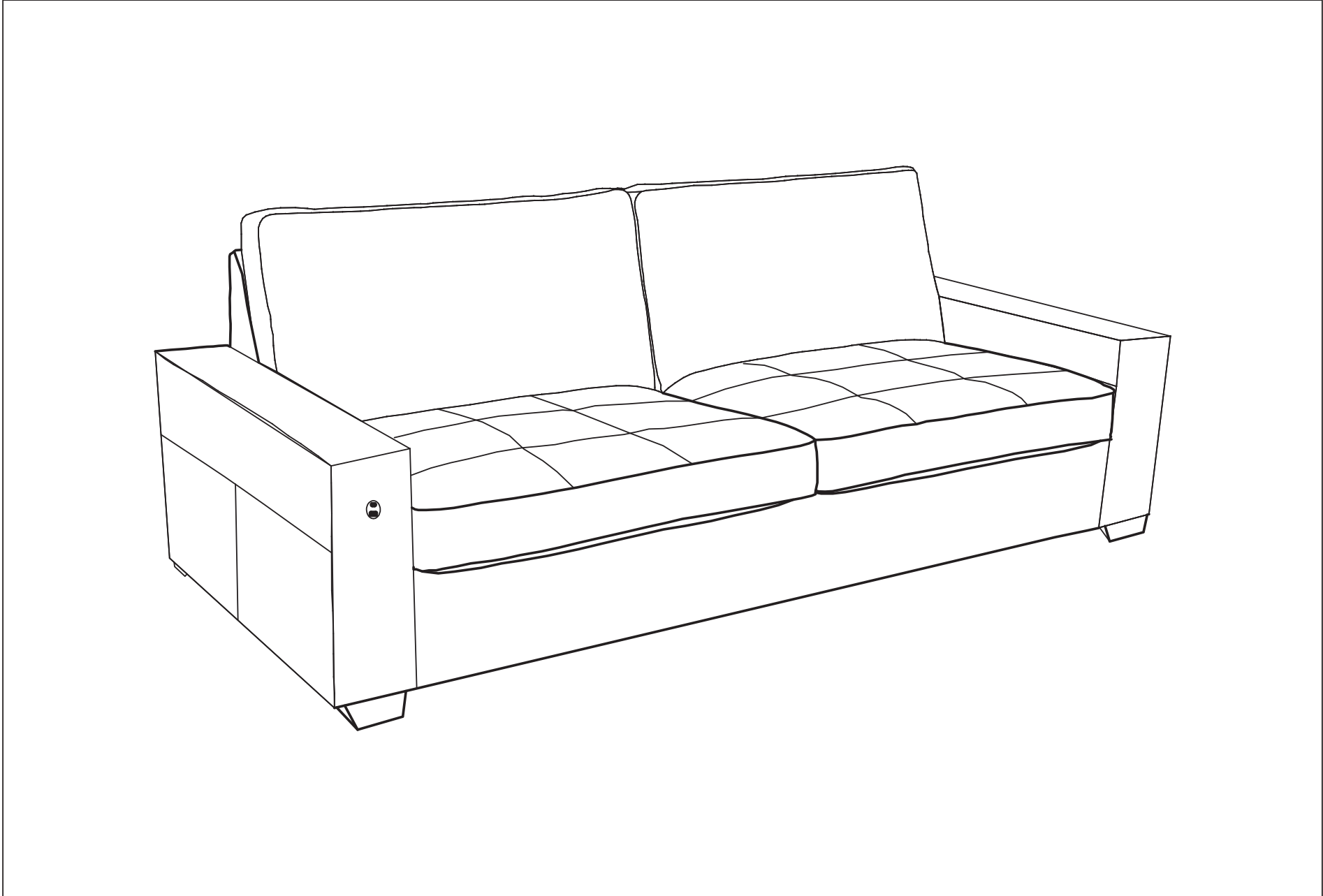
Step 7. Connect the Back Bracket(A) with Left Armrest(F) and Right Armrest(G),
Make sure to push the Back Bracket(A) into the bottom of the metal buckles.



Get the cover of backrest out of the arm. Put
the cover onto the backrest.
Paste the velcro of backrest onto the arms
and the bottom

Step 8. Put the Seat Cushions(C) and Back Cushions(E) on.





FAQ

Q1: Only received one box.

A1: We normally ship two boxes on the same day, but they may not be delivered together due to carrier issues. Typically, the delivery time interval between the two packages will not exceed two days. You can also contact the seller to inquire about the delivery time of the other box.

Q2: Missing parts or Some parts damaged when received.

A2: If any parts are missing or damaged from the box, please send us messages to let us know the name of missing part regarding the parts list or send us the clear photos about damaged part to us as attachment, we will check, send you the replacement and offer you the best solution soon.

Q3: Assembly difficultly

A3: It is best for two people to assemble the sofa. If you encounter any problems during the installation process, please take photos and send them to us; we will reply promptly. You can also find installation videos on our page. Please call us if you have any questions.

Q4: Return Policy

A4: Before returning the item, please contact us about return issue, please make sure that the box packaging is complete, the product is not damaged, stained and not affecting secondary sales. Return product that do not use the original packaging may be rejected, and the pictures may be requested to offer.