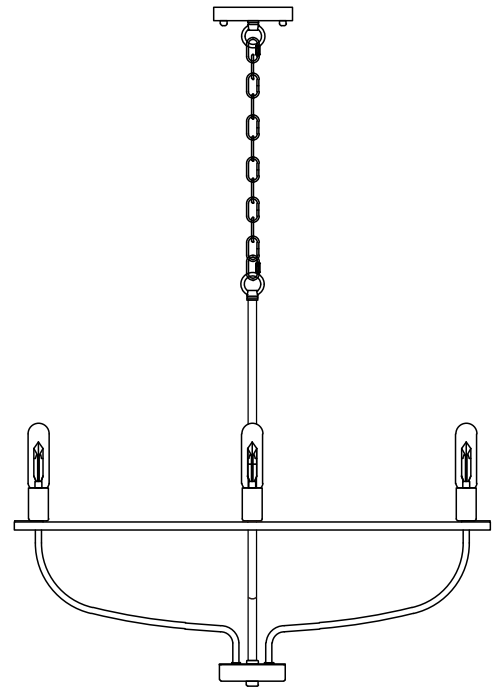
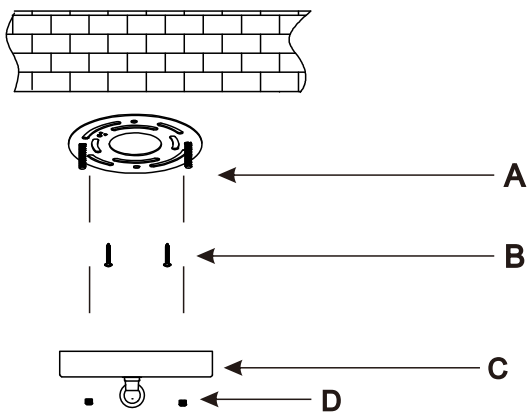


# INSTRUCTIONS



MADE IN CHINA

①

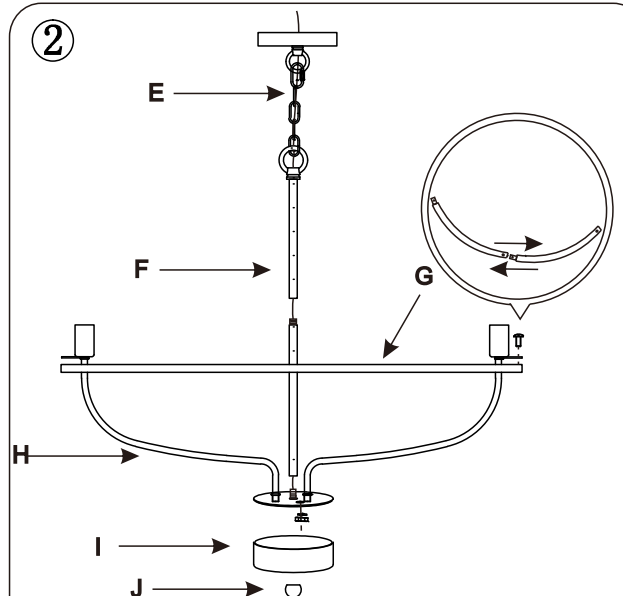


## Step1.

- 1.Remove the Mounting Bracket(A) from Ceiling Canopy(C) by unscrewing Decorative Fastener(D).
- 2.Mark the screw position on ceiling with Mounting Bracket(A),then Drilling screw hold with M6 drill bit.
- 3.Then Secure Mounting Bracket(B) to ceiling Mounting Screw(B).

PAGE3

②



## Step2.

- 1.Arrange the Lamp Arms(H) and Tighten the nuts and washers by the spanner.
- 2.Insert the Lamp Frames(6pcs) and tighten them under the Lamp Holders by screws.
- 3.Install the Curved Cover(J) and tighten with Round Beads(J).
- 4.Feed the fixture wire through the Down Rods(F) and Canopy(C), then screw the Down Rods(F) together.
- 5.Use Chain(E) to connect the Down Rod(F) and Canopy(C).

PAGE4

PLEASE READ INSTRUCTIONS IN THEIR ENTIRETY PRIOR TO ASSEMBLY AND INSTALLATION.

**SAFETY PRECAUTIONS:**

- a. Please carefully examine the cord, lamp holder, switch, and all other parts for damages. If any damage or defect is found, please return this fixture.
- b. This fixture use E12 Medium Bulbs Max. 40W. To avoid the risk of fire, do not use bulbs that exceed the 40W limit. We suggest using LED Bulbs for lower energy consumption and longer life span.
- c. Hardwiring this fixture requires connecting electric wires, these connections must be in accordance with local and National Electrical Code(NEC) standards, we suggest hiring a licensed electrician to do this.
- d. Recommended for indoor use only, please keep this fixture away from water or moisture.
- e. Wipe clean using a soft, dry cloth or static duster. Always avoid the use of harsh chemicals and abrasives to clean fixture as they may damage the finish.

**ASSEMBLY & INSTALLATION GUIDE**

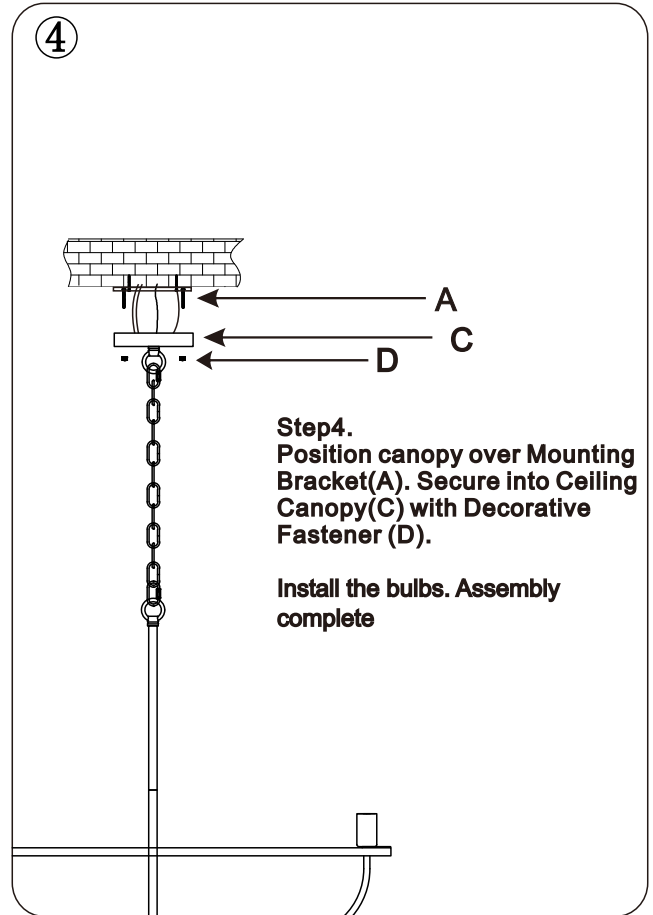
**ITEMS YOU NEED**

- a. Ladder
- b. Screwdriver
- c. Wire cutter/stripper
- d. Insulation tape
- e. 6 x E12 Bulbs (<40W)

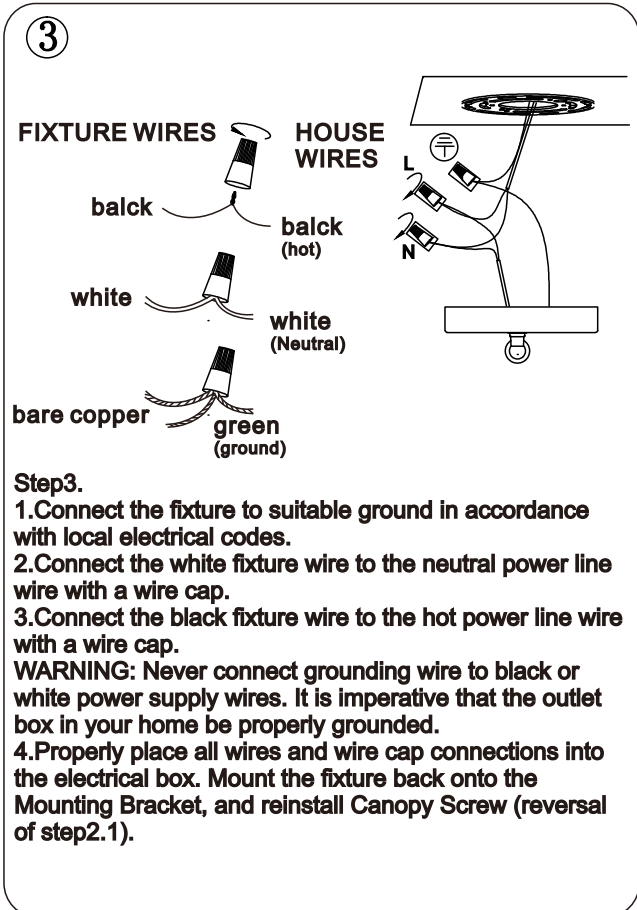
**GETTING STARTED**

- 1. Carefully unpack all accessories and parts.
- 2. Place all components on a clean, flat and soft surface to prevent parts from getting scratched.
- 3. Shut off your main electrical supply at the fuse box or circuit breaker. Just turning off the light switch is not sufficient to prevent electrical shock!

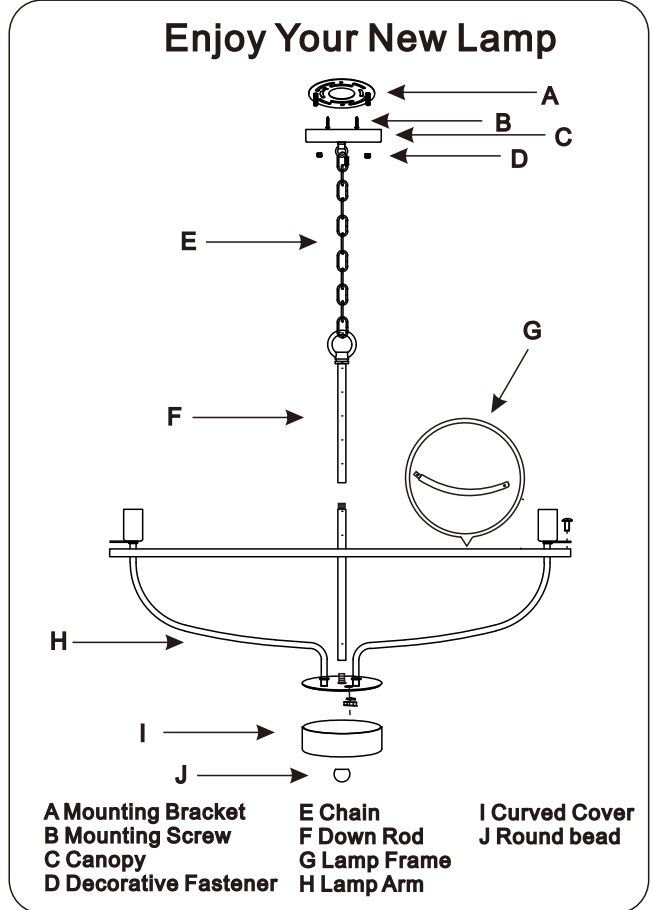
PAGE1



PAGE6



PAGE5



PAGE2