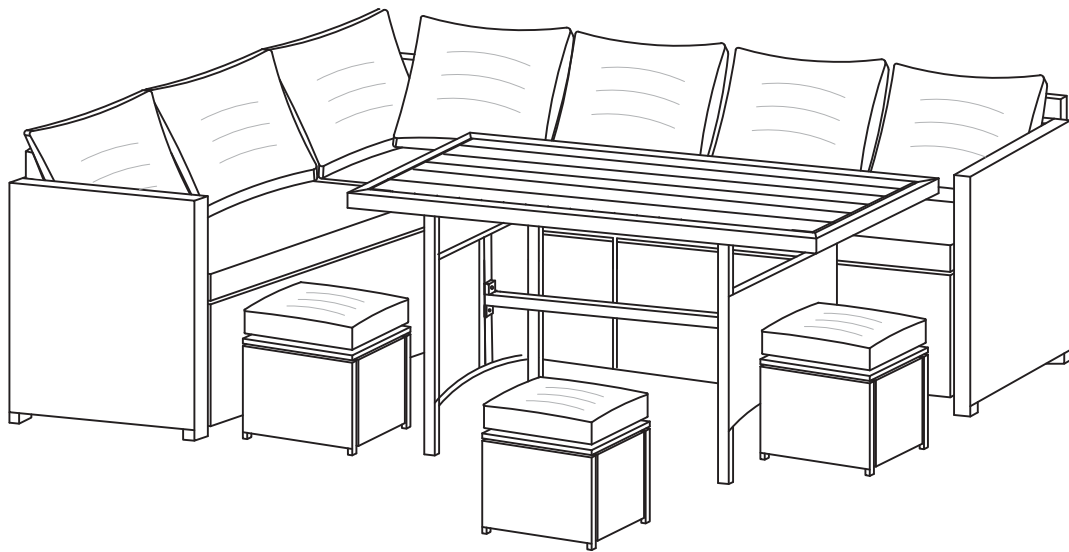


PE Rattan Furniture Set Assembly Instructions

OT003--box C



Attention

Thanks for choosing our product.

1. There will be four boxes in total for this whole product. Before assembling, please check you receive all the parts listed below. If there is any missing or damaged part, or if you have any question, please feel free to contact our service team for help.
2. Two persons are recommended to assemble the set.
3. Recommend to use waterproof furniture cover for entire furniture set when it is used outdoor to keep them longer lifetime.
4. Sofa cushion covers can be removed and cleaned up by cleaner when there are stains.
5. If the screw holes cannot be aligned, try loosening the screws on the other side.

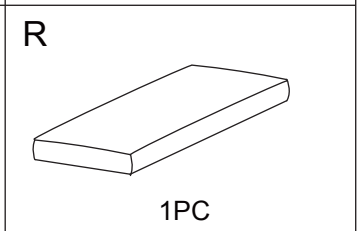
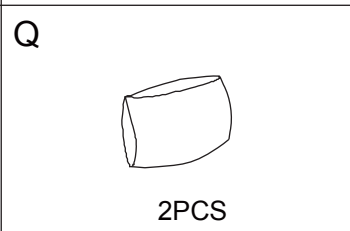
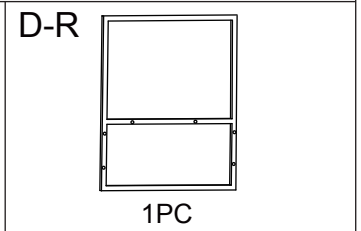
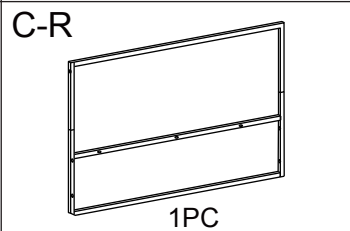
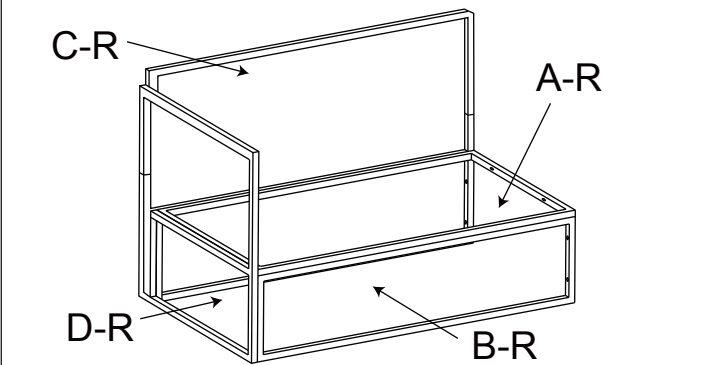
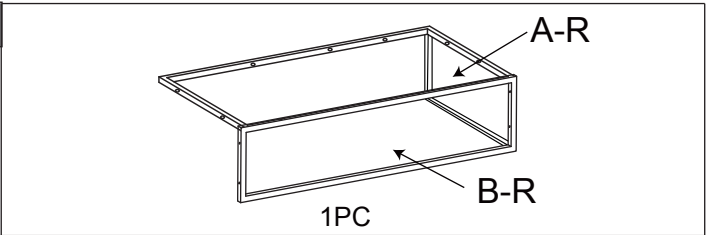
Please kindly check parts list and follow the assembly guide to install your furniture set.
Any problems, please feel free to contact us.

WhatsApp

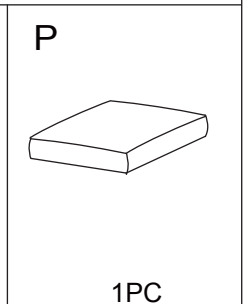
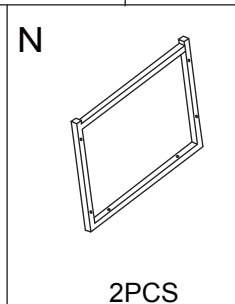
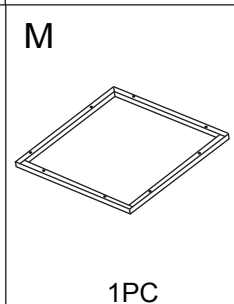
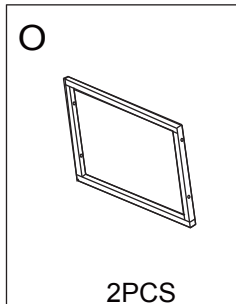
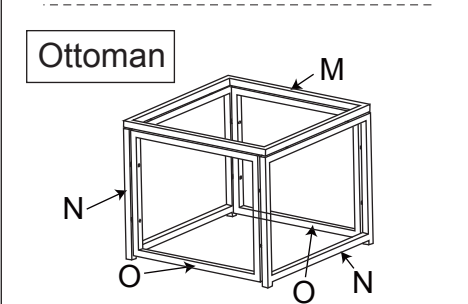


box C Parts List

2	3	4	6		
M6x30mm 16PCS	M6x35mm 4PCS	M6 20PCS	M6 1PC		






Right Corner Sofa

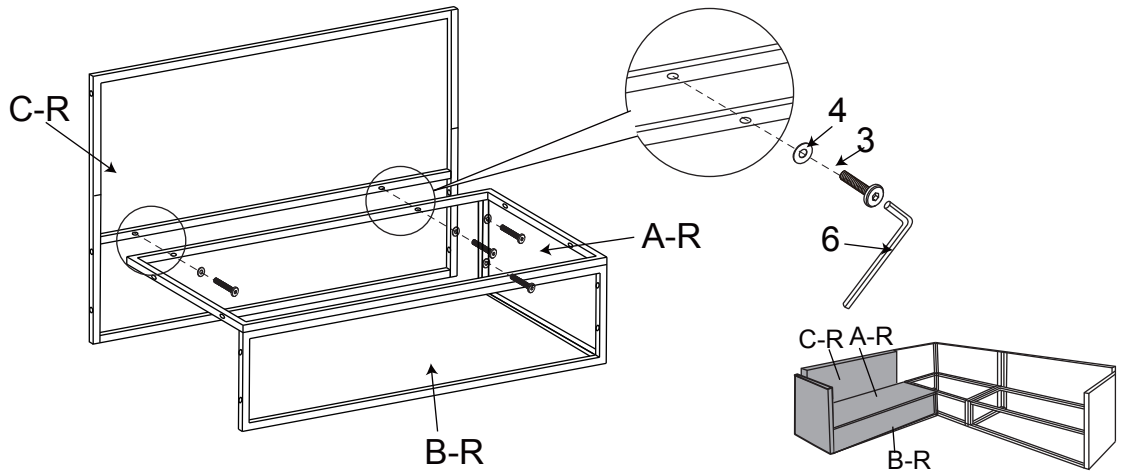


Ottoman

Right Corner Sofa

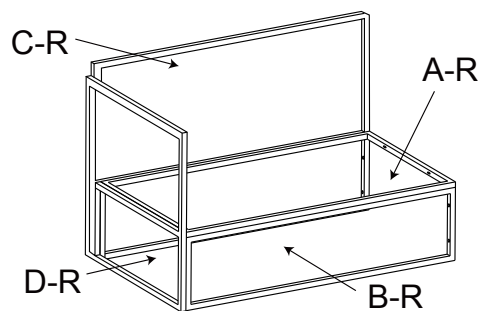
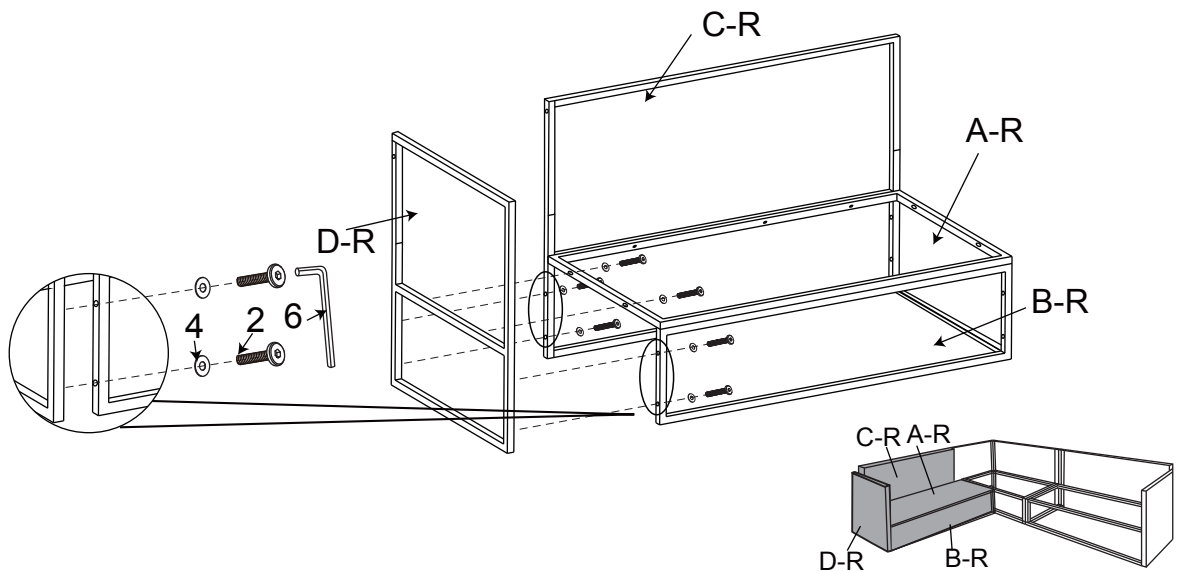
STEP1

- 2 
M6x30mm
2PCS
- 3 
M6x35mm
2PCS
- 4 
M6
4PCS



STEP2

- 2 
M6x30mm
4PCS
- 3 
M6x35mm
2PCS
- 4 
M6
6PCS

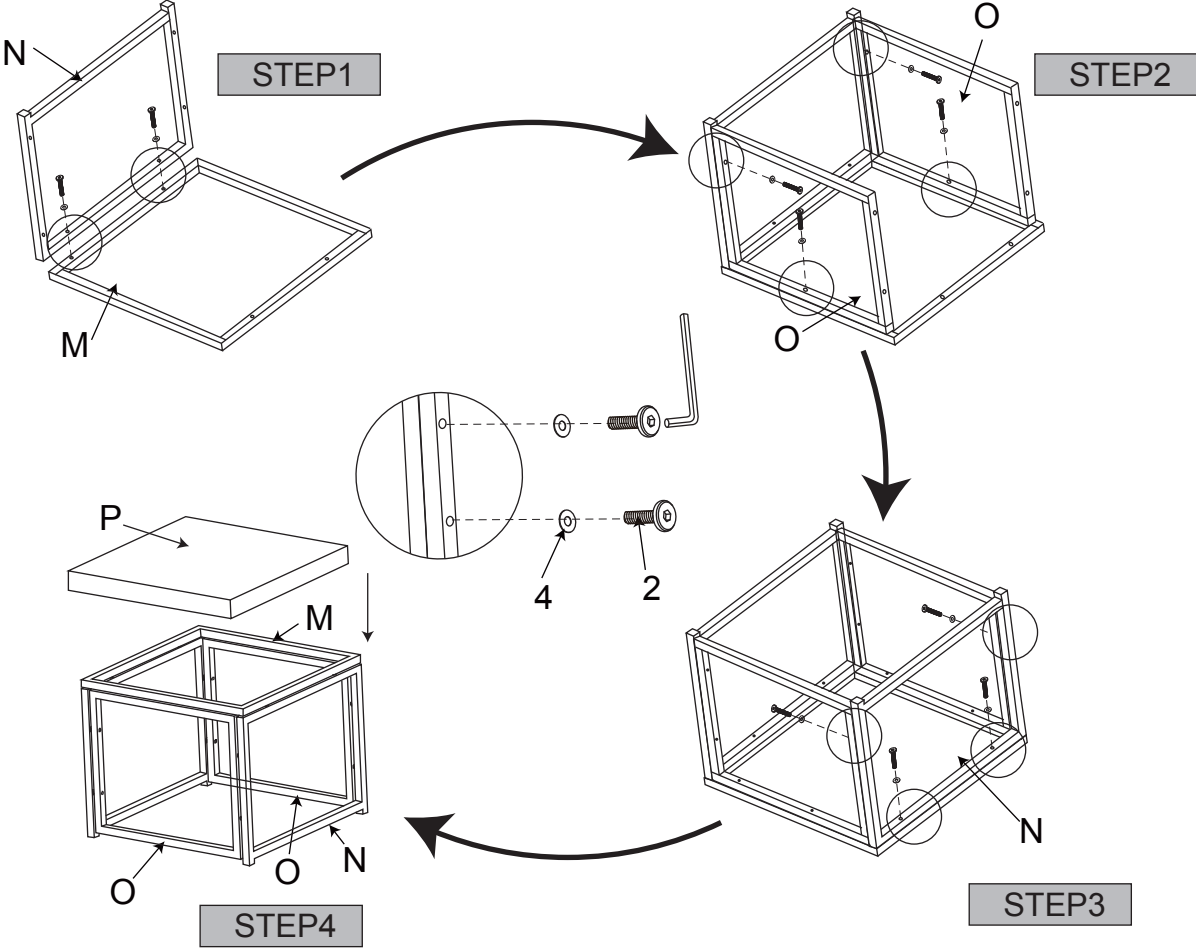


Right Corner Sofa

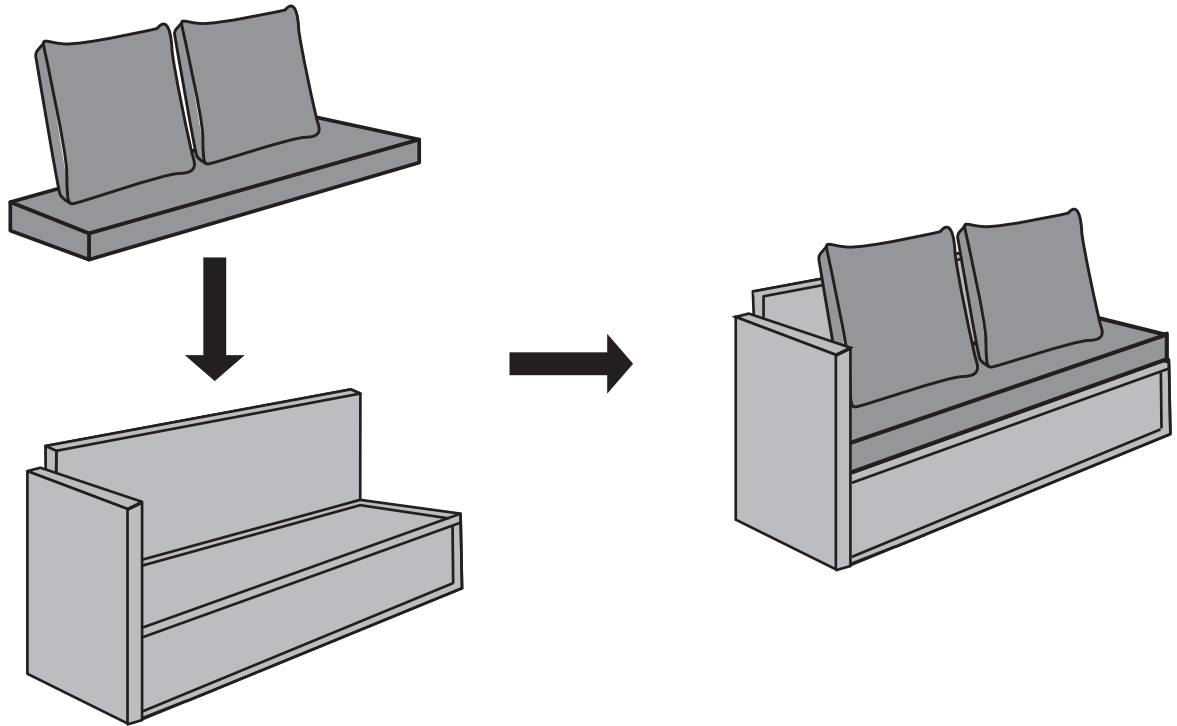
Ottoman

- 2 M6x30mm 10PCS
- 4 M6 10PCS

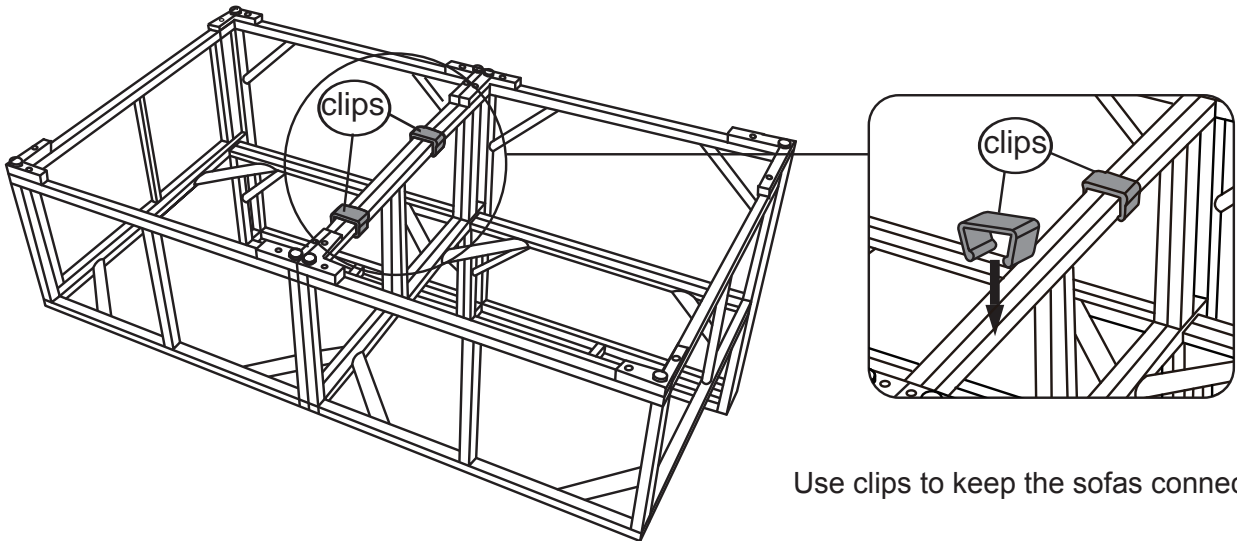
All three ottomans are installed in the same way.



Cushion Assembly



Clips Assembly



Use clips to keep the sofas connected.