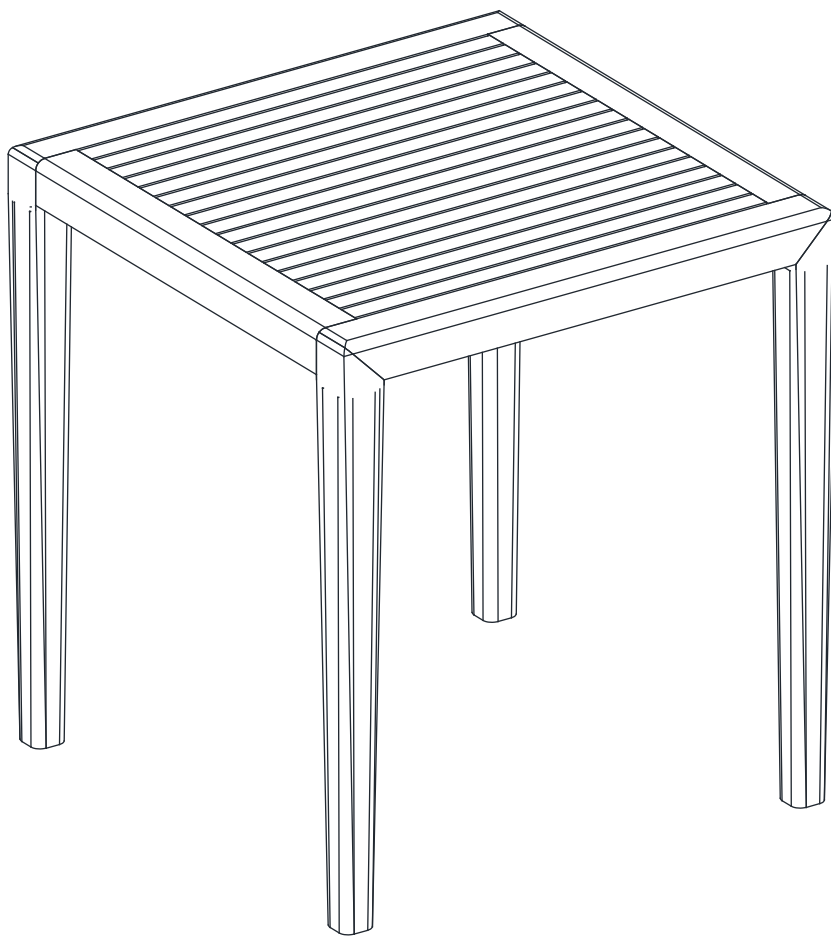


SAMOA BRAZILIAN TEAK PATIO ACCENT TABLE

DESIGN # CPT1060

Assembly Instructions

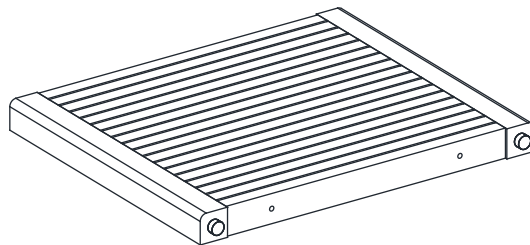


Thanks for bringing Safavieh Couture into your home

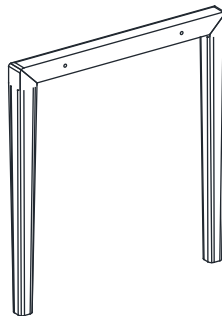
Everything We make is incredibly simple to set up, including your new dining chair. You won't need any additional tools.

Parts & hardware

A x 1
Frame Top Table



B x 2
Frame Leg



HW1 x 4
Allen Bolt: M6x0.5x40 mm

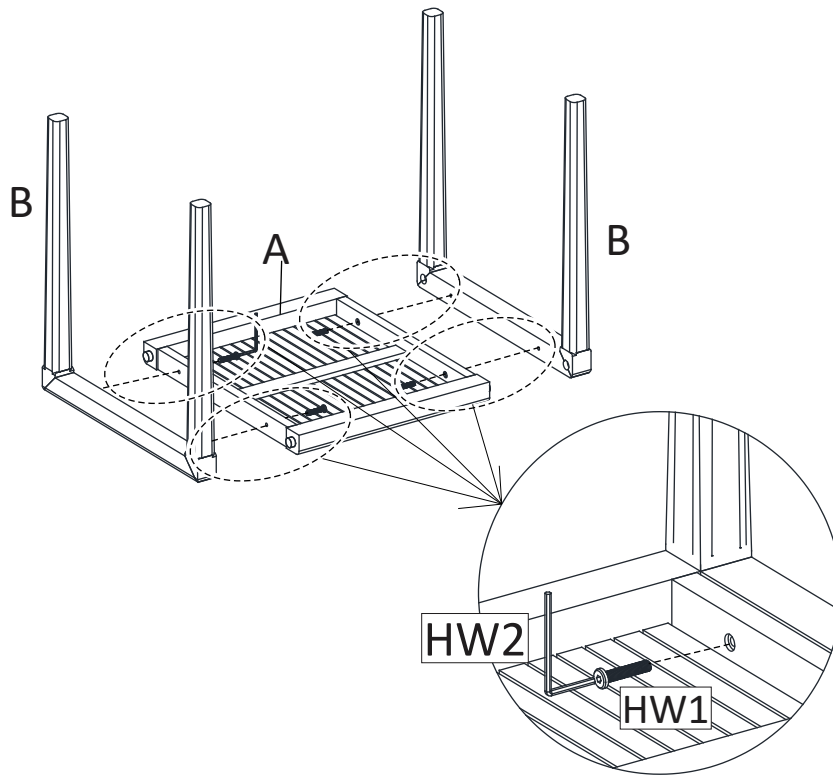


HW2 x 1
Allen key



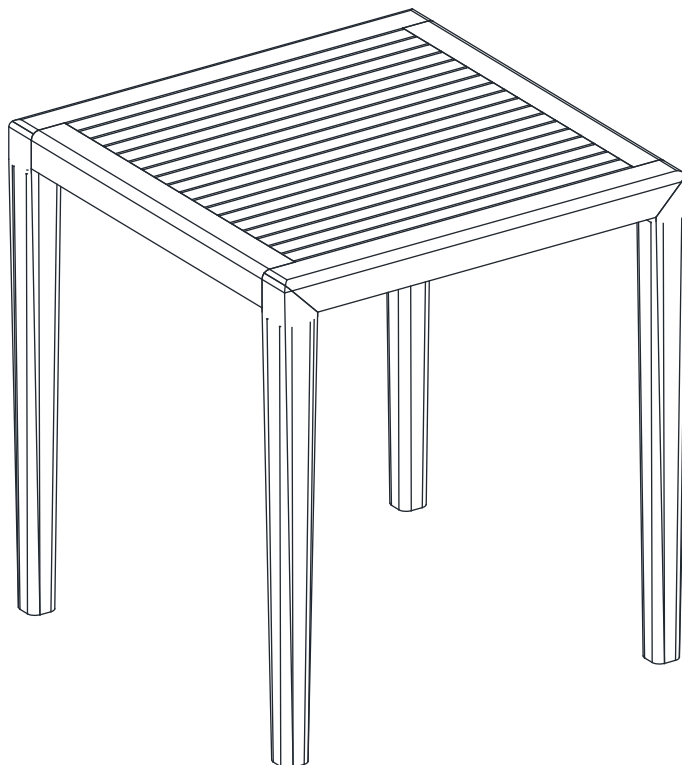
1

Attach Frame Legs (B) To Frame top table (A), use Bolts(HW1), tighten with Allen key (HW2) as shown above.



2

Caution: This SideTable can only be used on a flat, level surface



Need help?

Feel free to contact us via email or call
If you have any specific question!