

## Clear seeded glass LED pendant

### PLEASE READ AND SAVE FOR FUTURE REFERENCE.

#### CAUTION

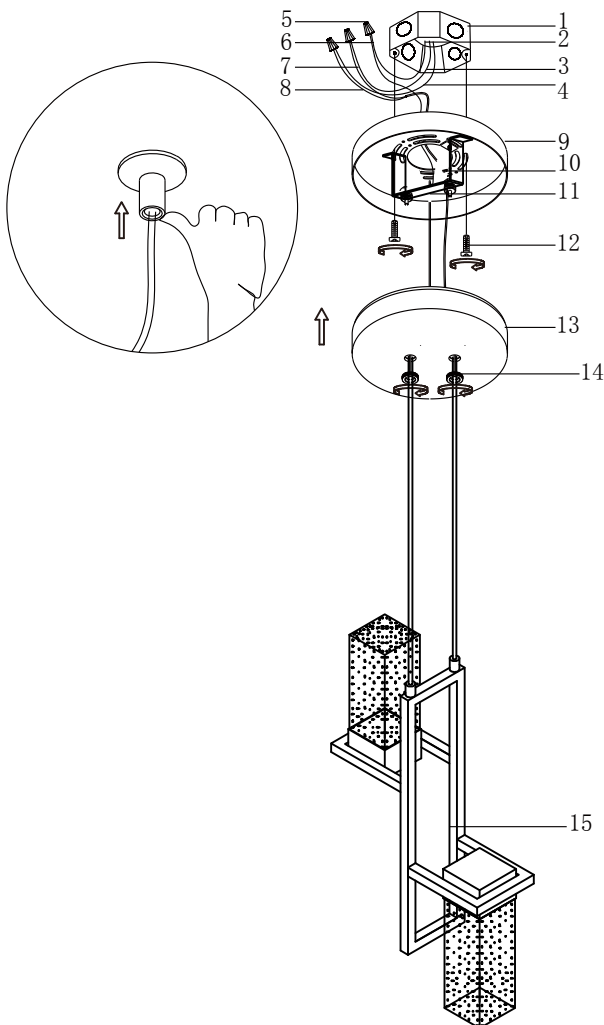
1. Turn off the main power at the circuit breaker before installing the fixture in order to prevent possible shock.
2. All electrical connections must be in accordance with local and National Electrical Code (N.E.C.) standards. If you are unfamiliar with proper electrical wiring connections, obtain the services of a qualified electrician.

#### WARNING

1. Most home outlet boxes will support 35 pounds or less. To install this fixture, the outlet box and the supporting structure the outlet box is attached to **MUST** be capable of supporting 20 pounds or more.
2. The safety cable **MUST** be used during installation. The safety cable must be attached to a ceiling joist or other permanent structure independent from the outlet box. Failure to follow these guidelines will void warranty and could result in injury, severe damage or death. If in doubt, consult a qualified electrician for installation of the fixture.
3. Do **NOT** tamper with or attempt to repair LED component of fixture.

#### GENERAL

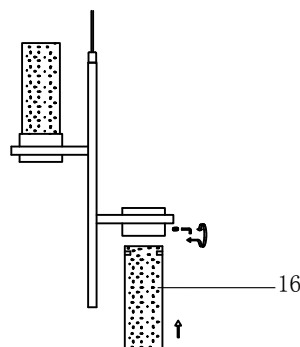
Remove all parts and hardware from the box and make sure that none are missing by referencing the illustrations provided.



#### PENDANT:

1. **OUTLET BOX** (not included)
2. **SUPPLY GROUND WIRE** (not included)
3. **BLACK SUPPLY WIRE** (not included)
4. **WHITE SUPPLY WIRE** (not included)
5. **WIRE CONNECTORS**
6. **FIXTURE GROUND WIRE**
7. **SMOOTH (or BLACK) FIXTURE LEAD WIRE**
8. **RIBBED (or WHITE) FIXTURE LEAD WIRE**
9. **MOUNTING PLATE** (pre-attached)
10. **GROUND SCREW** (pre-attached)
11. **COLLAR LOOP**
12. **OUTLET BOX SCREWS and WASHERS** (pre-attached to outlet box)
13. **CANOPY**
14. **RING**
15. **FIXTURE**
16. **Clear seeded liass**

*Note:* The arms on the fixture cannot be rotated 360°



## Lighting Limited Warranty

We warrant all our Products to be free from defects in material and workmanship, subject to certain conditions and exclusions, for period of one year from the date the Product was shipped to the original end use purchaser. LED product is warranted for a period of 3 years from the date purchased or shipped to the original end use purchaser. We will warrant our product only if it is sold through an authorized our dealer.

We will, at its discretion, repair, replace or make appropriate adjustment where inspection discloses any defects occurring in normal usage within the applicable time period above, subject to the following conditions and exclusions.

The following costs, expenses and damages are not covered by the provisions of this limited warranty: (1.) labor costs including, but not limited to, costs associated with the removal and reinstallation of Product; (2.) shipping and freight expenses required to return Product.

**CARE & CLEANING:** Initial care for finishes requires periodic cleaning with a soft cloth, dampened with water. A mild non-abrasive soap may be used along with a soft cloth and water if the fixture is very dirty. Particular care should be taken to avoid abrasive materials and strong cleaning agents as they will quickly destroy the protective coatings and subject the finish to oxidation and discoloration.