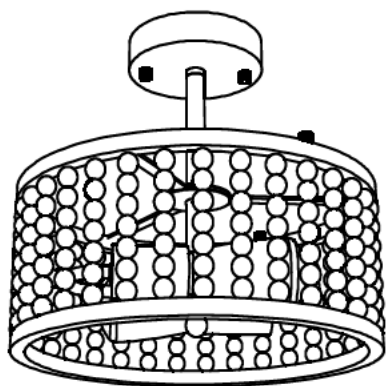


Manual Book

Ceiling Light



Safety Rules

WARNING: BE SURE THE ELECTRICITY TO THE WIRES YOU ARE WORKING ON IS SHUT OFF; EITHER THE FUSE IS REMOVED OR THE CIRCUIT BREAKER IS TURNED OFF. TURNING THE POWER OFF USING THE LIGHT SWITCH IS NOT SUFFICIENT TO PREVENT ELECTRICAL SHOCK.

NOTE: The important safeguards and instructions appearing in this manual are not meant to cover all possible conditions or situations that may occur. It must be understood that common sense, caution, and care, are factors which cannot be built into any product. These factors must be supplied by the person(s) installing this unit.

READ & SAVE THESE INSTRUCTIONS

CAUTION: Before assembling the lighting fixture, refer to the section titled Wiring Connections. If you feel you do not have enough electrical wiring experience, either refer to a do-it-yourself wiring handbook or have your lighting fixture installed by a qualified, licensed electrician.

INSTALLATION & OPERATION INSTRUCTIONS GENERAL

Before starting the installation, disconnect the power by turning off the circuit breaker or by removing the appropriate fuse at the fuse box.

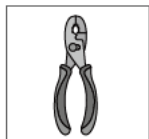
Turning the power off using the light switch is not sufficient to prevent electrical shock.

All electrical connections must be in accordance with local and National Electrical Code (NEC) standards. If you are unfamiliar with proper electrical wiring connections, obtain the services of a qualified electrician.

1. Tools You Need



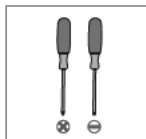
Ladder



Pliers



Wire Strippers



Screwdrivers

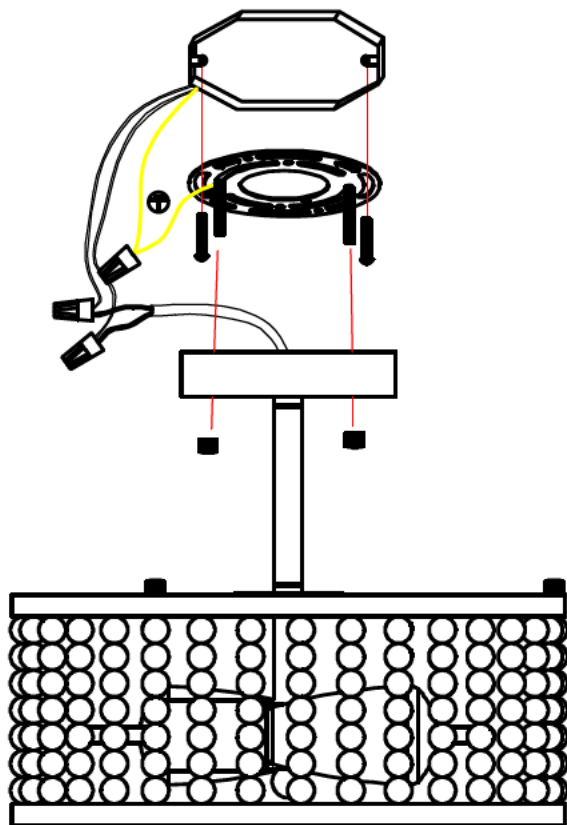


Power Drill (optional)



Drill Bit (optional)

2. Packing List



Outlet Box (not included)

Mounting Bracket x 1

Mounting Screw
(from outlet box)

Canopy x 1

Cap Nut x 2

Downrod x 1

Lamp body x1

3. Mounting and Wiring

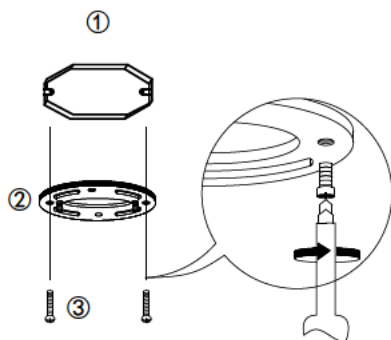


Fig 1

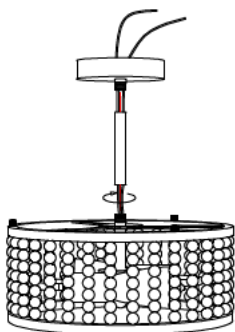


Fig 2

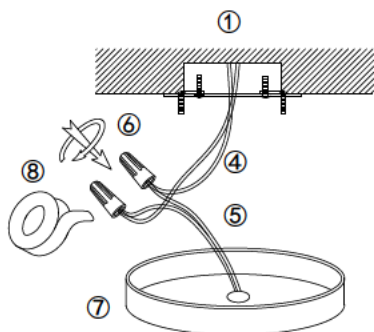


Fig 3

1. Mount the Bracket

Take off screws from outlet box ①.

Secure the Mounting Bracket ② onto the box with screws ③ taken off.

2. Mounting accessories

After threading the wires through the fittings, twist the fittings into the lamp body in order to fix them.

3. Connect the Wires

Step 1: Connect the fixture wires ⑤ to the house wires ⑥, black to live wire, white to neutral wire, green/yellow and green wire to ground wire (optional). Wrap the connectors with electrical tape ⑧ separately (Fig 3).

Step 2: Spread apart the wires so that the live wires are on one side of the outlet box and the neutral wires are on the other side.

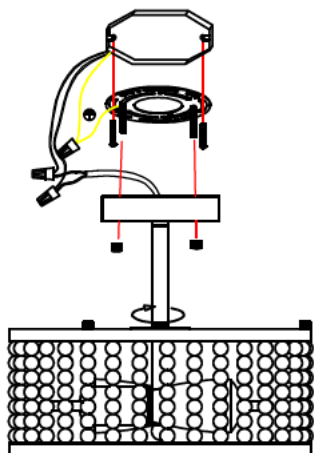


Fig 4

4. Lamp body fixing

After fixing the plate with screws, link the power and earth wires. And fix the lamp body with the flower branch nut. (Fig 4).

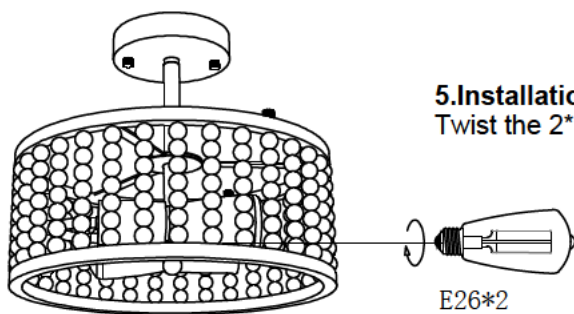
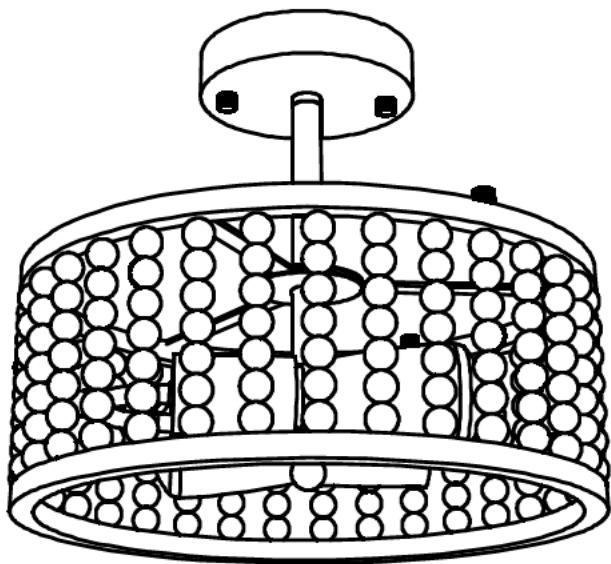


Fig 5

5. Installation of light sources

Twist the 2*E26 bulbs into place(Fig 5).

4. Fixture Assembly



1. Install bulbs (E26x 2, Max 60W each, LED recommended).

Trouble Shooting

1. Missing / Broken Parts

- Make a list of the missing/broken parts according to the packing list, take photos for broken parts, then email us for free replacements.

2. Bulbs Do Not Light Up

- Check your power and switch to make sure it's power on.
- Check the bulb to make sure it's installed correctly.
- Change a new bulb.
- Check the wires to make sure they are connected correctly.

3. Bulbs Flicker / Noisy Operation

- Check the bulb to make sure it's installed correctly.
- Change a new bulb.
- Make sure your bulb is dimmable if you use a dimmer switch.

4. Could Not Install / Assemble

- Take photos of the ceiling / fixture, contact seller for technical support.

Clean And Care

To clean, wipe fixture with soft cloth. Spray from chemical cleaners can discolor the finish of fixture. Do not use scouring pads, powders, steel wool or abrasive paper to clean this fixture.

Ordering Parts

Keep this manual for future reference, and in case replacement parts are needed. Available parts can be ordered from place of purchase. Use exact wording from diagrams when ordering parts.

**"We followed the light to a brighter
and warmer place."**