



GARDMAX

Maximally Meeting Your Garden Needs

POLICARBONATE GREENHOUSE

USER MANUAL

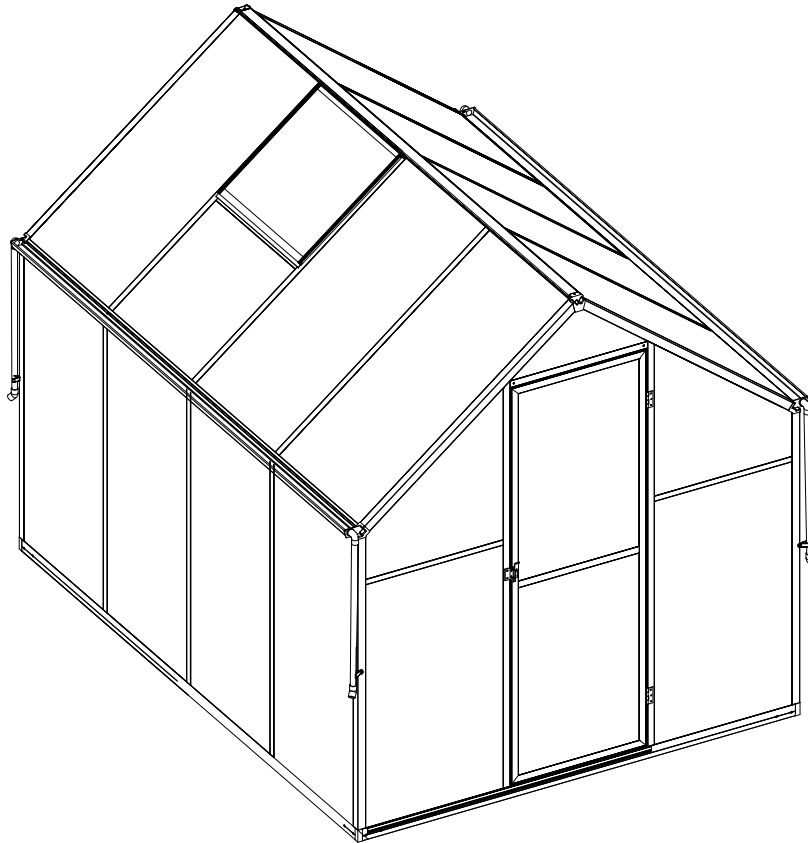
GARDMAX: Your Trusted Partner in Creating the Garden of Your Dreams

At GARDMAX, we understand that your garden is more than just a space—it's a reflection of your passion, creativity, and lifestyle. That's why we provide only the best in greenhouses, garden beds, and planters—designed for quality, durability, and affordability. Because when it comes to your garden, only the best will do. Trust GARDMAX to help you cultivate your vision and grow something truly special.



GARDMAX

Maximally Meeting Your Garden Needs



NEED HELP? CONTACT US

Have product questions? Need technical support? Please feel free to contact our service center!

MODEL NO.: GM024

PRODUCT SIZE (L X W X H): 7.7' X 5.8' X 6.3'FT

Please read all manual instructions carefully before assembly. We reserve the right to interpret our user manual clearly. The appearance of the product you receive may vary slightly from the images shown. Kindly note that we will not notify you separately about any technological updates to our products.

INSTRUCTIONS

Thank you for choosing this product!

Please read all instructions carefully before use. The information provided will help you achieve the best results.

PLEASE NOTE!

The drawings in this manual are for illustration purposes only and may differ slightly from the actual product.

ATTENTION!

Read all safety warnings and instructions. Failure to follow these warnings could result in serious injury or even death. The product referred to in the warning instructions is the Polycarbonate Greenhouse.

Important Safety Information:

1. Assembly Requirement:

Two people are required to assemble this product.

2. Sharp Edges:

Some components have sharp metal edges. Please handle with care. Wear gloves, shoes, and safety goggles during assembly.

3. Assembly Area:

Choose a clean, flat area for assembly, free from debris or obstacles that could cause trips or falls.

4. Roof Safety:

Do not climb or stand on the roof. Avoid leaning heavy items against the greenhouse.

5. Preview Instructions:

Review the assembly instructions in your manual before starting.

6. Inspection:

After assembly, ensure all nuts, bolts, and other fasteners are tightened properly.

7. Product Use:

This product is designed for use as a polycarbonate greenhouse only. It should not be used as a play facility or for any other purpose.

8. Inspection Before Use:

Check the greenhouse to ensure it is in proper working order before use. Do not use it if it is not functioning properly.

9. Ground Stability:

We recommend securing the bottom frame in a pre-dug trench, using expansion screws (included), for added stability and wind resistance.

10. Waterproofing:

Apply silicone sealant to the connection between the polycarbonate panels and the frame on the roof to enhance water protection.

11. Weather Precautions:

In bad weather, remove valuable items from the greenhouse to avoid damage. Do not use the greenhouse during severe weather conditions.

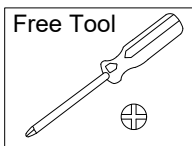
12. Roof Maintenance:

Regularly clear the roof of snow and leaves. Accumulated snow may damage the greenhouse.

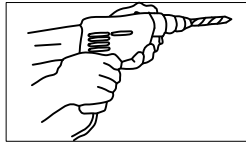
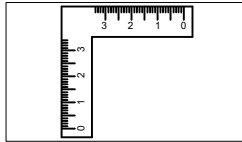
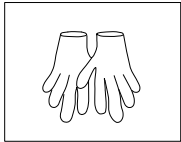
13. Cleaning:

Use a mild detergent solution and cold clean water to clean the panels. Avoid acetone, abrasive cleaners, or harsh chemicals.

Tools Provided:



Tools Required when Assembly (Not Provided)

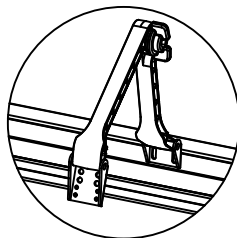


Assembly at least by two Persons



Functions and Features:

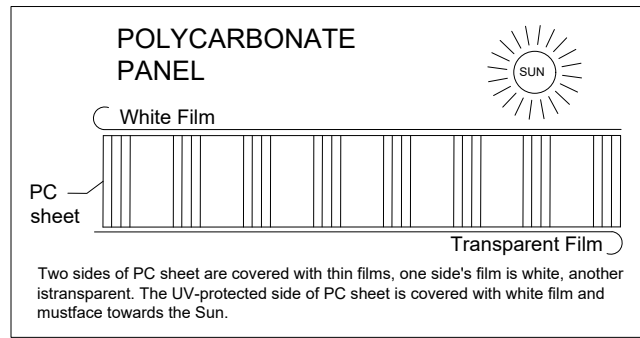
1. A new, elegant plastic manual window opener is included as standard with the roof vents.



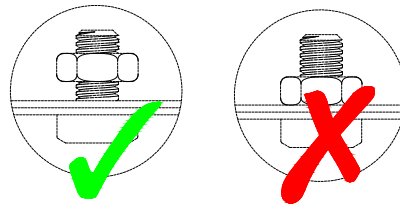
Manual Opener

2. This quality greenhouse features self-tapping screws to provide strong joints. As the name suggests, the screws tap their own thread. Driving in self-tapping screws requires more force than conventional screws. A powered screwdriver is therefore recommended.

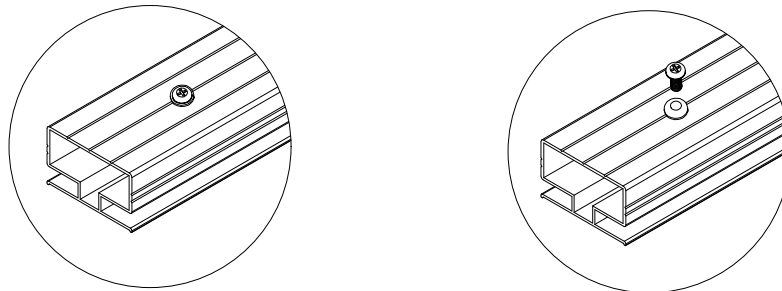
3. Remove approximately 2 inches of film from all sheet edges before installing and remove all film immediately after the construction is completed. Please ensure that the side with the white film faces outwards.



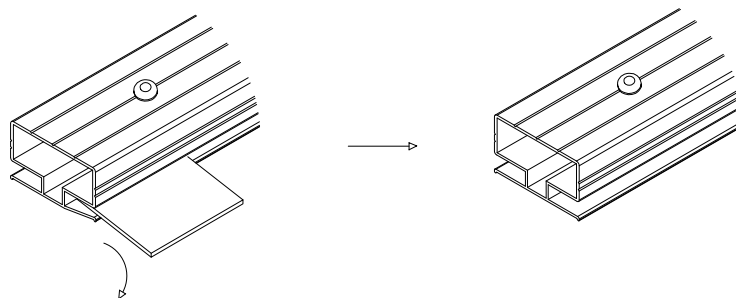
4. Nuts not to be tightened before the end of assembly! Unless otherwise stated, do not tighten the bolts/nuts/screws until the shed is finally erected!



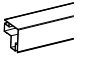
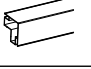

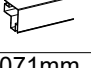
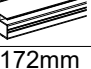


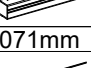

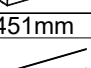
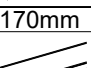






5. S86 and S15 and S88 are mostly installed on the profiles. Please remove S86 and S15 and S88 before installation.

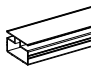
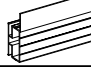

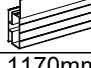




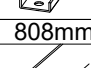
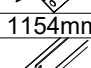
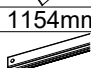




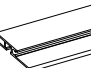



6. If the polycarbonate slot is deformed during transport, use a flat wooden or plastic block to straighten it (Avoid sharp objects to prevent damage to the aluminum).

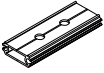



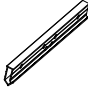




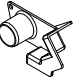


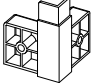
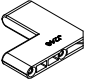
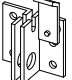











PART LISTS

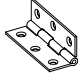
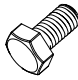
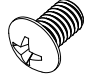
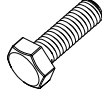


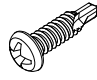

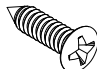
	PART	NO	QTY
1		L01A	2
	1172mm		
2		L01B	2
	1172mm		
3		L01E	2
	1071mm		
4		L01F	2
	1071mm		
5		L02A	4
	1172mm		
6		L02B	2
	1172mm		
7		L02C	2
	1071mm		
8		L02D	4
	1071mm		
9		L02H-1	1
	1170mm		
		L02H-2	1
	451mm		
		L02I-1	1
	1170mm		
		L02I-2	1
	451mm		
10		L02O-1	1
	1170mm		
		L02O-2	1
	410mm		
11		L02P-1	1
	1170mm		
		L02P-2	1
	410mm		
12		L02Q	2
	540mm		

	PART	NO	QTY
13		L02R	1
	485mm		
14		L03A-1	1
	1170mm		
		L03A-2	1
	462mm		
		L03E-1	1
	1170mm		
		L03E-2	1
	462mm		
15		L03F	1
	550mm		
16		L04A	5
	577mm		
17		L04B	1
	577mm		
18		L05A	8
	808mm		
19		L06B	2
	1154mm		
20		L07B	4
	1154mm		
21		L08A	2
	577mm		
22		L08B	6
	1154mm		
23		L09B	4
	1154mm		
24		L19A	2
	517mm		
25		L20A	1
	570mm		
		L21A	1
	570mm		

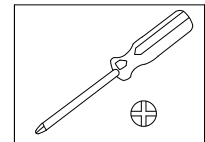
PART LISTS



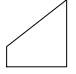
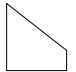
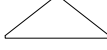




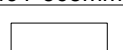
PART	NO	QTY
	A116	4
	A117	2
	A118	6
	A119	1
	A120	2
	A121	4
	D472	4
	D475	14
	J156	14
	J253L	2
	J253R	2
	J244	2
	J245	4
	J246	4
	H181	1
	A111	1
	J248	2

PART	NO	QTY
	L25A	4
	J93	4
	J94	4
	J199	4
	S01 M6X12	4
	M01 M6	4
	D25	2

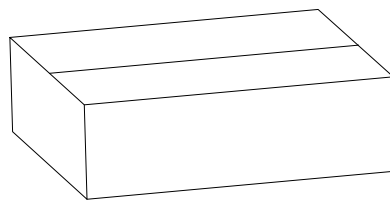
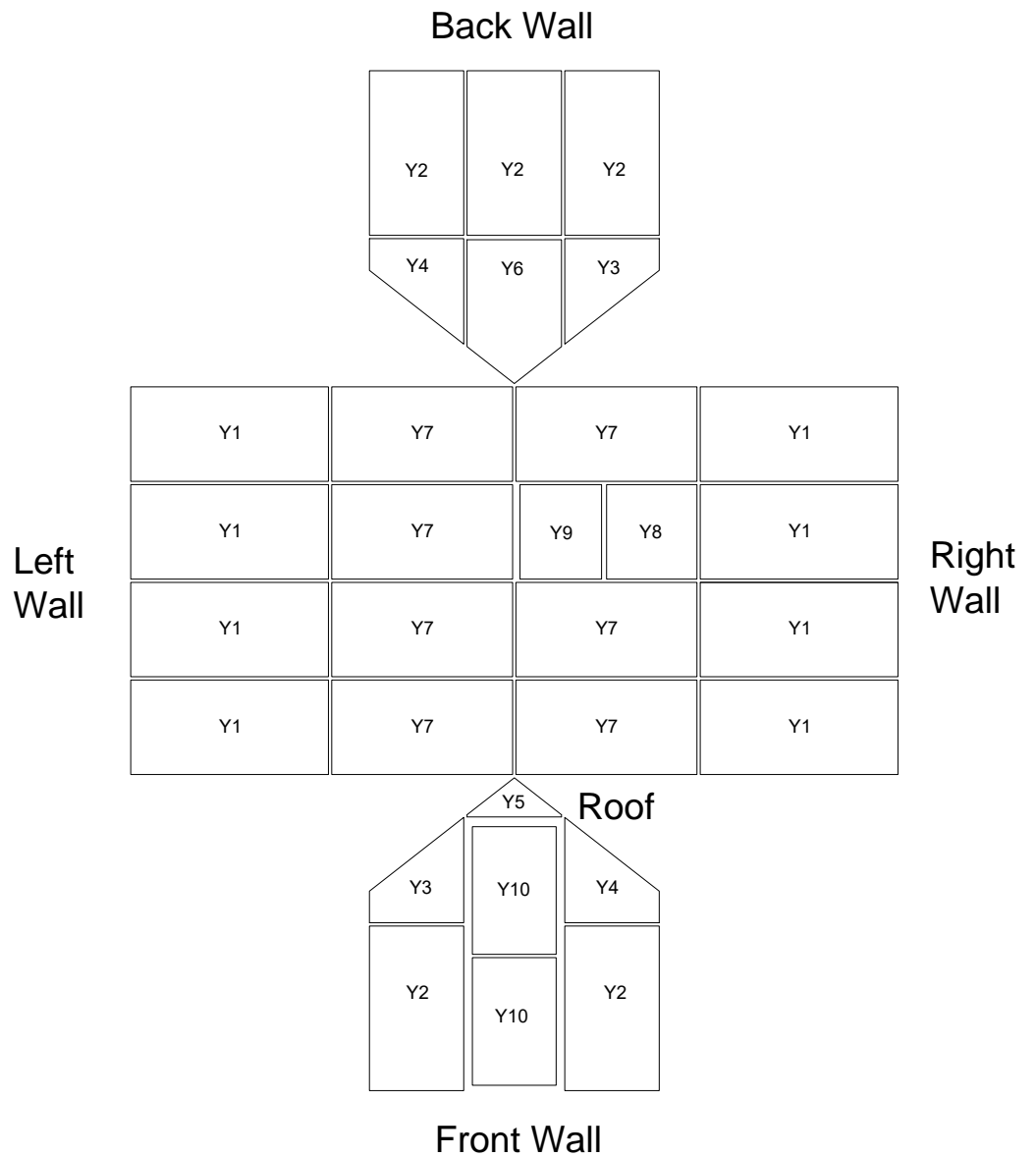
PART	NO	QTY
	H113	2
	S28 M4X10	2
	S86 M4X10	6
	S87 M4X25	32
	M02 M4	34
	Z03 Ø4X12	14
	Z08 Ø4.2X16	6
	Z13 ST5X40	14
	Z44 Ø4X20	20

Tools Provided:



PART	NO	QTY
	Y1	8
1190*568mm		
	Y2	5
990*568mm		
	Y3	2
634*568mm		
	Y4	2
634*568mm		
	Y5	1
235*568mm		
	Y6	1
865*568mm		
	Y7	7
1089*568mm		
	Y8	1
543*568mm		
	Y9	1
491*568mm		
	Y10	2
768*504mm		





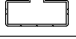



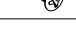
Panel Exploded Top View



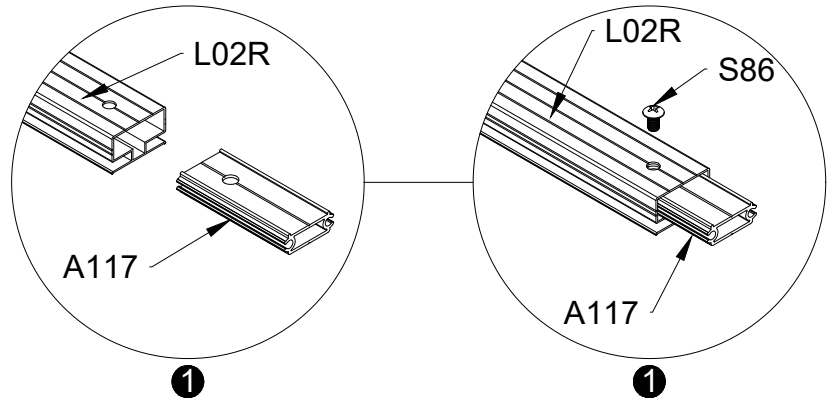
Box No. 1

ATTENTION:

Before assembly, please verify that the quantity is correct and that all frames, panels, and accessories are in good condition, as they are packed together in one carton.

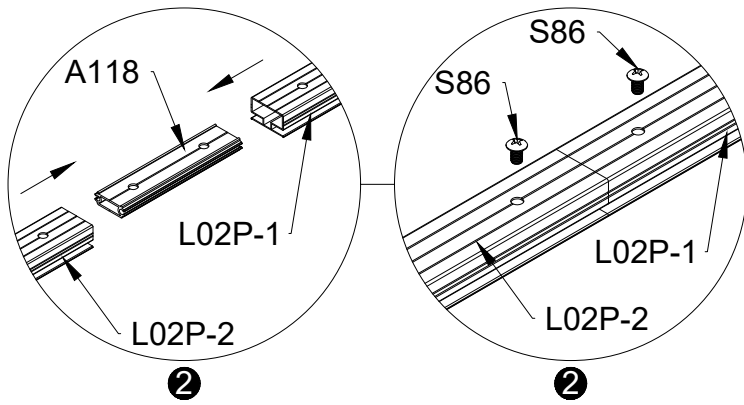
PART	NO	QTY
	L02R	1
	L02O-1	1
	L02O-2	1
	L02P-1	1
	L02P-2	1
	A117	2
	A118	2
	S86	6
	M4X10	
	Z44	4
	Ø4X20	

Door Assembly



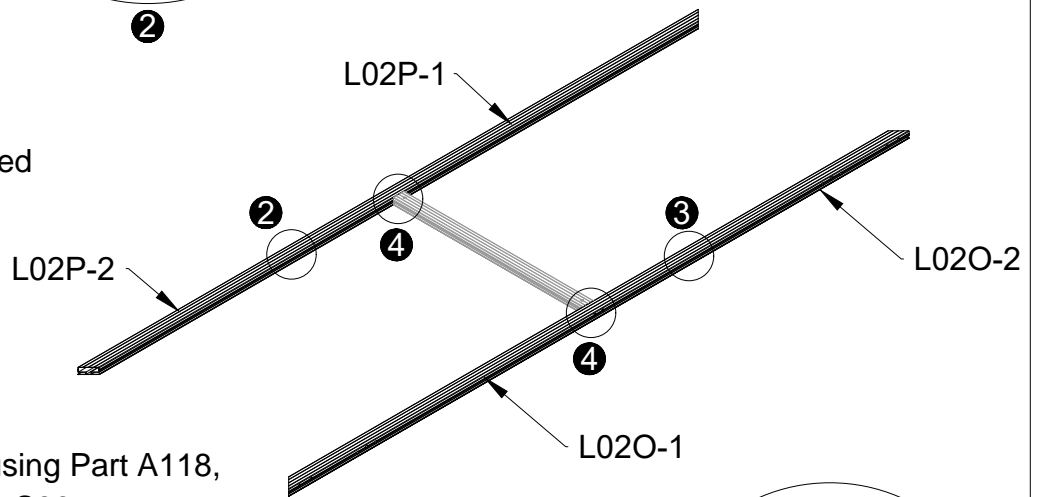
Insert A117 into both ends of L02R and secure them using S86.

Connect L02P-1 and L02P-2 using Part A118, secure the connection with Bolt S86.

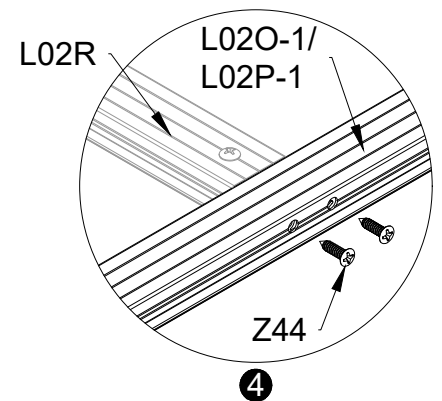
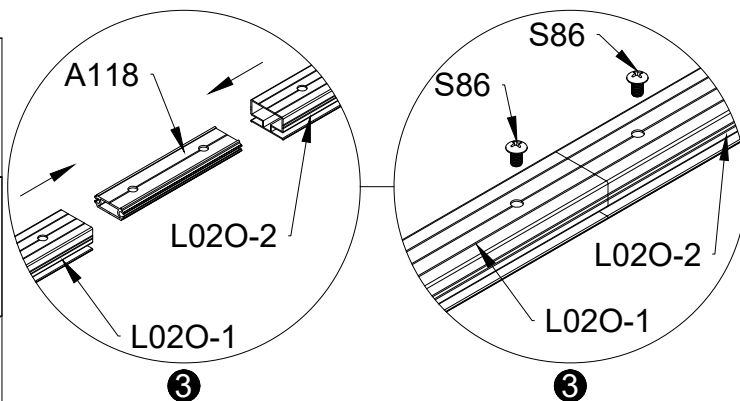
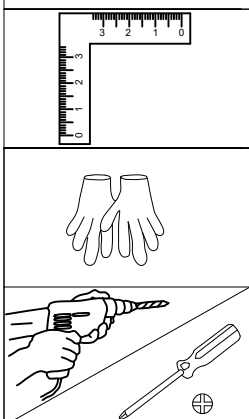


Note:

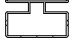


Ensure all the holes are aligned before tightening the screws.



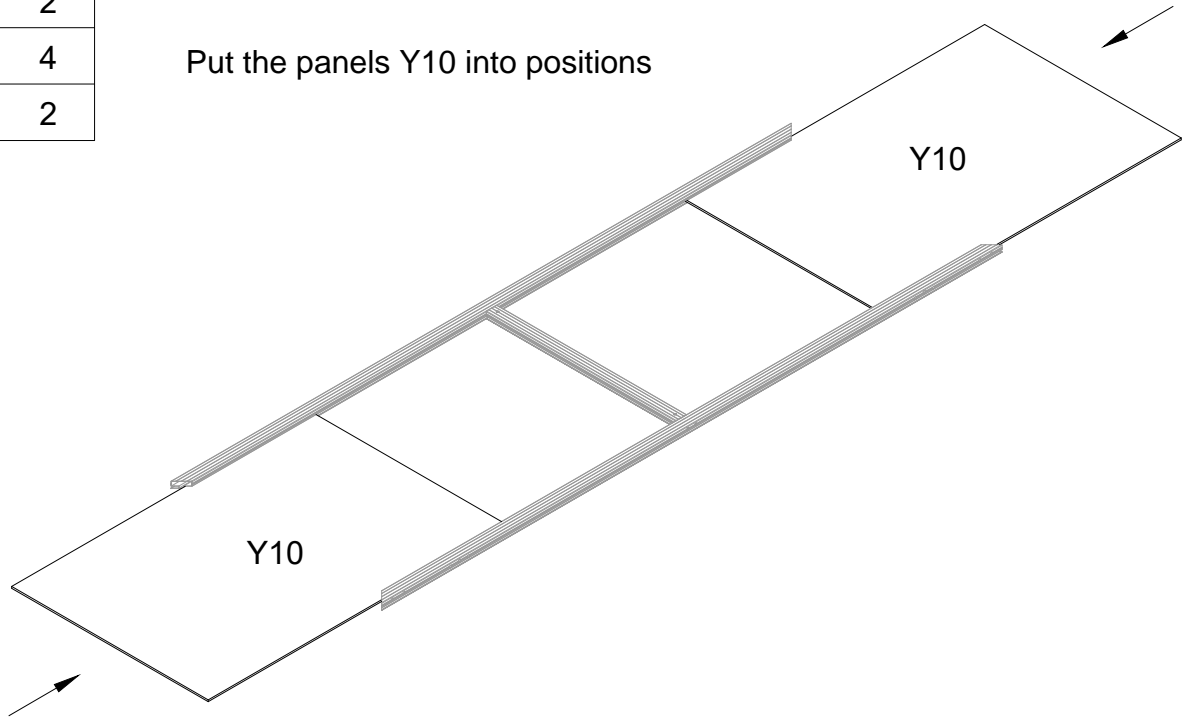
Connect L02O-1 and L02O-2 using Part A118, secure the connection with Bolt S86.



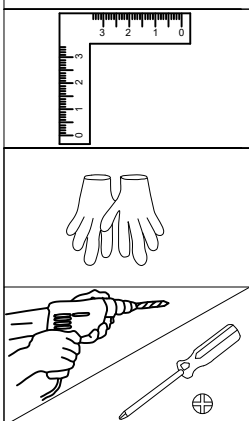
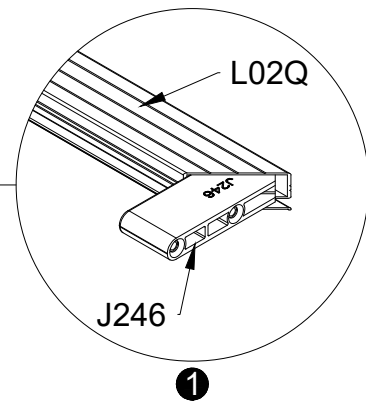
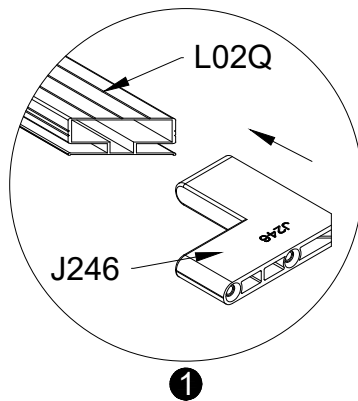
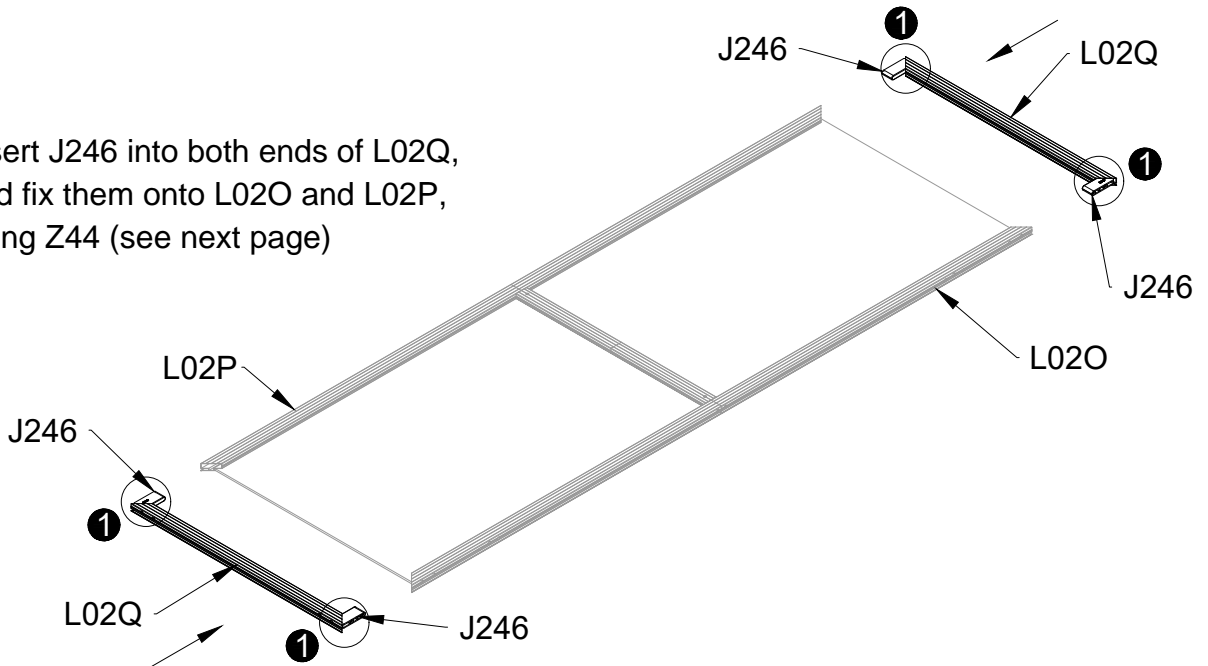
Fix L02R onto L02P-1/2 and L02O-1/2, using Z44.




PART	NO	QTY
	L02Q	2
	J246	4
	Y10	2

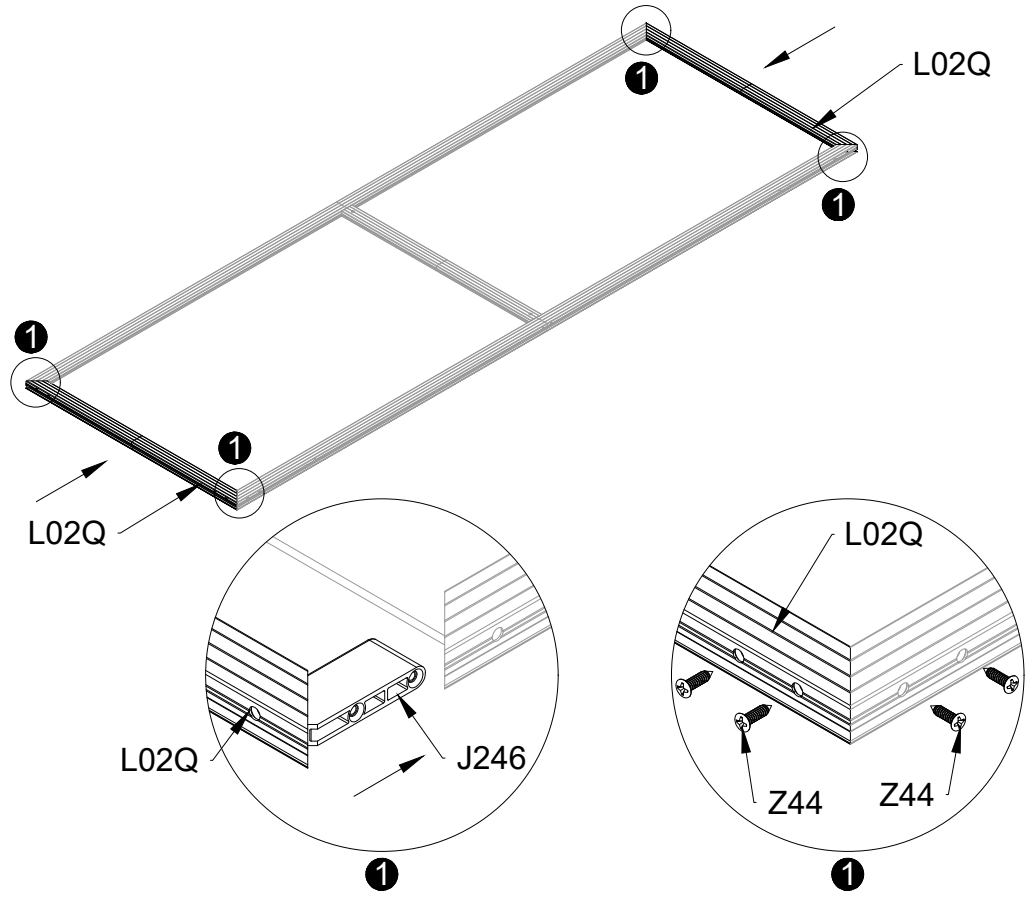
Put the panels Y10 into positions



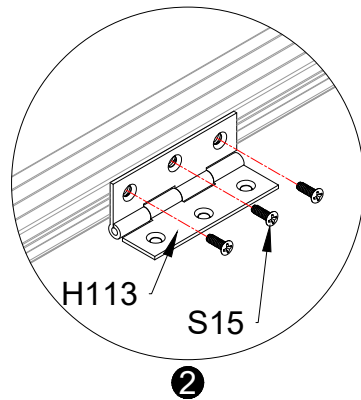
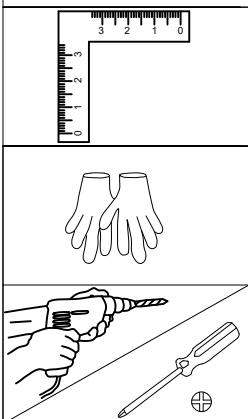
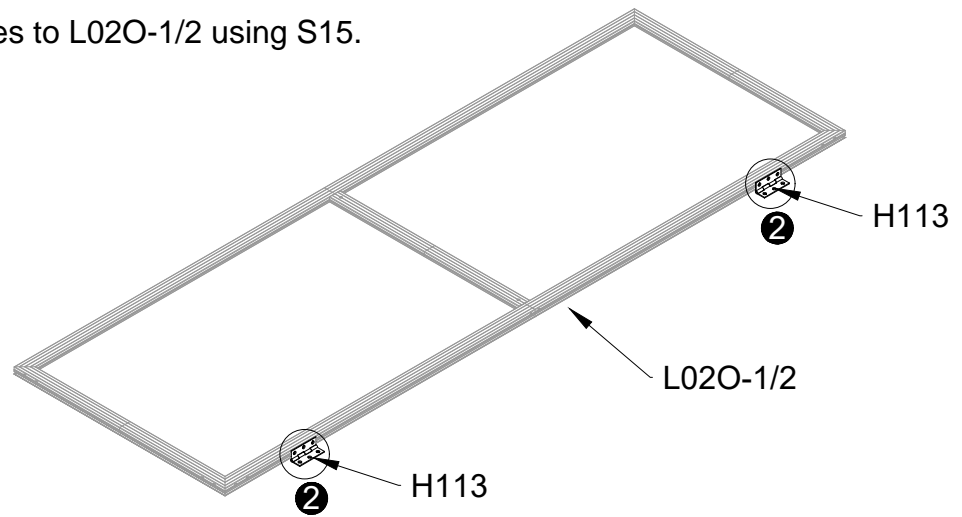
Insert J246 into both ends of L02Q, and fix them onto L02O and L02P, using Z44 (see next page)



PART	NO	QTY
	H113	2
	S15 M4X10	6
	Z44 Ø4X20	16

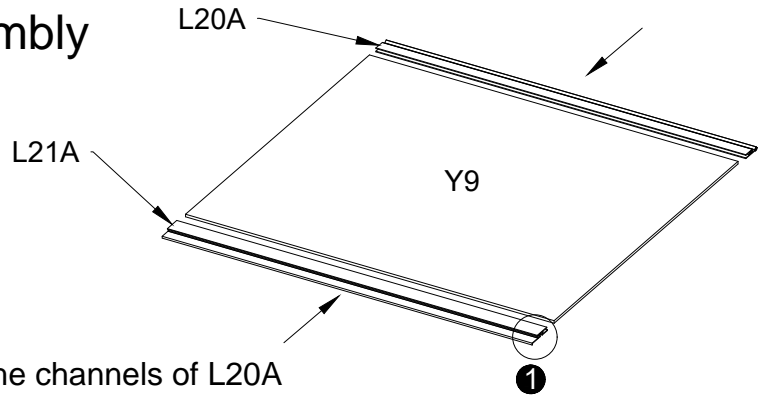


Attach two hinges to L02O-1/2 using S15.

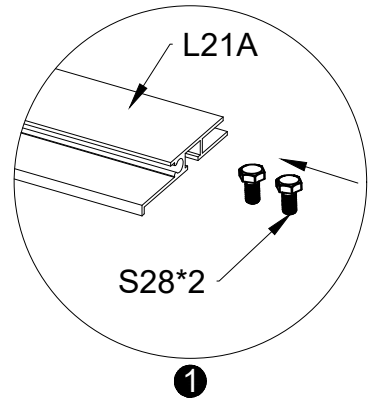
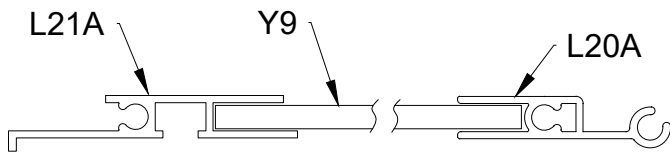


PART	NO	QTY
	L19A	2
	L20A	1
	L21A	1
	Y9	1
	S28 M4X10	2
	Z03 Ø4X12	4
	A111	1
	M02 M4	2

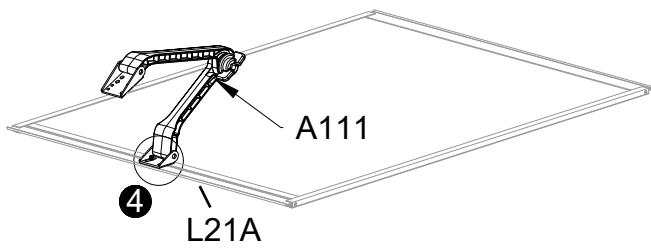
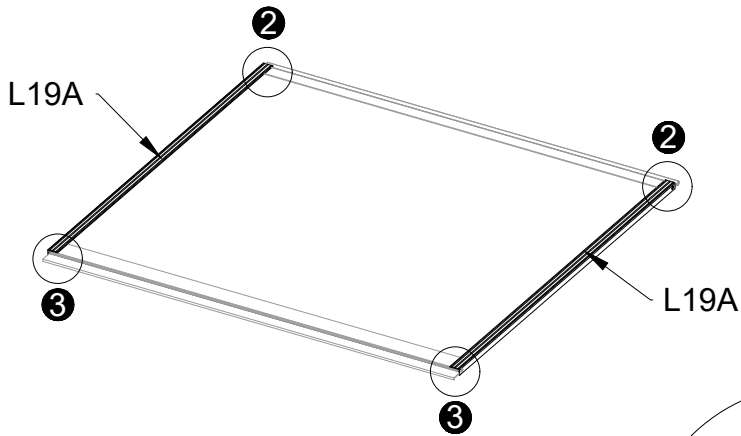
Window Assembly



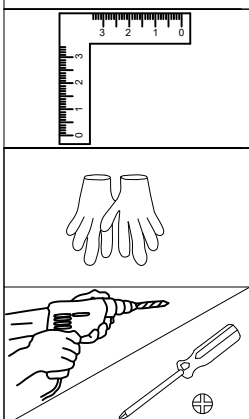
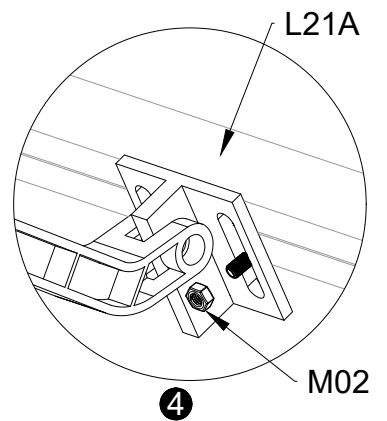
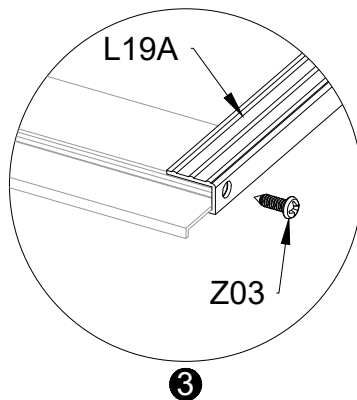
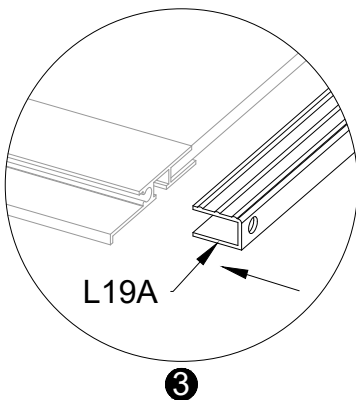
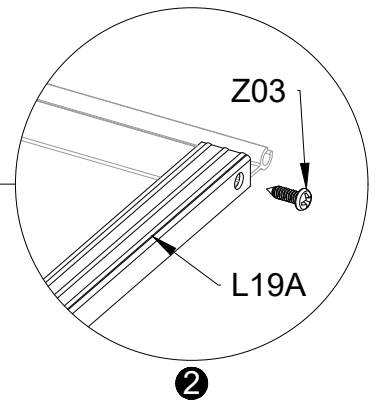
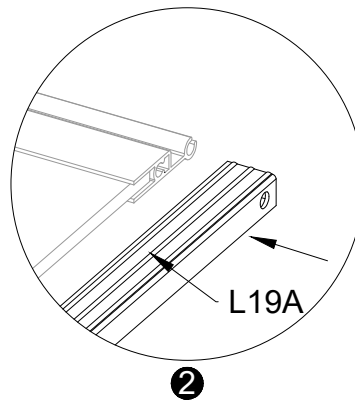
Insert panel Y9 into the channels of L20A and L21A as shown, then fix them with two L19A, secure them using Z03.

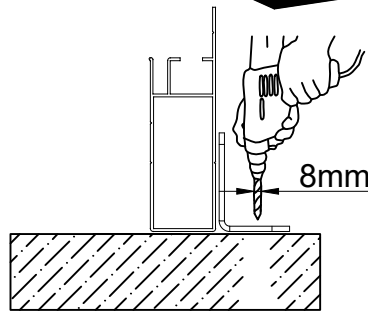
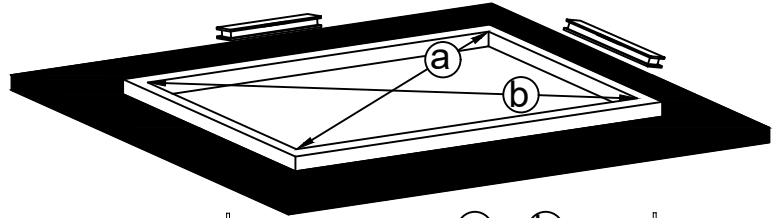
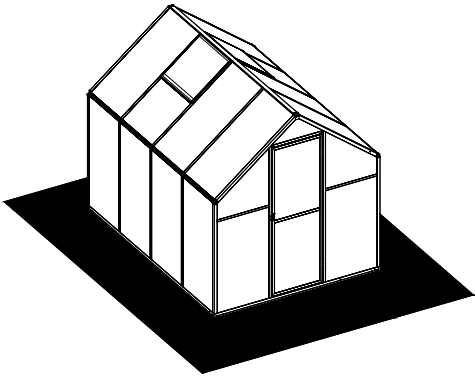


Slide 2 x S28 into the slot of L21A.

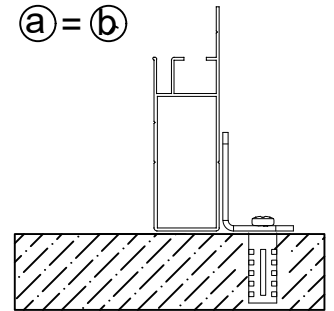


Fix part A111 onto L21A, using the bolts S28 preloaded and M02.



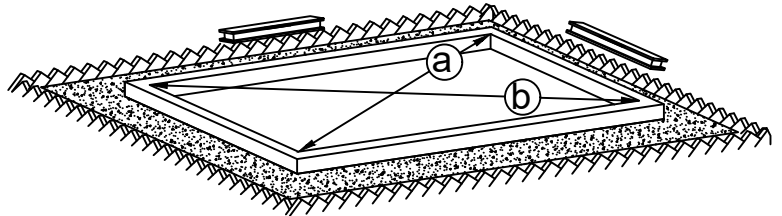
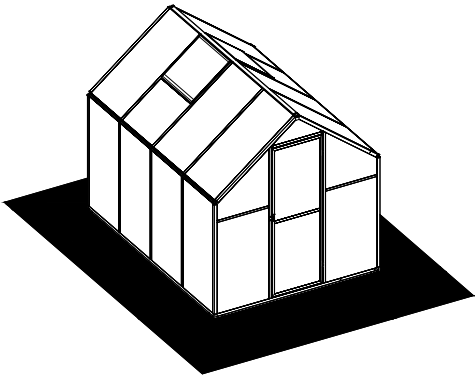


$a = b$

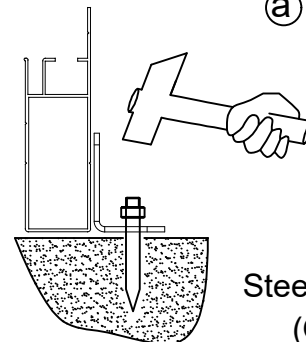


Expansion screw/
Concrete ground
(Standard)

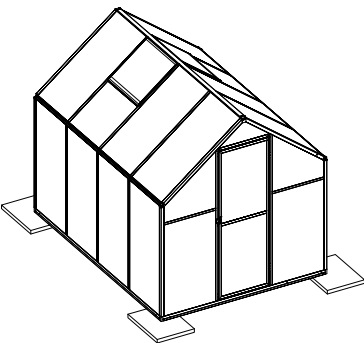
It is essential the dimensions $a + b$ are the same to ensure the base is square.







$a = b$



Steel pegs in soil
(Optional)

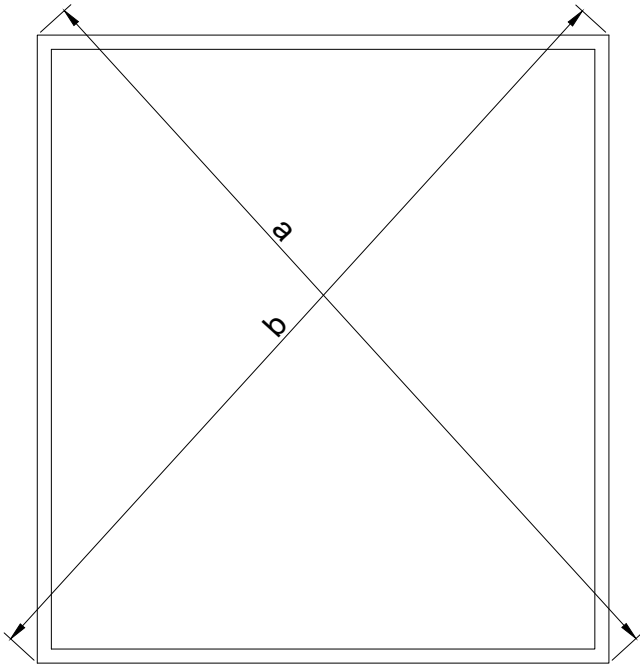


Support at the corners only is inadequate.

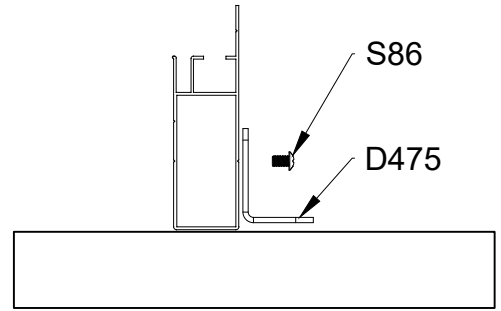
PART	NO	QTY
	D475	14
	J156	14
	Z13 ST5X40	14
	S86 M4X10	14

Attention:

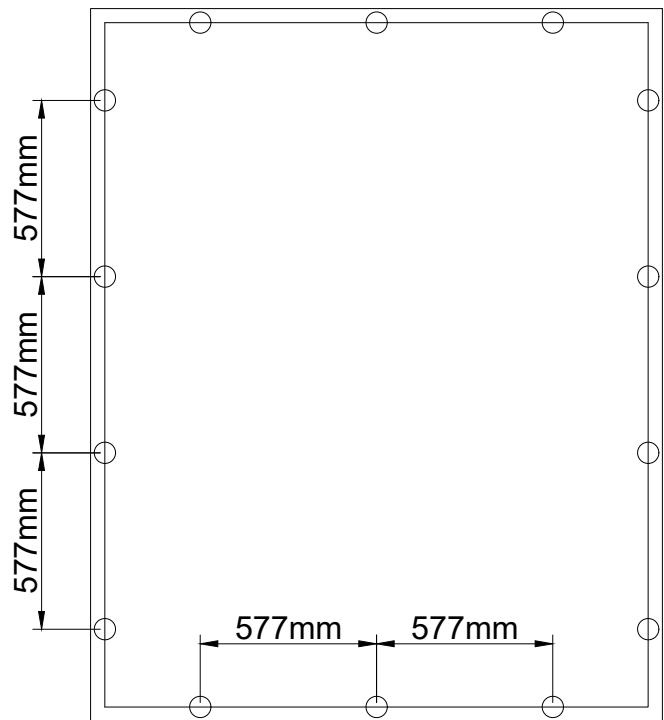
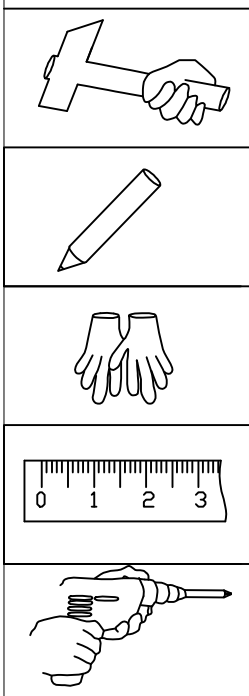
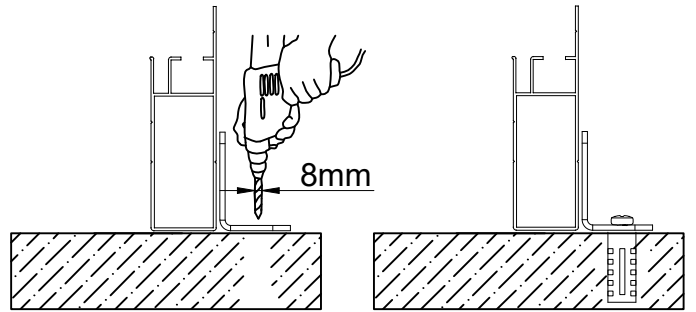
After installing the foundation, ensure that you pull the diagonal lines to verify that the foundation is square.



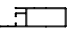
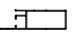




Ⓐ = Ⓑ
Door

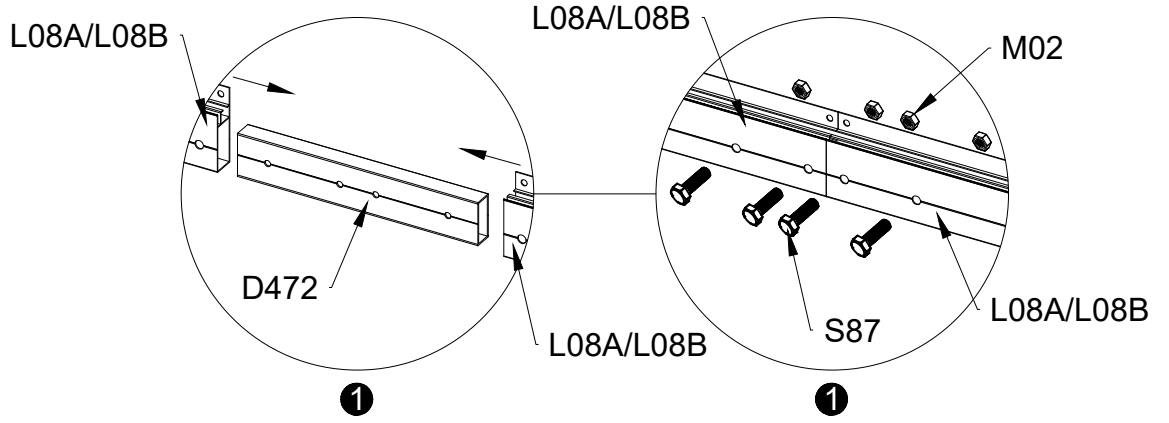


Expansion bolts assembly

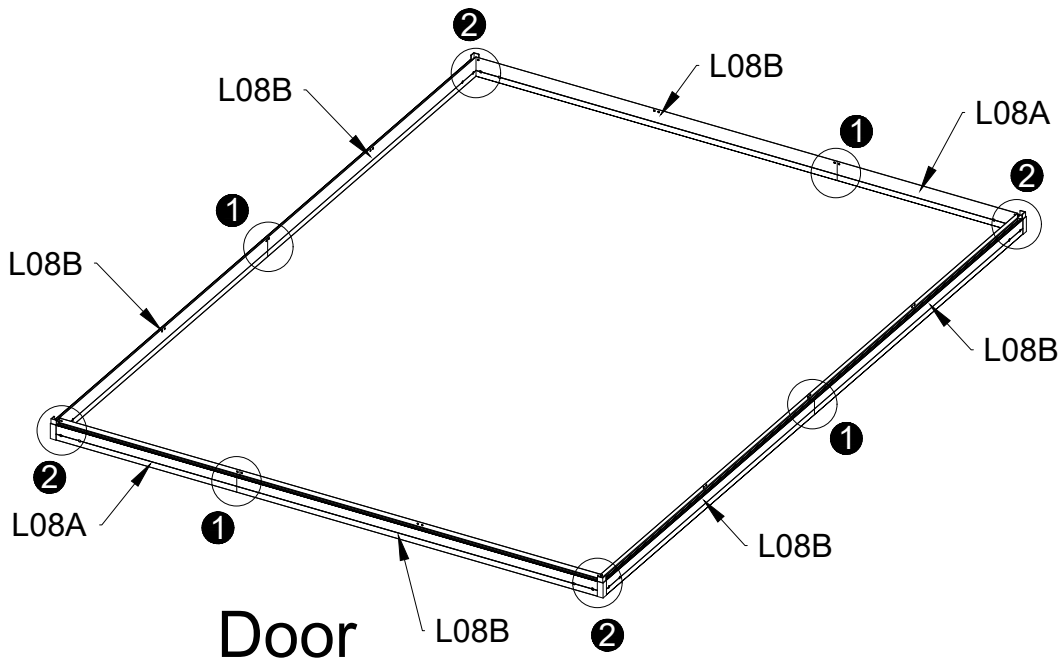


This layout illustrates the placement of the D475 units at the center of each glazing panel in every section.

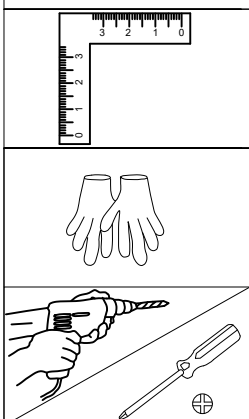
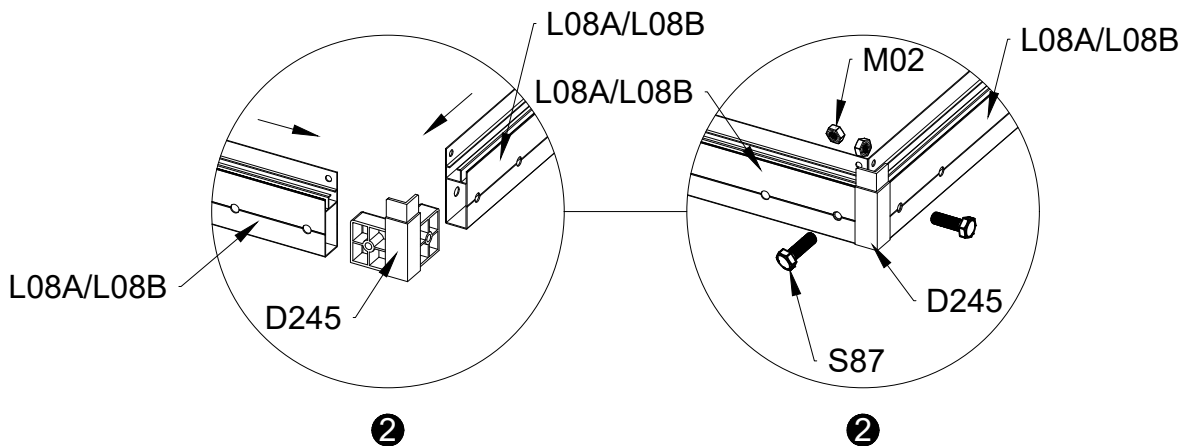
PART	NO	QTY
	L08A	2
	L08B	6
	D472	4
	J245	4
	S87 M4X25	24
	M02 M4	24






Use connector D472 to connect two L08B pieces together, or to connect one L08B with one L08A. Secure the connection with S87 bolts and M02 nuts.

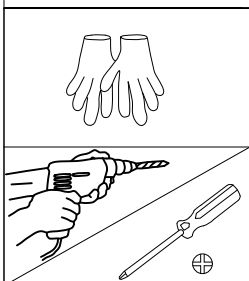
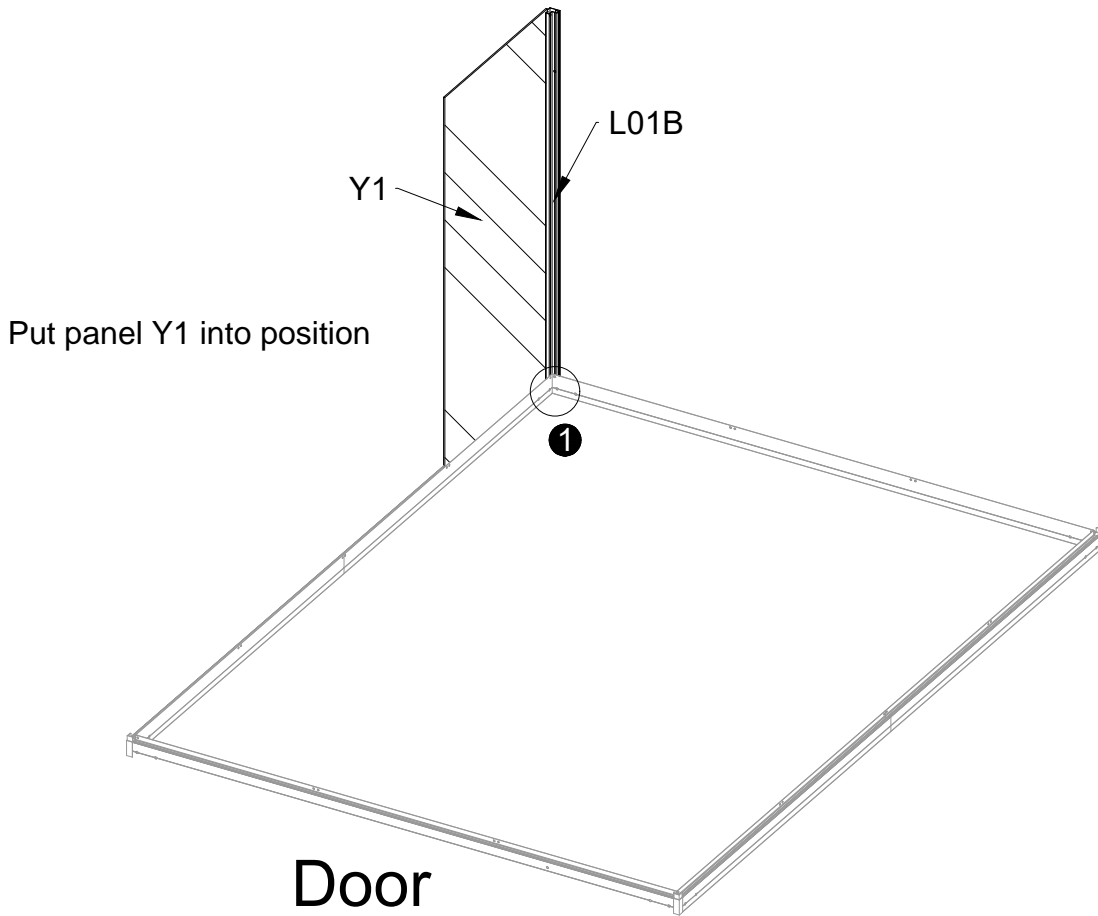
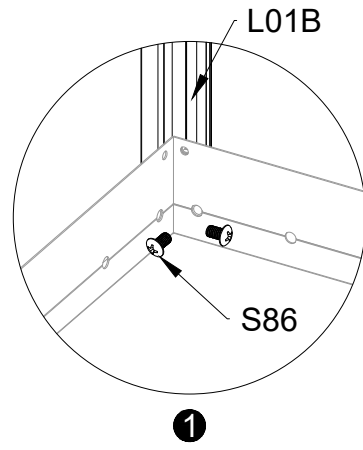




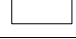



Insert corner connector D245 and connect the four aluminum pieces to form the square base. Secure the connections with S87 bolts and M02 nuts.

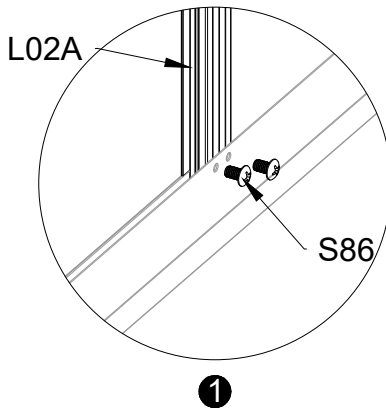


PART	NO	QTY
	L01B	1
	Y1	1
	S86 M4X10	2

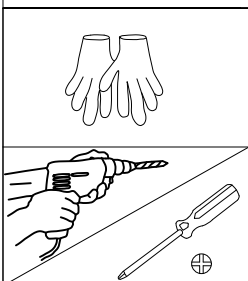
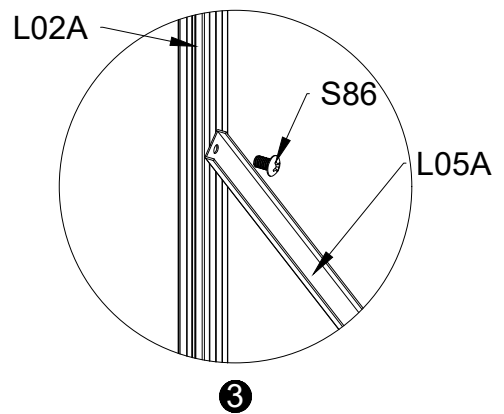
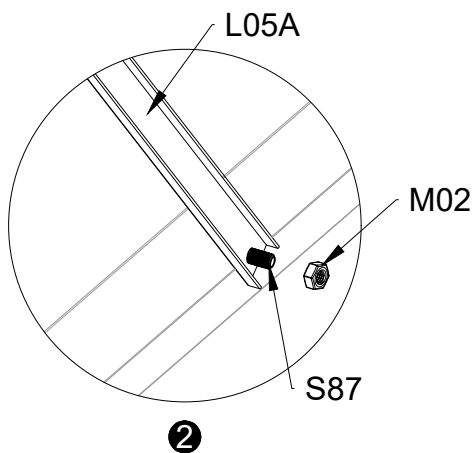
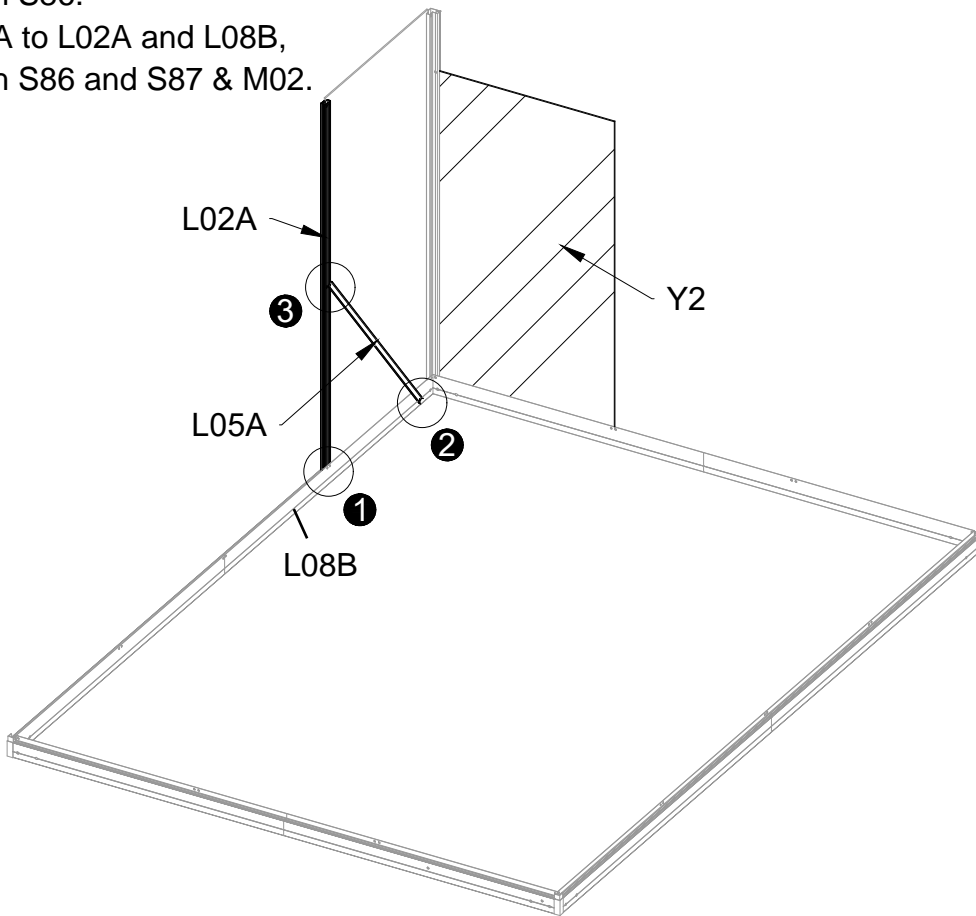
Attach the L01B to the angle as shown,
and secure it with the S86.








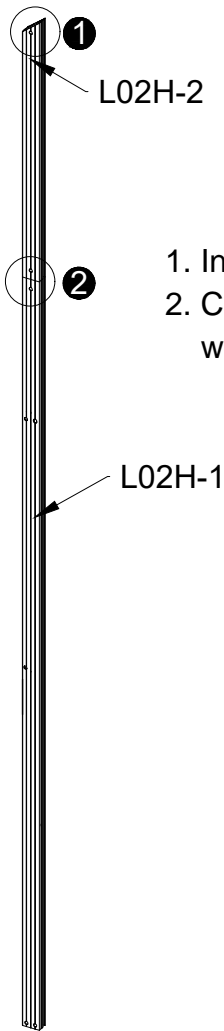
PART	NO	QTY
	L02A	1
	L05A	1
	Y2	1
	S86 M4X10	3
	S87 M4X25	1
	M02 M4	1



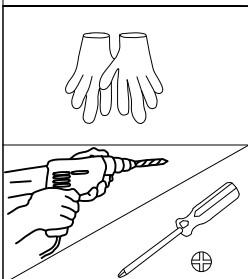
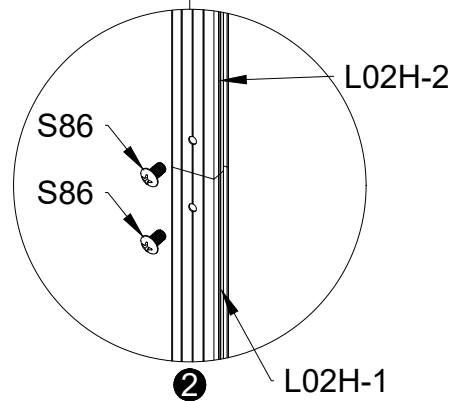
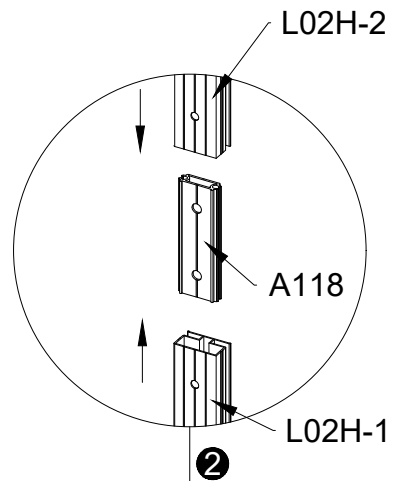
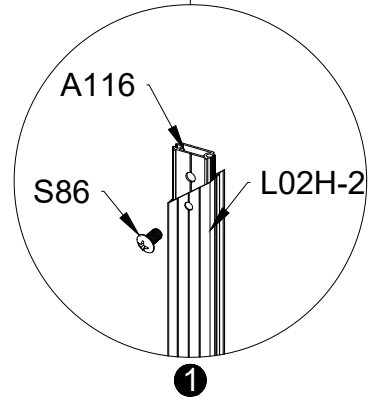
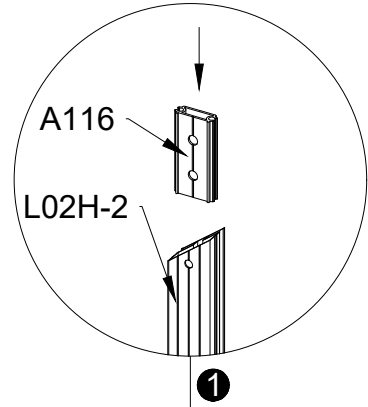
Attach L02A to the base profile L08B and secure it with S86. Then attach L05A to L02A and L08B, and secure it with S86 and S87 & M02.

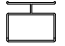






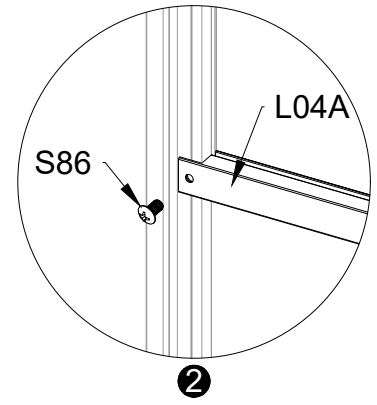
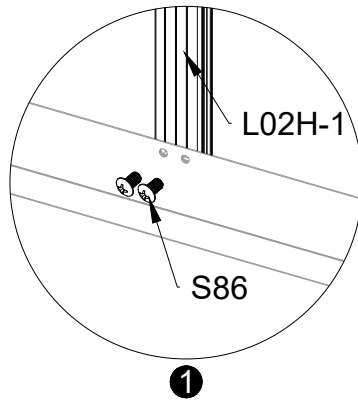
PART	NO	QTY
	L02H-1	1
	L02H-2	1
	A116	1
	A118	1
	S86	3
	M4X10	



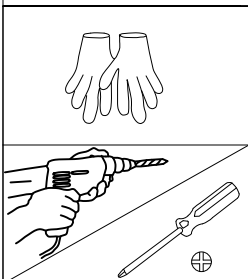
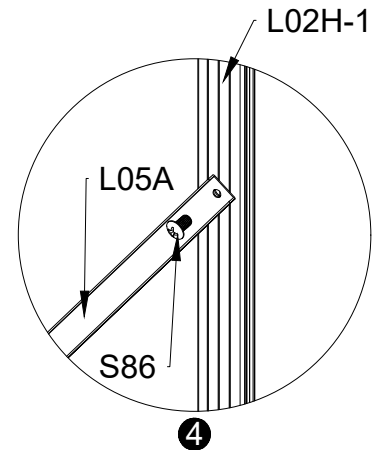
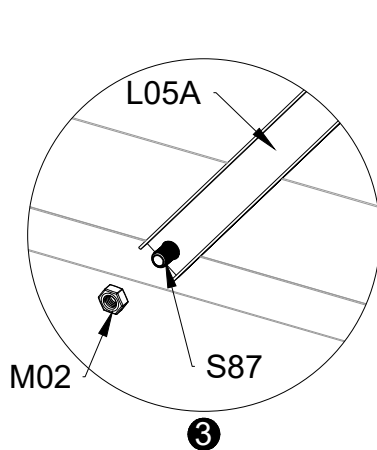
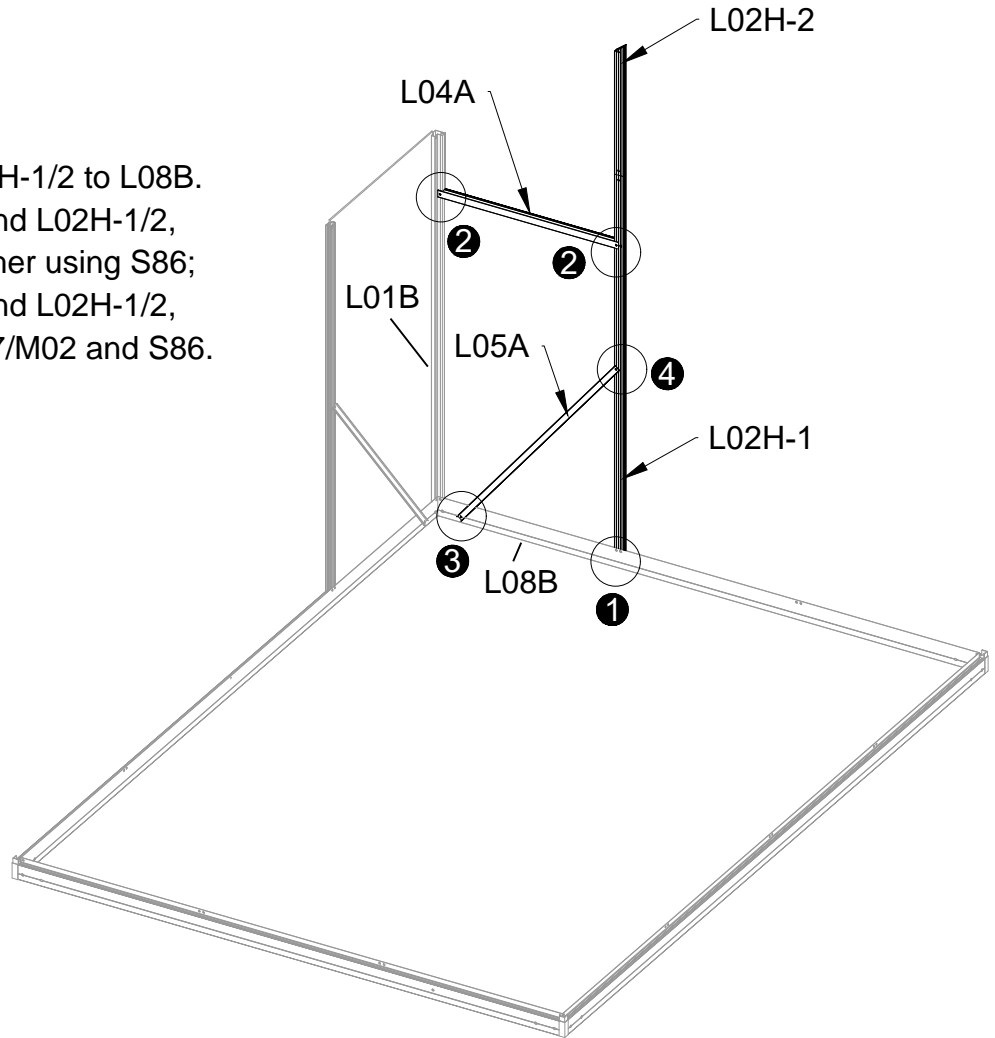
1. Insert one end of A116 into the tube of L02H-2 and secure it with S86.
2. Connect L02H-1 and L02H-2 using Connector A118, and secure them with S86.






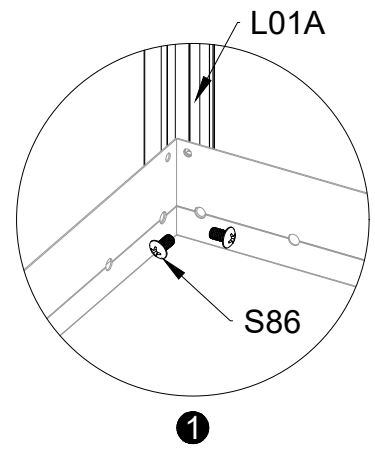
PART	NO	QTY
	L04A	1
	L05A	1
	S86 M4X10	5
	S87 M4X25	1
	M02 M4	1



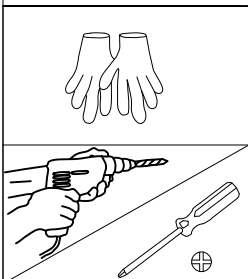
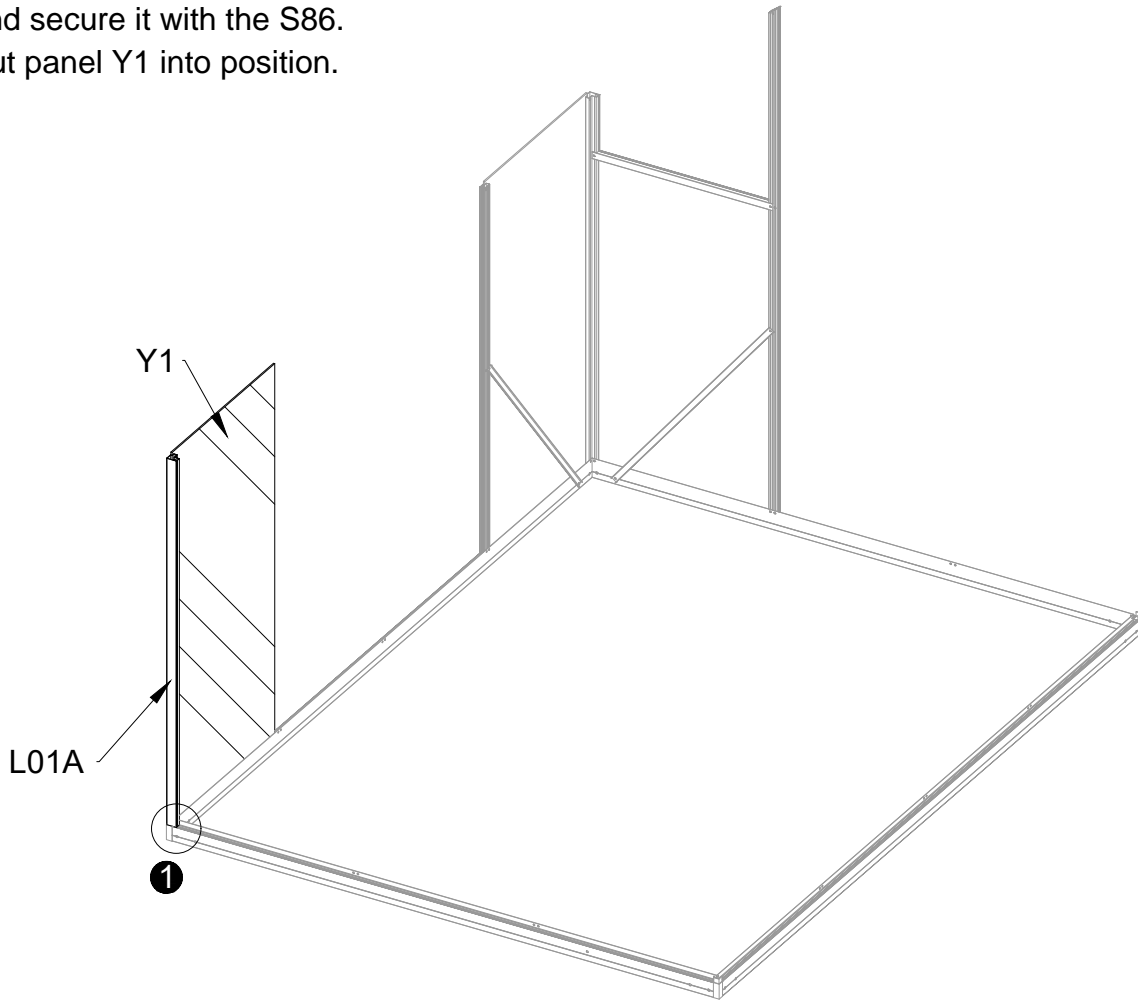
1. Use S86 to secure L02H-1/2 to L08B.
2. Attach L04A to L01B and L02H-1/2, and secure them together using S86;
3. Attach L05A to L08B and L02H-1/2, and secure it using S87/M02 and S86.








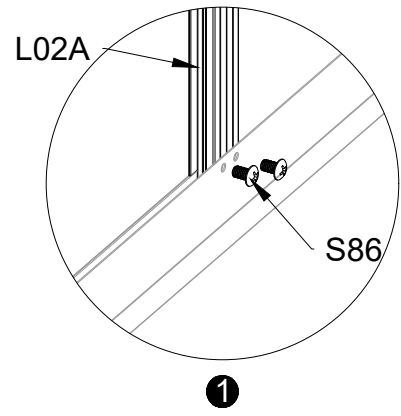
PART	NO	QTY
	L01A	1
	Y1	1
	S86 M4X10	2



Attach the L01A to the angle as shown,
and secure it with the S86.
Put panel Y1 into position.

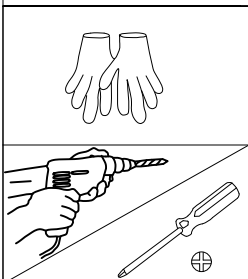
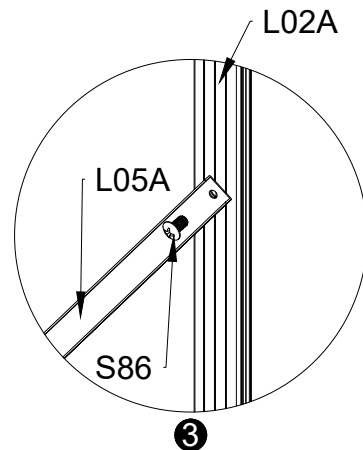
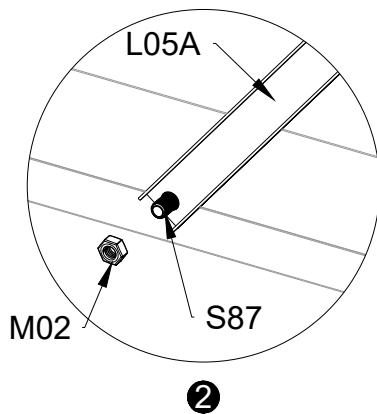
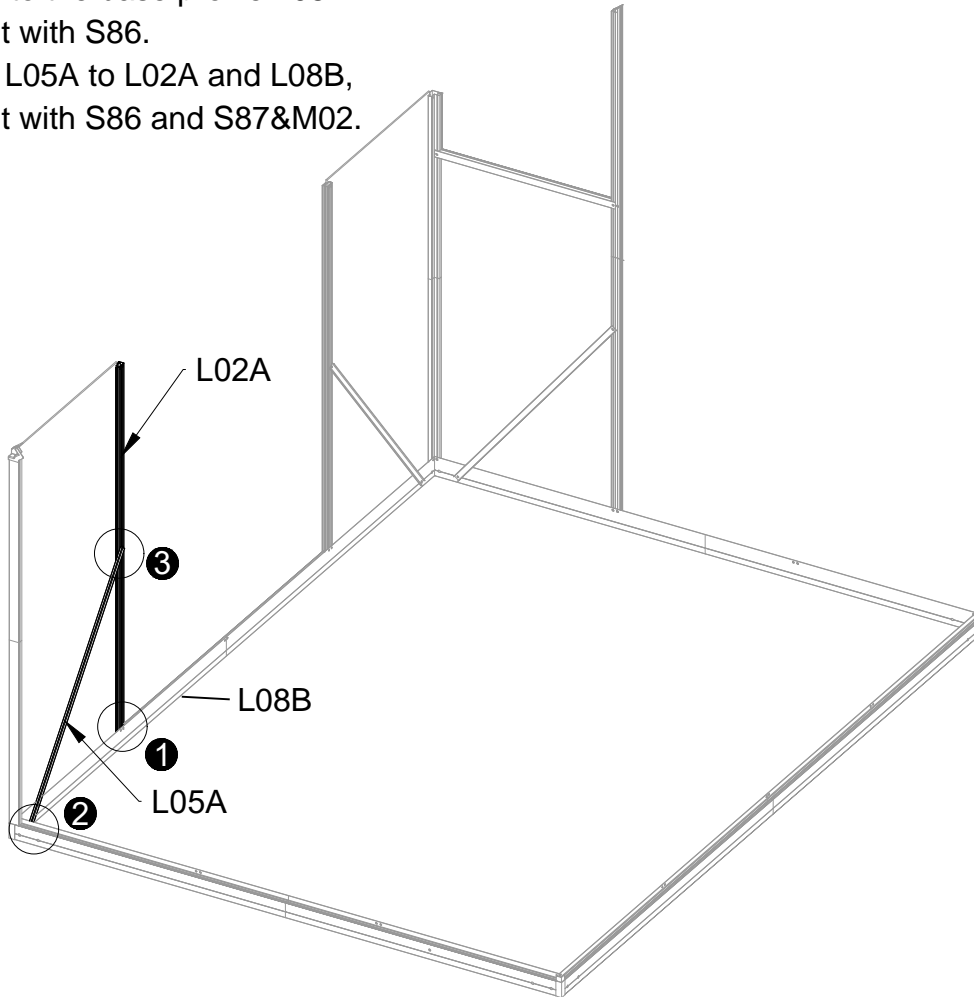


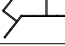



PART	NO	QTY
	L02A	1
	L05A	1
	S86	3
	M4X10	
	S87	1
	M4X25	
	M02	1
	M4	

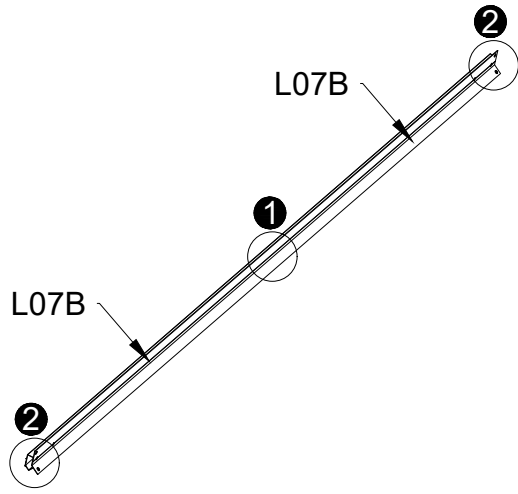
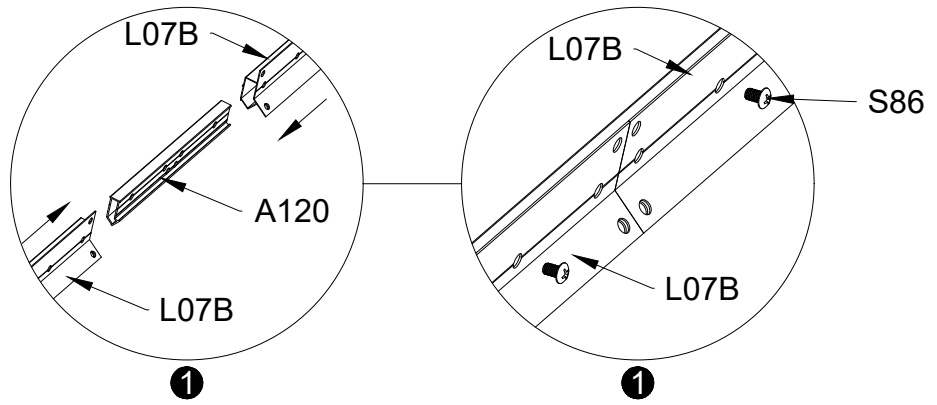


Attach L02A to the base profile L08B and secure it with S86.

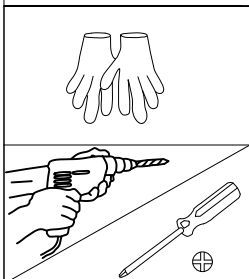
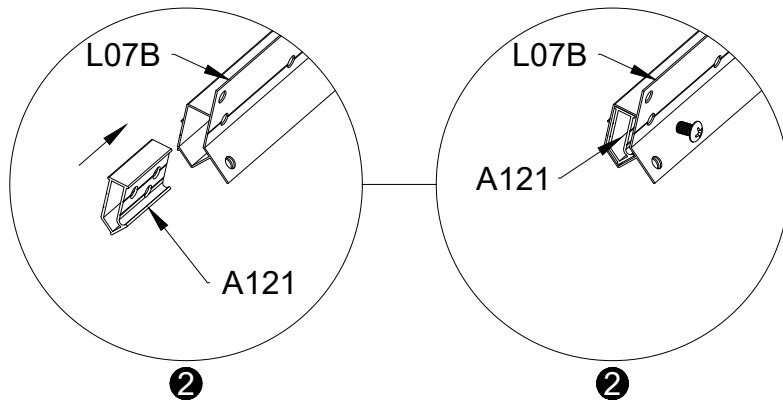
Then attach L05A to L02A and L08B, and secure it with S86 and S87&M02.





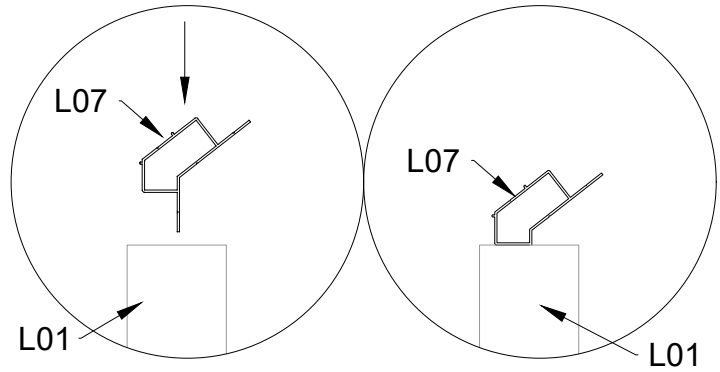
PART	NO	QTY
	L07B	2
	A120	1
	A121	2
	S86 M4X10	4



Connect the two L07B pieces with A120 and secure them using S86
 Insert A121 into each end of the connected L07B. Secure them with S86

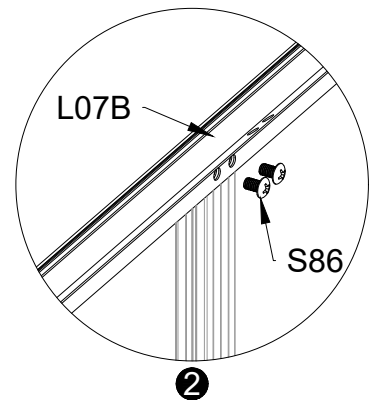
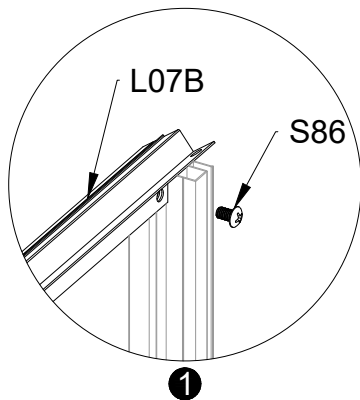
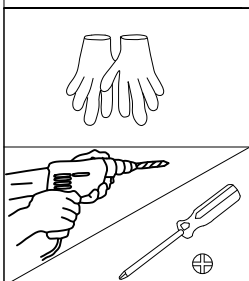
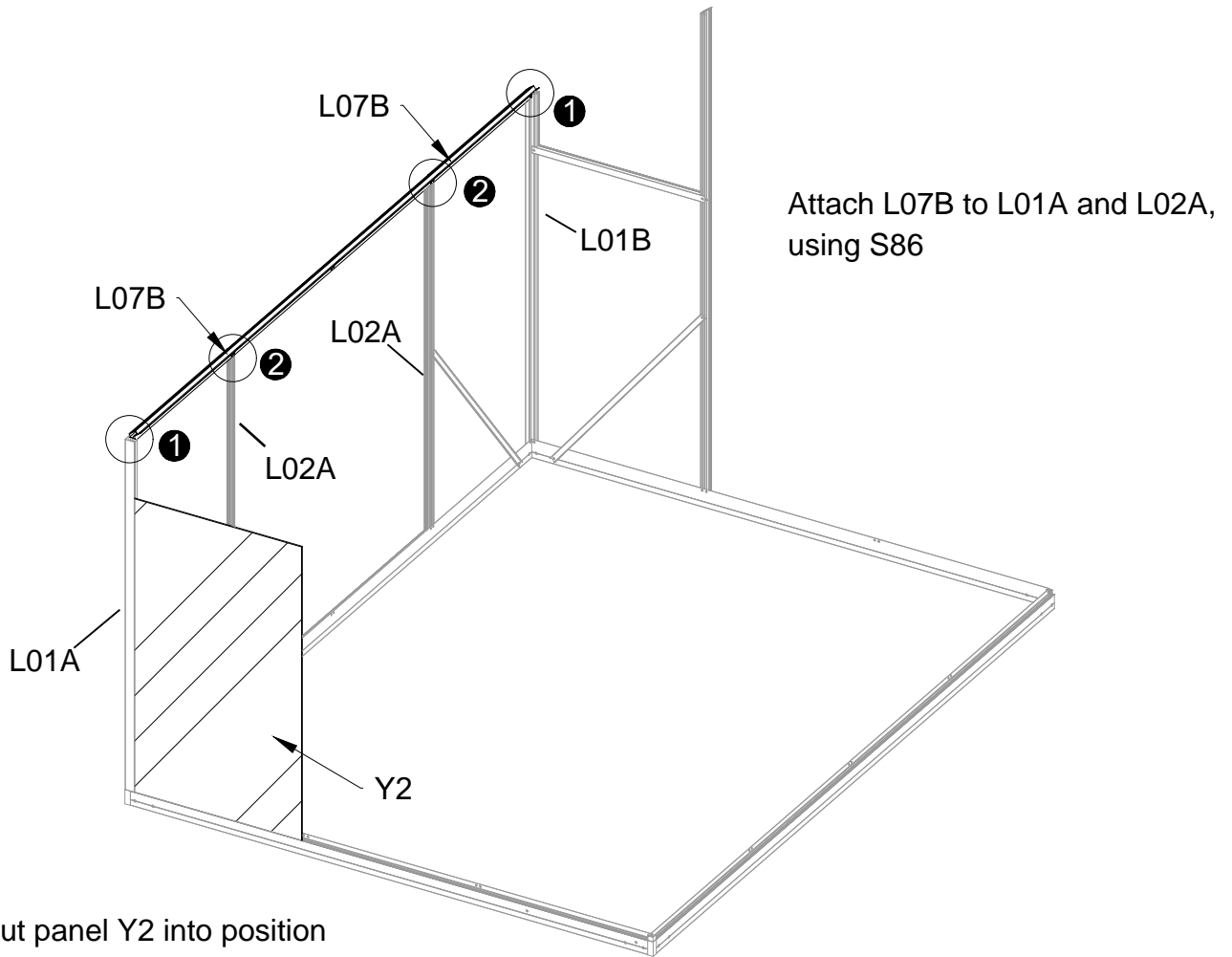







PART	NO	QTY
	Y2	1
	S86 M4X10	6

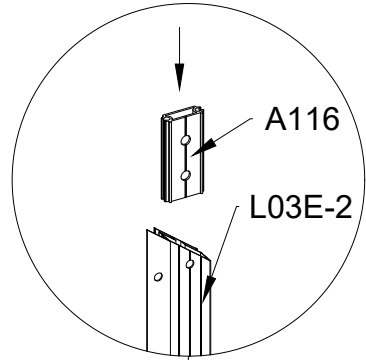


Attention:

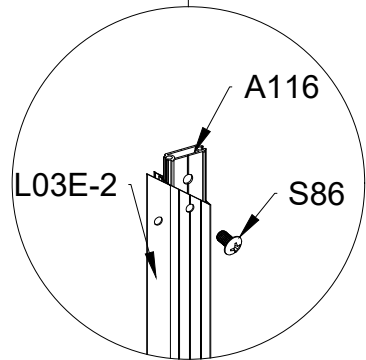
Ensure the L07B pieces are placed in the correct direction when attaching them to L01A, L01B and L02A, then secure with screws.



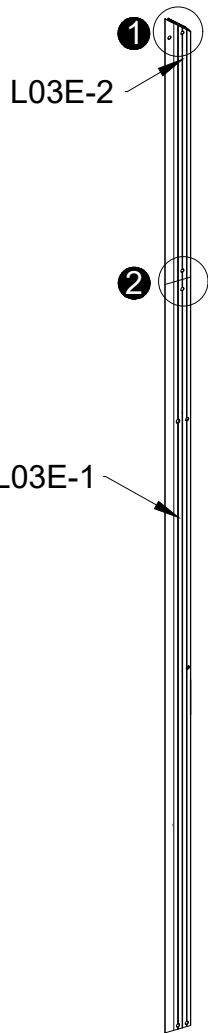
PART	NO	QTY
	L03E-1	1
	L03E-2	1
	A116	1
	A118	1
	S86	3
	M4X10	



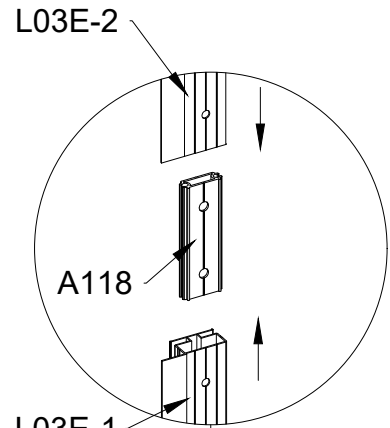
①



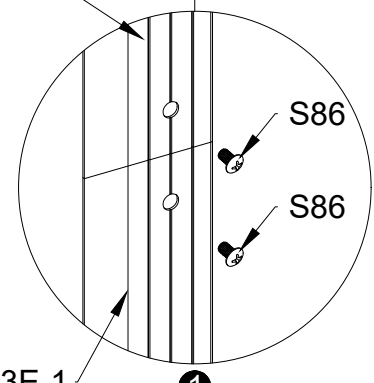
①



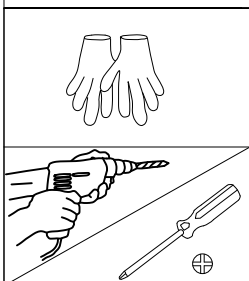
1. Insert one end of A116 into the tube of L03E-2 and secure it with S86.
2. Connect L03E-1 and L03E-2 using Connector A118, and secure them with S86.


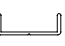
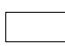





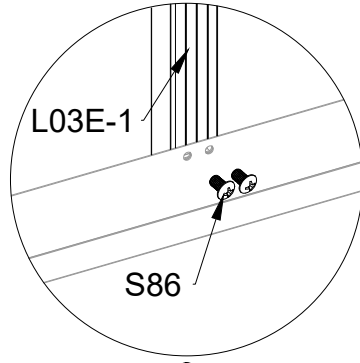
①



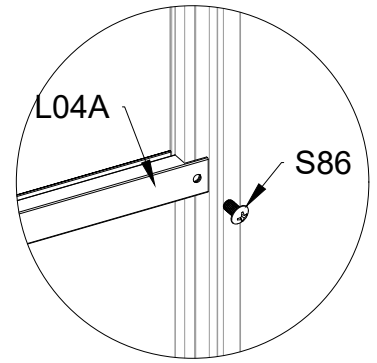
①



PART	NO	QTY
	L04A	1
	L05A	1
	Y2	1
	S86 M4X10	5
	S87 M4X25	1
	M02 M4	1

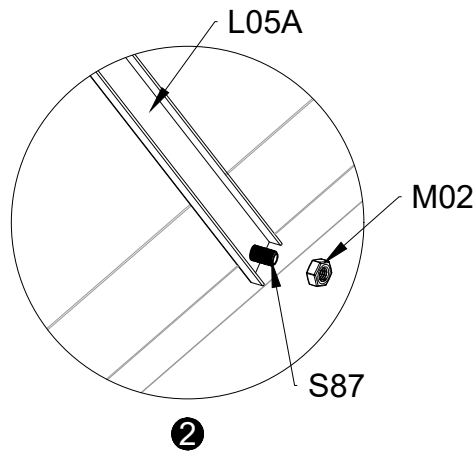
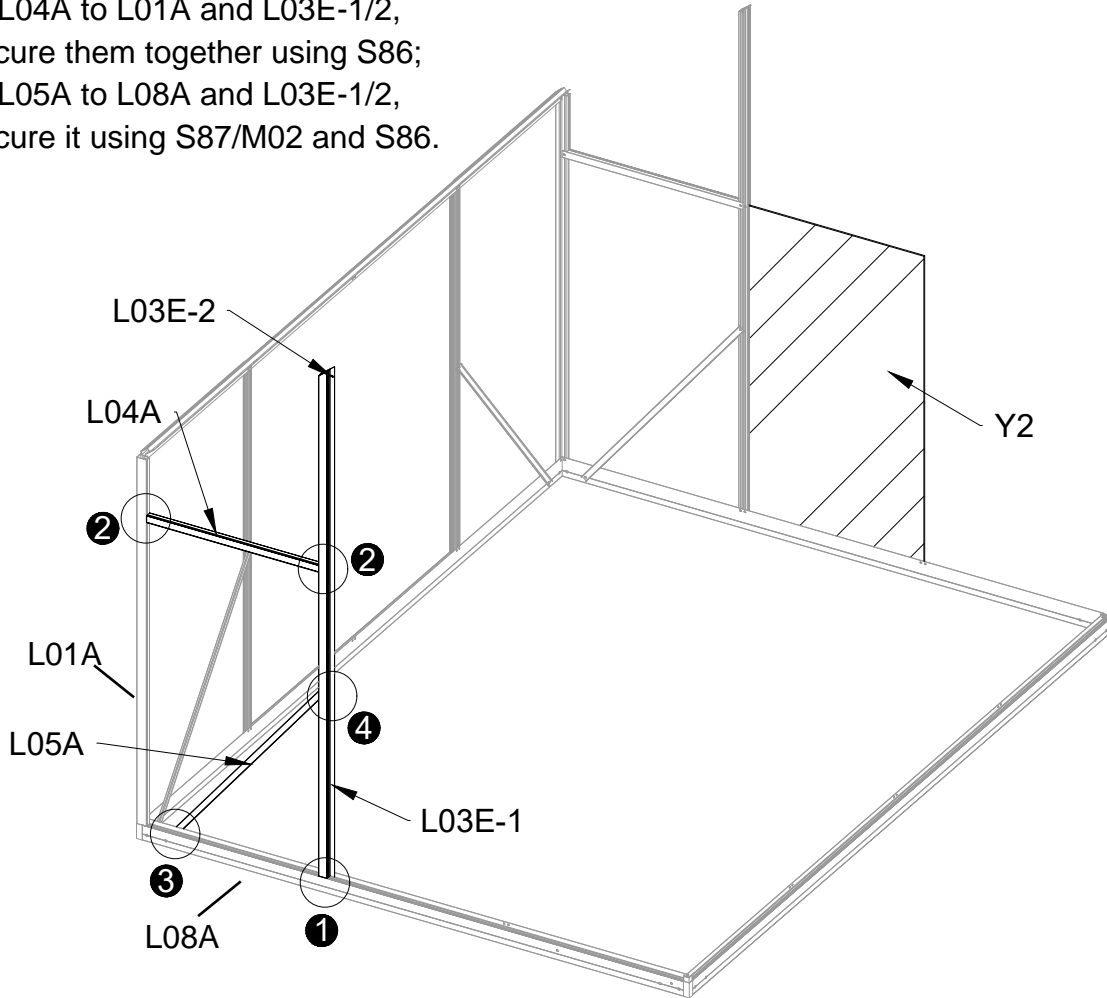


①

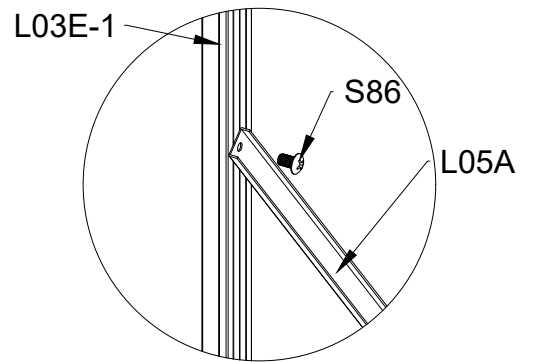


②

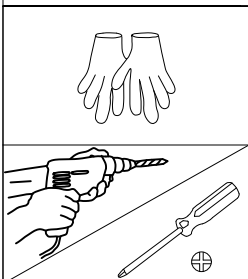
1. Use S86 to secure L03E-1/2 to L08A.
2. Attach L04A to L01A and L03E-1/2, and secure them together using S86;
3. Attach L05A to L08A and L03E-1/2, and secure it using S87/M02 and S86.










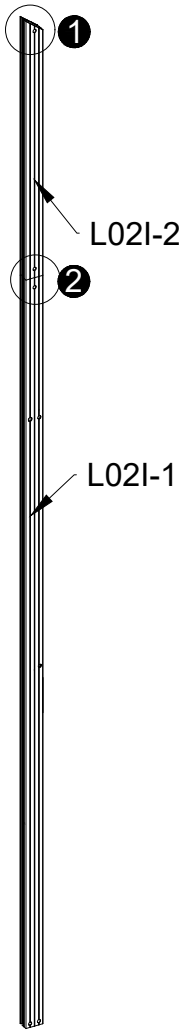
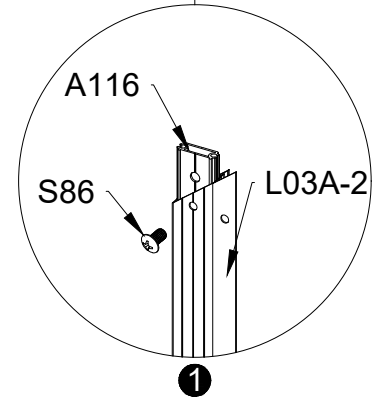
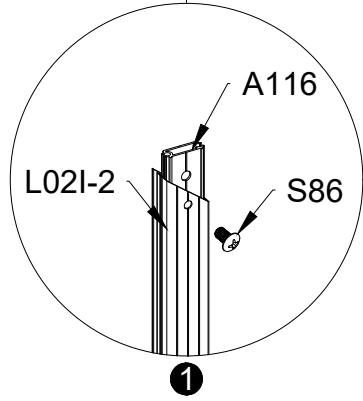
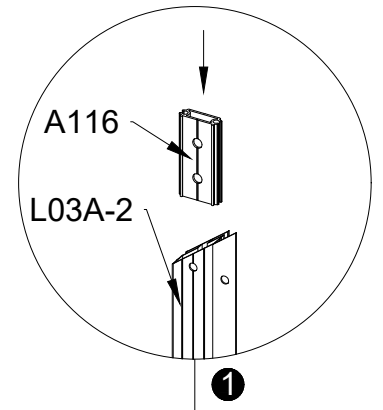
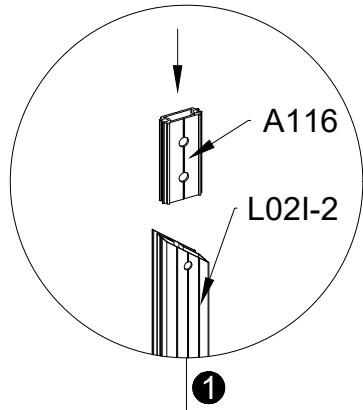
②



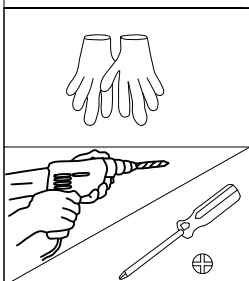
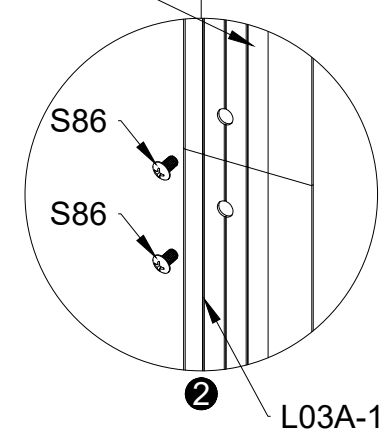
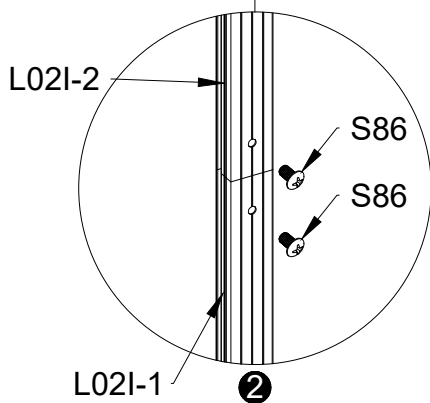
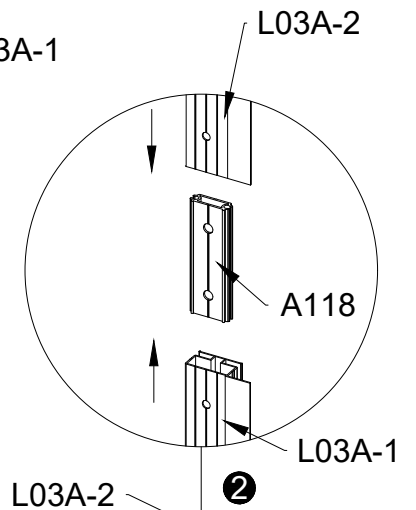
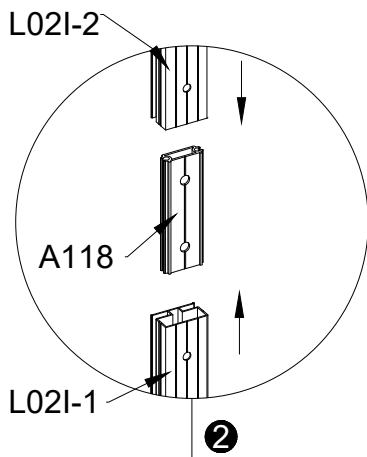
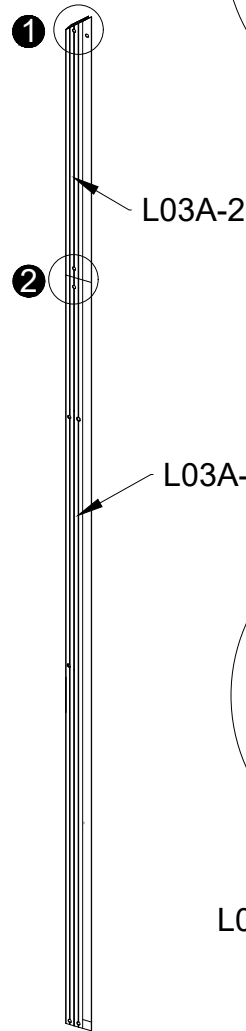
③


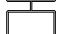



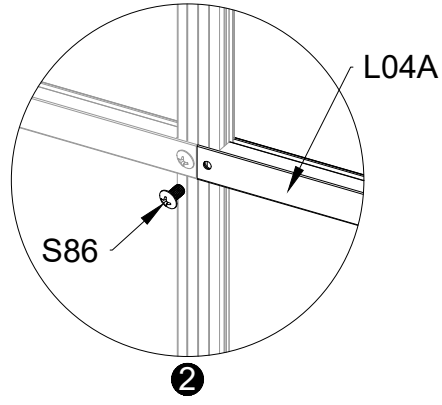
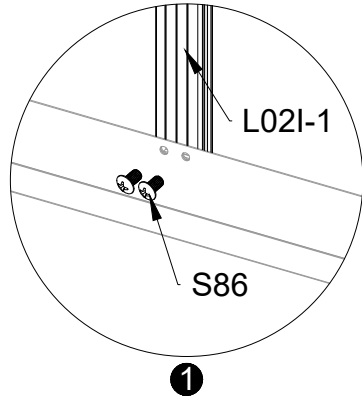
PART	NO	QTY
	L02I-1	1
	L02I-2	1
	L03A-1	1
	L03A-2	1
	A116	2
	A118	2
	S86	6
	M4X10	



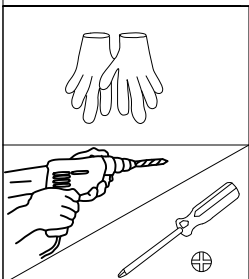
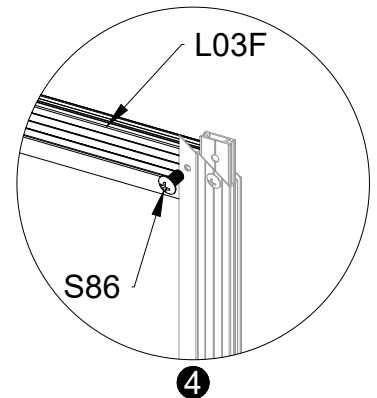
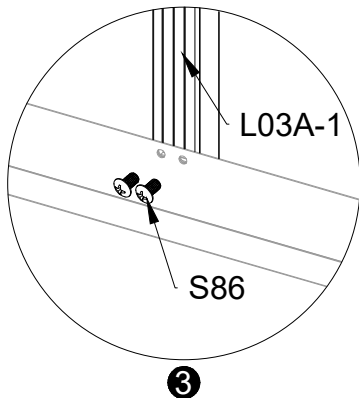
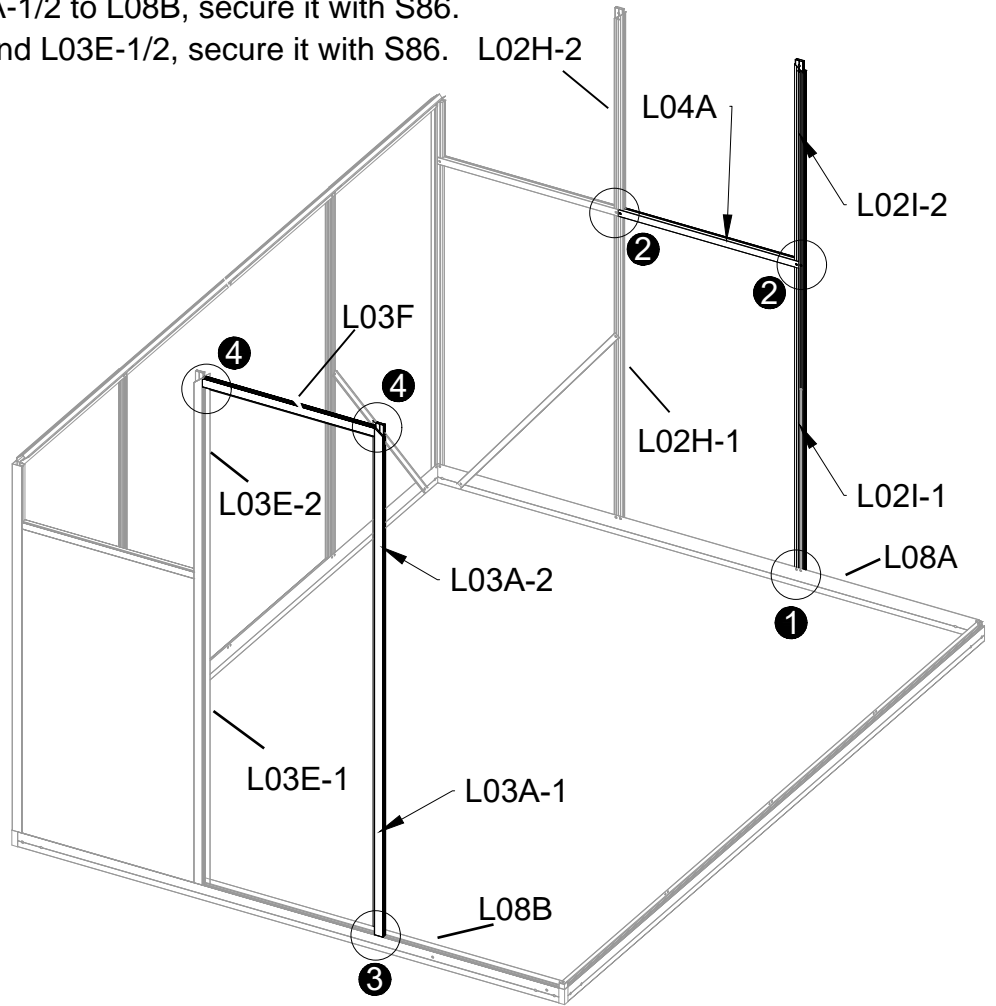
1. Insert one end of A116 into the tube of L02I-2 and secure it with S86.
2. Connect L02I-1 and L02I-2 using connector A118, secure them using S86.
3. Connect L03A-1 and L03A-2 the same way as above.







PART	NO	QTY
	L03F	1
	L04A	1
	S86 M4X10	8

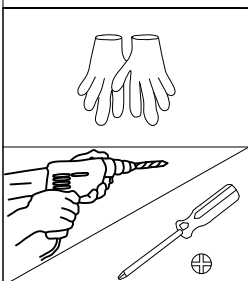
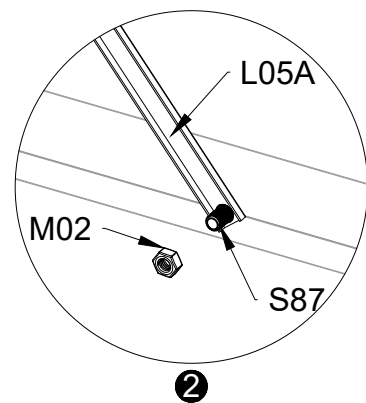
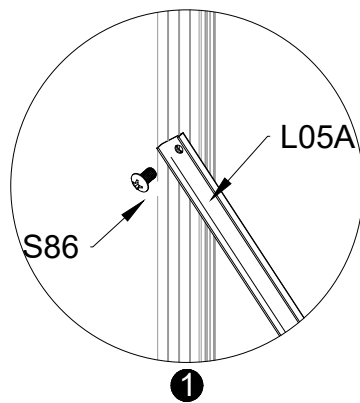
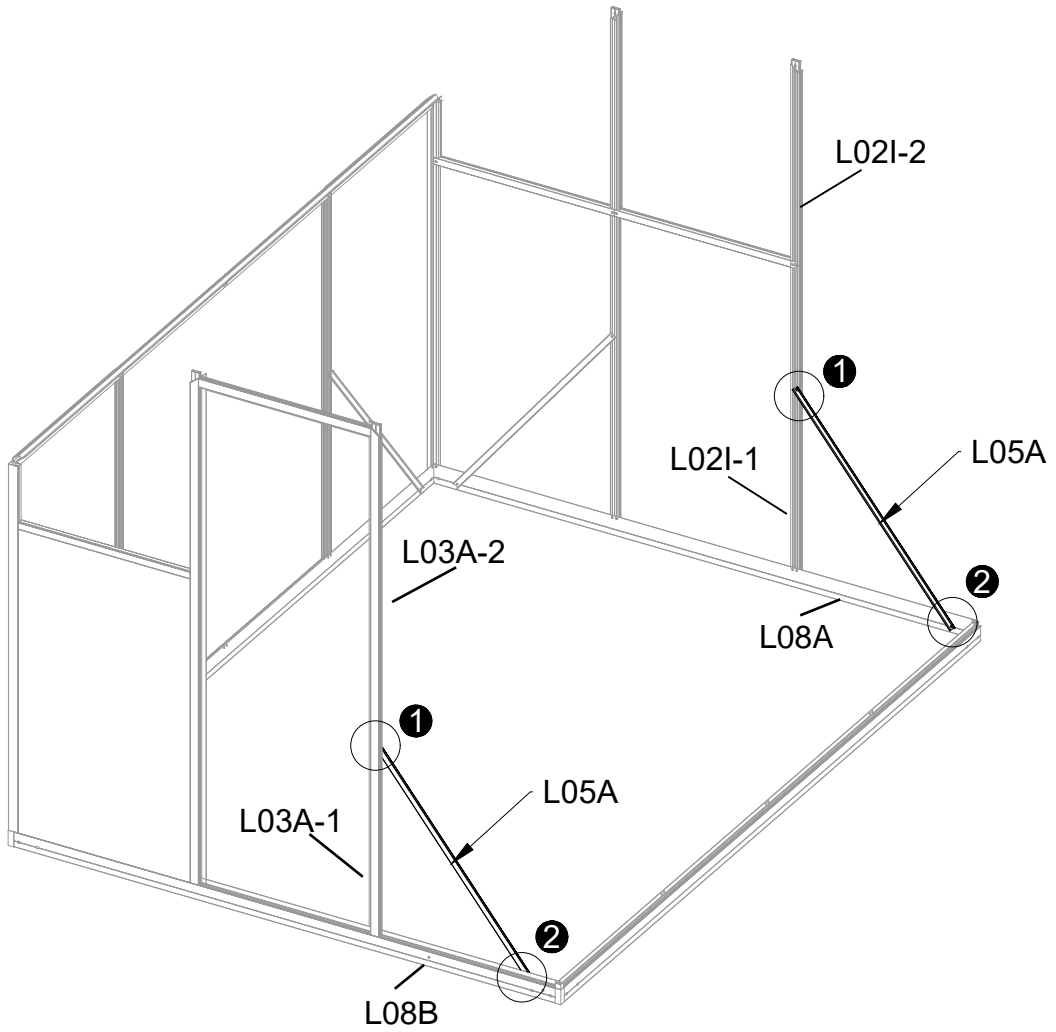



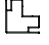



1. Attach the connected L02I to L08A, secure it with S86.
2. Attach L04A to L02H-1/2 and L02I-1/2, secure it with S86.
3. Attach the connected L03A-1/2 to L08B, secure it with S86.
4. Attach L03F to L03A-1/2 and L03E-1/2, secure it with S86.

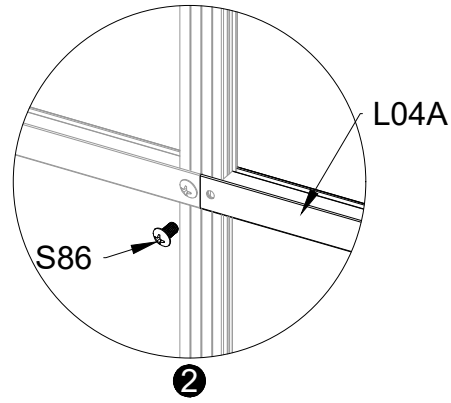
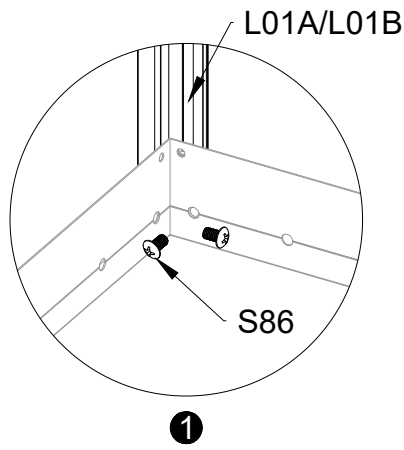


PART	NO	QTY
	L05A	2
	S86 M4X10	2
	S87 M4X25	2
	M02 M4	2

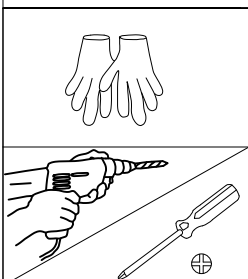
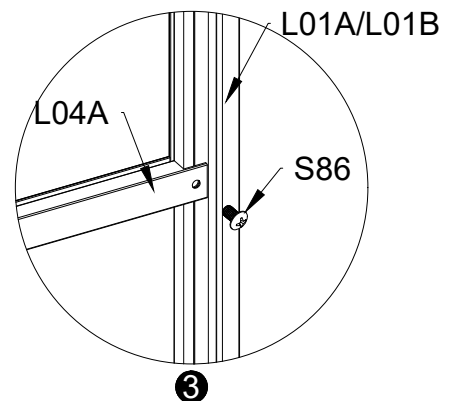
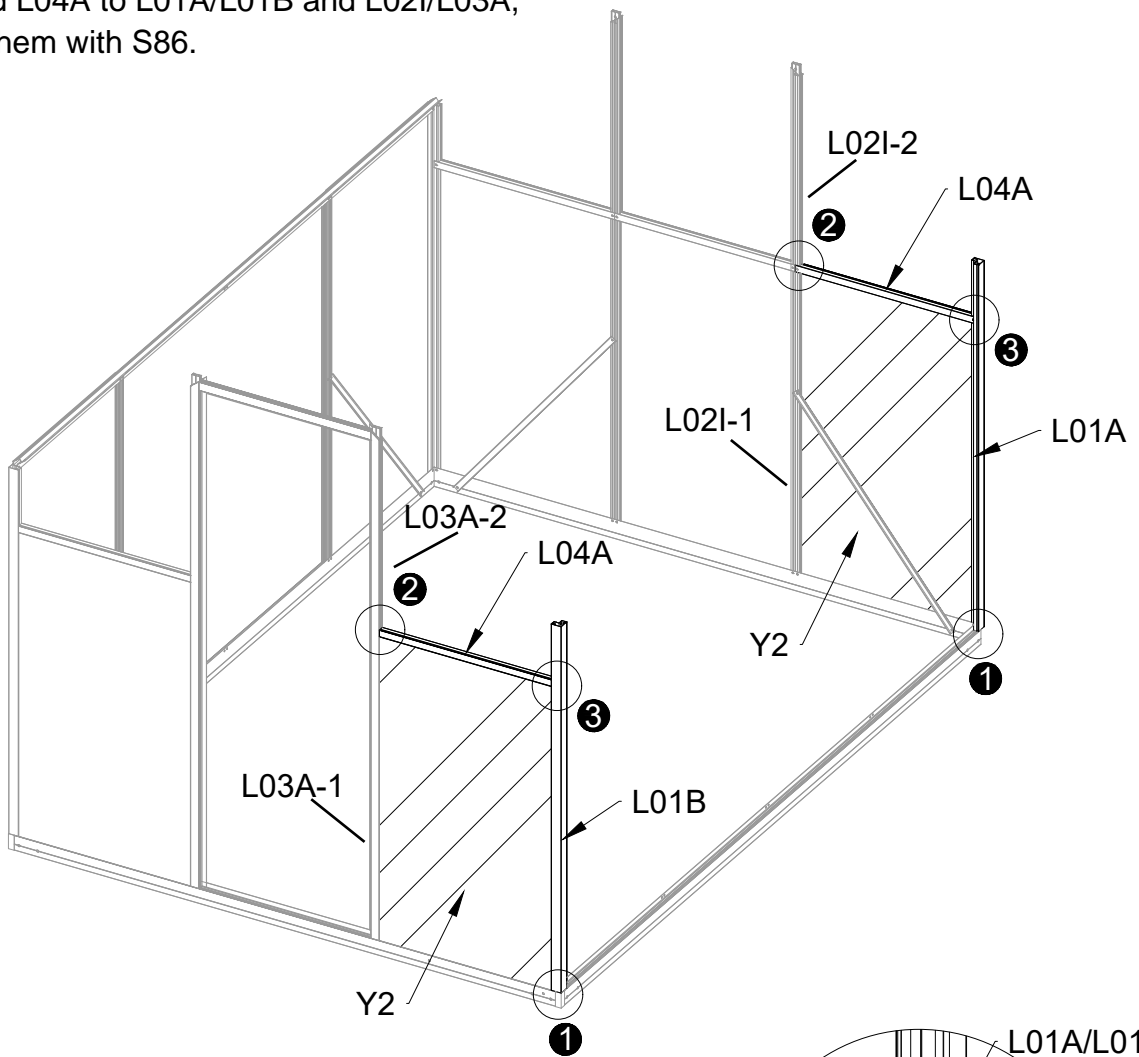
Attach L05A to L08A/L08B and L021/L03A,
secure them with S86 and S87 & M02.



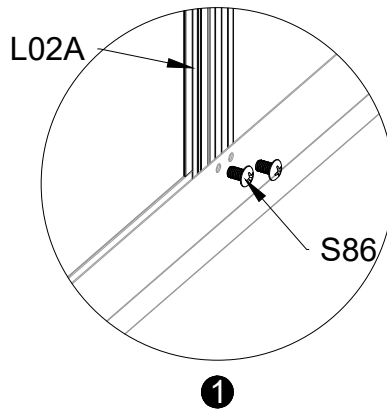
PART	NO	QTY
	L01A	1
	L01B	1
	L04A	2
	Y2	2
	S86 M4X10	8



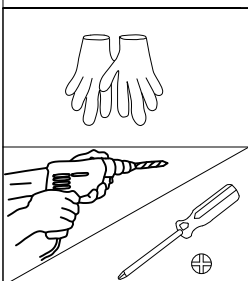
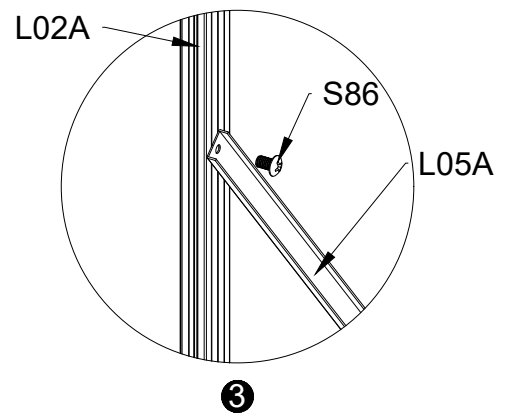
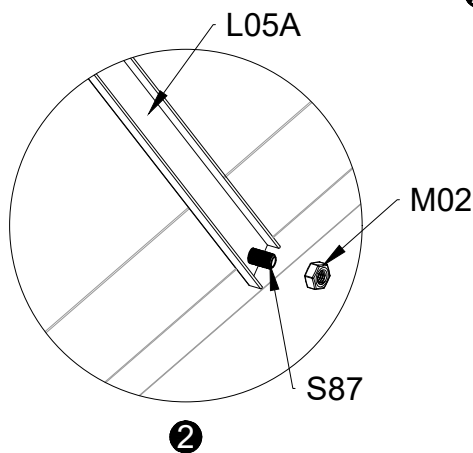
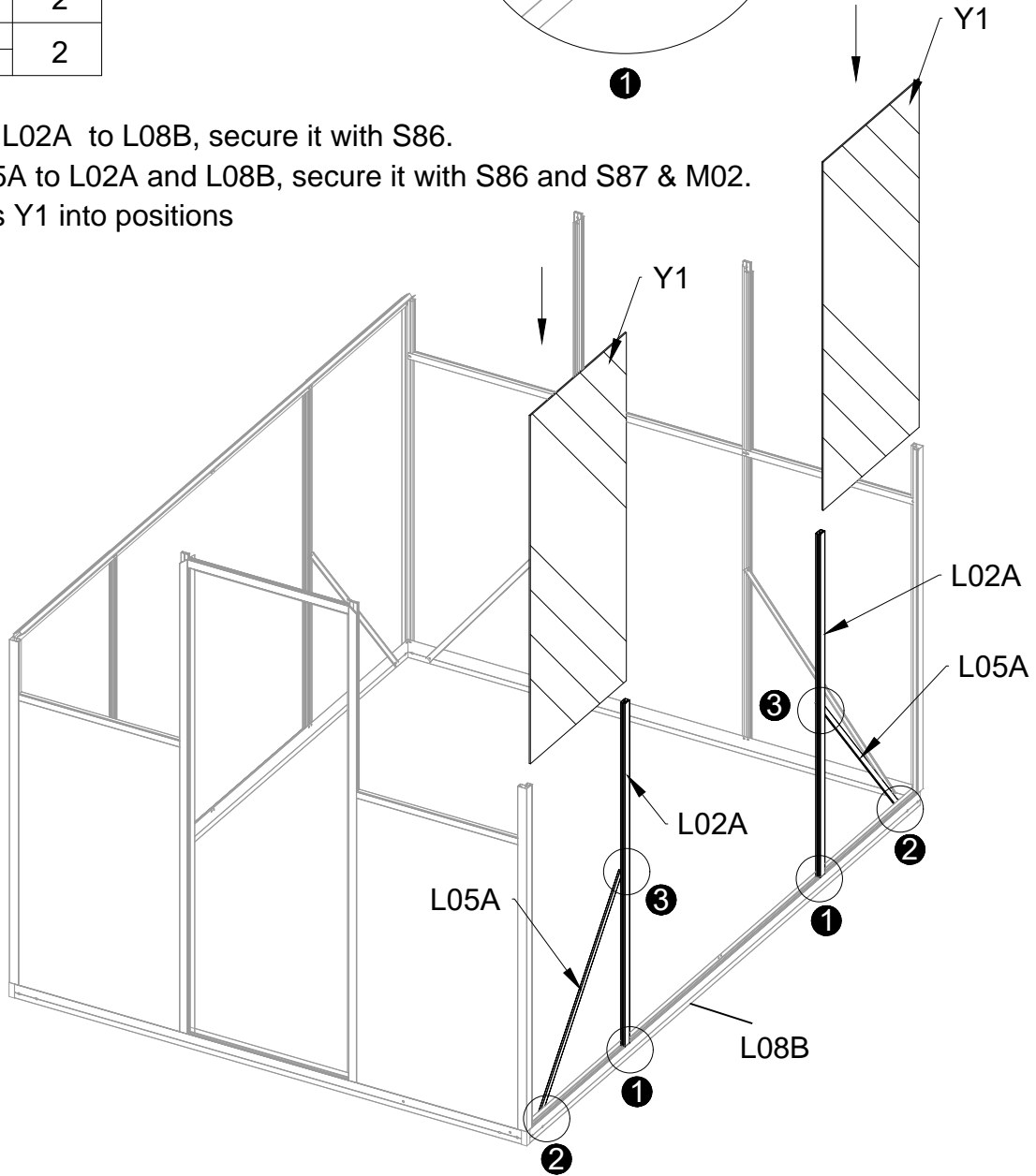
1. Put panels Y2 into positions,
2. Attached L04A to L01A/L01B and L02I/L03A, secure them with S86.

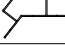





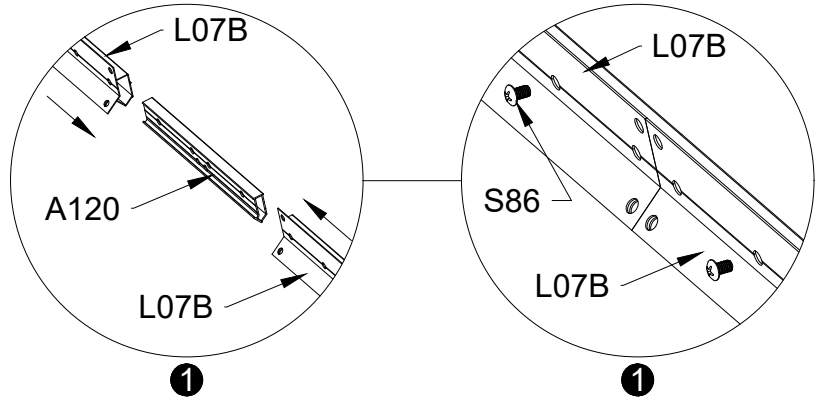
PART	NO	QTY
	L02A	2
	L05A	2
	Y1	2
	S86 M4X10	6
	S87 M4X25	2
	M02 M4	2



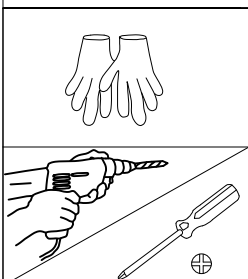
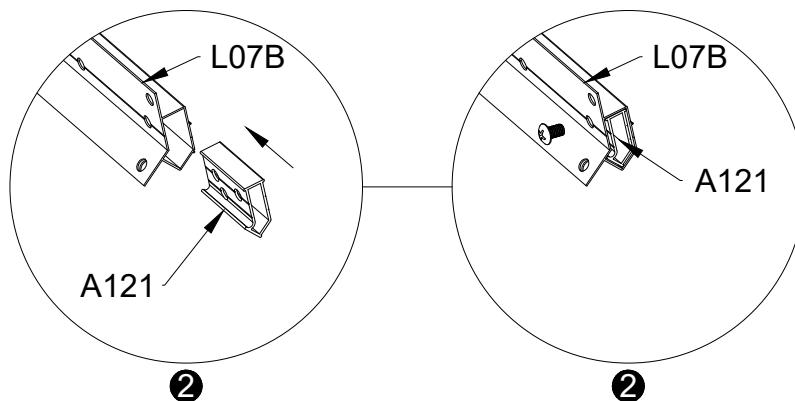
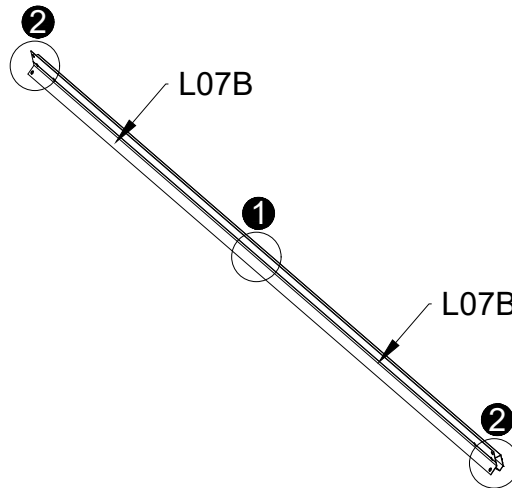
1. Attach 2 * L02A to L08B, secure it with S86.
2. Attach L05A to L02A and L08B, secure it with S86 and S87 & M02.
3. Put panels Y1 into positions




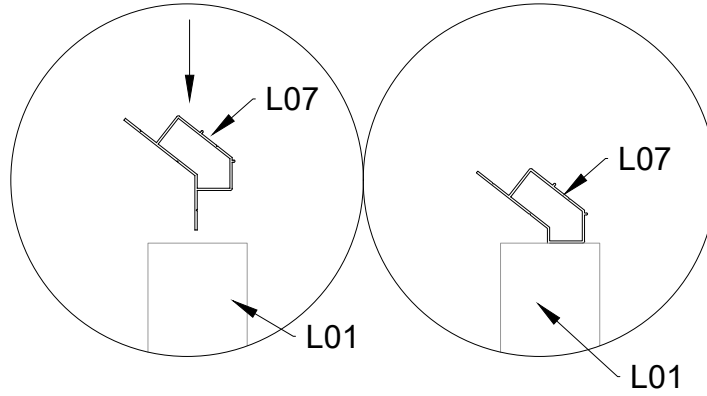
PART	NO	QTY
	L07B	2
	A120	1
	A121	2
	S86 M4X10	4



1. Connect two L07B using part A120, and secure them firmly with S86.
2. Insert two A121 parts into each end of the assembled L07B, and secure them using S86.

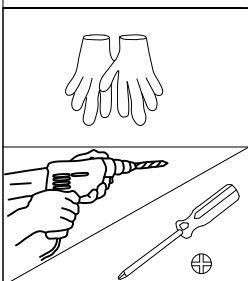
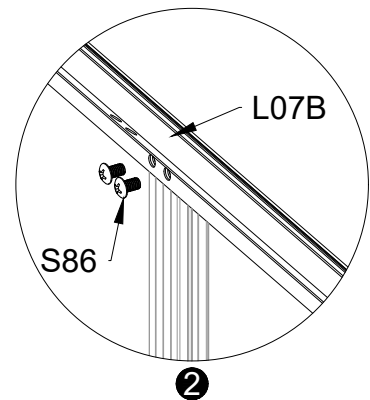
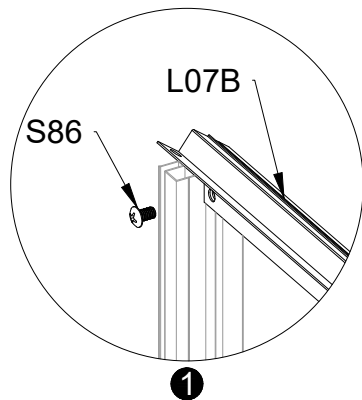
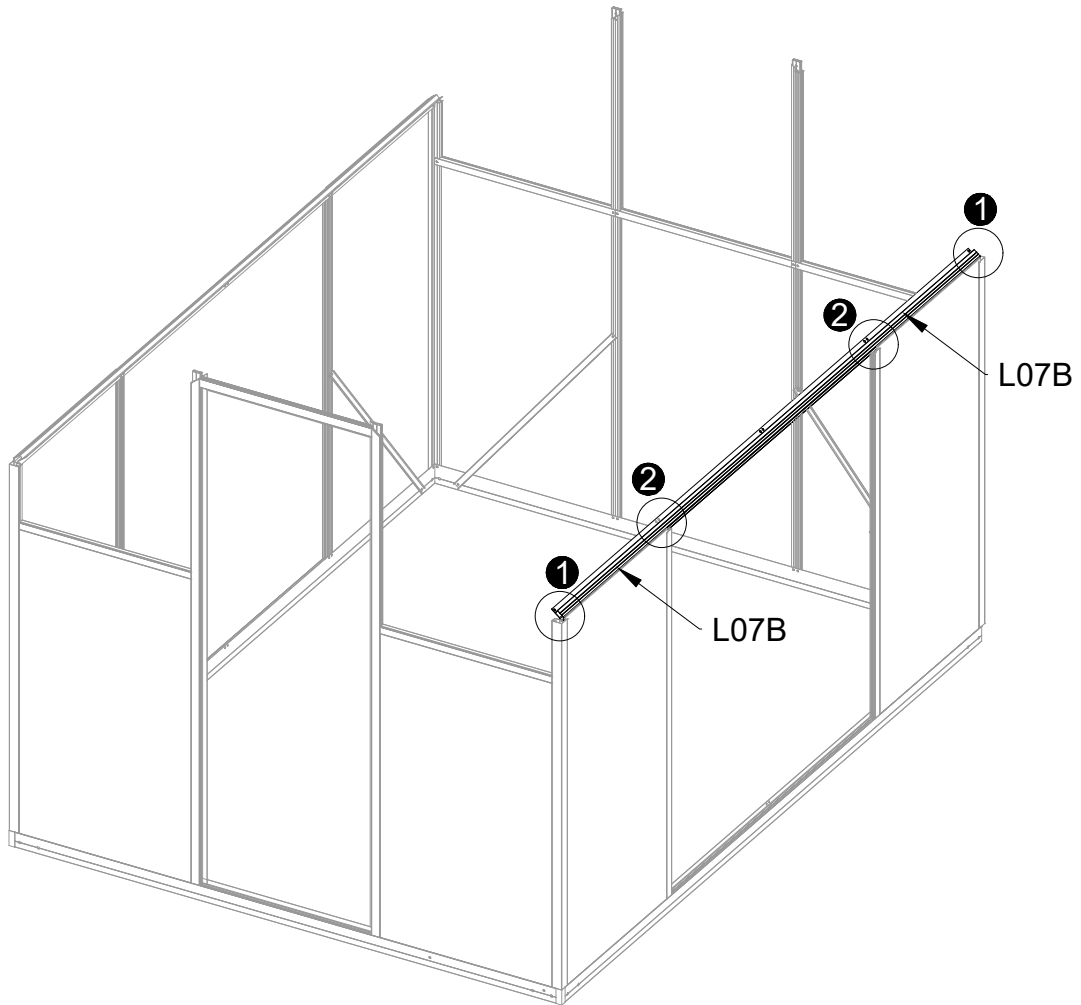


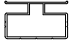


PART	NO	QTY
	S86	6
	M4X10	



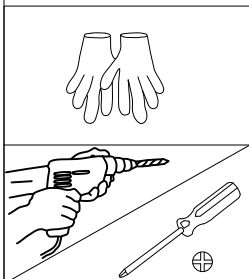
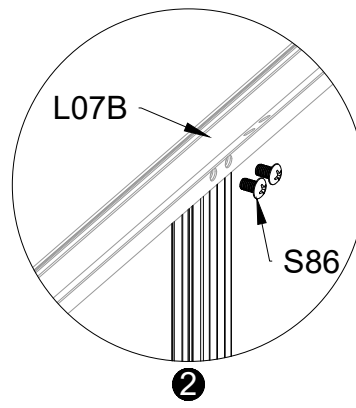
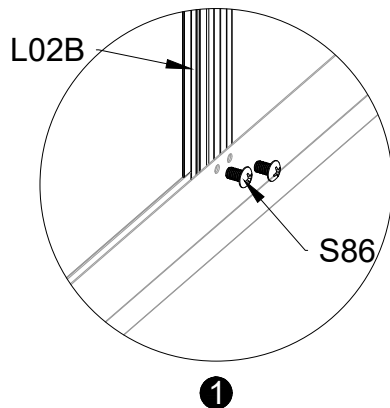
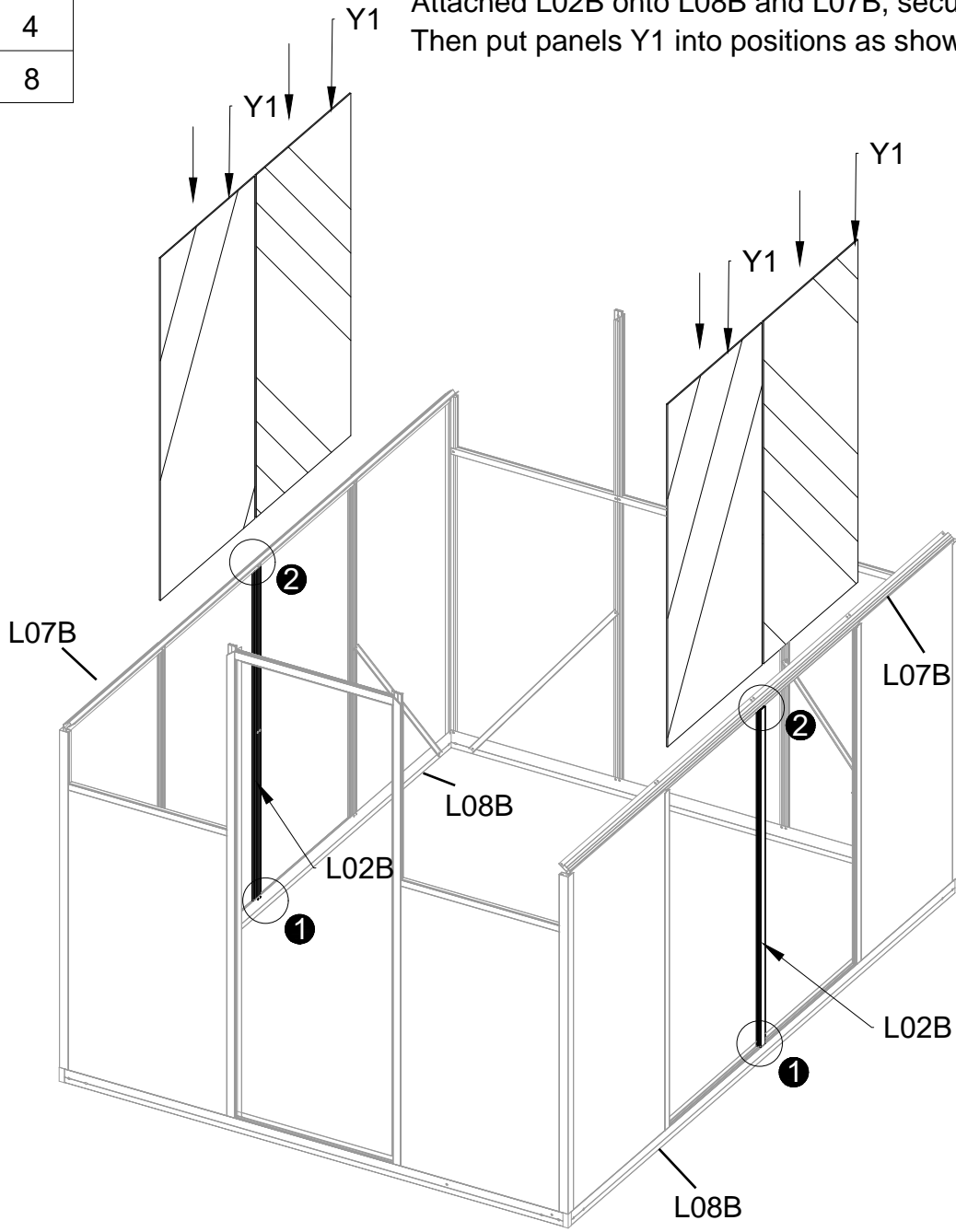
Attention:

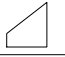
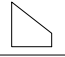
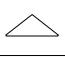

Ensure the L07B pieces are placed in the correct direction when attaching them to L01A , L01B and L02A, then secure with screws.



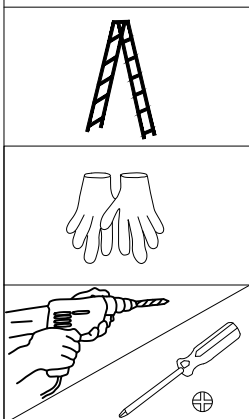
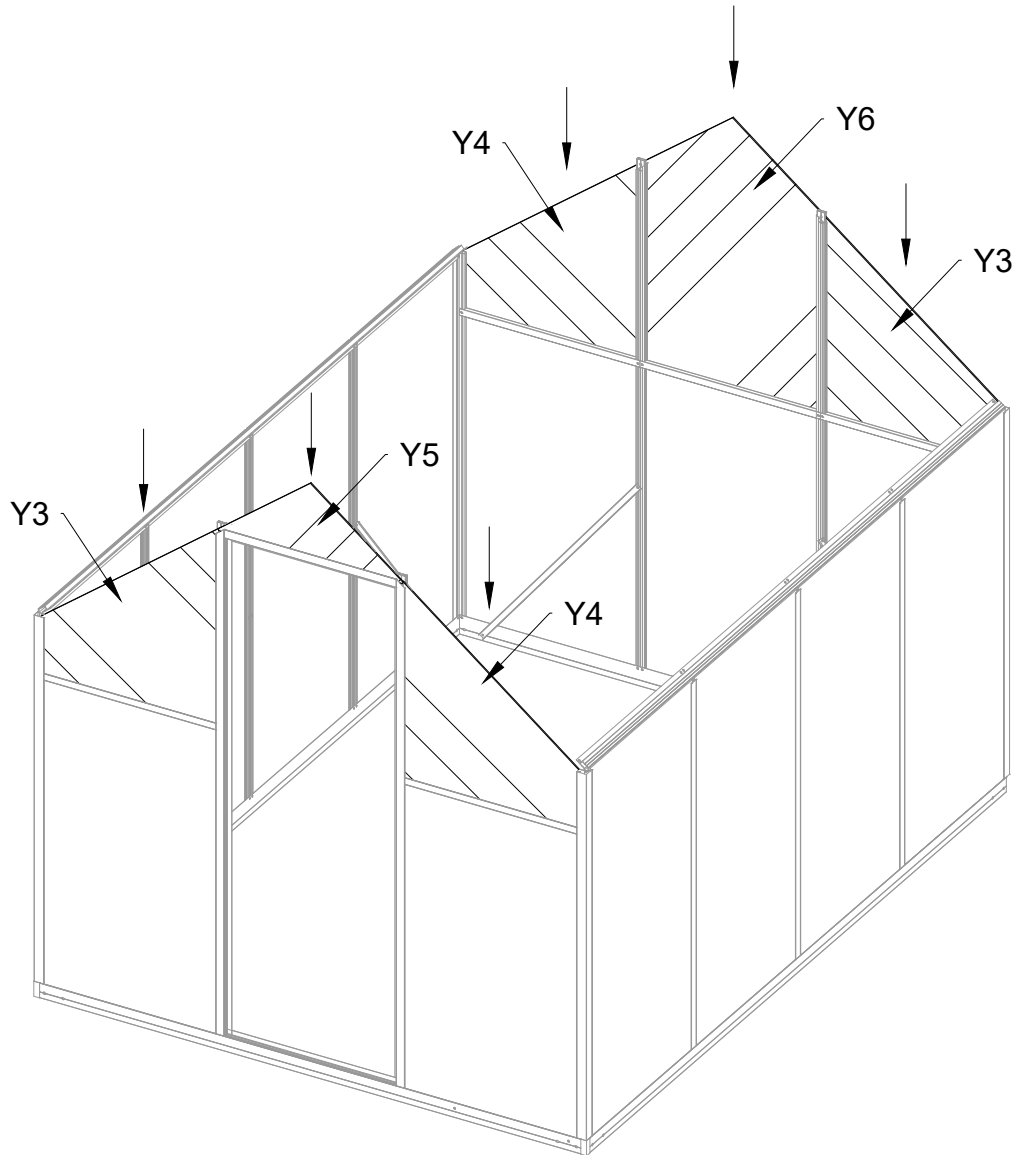
PART	NO	QTY
	L02B	2
	Y1	4
	S86	8
	M4X10	


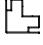

Attached L02B onto L08B and L07B, secure it using S86. Then put panels Y1 into positions as shown

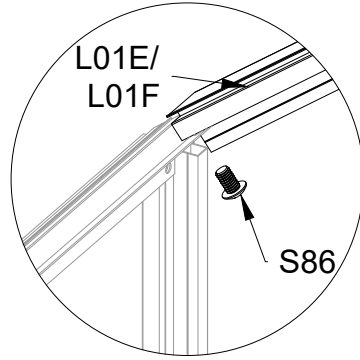


PART	NO	QTY
	Y3	2
	Y4	2
	Y5	1
	Y6	1

Put panels Y3, Y4, Y5 and Y6 into positions as shown below.

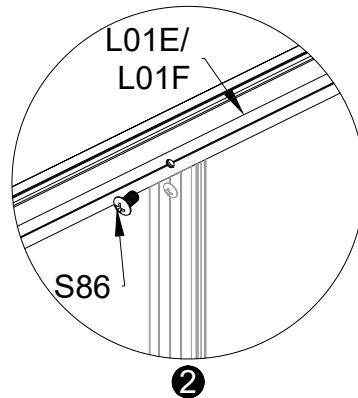
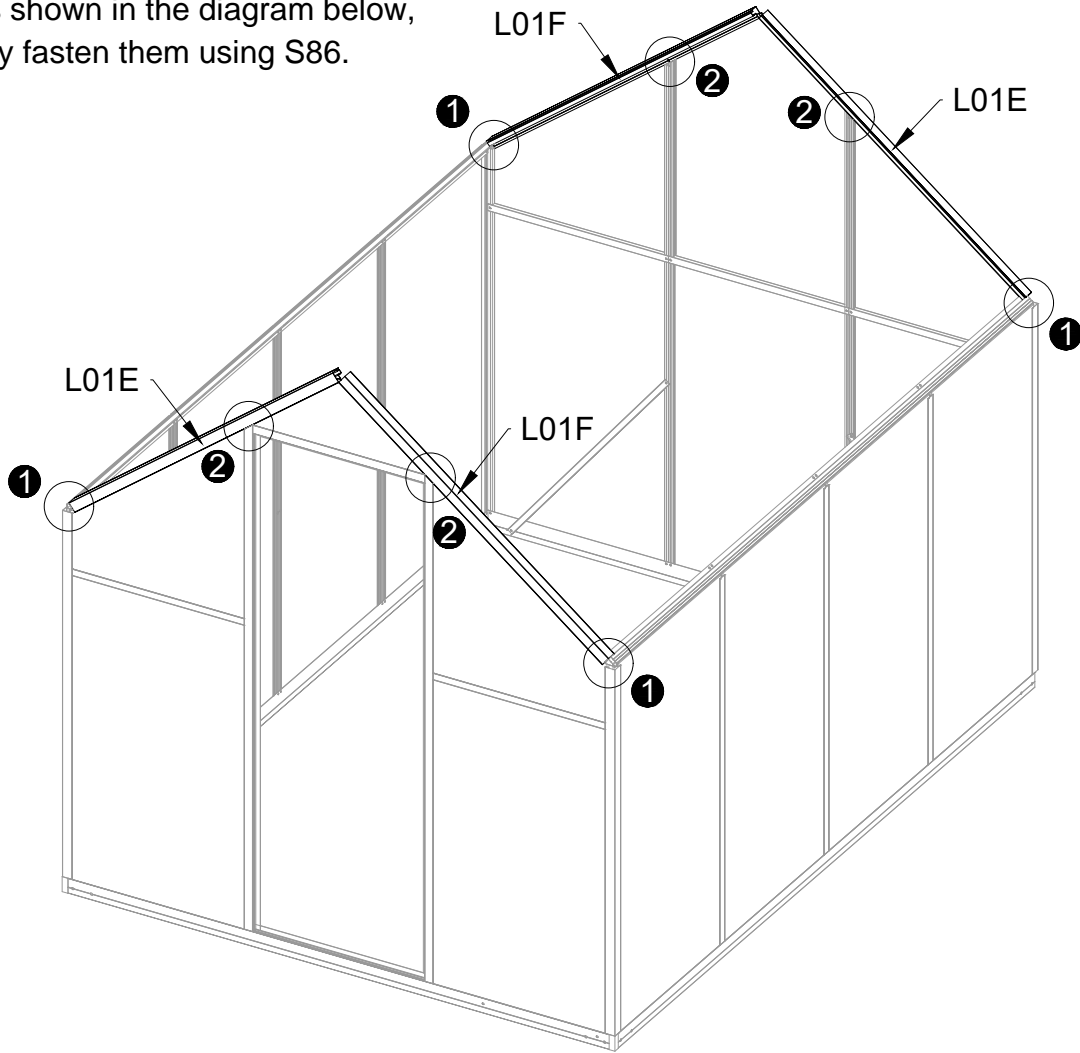


PART	NO	QTY
	L01E	2
	L01F	2
	S86 M4X10	8

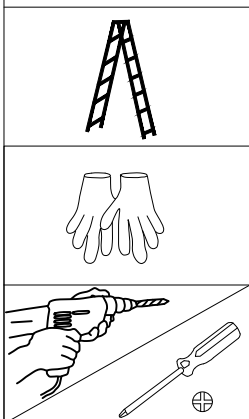





①

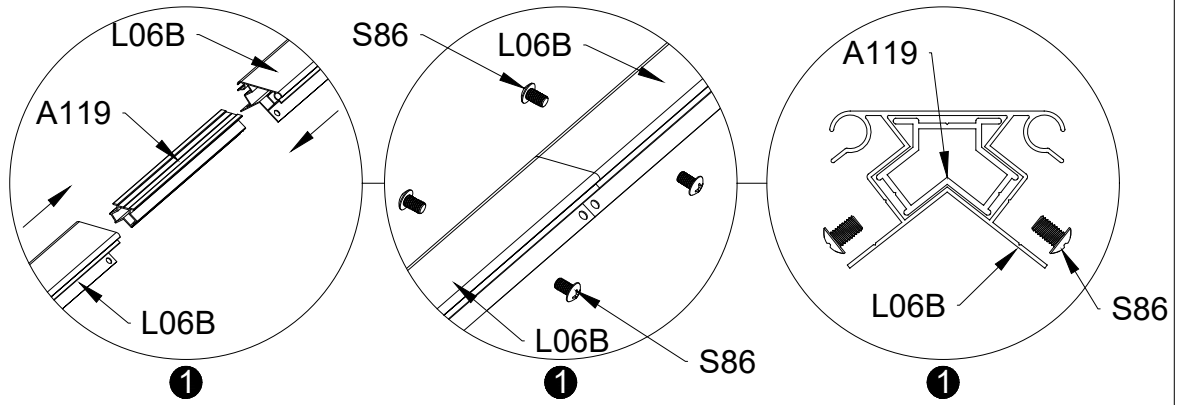
Place L01E and L01F into their designated positions as shown in the diagram below, and securely fasten them using S86.



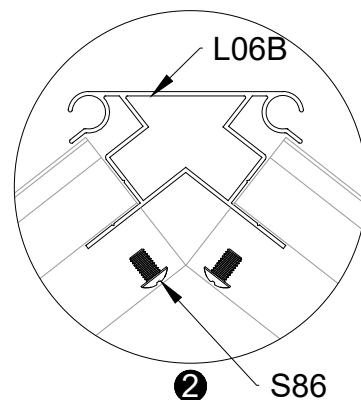
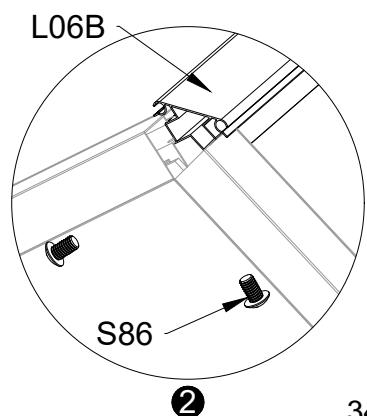
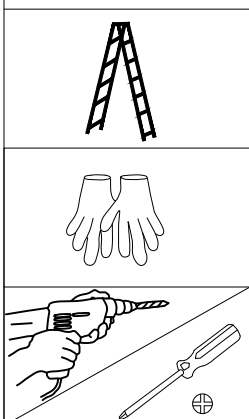
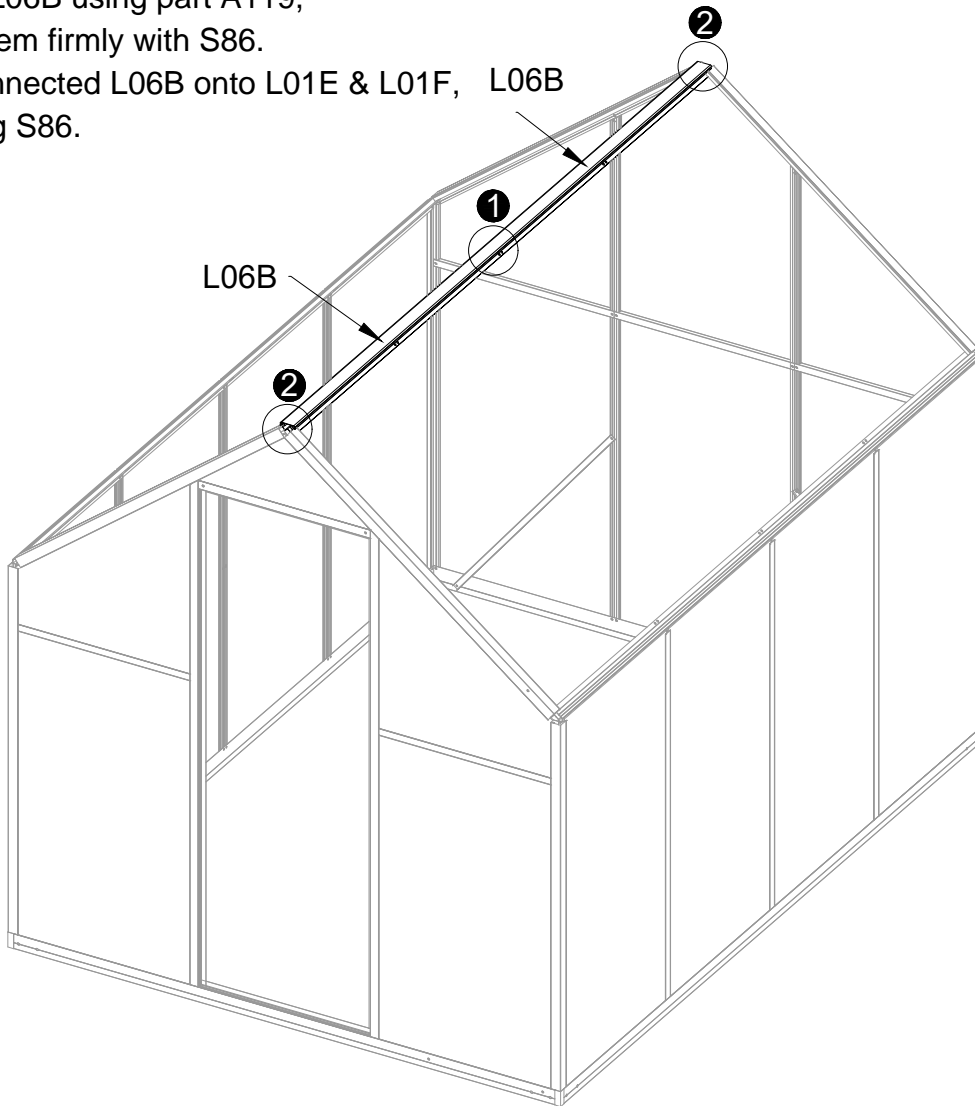
②

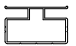




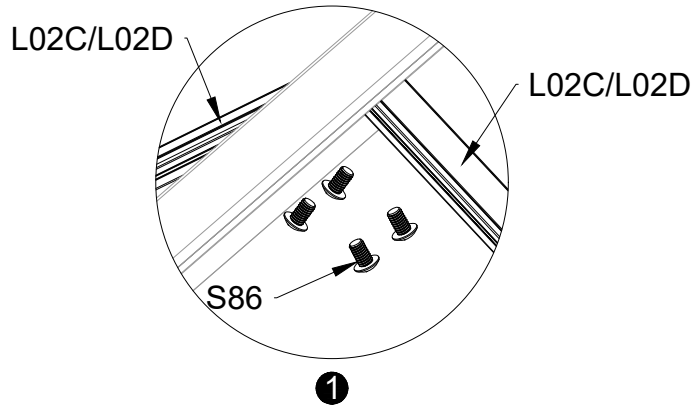
PART	NO	QTY
	L06B	2
	A119	1
	S86 M4X10	8



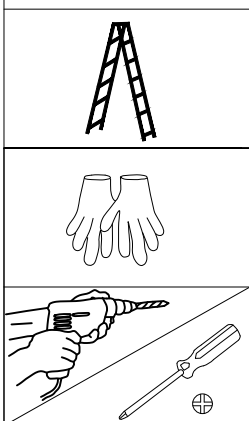
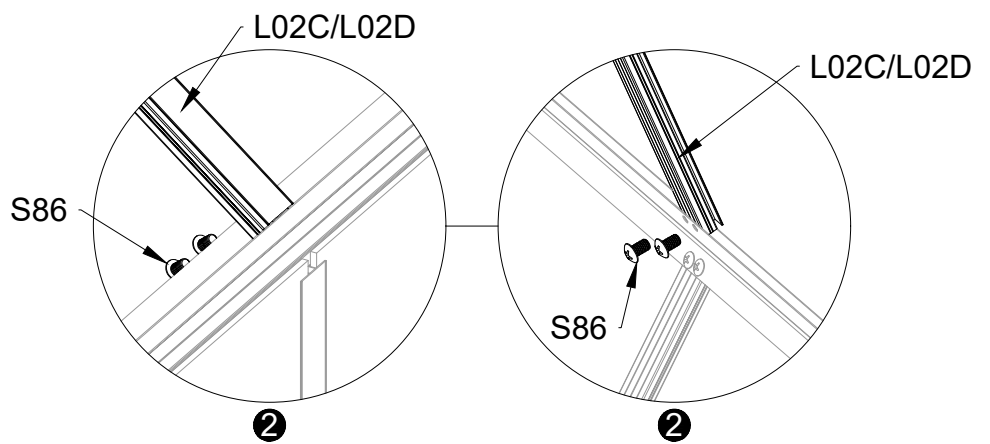
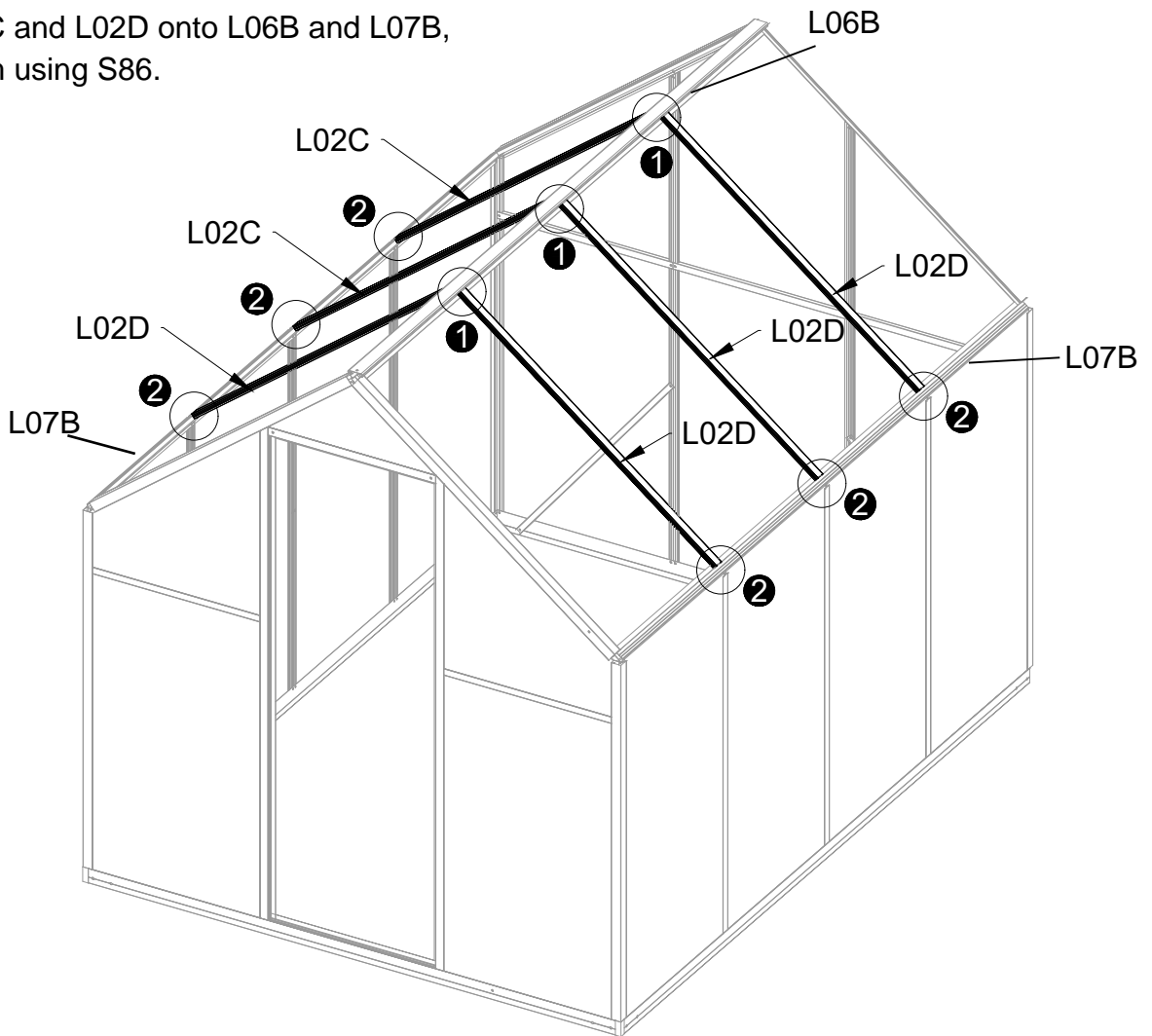
1. Connect two L06B using part A119, and secure them firmly with S86.
2. Attach the connected L06B onto L01E & L01F, L06B secure it using S86.

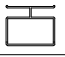



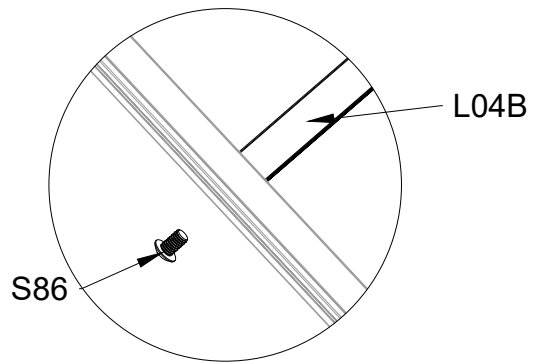
PART	NO	QTY
	L02C	2
	L02D	4
	S86 M4X10	24



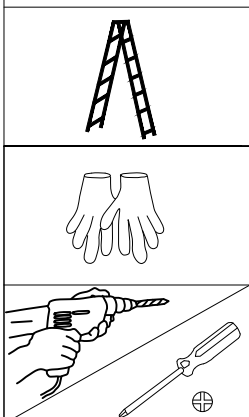
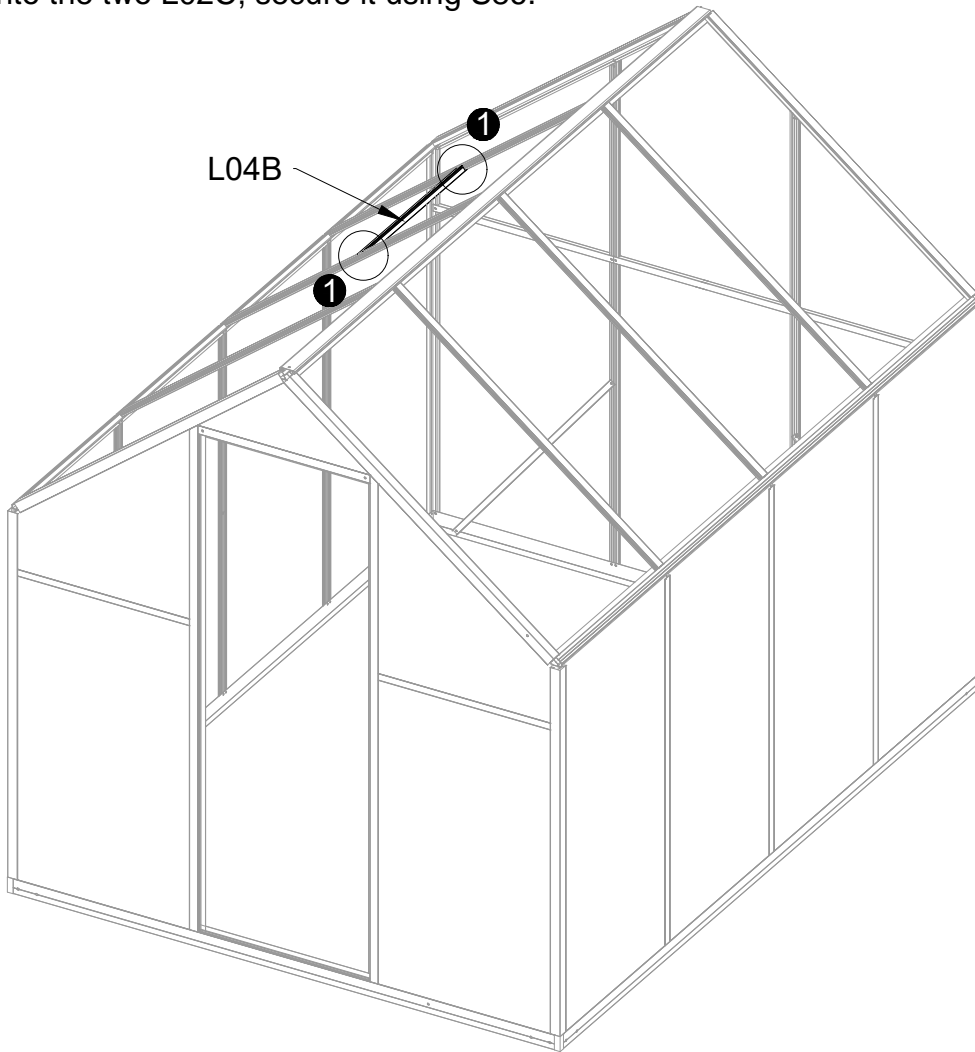
Attach L02C and L02D onto L06B and L07B, secure them using S86.




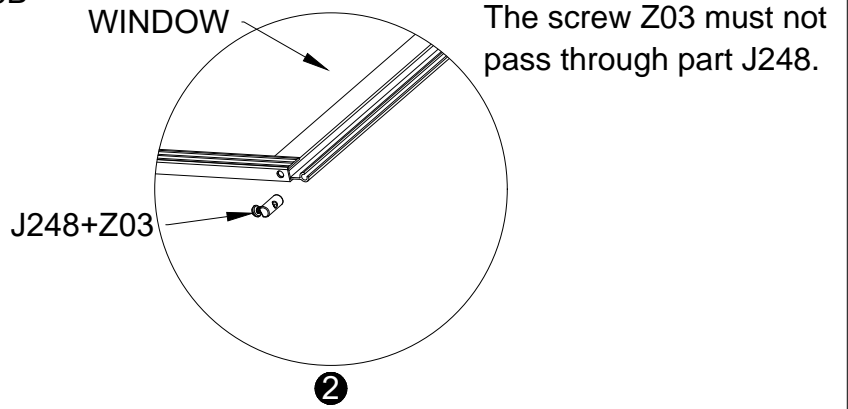
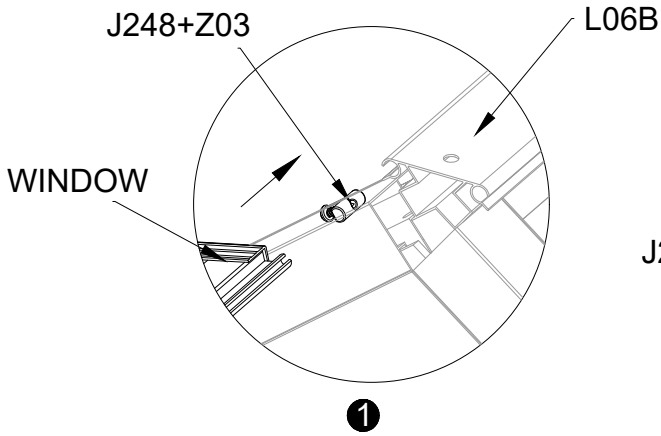
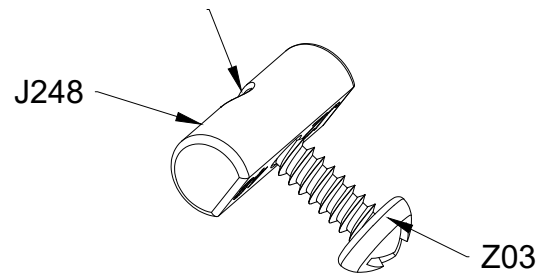
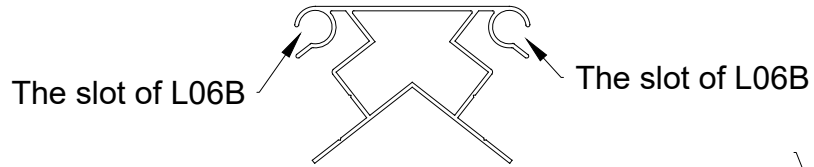
PART	NO	QTY
	L04B	1
	S86 M4X10	2



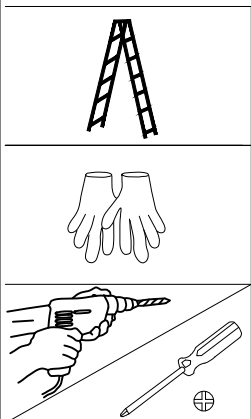
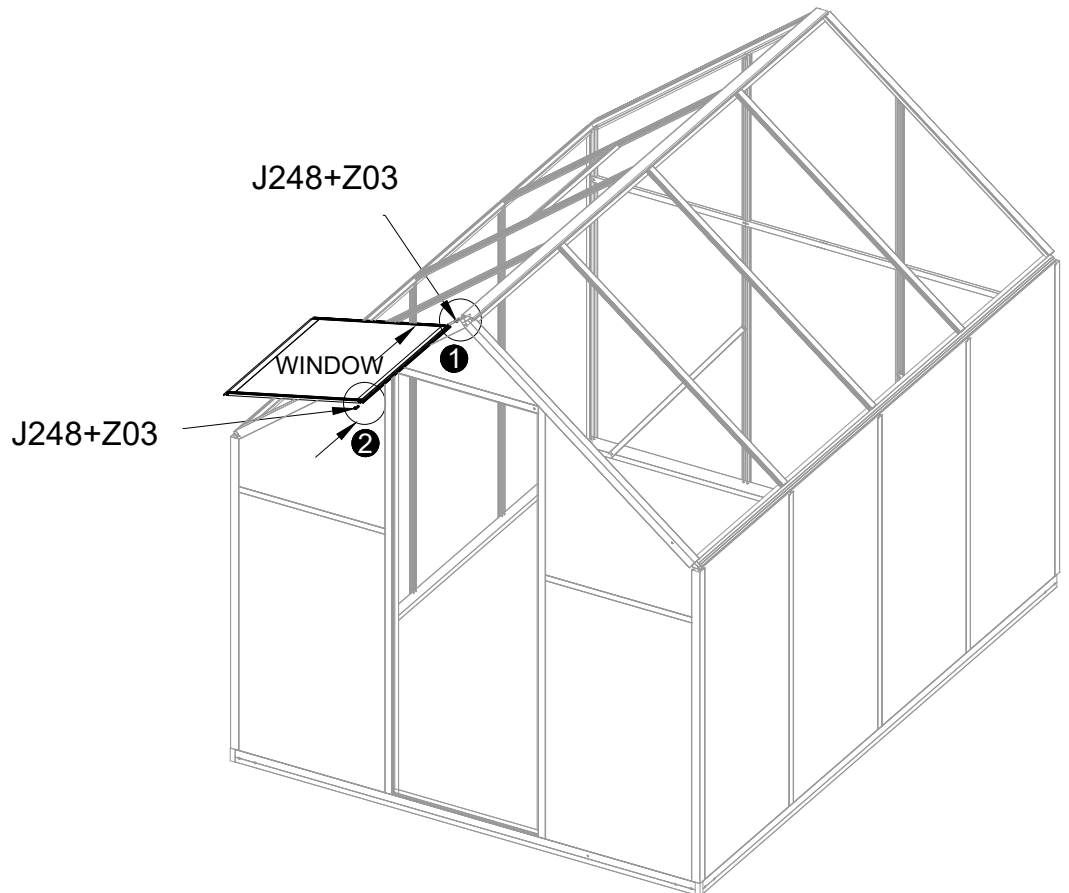
Attach L04B onto the two L02C, secure it using S86.




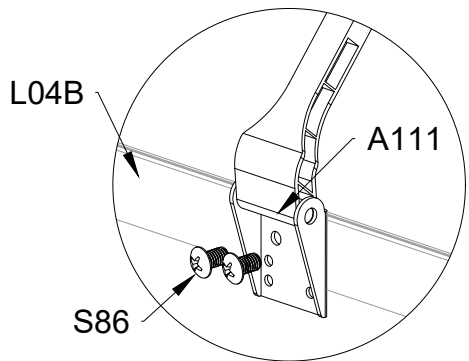
PART	NO	QTY
	J248	2
	Z03	2



Slide two pre-assembled J248+Z03 units, along with the window, into the slot of L06B. Position one unit at the front of the window and the other at the rear.

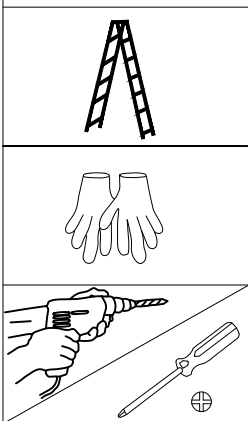
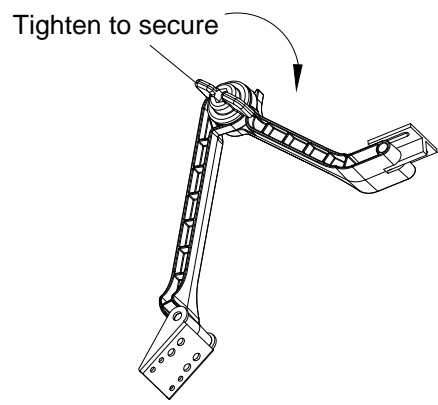
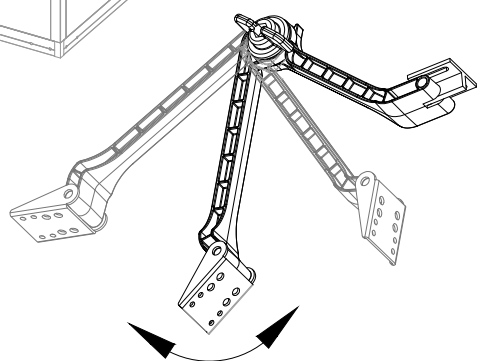
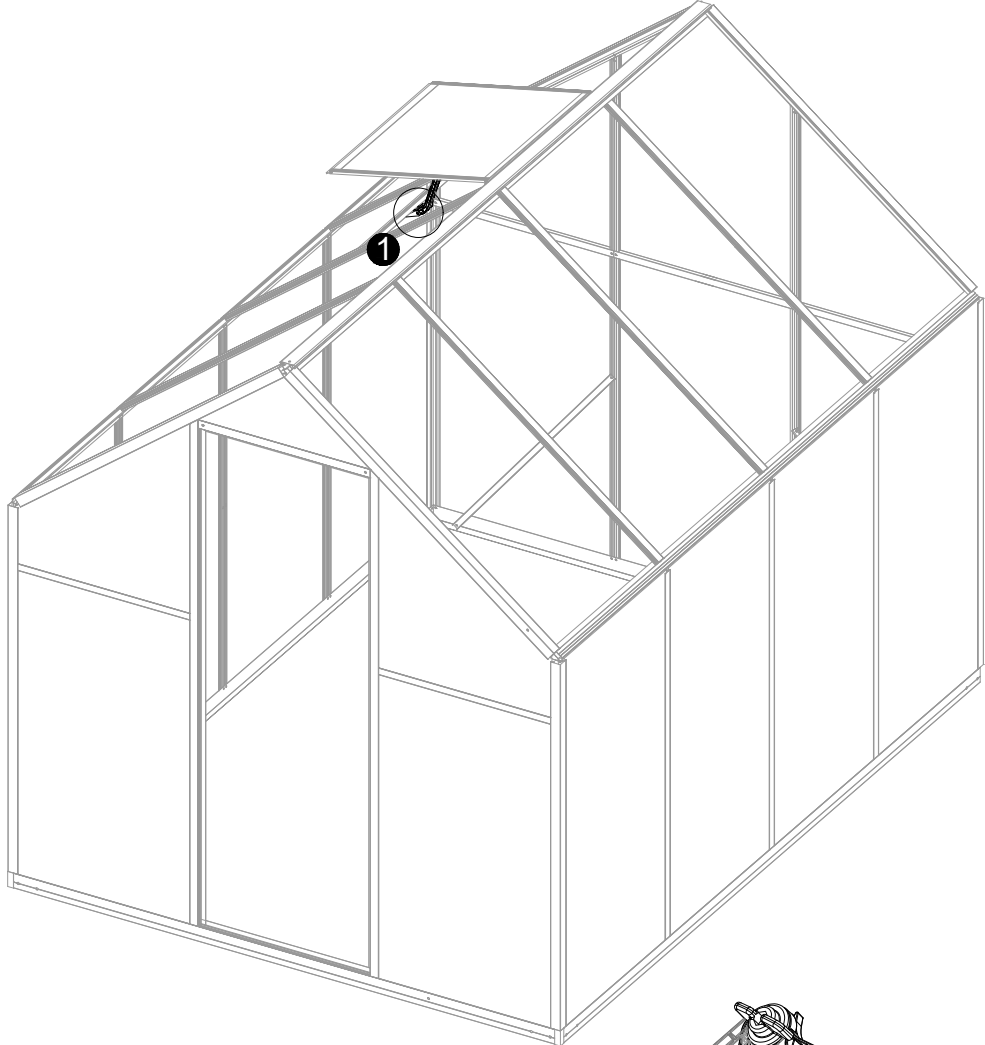


PART	NO	QTY
	S86	2
	M4X10	


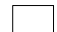


①

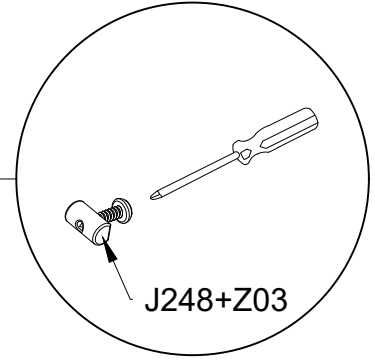
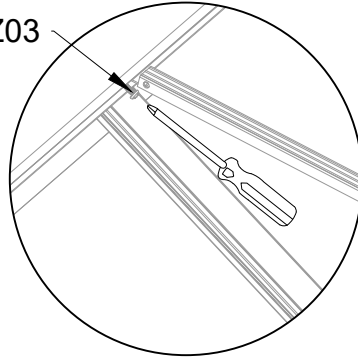
Fix the opener onto L04B using S86.



Adjust the angle as necessary to set the desired window opening distance. Once in the correct position, tighten to secure.

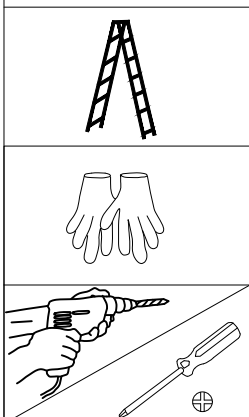
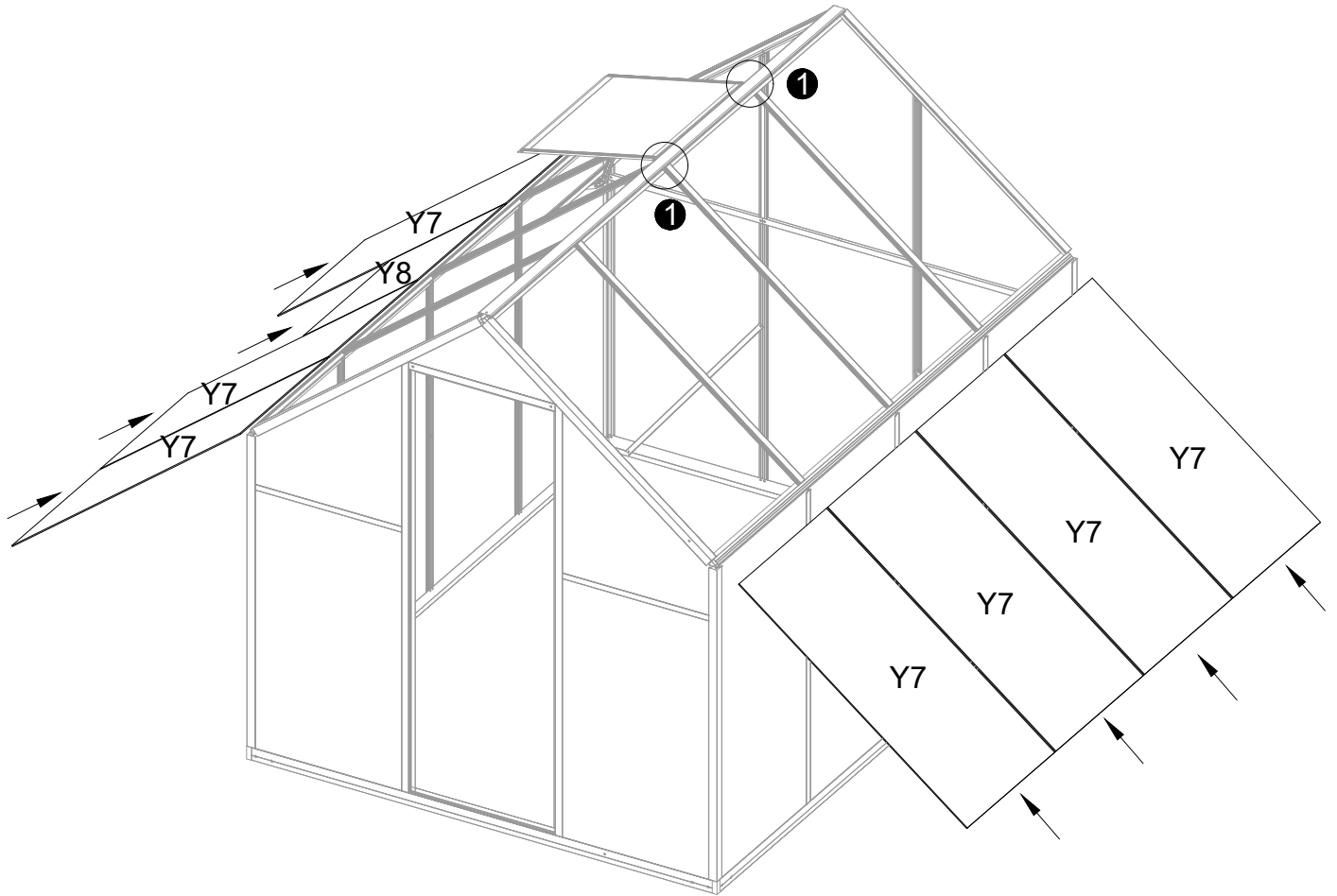
PART	NO	QTY
	Y7	7
	Y8	1

J248+Z03




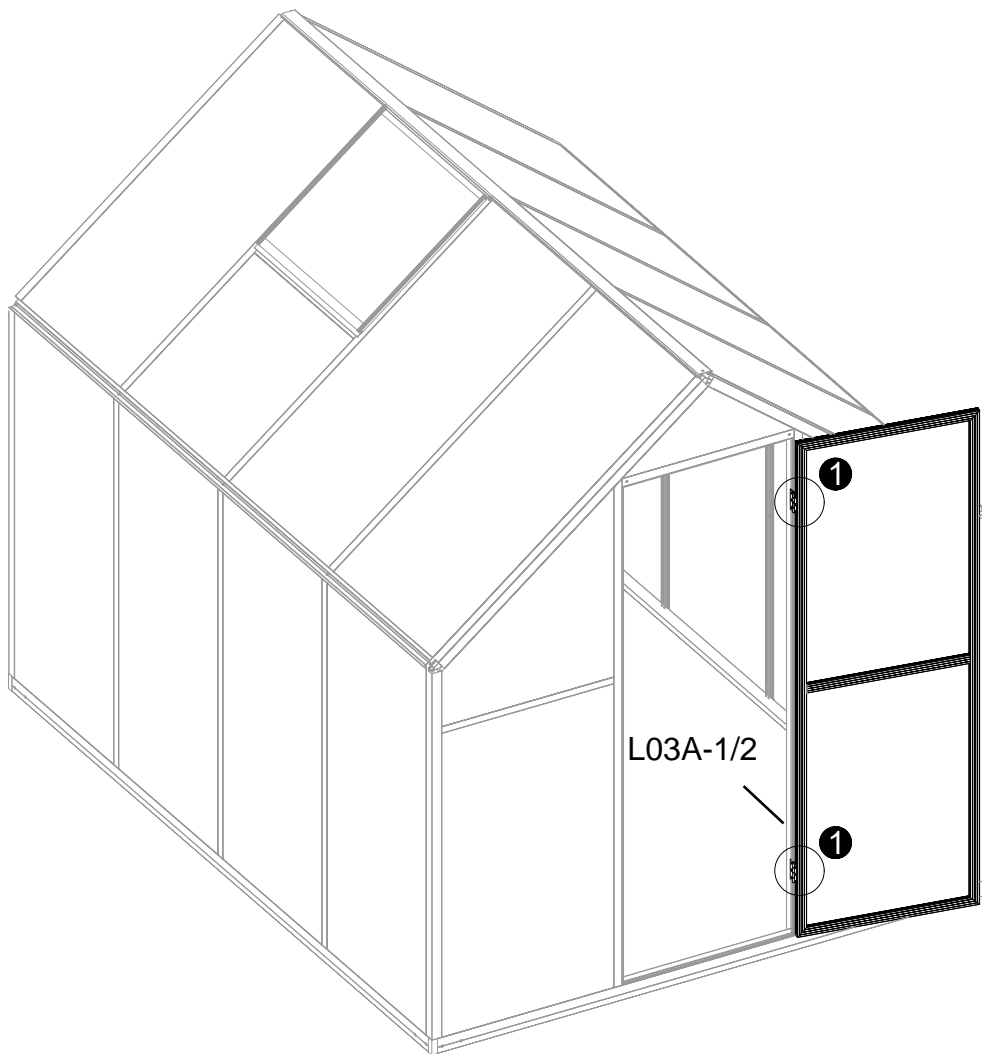
J248+Z03

Once the window is correctly positioned, tighten the Z03 component through part J248.

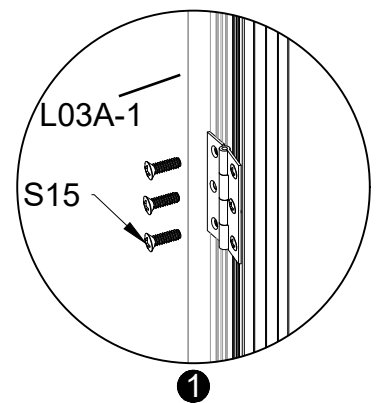
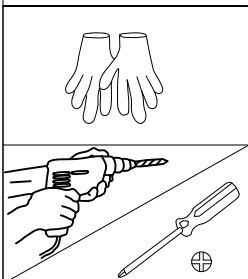




Put the panels Y7 and Y8 into positions as shown above.

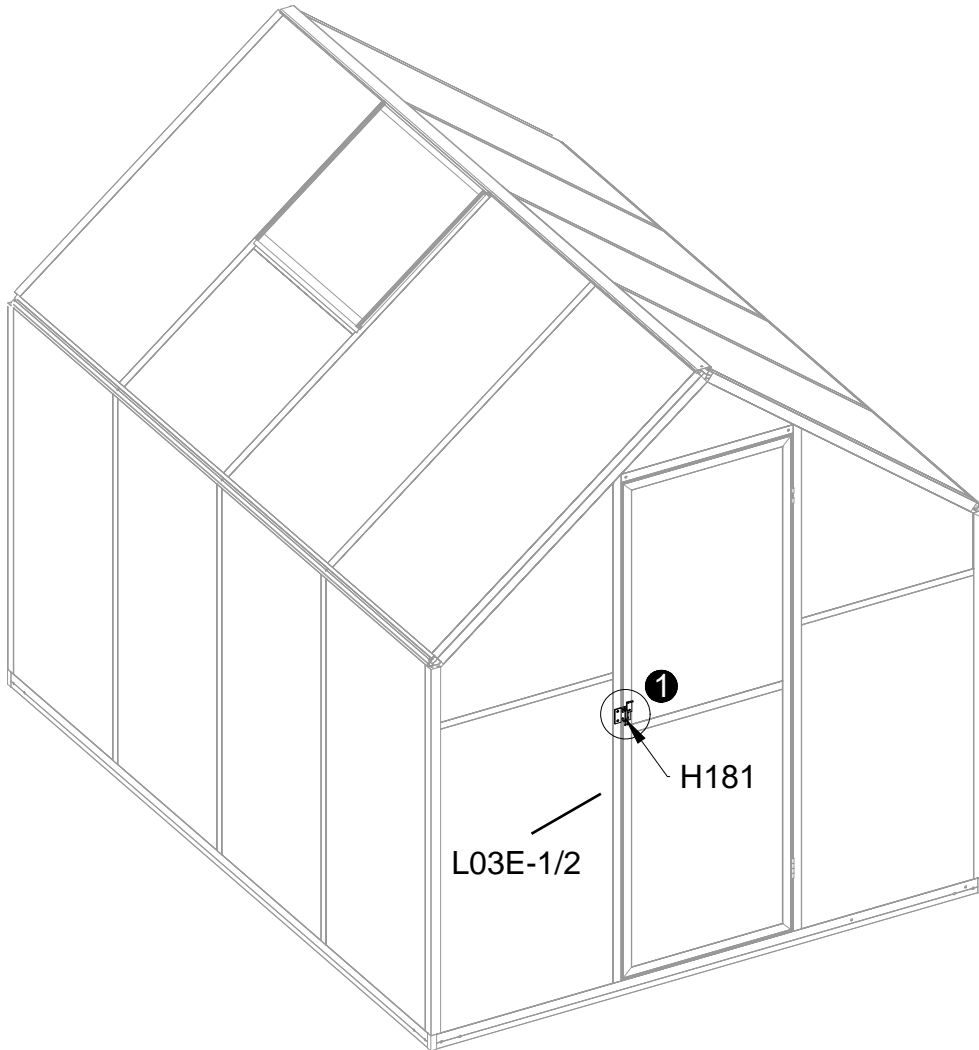
PART	NO	QTY
	S15	6
	M4X10	



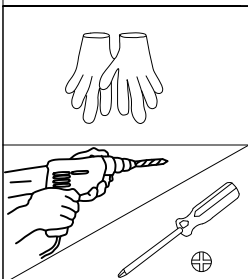
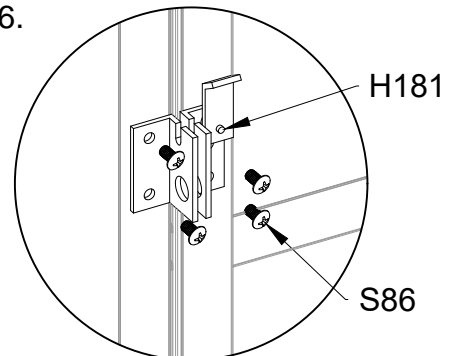
Fix the door onto L03A-1/2, using S15.












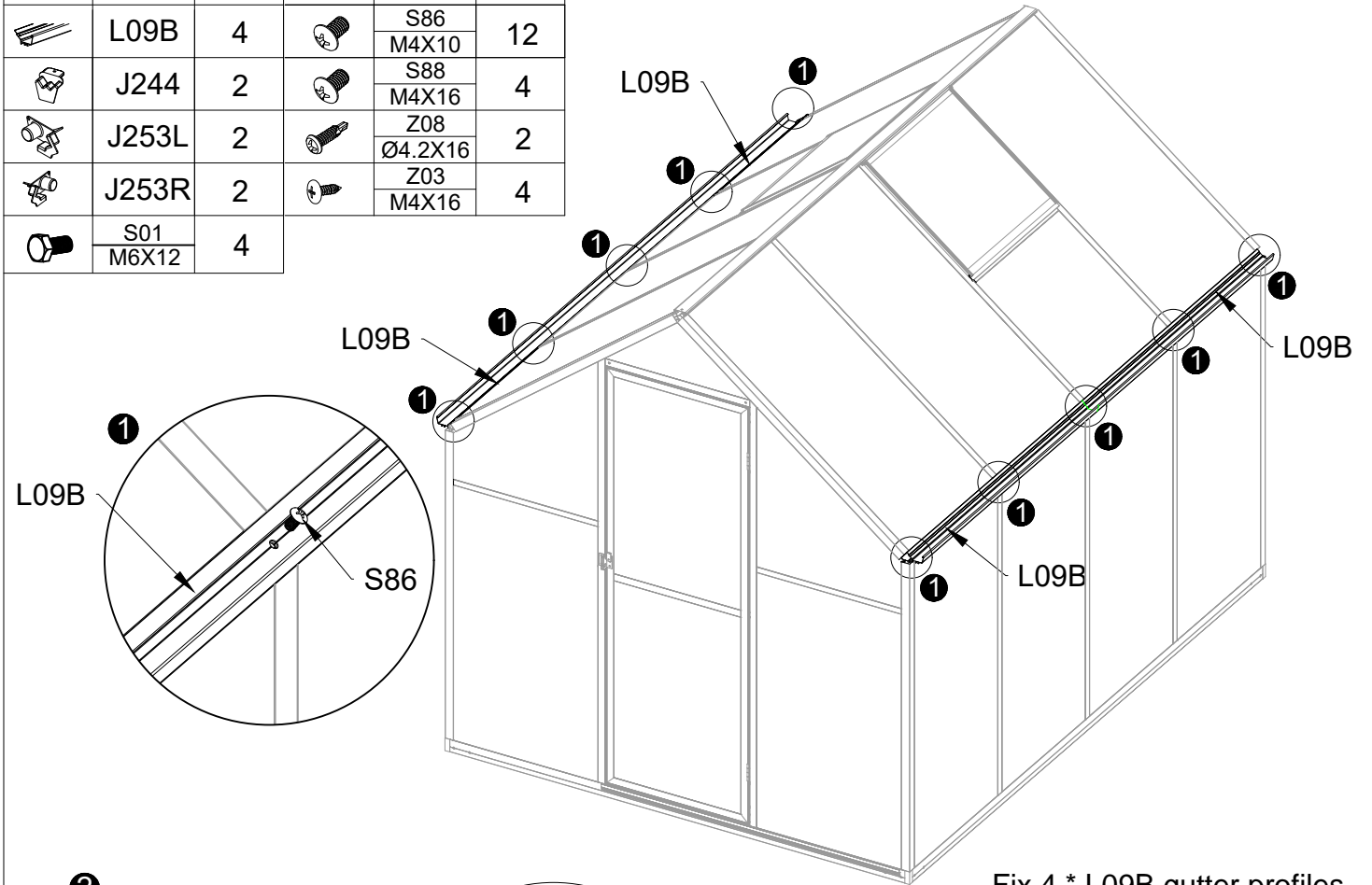
PART	NO	QTY
	H181	1
	S86 M4X10	4



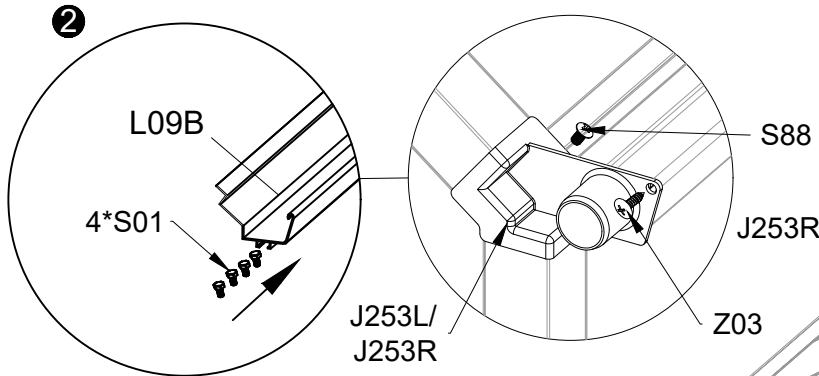
Fix part H181 onto L03E-1/2 and L02P1/2, using S86.



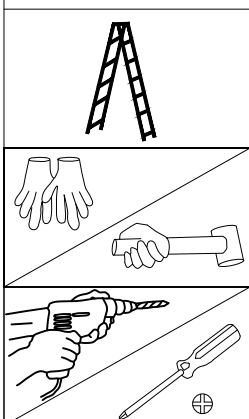
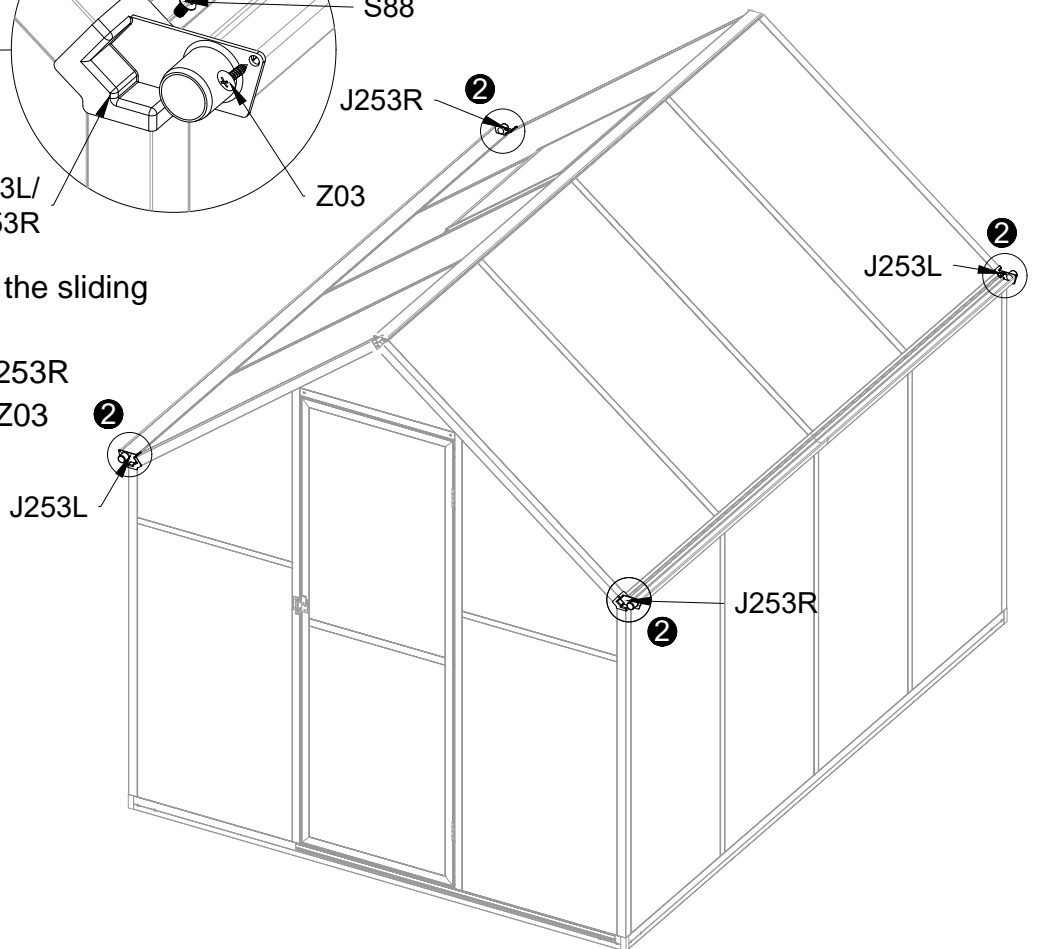
PART	NO	QTY	PART	NO	QTY
	L09B	4		S86 M4X10	12
	J244	2		S88 M4X16	4
	J253L	2		Z08 Ø4.2X16	2
	J253R	2		Z03 M4X16	4
	S01 M6X12	4			







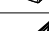


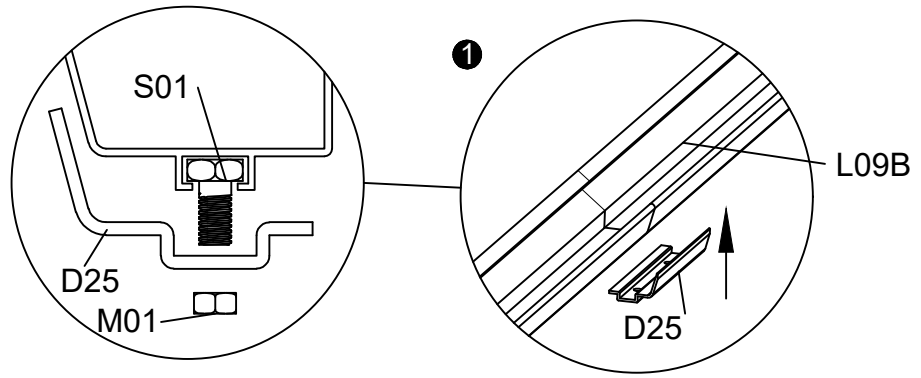
Fix 4 * L09B gutter profiles as shown above, using S86.



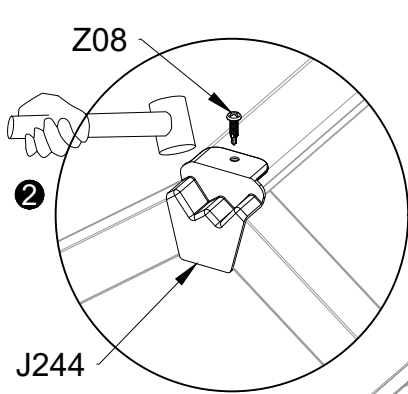
Insert four S01 screws into the sliding slot at the bottom of L09B. Then fix parts J253L and J253R onto L09B, using S88 and Z03



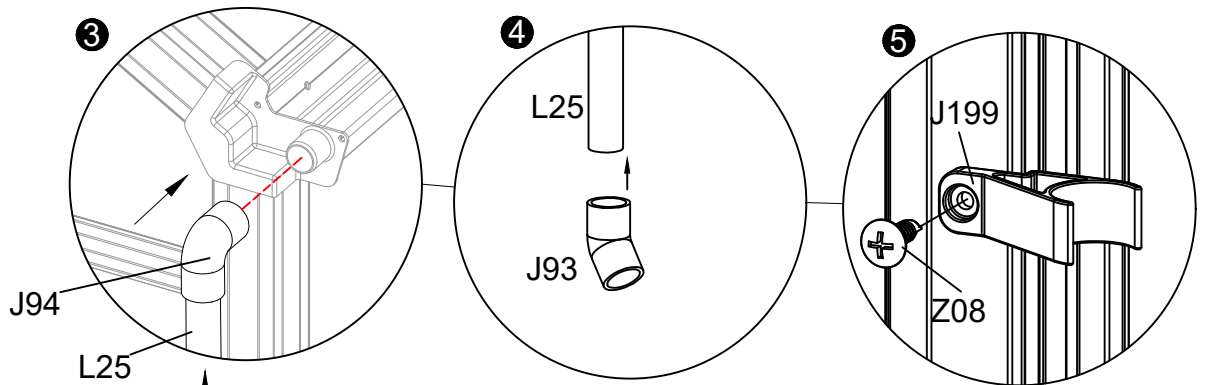
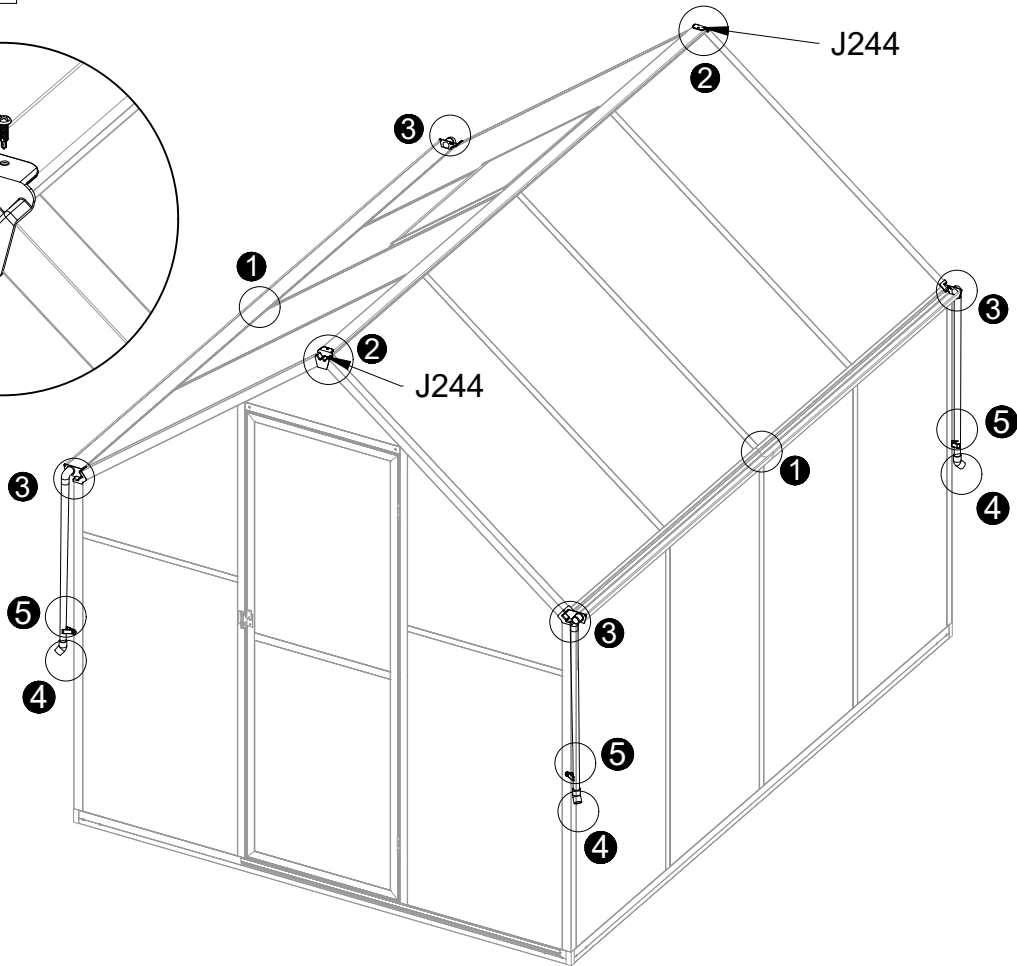
PART	NO	QTY
	L25A	4
	J93	4
	J94	4
	J199	4
	Z08 Ø4.2X16	4
	M01 M6	4
	D25	2



Secure part D25 onto L09B using the preloaded S01 screws and M01.



Fix part J244, using Z08



1. On the end faces of L01A/L01B, use Z08 to firmly secure J199 in place.
2. Insert L25 into the slot of J199 and secure it by tightening the connection.

