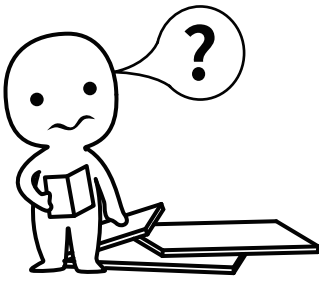


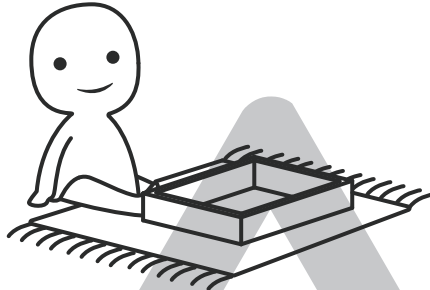
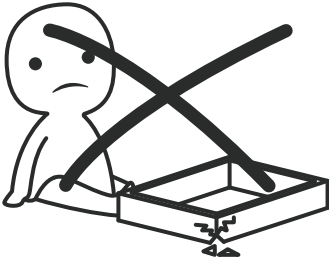
# **INSTALLATION**

*Product Manual*



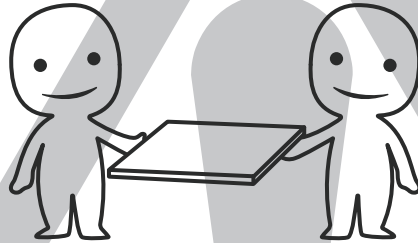
### **IMPORTANT INFORMATION!**

please read the entire manual before starting to assemble and/or using this product. follow the manual thoroughly and keep it for further reference.



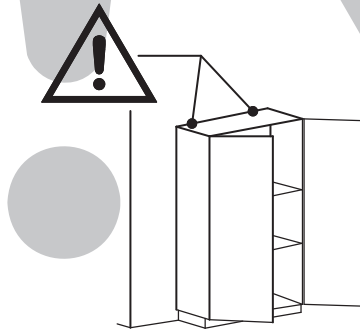
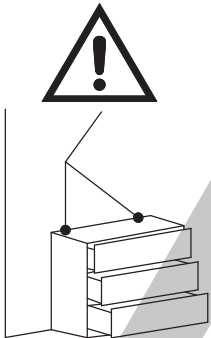
### **AVOID SCRATCHES!**

In order to avoid scratching this furniture should be assembled on a soft layer- could be a rug.



### **IMPROVE EFFICIENCY !**

Try to find a partner to install with you, which can speed up the installation efficiency and shorten the time.



### **ANTI-TOPPLE WARNING !**

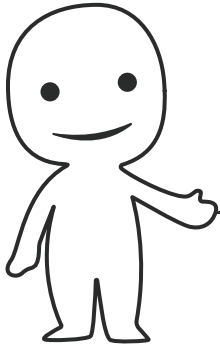
Overturnd furniture can cause serious or fatal crush injuries. To prevent tipping over, be sure to use the wall attachment, if not included with this product. Please purchase the wall attachment that fit your wall. If unsure, seek professional advice. Please read and follow each step of the instructions carefully.

### **IMPORTANT !**

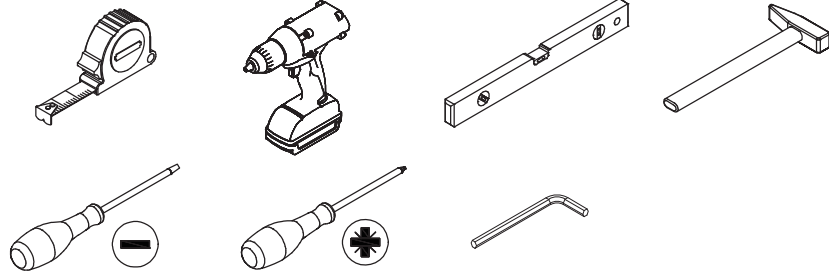
It is important that any product which is assembled using any kind of screw is re-tightened 2 weeks after assembly, and once every 3 months - in order to assure stability through-out the lifespan of the product.

For regular maintenance and cleaning of the product, for the frame, please use a rag dipped in neutral detergent to fully wipe it, and then dry it with a clean rag. For glass materials, wipe with a rag dampened with water glass cleaner, and then dry with a dry rag.

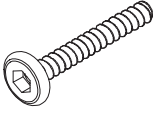
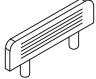
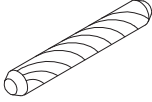
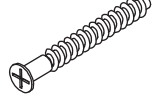
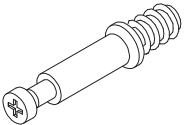

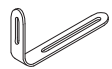
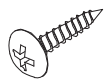
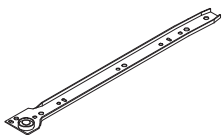
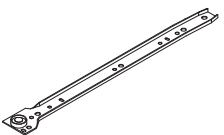
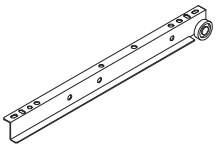
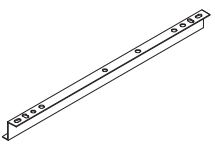
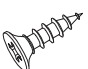
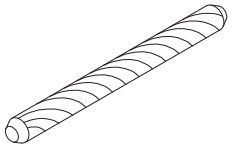
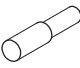

Do not use an electric screwdriver, and do not use too much force when installing, because the board is easy to break.



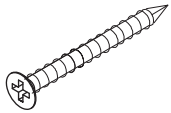
Please prepare the following tools



When installing, please carefully confirm whether each screw corresponds to the manual, accessories with similar shapes can be distinguished by size

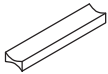
<p>A x 4 +1</p>  <p>ø6 x 30 mm</p>	<p>B x 8</p> 	<p>C x 64 +1</p>  <p>ø6 x 30 mm</p>	<p>D x 58 +1</p>  <p>ø5 x 40 mm</p>
<p>E x 65 +1</p>  <p>ø6 x 35 mm</p>	<p>F x 65 +1</p>  <p>ø15 x 10 mm</p>	<p>G x 2</p> 	<p>H x 50 +1</p>  <p>ø4 x 14 mm</p>
<p>CL x 4</p>  <p>L 300 mm</p>	<p>CR x 4</p>  <p>L 300 mm</p>	<p>DL x 4</p>  <p>L 300 mm</p>	<p>DR x 4</p>  <p>L 300 mm</p>
<p>N x 32 +1</p>  <p>ø3.5 x 12 mm</p>	<p>P x 2</p>  <p>ø6 x 50 mm</p>	<p>Q x 8</p> 	<p>R x 8</p> 

S x 2

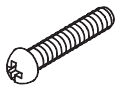


Ø3.5 x 35 mm

T x 8




U x 16 +1

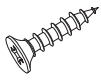


Ø4 x 16 mm

W x 32

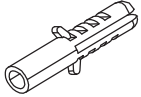


X x 32 +1




Ø3.5 x 14 mm

Y x 2

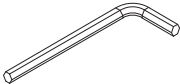


Z x 16

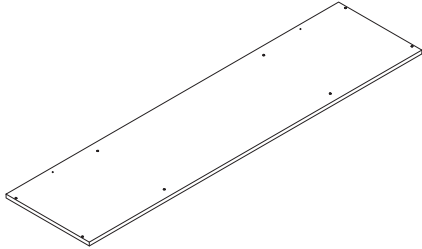


Ø3 x 12 mm

x 1

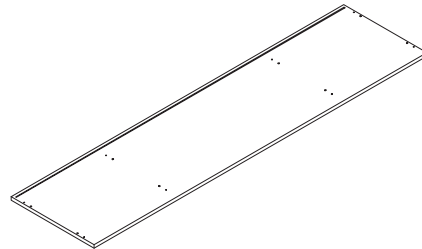


①



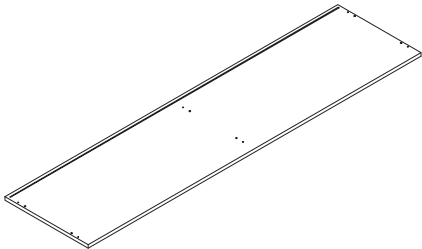
1PC

②



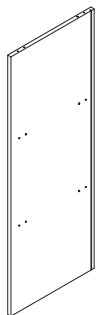
1PC

③



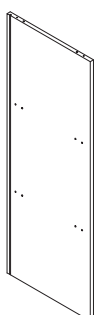
1PC

④



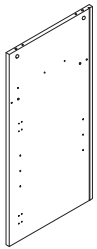
1PC

⑤

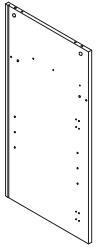
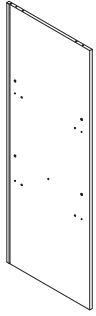

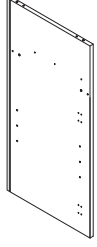
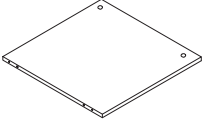
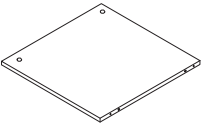
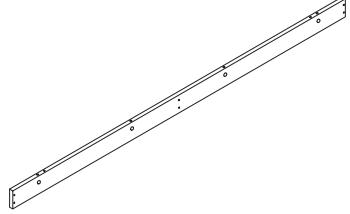
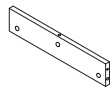
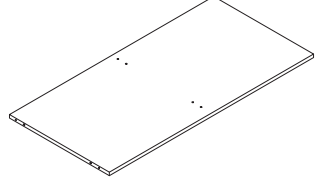
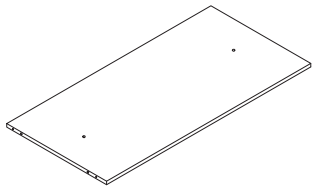
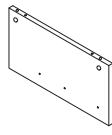
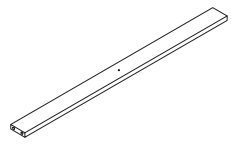
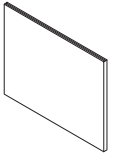
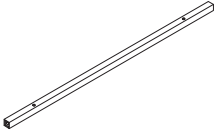
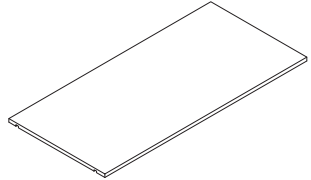


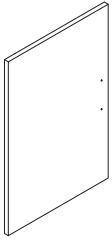





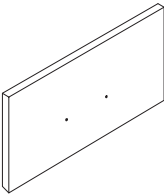
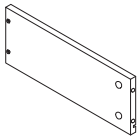
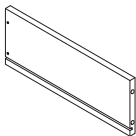
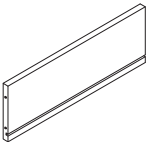
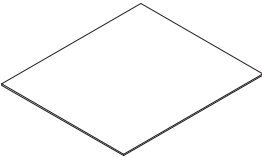
1PC

⑥



1PC

<p>⑦</p>  <p>1PC</p>	<p>⑧</p>  <p>1PC</p>	<p>⑨</p>  <p>1PC</p>
<p>⑩</p>  <p>1PC</p>	<p>⑪</p>  <p>2PCS</p>	<p>⑫</p>  <p>2PCS</p>
<p>⑬</p>  <p>2PCS</p>	<p>⑭</p>  <p>3PCS</p>	<p>⑮</p>  <p>1PC</p>
<p>⑯</p>  <p>1PC</p>	<p>⑰</p>  <p>2PCS</p>	<p>⑱</p>  <p>4PCS</p>
<p>⑲</p>  <p>2PCS</p>	<p>⑳</p>  <p>1PC</p>	<p>㉑</p>  <p>2PCS</p>
<p>5/35</p>		

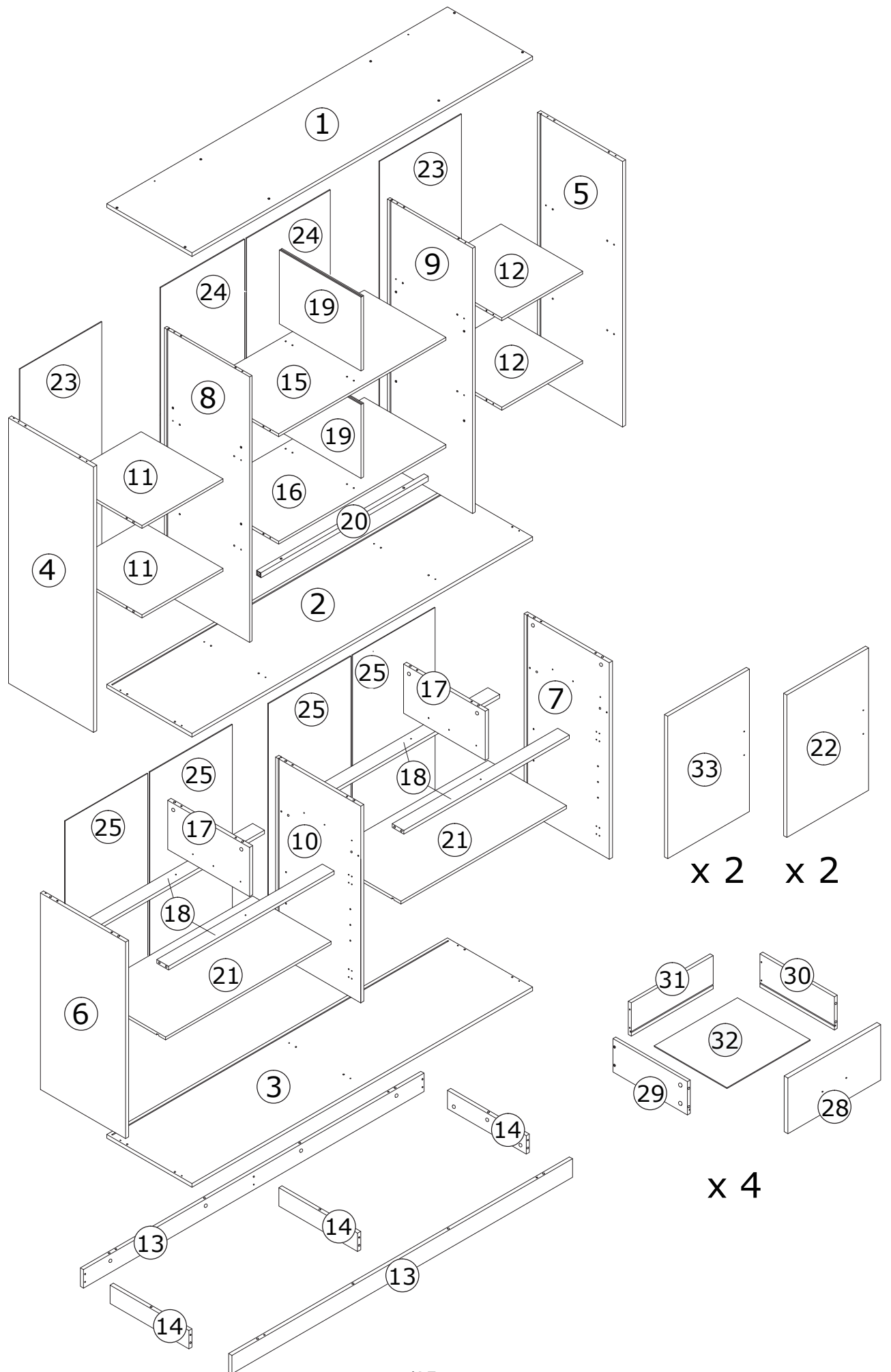
<p>②②</p>  <p>4PCS</p>	<p>②③</p>  <p>2PCS</p>	<p>②④</p>  <p>2PCS</p>
<p>②⑤</p>  <p>4PCS</p>	<p>②⑥</p>  <p>1PC</p>	<p>②⑦</p>  <p>2PCS</p>
<p>②⑧</p>  <p>4PCS</p>	<p>②⑨</p>  <p>4PCS</p>	<p>③⑩</p>  <p>4PCS</p>
<p>③①</p>  <p>4PCS</p>	<p>③②</p>  <p>4PCS</p>	

**⚠ WARNING**

**Children have died from furniture tipover. To reduce the risk of furniture tipover:**

- ALWAYS install tipover restraint provided.
- NEVER put a TV on this product.
- NEVER allow children to stand, climb or hang on drawers, doors, or shelves.
- NEVER open more than one drawer at a time.
- Place heaviest items in the lowest drawers.

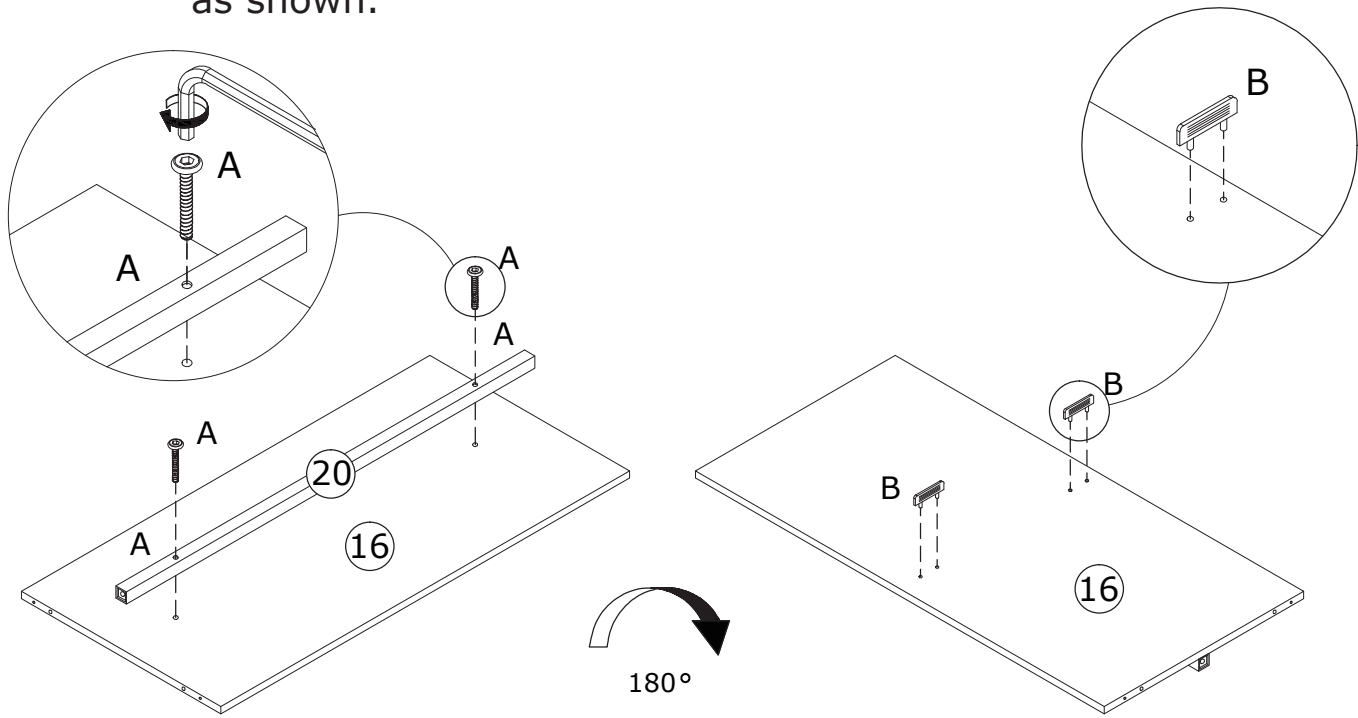
*This is a permanent label. Do not remove!*




1

A x 2  Ø6 x 30mm	B x 2 	
---	--	---

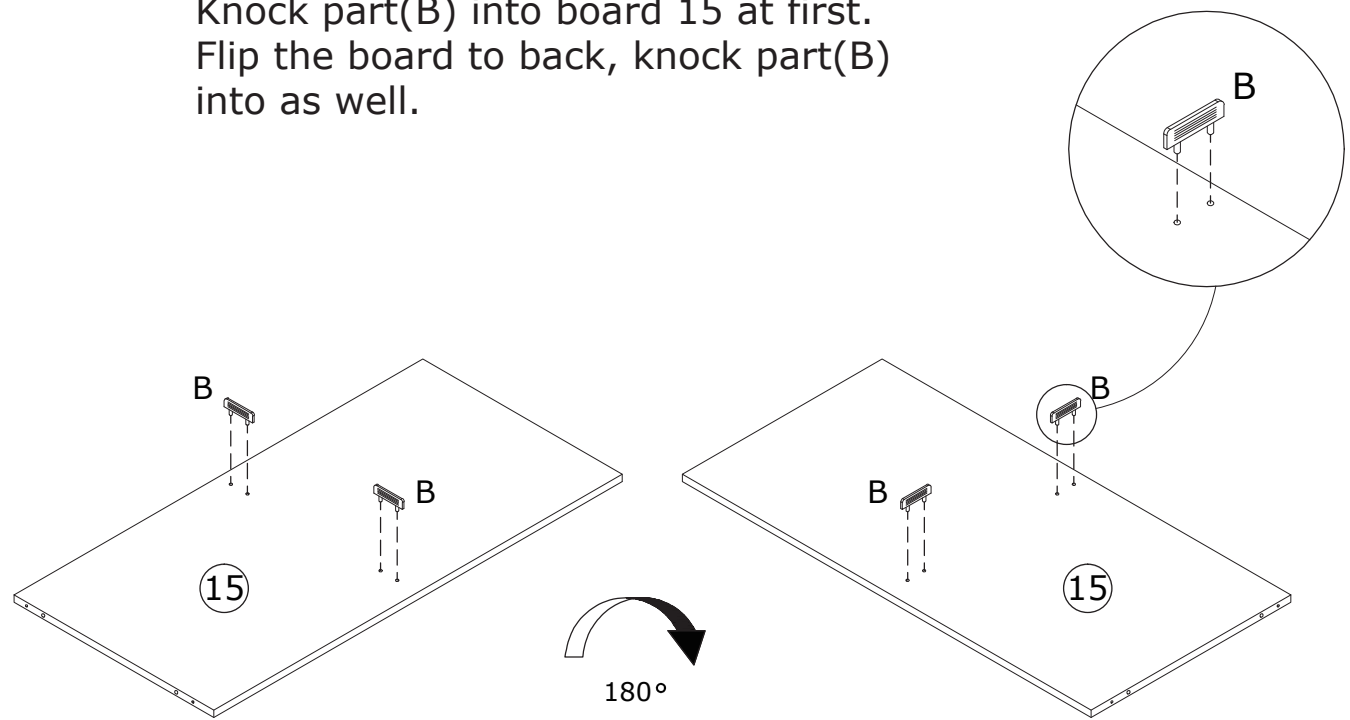
Fix tube 20 to board 16 with screw(A) at first.  
Flip the board to back, knock part(B) into  
as shown.



2

B x 4 	
--	--

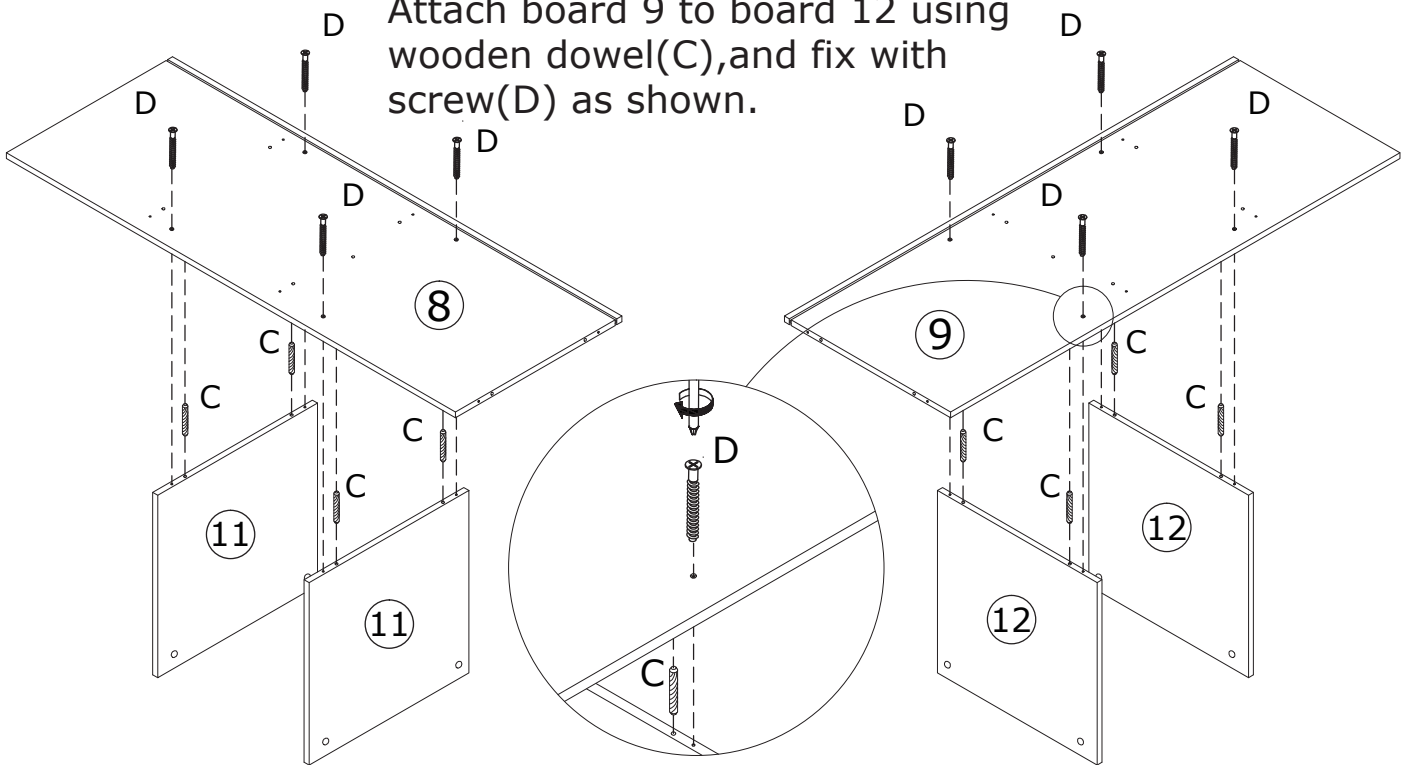
Knock part(B) into board 15 at first.  
Flip the board to back, knock part(B)  
into as well.



3



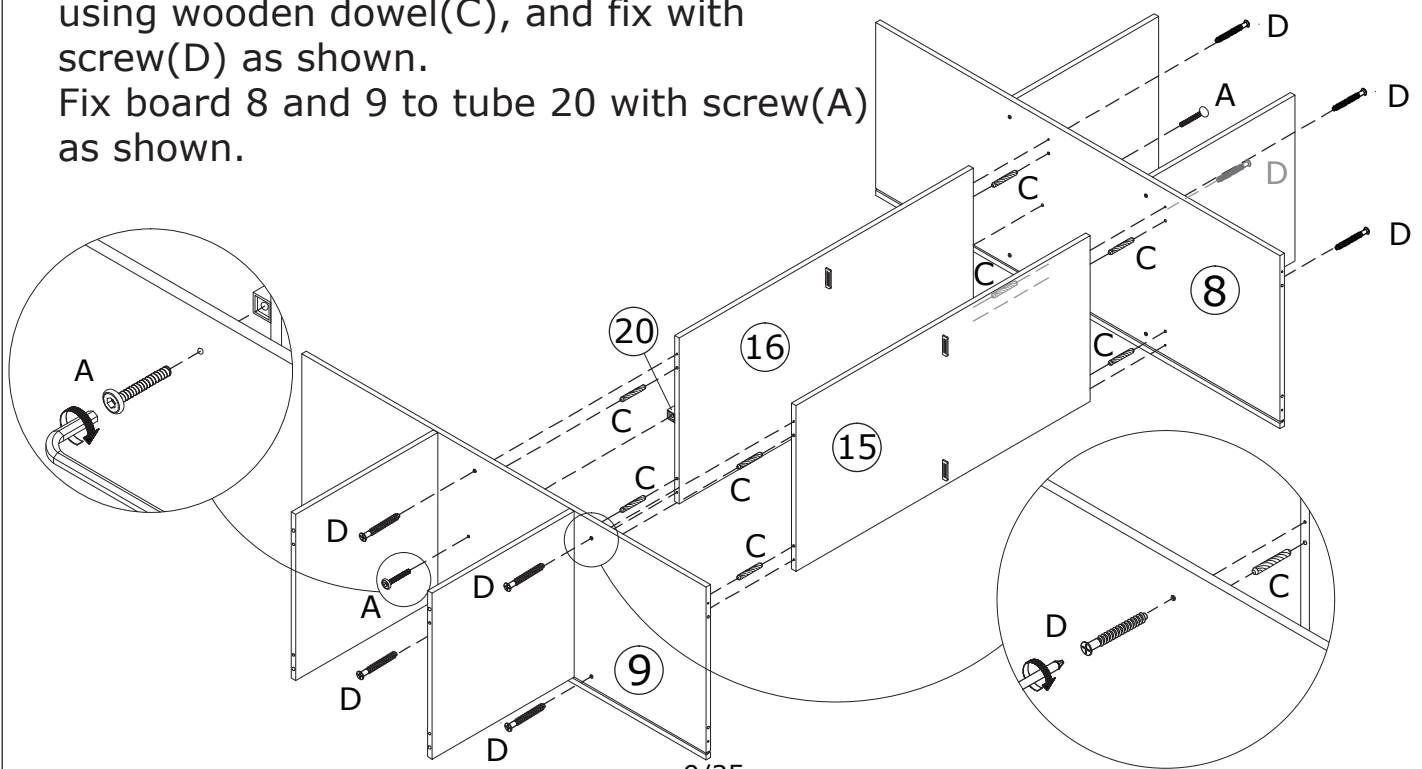
Attach board 8 to board 11 using wooden dowel(C), and fix with screw(D) as shown.  
Attach board 9 to board 12 using wooden dowel(C), and fix with screw(D) as shown.



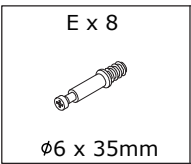
4



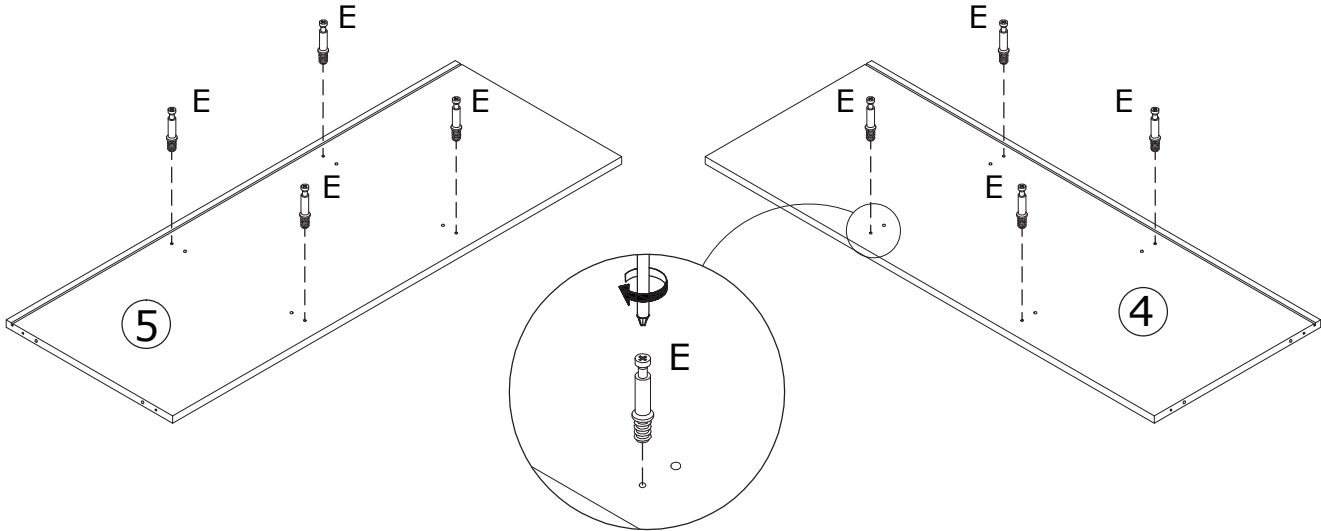
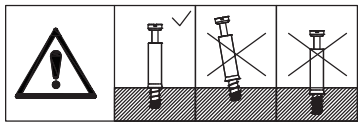
Connect board 8 and 9 to board 15 and 16 using wooden dowel(C), and fix with screw(D) as shown.  
Fix board 8 and 9 to tube 20 with screw(A) as shown.



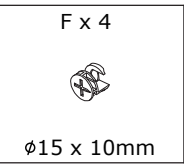
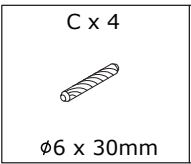
5



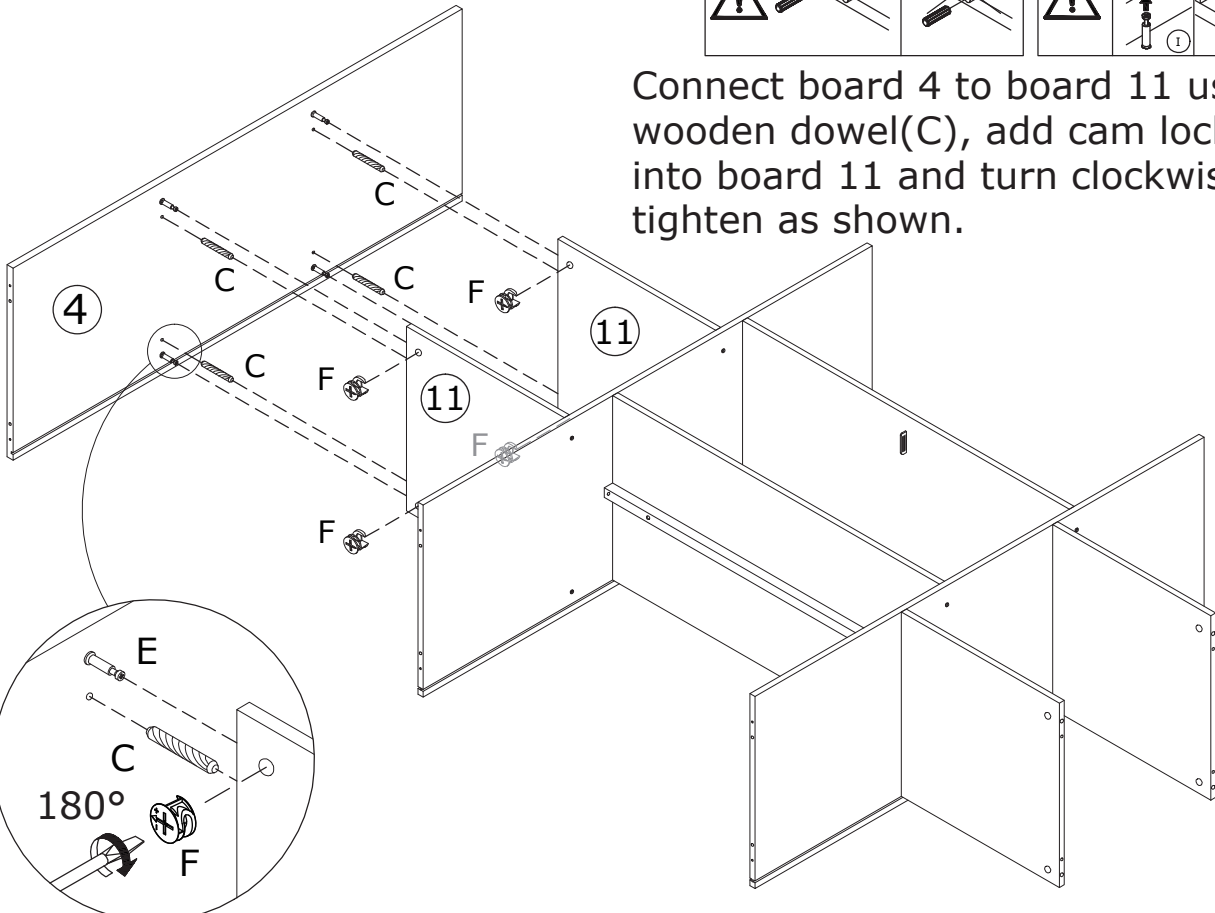
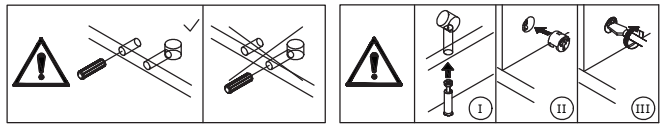
Screw eccentric rod(E) into board 4 and 5 as shown.





6

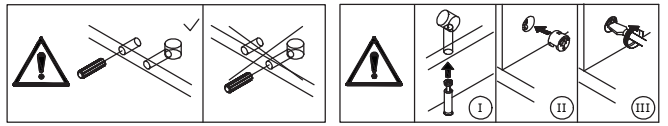
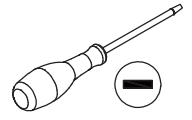


Connect board 4 to board 11 using wooden dowel(C), add cam lock(F) into board 11 and turn clockwise to tighten as shown.

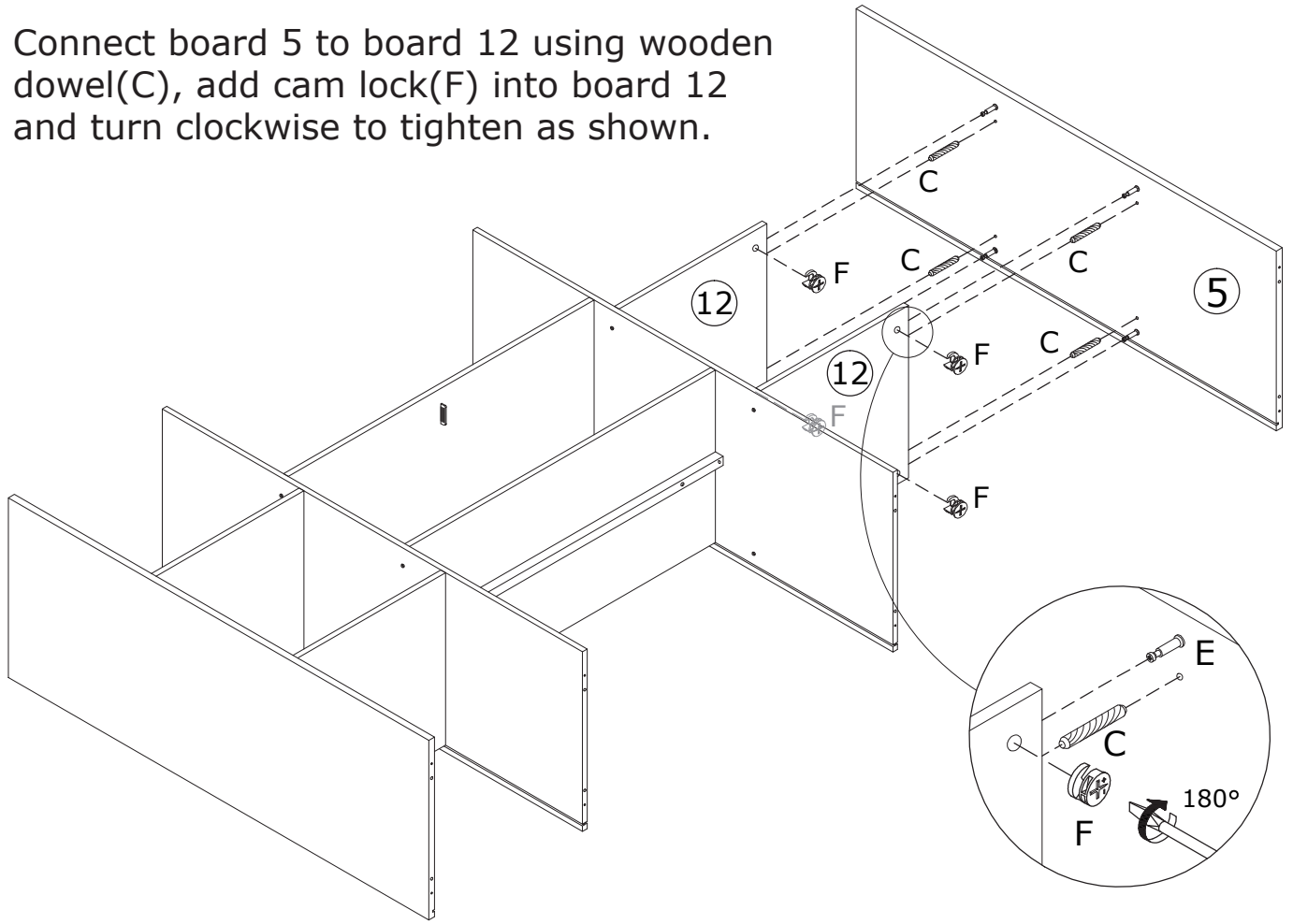


7

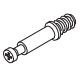
C x 4  Ø6 x 30mm	F x 4  Ø15 x 10mm
---	--

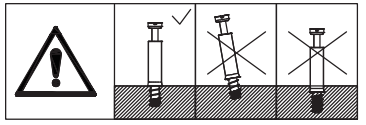
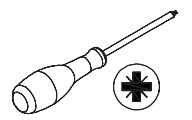


Connect board 5 to board 12 using wooden dowel(C), add cam lock(F) into board 12 and turn clockwise to tighten as shown.

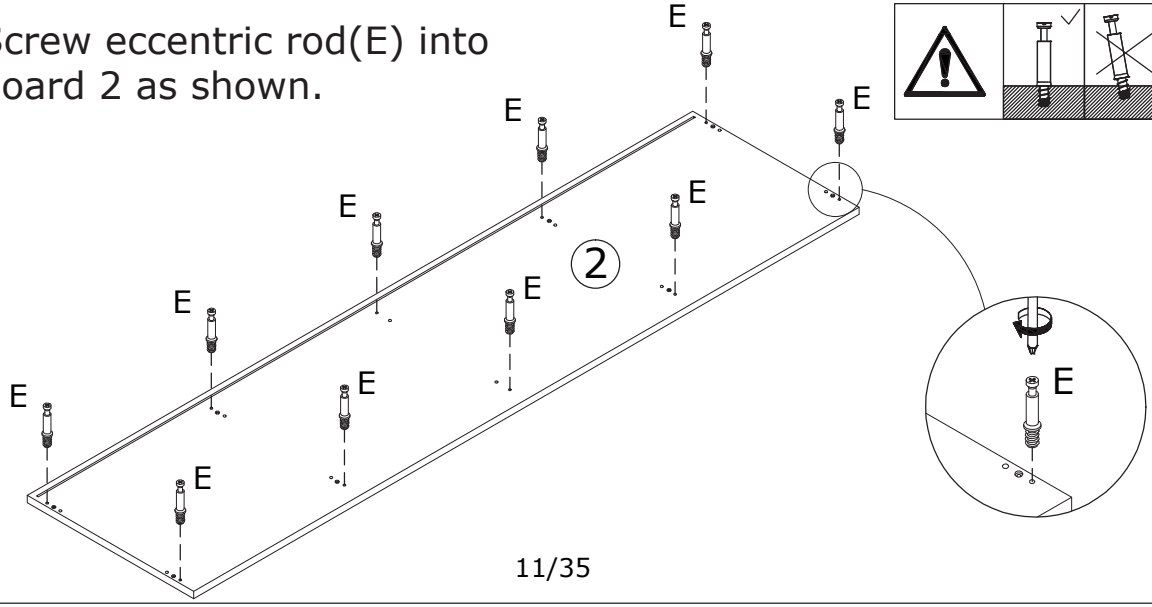


8

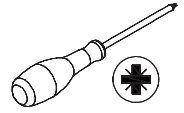
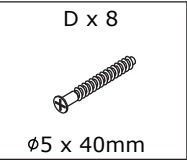
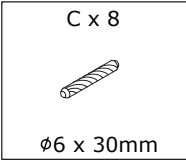
E x 10  Ø6 x 35mm
--



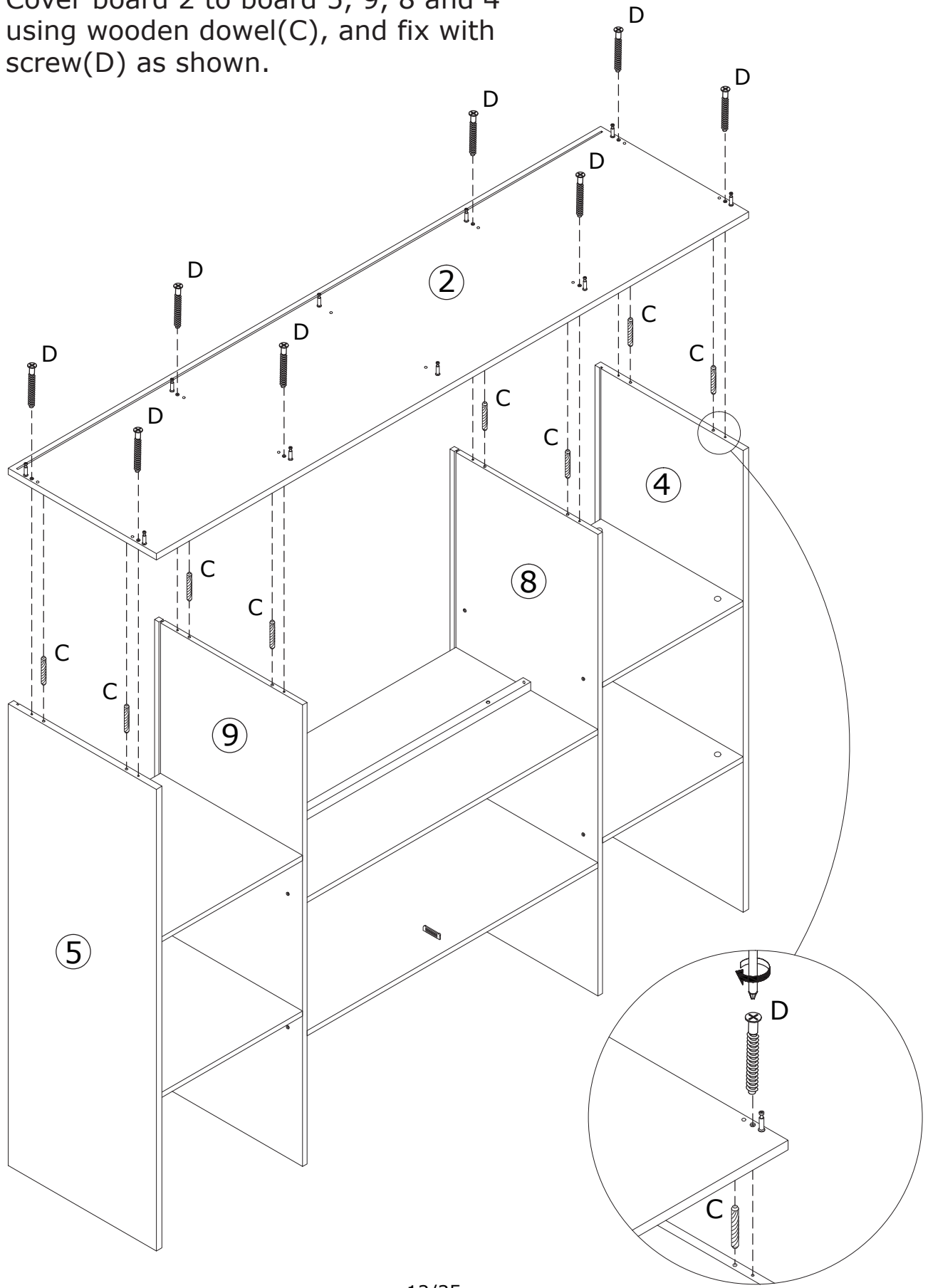
Screw eccentric rod(E) into board 2 as shown.



9

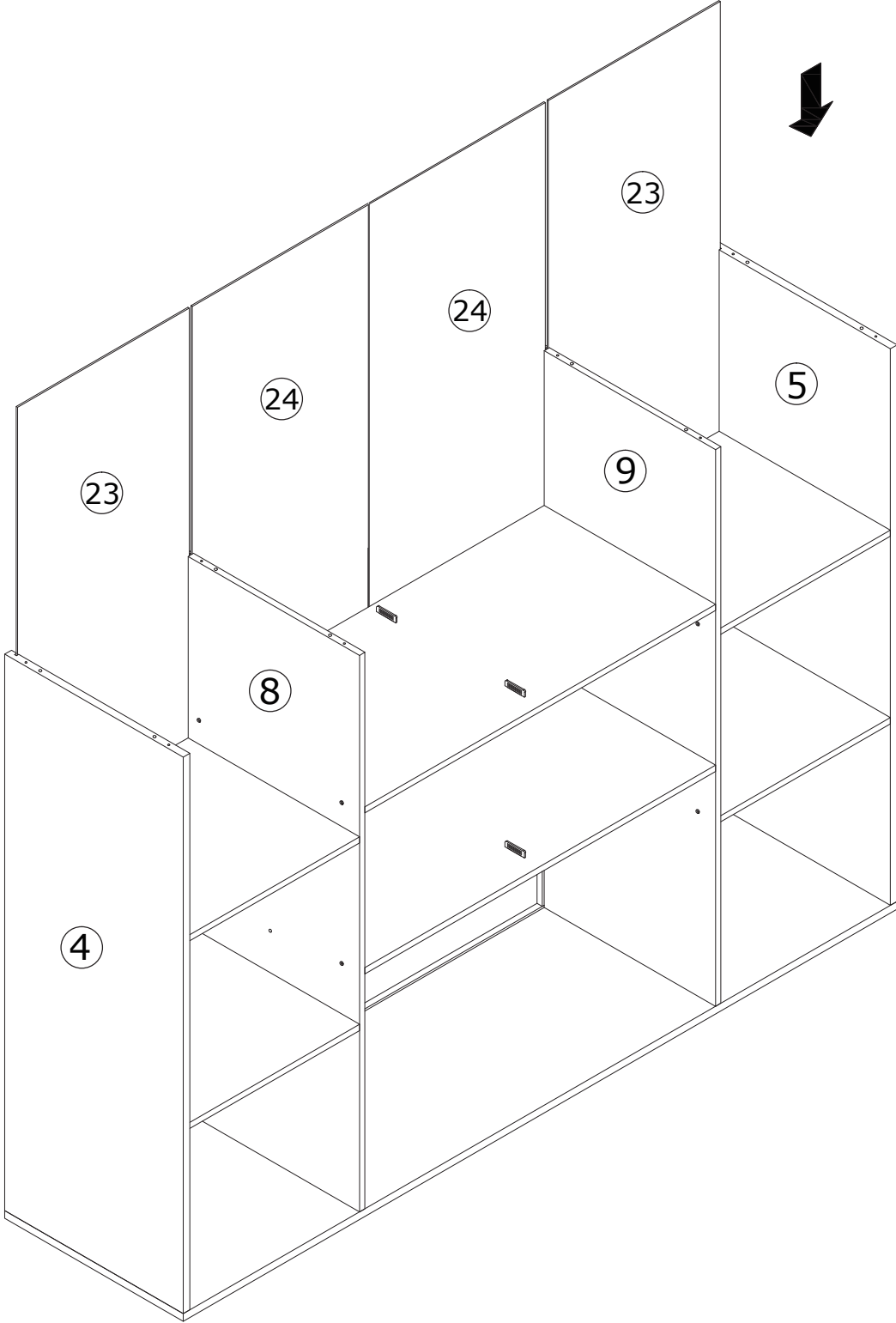


Cover board 2 to board 5, 9, 8 and 4 using wooden dowel(C), and fix with screw(D) as shown.



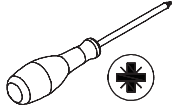


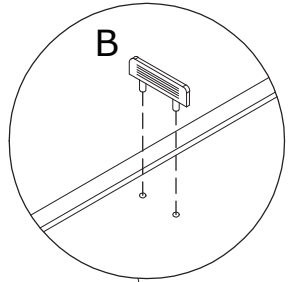
10

Insert back board 23 and plate 24 along available grooves as shown.

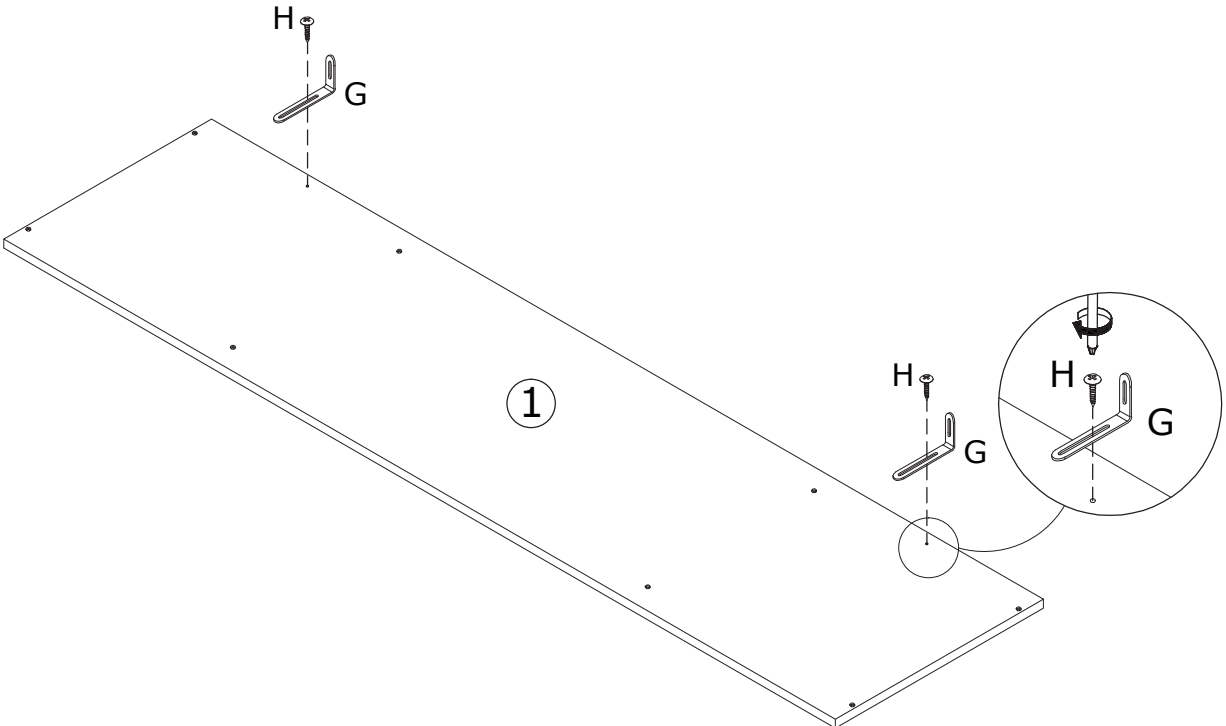
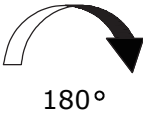
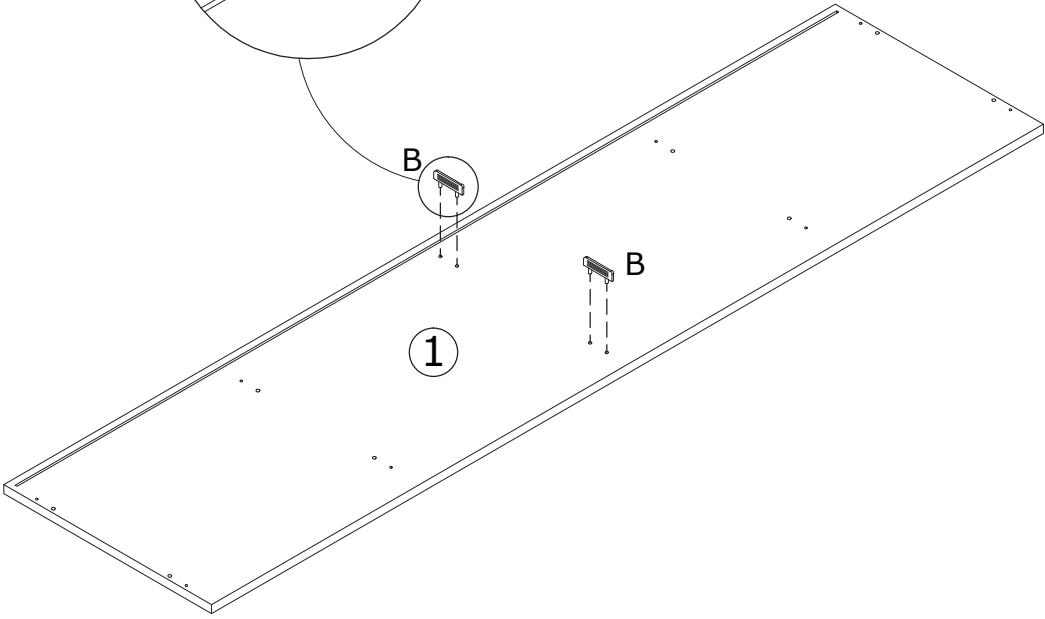


11

B x 2 	G x 2 	H x 2  ø4 x 12mm	
--	--	---	---



Knock part(B) into board 1 at first.  
Flip the board to back, fix part(G)  
with screw(H) as shown.



# 12

C x 8

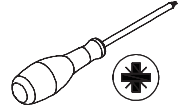


∅6 x 30mm

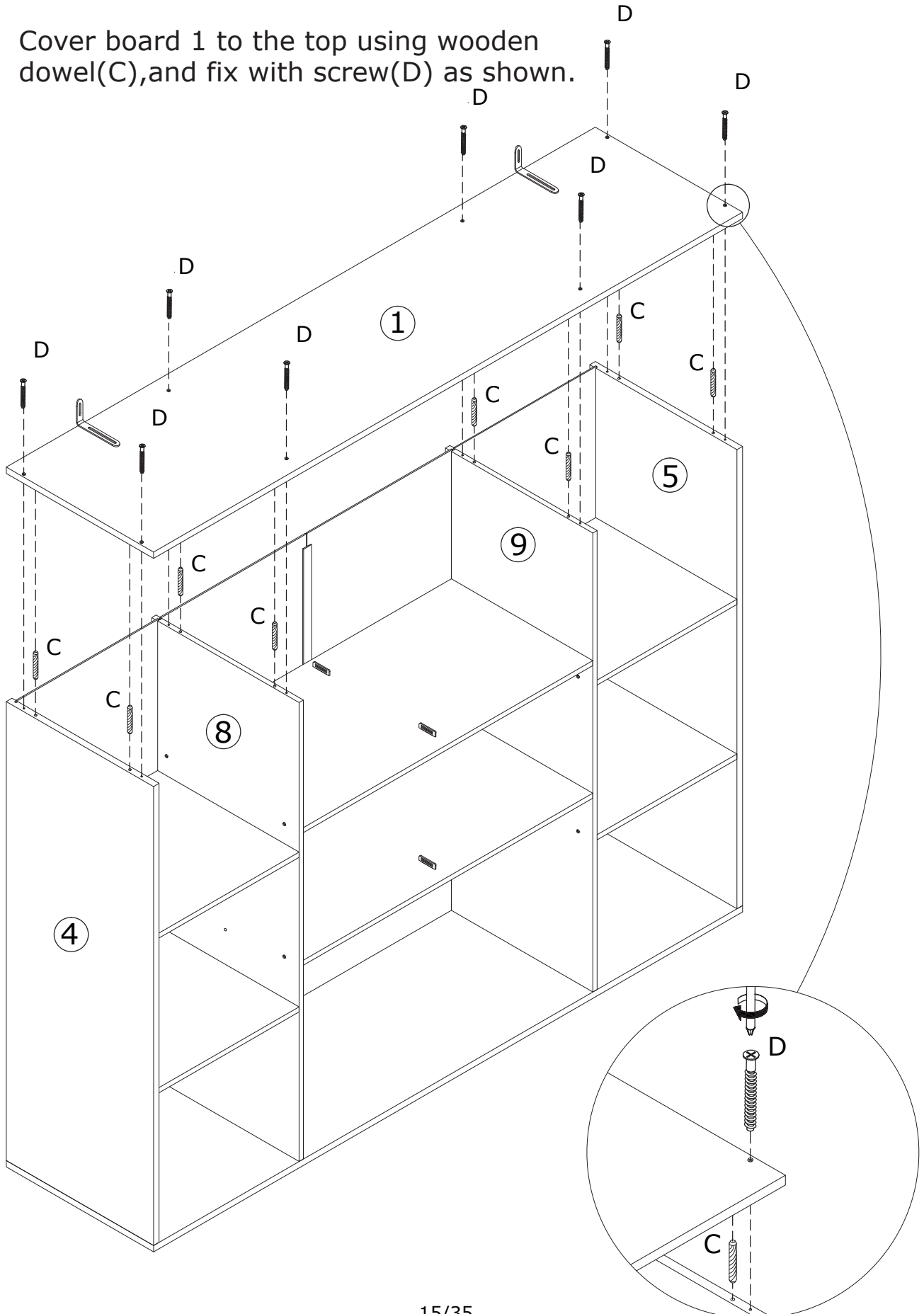
D x 8



∅5 x 40mm

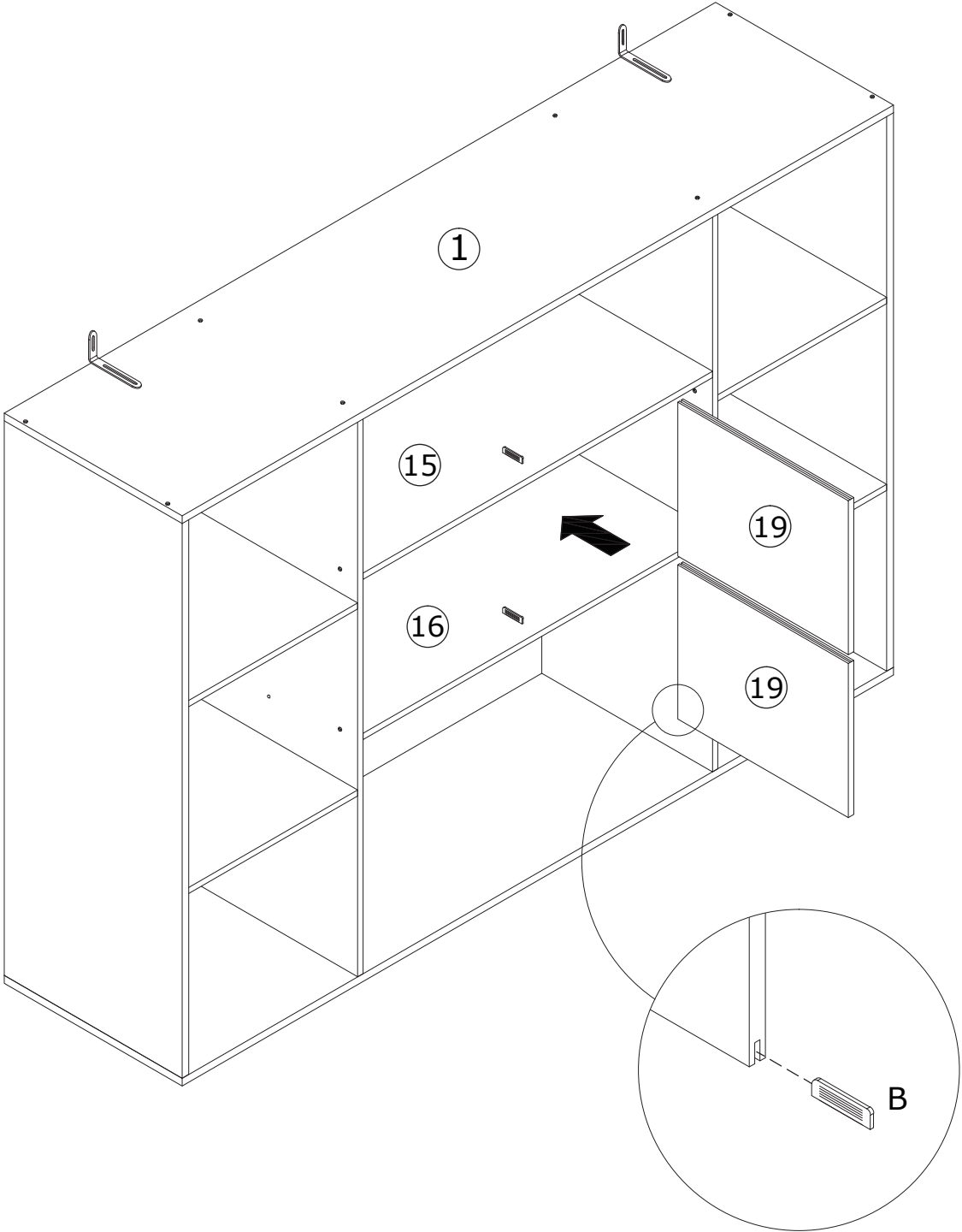


Cover board 1 to the top using wooden dowel(C), and fix with screw(D) as shown.



13

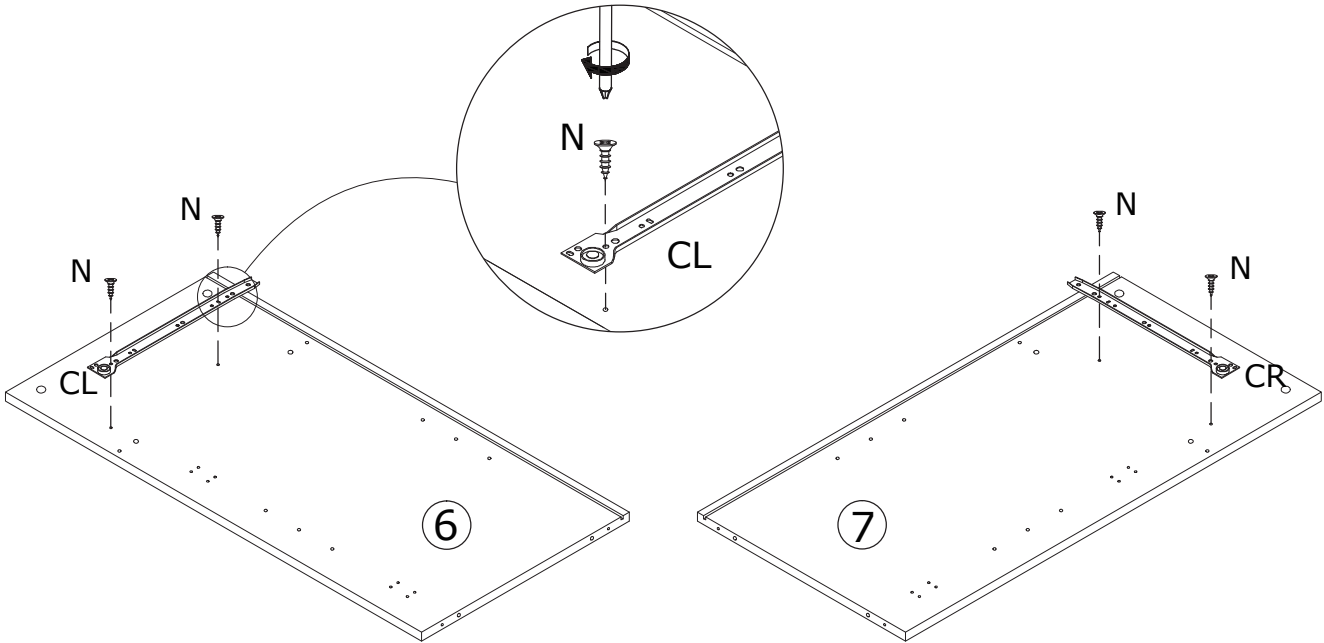
Insert divider board 19 into as shown.



# 14



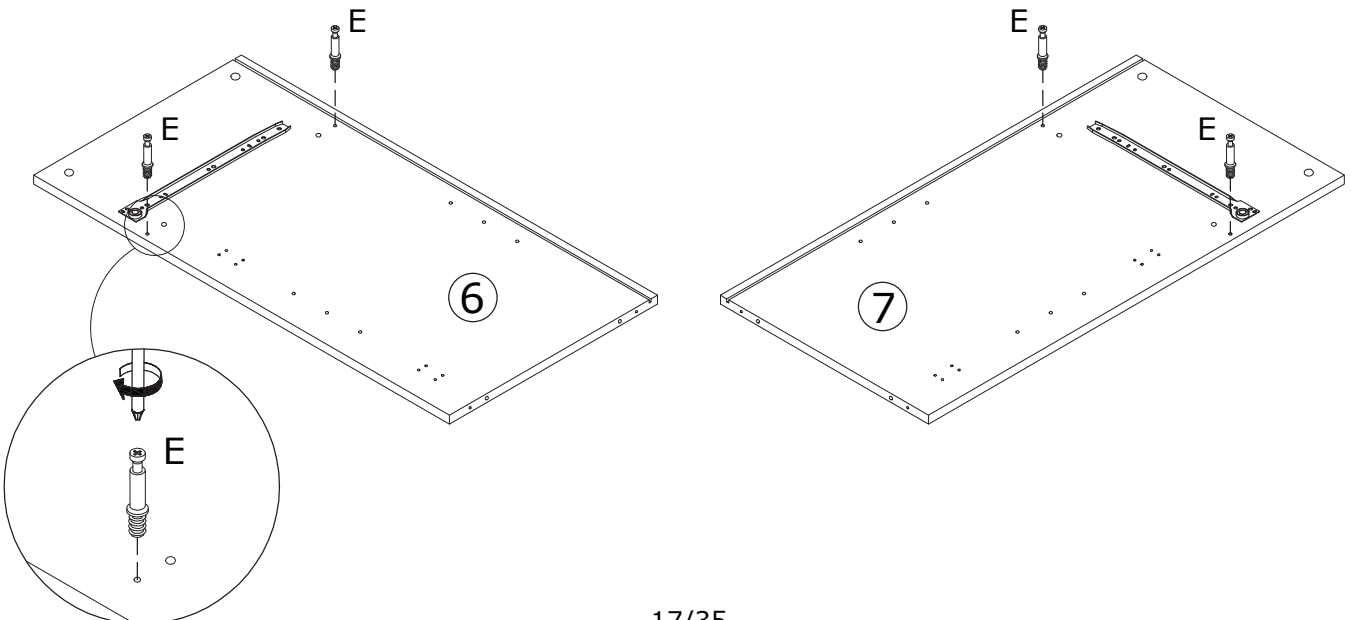
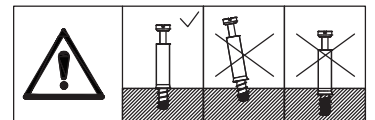
Fix slide rail (CL) and (CR) to board 6 and 7 with screw (N) as shown.



# 15



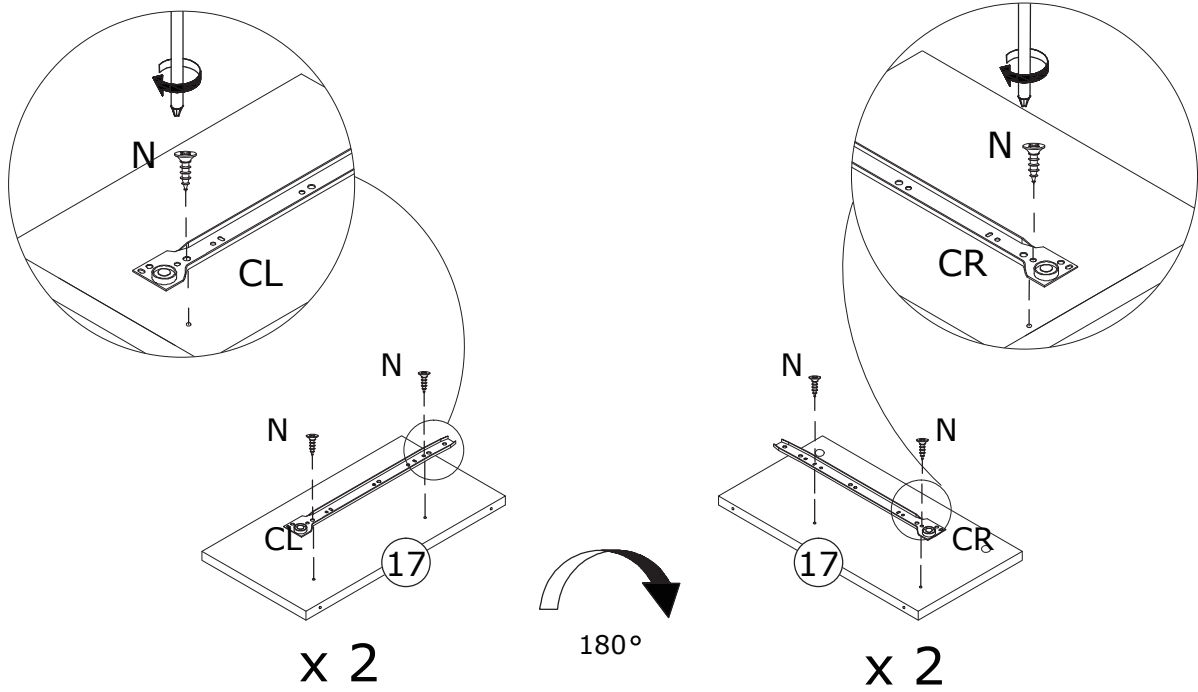
Screw eccentric rod (E) into board 6 and 7 as shown.



# 16

CL x 2  L 300 mm	CR x 2  L 300 mm	N x 8  ø3.5 x 12mm	
---	---	---	---

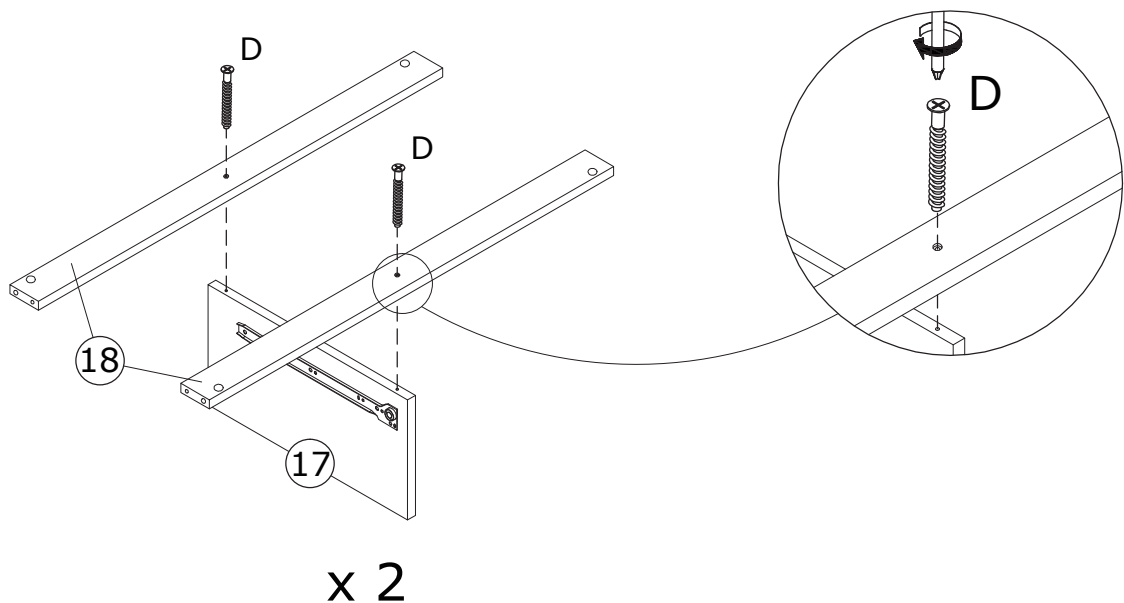
Fix slide rail(CL) to board 17 with screw(N) at first.  
Flip the board to back, fix slide rail(CR) as shown.



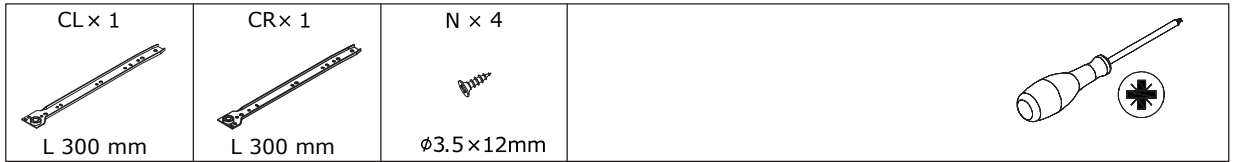
# 17

D x 4  ø5 x 40mm	
---	---

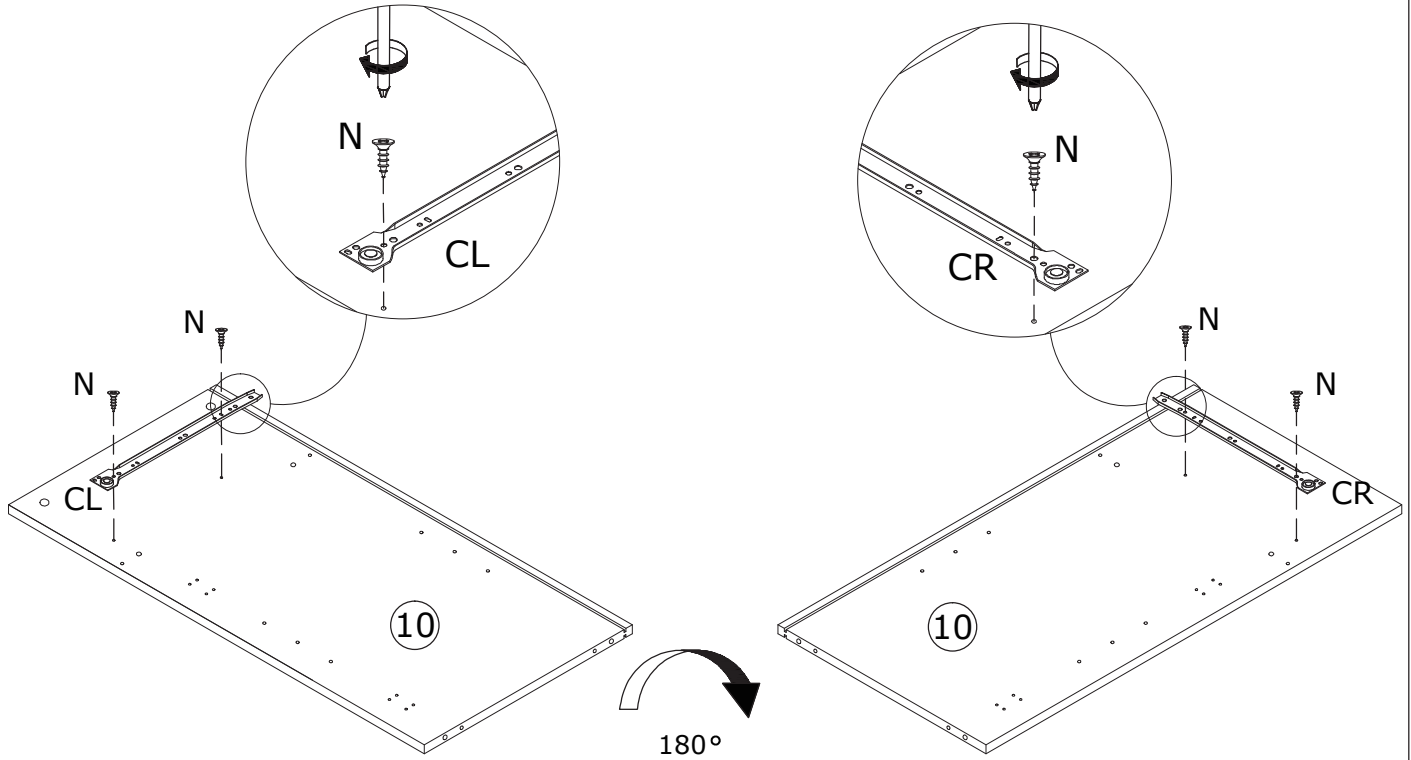
Fix board 18 to board 17 with screw(D) as shown.



# 18



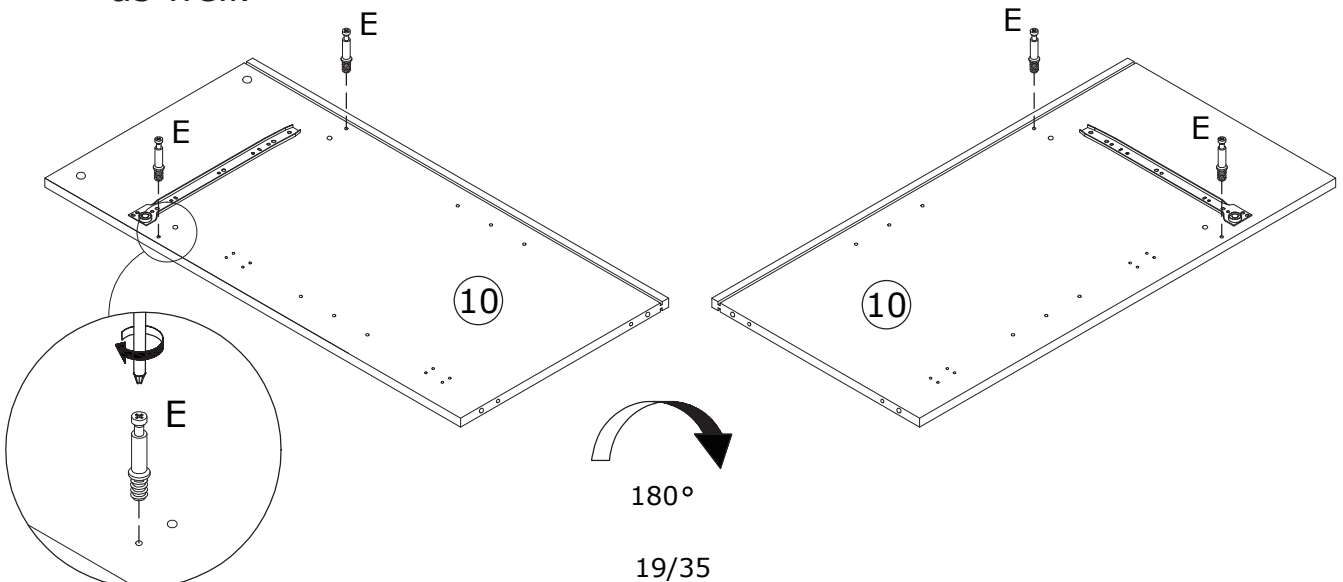
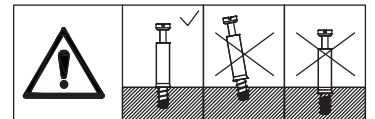
Fix slide rail(CL) to board 10 with screw(N) at first.  
Flip the board to back, fix slide rail(CR) as shown.



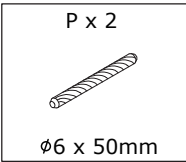
# 19



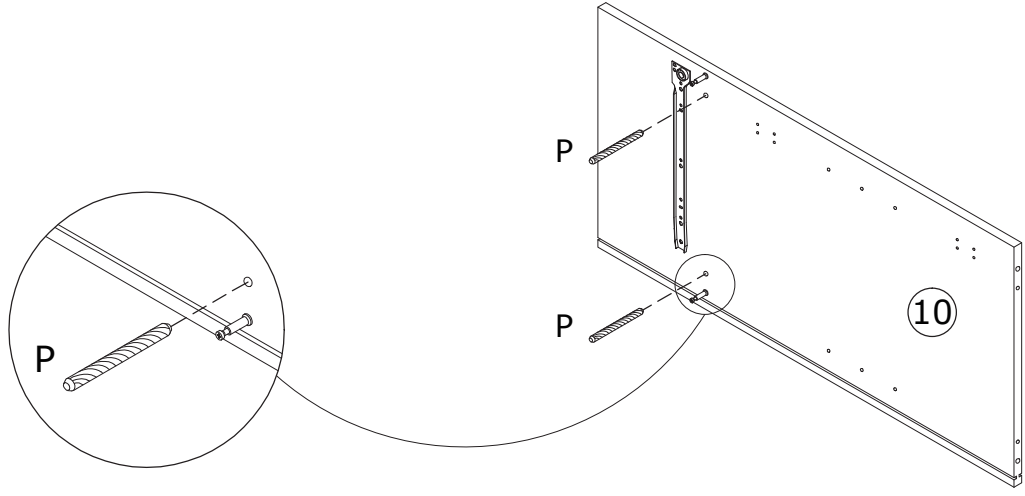
Screw eccentric rod(E) into board 10 at first.  
Flip the board to back, screw eccentric rod(E)  
as well.



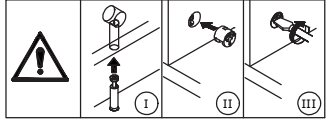
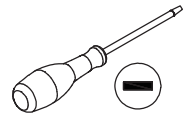
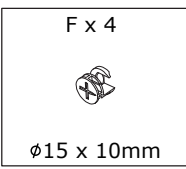
20



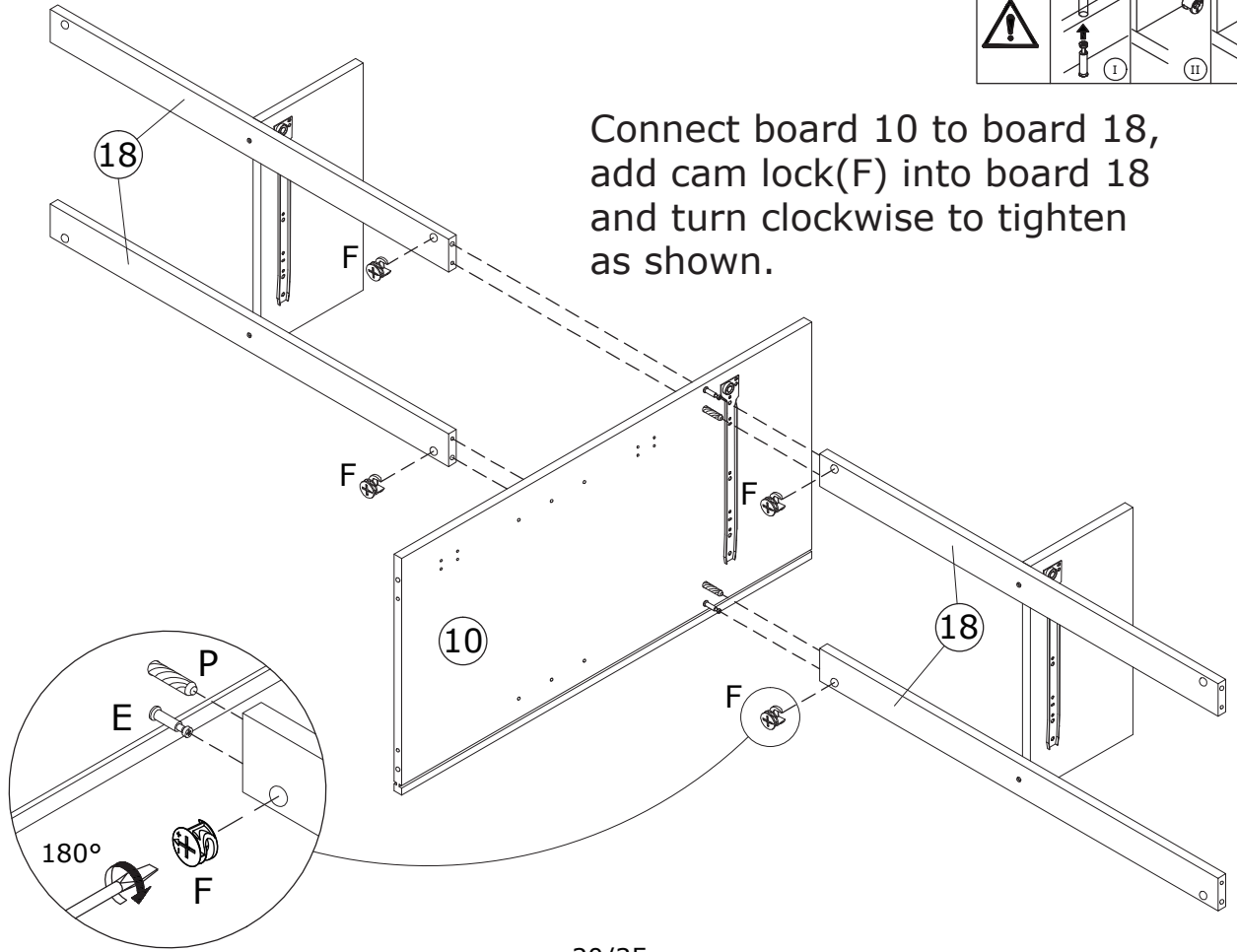
Insert long wooden dowel(P)  
into board 10 as shown.



21



Connect board 10 to board 18,  
add cam lock(F) into board 18  
and turn clockwise to tighten  
as shown.



# 22

C x 4

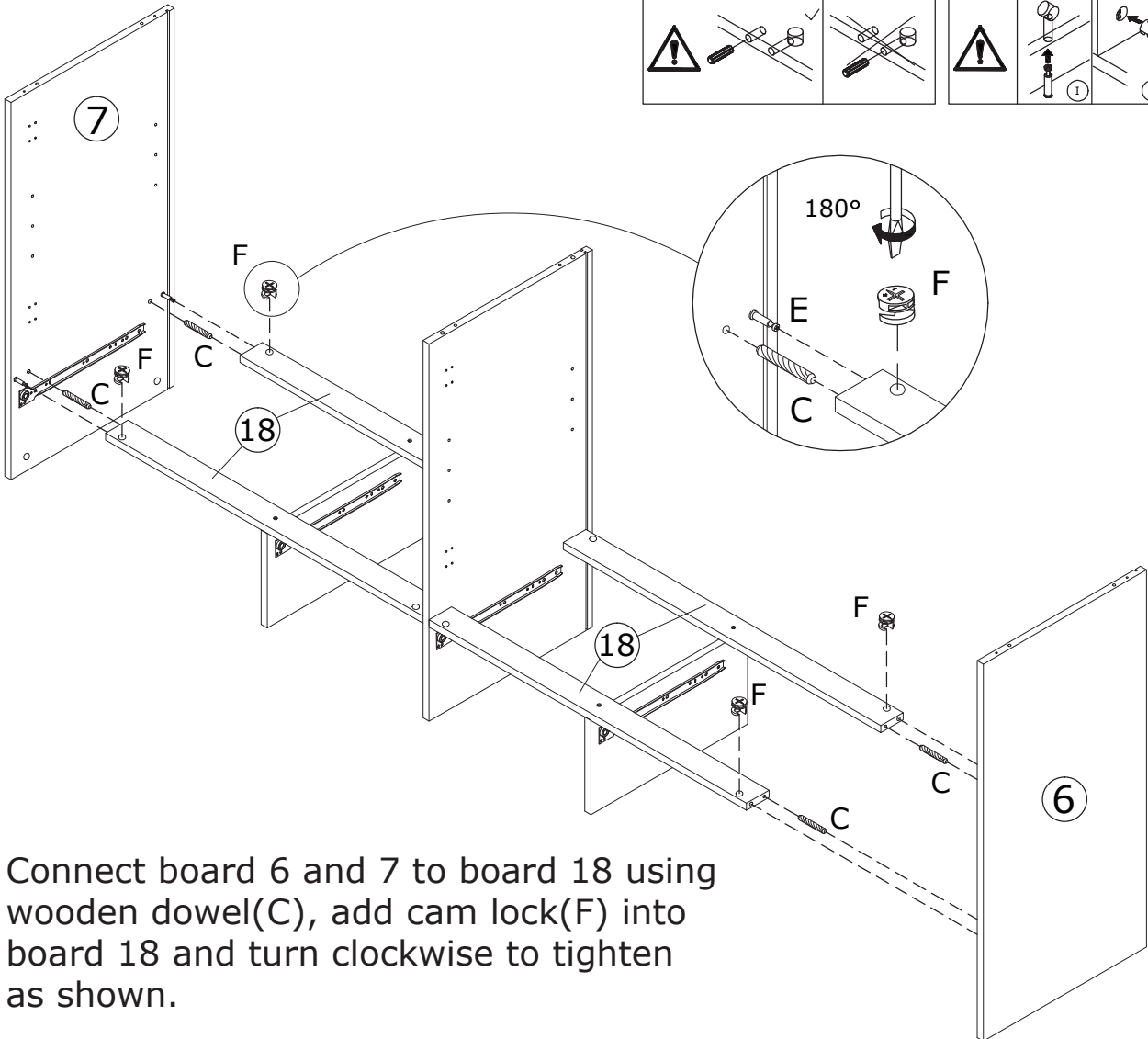
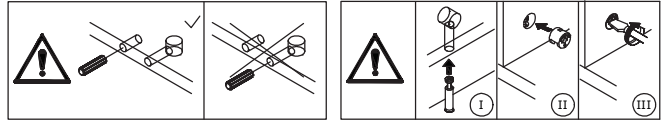
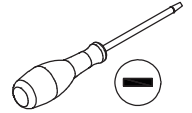


∅6 x 30mm

F x 4



∅15 x 10mm



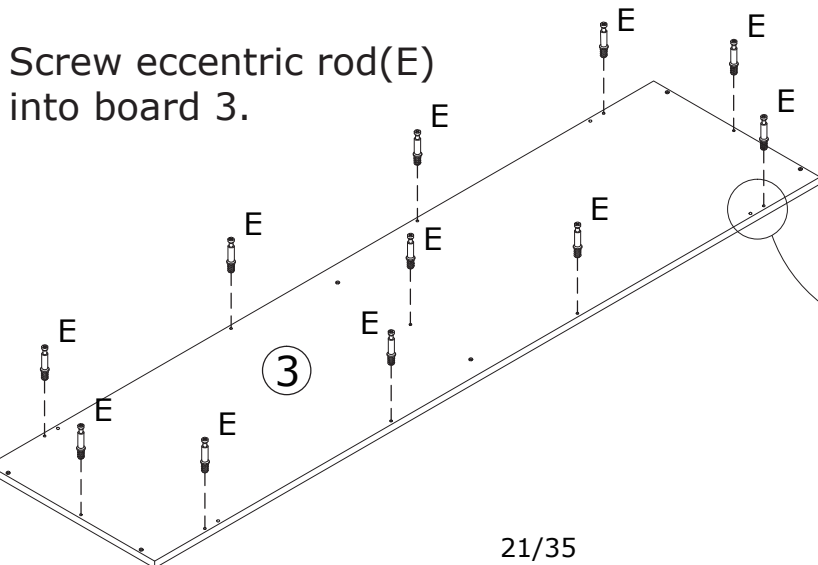
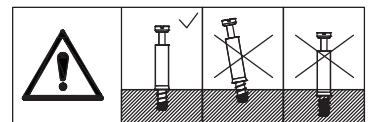
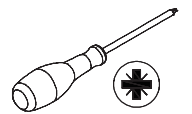
Connect board 6 and 7 to board 18 using wooden dowel(C), add cam lock(F) into board 18 and turn clockwise to tighten as shown.

# 23

E x 11



∅6 x 35mm



Screw eccentric rod(E) into board 3.

# 24

C x 6

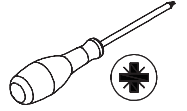


∅6 x 30mm

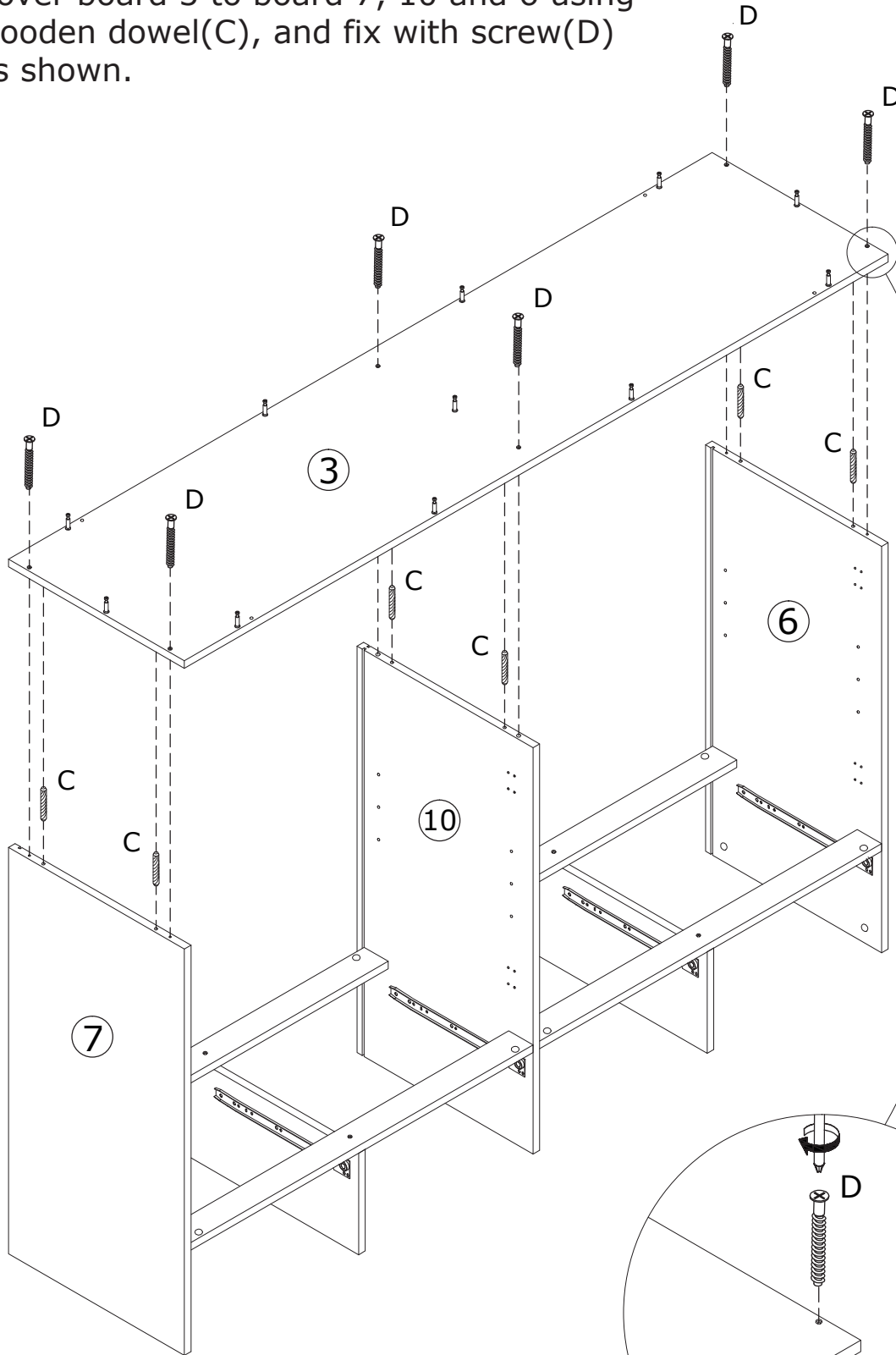
D x 6



∅5 x 40mm



Cover board 3 to board 7, 10 and 6 using wooden dowel(C), and fix with screw(D) as shown.

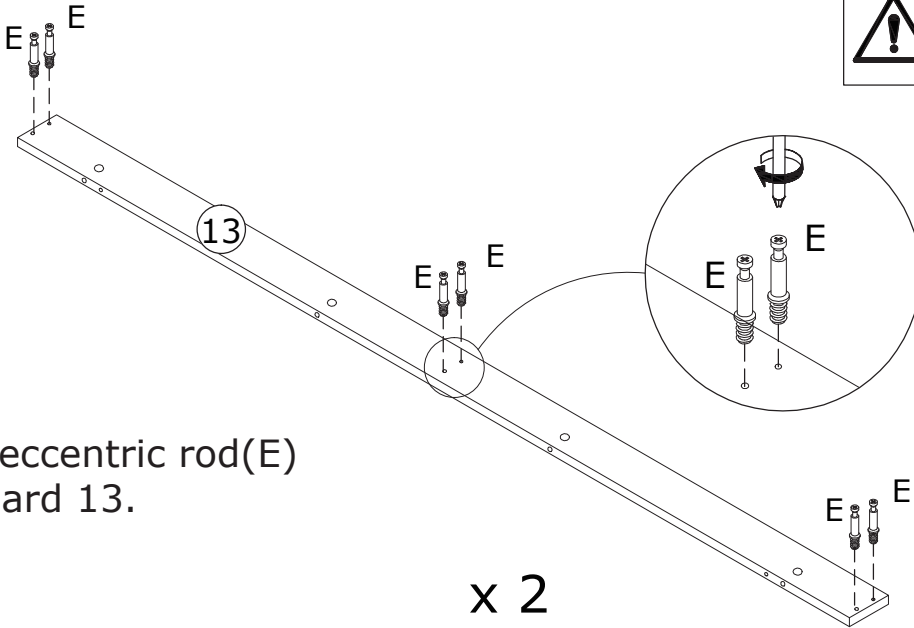
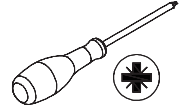


# 25

E x 12



Ø6 x 35mm



Screw eccentric rod(E)  
into board 13.

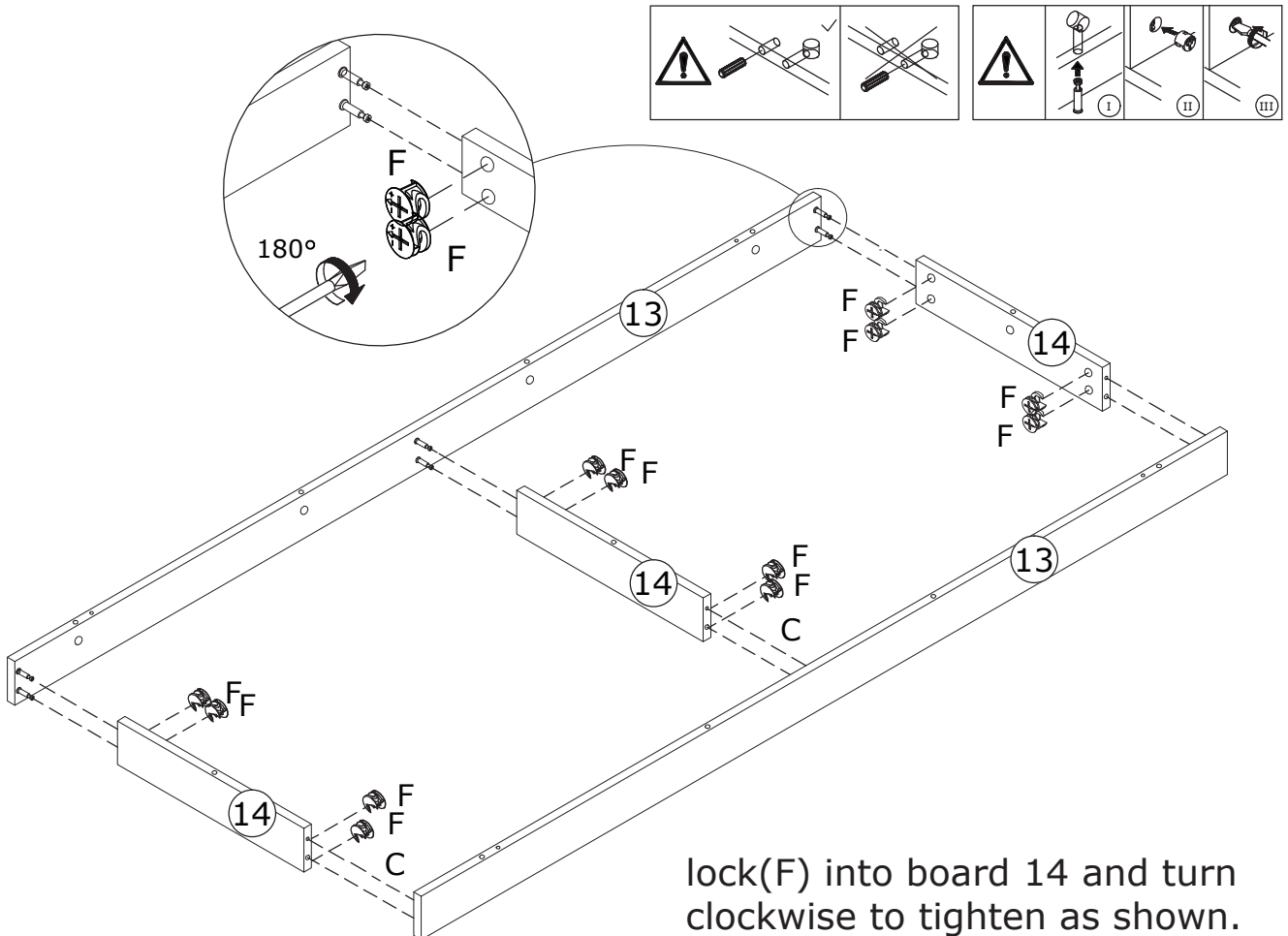
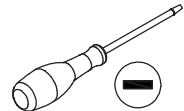
x 2

# 26

F x 12





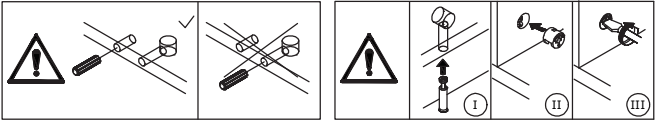
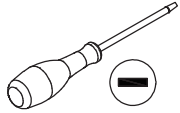
Ø15 x 10mm



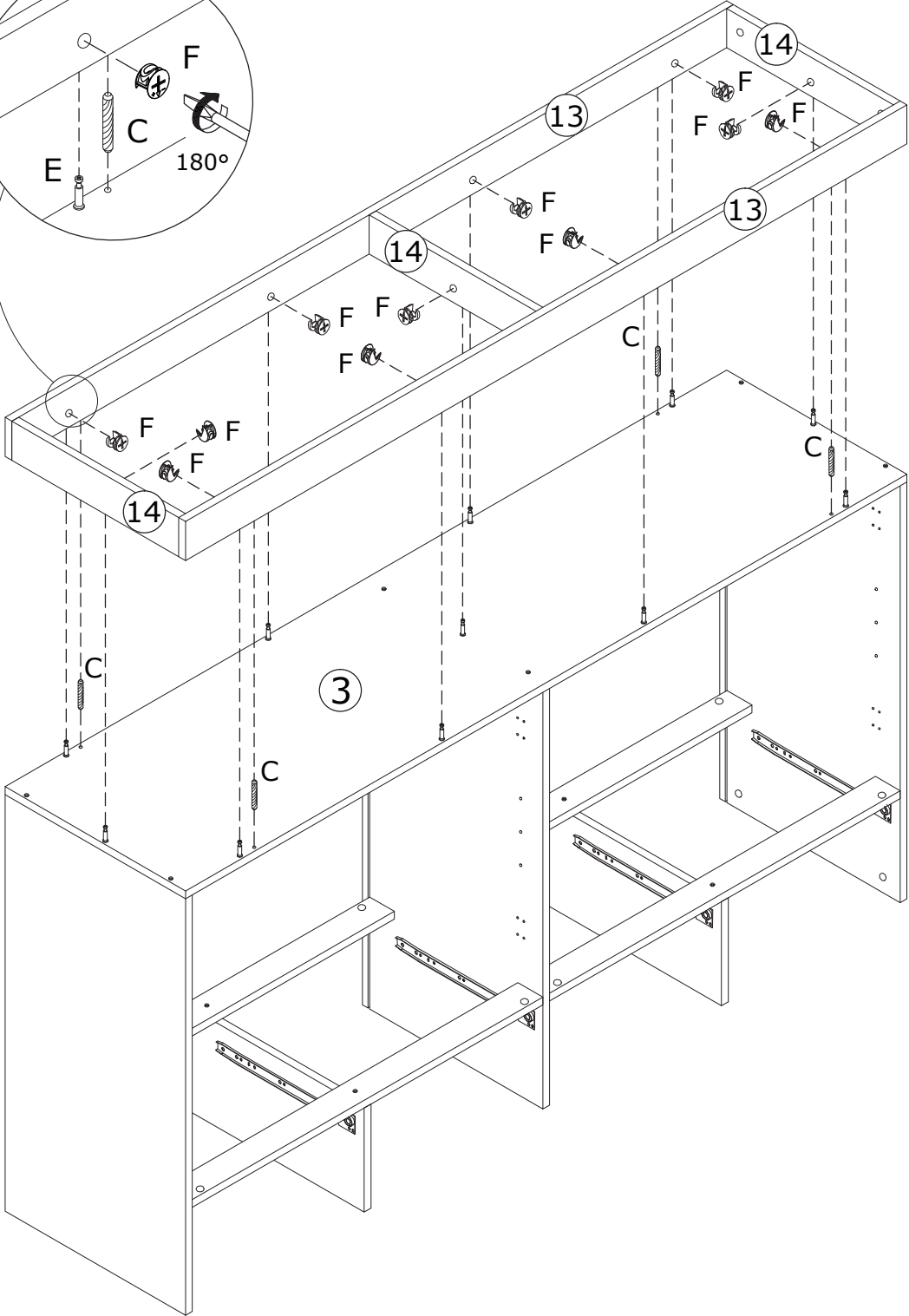
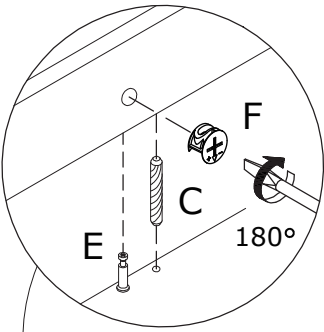
lock(F) into board 14 and turn  
clockwise to tighten as shown.

27

C x 4  ø6 x 30mm	F x 11  ø15 x 10mm
---	---

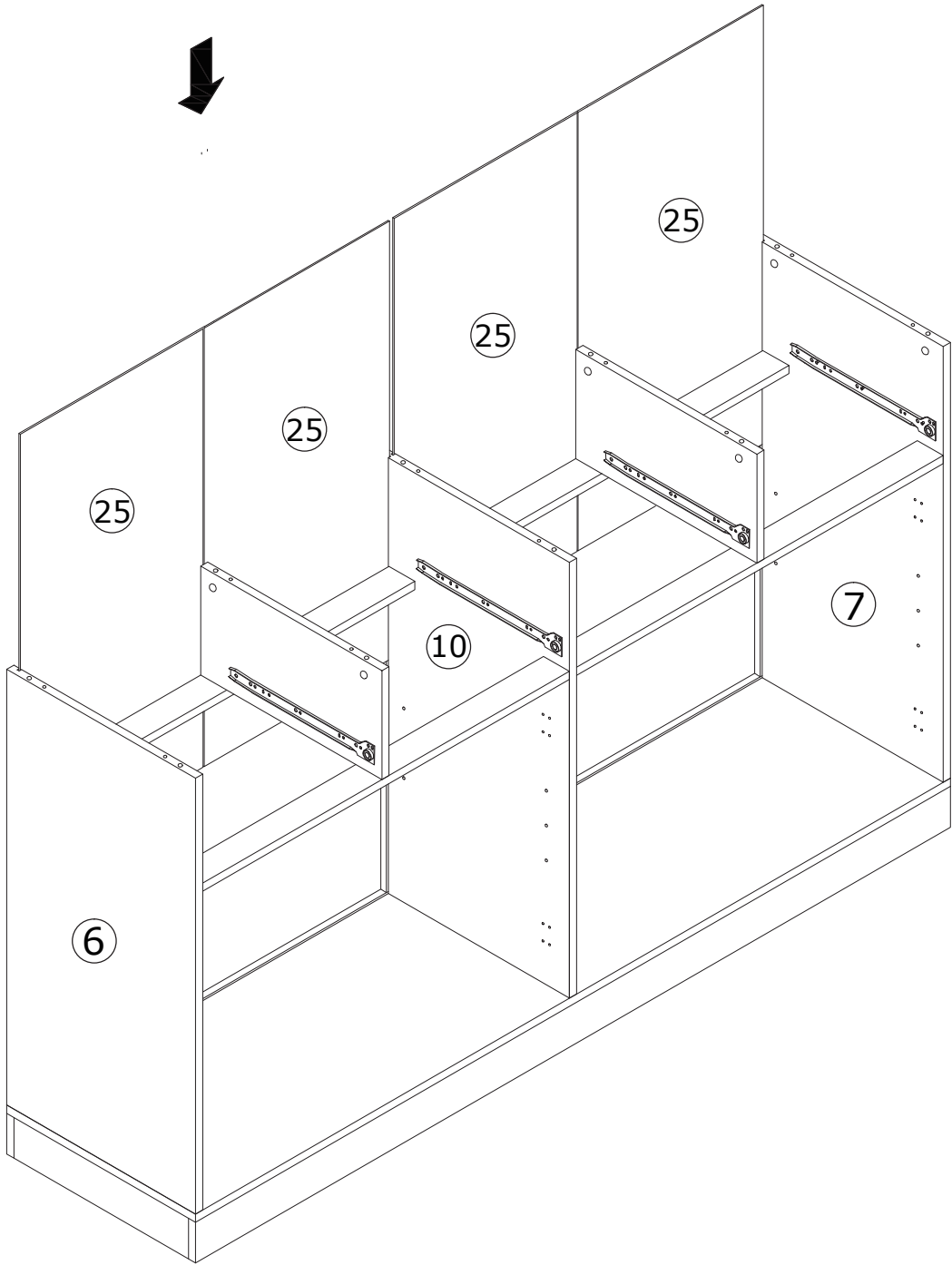


Attach the part to board 3 using wooden dowel(C), add cam lock(F) into and turn clockwise to tighten as shown.



28

Insert back board 25  
along available grooves as shown.



# 29

C x 10

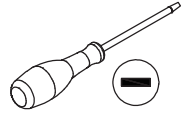


∅6 x 30mm

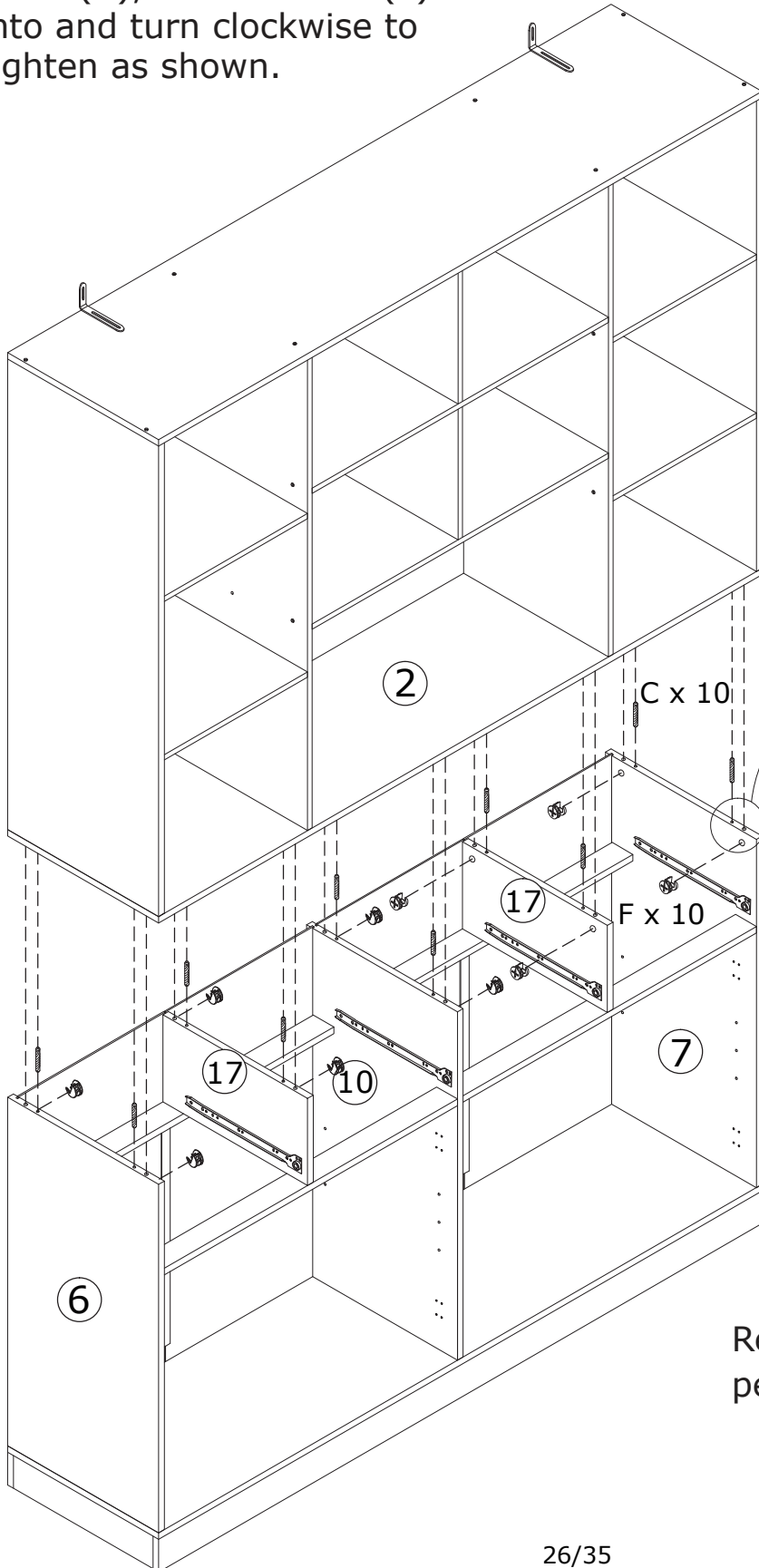
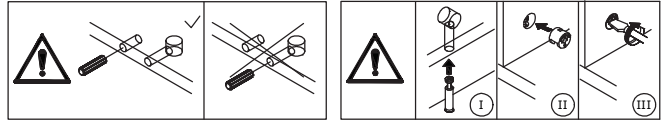
F x 10



∅15 x 10mm



Connect the two assembled components using wooden dowel(C), add cam lock(F) into and turn clockwise to tighten as shown.



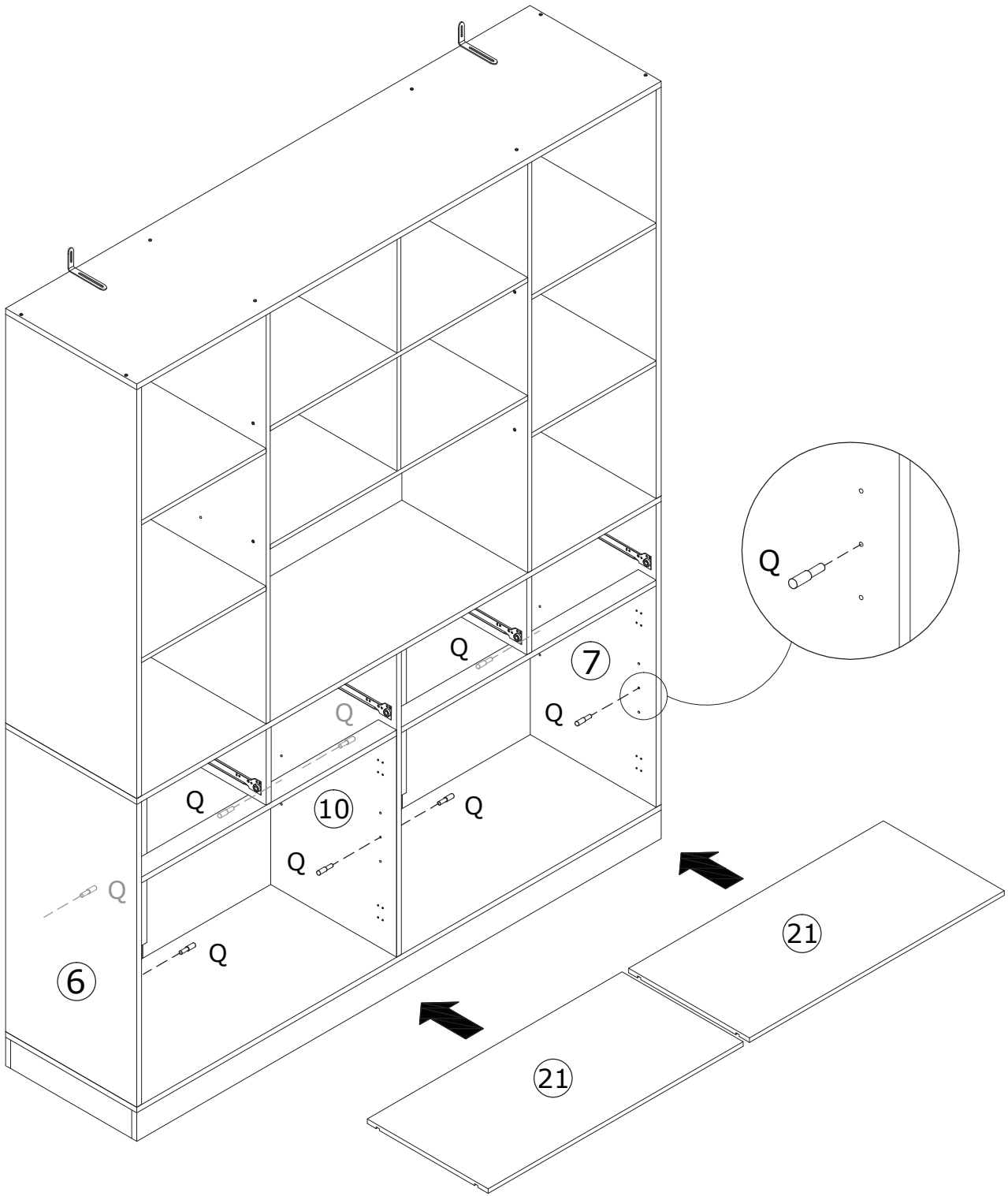
Request more than two people to assemble.

30

Q x 8



Insert layer pin(Q) into board 6, 10 and 7,  
then place shelf board 21 in as shown.



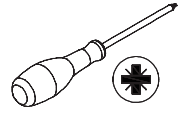
# 31

H x 16

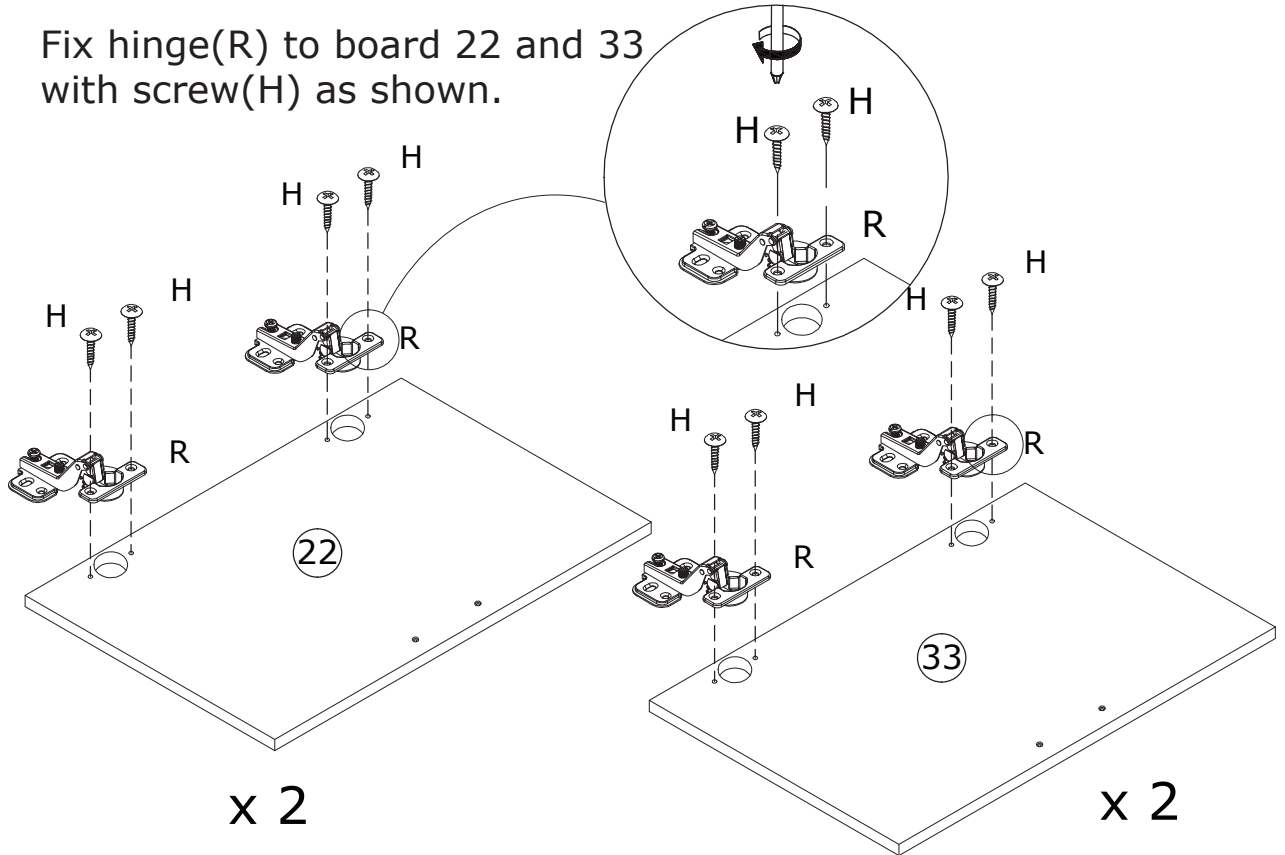


φ4 x 14mm

R x 8



Fix hinge(R) to board 22 and 33 with screw(H) as shown.



# 32

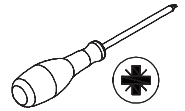
T x 4



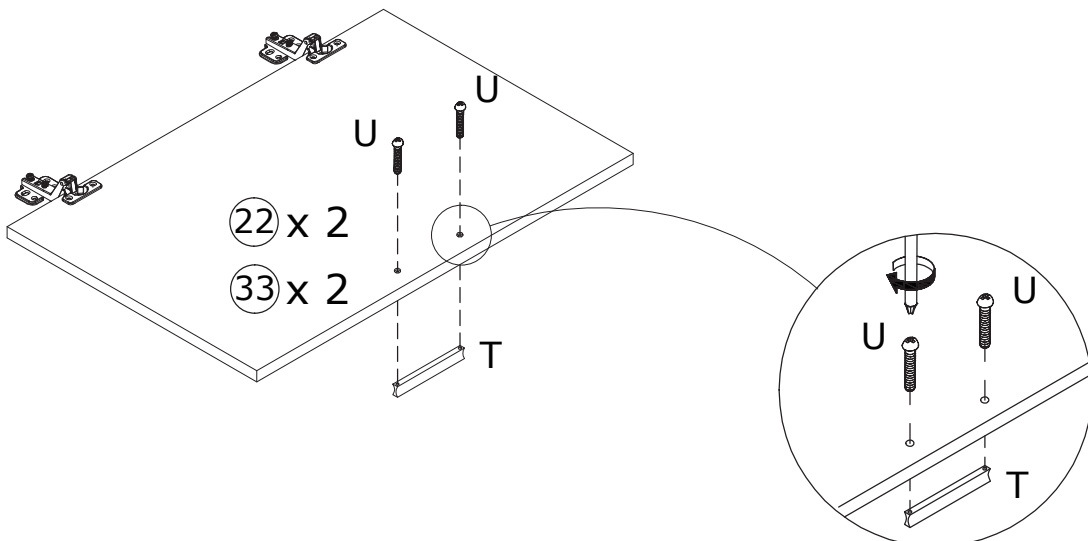
U x 8



φ4 x 16mm



Fix handle(T) to board 22 and 33 with screw(U) as shown.

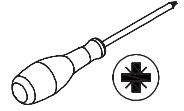


33

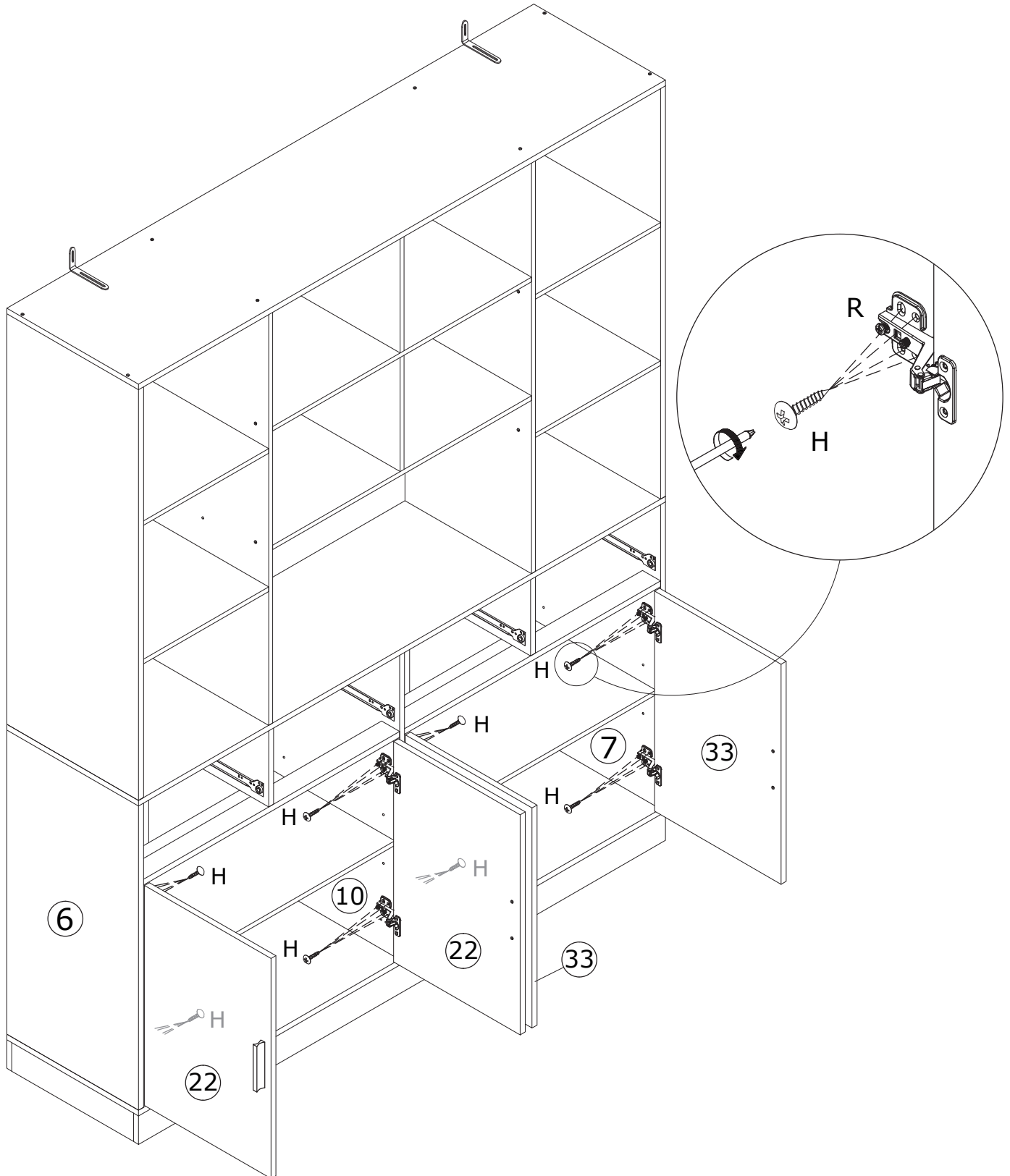
H x 32



ø4 x 14mm



Assemble door 22 and 33 to the cabinet by fixing hinge with screw(H) as shown.



# 34

E x 16

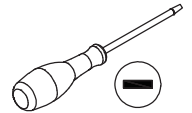
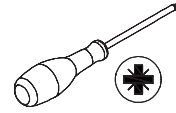


ø6 x 35mm

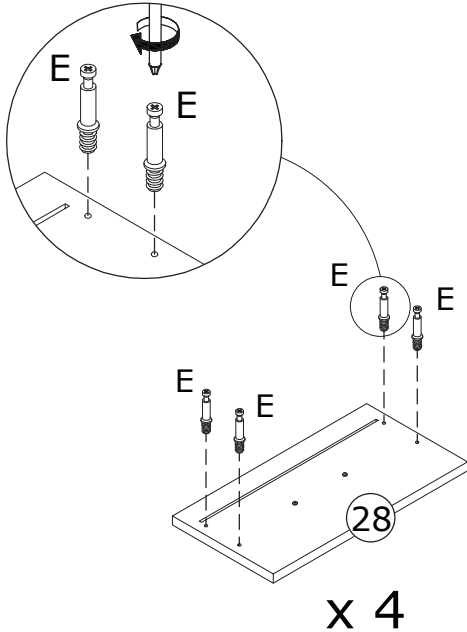
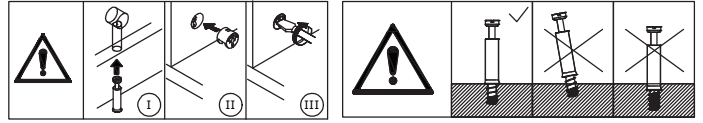
F x 16



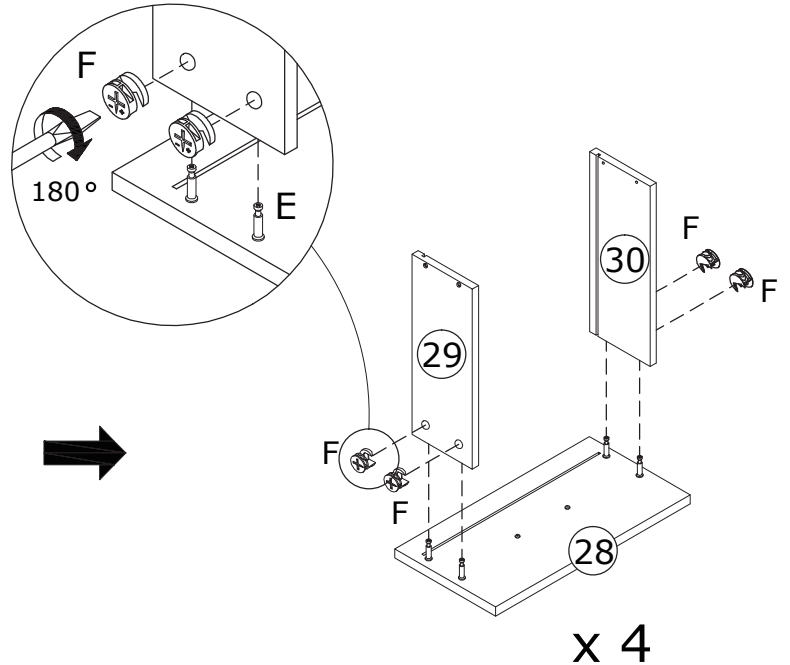
ø15 x 10mm



Screw eccentric rod(E) into board 28.  
Attach board 28 to board 29 and 30,  
add cam lock(F) into and turn  
clockwise to tighten as shown.



x 4



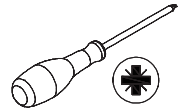
x 4

# 35

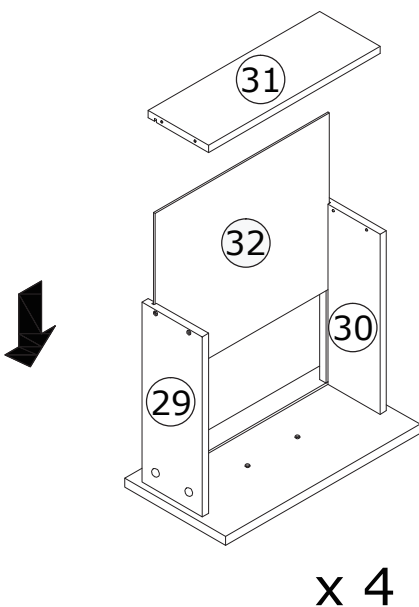
D x 16



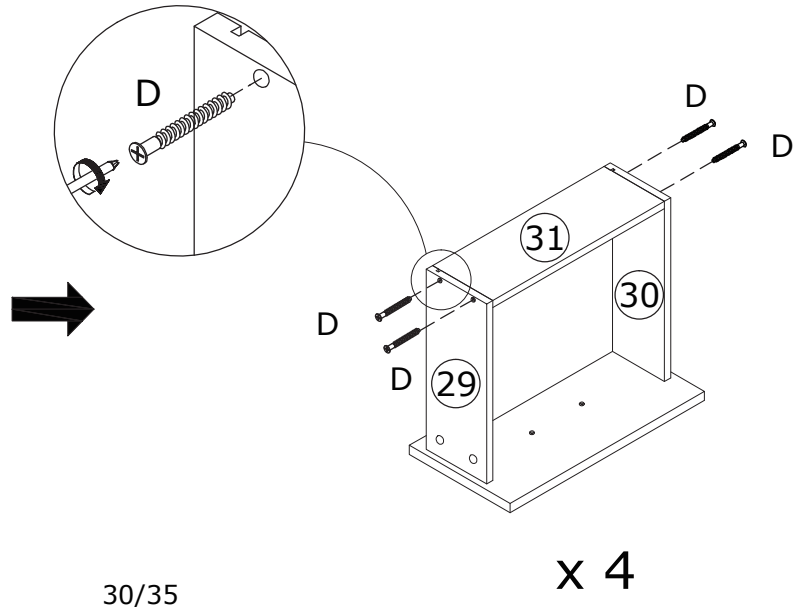
ø5 x 40mm



Insert bottom board 32 along grooves as shown.  
Fix board 31 to board 29 and 30 with screw(D)  
as shown.



x 4

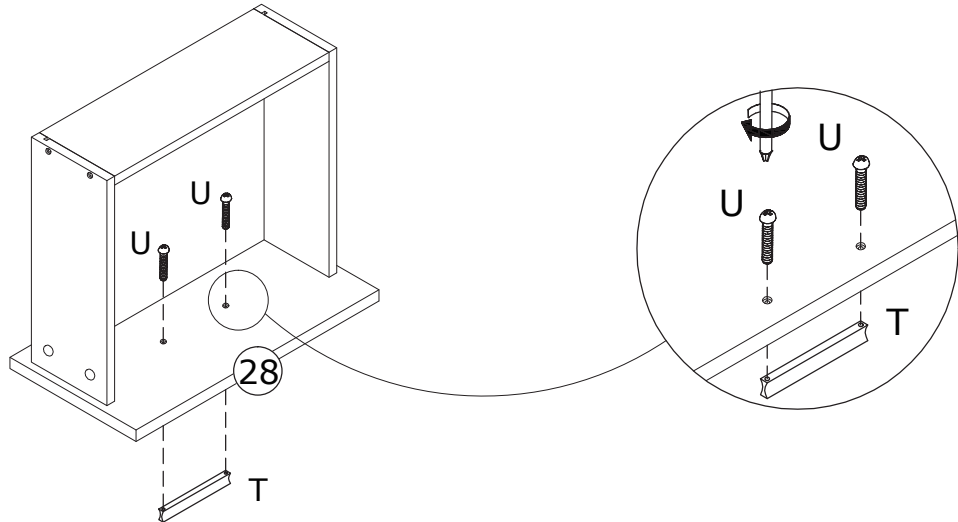


x 4

# 36

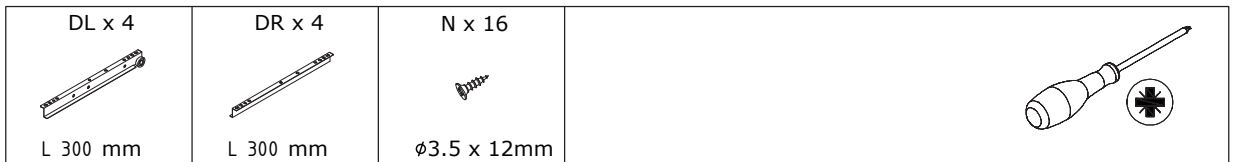


Fix handle(T) to board 28 with screw(U) as shown.

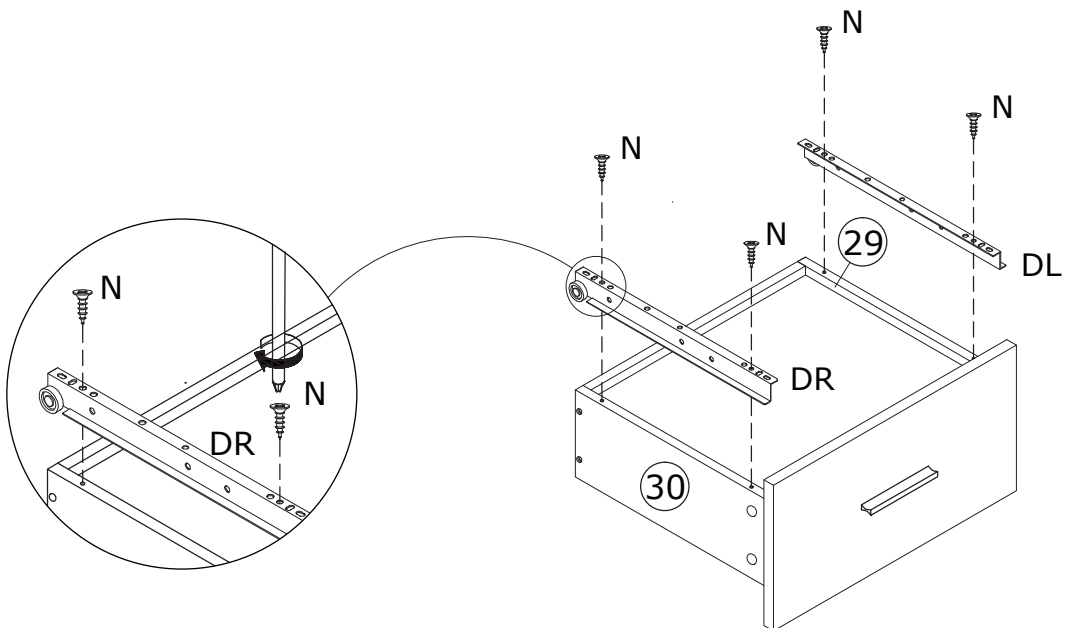


x 4

# 37



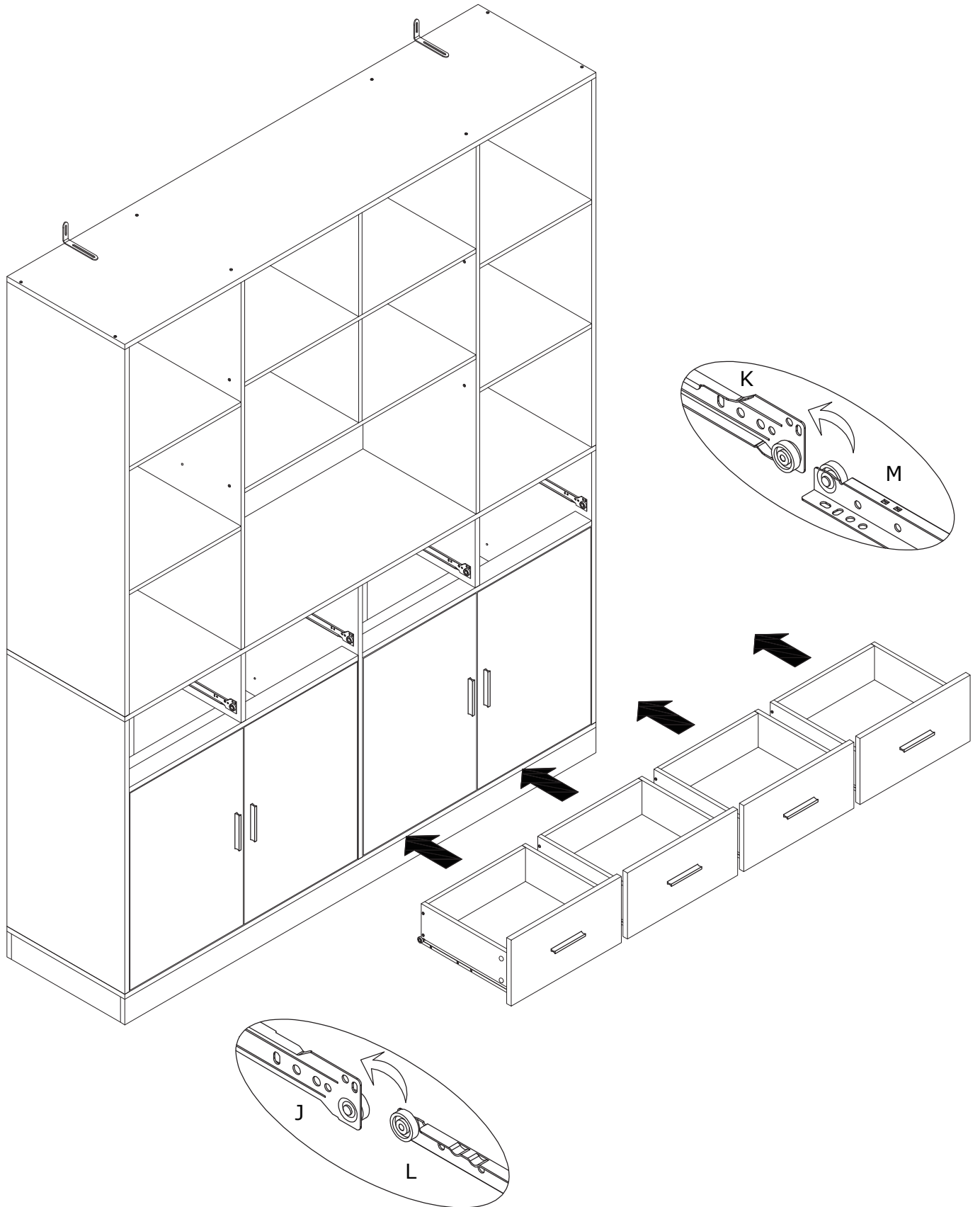
Fix runner(DL) and (DR) to board 29 and 30 with screw(N) as shown.

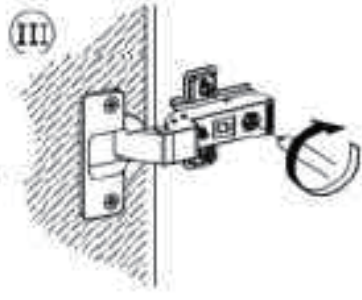
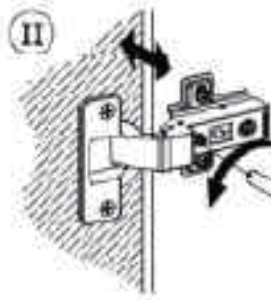
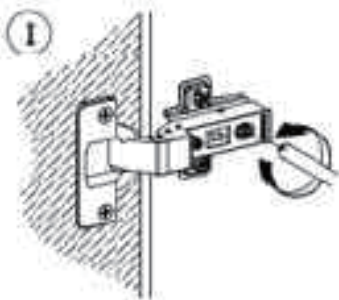
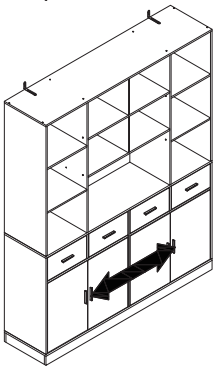
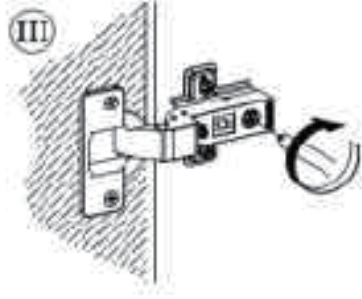
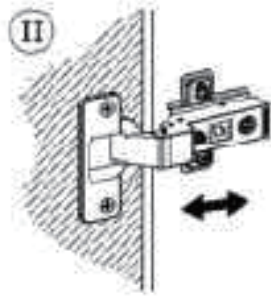
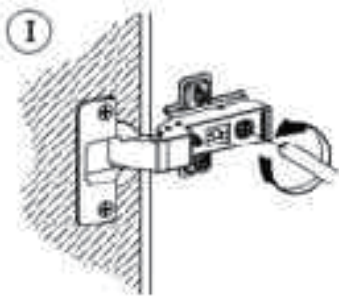
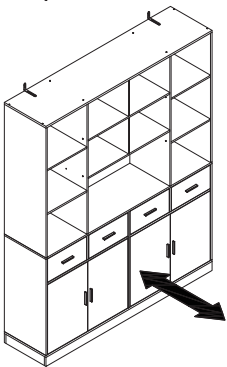
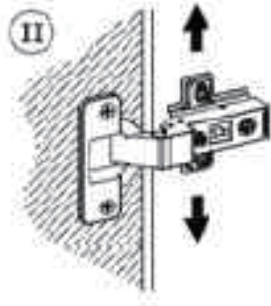
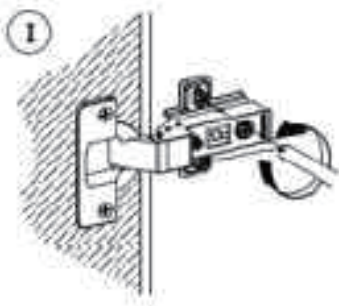
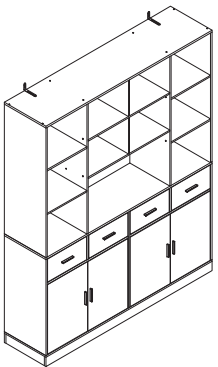
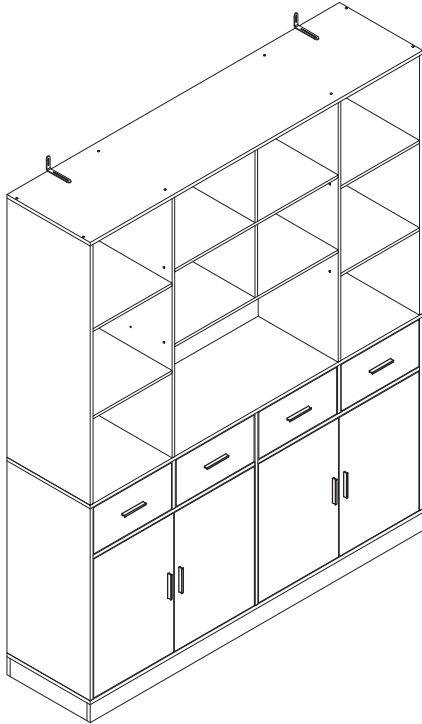
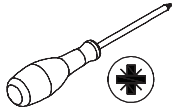


x 4

38

Align rails, insert drawers in.





# 40

W x 32



X x 32

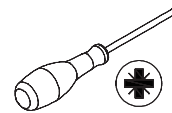


Ø3.5 x 14mm

Z x 16

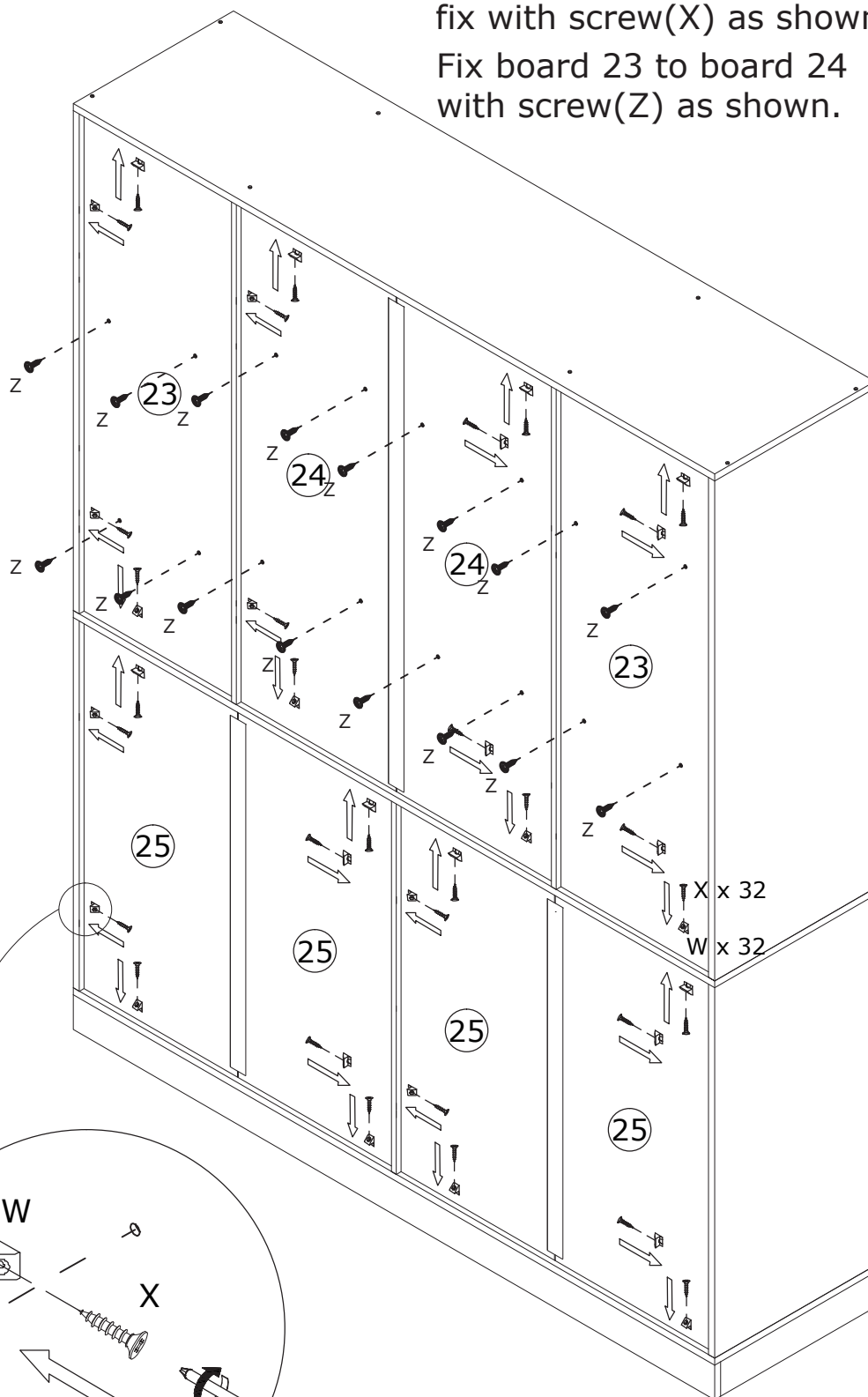


Ø3 x 12 mm

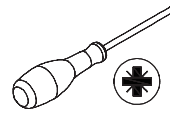
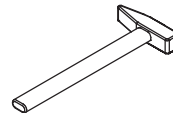
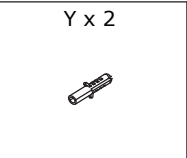
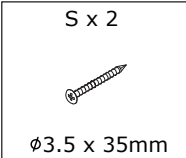


Insert buckle(W) into back slots and fix with screw(X) as shown.

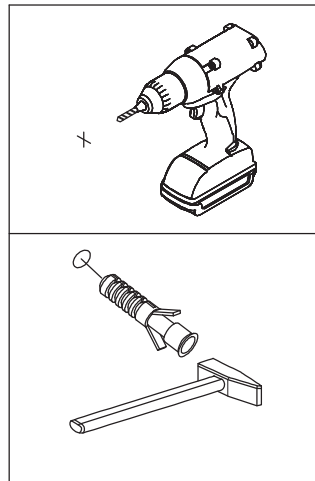
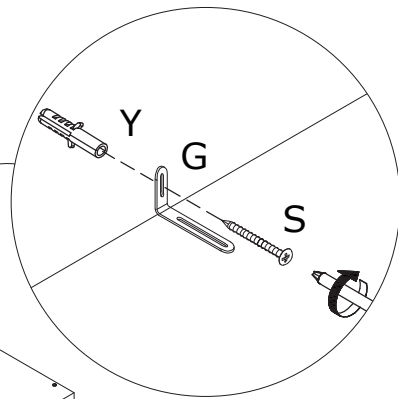
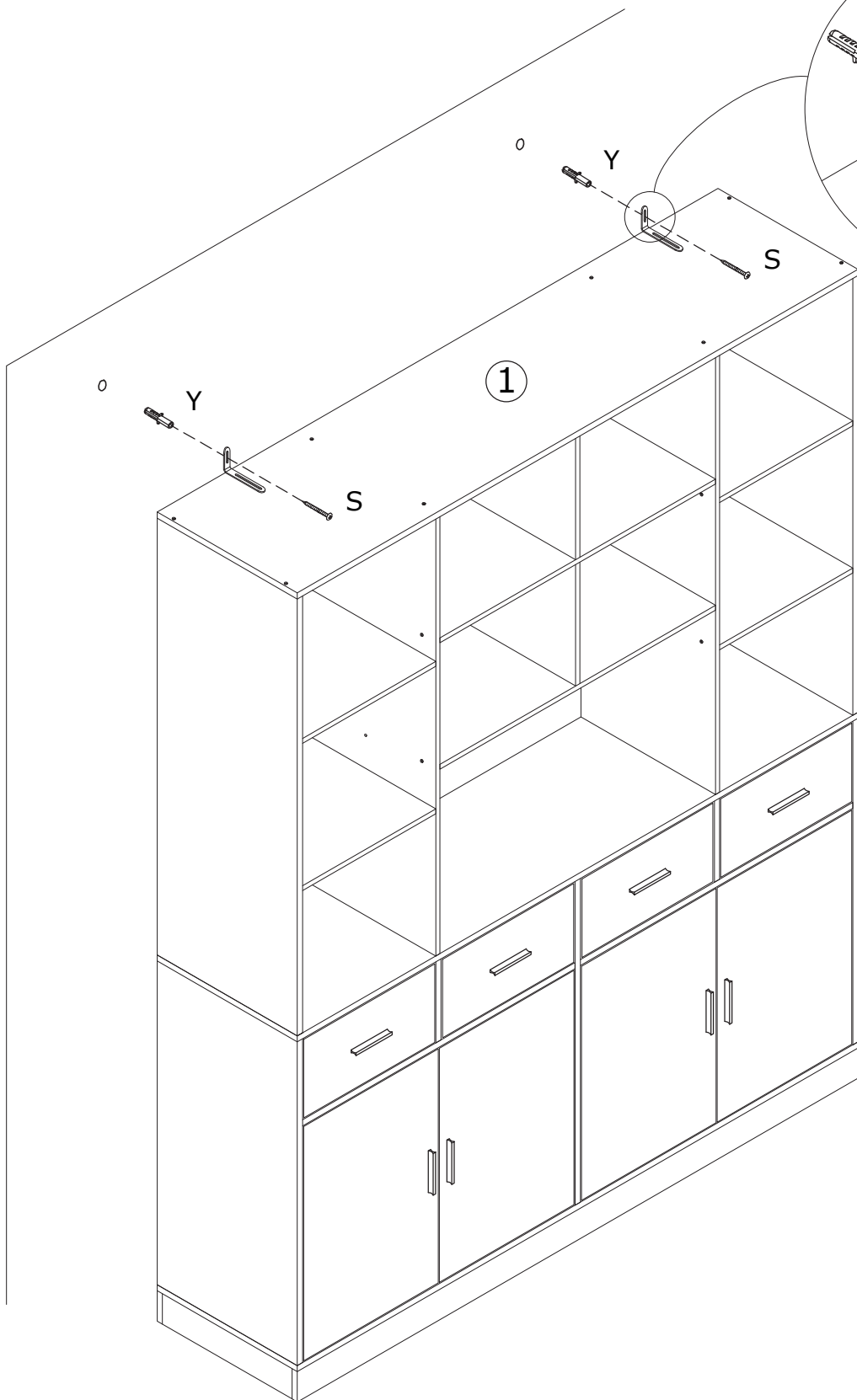
Fix board 23 to board 24 with screw(Z) as shown.



41



Install anti-tipping device as shown.



# WARRANTY

## WARRANTY CLAIMS

- There is a 30-day warranty for broken furniture or any other problems that do not work properly. The warranty will start from the date of purchase which must be verified by proof of purchase.
- Before making a claim, we may be able to answer your query, simply call us. Please leave your purchase order number, along with some details of the problem, if you want a replacement part. We will arrange within 48 hours. If there is out of stock, we will reply with a shipping date.
- The product must be used in accordance with the instructions provided. For health reasons.
- For other reasons, if the furniture needs to be returned, it must be cleaned and dried and operated within 30 days of receipt.

## Type of Warranty Claim

- Failure to follow the furniture instructions will invalidate the warranty. Attention please.
- Does not include damage during installation, but includes damage during transportation.

## Scope of responsibility

- Shall not bear any responsibility for misuse or user damage and / or loss of parts during the installation of furniture.
- After using, the damage and scratches of the furniture are not covered by the warranty.

## The Warranty Relates to All Bought in The Us and Covers The Following Areas

- Sheet parts: 1 month from the date of purchase.
- Electrical parts: 1 month from the date of purchase.