

WDP8S/ WDP8B

LG SIGNATURE

LG SIGNATURE 29" Laundry Pedestal

Elevates Appliance for Comfortable Loading and Unloading
Extra Storage Space

KEY FEATURES



PRODUCT FEATURES

DIMENSIONS

Product (WxHxD)	29" x 13 5/8" x 29 1/2" (44 3/4" with drawer open)
Carton (WxHxD)	31 9/16" x 16 1/2" x 33 27/32"
Weight (Product/Carton)	57 / 67 lbs

UPC CODE

WDP8S	195174072295
WDP8B	195174122808

WDP8S/ WDP8B

LG SIGNATURE Laundry Pedestal

QUICK INSTALL & CLEARANCES

For full installation directions/clearances please refer to the corresponding User Manual and Installation Guide.

DIMENSIONS

Product (WxHxD)	29" x 14 1/8" x 30 7/8" (52 3/4" with drawer open)
Carton (WxHxD)	31 9/16" x 16 1/2" x 33 27/32"
Weight (Product/Carton)	108 / 118 lbs

CHOOSING THE PROPER LOCATION

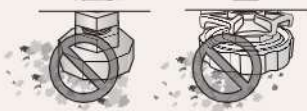
⚠ WARNING

Excessive Weight Hazard

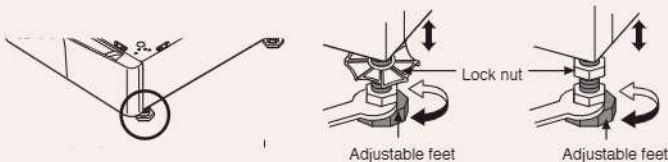
- Two or more people may be needed to install and move the appliance and pedestal assembly.
- Do not allow children to play on the drawer.
- Do not step on the handle.
- A firm, solid floor is even more critical to a front-loading washer than to a top-loader. If your floor is wooden and/or frame construction, you may need to reinforce it. Front-loaders have substantially faster spin speed than top-loaders, causing greater vibration. If the floor is not solid, your washer will vibrate.

WASHER/COMBO INSTALLATION

- 1 Remove pedestal, installation hardware, and instructions from the shipping carton.
- 2 Before installing the pedestal, remove foreign objects on the floor clean the floor. Dust, water, oil, detergent and so on could cause vibration due to bad contact of legs with floor.

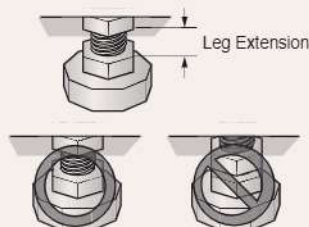


- 3 Level the pedestal on the clean place by adjusting the feet.



NOTE

- Do not extend the legs no more than necessary to level the washer. The more the legs are extended, the more the washer will vibrate.
- After the washer is leveled, tighten the lock nuts up toward the base of the washer using the wrench. All four lock nuts should be tightened.

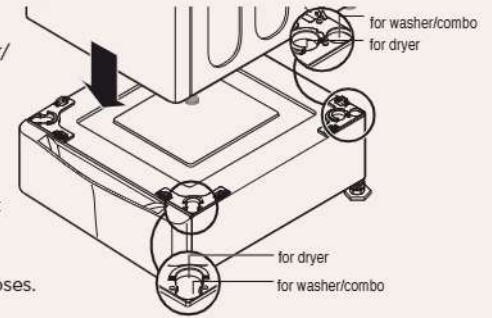


WASHER/COMBO INSTALLATION

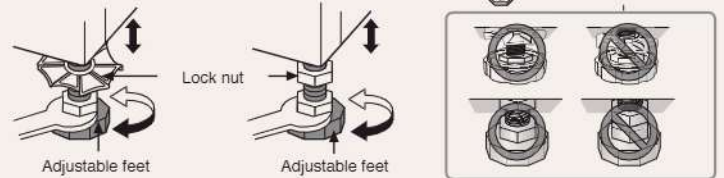
- 4 Position the washer/combo on top of the pedestal.

NOTE

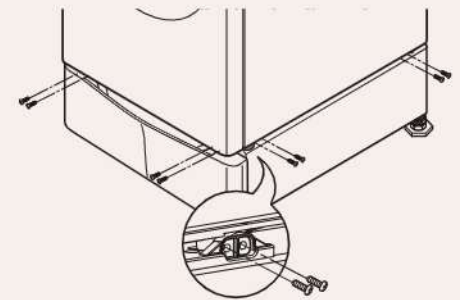
- Because of the weight of the washer/ combo, two or more people may be needed.
- If the washer or combo was previously installed, unplug it, disconnect the inlet hose (s) from the faucet (s), disconnect the drain hose, and drain all hoses.



- 5 Level the washer/ combo on the pedestal by adjusting the feet.



- 6 Make sure the holes on the pedestal align with the holes in the appliance, then install 4 screws at each corner to securely attach the appliance to the pedestal.



- 7 Move the washer/ combo to the desired place.

NOTE

- The appliance and pedestal assembly must be placed on a solid and level floor for proper operation. Adjust the legs of the appliance and pedestal by turning with a wrench. Then, adjust the lock nut toward the pedestal while holding the pedestal leg using a wrench.
- **DIAGONAL CHECK** When pushing down the edges of the washing machine top plate diagonally, the machine should not move up and down at all. (Please check both directions.) If the machine rocks when pushing the machine top plate diagonally, adjust the feet again.
- To make sure that the washer is properly level, run the washer with a test load: place approximately 6 pounds of laundry in the machine. Then press POWER, press RINSE+SPIN, and then press the START/PAUSE button. Verify that the washer does not rock or vibrate excessively during the spin cycle. If the washer vibrates or shakes, adjust the leveling feet until the washer is stable and retest.
- Please see Owners Manual for DRYER INSTALLATION

