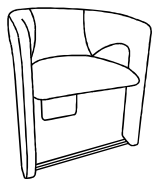


ASSEMBLY INSTRUCTION

Ax1

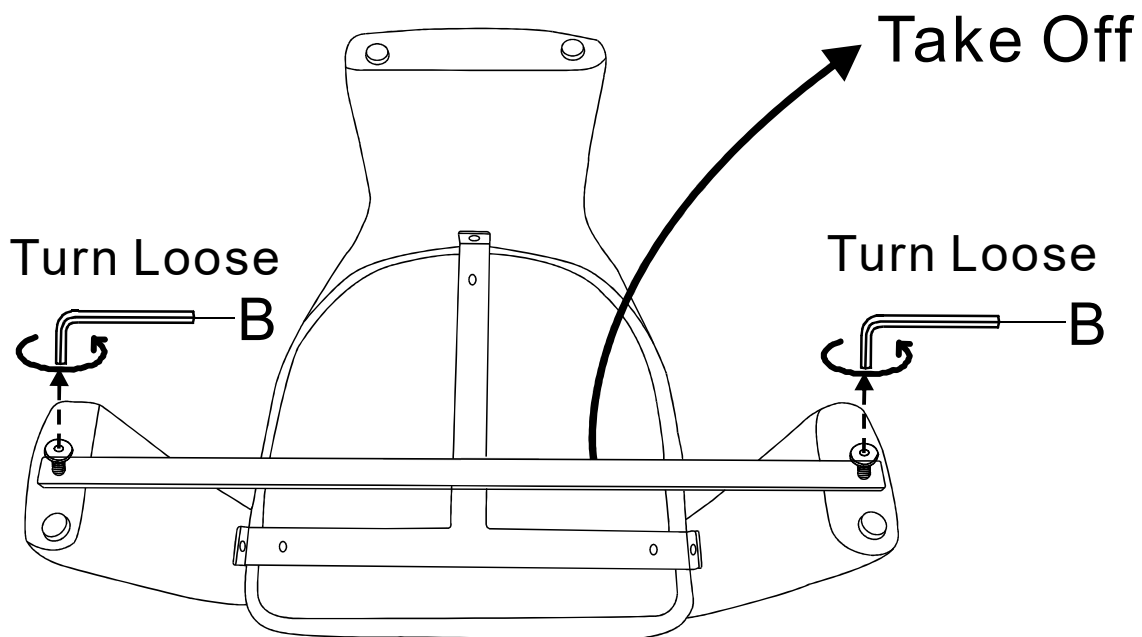


Bx1



M6

1



2

