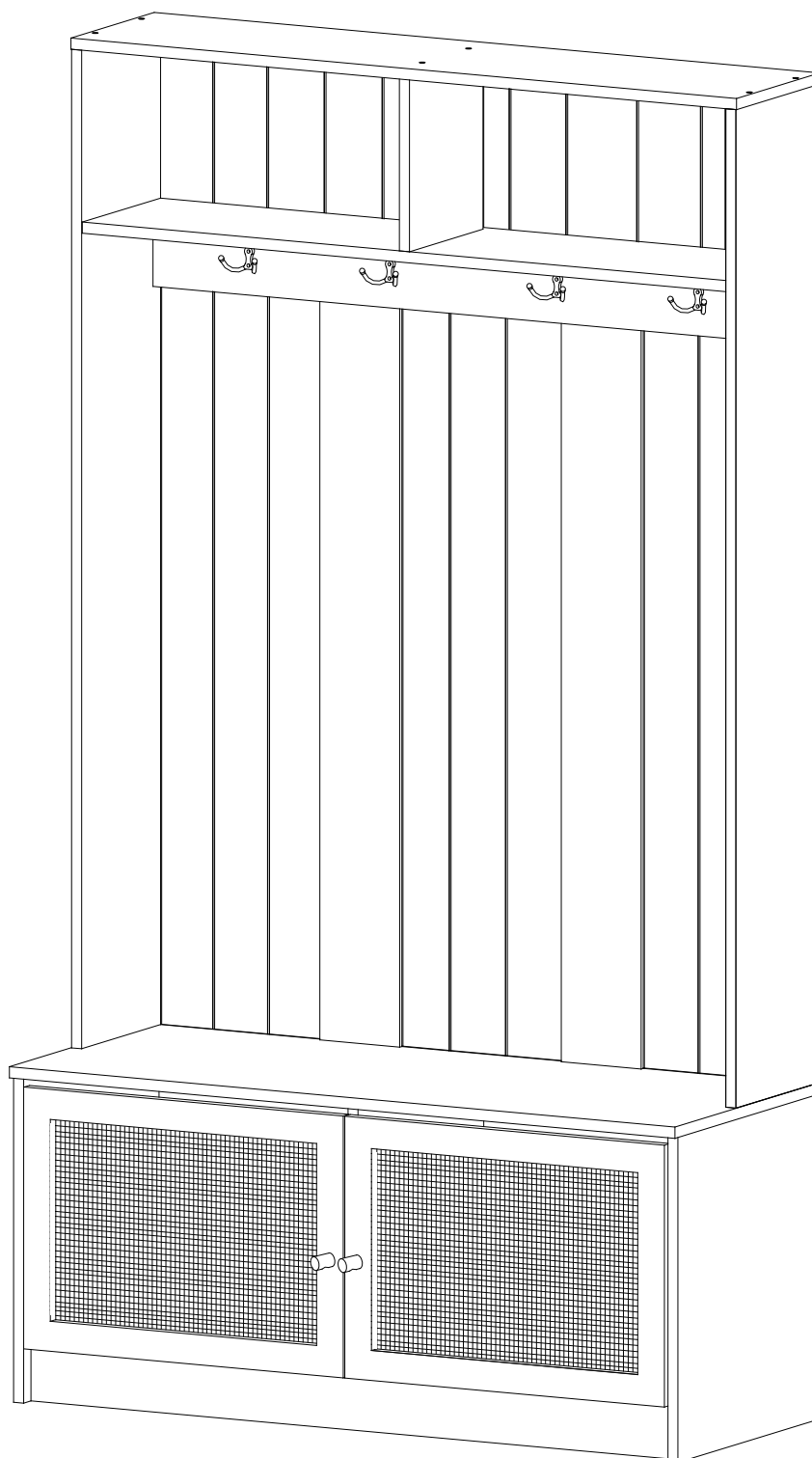


Installation Instruction



Product name

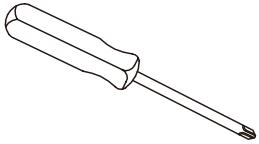
Hall Tree

Ver.1.0 20240521

Assembling

What you need

- Use the packaging carton as a working surface to prevent product damage during assembly
- Phillips head screwdriver



Weight Limitation



20
lbs table top



20
lbs upper small shelf

150

lbs lower big shelf



10
lbs metal hook



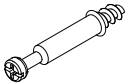
2 PERSONS

What 's included

Code	Description	Qty
A	Cam Bolt M6X35MM	36
B	Cam Lock 15X10MM	36
C	Wooden Dowel M6X30MM	32
D	Screw M4X35MM	16
E	Screw M4X14MM	2
F	Metal Hook	4
G	Screw M3X16MM	8
H	Hinge	4
I	Screw M4X14MM	24
J	Screw M3X16MM	30
K	Plastic Corner Support	30
L	Handle	2
M	Bolt M4X20MM	2
N	Metal Plate	2
O	Anchor M6X30MM	2
P	Screw M4X25MM	4

The Hardwares

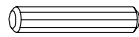
A



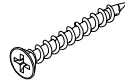
B



C



D



E



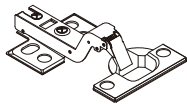
F



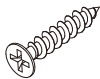
G



H



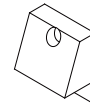
I



J



K



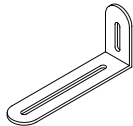
L



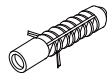
M



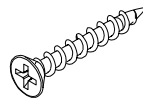
N



O



P



IMPORTANT :

1. Do not tighten bolts / screws completely until all bolts / screws are lined up and inserted into holes.
2. Do not over tighten screws and bolts to avoid stripping.
3. Please use hand tools to assemble this product. Do not use power tools.
4. Must need 2 people to assemble this product.

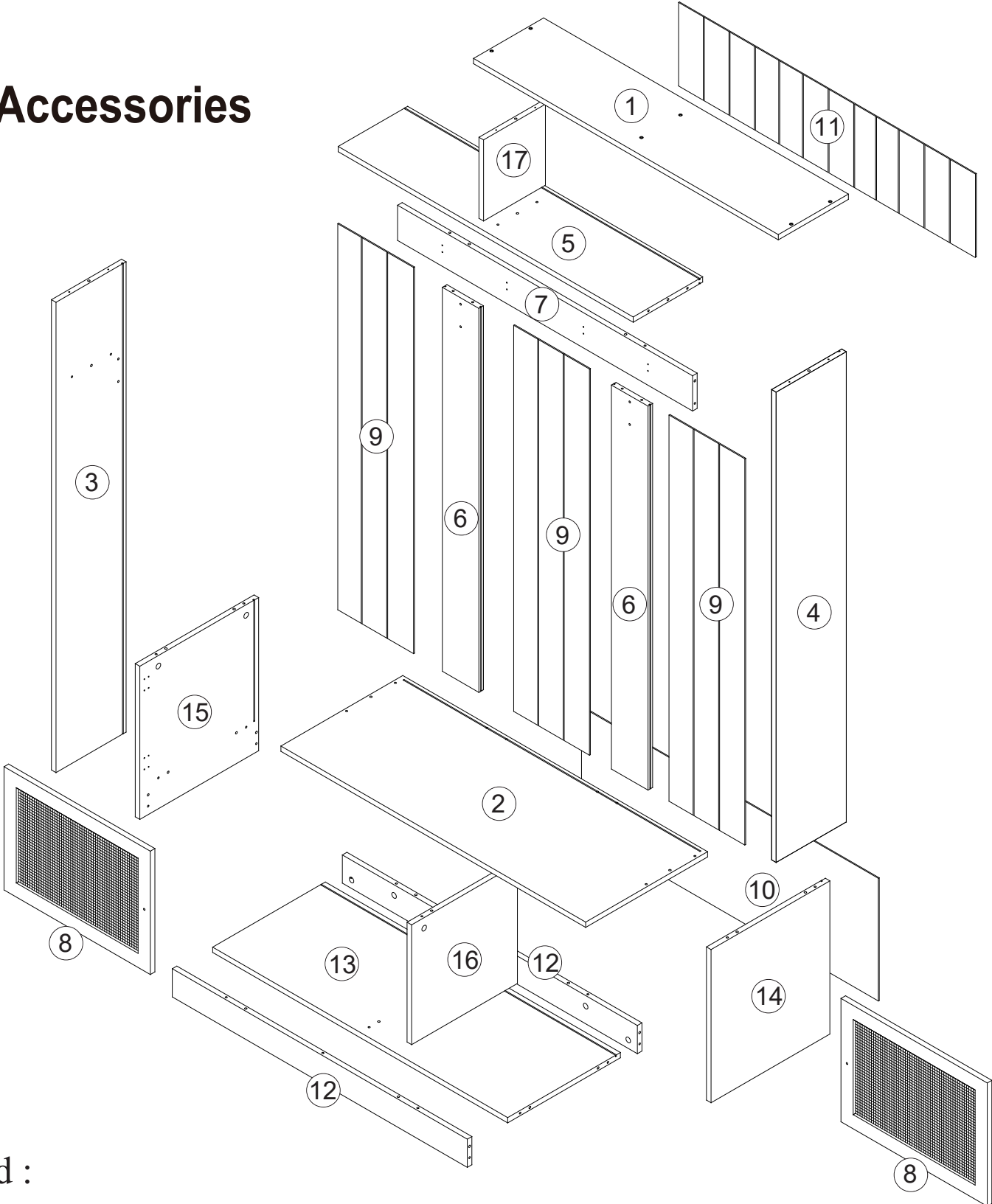


2 PERSONS

Included Accessories

Code	Description	Qty
1	Cabinet Top	1
2	Lower Big Shelf	1
3	Upper Left Side Panel	1
4	Upper Right Side Panel	1
5	Upper Small Shelf	1
6	Vertical Back Stretcher	2
7	Horizontal Back Stretcher	1
8	Door	2
9	Middle Back Panel	3
10	Lower Back Panel	1
11	Upper Back Panel	1
12	Bottom Support Panel	2
13	Bottom Panel	1
14	Lower Right Side Panel	1
15	Lower Left Side Panel	1
16	Lower Middle Division Panel	1
17	Upper Middle Division Panel	1

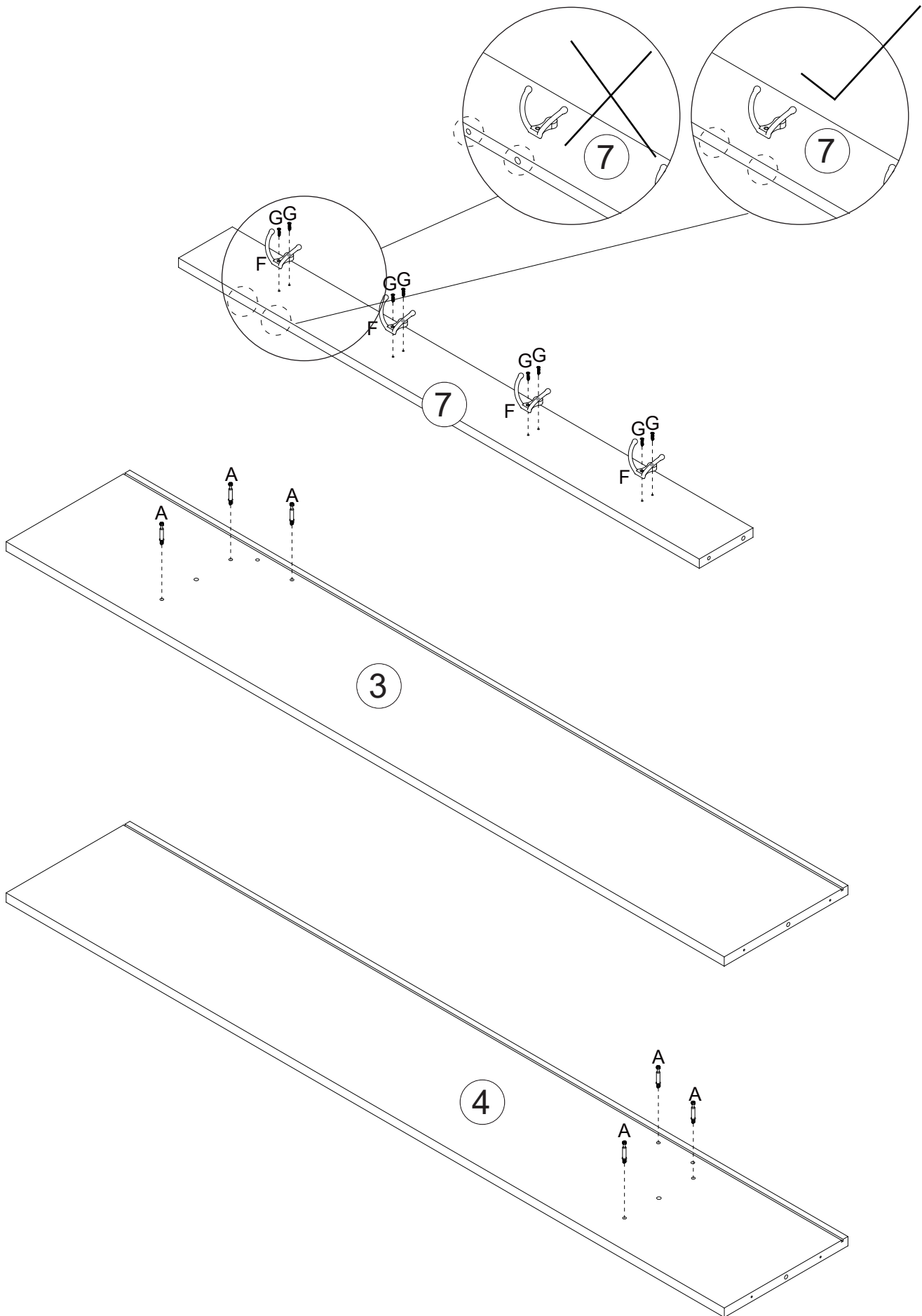
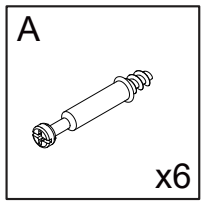
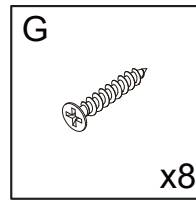
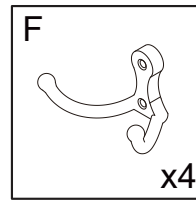
The Accessories



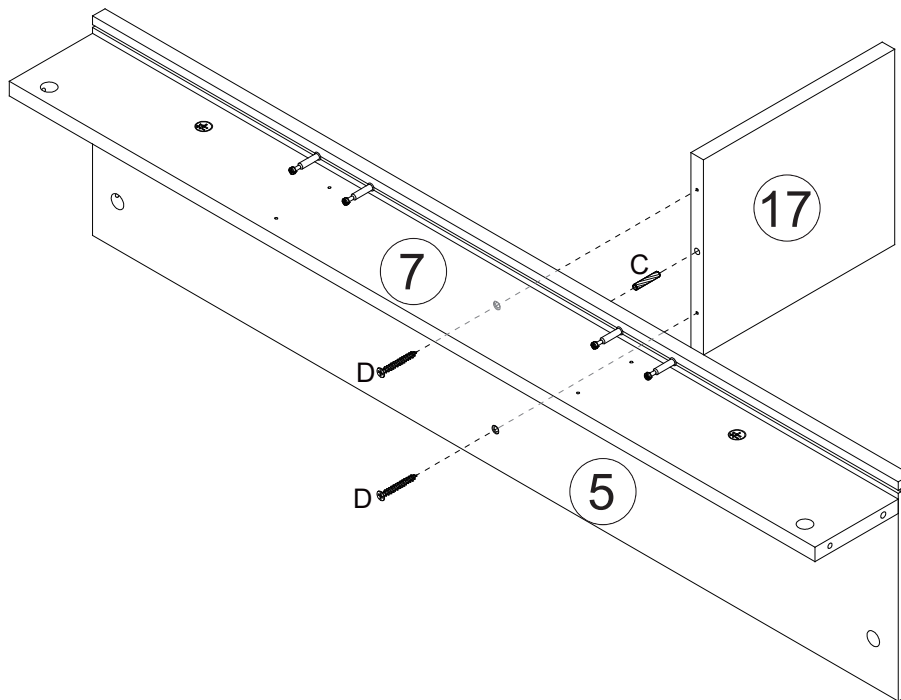
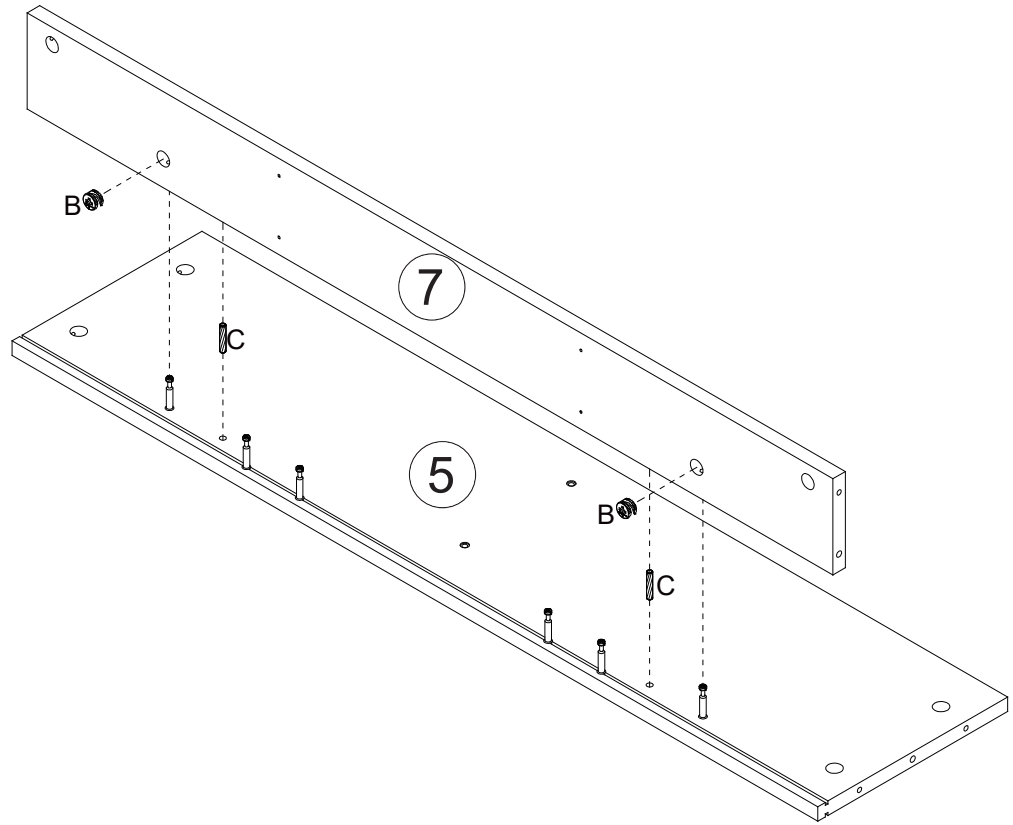
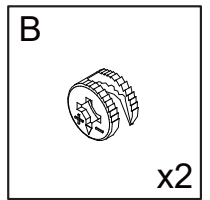
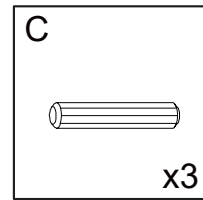
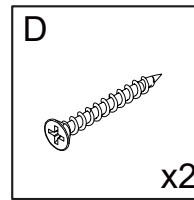
Noted :

<p>I</p> <p>not included</p>	<p>II</p>
<p>III</p>	<p>IV</p>

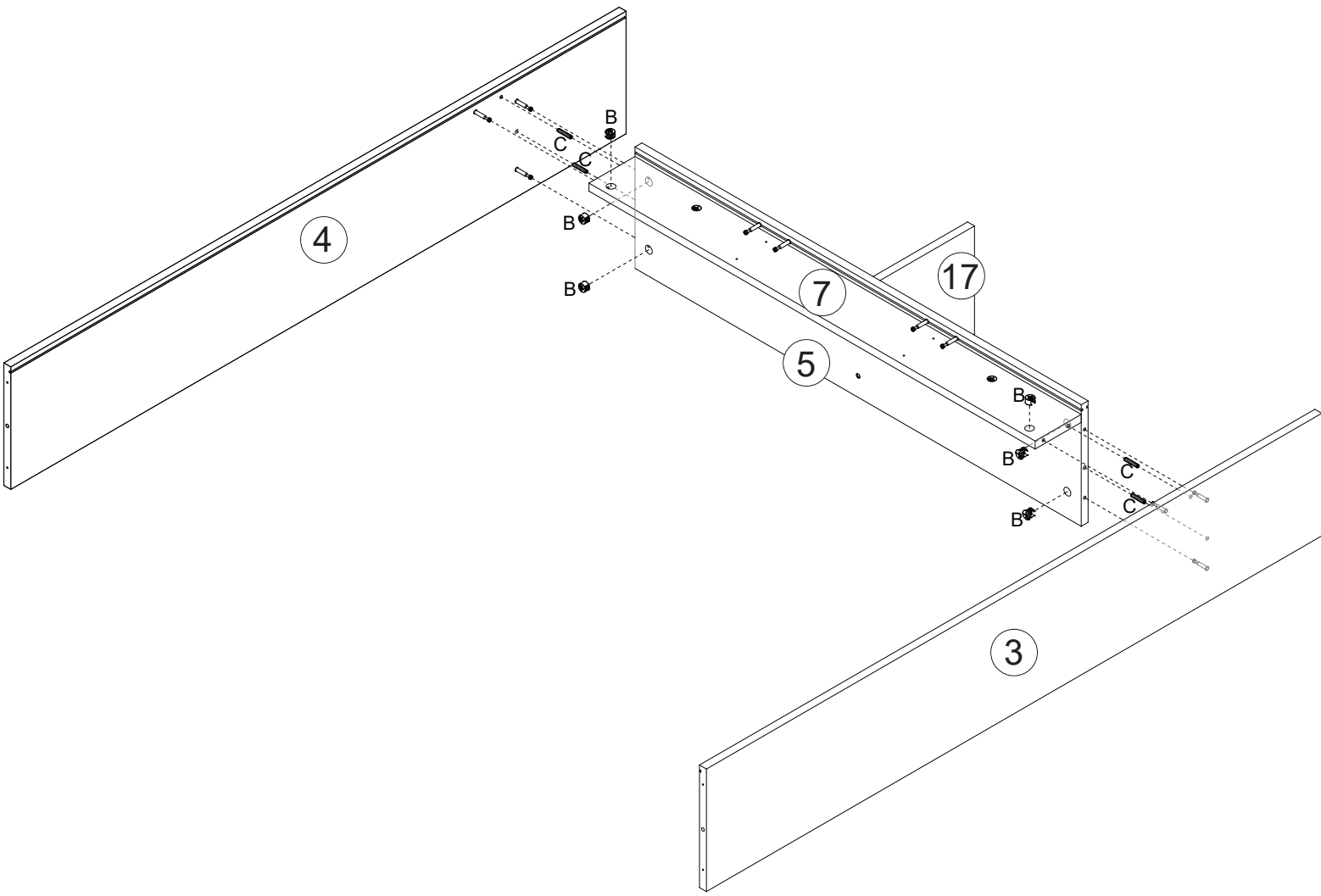
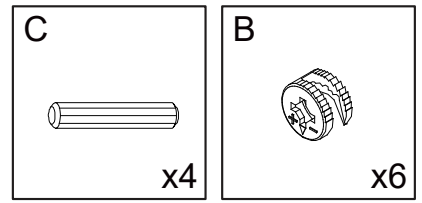
STEP 2



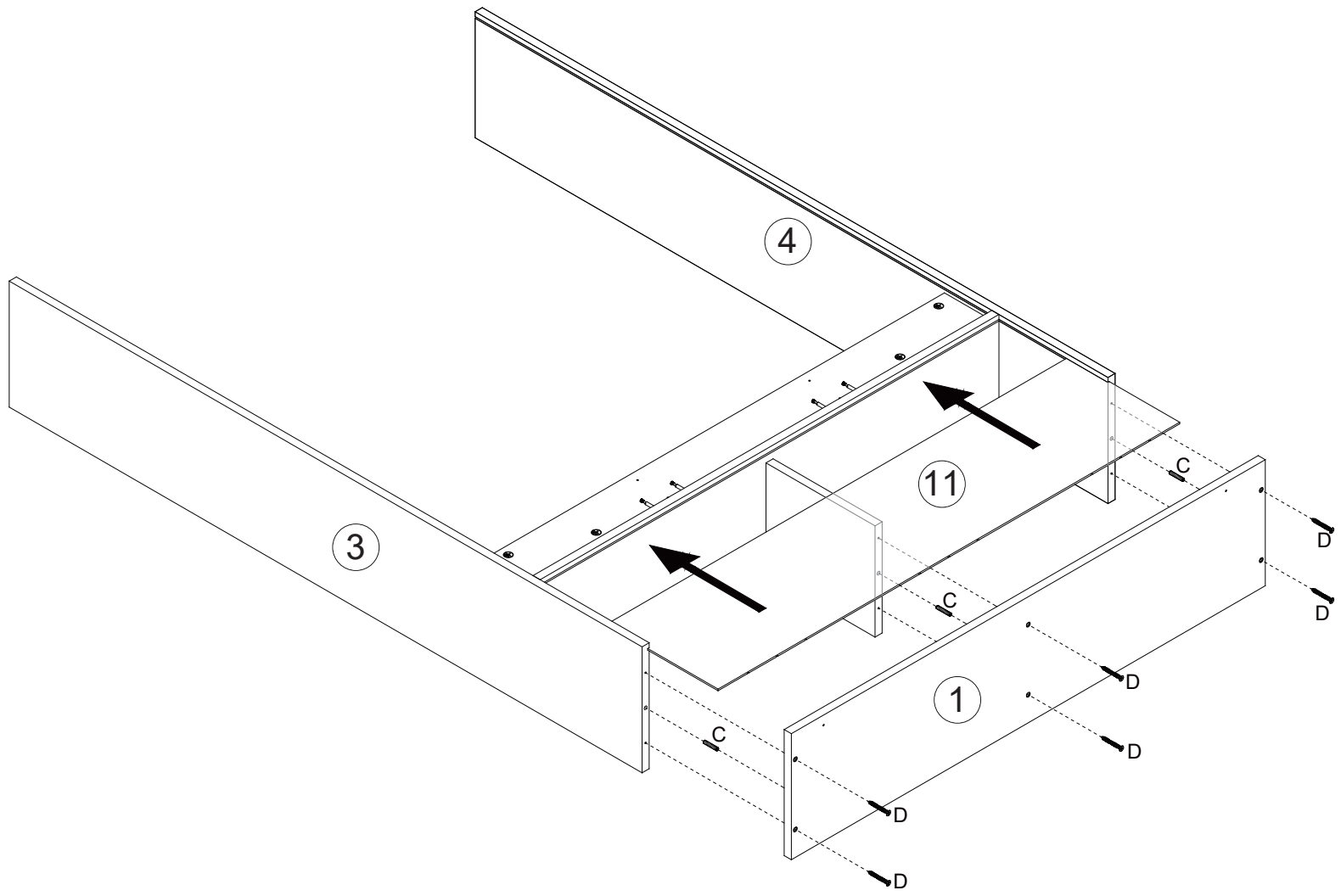
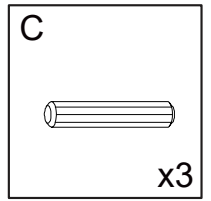
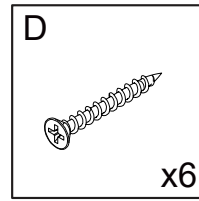
STEP 3



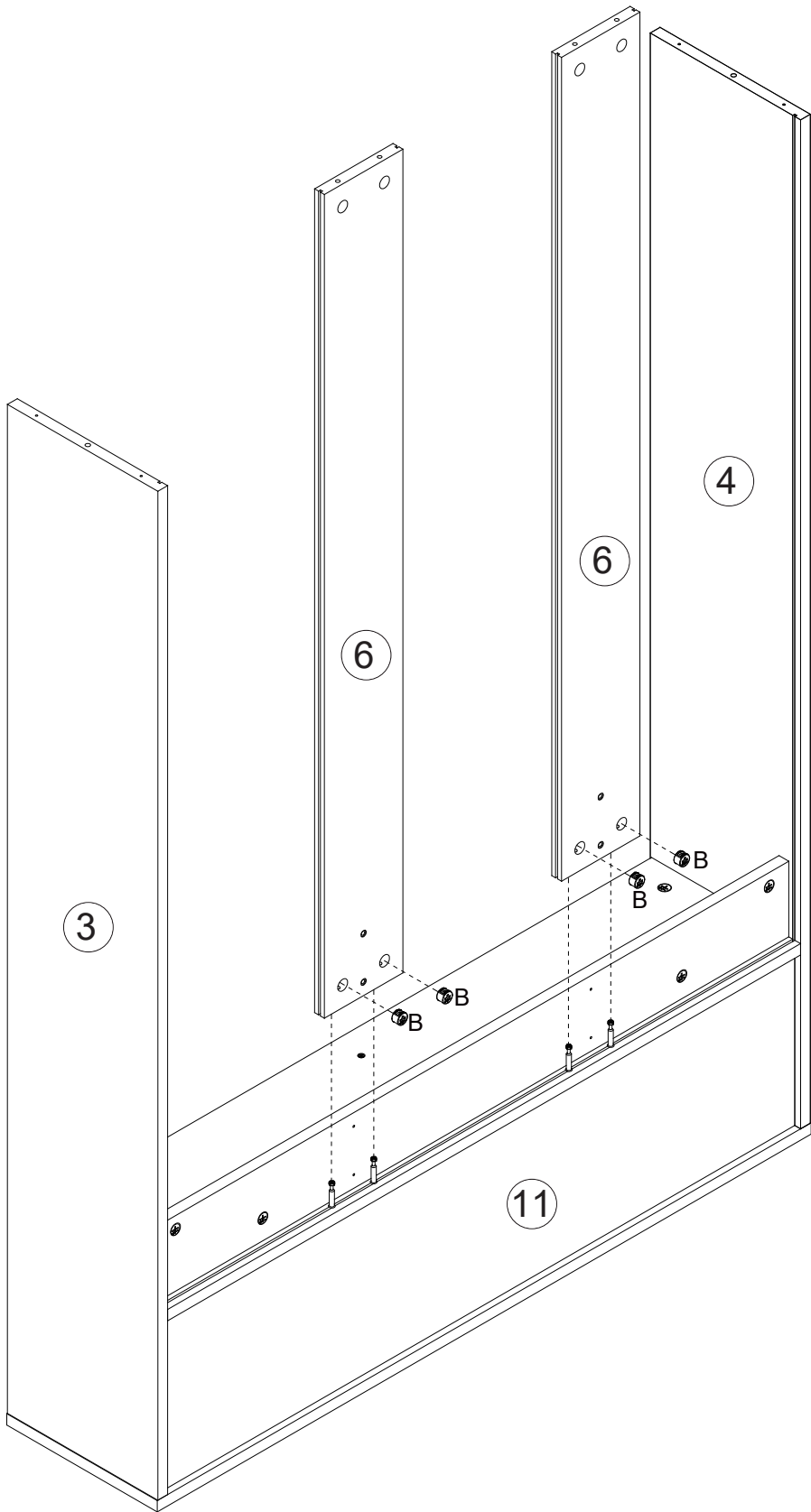
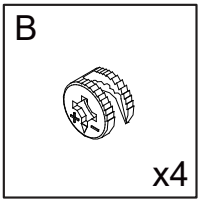
STEP 4



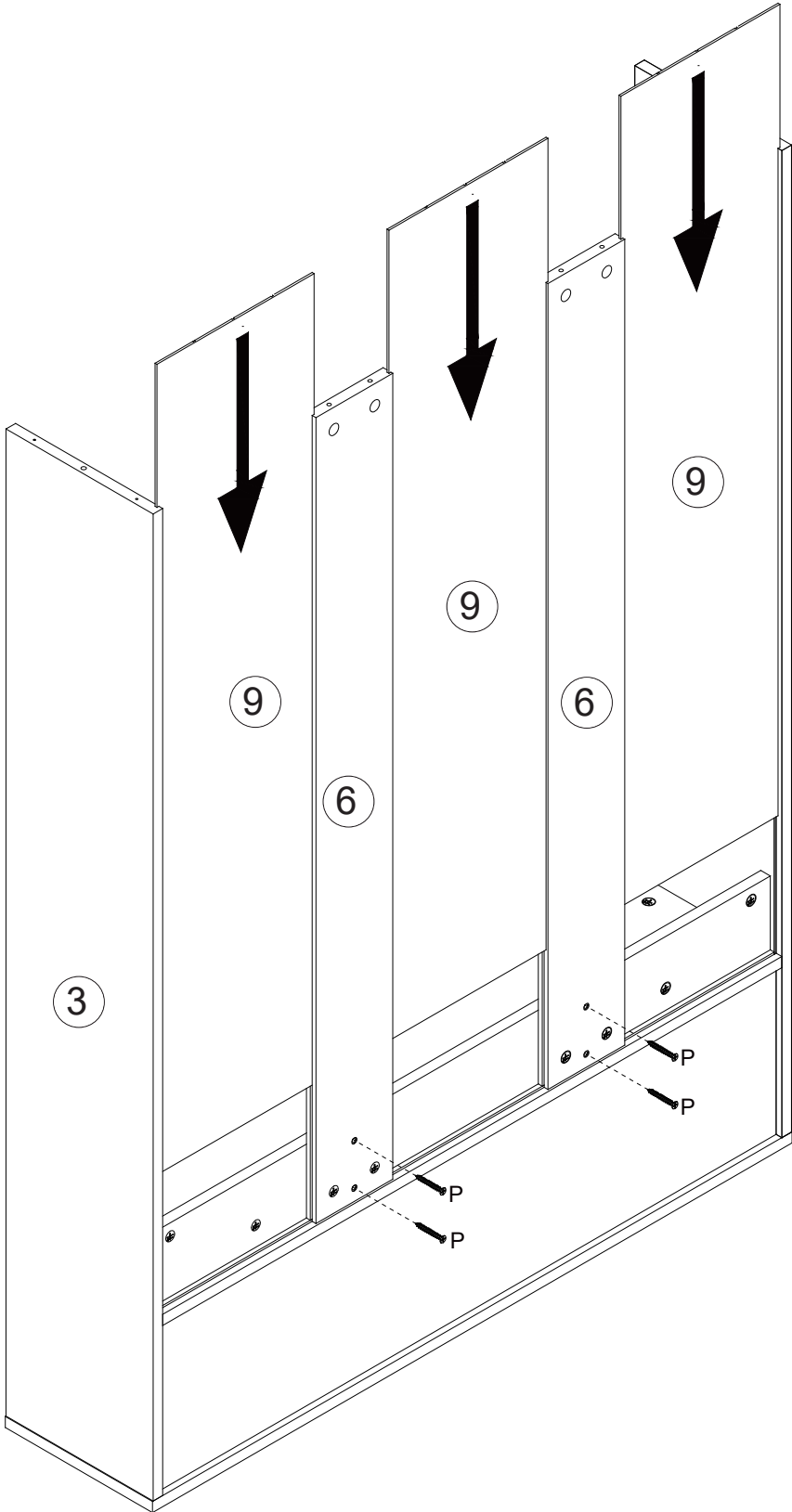
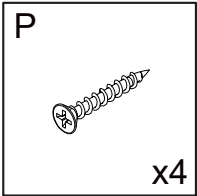
STEP 5



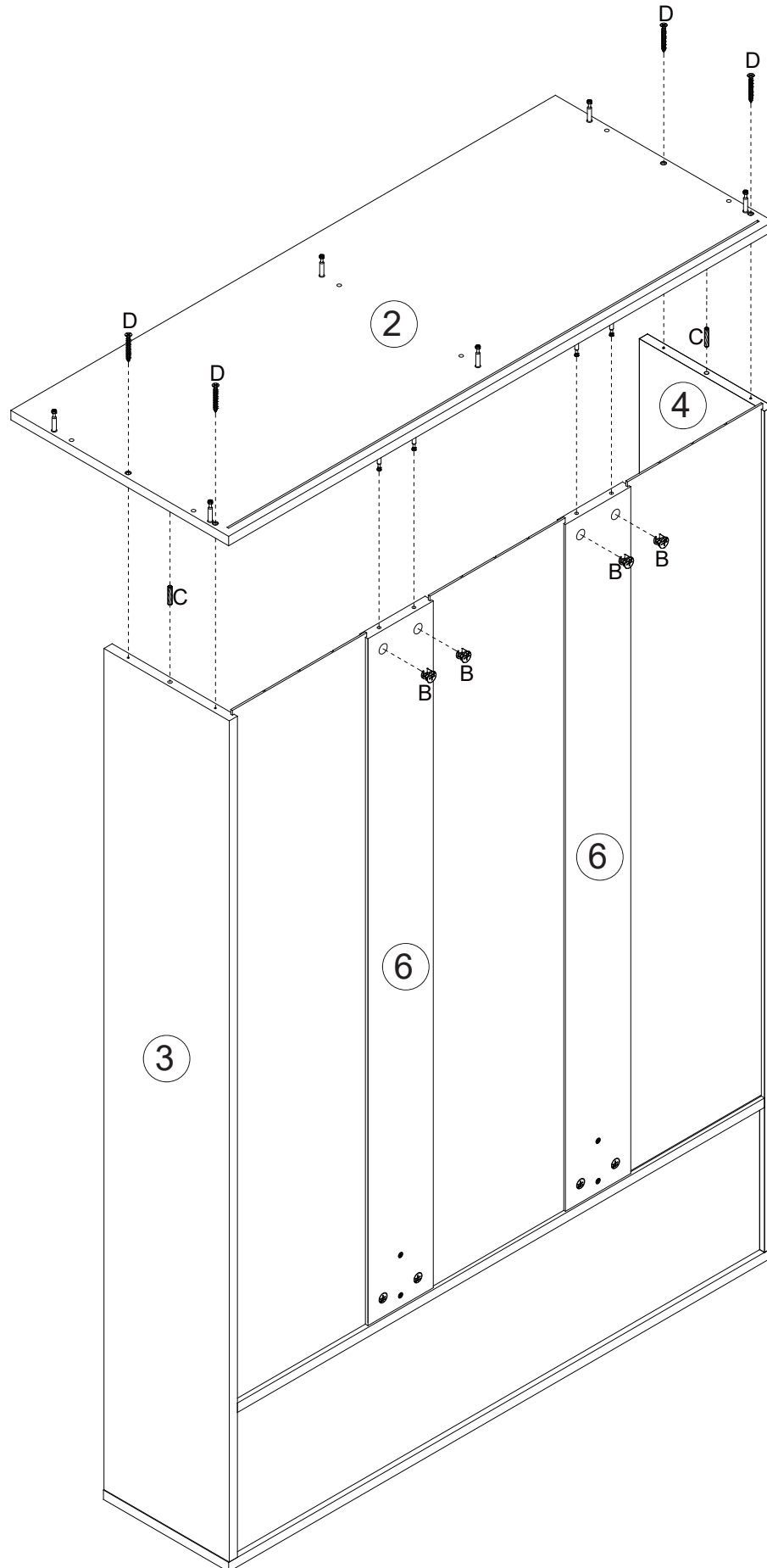
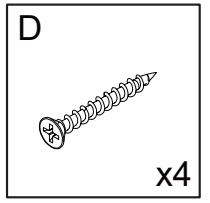
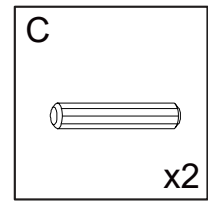
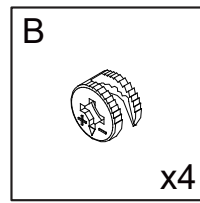
STEP 6



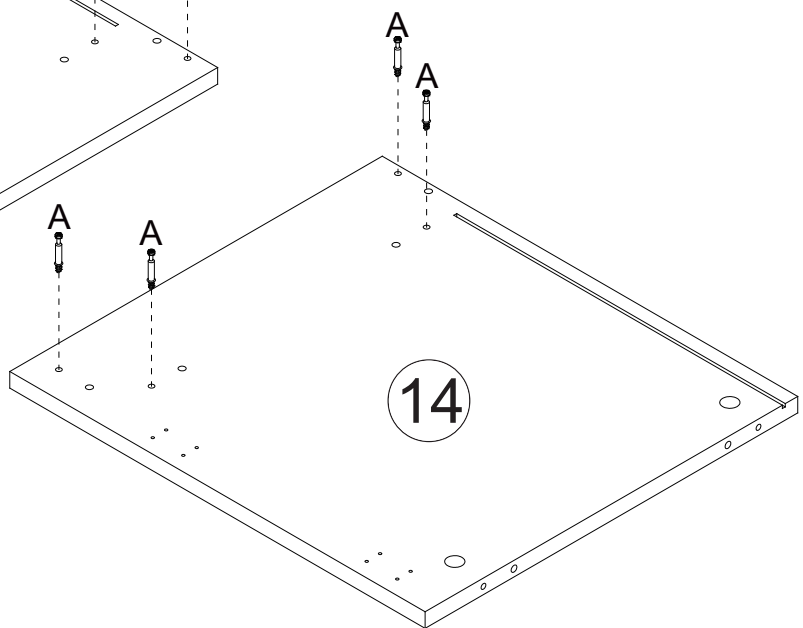
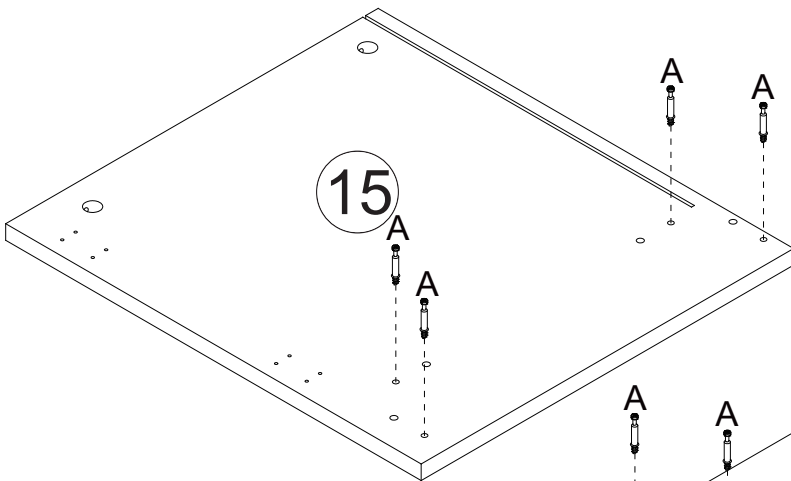
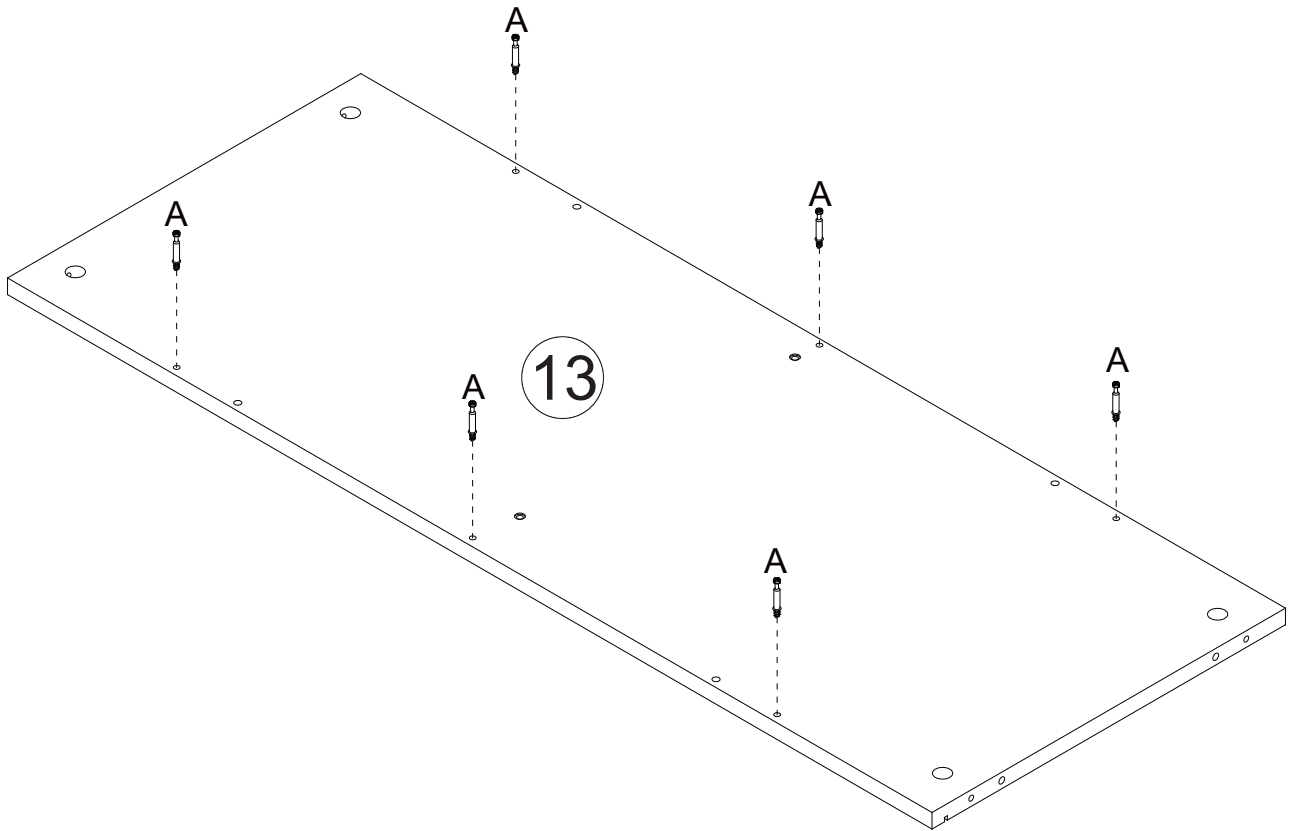
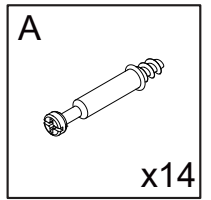
STEP 7



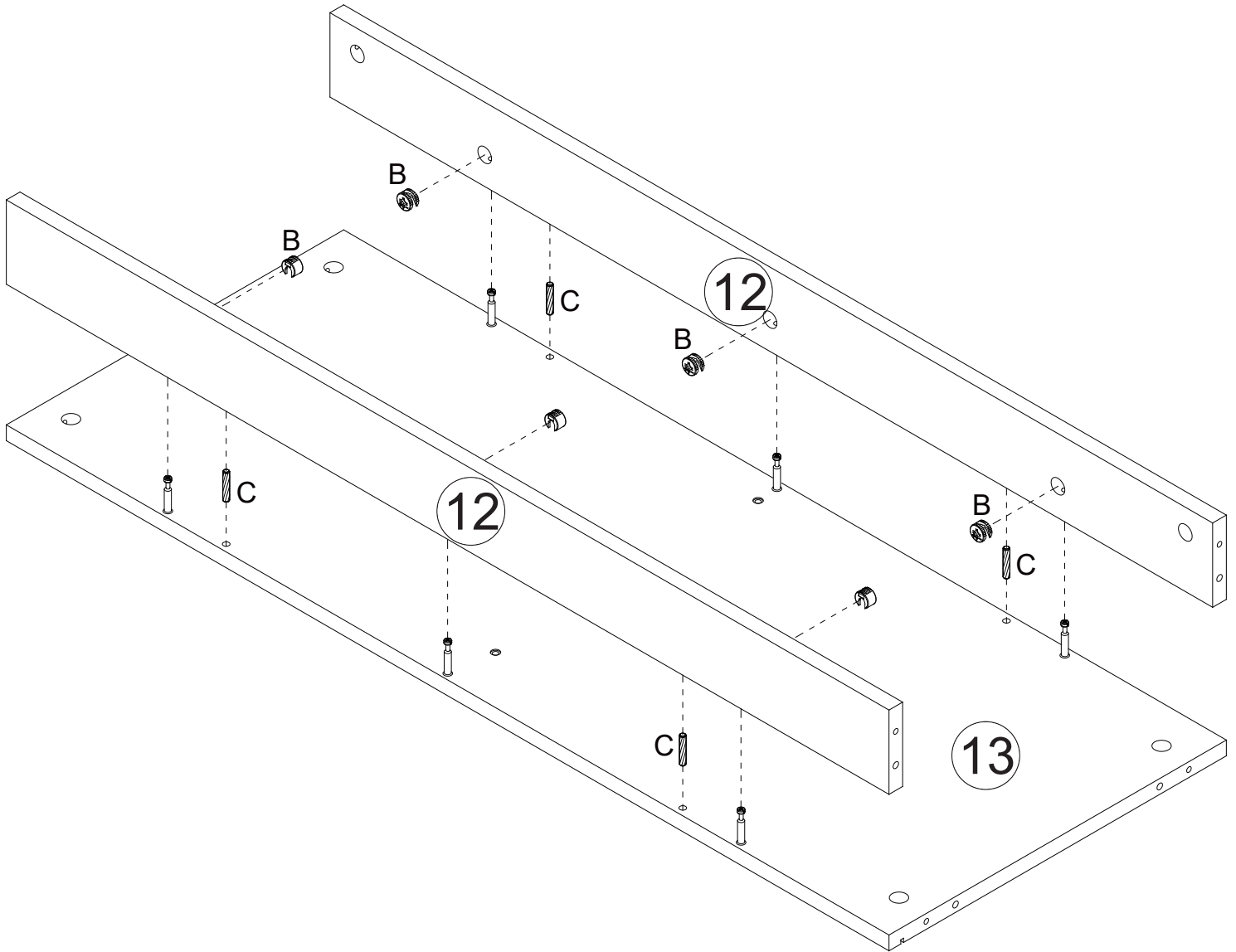
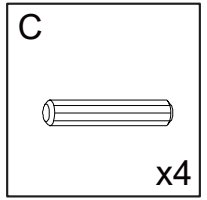
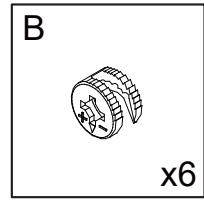
STEP 8



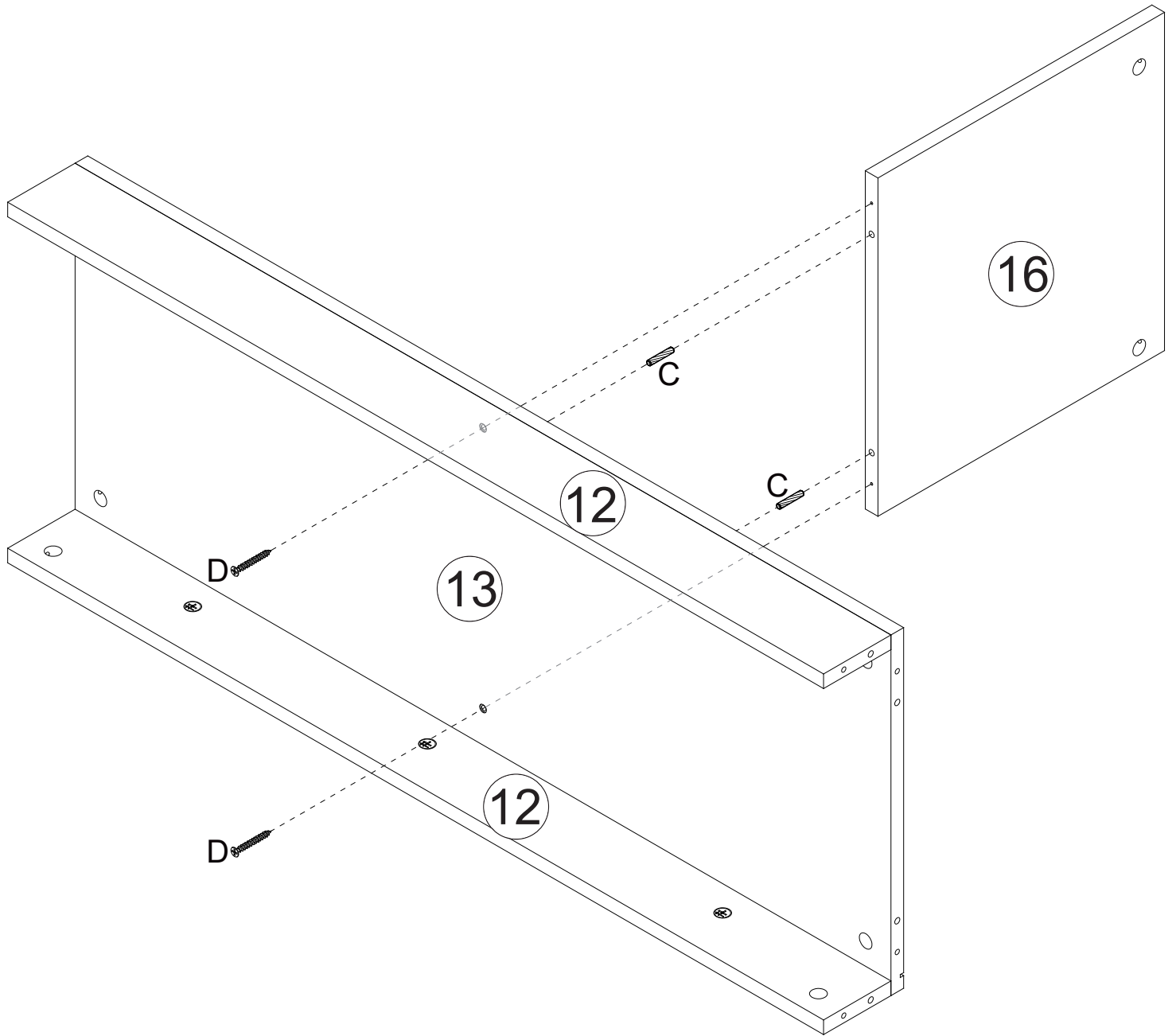
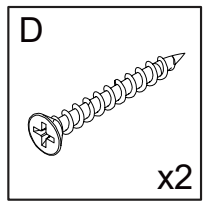
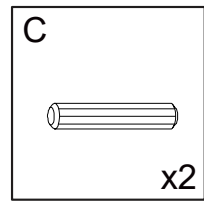
STEP 9



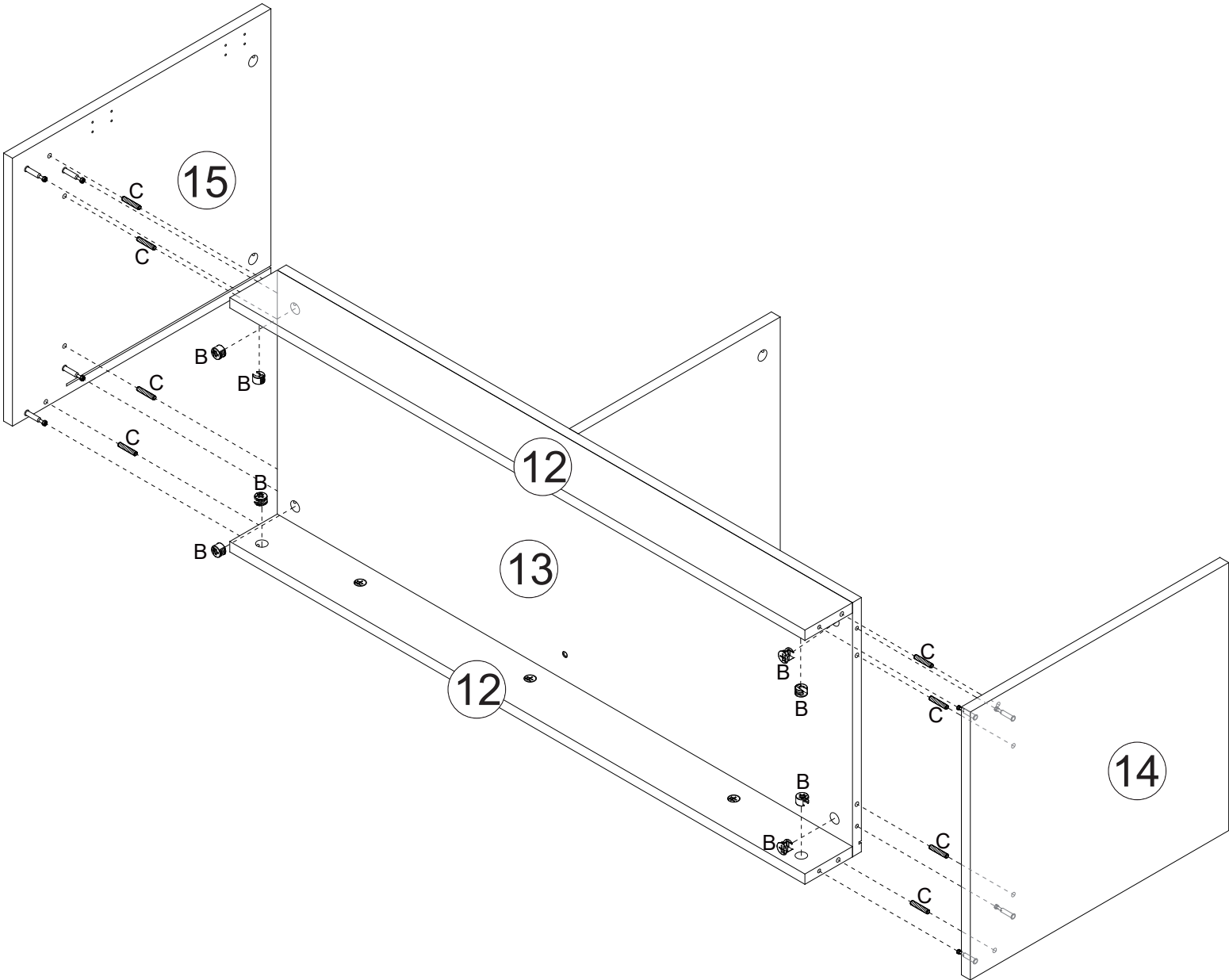
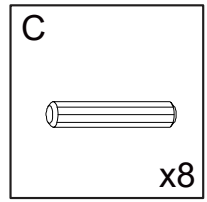
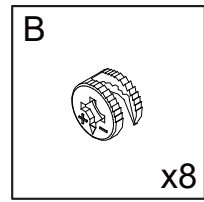
STEP 10



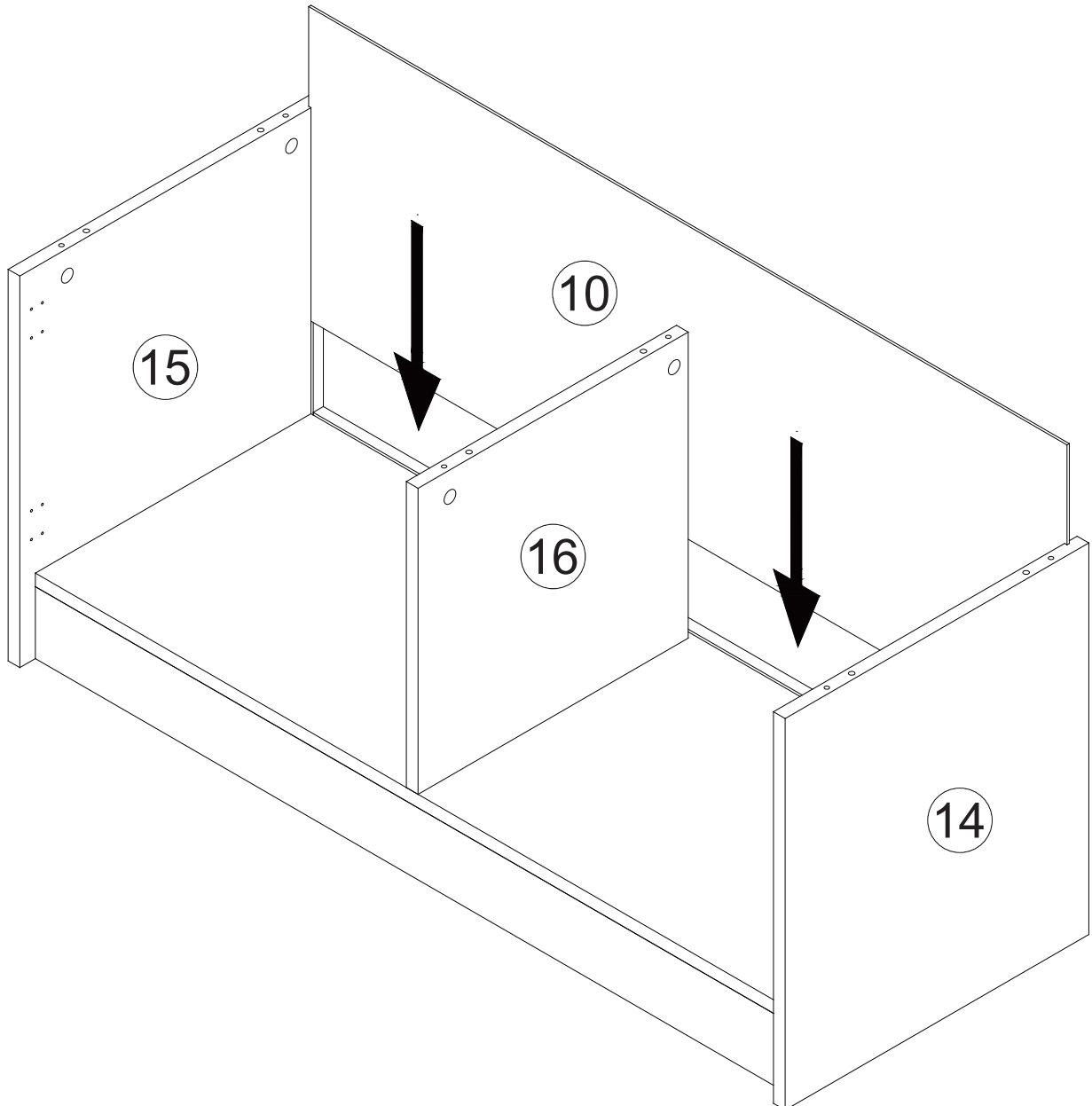
STEP 11



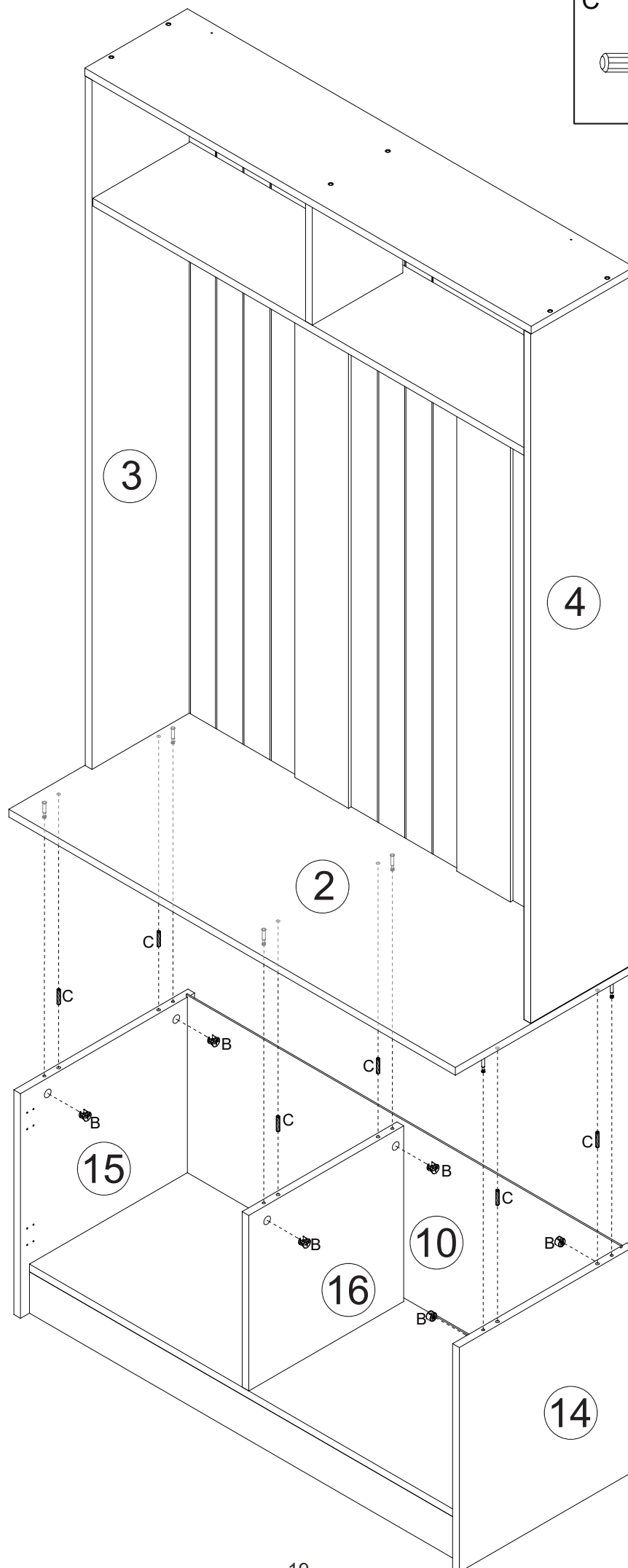
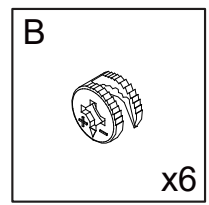
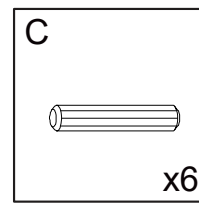
STEP 12



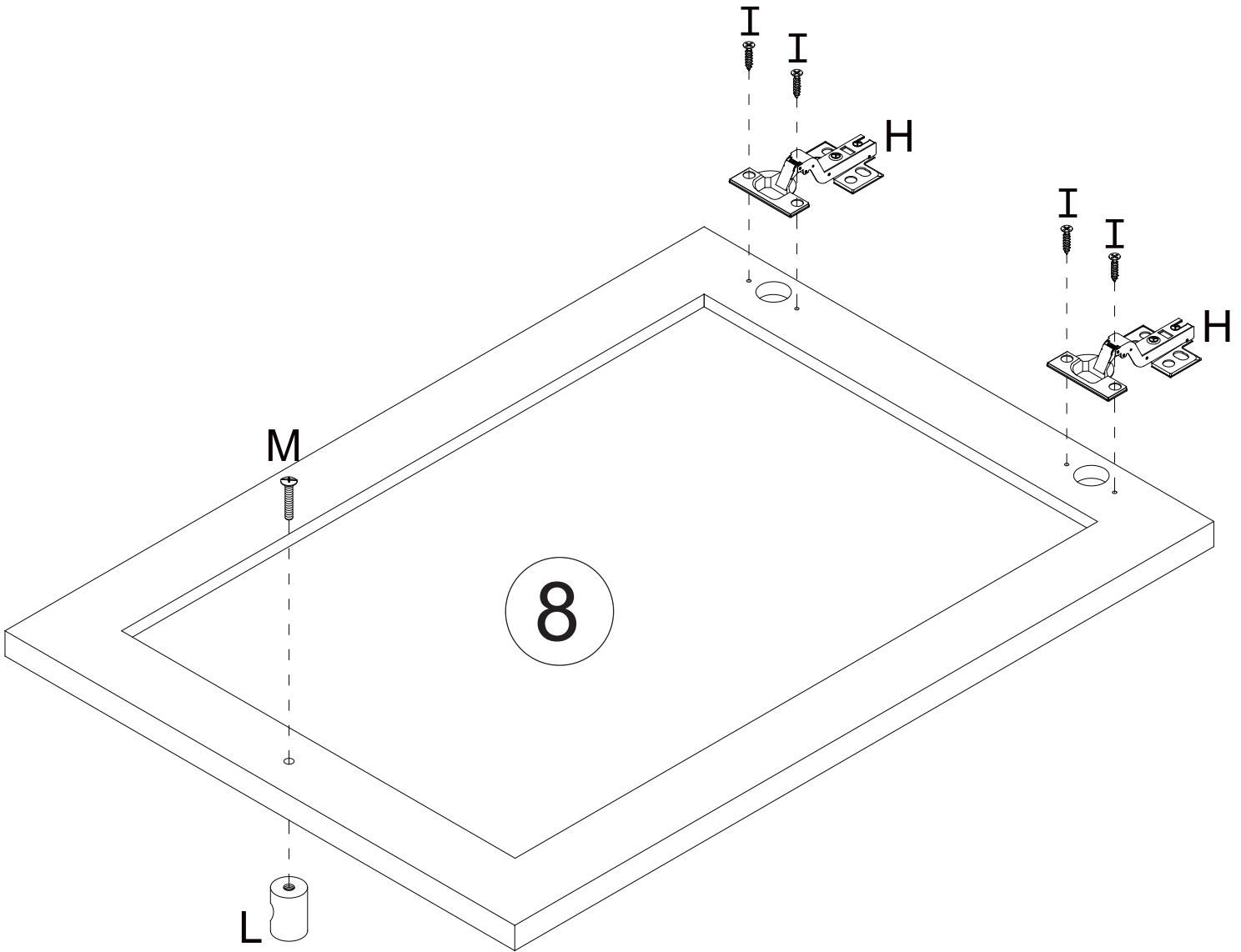
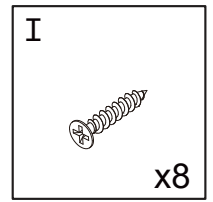
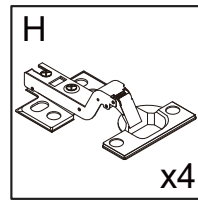
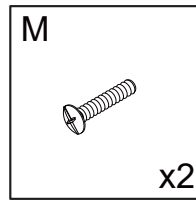
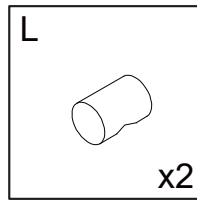
STEP 13



STEP 14

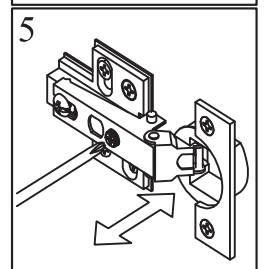
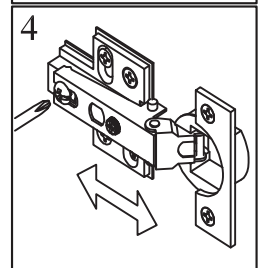
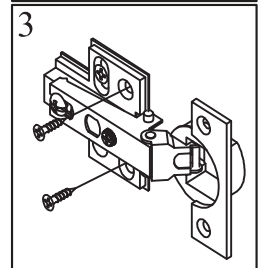
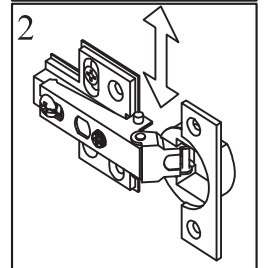
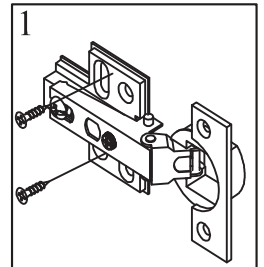
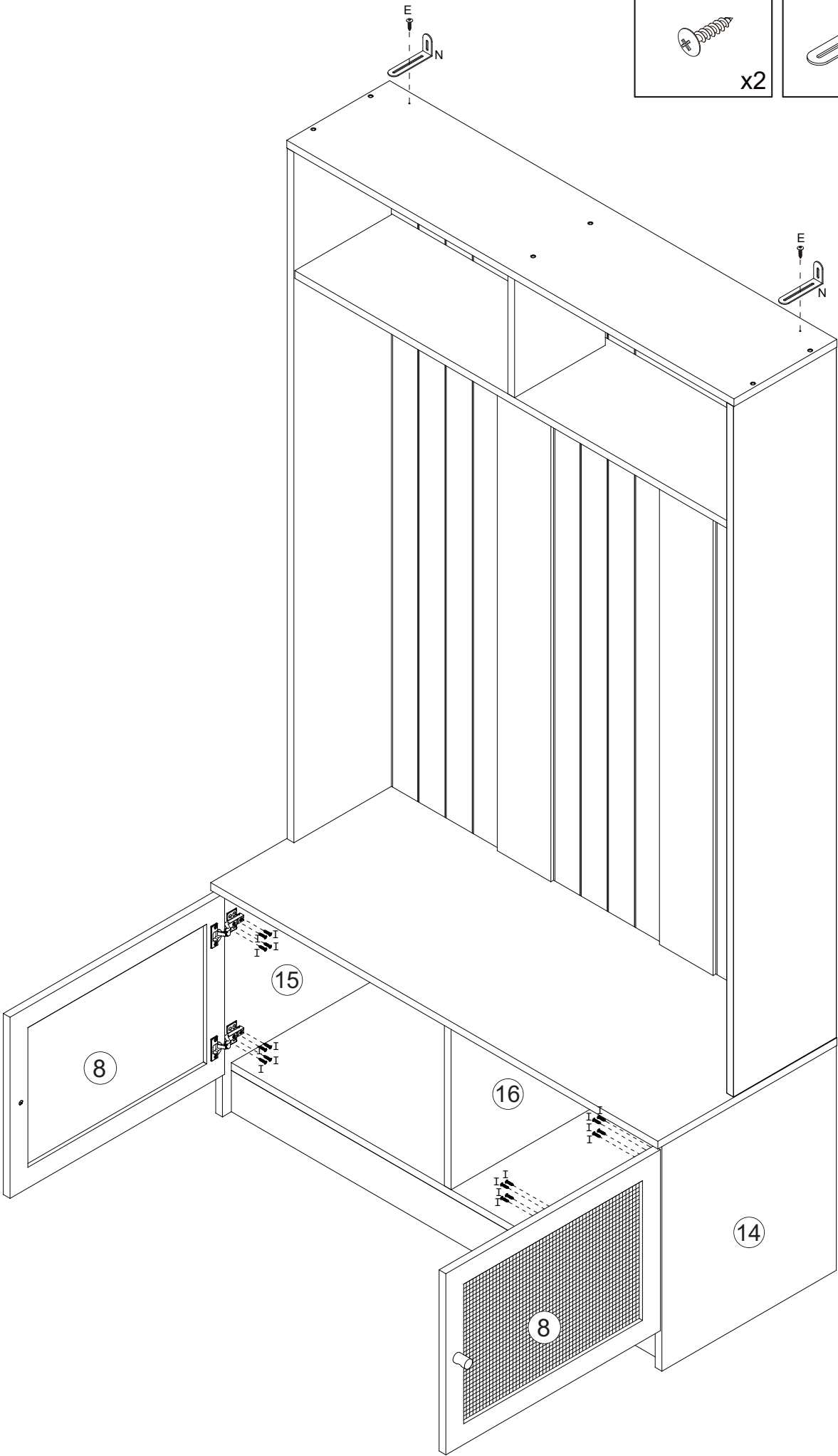
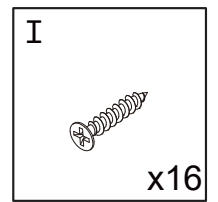
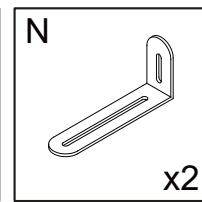
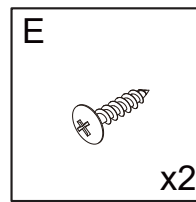


STEP 15

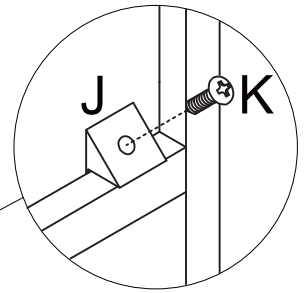
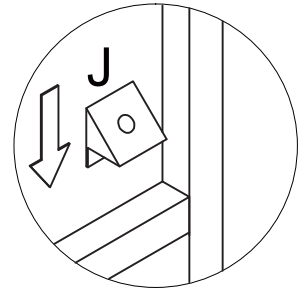
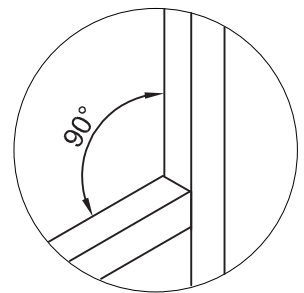
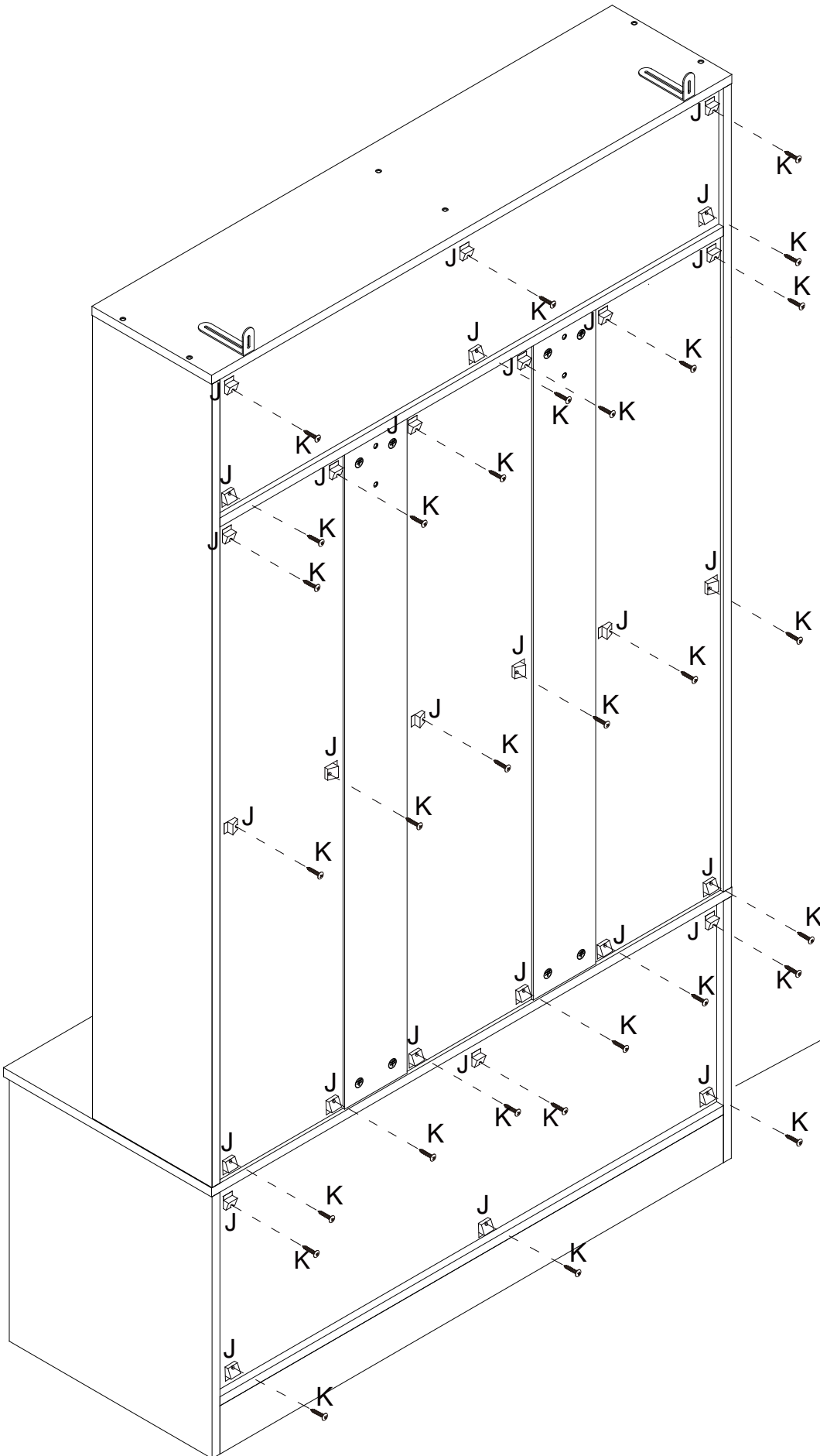
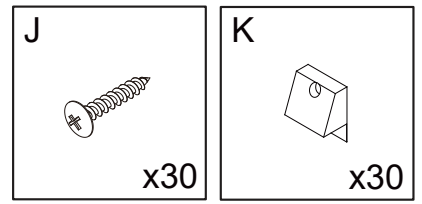


X2

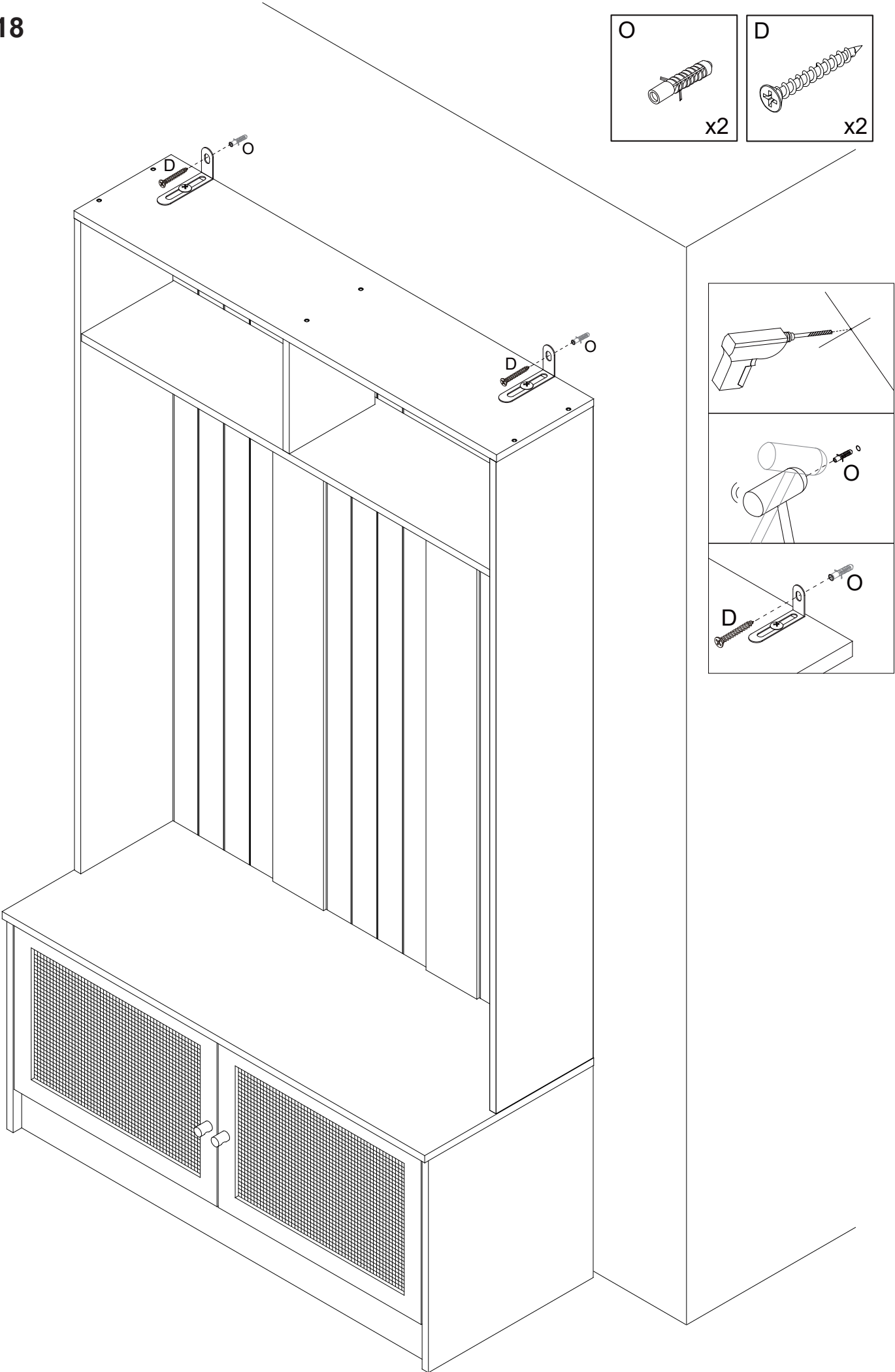
STEP 16



STEP 17



STEP 18



Proper Use

- DO NOT** use for commercial purposes
- DO NOT** use as a step stool or stand on table
- DO NOT** put hot serving liquid directly on the table top
- DO NOT** leave spilled liquid on the table top
- DO NOT** use table if damaged
- DO NOT** exceed weight limit
- DO NOT** make temporary repairs
- DO NOT** use outdoor

Dear Customer:

Thank you for purchasing our product,we wish you satisfy our service,if you have any further questions or any quality issues,please show the belows number and don't hesitate to contact our Customer Service People:

W688202405