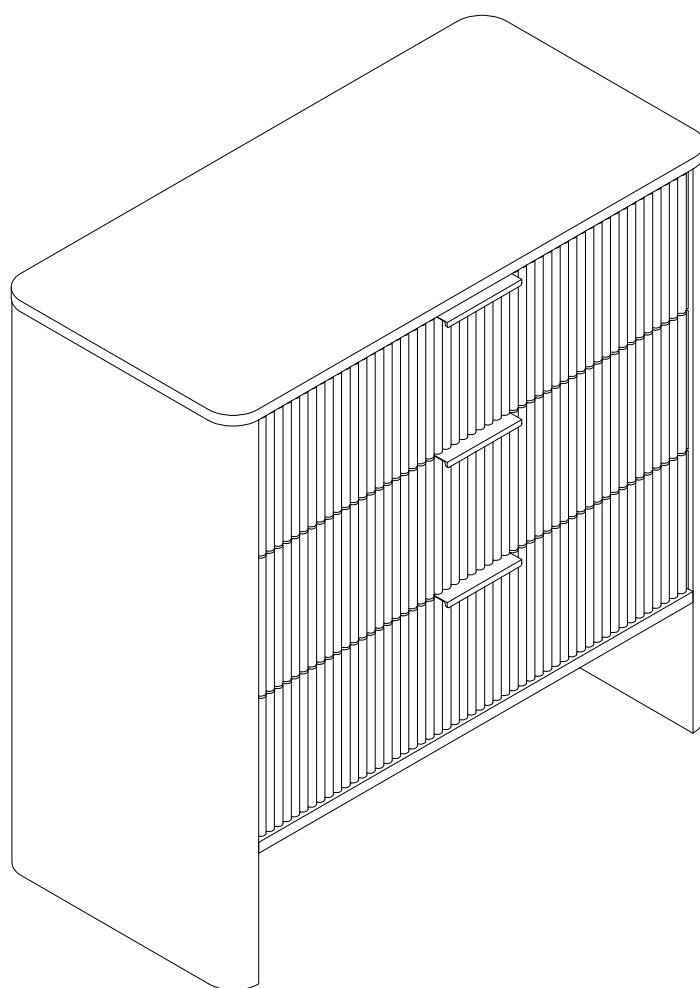


Assembly Instructions

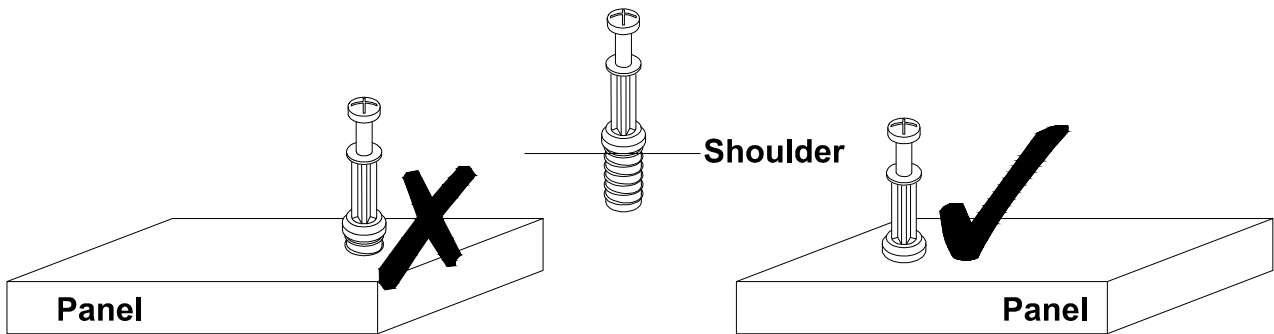


Before Assembly

Tips Before Your Start:

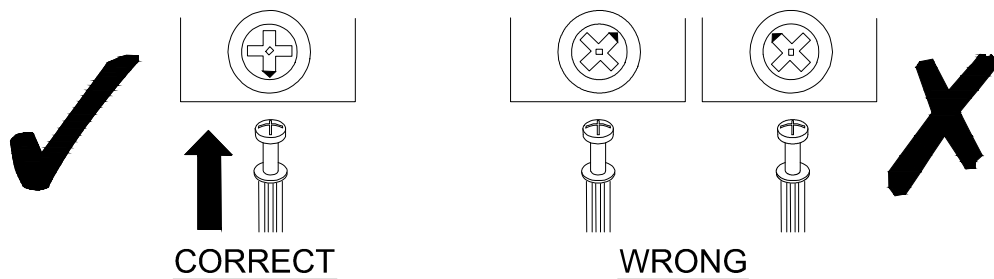
- Remove all wrapping material, including staples & packing straps before you start to assemble.
- DO NOT tighten all screws and bolts until the assembly is completely assembled.
- Keep all hardware parts out of reach of children.

QUICKFIT



Tighten quickfit until shoulder is flush with panel. Do not overtighten or undertighten.

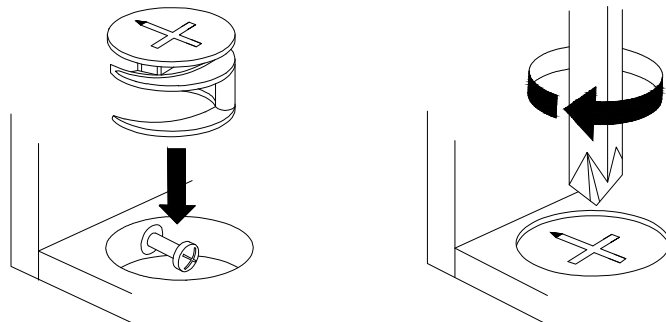
CAM LOCK



When fitting a cam lock, ensure the starting position is correct before inserting the connecting QUI CKFIT

Quickfit head should be in the centre of the cam lock when the two panels are joined.

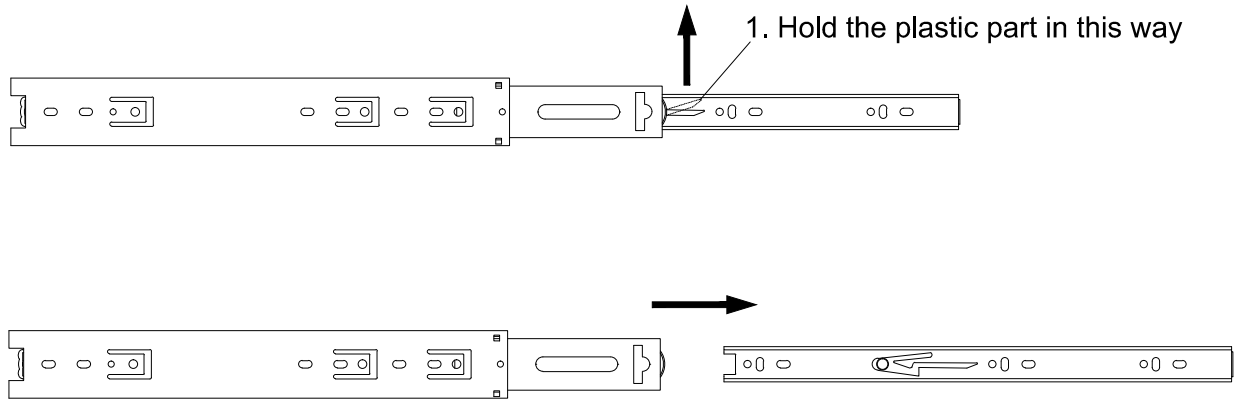
Cam lock should be inserted before quickfit.



Before Assembly

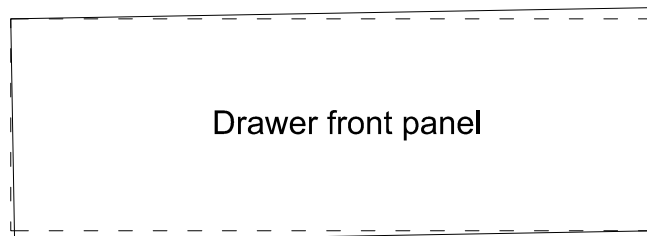
Tips Before Your Start

How to separate the drawer slider:

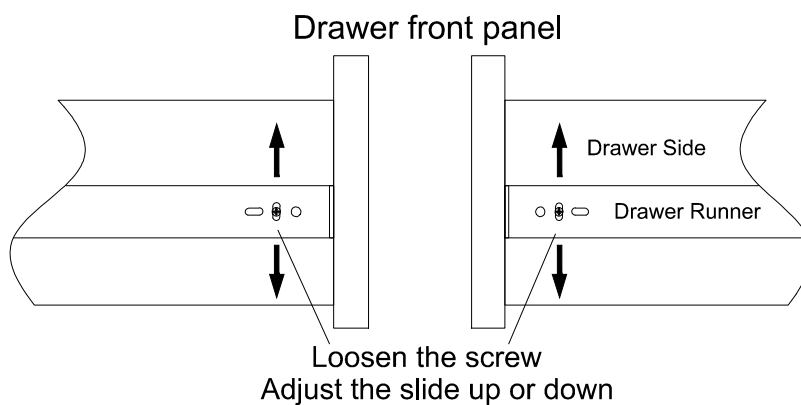


2. Pull out the inner slider for drawer box fixing

Drawer Front Alignment


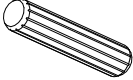
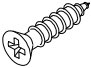
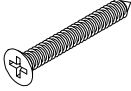
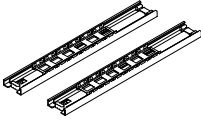
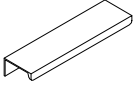

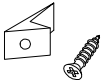
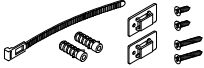


If the drawer front panel is NOT level after being assembled, then...

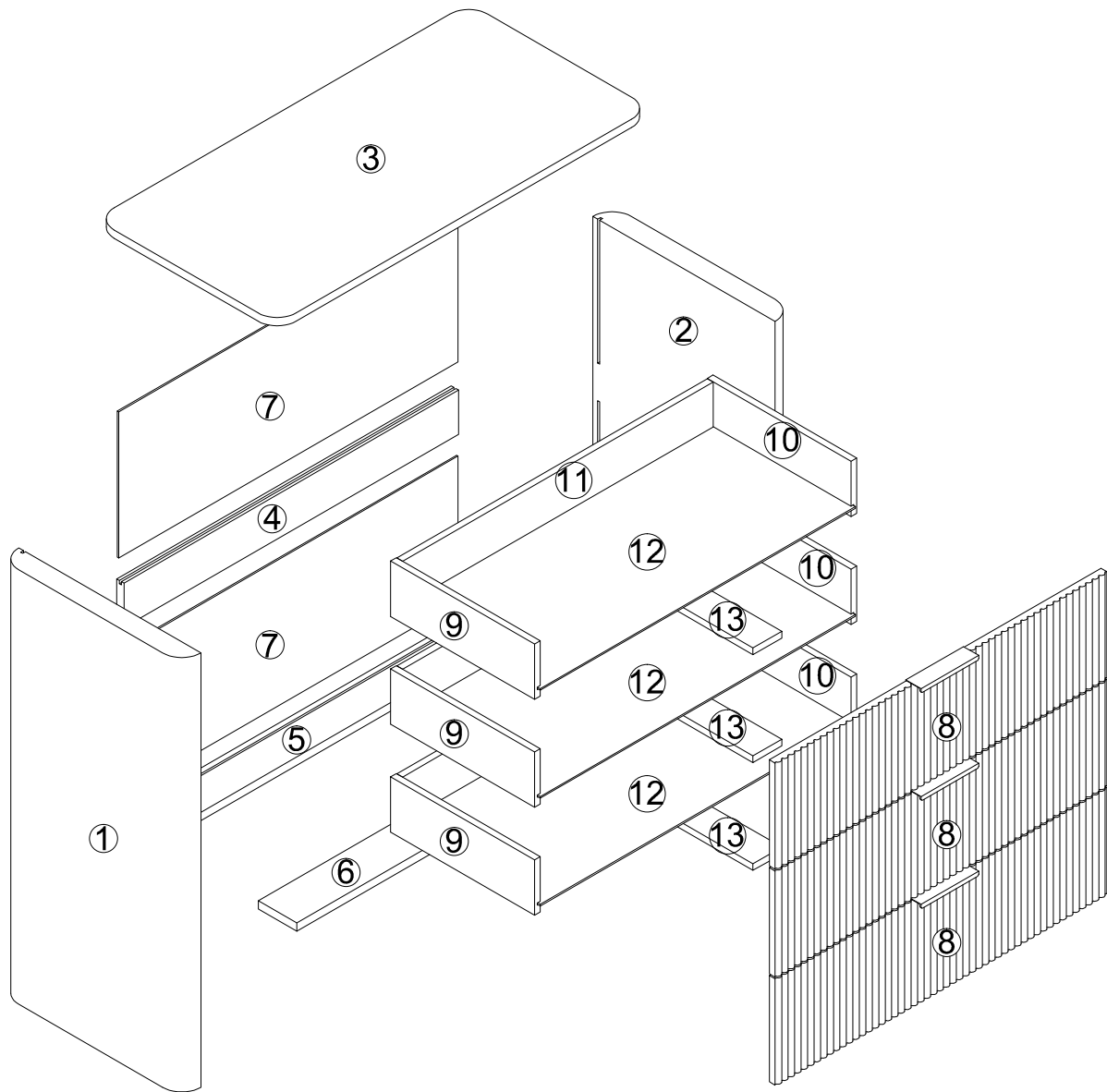


Loosen the screws on the left and right hand side, then adjust the drawer slide up or down, until the drawer fronts are even/level, then tighten the screws.

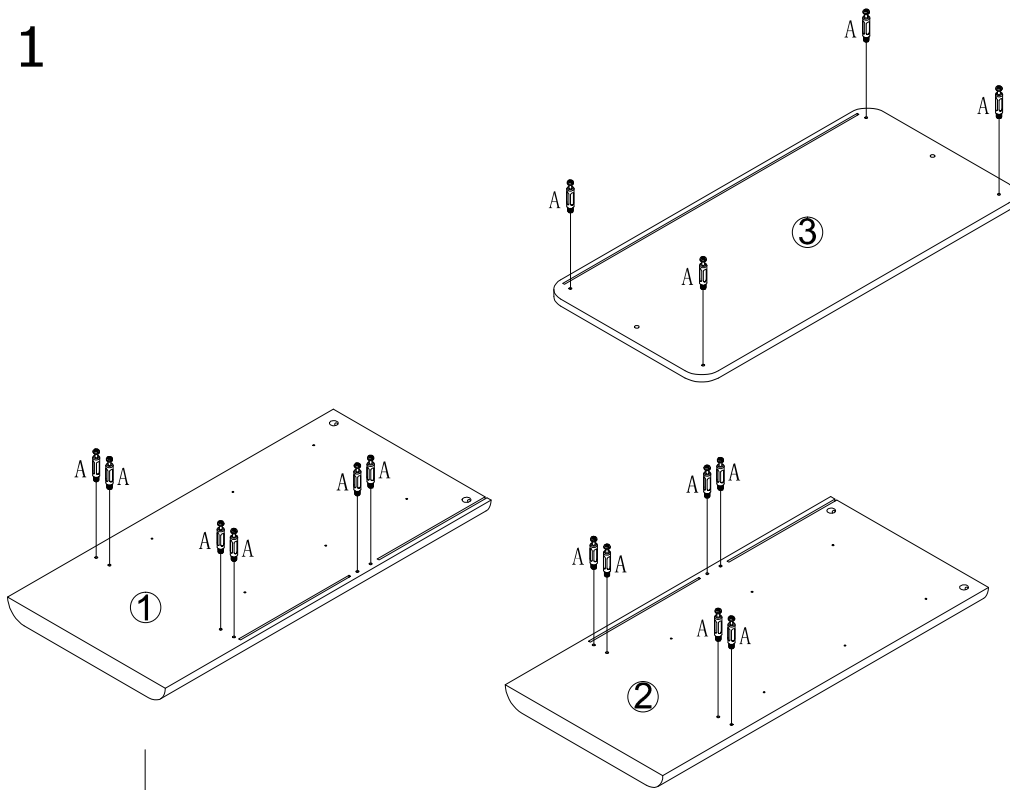
Part List

<p>No. A Quantity:40 Sets Cam Lock Dowel</p> 	<p>No. B Quantity:2 Pcs Dowel 8*30mm</p> 	<p>No. C Quantity:30 Pcs Screw M3.5*14mm</p> 	<p>No. D Quantity:12 Pcs Screw M4*30mm</p> 
<p>No. E Quantity:3 Sets Drawer Slider 10"</p> 	<p>No. F Quantity:3 Pcs Handle 120*38*17mm</p> 	<p>No. G Quantity:4 Pcs Slip Mat Ø20</p> 	<p>No. H Quantity:8 Sets Plastic Wedge</p> 
<p>No. I Quantity:1 Sets Anti-falling Parts</p> 			

Product structure



STEP 1



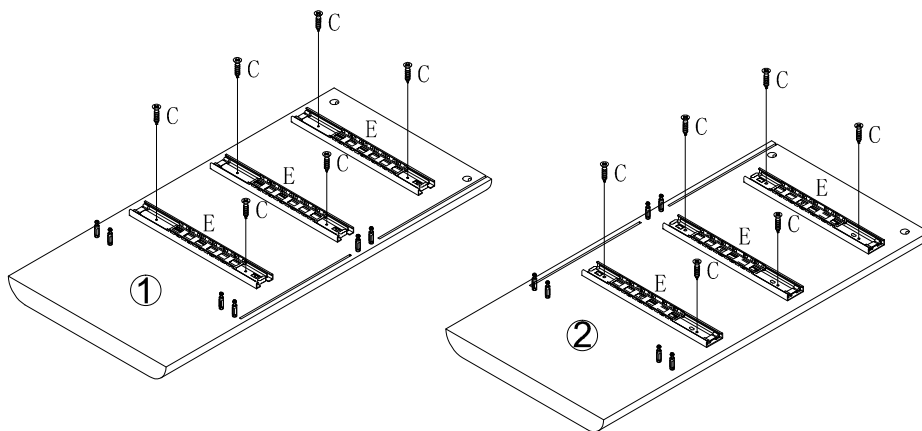
No. A
Quantity: 16 Pcs
8*28 mm



STEP 2



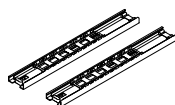
The first screw hole should corresponded with the board location hole



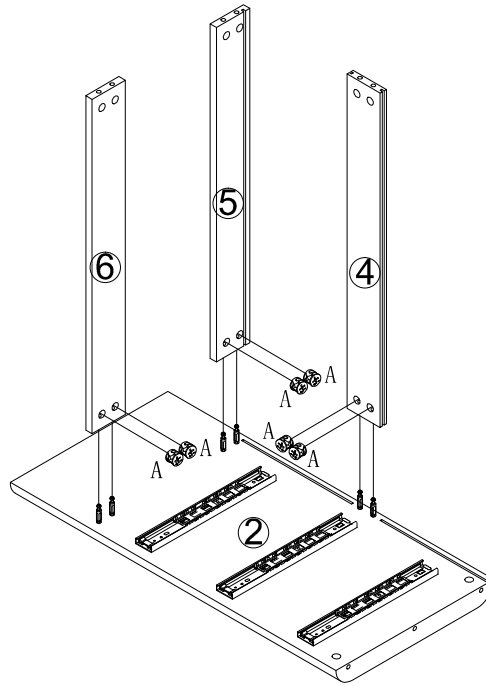
No. C
Quantity: 12 Pcs
M3.5*14mm



No. E
Quantity: 3 Sets
10"



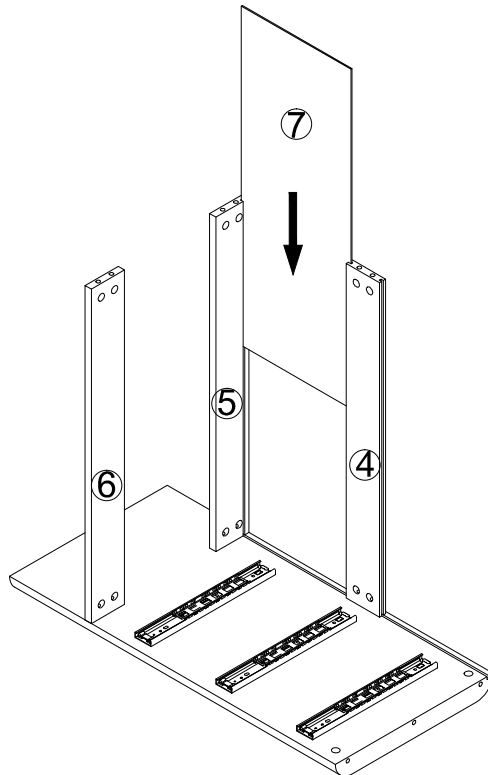
STEP 3



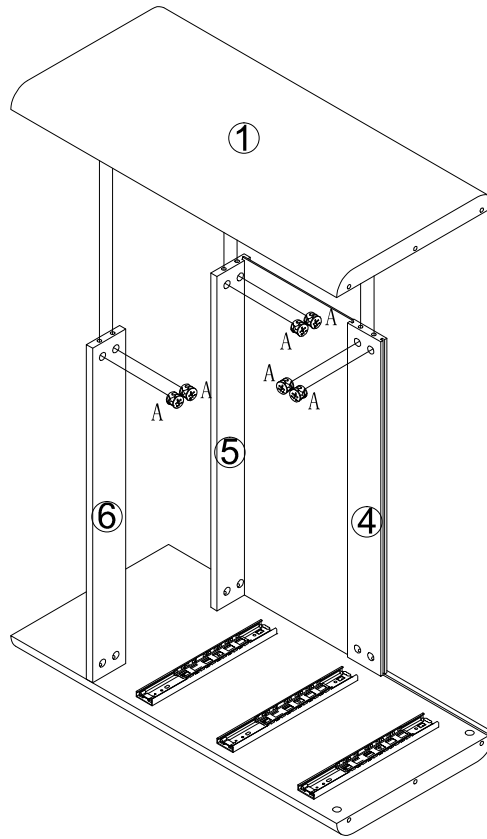
No. A
Quantity: 6 Pcs
Ø15



STEP 4



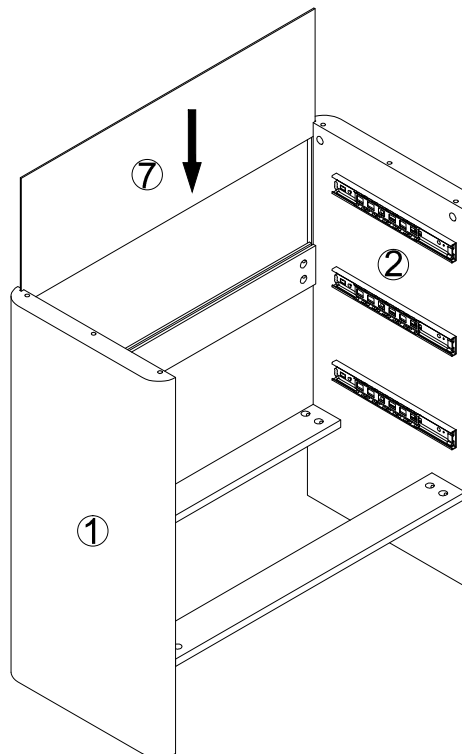
STEP 5



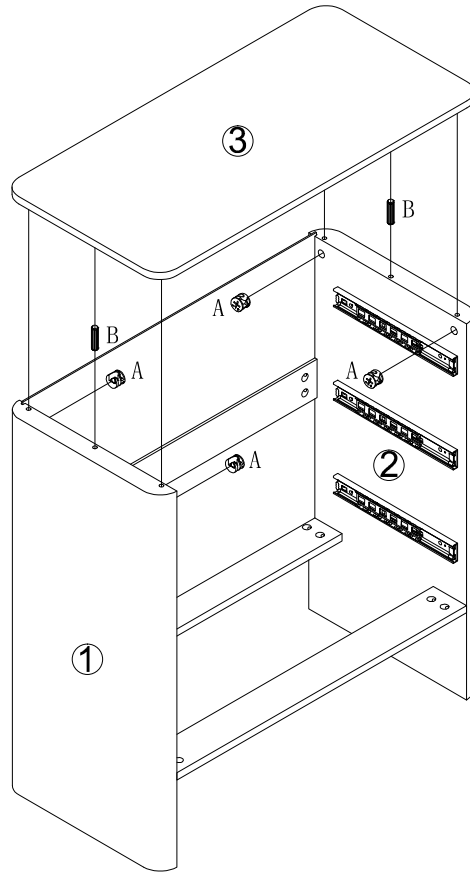
No. A
Quantity: 6 Pcs
Ø15



STEP 6



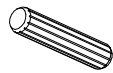
STEP 7



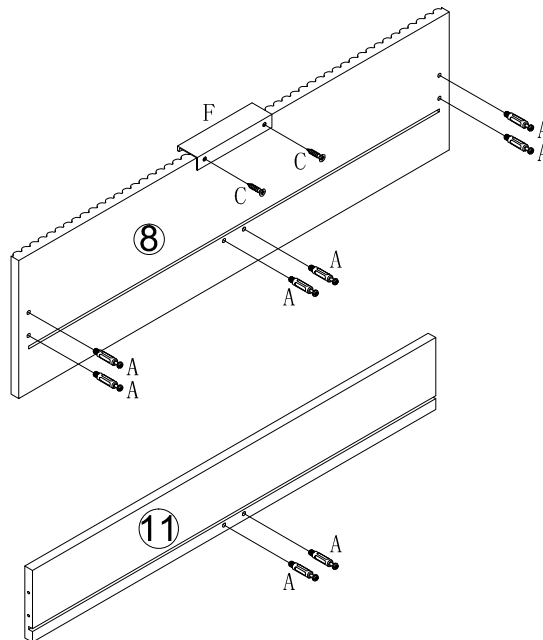
No. A
Quantity: 4 Pcs
Ø15



No. B
Quantity: 2 Pcs
8*30mm



STEP 8



× 3

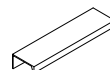
No. A
Quantity: 24 Pcs
8*28 mm



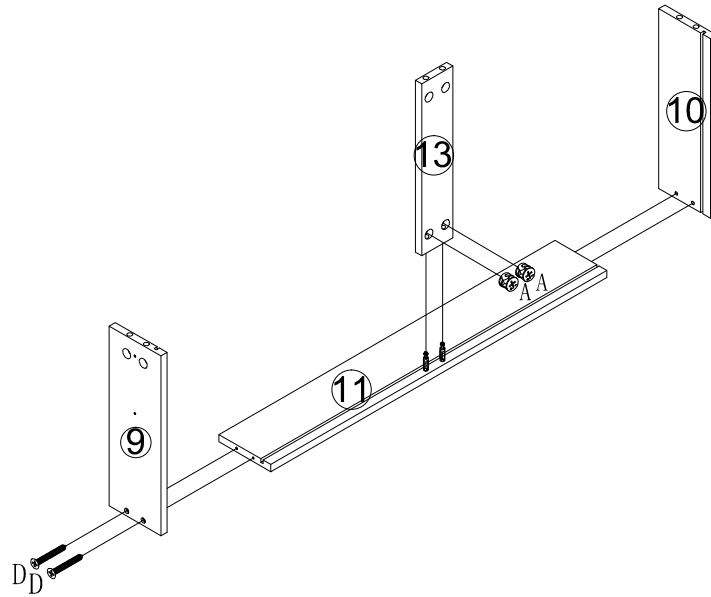
No. C
Quantity: 6 Pcs
M3.5*14mm



No. F
Quantity: 3 Pcs
120*38*17mm



STEP 9

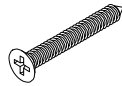


x3

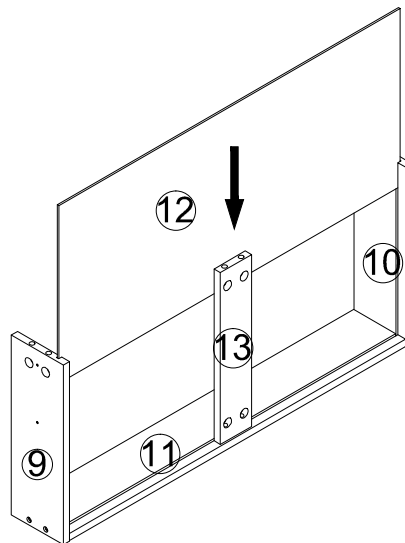
No. A
Quantity: 6 Pcs
Ø15



No. D
Quantity: 12 Pcs
M4*30mm

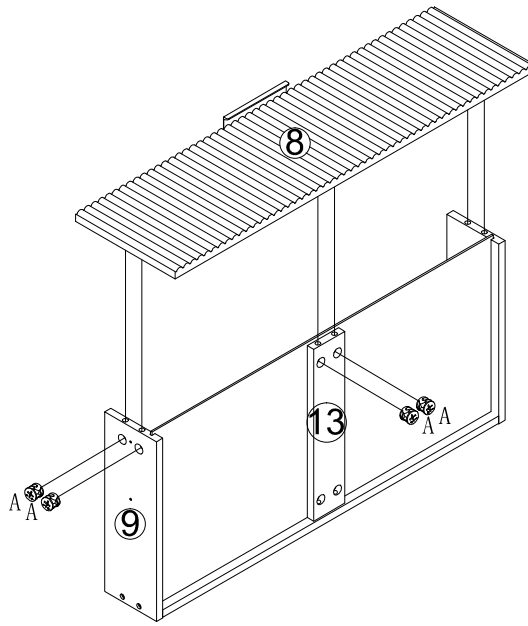


STEP 10



x3

STEP 11



× 3

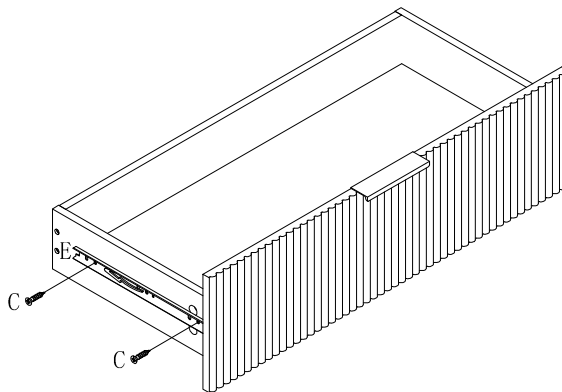
No. A
Quantity: 18 Pcs
Ø15



STEP 12



The first screw hole should corresponded with the board location hole

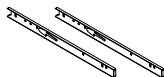


× 3

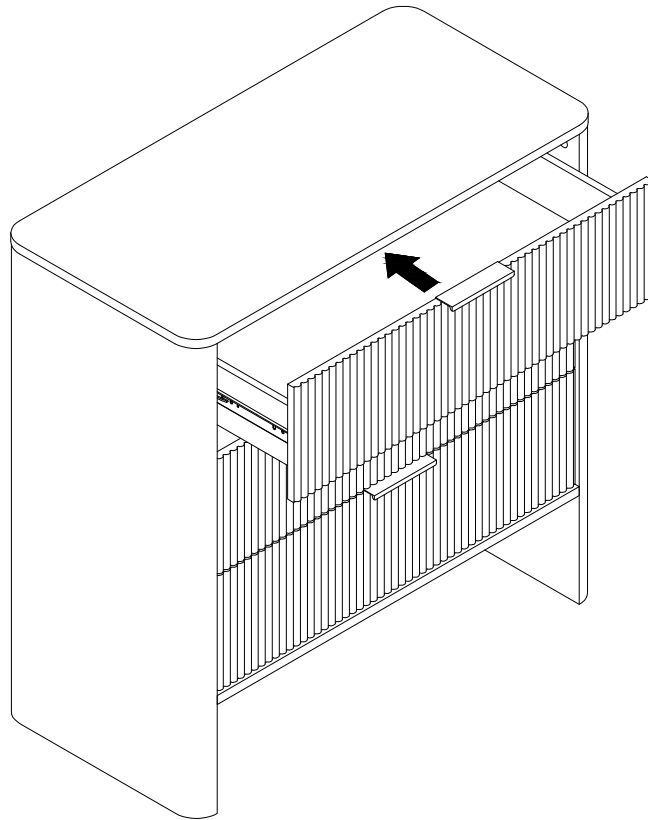
No. C
Quantity: 12 Pcs
M3.5*14mm



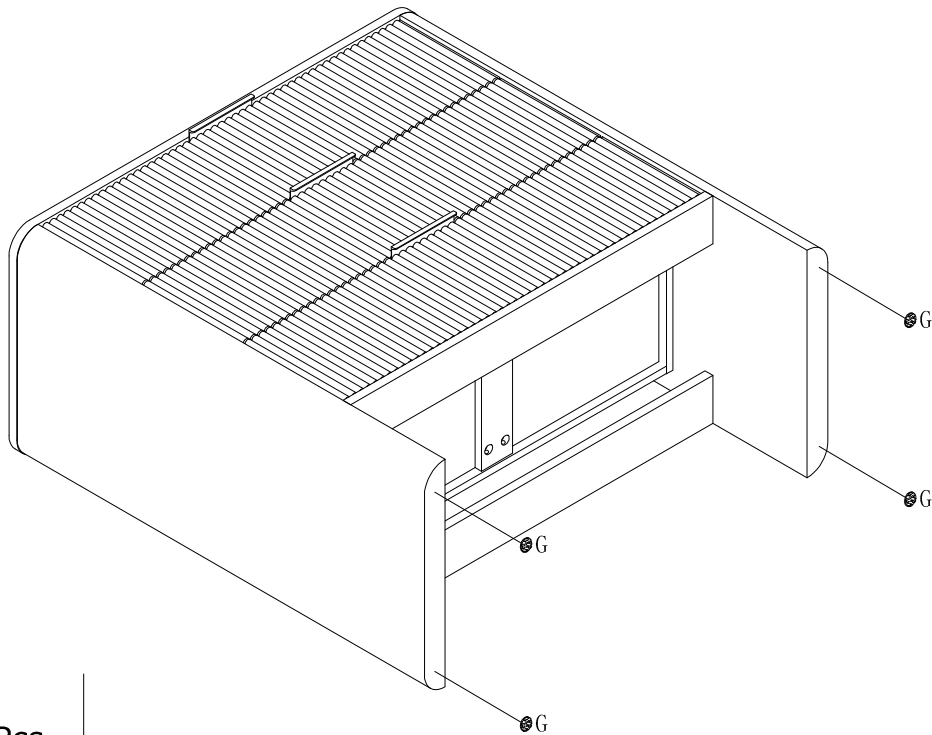
No. E
Quantity: 3 Sets
10"



STEP 13



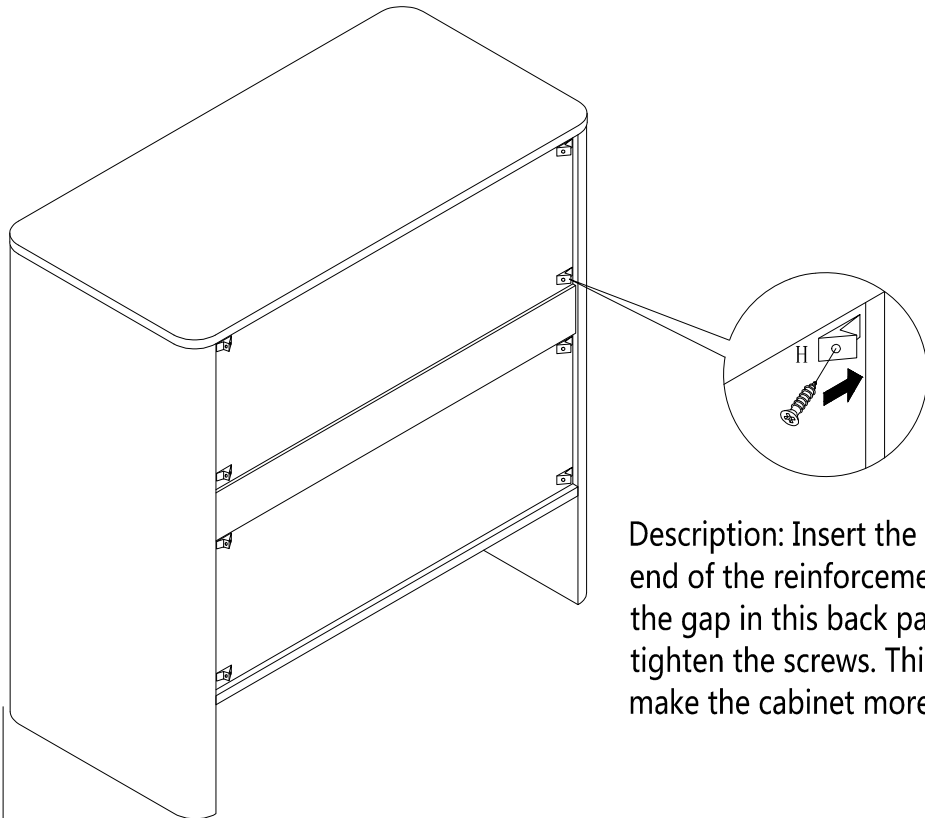
STEP 14



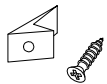
No. G
Quantity: 4 Pcs
Ø20



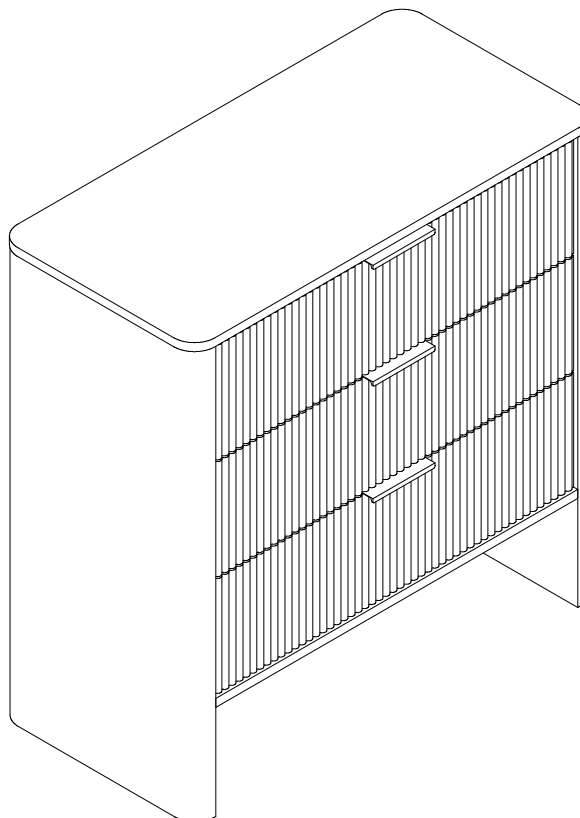
STEP 15



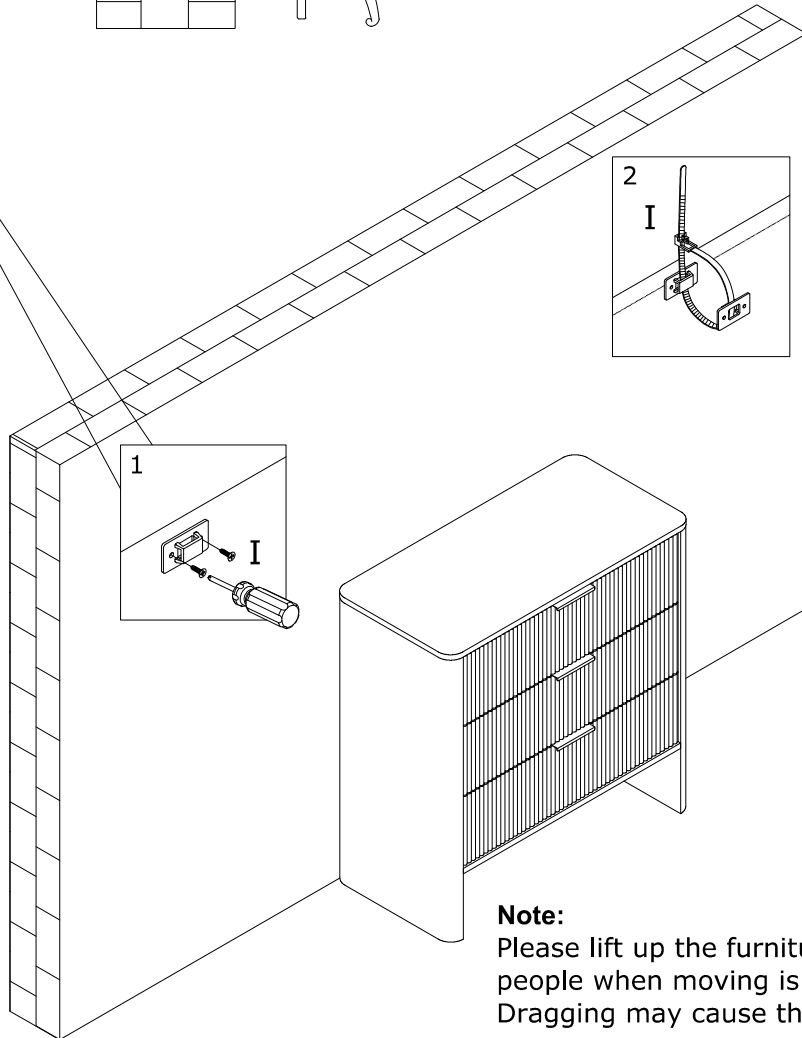
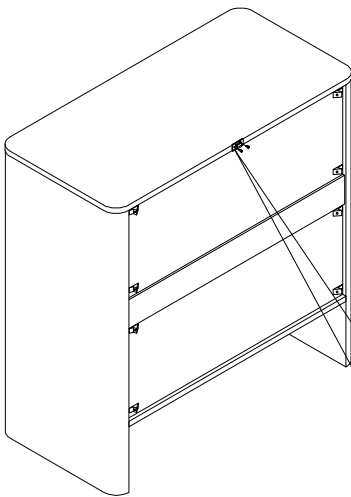
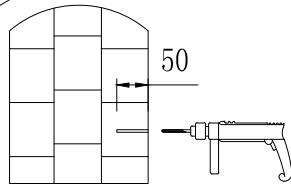
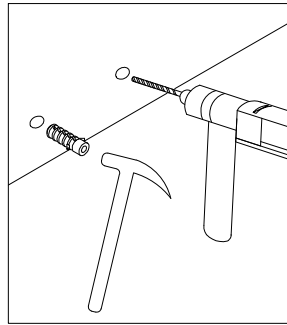
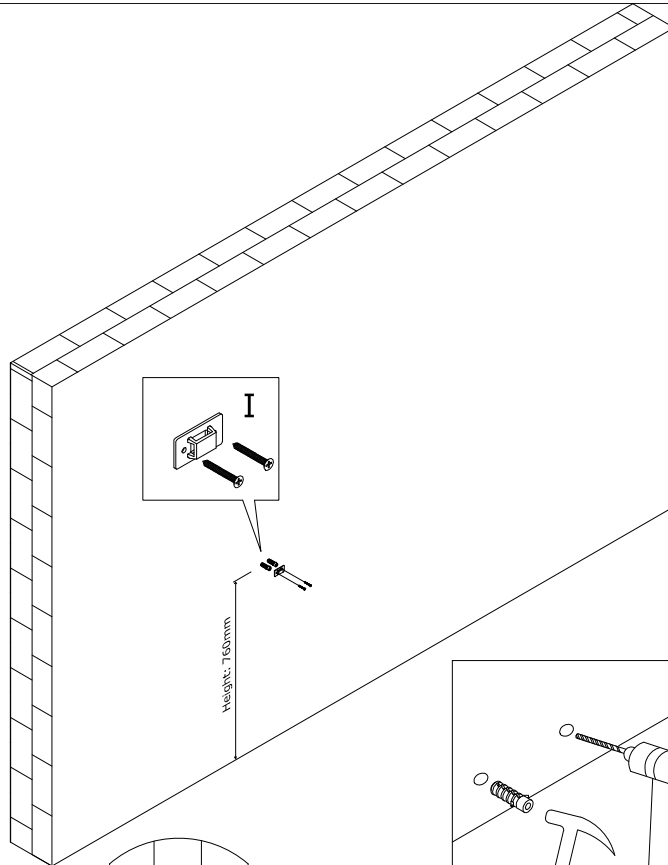
No. H
Quantity: 8 Sets



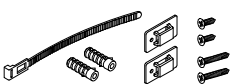
STEP 16



STEP 17



No. I
Quantity: 1 Set



Note:
Please lift up the furniture by two people when moving is needed.
Dragging may cause the legs failure.