

E26 (MB) Indoor Luminaires

Ceiling Mount – Pendant

120VAC / 60Hz

Safety Precautions

- Read all safety precautions and installation instructions carefully before installing or servicing this fixture. Failure to comply with these instructions could result in potentially fatal electric shock and/or property damage.
- It is recommended that a qualified electrician perform all the wiring. This fixture must be wired in accordance with all national and local electrical codes.
- Do not handle any energized fixture or attempt to energize any fixture with wet hands or while standing on a wet or damp surface or in water.
- This fixture is designed for use in a 120VAC circuit. This fixture is not compatible with dimming circuit.
- Make sure that the power source conforms to the requirements of the fixture. (See labels on the fixture housing).
- To reduce the risk of electrical shock, and to assure proper operation, this fixture must be adequately grounded. To accomplish proper grounding, there must be a separate ground wire (green) contact between this fixture and the ground connection of your main power supply panel.
- This fixture is intended to be used for general indoor lighting in dry or damp locations.

Assembly Instructions

Step 1 – Preparing for installation

- Disconnect electrical power at the fuse or circuit breaker box before installing or servicing any part of this fixture.
- Carefully remove the fixture and hardware kit from the carton.
- Remove components from the hardware kit.
- Remove gem bar (1) from the fixture (3) by loosening two barrel nuts (5).
- Install gem bar (1) to the 3-0 or 4-0 junction box (not included) using two screws (2) to secure it.
- Fixture is provided with 60" stems (7) and 108" adjustable power cord that can extend to 108" total drop with optional accessory. The stems included are four 12" long and two 6" long for a total of 60" long. Assemble stems (7) to one another as needed to achieve desired drop height then connect it to 90degree swivel (6). It is easier to feed fixture cord through each stem prior to connecting them together. Turn clockwise to tighten and secure it to the canopy. Carefully store excess cord using twist tie or zip tie (not included) to hide it inside the canopy.

Wiring – All wiring must take place inside the junction box (not included)

Caution: Make sure power is off at the fuse or circuit breaker box. Check power wires for damage or scrapes. Use wire suitable for at least 90°C (194°F). **Note:** Most dwellings built before 1985 have supply wire rated to 60°C. Consult a qualified electrician to ensure correct branch circuit conductor before installing.

Step 2 – Wiring fixture

- Make all wire connections to appropriate wire. Secure with wire nuts (provided).
- Connect the green wire from the fixture to the supply power source ground wire.
- Connect the black wire from the fixture to the black (L) wire from the supply power source.
- Connect the white wire from the fixture to the white (N) wire from the supply power source.
- Pull on each wire lead to make sure connections are secure. Make certain no bare wires are exposed outside of wire connectors. Tuck all connections neatly into the junction box.

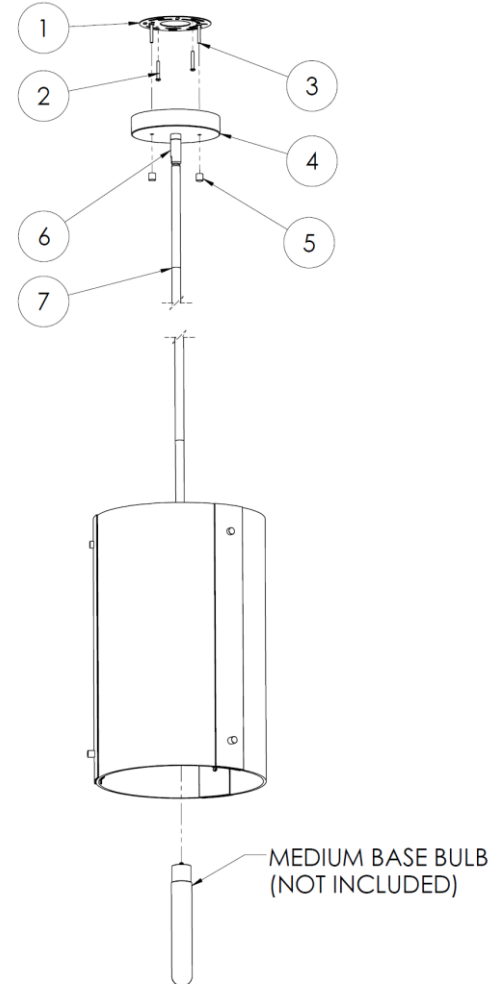
Step 3 – Mounting

- Install fixture (4) over the gem bar (1) by aligning threaded studs (3) with bottom hole together then using two barrel nuts (5) to secure it.

Step 4 – Lamping (not included)

- Install medium base bulb (not included) into socket and twist clockwise rotation until securely snug. Use only E26, Max 60W Type T10.

Step 5 – Restore power at the fuse or circuit breaker box



View shown for reference only. Individual models may vary.

Limited Factory Warranty

Our warranty that this fixture is free from defects in materials and workmanship when installed and used under normal operating conditions for a period of 5 years from date of shipment from factory. This warranty covers all component parts and extends only to replacement of defective fixture or components; it does not cover failure due to improper installation, misuse, mishandling or damage incurred in transit.