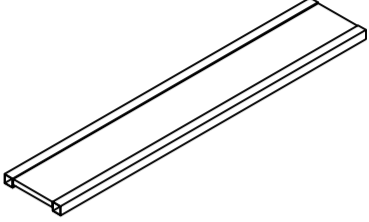
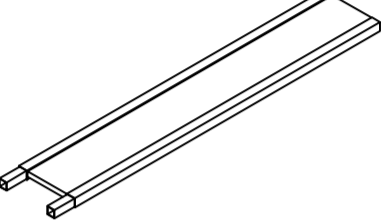
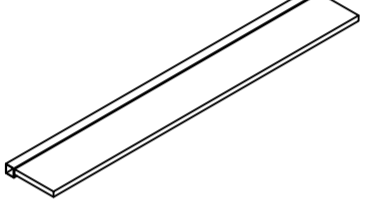
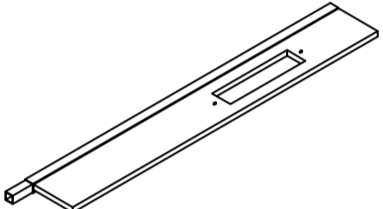
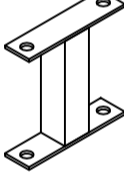
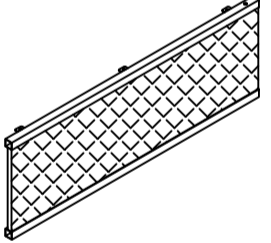
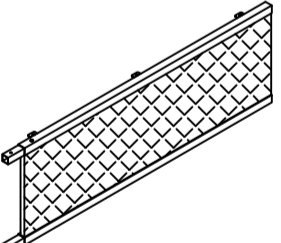
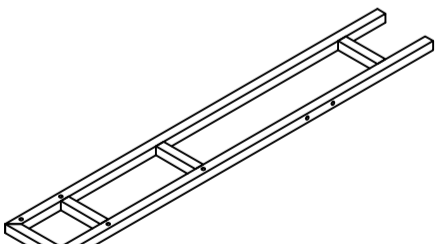
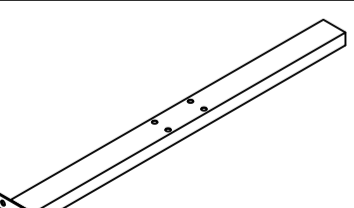
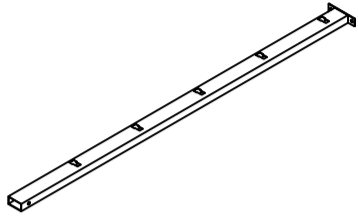
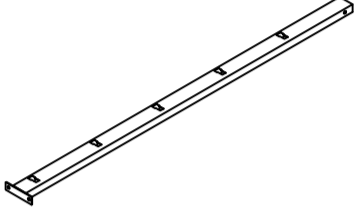
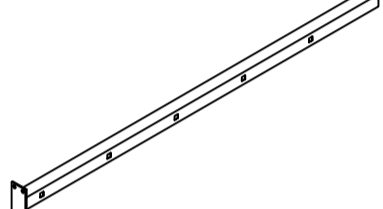
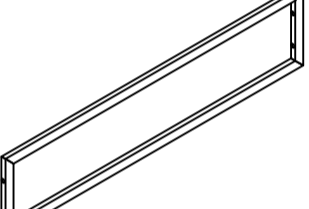
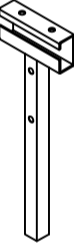
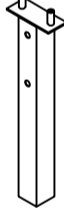
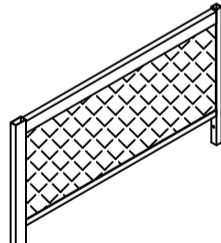
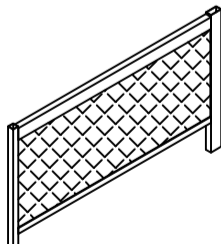
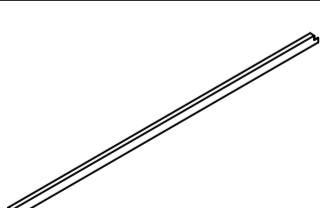
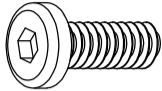
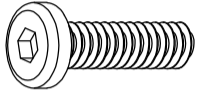

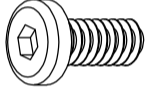
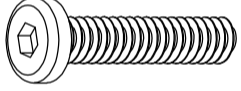
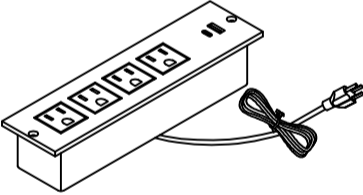
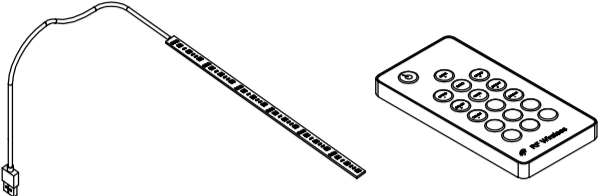

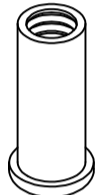
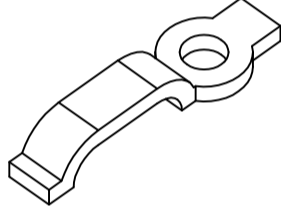
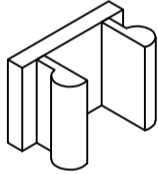

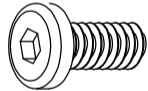
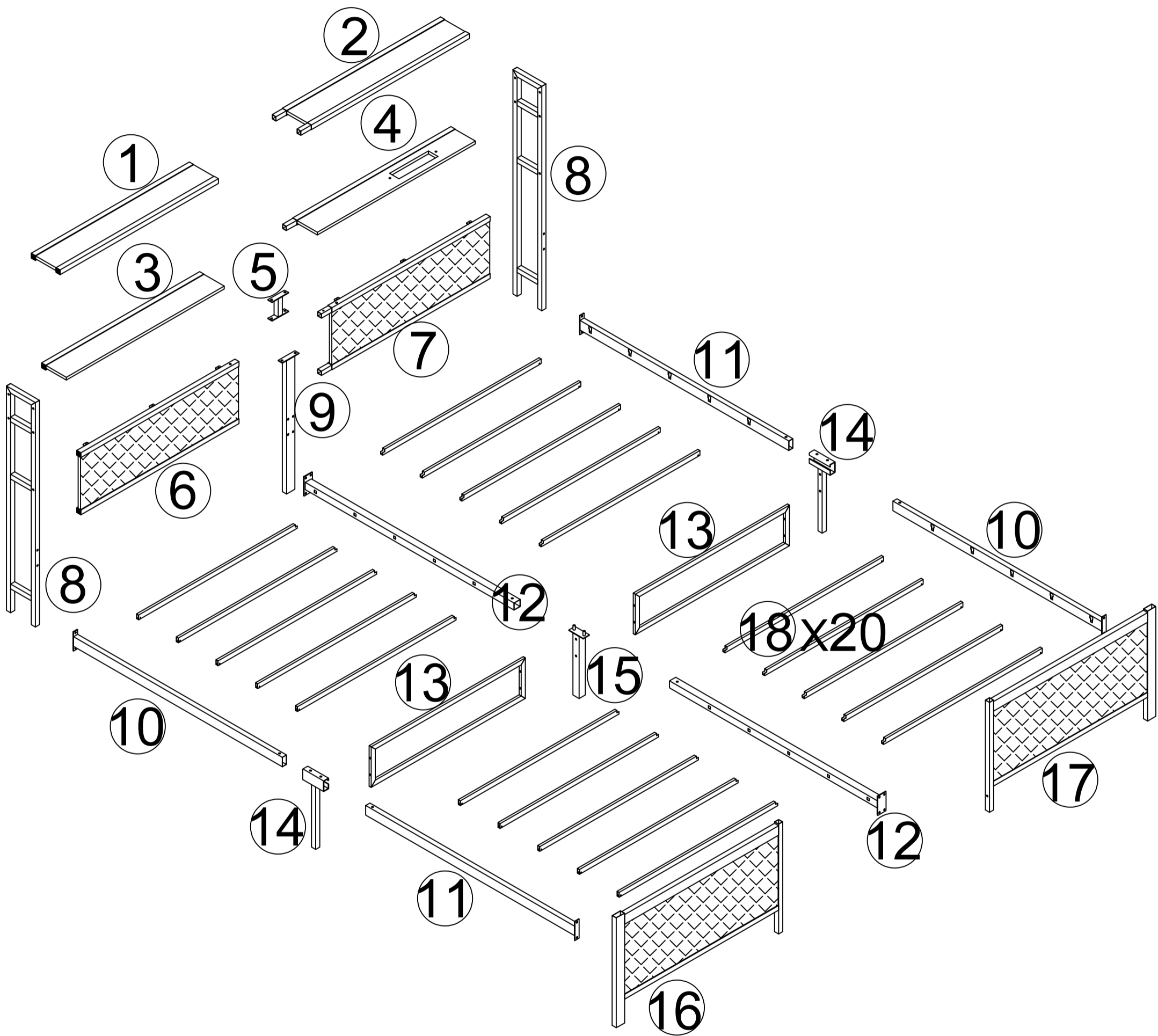


#		QTY
①		1
②		1
③		1
④		1
⑤		1
⑥		1
⑦		1
⑧		2
⑨		1

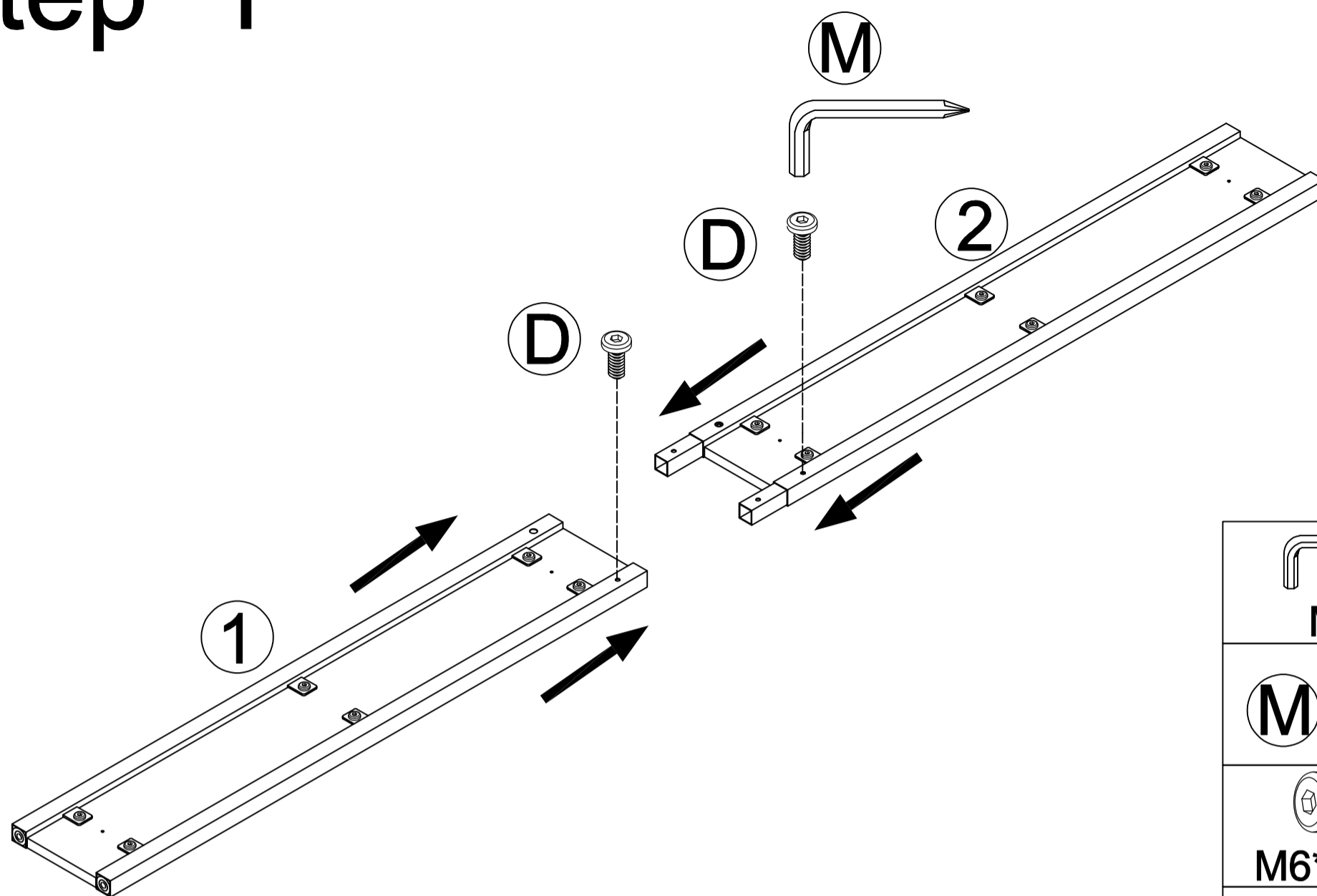
#		QTY
⑩		2
⑪		2
⑫		2
⑬		2
⑭		2
⑮		1
⑯		1
⑰		1
⑱		20

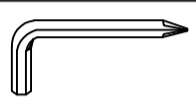
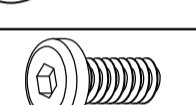
#		QTY
A	 M8*15mm	8
B	 M6*20mm	2
C	 M6*32mm	22+2
D	 M6*10mm	16+1
E	 M6*28mm	1
F		1

#		QTY
G		1
H	 M3*10mm	6
J	 M6*20mm	4
K		4
L		20
M	 M4	1
N	 M6*15mm	8

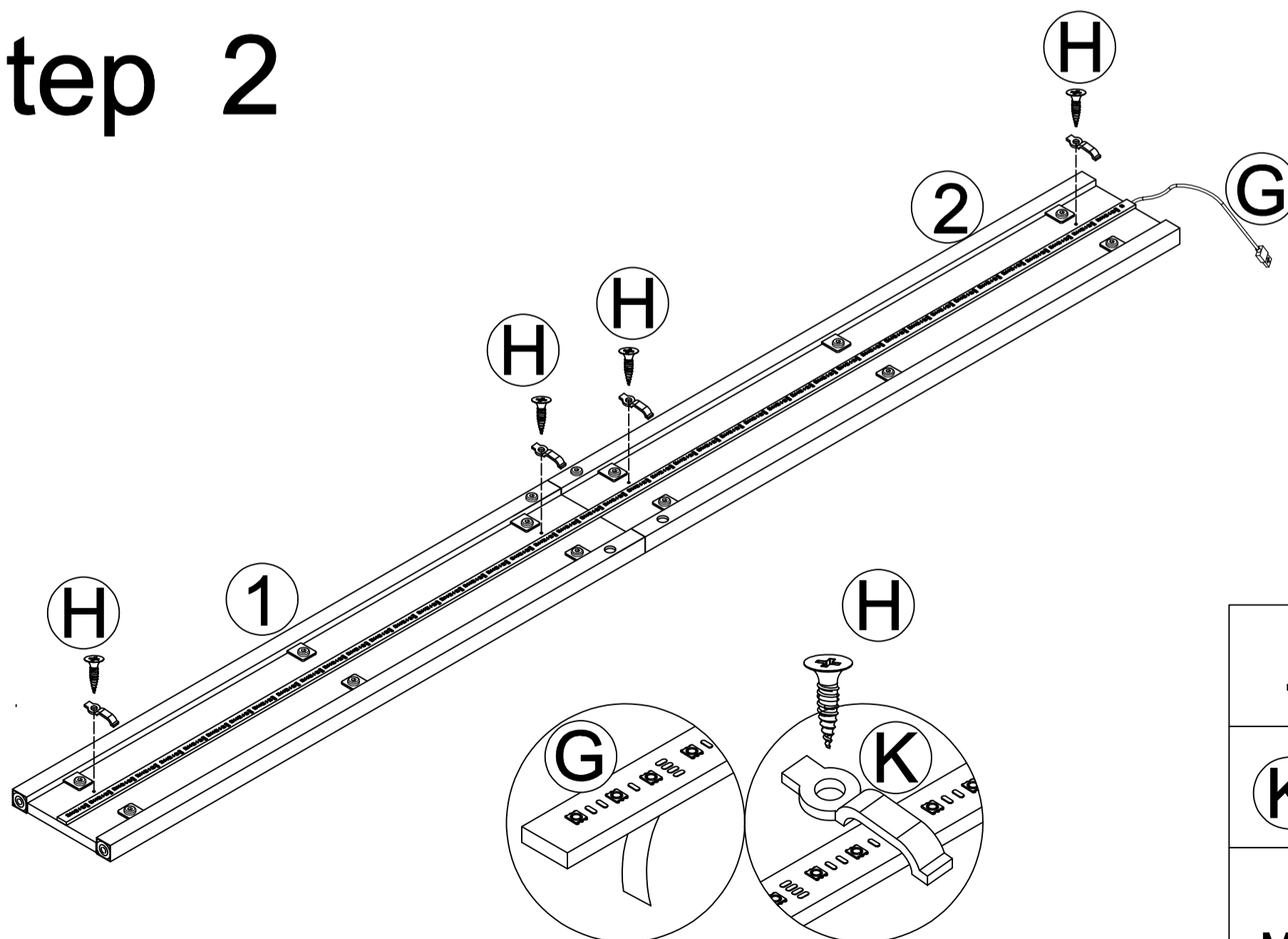



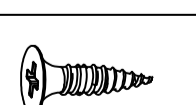
Step 1



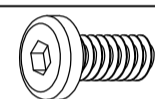
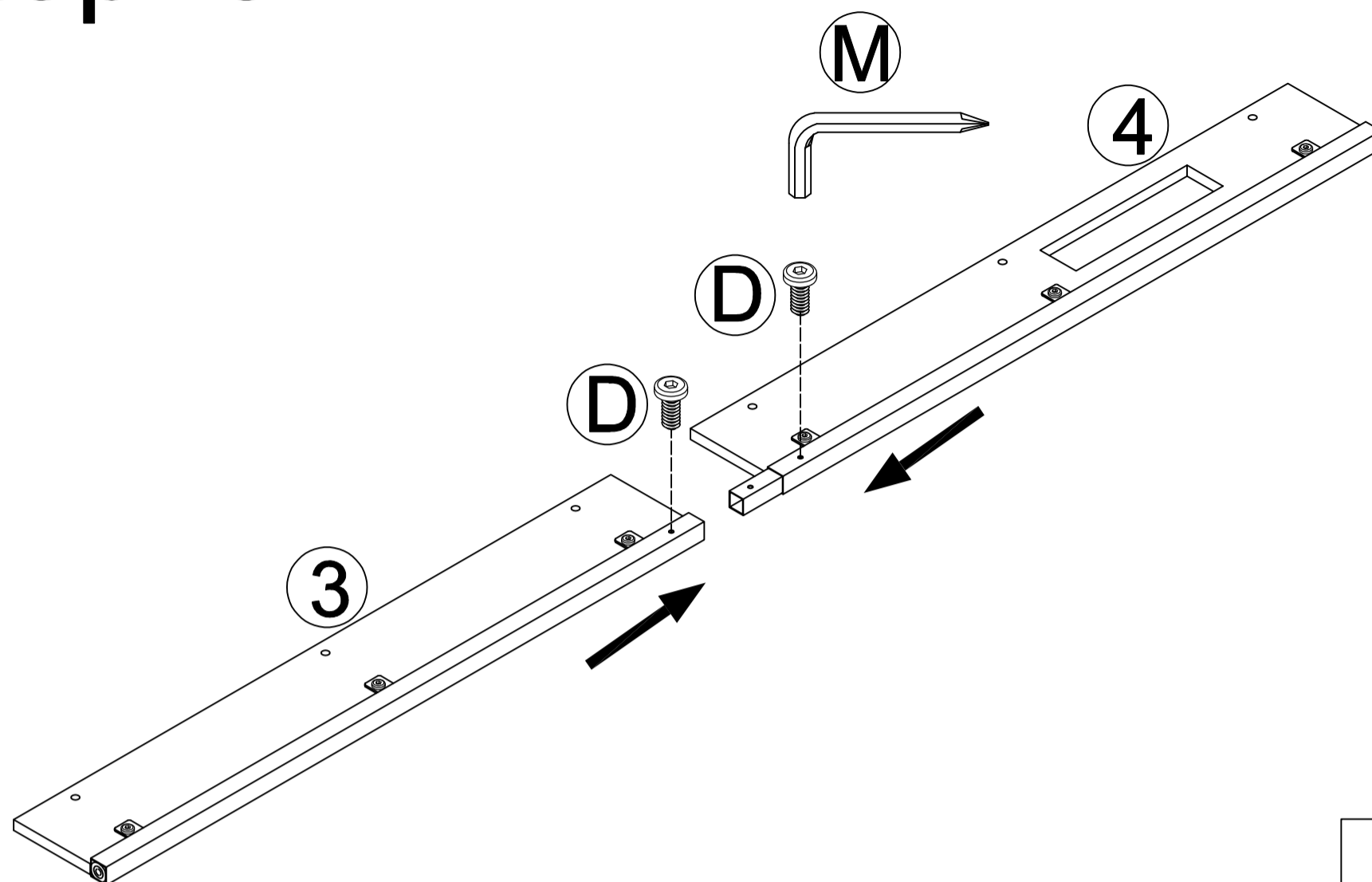
 M4
M x 1
 M6*10mm
D x 2

Step 2



 K x 4
 M3*10mm
H x 4

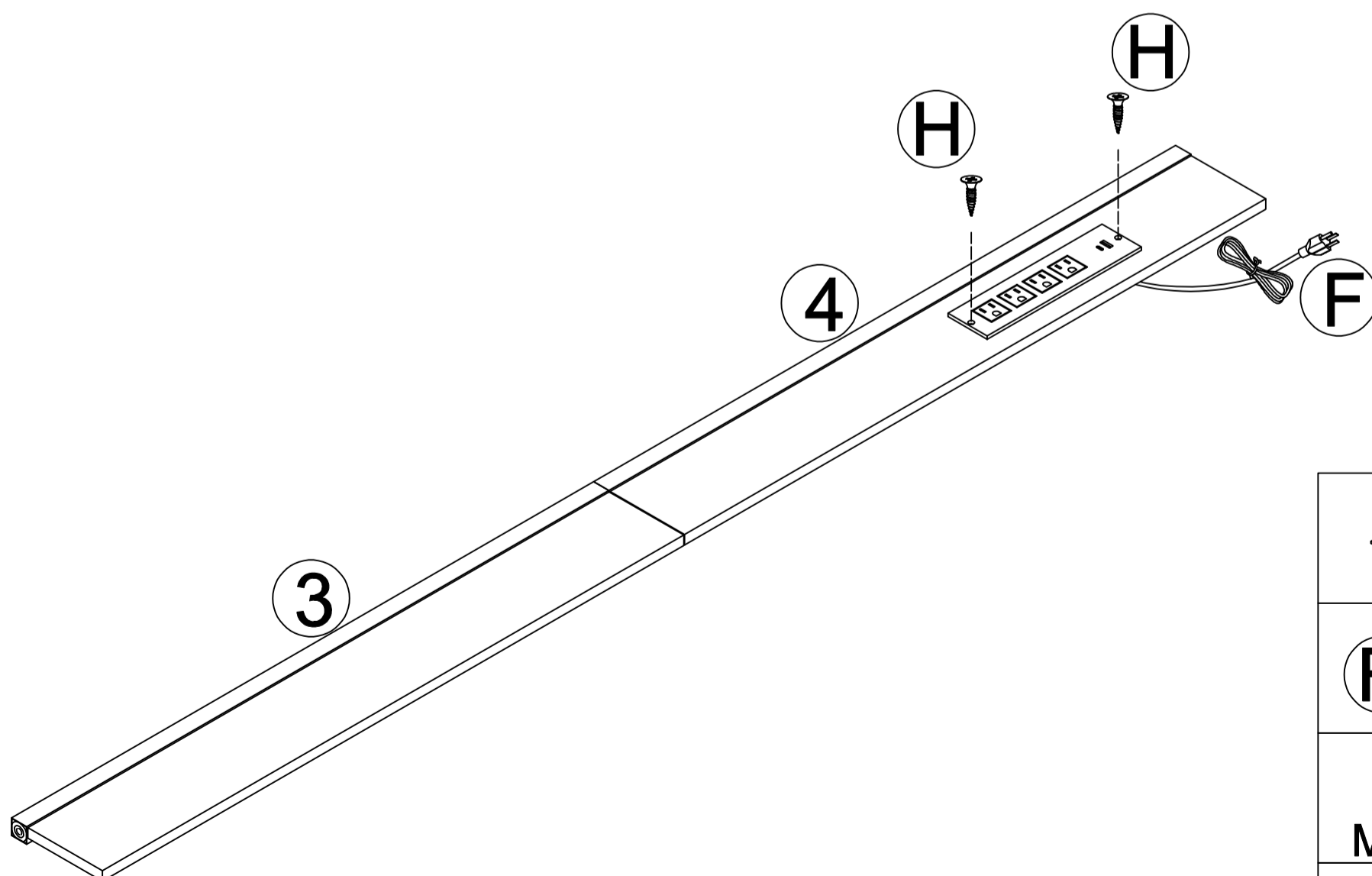
Step 3



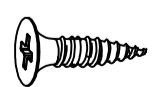
M6*10mm

D x 2

Step 4



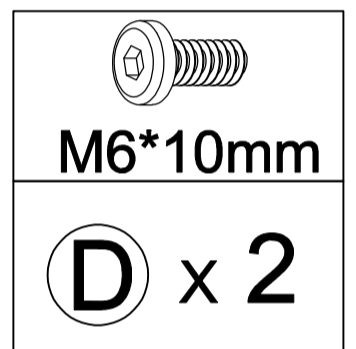
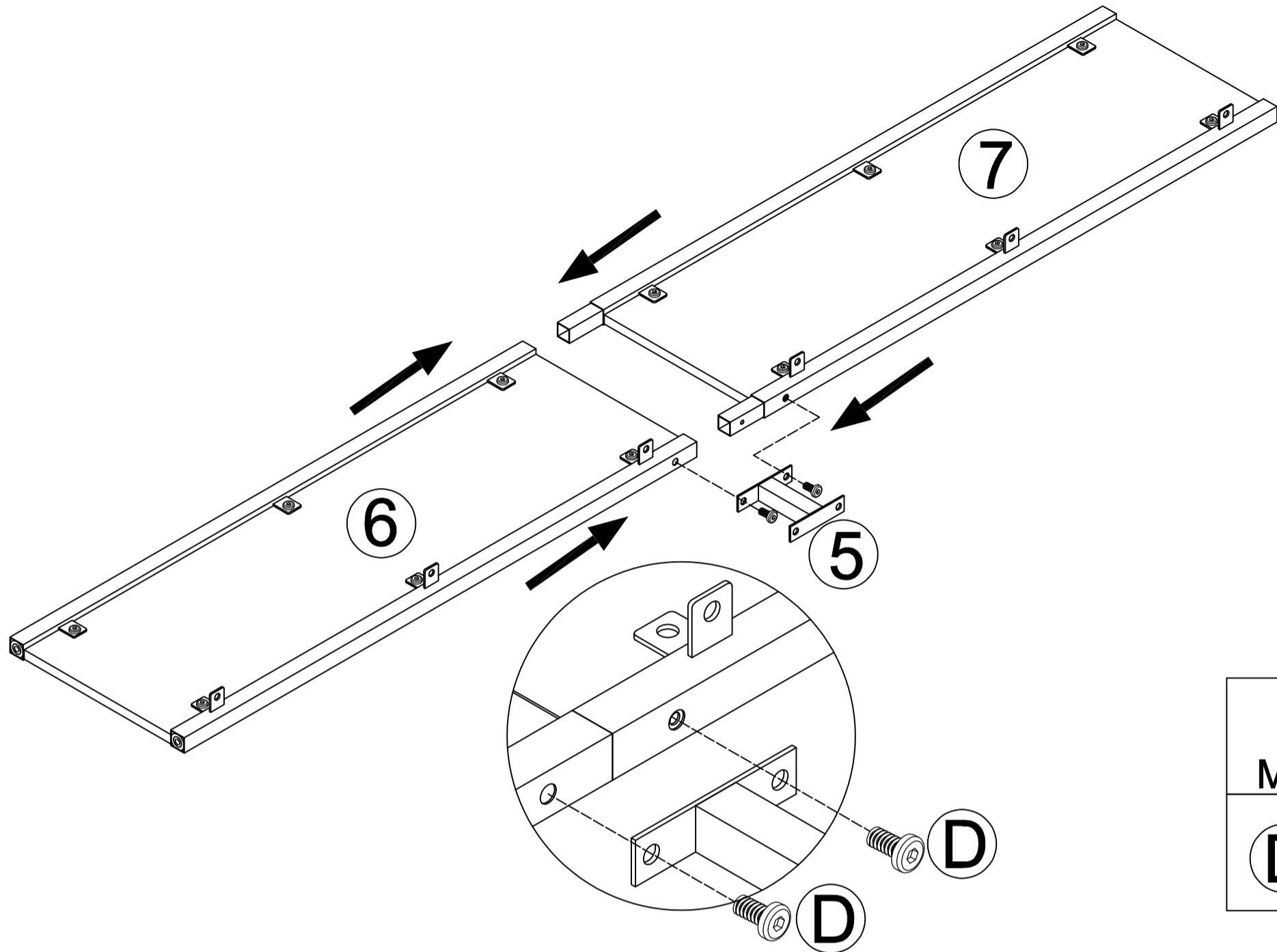
F x 1



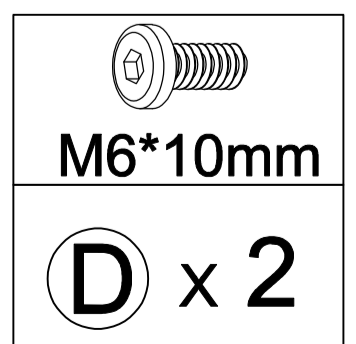
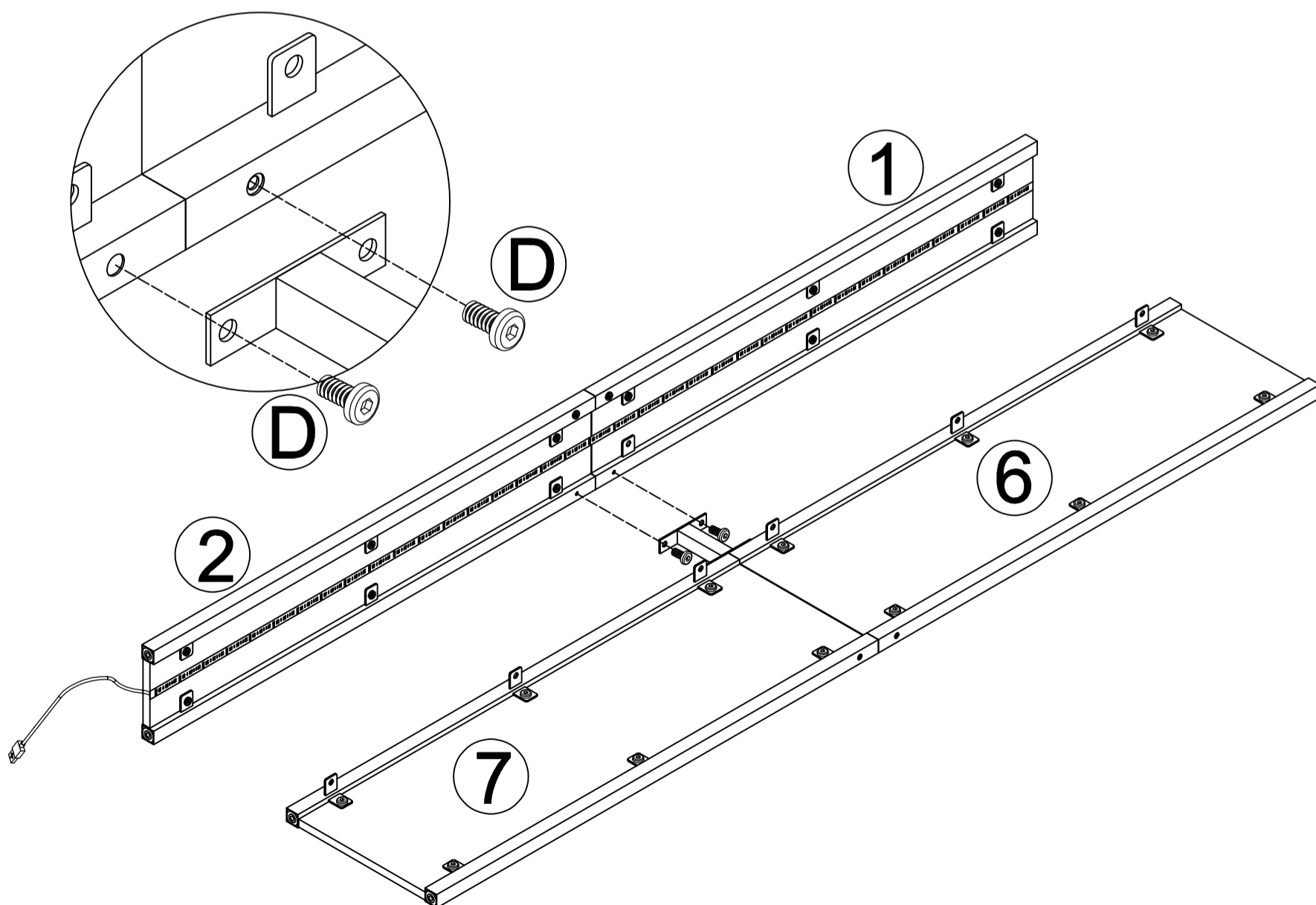
M3*10mm

H x 2

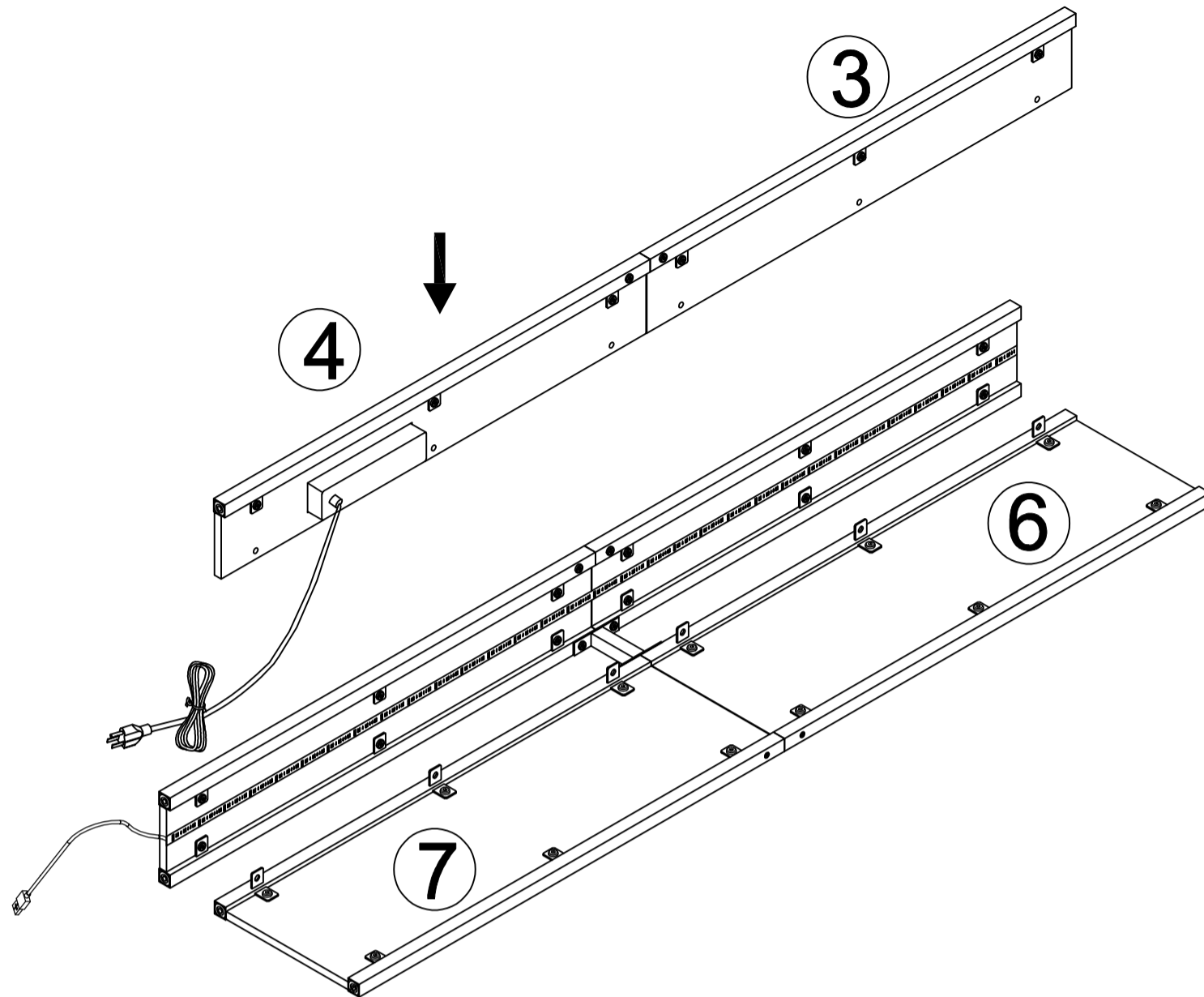
Step 5



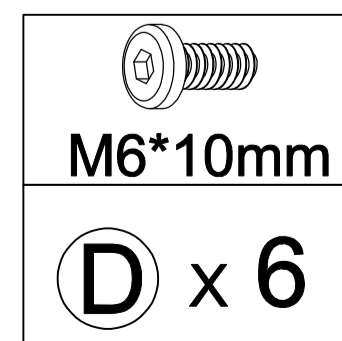
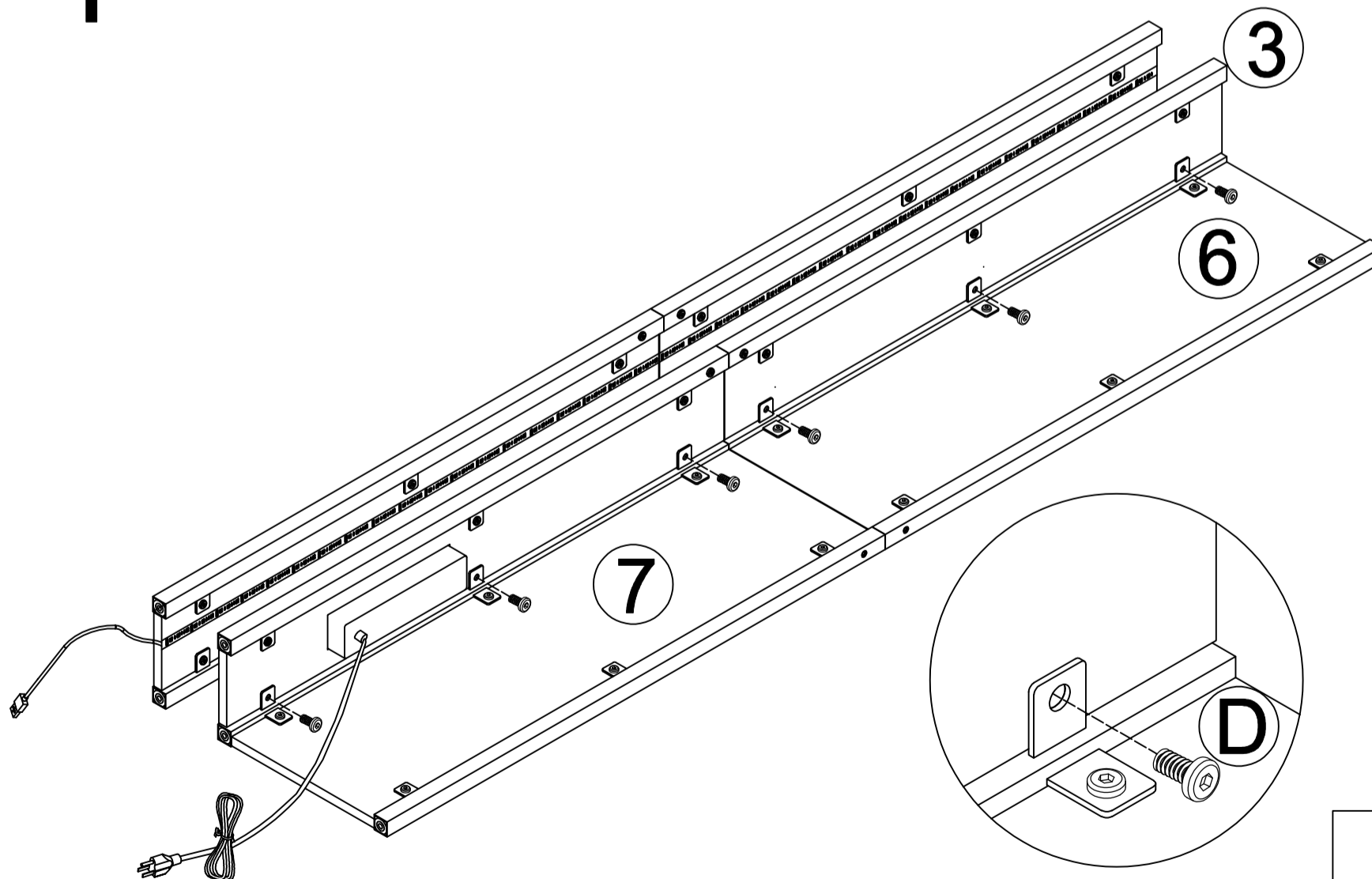
Step 6



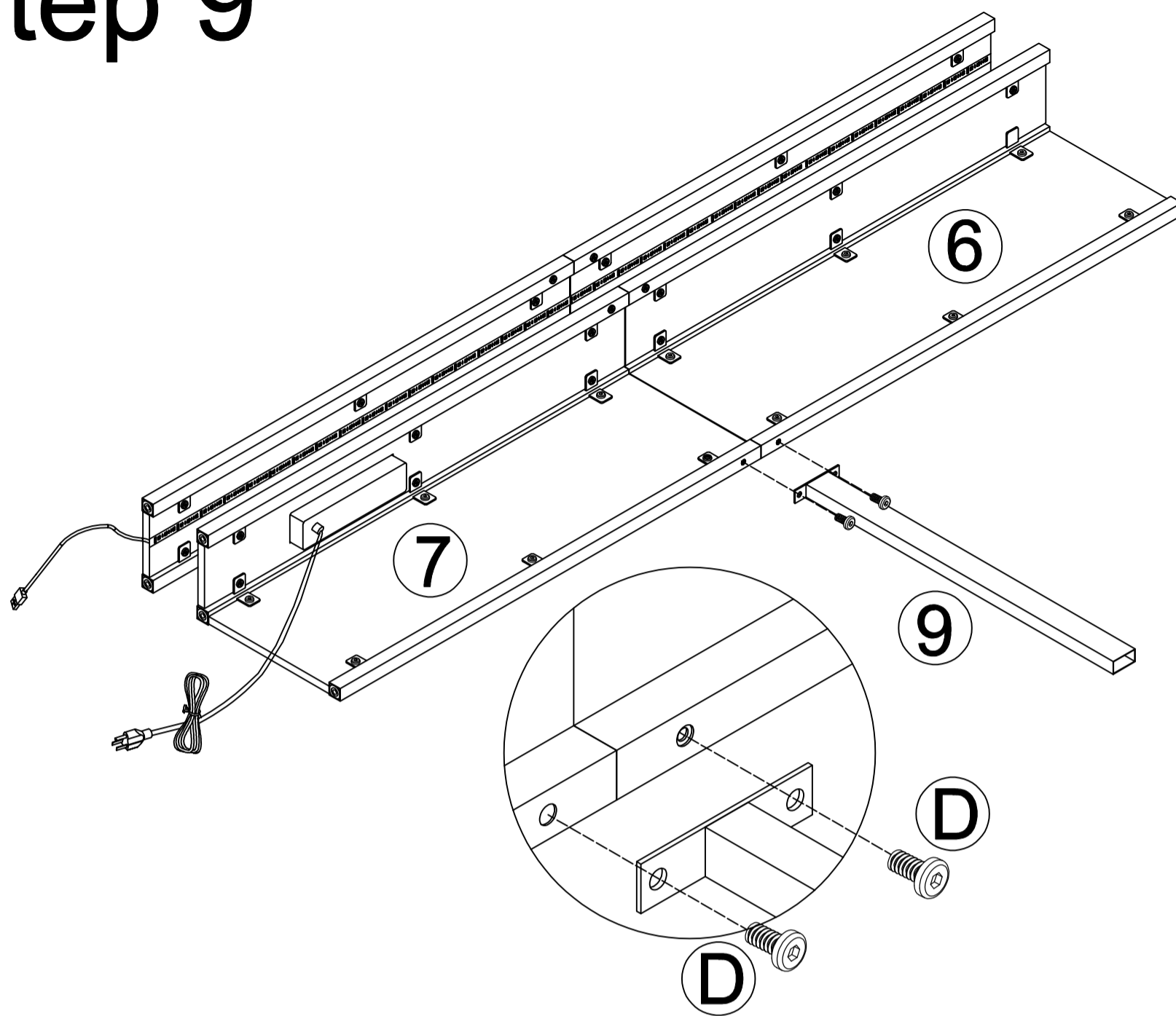
Step 7

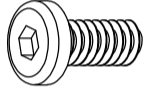


Step 8

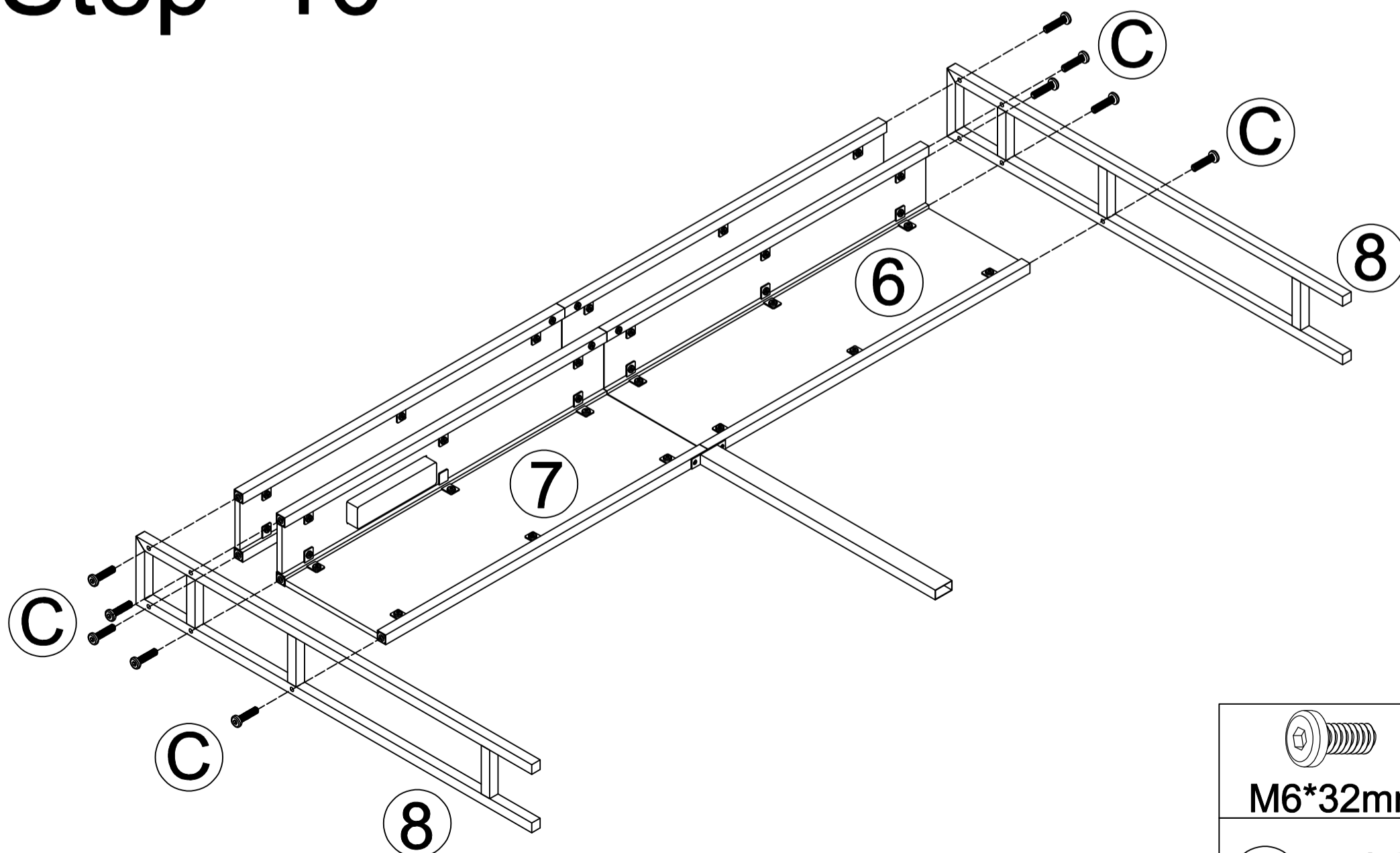


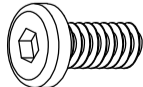
Step 9



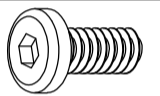
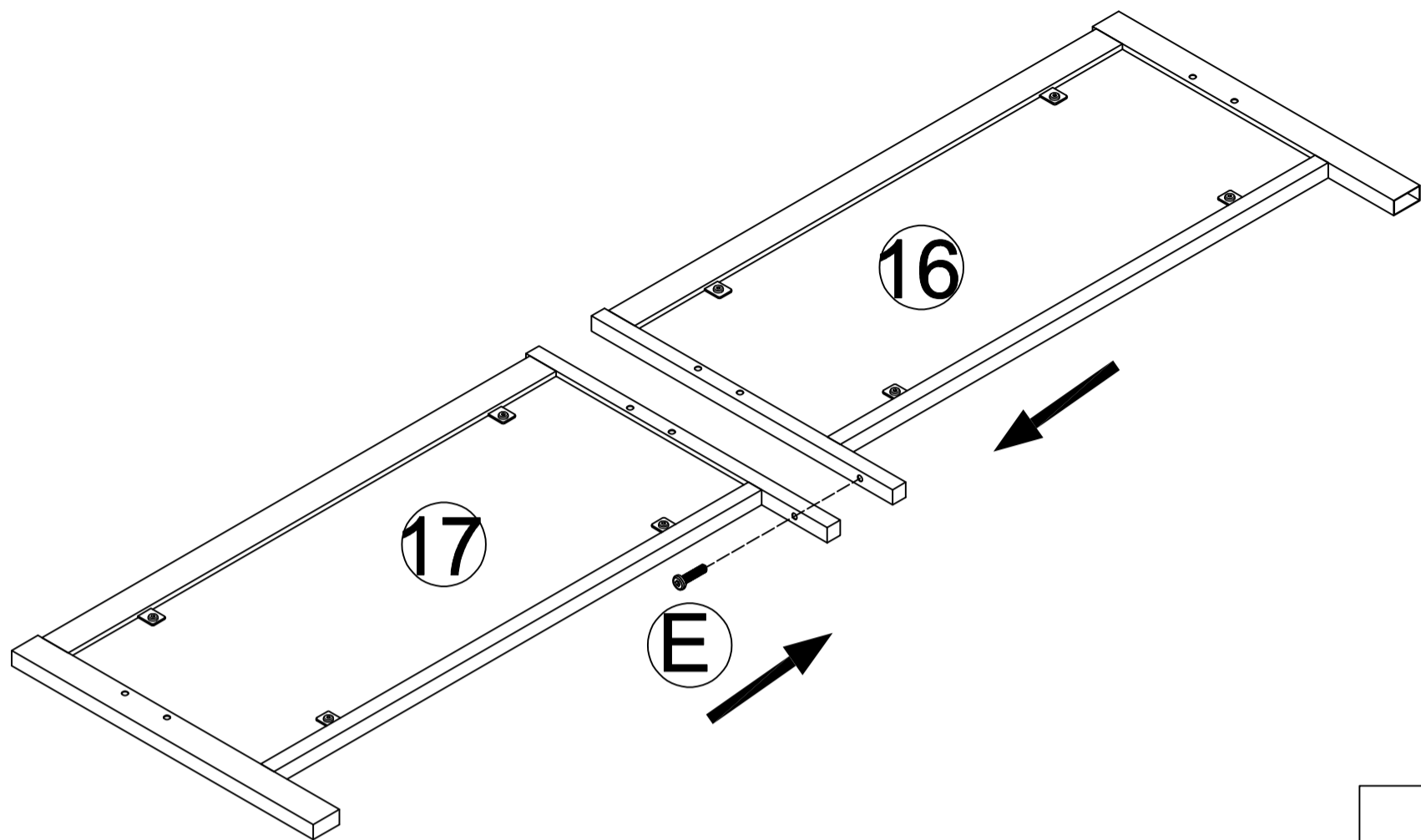

M6*10mm
(D) x 2

Step 10




M6*32mm
(C) x 10

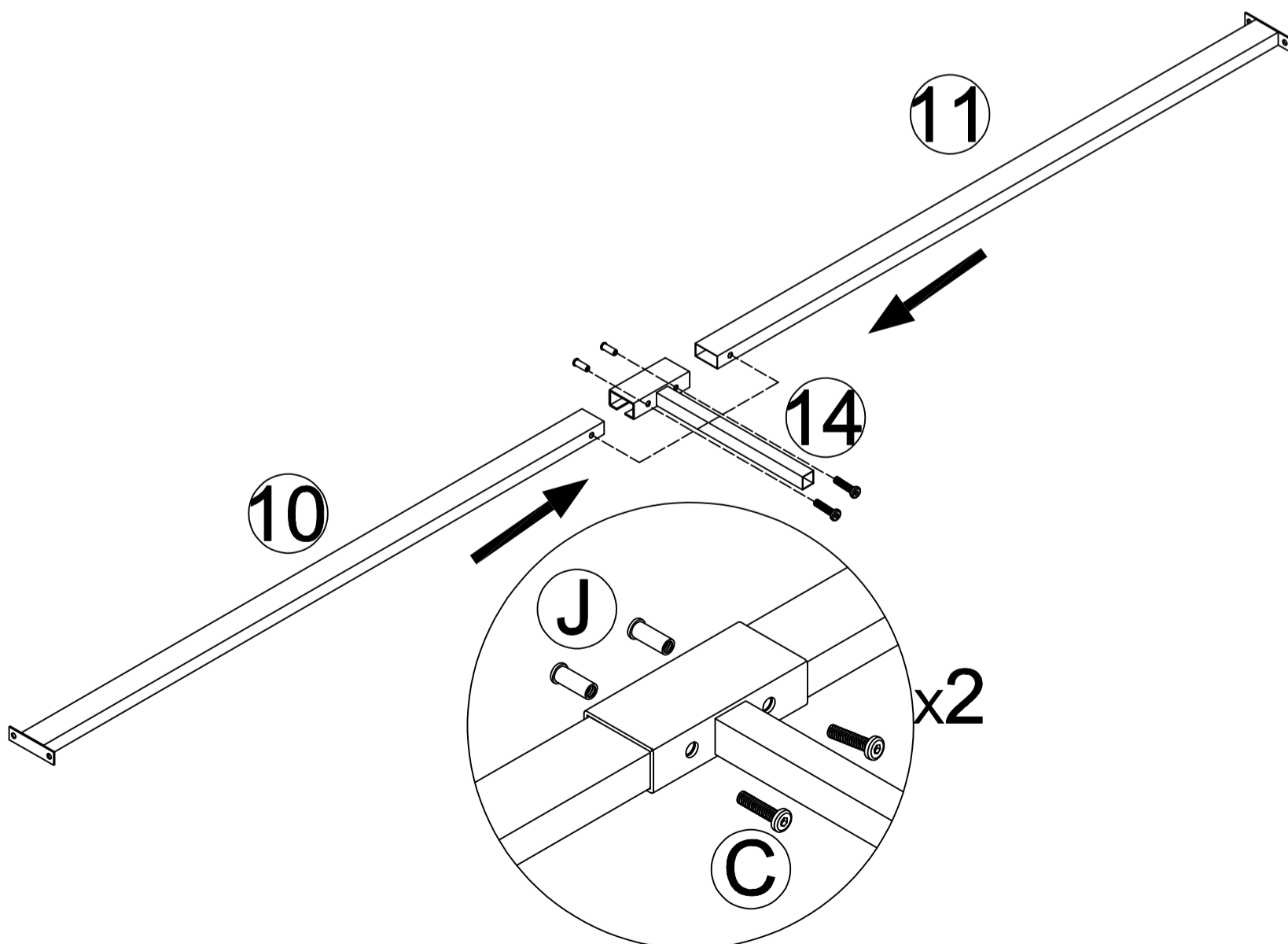
Step 11



M6*28mm

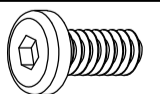
E x 1

Step 12



M6*20mm

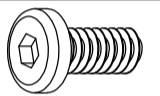
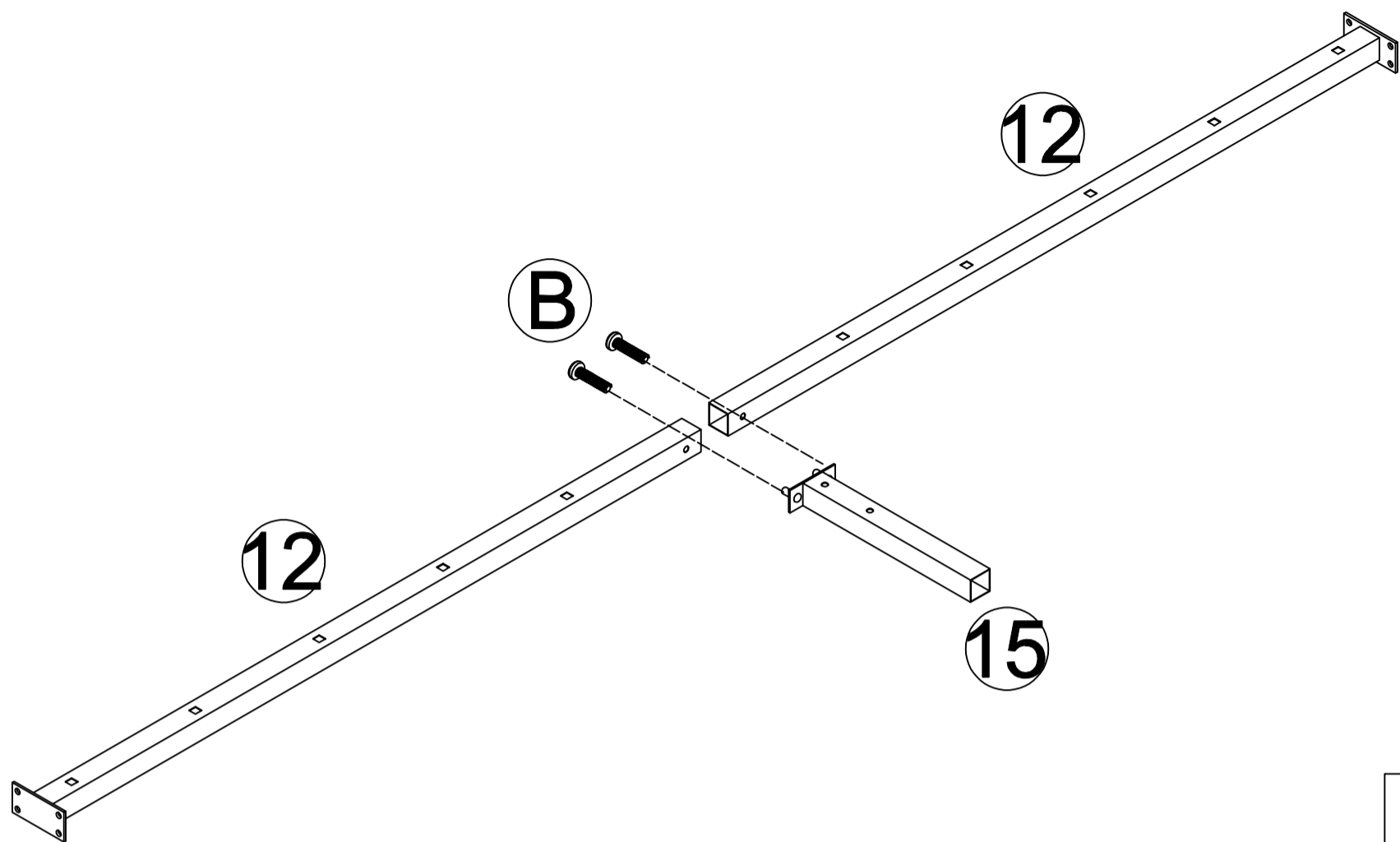
J x 4



M6*32mm

C x 4

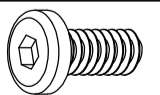
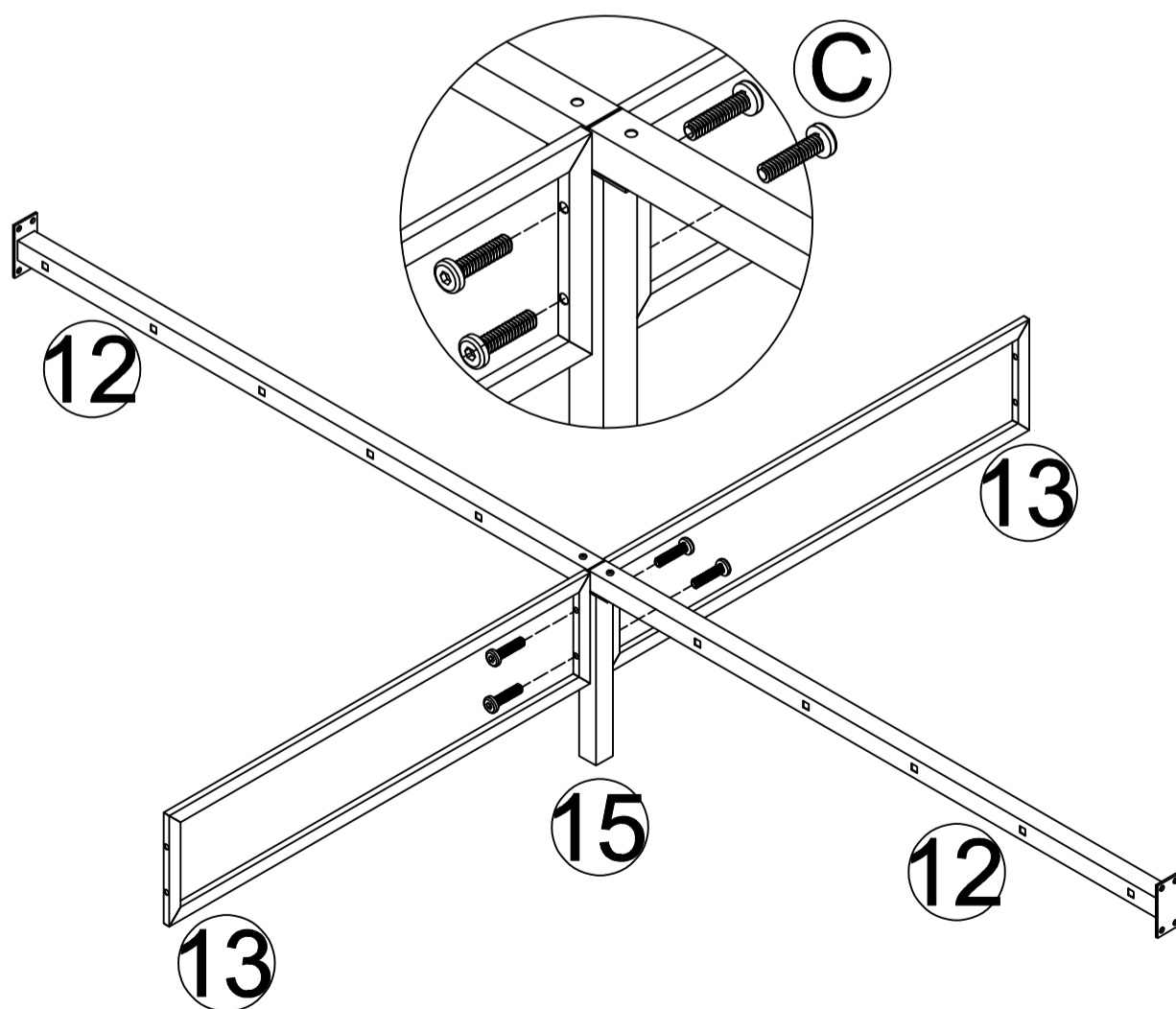
Step 13



M6*20mm

B x 2

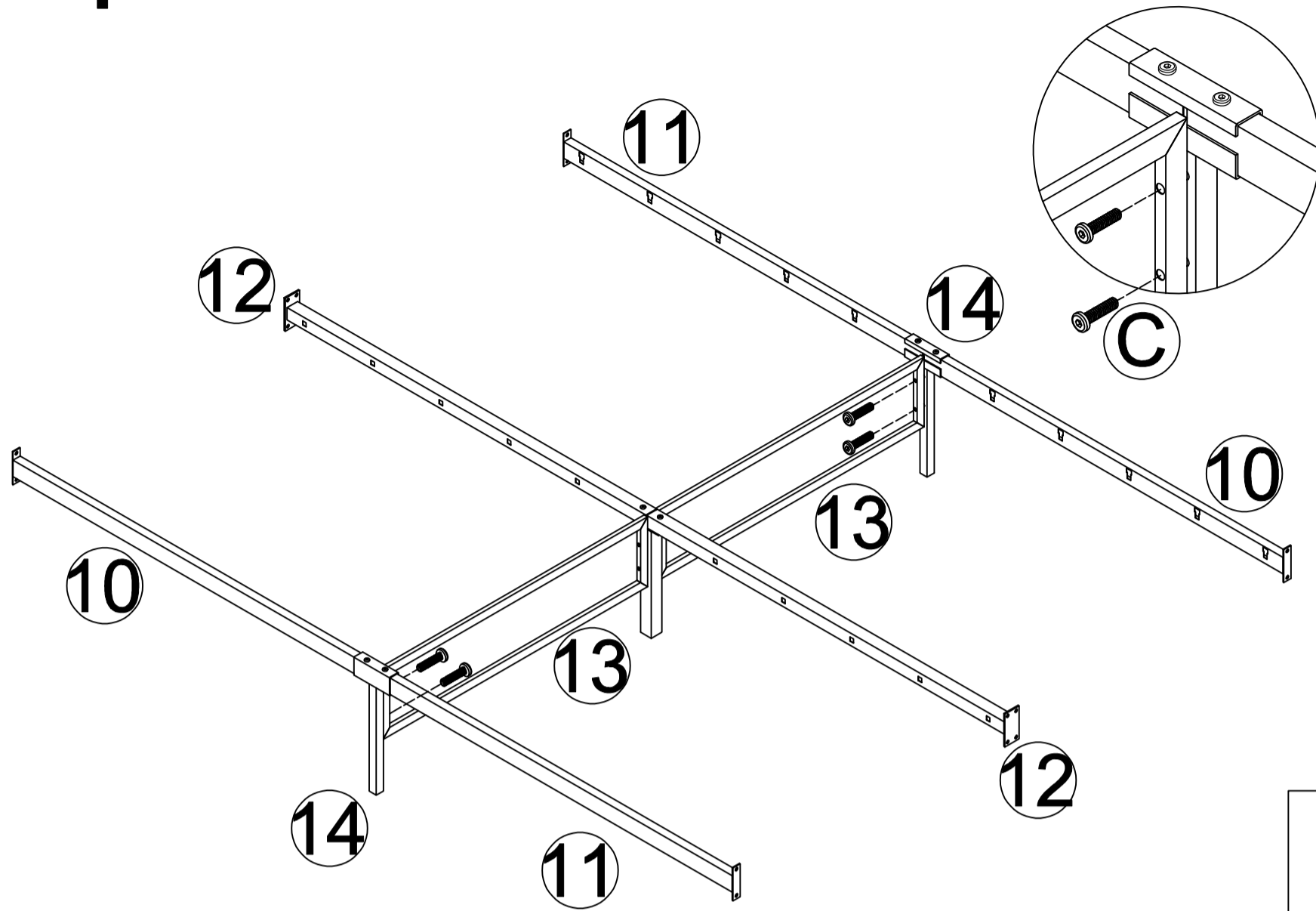
Step 14

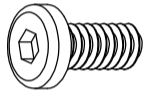


M6*32mm

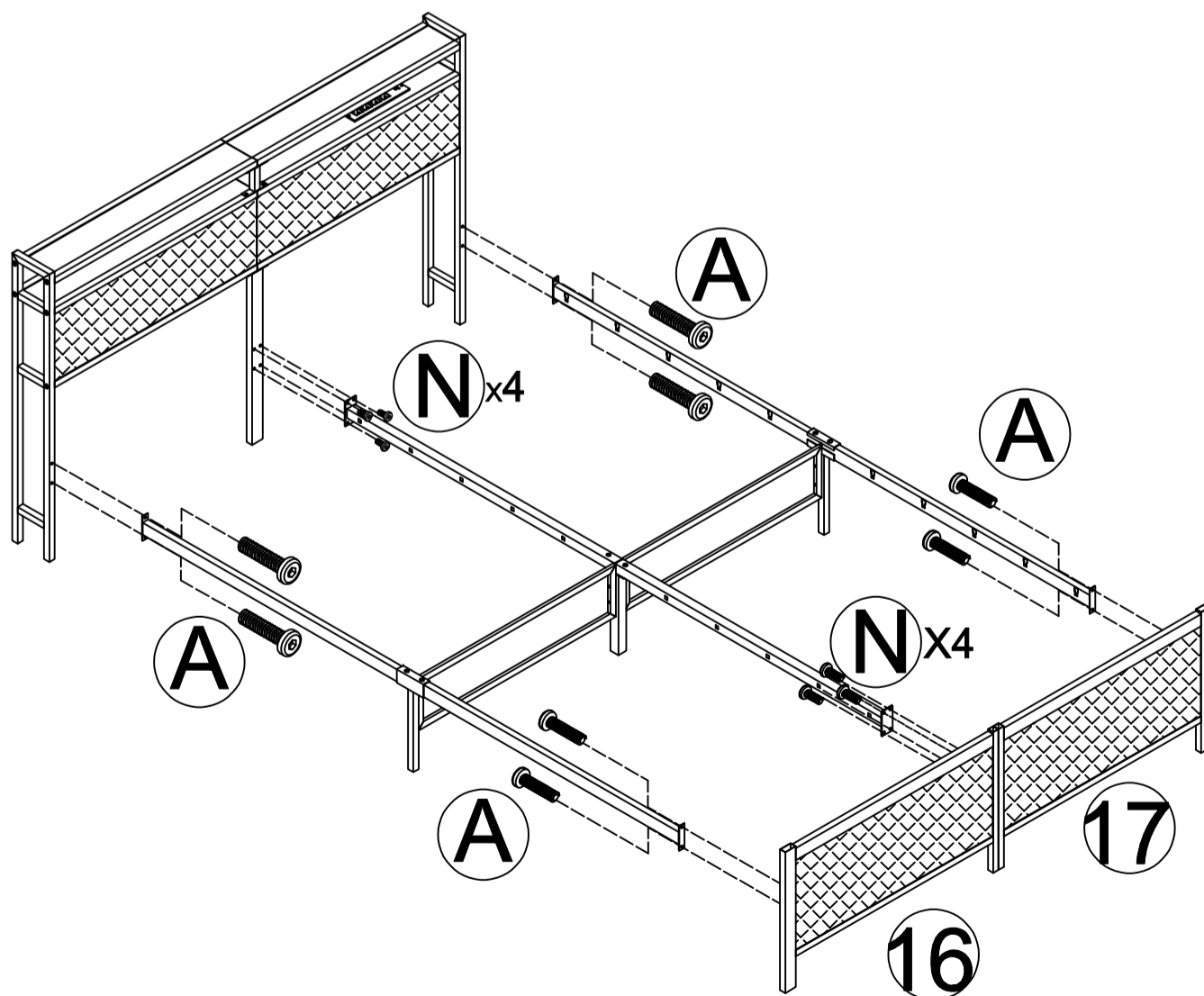
C x 4

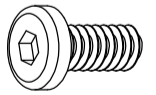
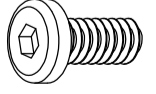
Step 15



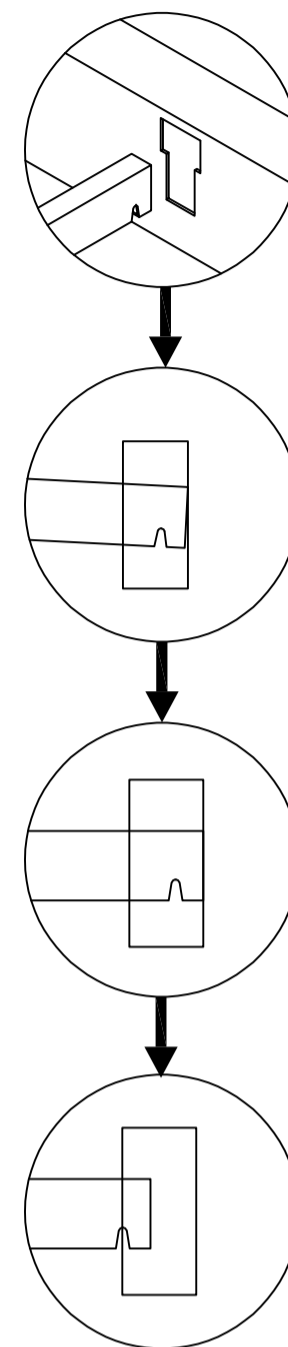
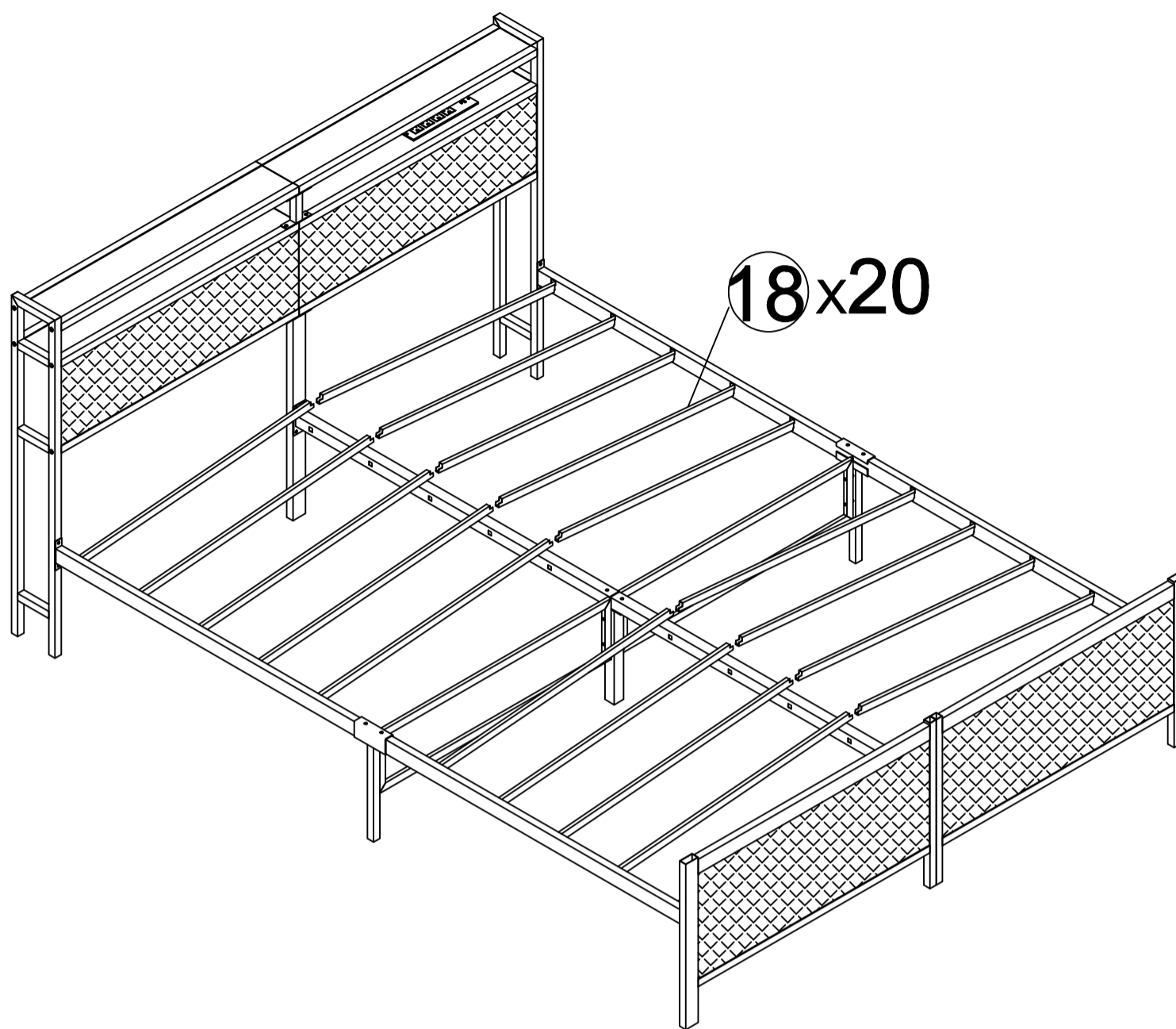

M6*32mm
C x 4

Step 16




M8*15mm
A x 8

M6*15mm
N x 8

Step 17



Step 18

