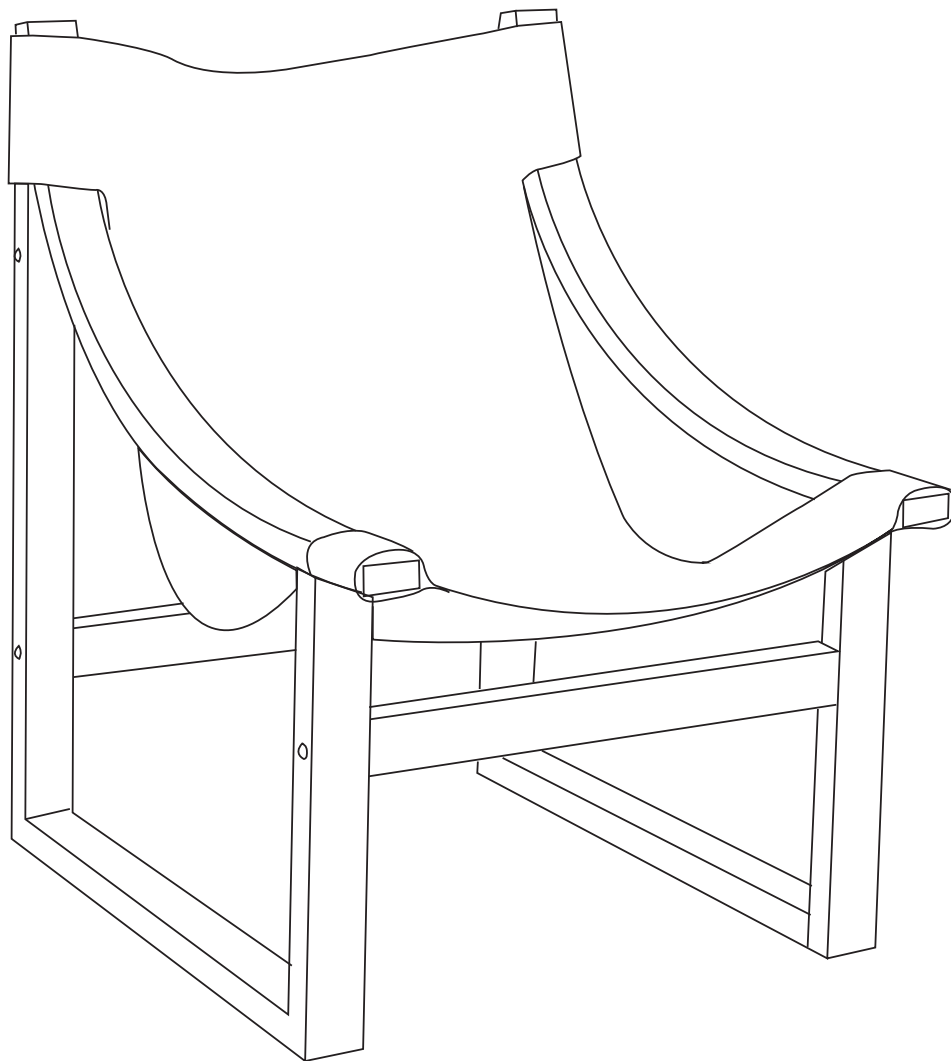
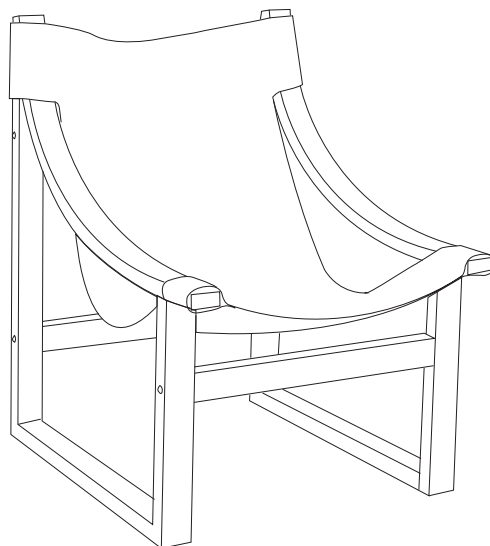


ASSEMBLY INSTRUCTIONS



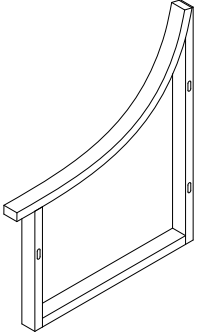
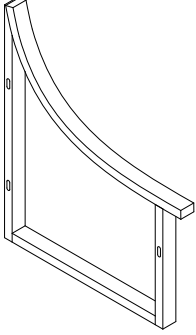
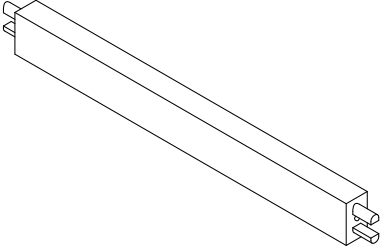
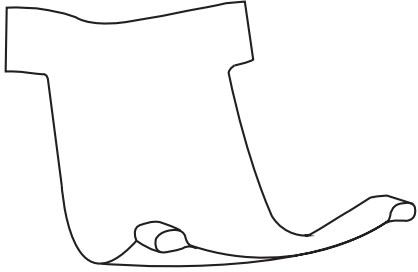
PARTS LIST FOR COMPLETE HARDWARE



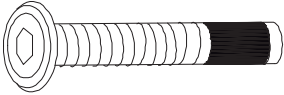
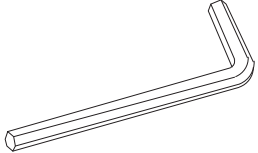
PRODUCT DETAILS

| | |
|------------------|-----------------------------------|
| FRAME | Oak Wood - Pressed Wood Veneer |
| MIDDLE STRETCHER | Oak Wood |
| COVER | Leather |
| PRODUCT SIZE | L 26.3" x W 28.3" x 37" H |
| CARTON SIZE | L 38.5" x W 6.6" x 33.9" H |
| NET WEIGHT | 20 LBS |
| GROSS WEIGHT | 27 LBS |

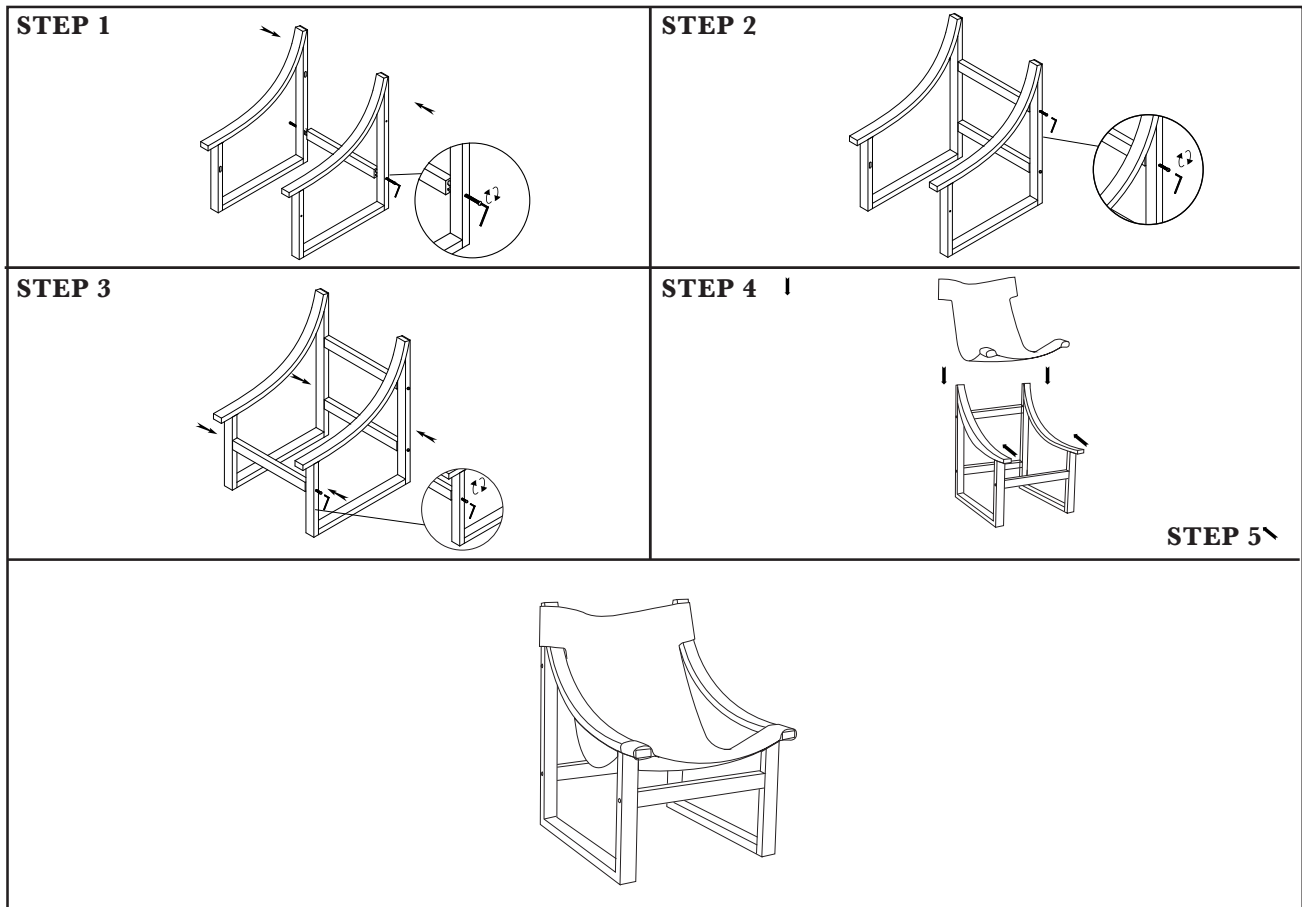
PARTS LIST

| | |
|--|---|
| <p>(A) RIGHT FRAME (1PC)</p>  | <p>(B) LEFT FRAME (1PC)</p>  |
| <p>(C) MIDDLE STRETCHER (3PCS)</p>  | <p>(D) LEATHER COVER (1PC)</p>  |

HARDWARE PACK

| NO. | DESCRIPTION | SIZE | Q'TY |
|-----|--|-----------|------|
| 1 |  <p>Long Bolt</p> | 8 x 80 mm | 6pcs |
| 2 |  <p>Allen Key</p> | 3/16" | 1pc |

ASSEMBLY INSTRUCTIONS



Step 1, Step 2, Step 3

Attach Middle Stretchers (**C**) to Right frame (**A**) and Left frame (**B**) with Long Bolt (**1**).

Tighten with Allen Key (**2**) (provided) .

*Don`t fully tighten bolts until the entire is completely assembled.

Step 4

Insert Leather Cover (**D**) over the four corners of the frame.

Product assembly is now completed.