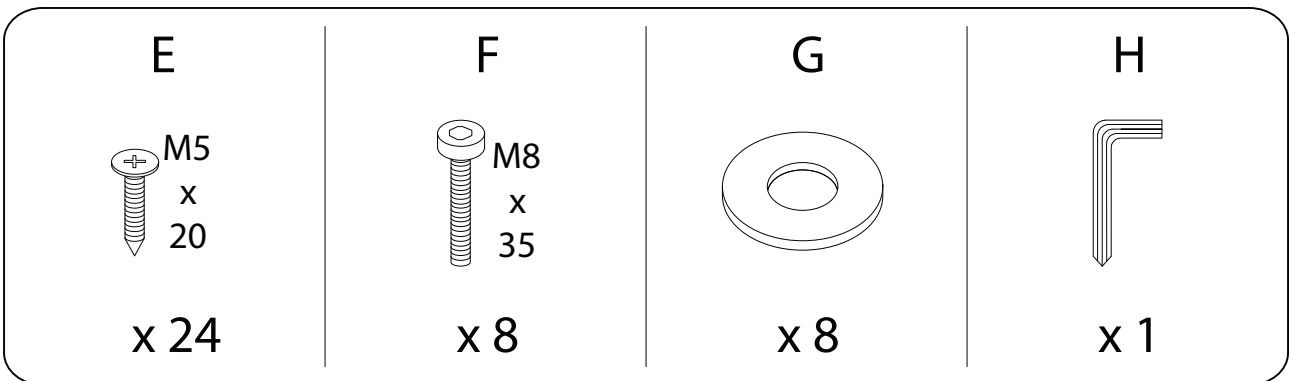
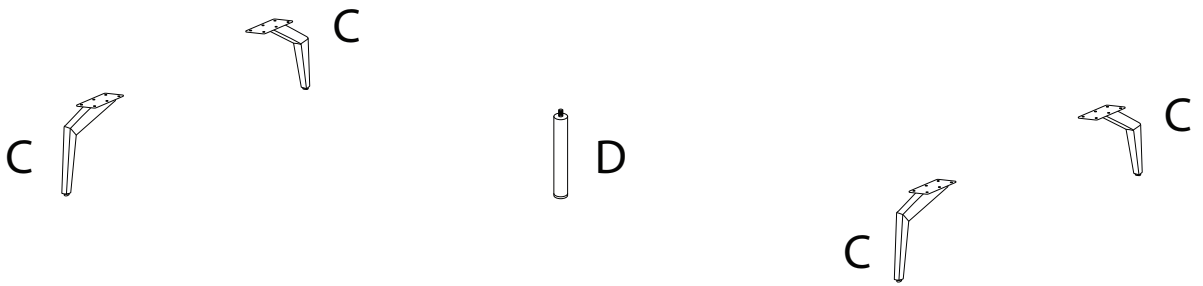
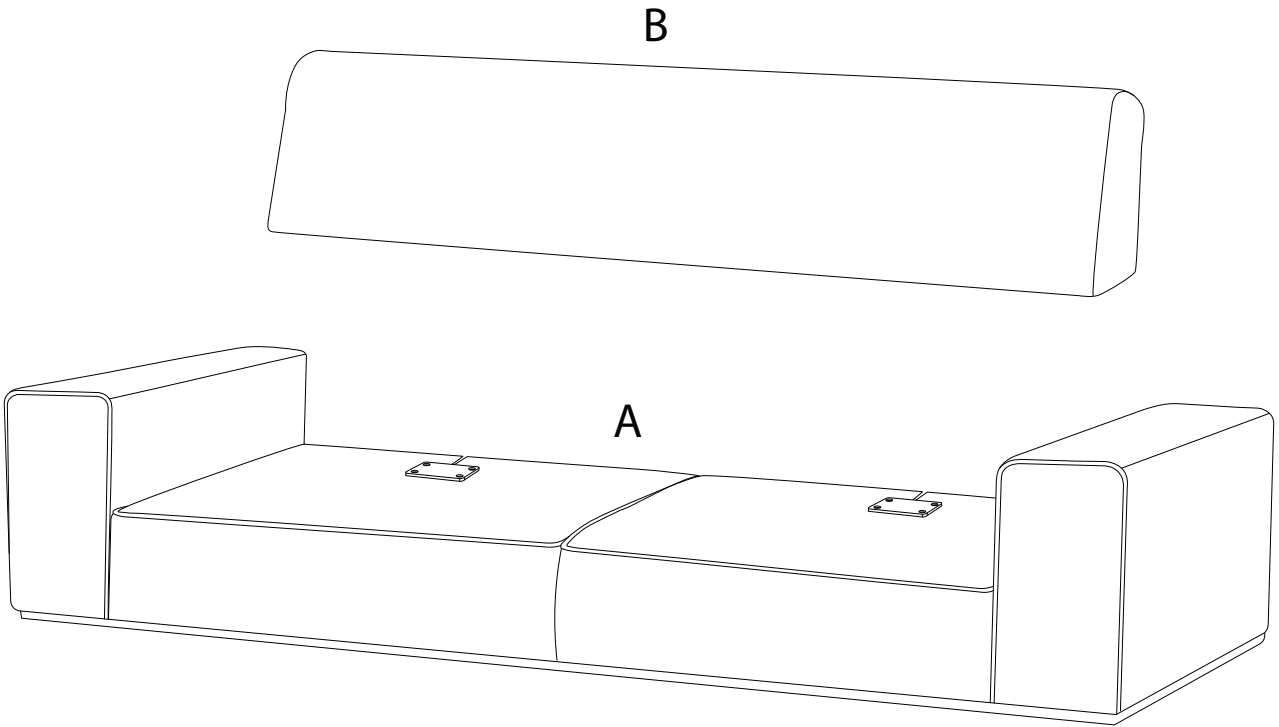
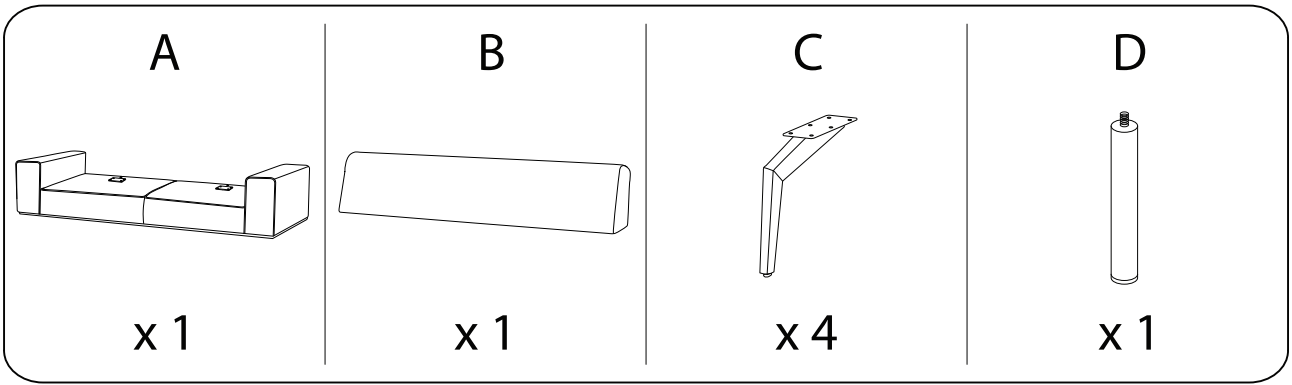


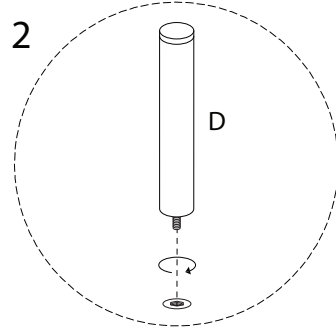
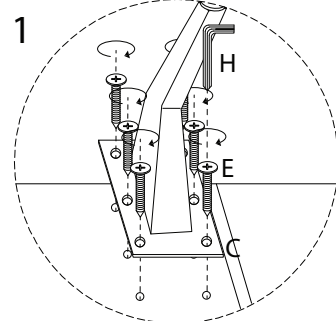
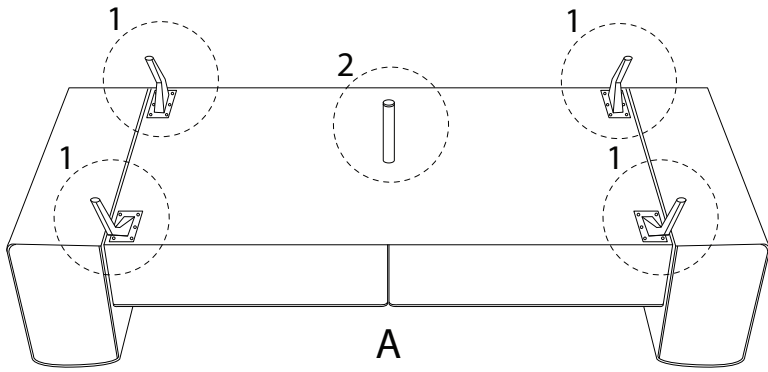
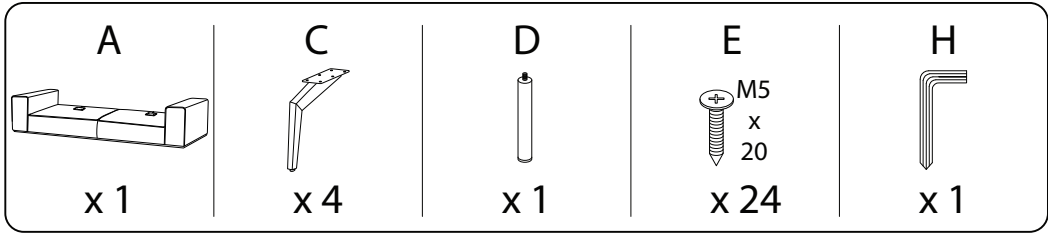
An icon showing an L-shaped metal bracket inside a circle, and a power drill with a diagonal line through it, indicating that a power drill should not be used for this step.	A warning triangle icon with an exclamation mark inside.	A clock icon showing approximately 45 minutes.
An icon showing a rectangular block on a mat with a diagonal line through it, and a block with a screw being inserted, indicating that a screw should not be used for this step.	A warning triangle icon with an exclamation mark inside.	An icon of a person, representing the number of people required for the step.

45'

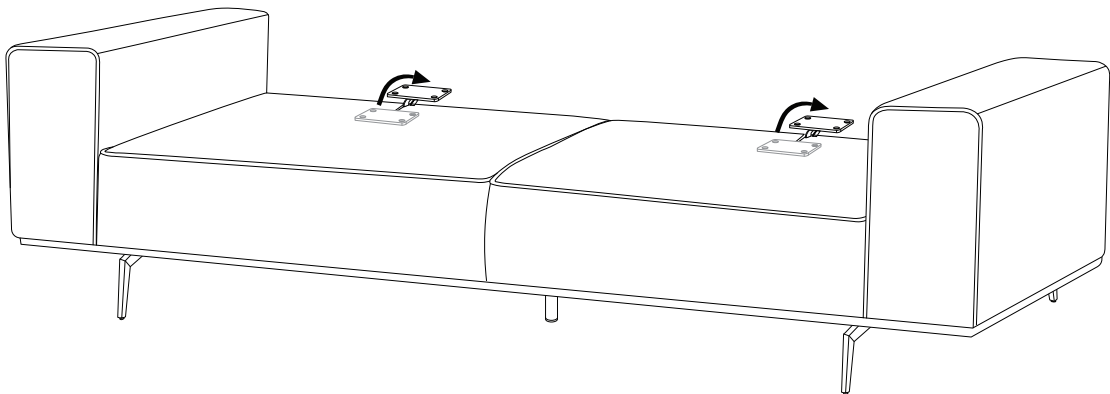
2



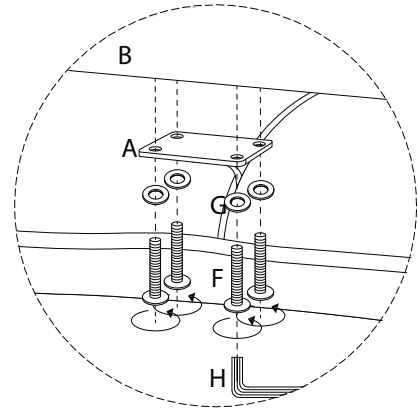
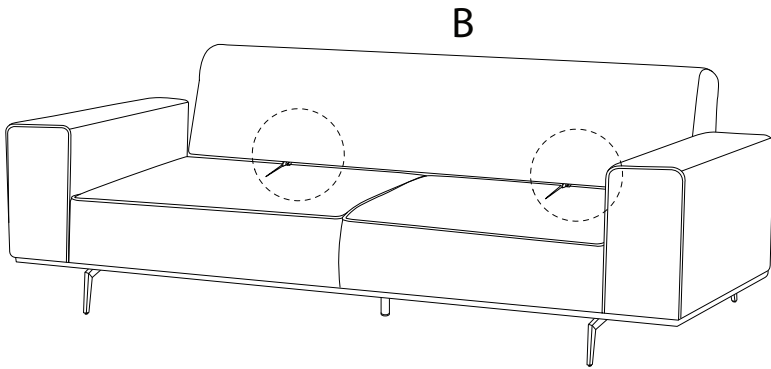
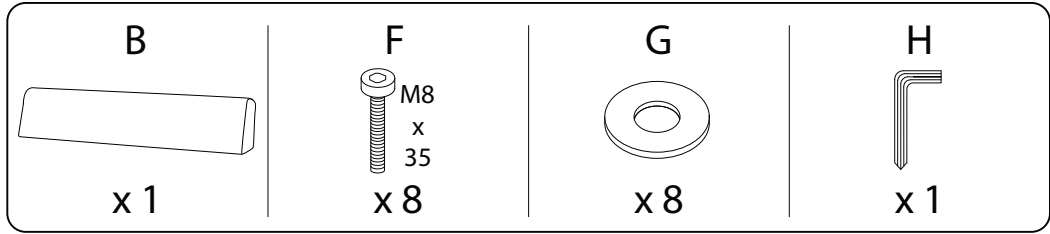
1



!



2



!

