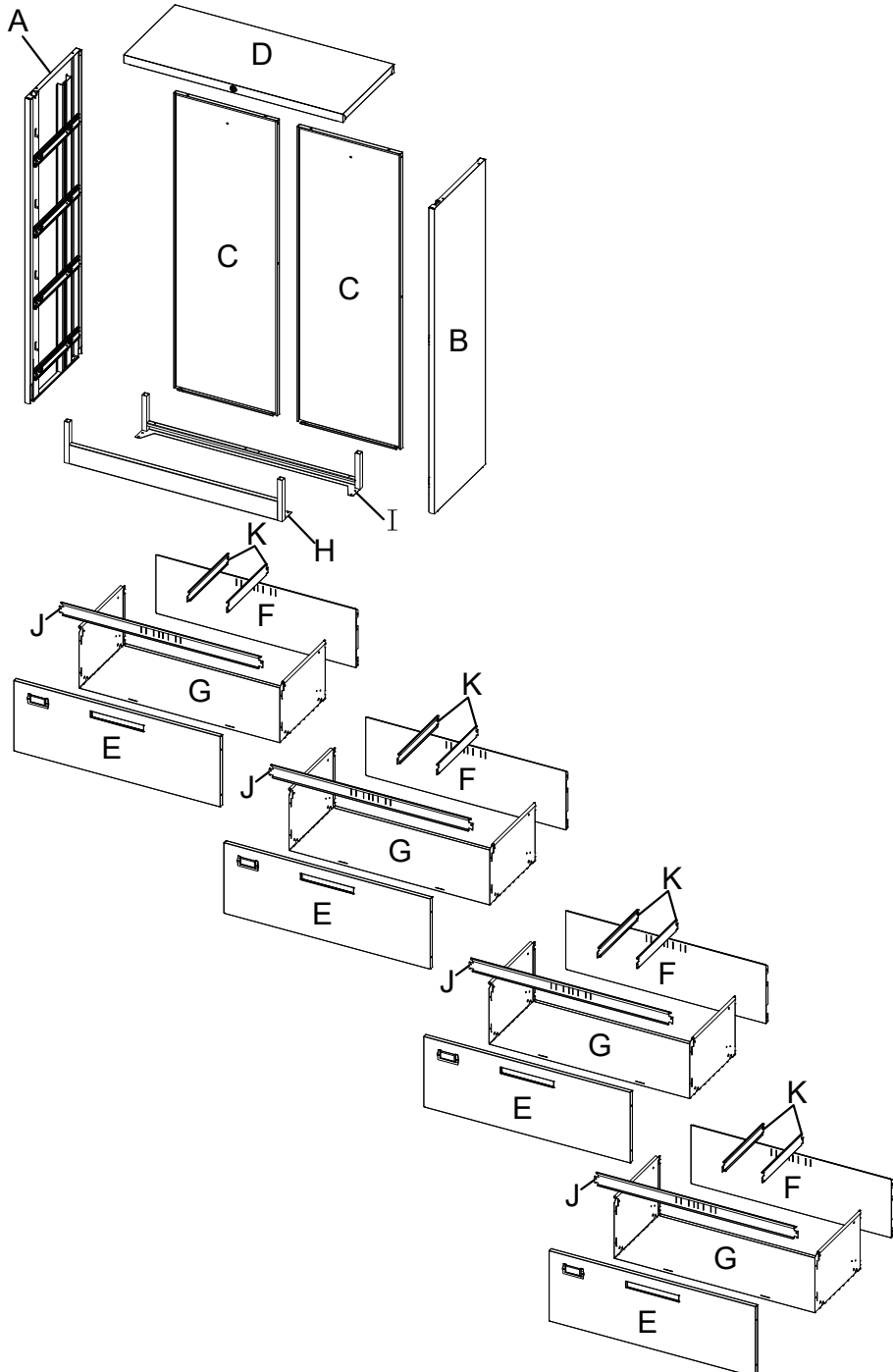
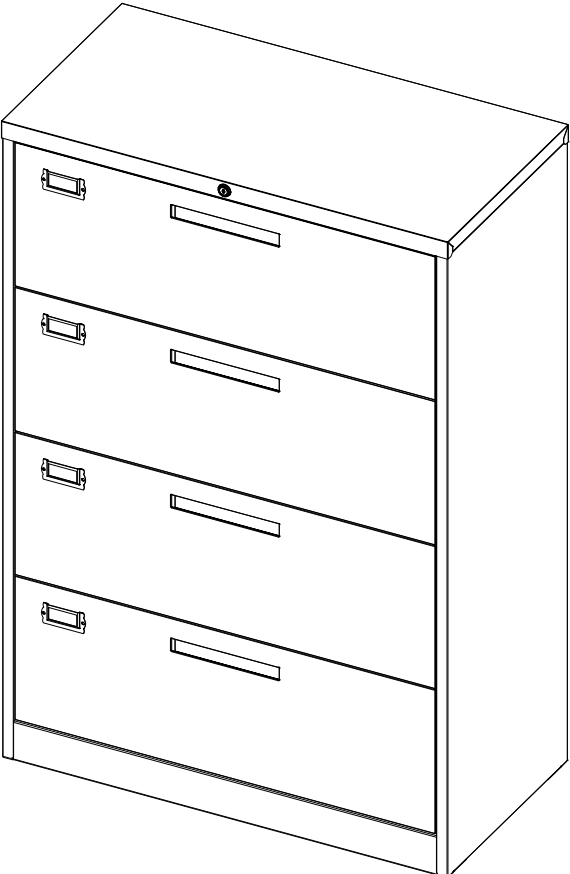
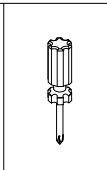
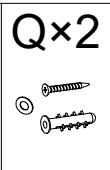
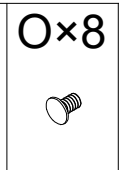
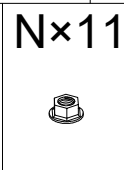
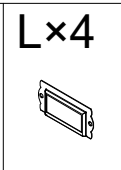
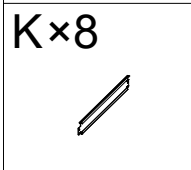
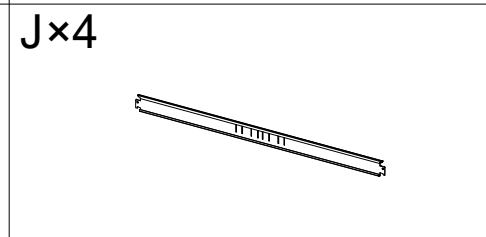
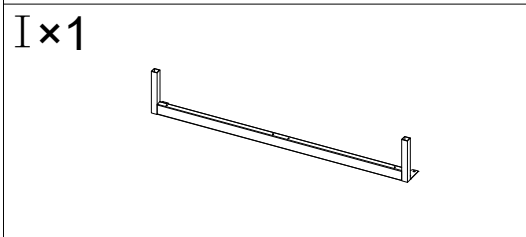
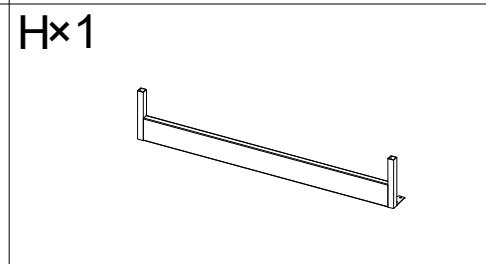
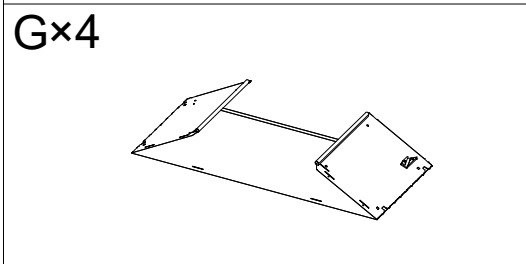
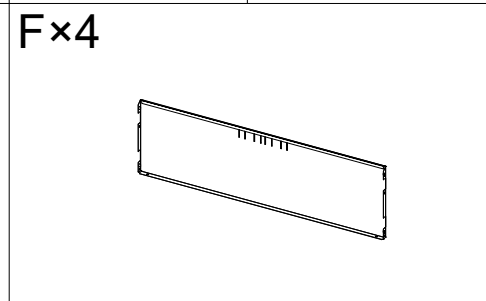
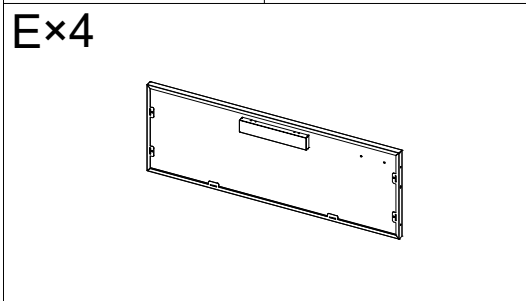
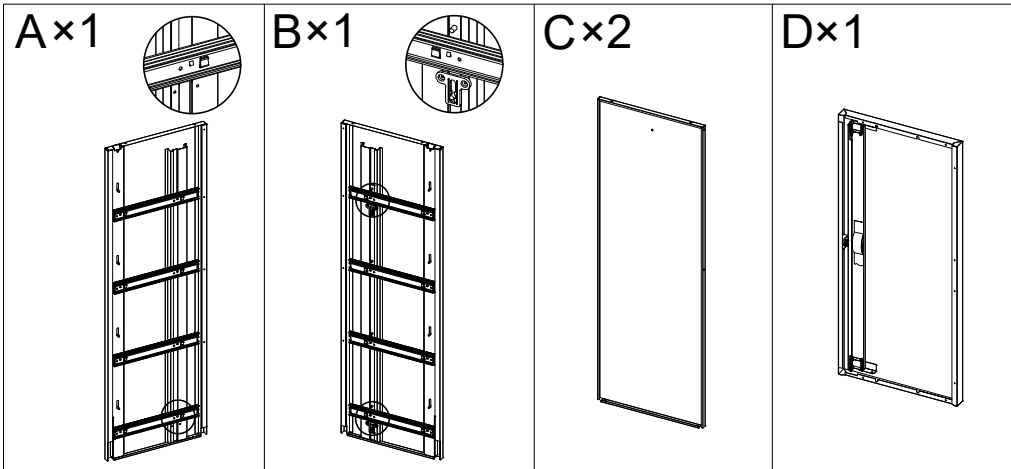
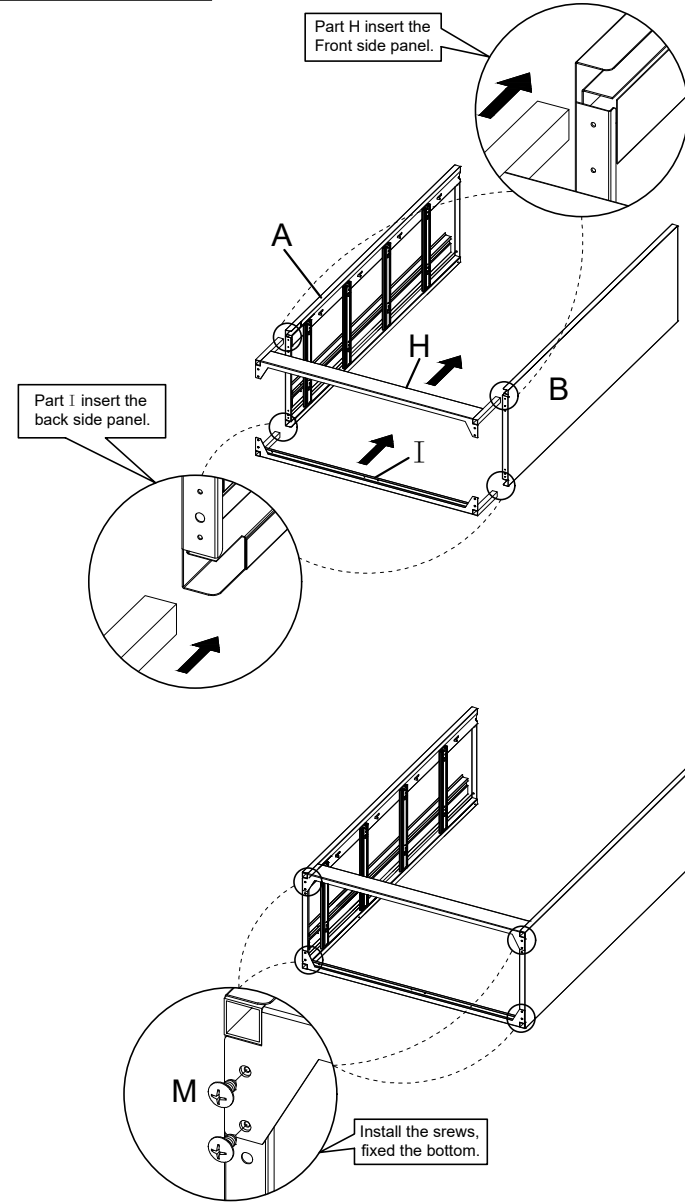


4 Drawer Lateral File Cabinet Installation Instructions

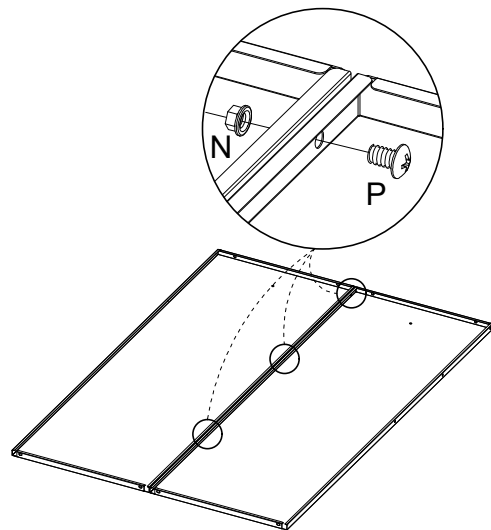
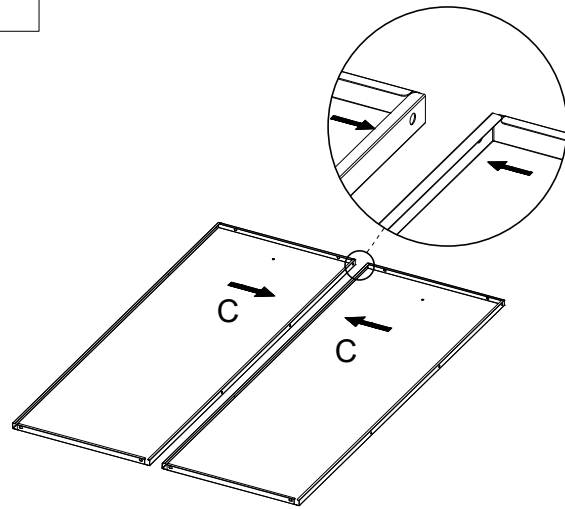




step 1



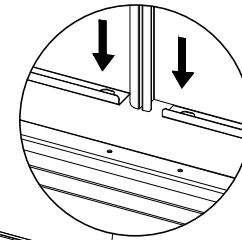
step2



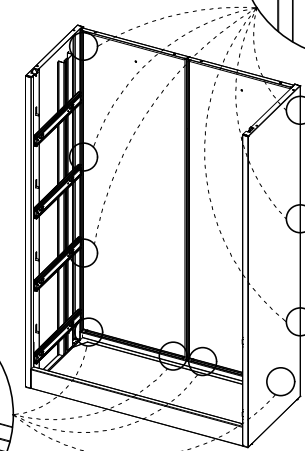
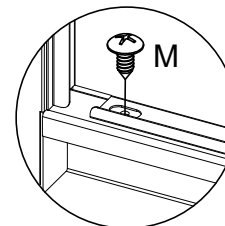
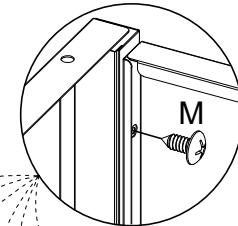
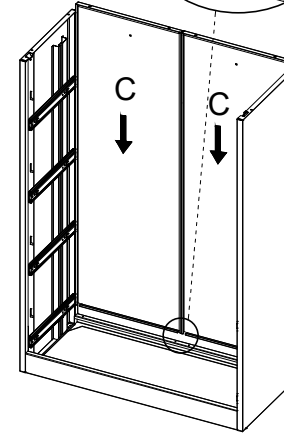
 N×3

 P×3

step3



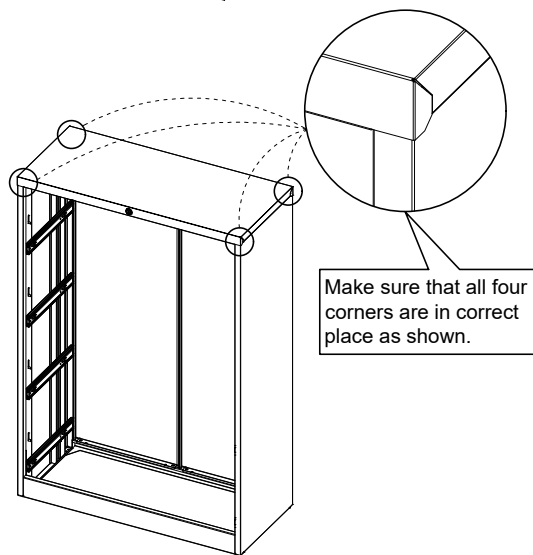
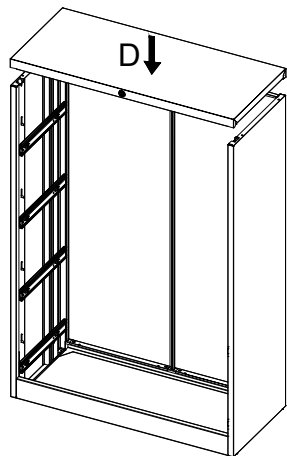
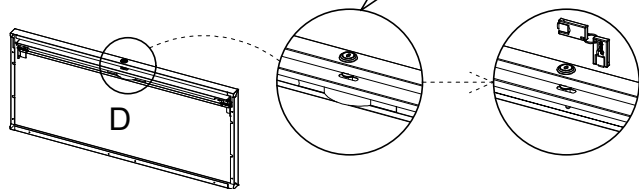
Insert the back plate assembled in the previous step as shown. Take care to distinguish between the top and bottom of the Back Plate.



 M×10

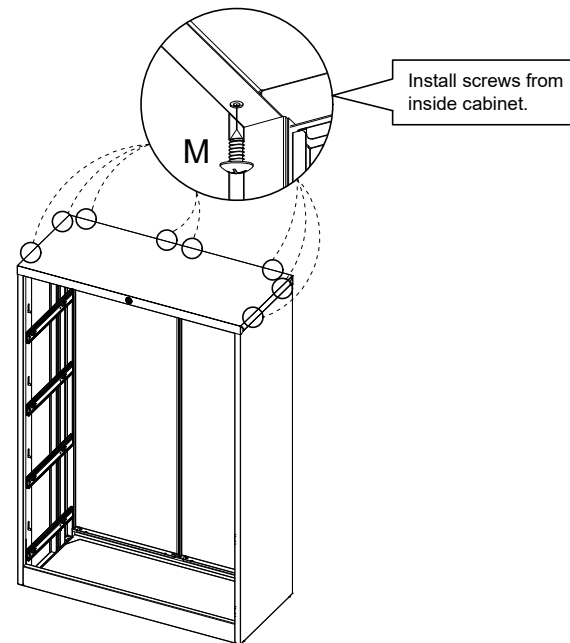
step4

Tear off the tape, cut the ribbon, and take out the key.



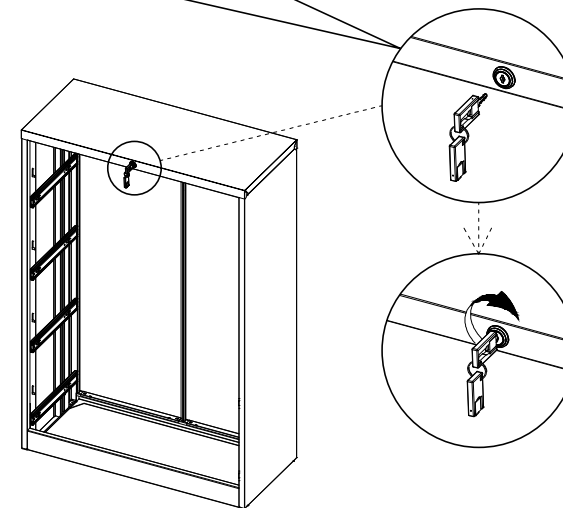
Make sure that all four corners are in correct place as shown.

step5



Install screws from inside cabinet.

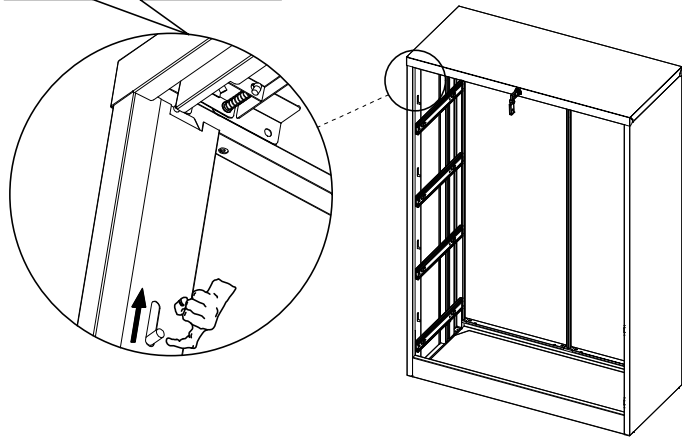
Insert the key removed from Step 4 into the lock hole and turn it clockwise 180°. The lock is now open.



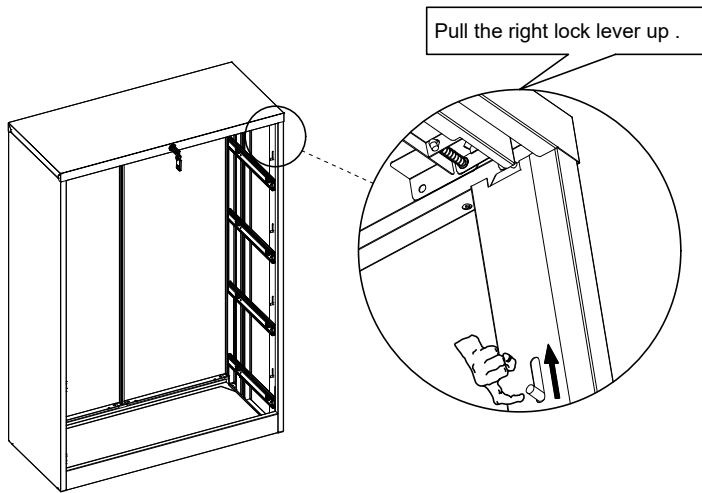
M×8

step6

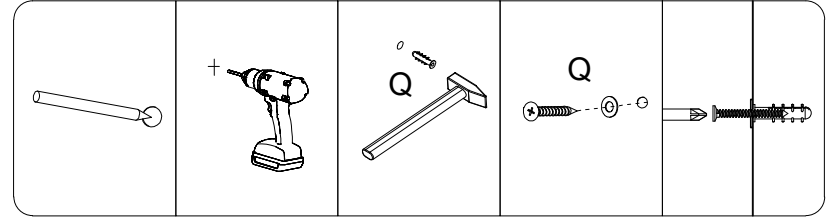
Pull the left lock lever up .



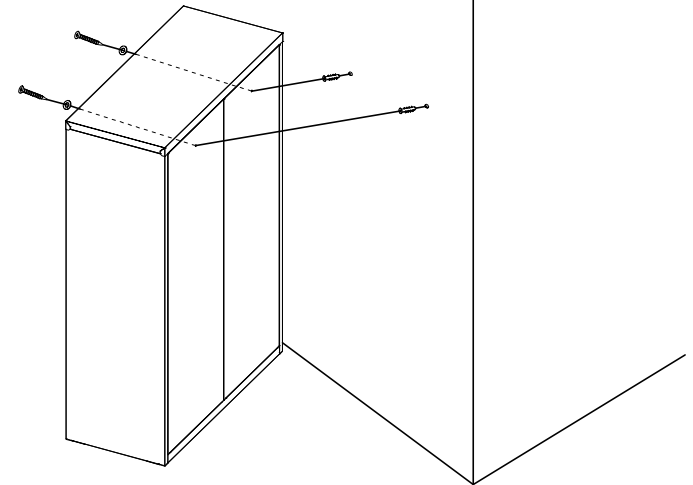
Pull the right lock lever up .



step7

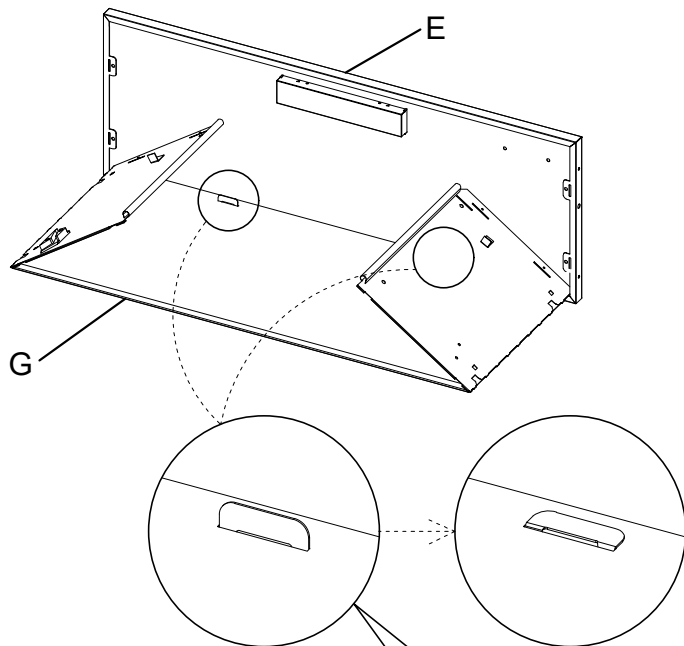
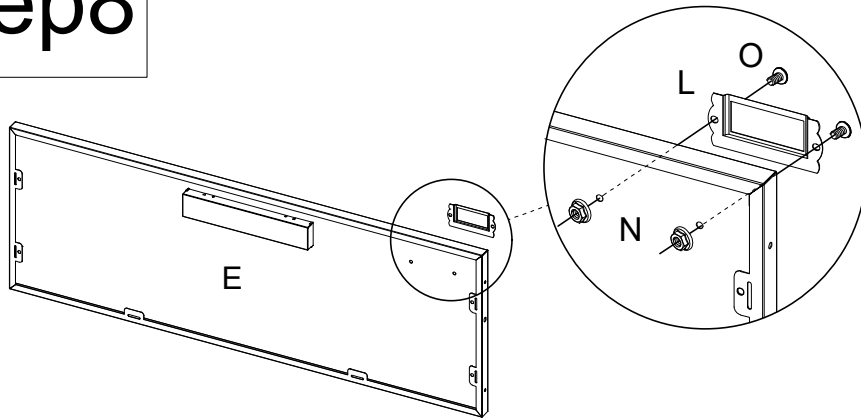


Wall



  **Q×2**

step8



Install the drawer bend the buckle at the bottom position.



L×1

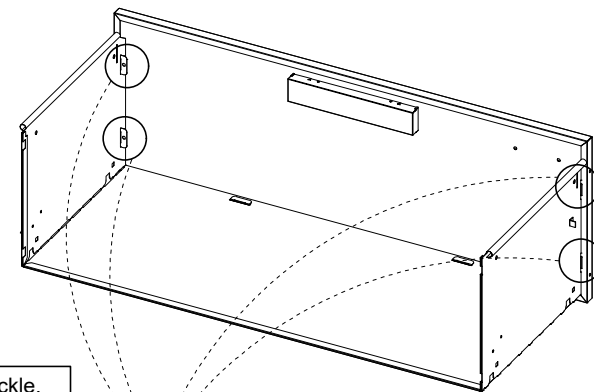
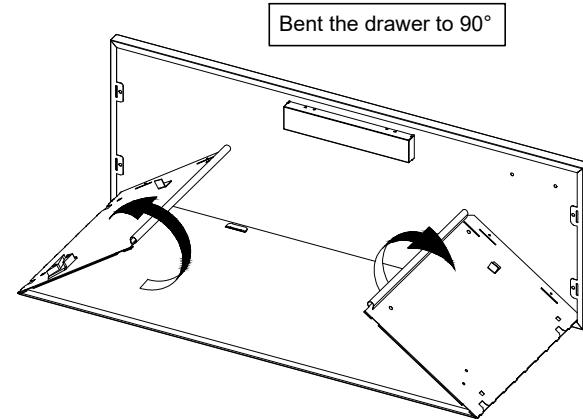


N×2

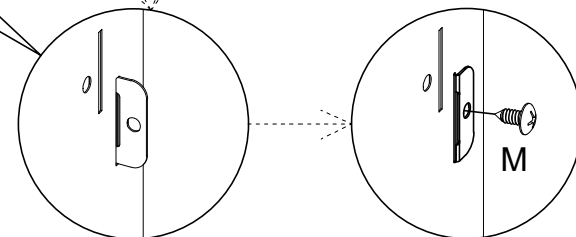


O×2

step9

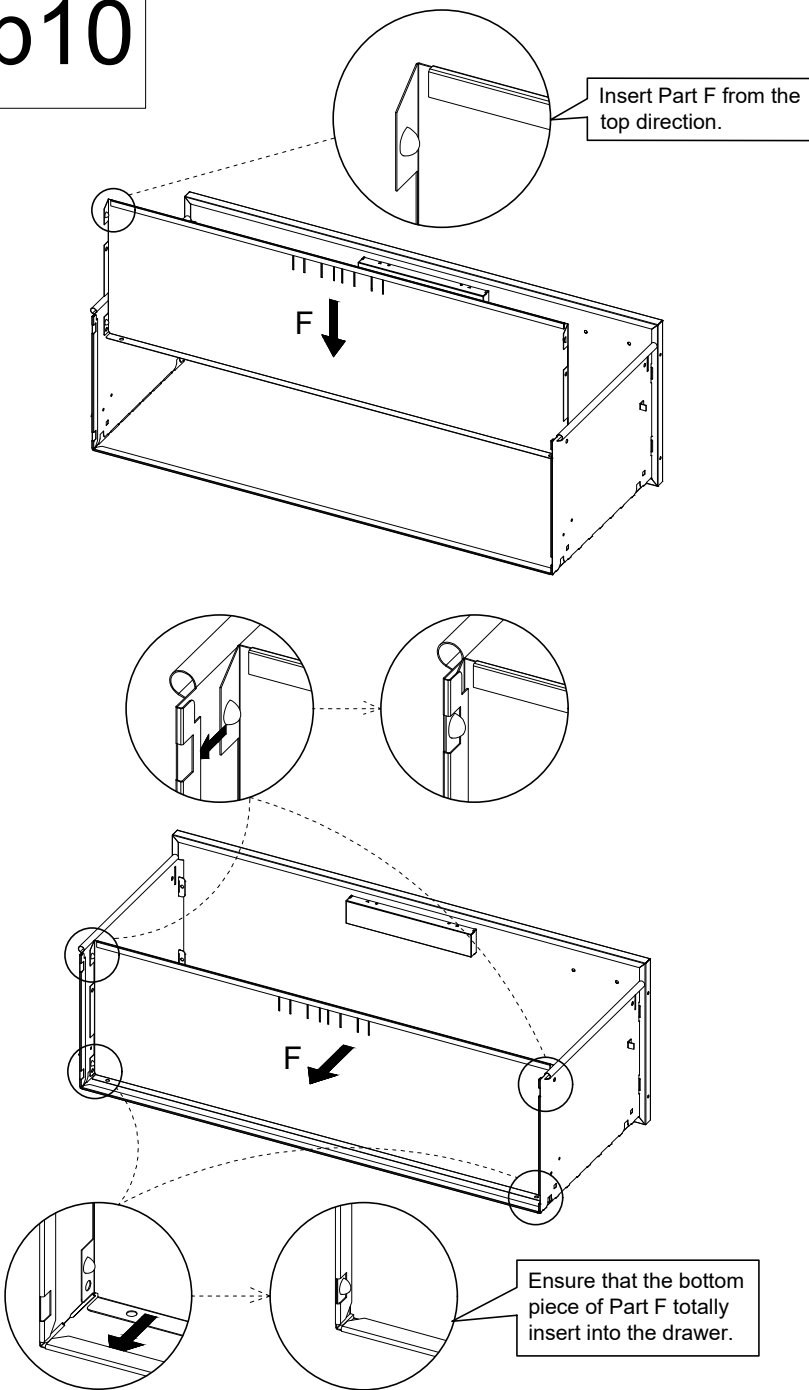


Bend the buckle. Install the screws.

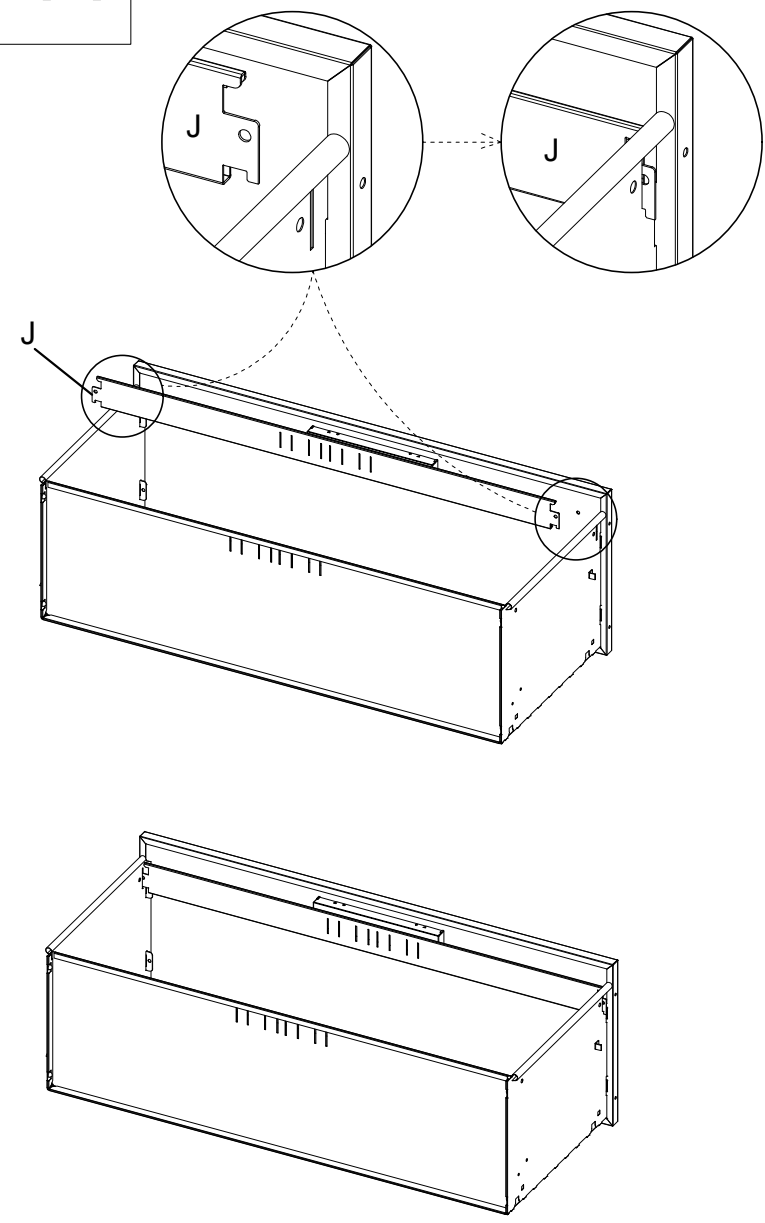


M×4

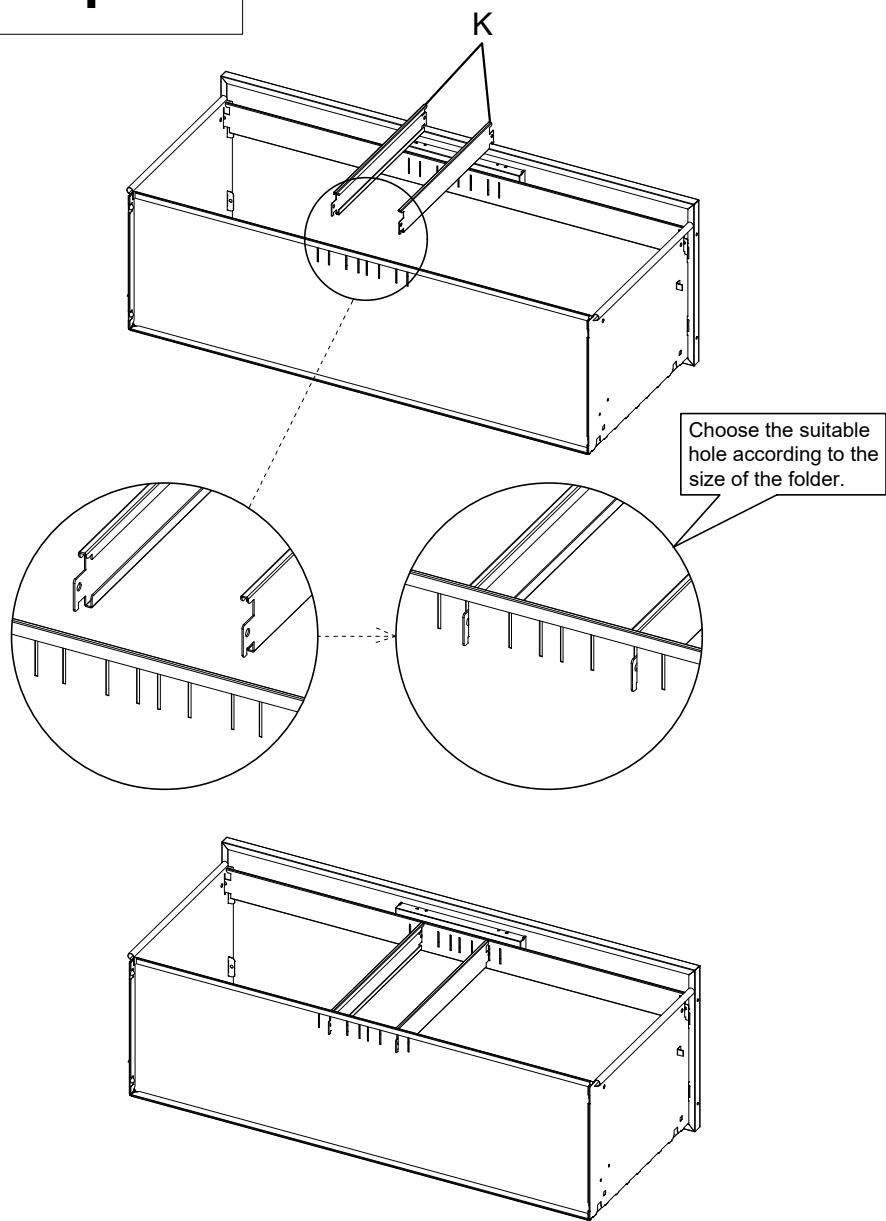
step 10



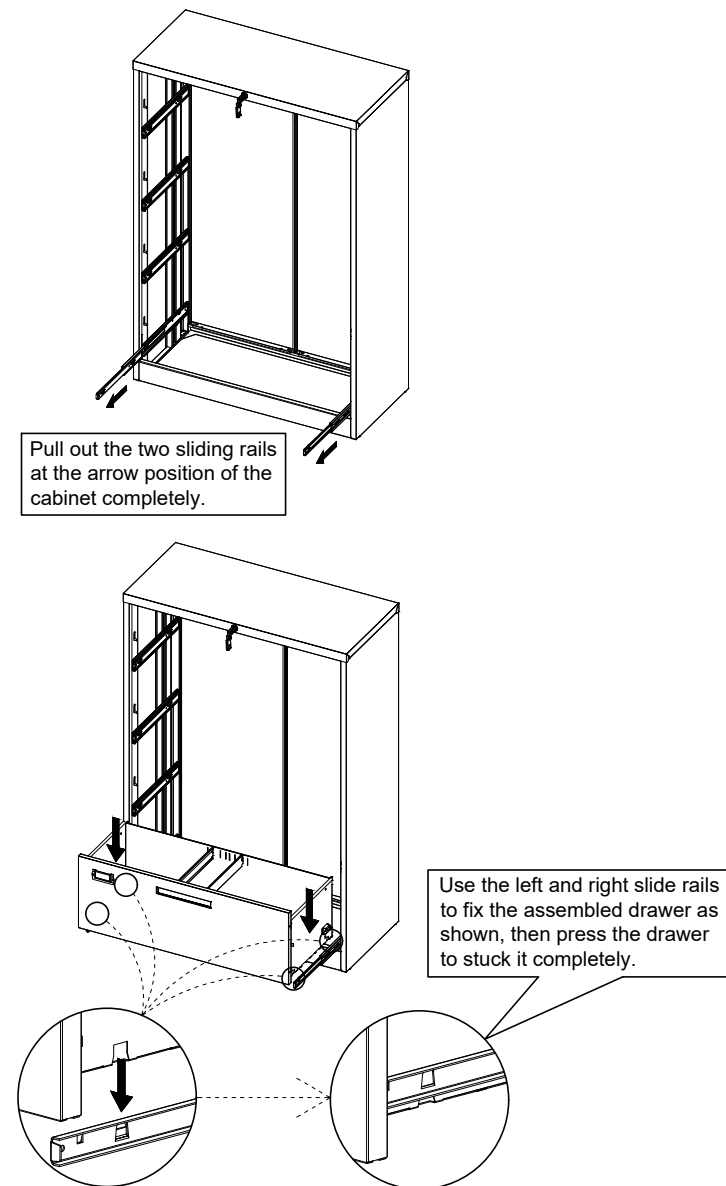
step 11



step12

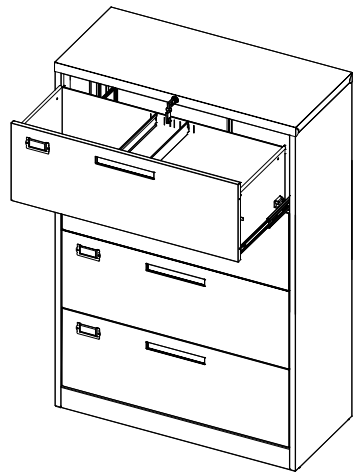
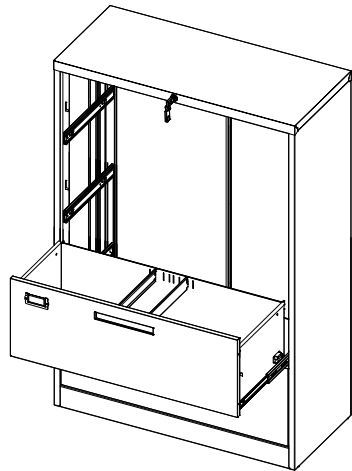


step13



step 14

Repeat steps 8,9,10,11,12 and 13 to install the remaining three drawers.
Note: The pushing of the top drawer will squeeze the spare key.



step 15

Turn the key 180° counterclockwise and the drawer is locked.

