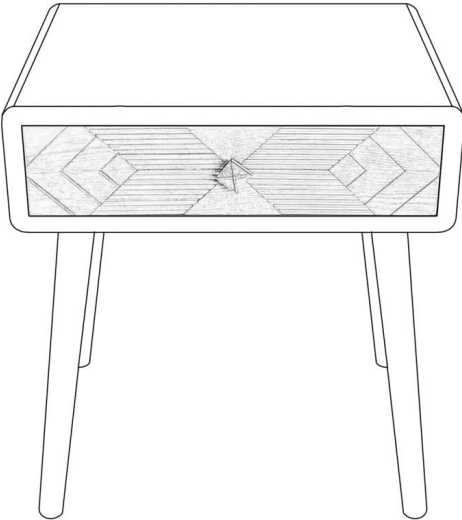


Ahokua

Assembly Instruction

Accent Table



Assembly Instruction

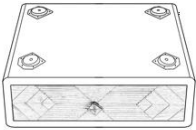
⚠ WARNING:

- Read all instructions carefully and completely before assembly and use.
- Retain for future reference.
- DO NOT use power tools.
- DO NOT over-tighten hardware.
- Periodically check all hardware and re-tighten as necessary.
- DO NOT use product if any component becomes damaged.
- For residential (non-commercial) use only.
- DO NOT sit or stand on product. Use only for intended purpose.
- DO NOT exceed 30lbs for the tabletop, evenly distributed.

Parts List

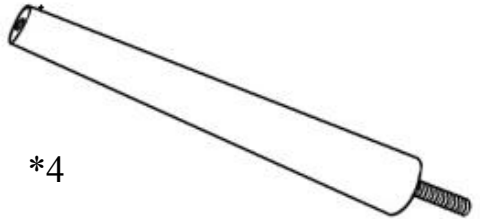
Check all parts before assembly

A. Tabletop



*1

B. Leg



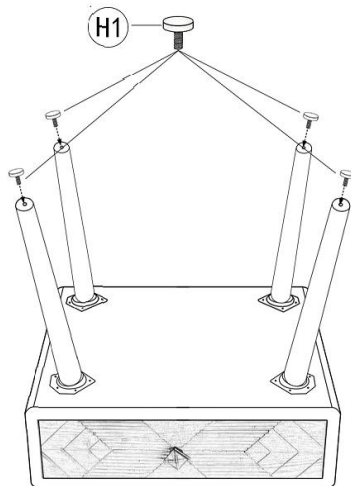
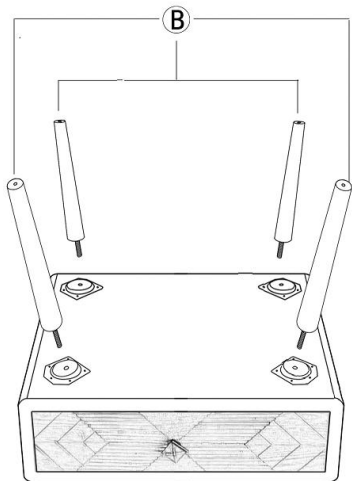
*4

H1. Foot pad

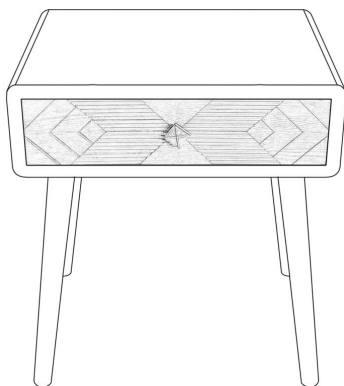


*4

Step 1: Put the Tabletop (A) on a soft surface to protect the finish. Insert the threaded end of the Legs(B) into the Tabletop(A) and turn it clockwise to tighten. Attach the Foot pad(H1) to the bottom of the legs as below right photo shown.



Assembly finished.



Notice:

If you encounter any issues during installation or use, please email us at support@mi-din.com, including your order ID and a detailed description of the problem. If possible, please provide relevant images to expedite assistance. We will strive to resolve any issues promptly.