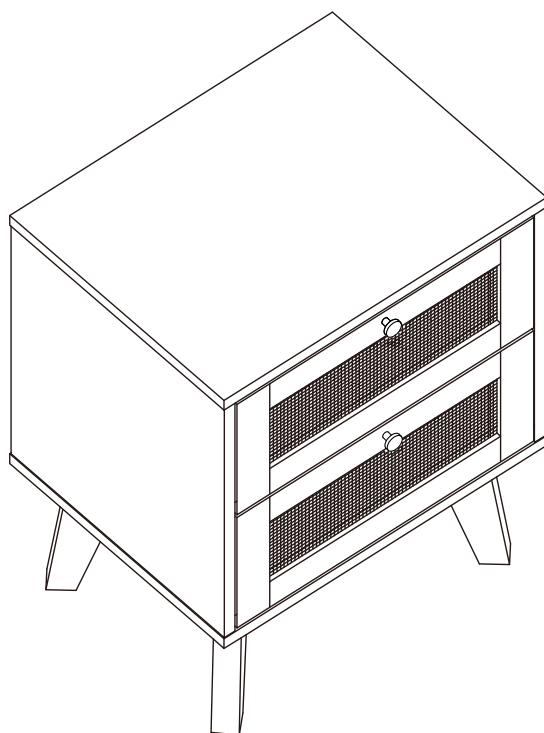


End Table with Rattan Drawer



 **45 MIN**
ASSEMBLY TIME

1 PEOPLE
REQUIRED FOR ASSEMBLY

1 x 1 m
FLOOR SPACE REQUIRED

PLEASE READ ALL INSTRUCTIONS CAREFULLY BEFORE ASSEMBLING AND USING THE PRODUCT.

SAFETY ADVICE

- Keep the product away from fire and inflammable objects.
- Do not stand on the product or use the product as a stepladder.
- Do not overload, otherwise it will cause risk of injury and/or damage to the product.
- Never allow kids to climb on or lean against the product. The product comes with an anti-tip wall anchor. Do fix the anti-tip device to avoid potential injury.
- Check that the product is stably built before use and make sure the product stands on a solid and level surface.

CARE ADVICE

- Wipe with soft dry cloth.
- Never allow any sharp objects to touch the surface. It will damage the finish of the product.
- Never allow any kind of liquid to remain on the surface. Water penetration will cause damage to the wood material.
- Please periodically check all fittings and re-tighten as necessary.

ASSEMBLY ADVICE

- Ensure that you have sufficient space and people to assemble the product safely.
- Please check that all parts are present before you start the assembly. A Phillips head screwdriver (not included) is required for the assembly.
- Please assemble the product on a protected surface (packaging box, or mat, etc) to avoid any damage.
- During assembly, do not tighten bolts/screws completely until all bolts/screws are lined up and inserted into holes; do not over-tighten screws and bolts to avoid stripping; do not use power tools.
- Please check that the product is well and stably built before usage.

KEEP ALL SAFETY ADVICE AND SAVE THIS INSTRUCTIONS FOR FUTURE REFERENCE

Guarantee

We offer 12-month warranty for all our products from the date of original purchase.

Statement:

The product is well-packed with strengthened box and protective foam. Each panel is separately wrapped with soft protective foam, while the hardware is included in a single box. An instructions manual should be included in the box as well. Well protected though, damage happens sometimes.

















To successfully assemble the item and enjoy your cozy furniture, please kindly check the parts and accessories according to the packing list in the next two pages.

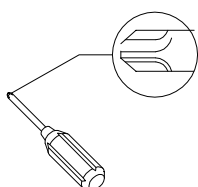
If there are any parts missing, damaged or defective, please feel free to contact us for support via the following email. You can contact us for support at any time. Usually we will respond to you within 24 hours.

The information required for a better support from us:
Order Number:
Part Number needed to replace:
Shipping Information (Name, Address, Contact Number):
Picture of the damaged/defective parts (if possible):

Note: If the instructions manual is missing pages, there is a QR Code printed on the packaging box where you can scan and download the electrical instructions for reference. If error happens, contact us via email directly.

Hardware List

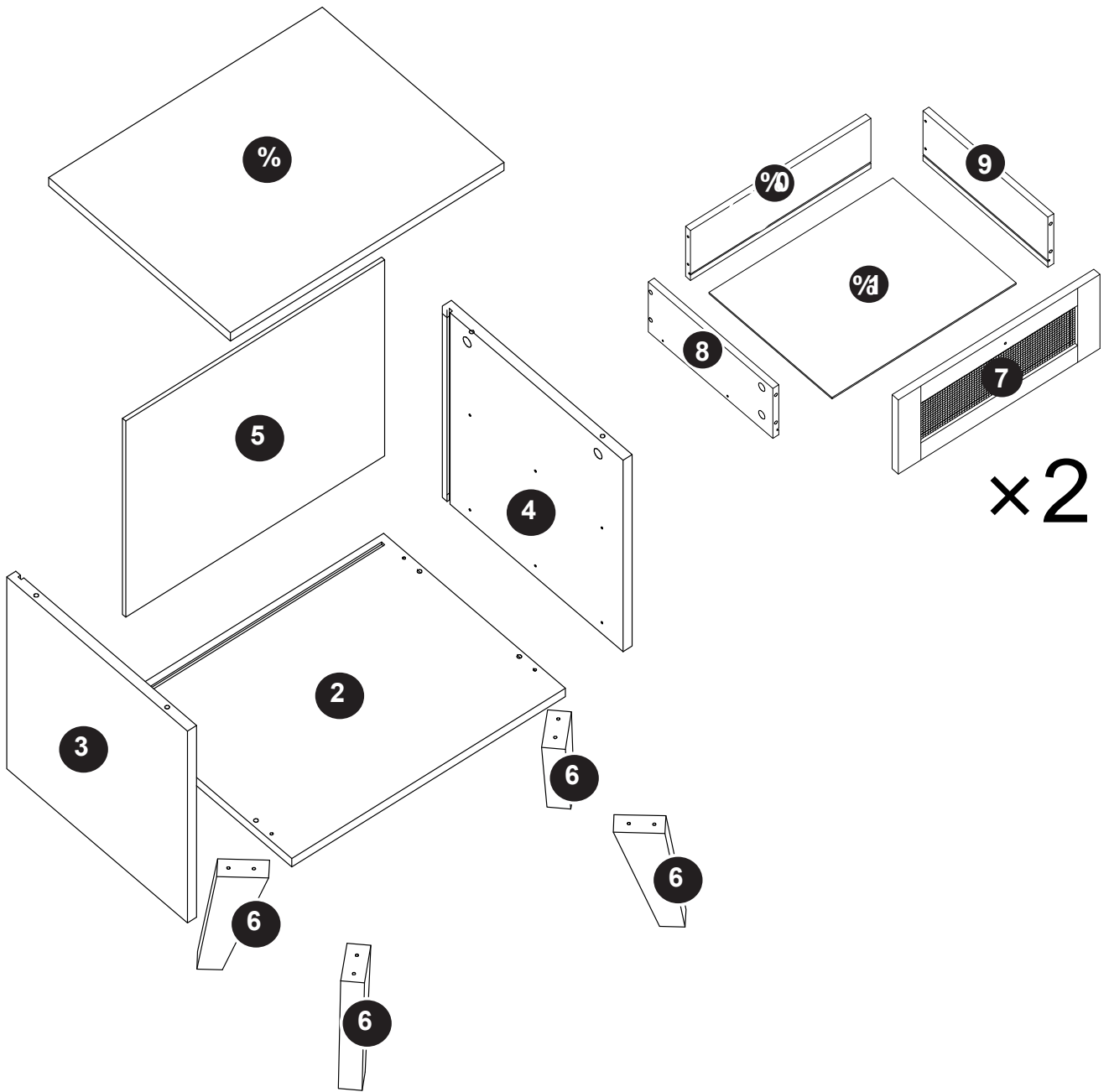
A		☒6x35mm	Cam Bolt	12 pcs
B		☒15x10mm	Cam Lock	12 pcs
C		☒6x30mm	Wooden dowel	4 pcs
D		☒3x12mm	Screw	20 pcs
E		☒4x30mm	Screw	13 pcs
F			Wall Anchor	1 pc
G			Drawer Glide	2 pcs
H			Drawer Glide	2 pcs
I			Bolt	2 pcs
J			Handle	2 pcs
M			Foot Pad	4 pcs
N		☒3x14mm	Screw	1 pc
P			Safety Strap	1 pcs
Q			Washer	2 pcs
R		∅5x40mm	Screw	8 pcs
S			Allen key	1 pc



**Philips head screwdriver required for assembly
(not included)**

The hardware quantities listed above are required for proper assembly.
Some extra hardware may also have been included.

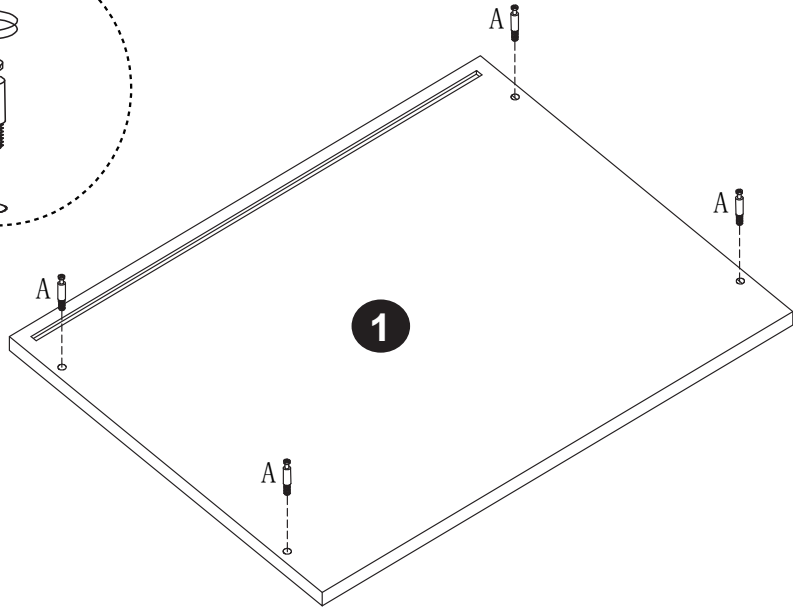
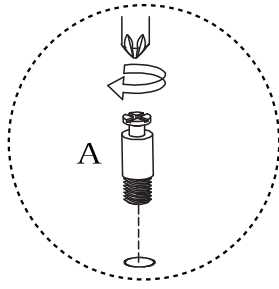
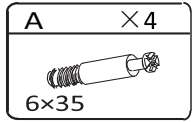
Product Diagram



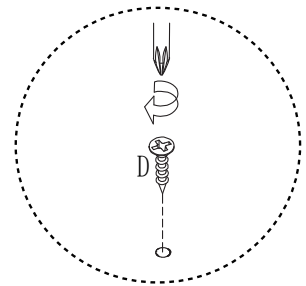
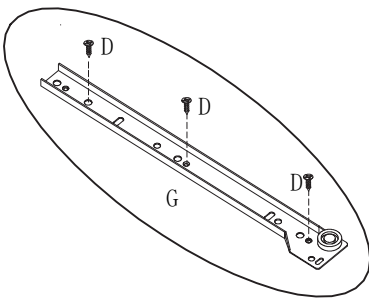
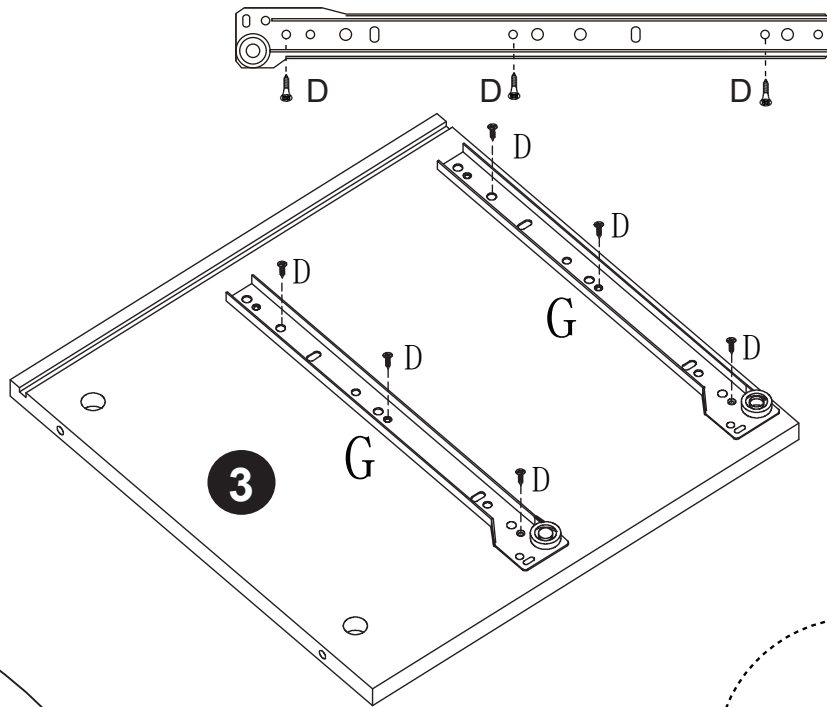
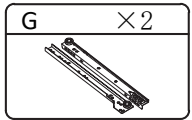
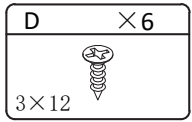
After-sales Support

If there are any parts missing, damaged or defective, please feel free to contact us for support via the following email. Information required is listed on Page 3.

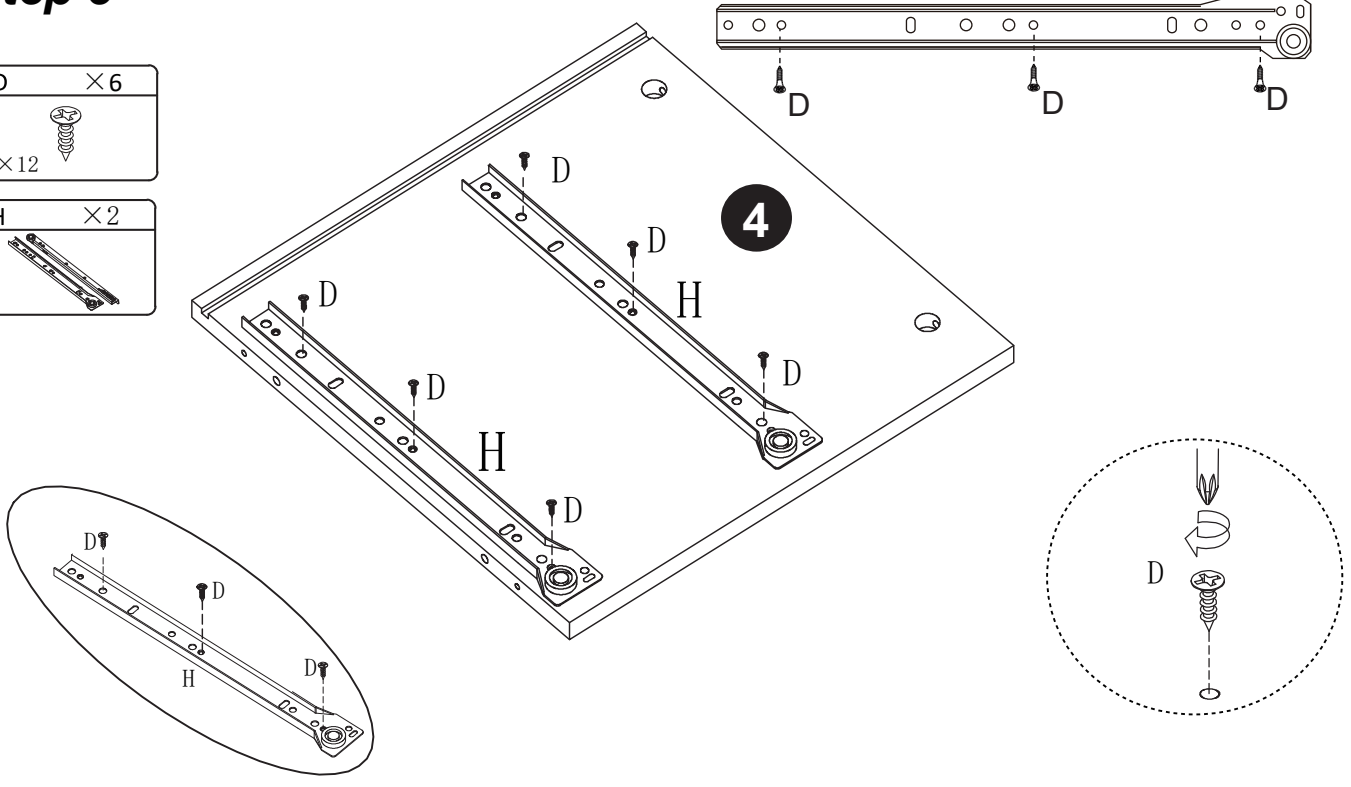
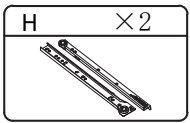
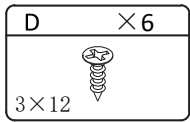
Step 1



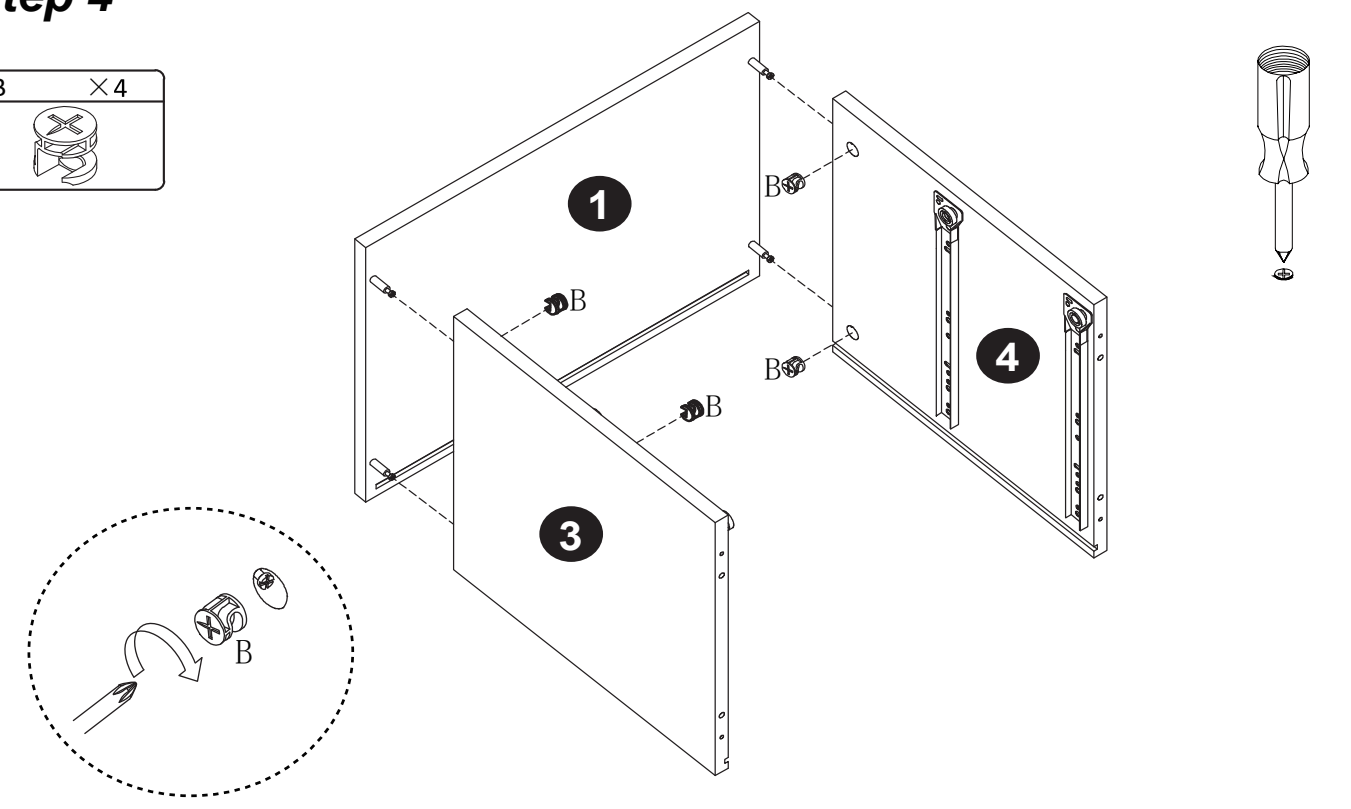
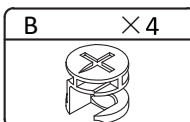
Step 2



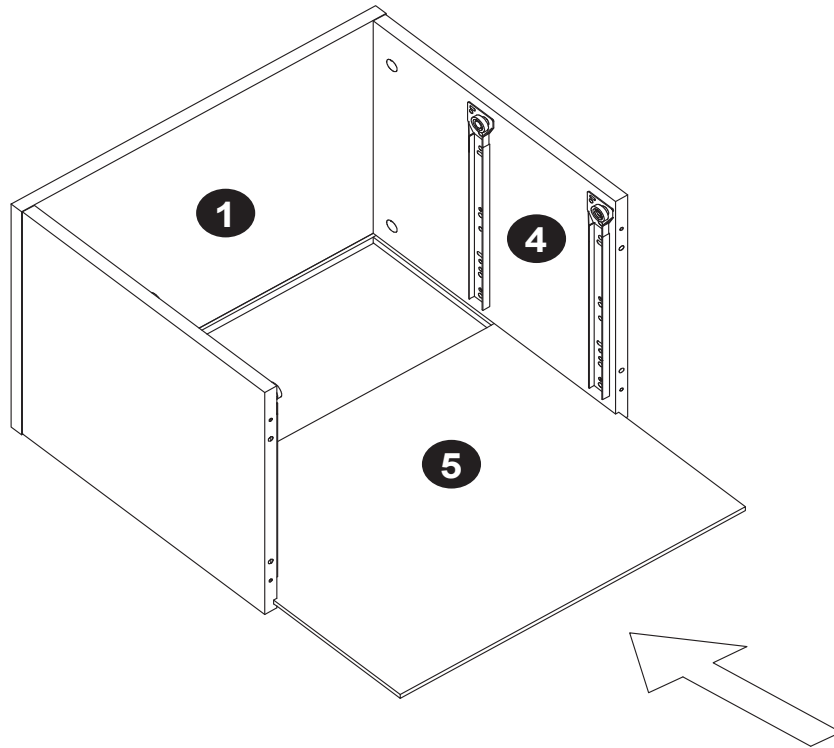
Step 3



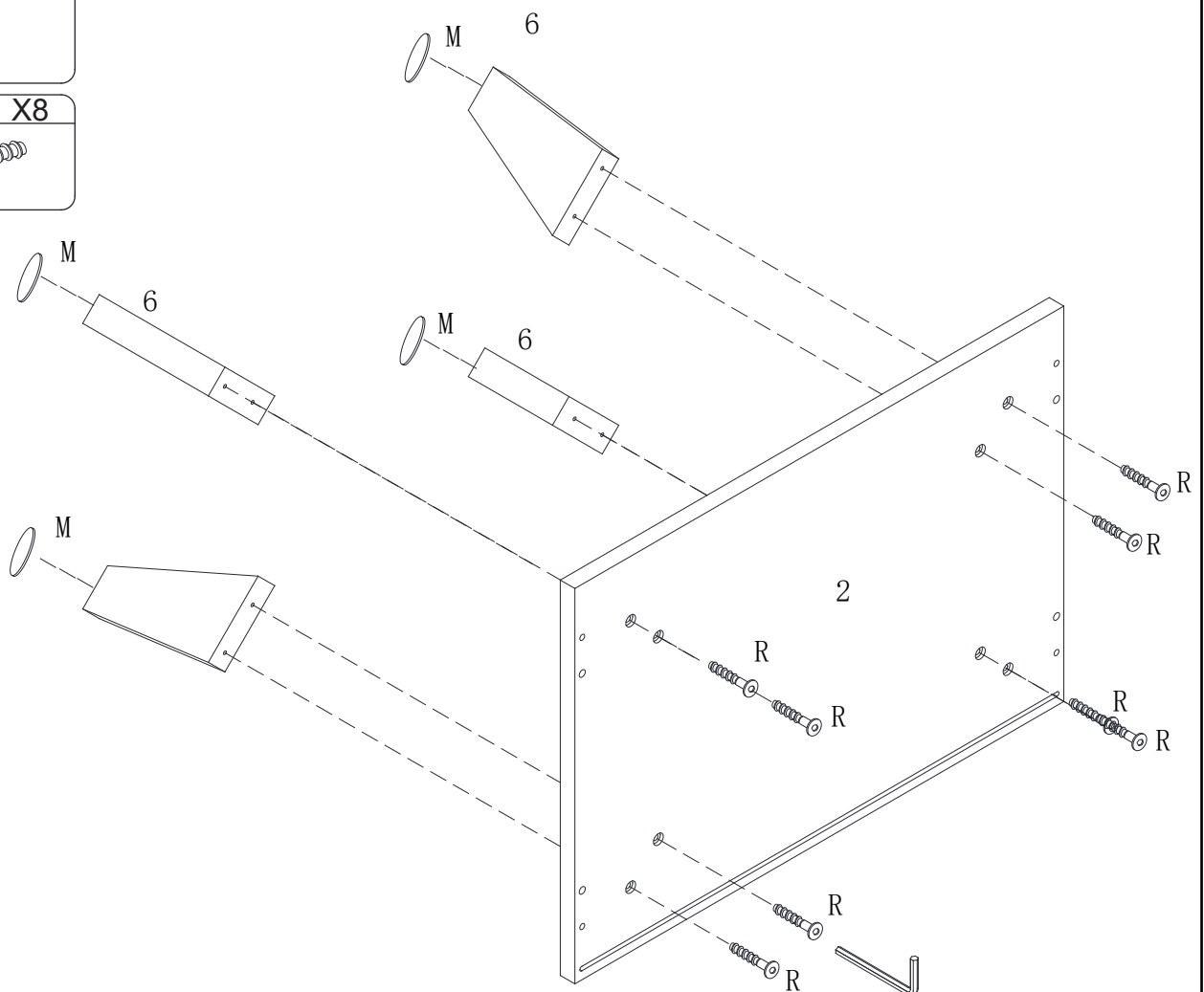
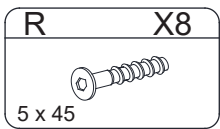
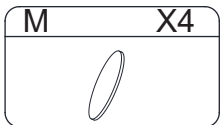
Step 4



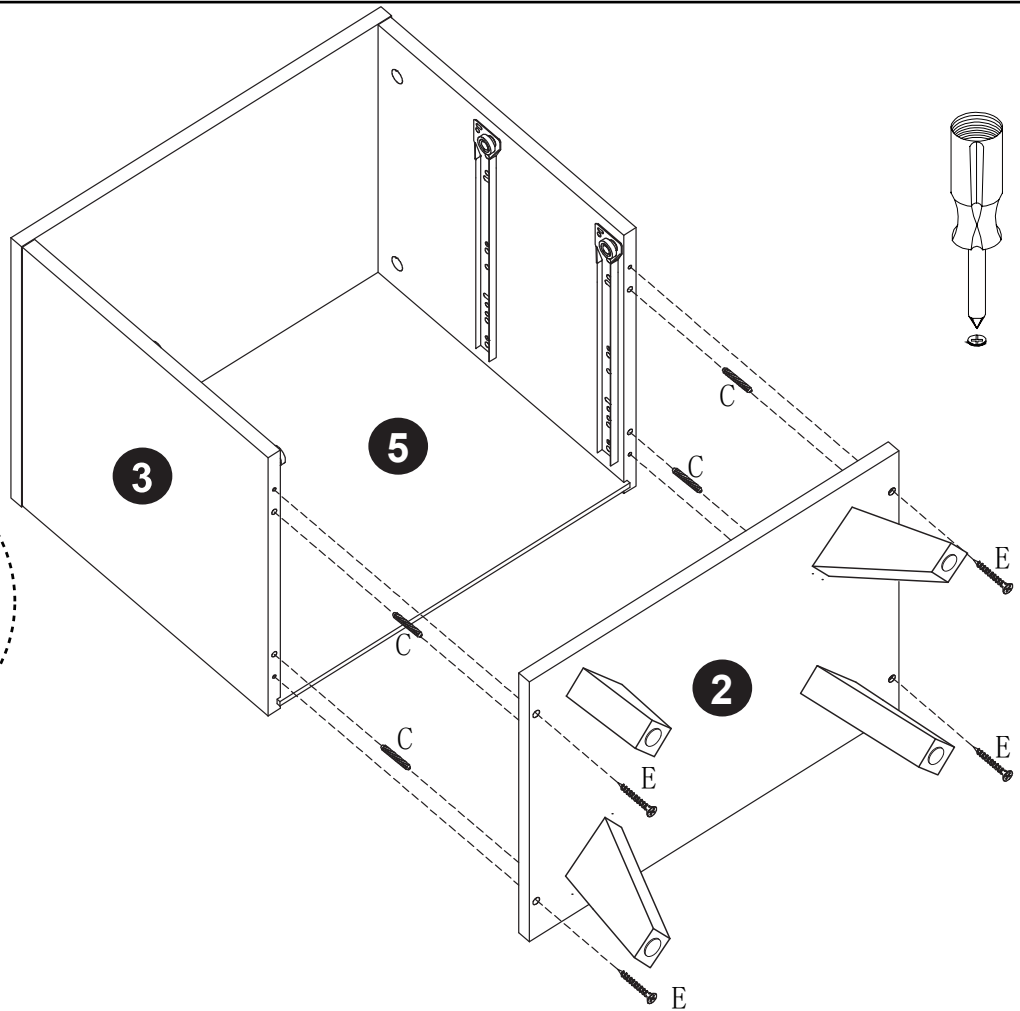
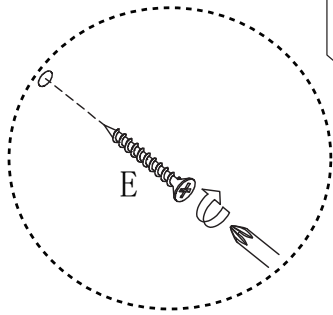
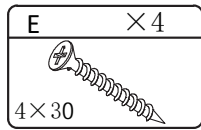
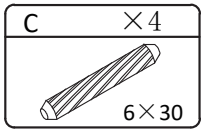
Step 5



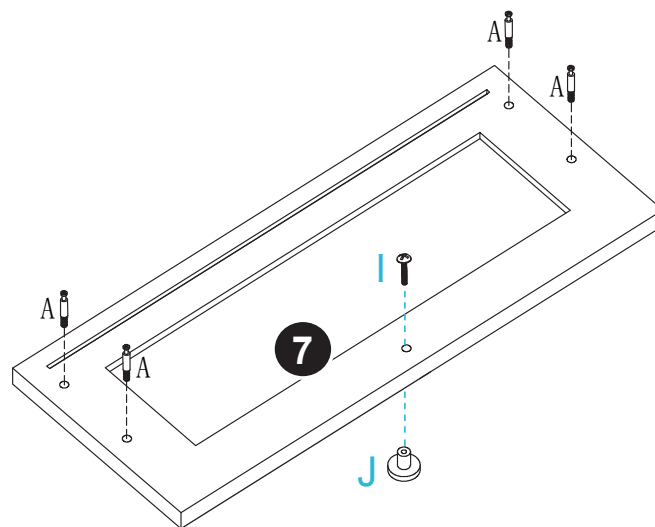
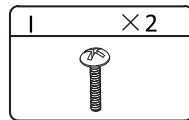
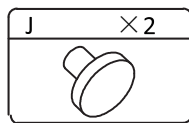
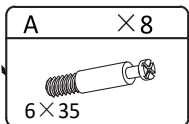
Step 6



Step 7

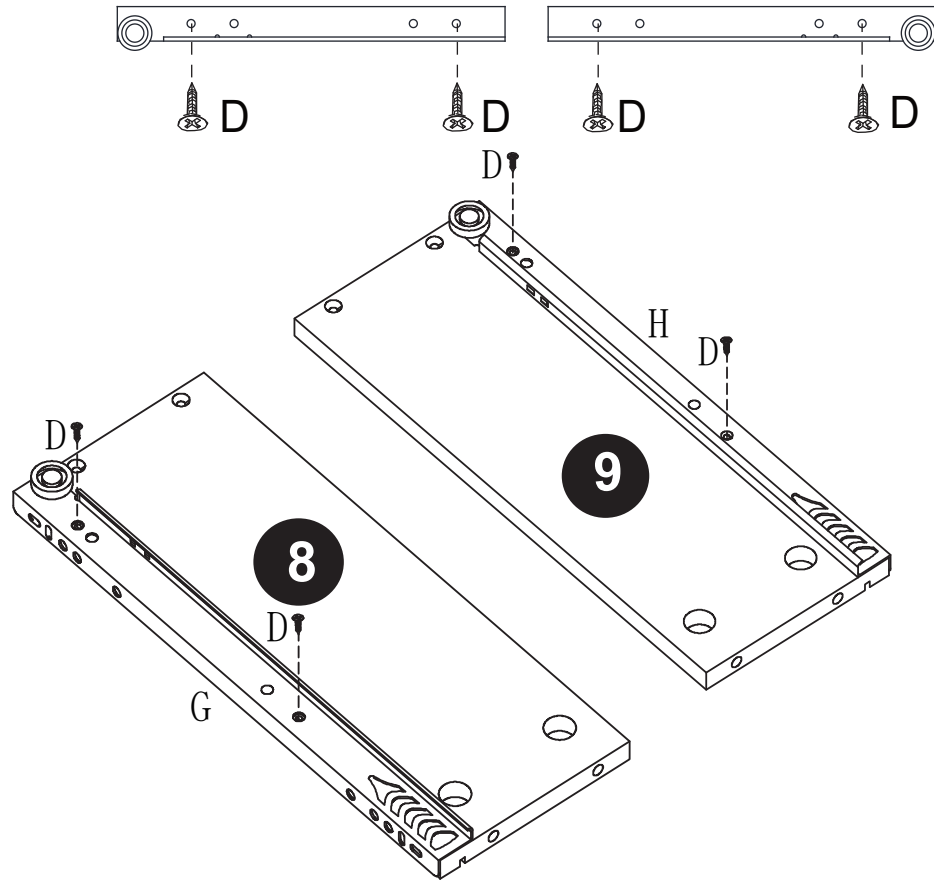
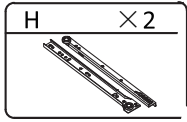
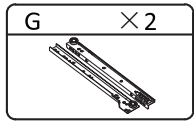
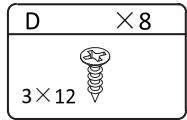


Step 8



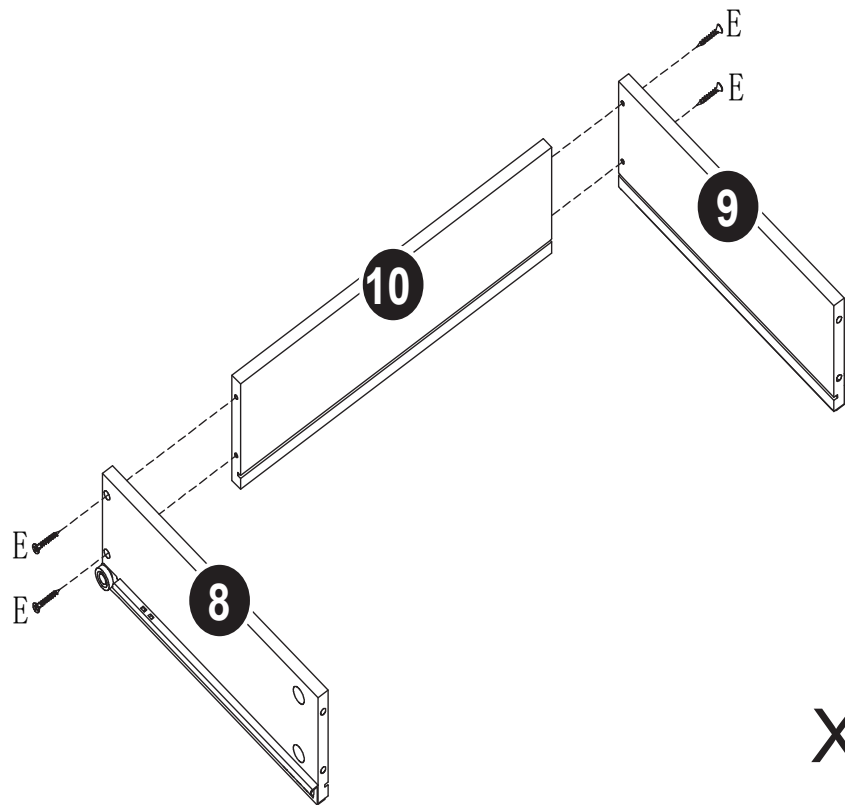
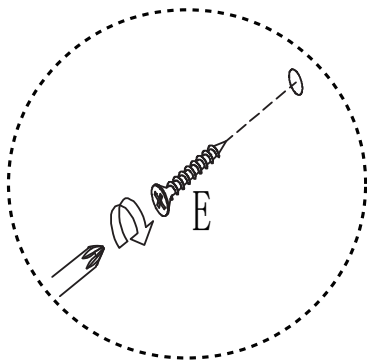
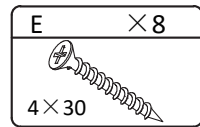
X 2

Step 9



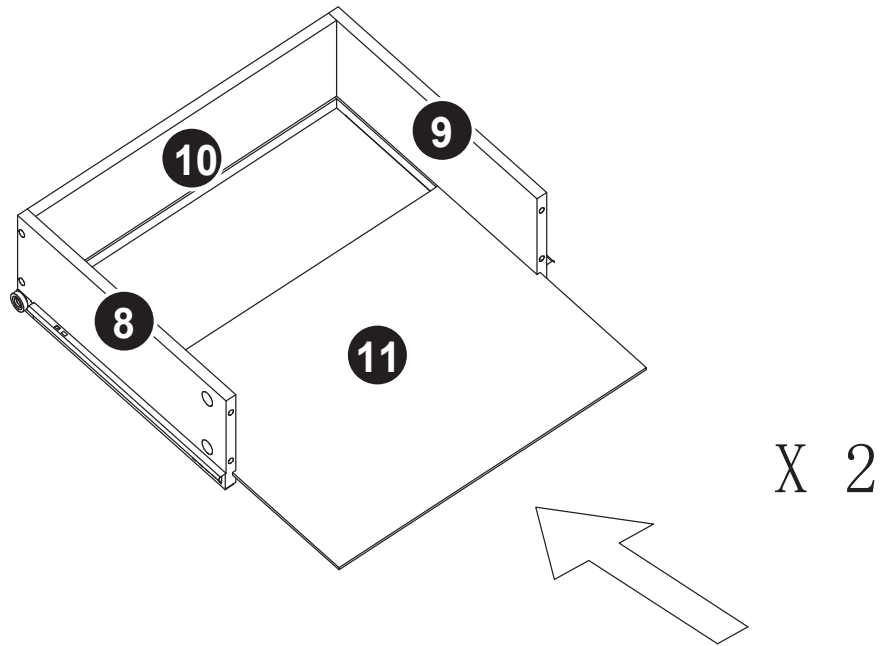
X2

Step 10

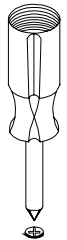
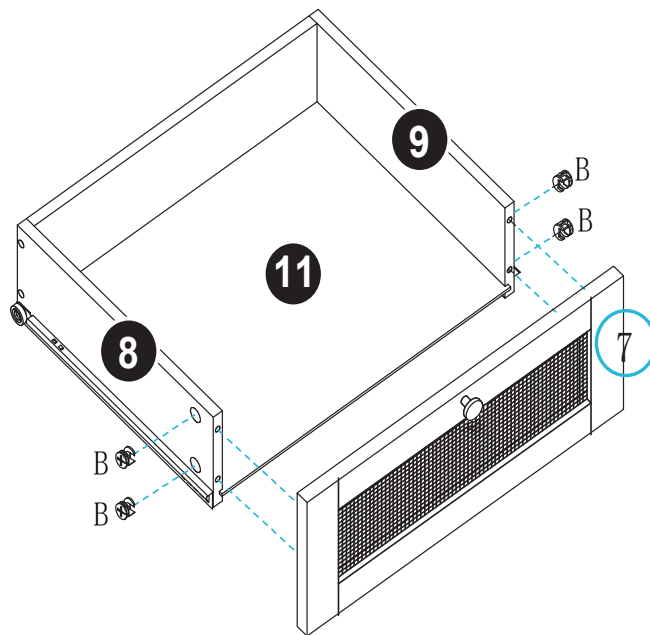
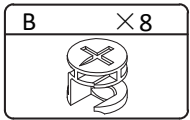


X2

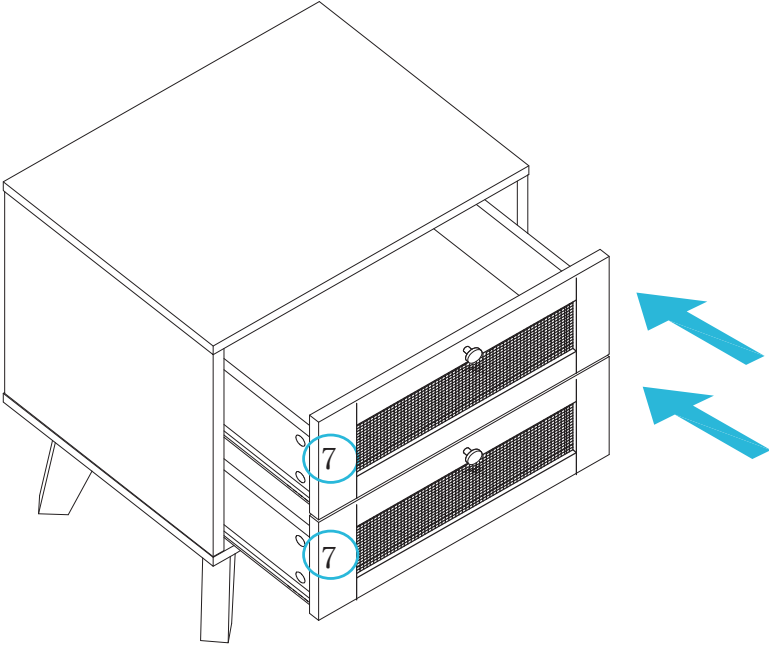
Step 11






Step 12

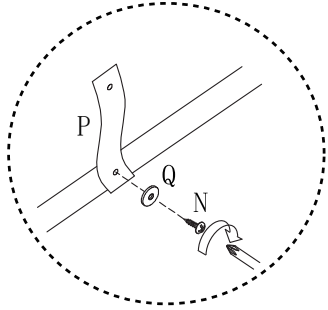
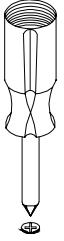
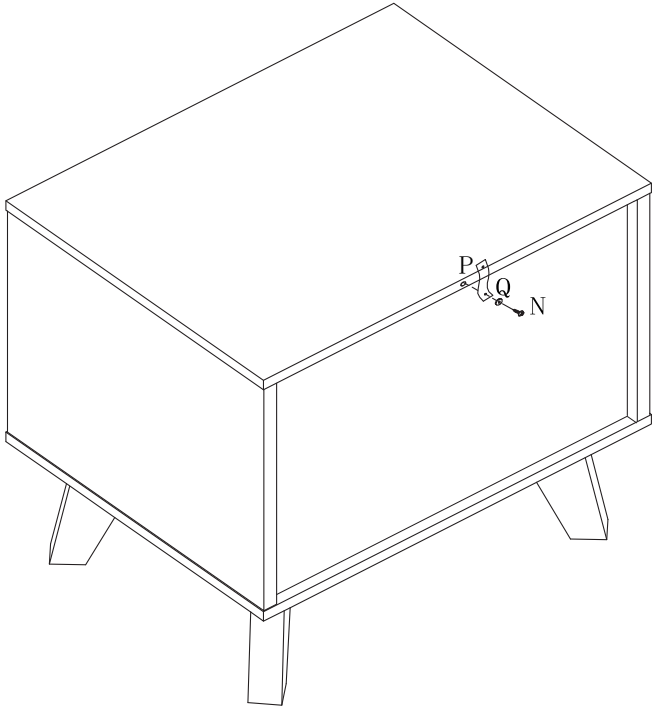


Step 13



Step 14

- N × 1
3×14 
- Q × 1

- P × 1




Step 15

