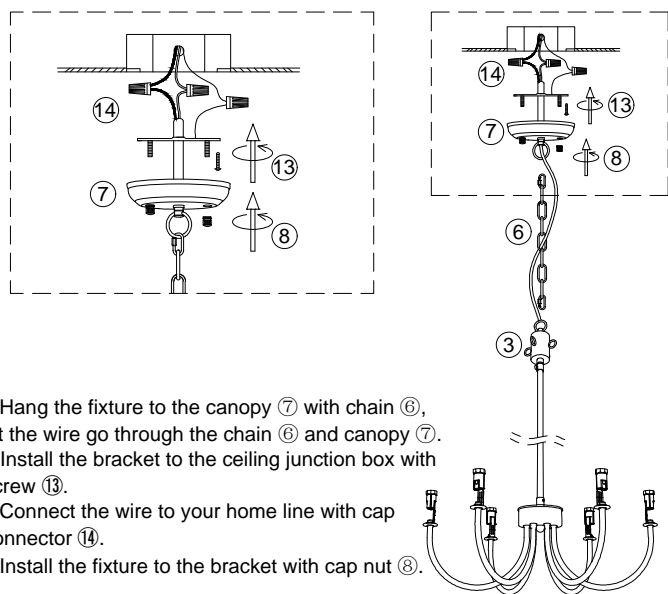
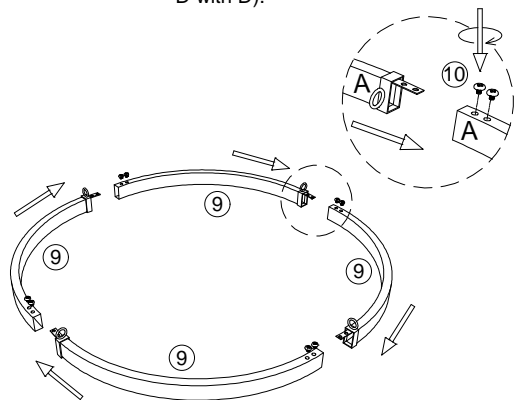


1. Adjust the arm to suitable position like picture shown.
2. Let the wire go through the tube ② and hanging part ③, rotate to install both to the fixture, fasten the tube ② with grub screw by rotate hex key ⑤.

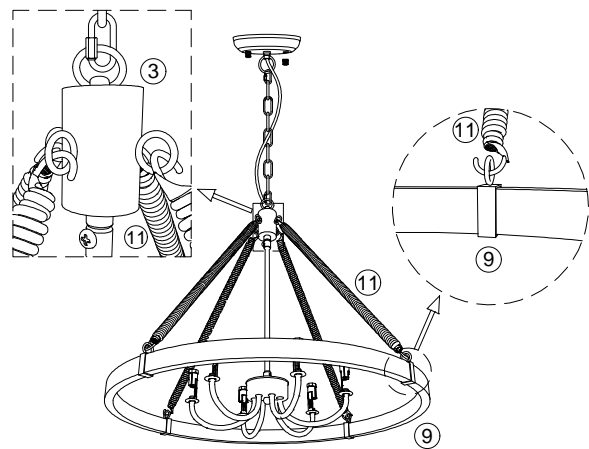


3. Hang the fixture to the canopy ⑦ with chain ⑥, let the wire go through the chain ⑥ and canopy ⑦.
4. Install the bracket to the ceiling junction box with screw ⑬.
5. Connect the wire to your home line with cap connector ⑭.
6. Install the fixture to the bracket with cap nut ⑧.

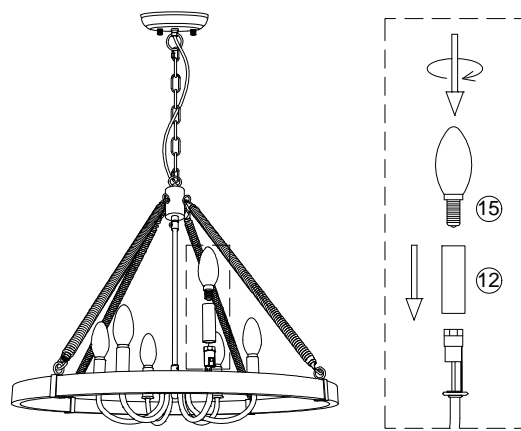
Note: male A should connect with female A, male B should connect with female B ( C with C, D with D).



7. Assembled the split parts ⑨ to a completely ring fixture like picture showed. (pushed the split parts together and fix with bolt screw ⑩)



8. Hang the ring ⑨ to the fixture with hanging tube ⑪.



9. Put the cylinder tube ⑫ on top of bulb holder and install the bulb ⑮.

Please read carefully before installation!!!

Note : Please make sure that the electricity is powered off during installation !

Only a professional electrician should install this kind of product !