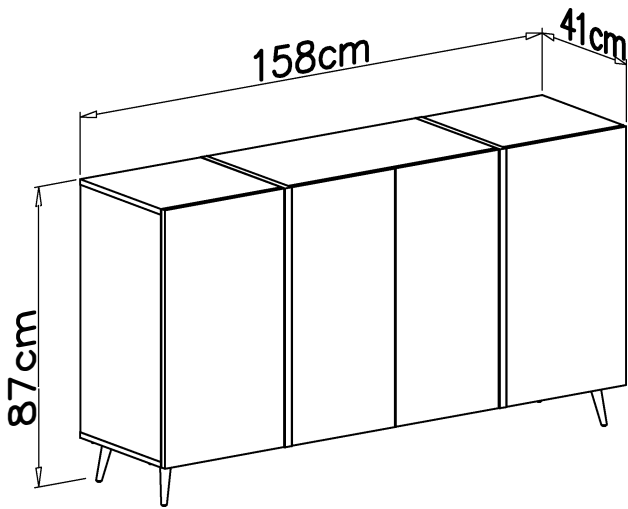
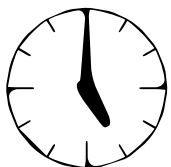
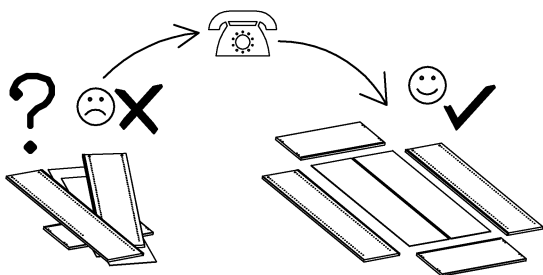
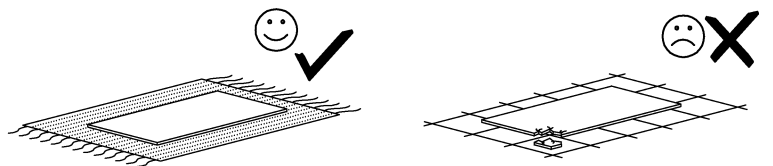
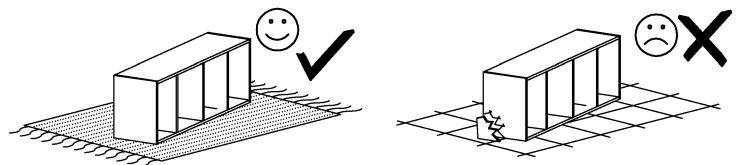
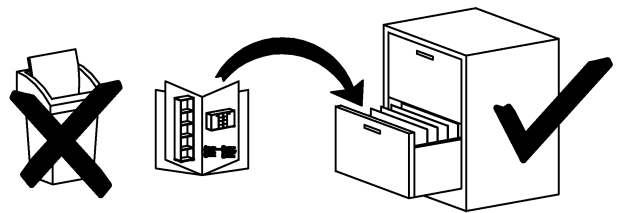
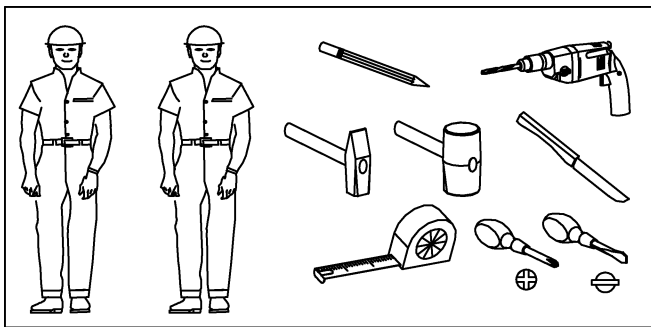
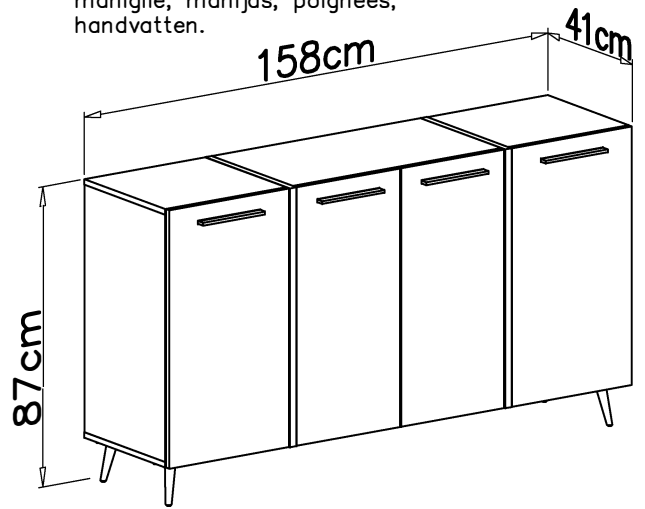


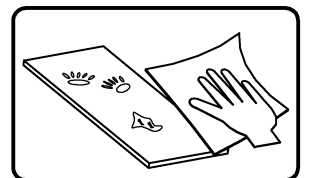
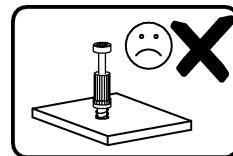
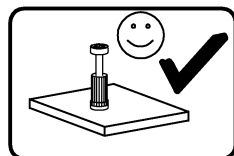
Owner Manual

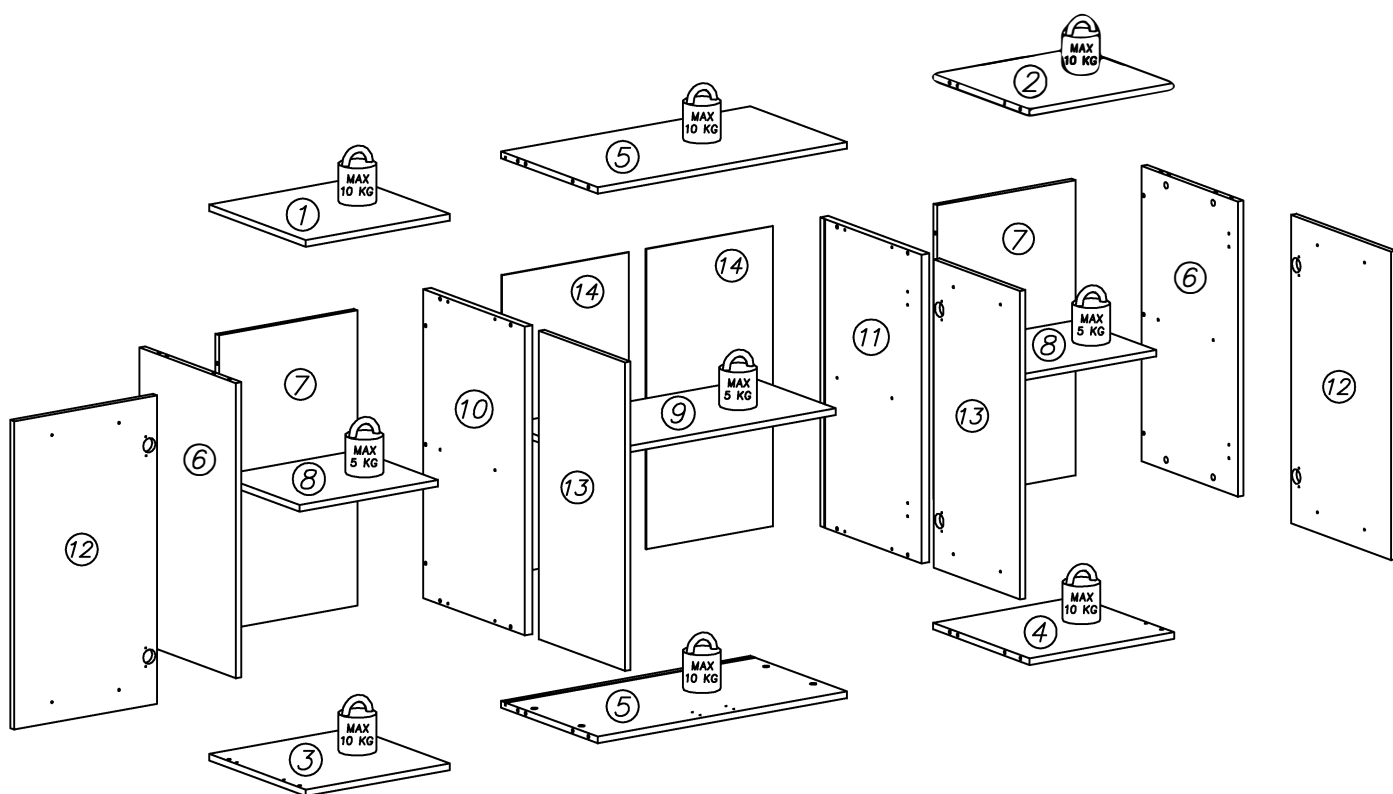
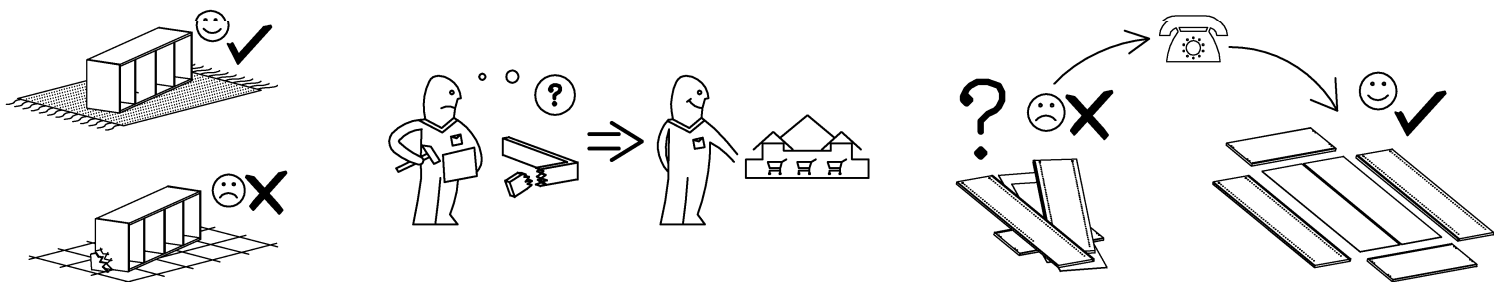


Uchwyty, Griffe, Handles, alças,
maniglie, manijas, poignées,
handvatten.



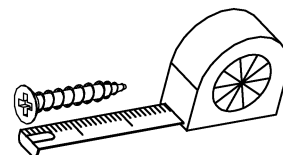
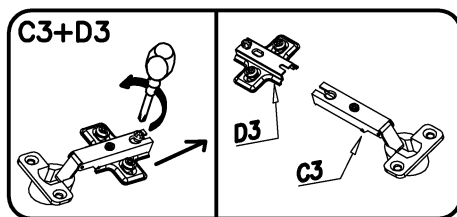
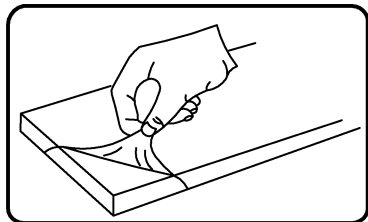
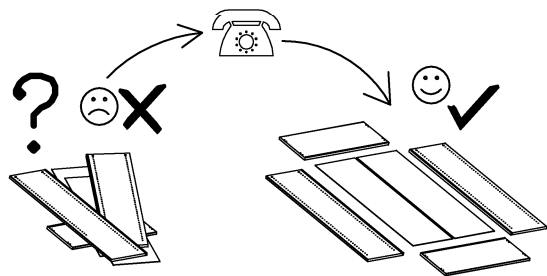
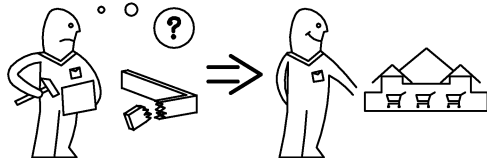
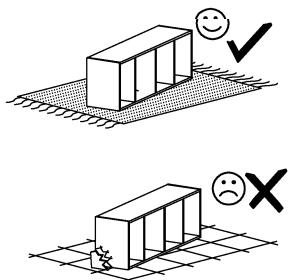
2,5h





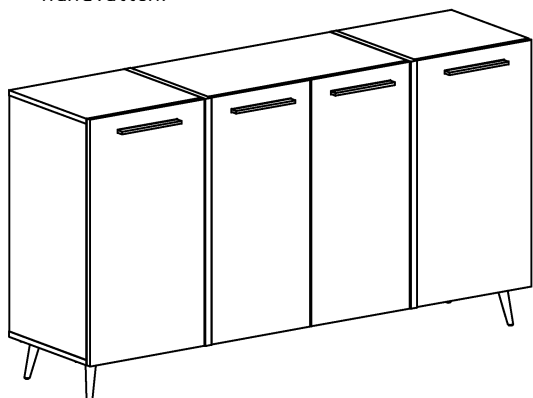
nr	L[mm]	B[mm]	T[mm]	Menge	Colli
1	412	394	16	1	1/2
2	412	394	16	1	1/2
3	412	394	16	1	1/2
4	412	394	16	1	1/2
5	712	394	16	2	2/2
6	715	393	16	2	2/2
7	715	395	16	2	1/2

nr	L[mm]	B[mm]	T[mm]	Menge	Colli
8	395	328	16	2	2/2
9	712	328	16	1	2/2
10	748	413	22	1	1/2
11	748	413	22	1	1/2
12	747	408	16	2	1/2
13	747	351	16	2	2/2
14	727	362	16	2	1/2

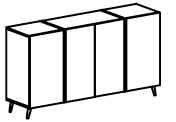


D4 PZ350D x...(4)	C4 Z350D x...(4)	I1 x...(8)	F2 x...(12)	S1 714mm x...(1)
M11 x...(1)	G28 4x60 x...(1)	U6 ø8x40 x...(1)	LEG x...(4)	P19 x...(2)
I7 x...(24)	L13 x...(4)	D3 H=2 PZ35PR x...(4)	C3 Z35PR x...(4)	G4 x...(42)
K10 x...(24)	G57 3,5x16 x...(8)	K1 ø15x12 x...(24)	B1 ø8x35 x...(36)	G4 x...(42)

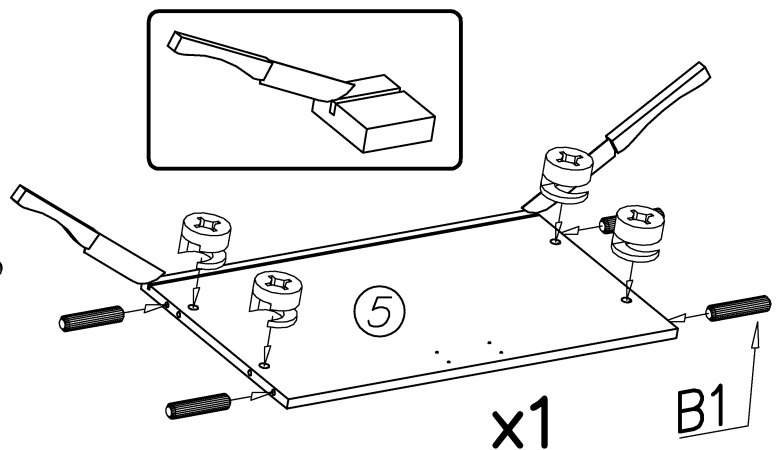
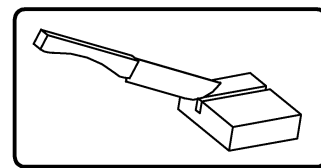
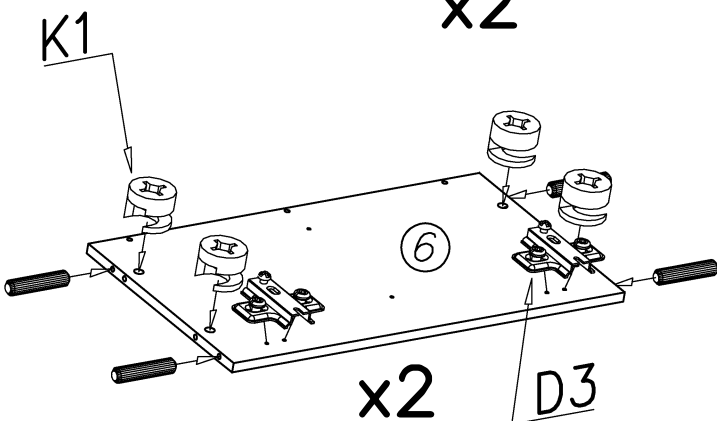
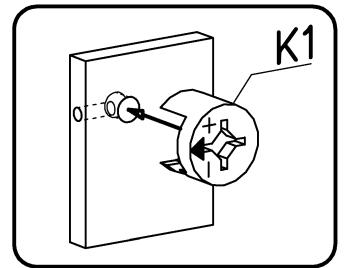
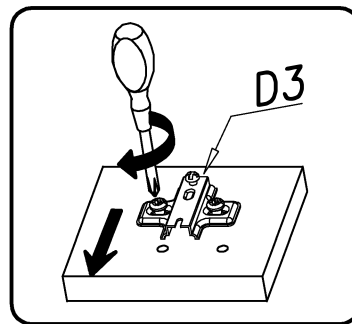
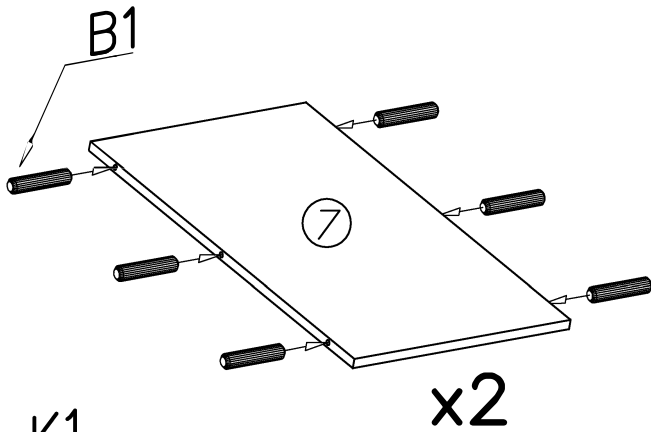
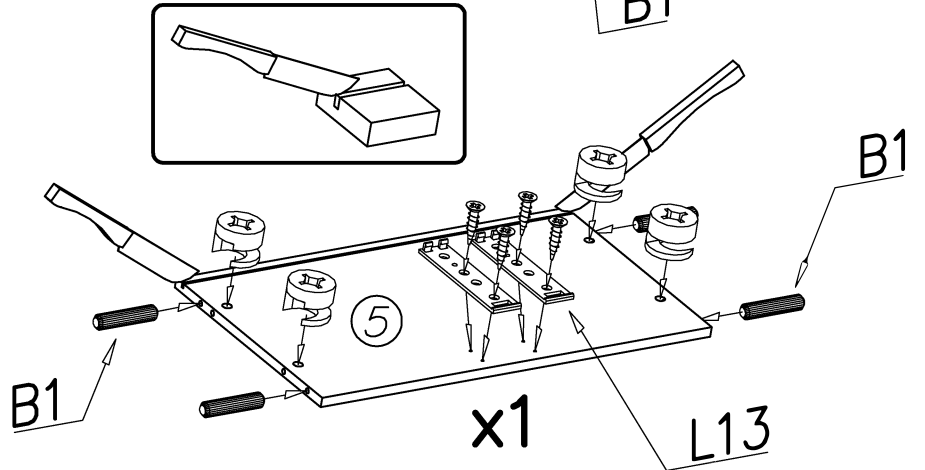
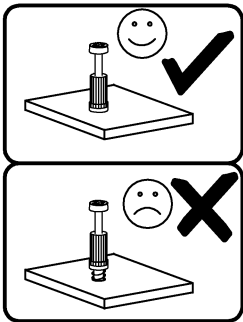
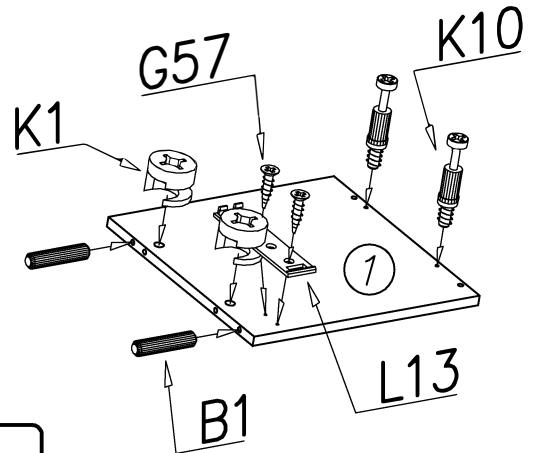
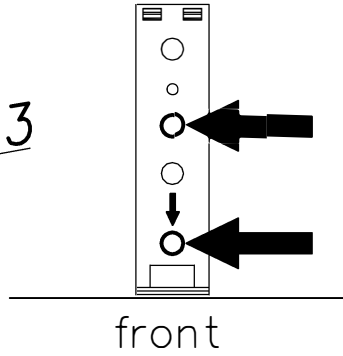
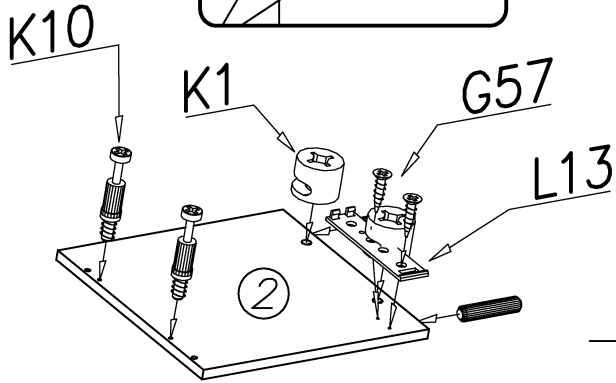
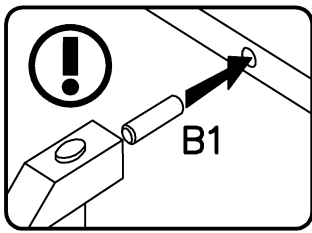
Uchwyty, Griffe, Handles, alças,
maniglie, manijas, poignées,
handvatten.

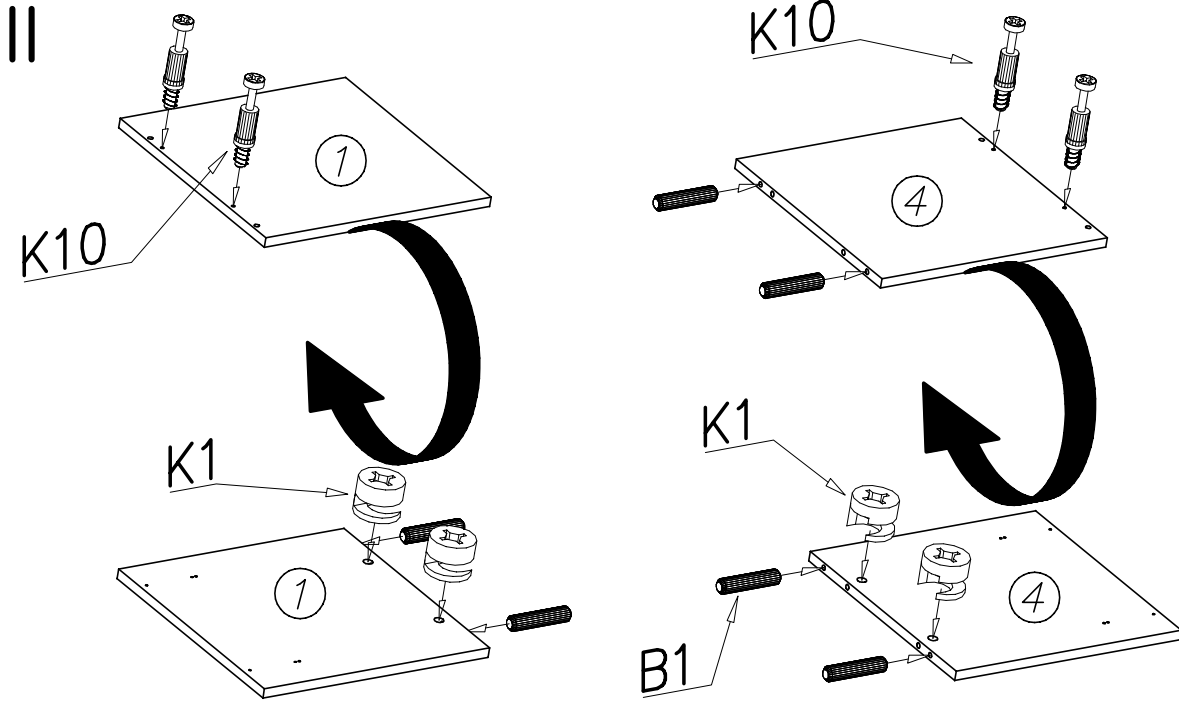
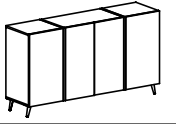



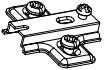
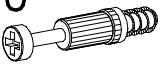

G8 4x30 x...(8)	E88 x...(4)
-------------------------------	---------------------------

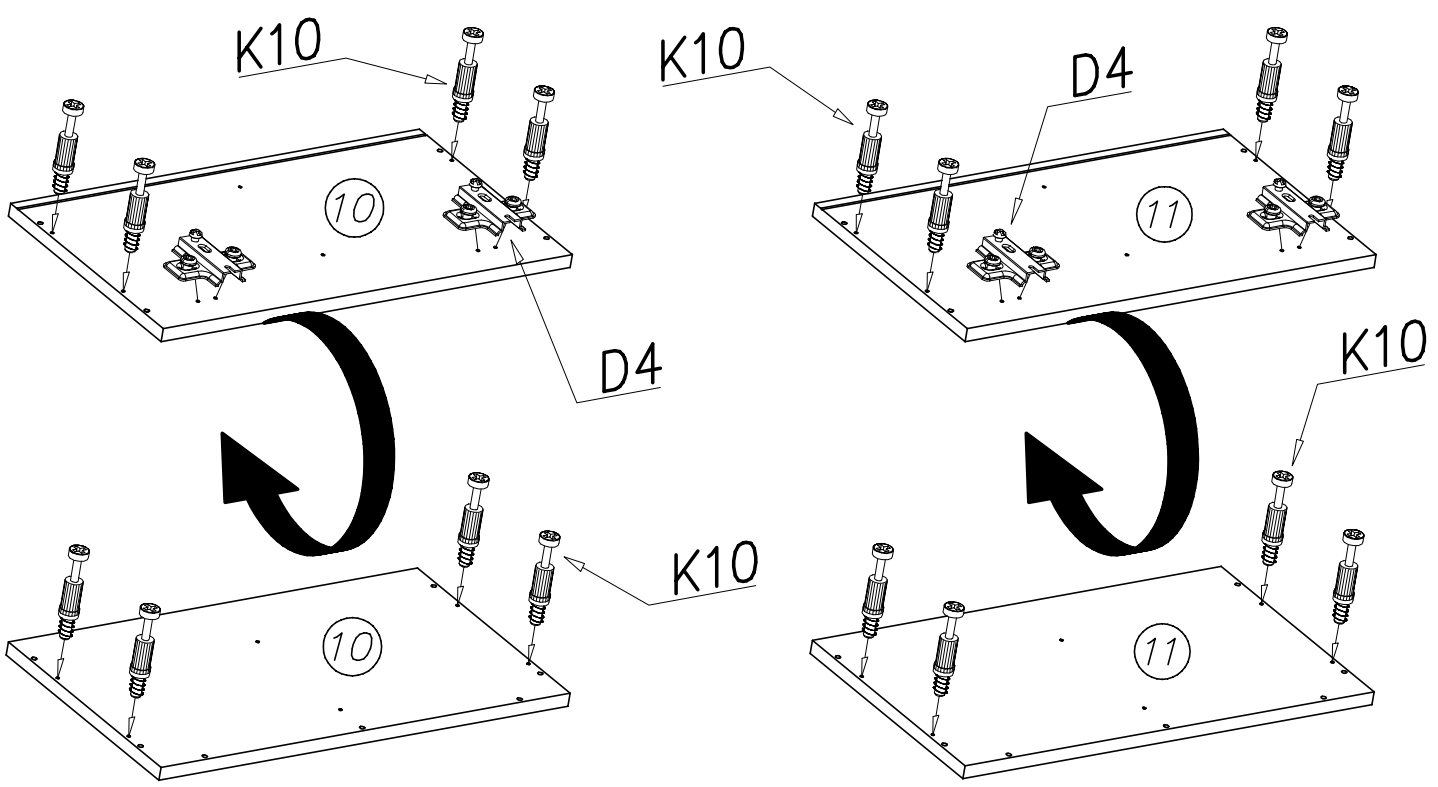
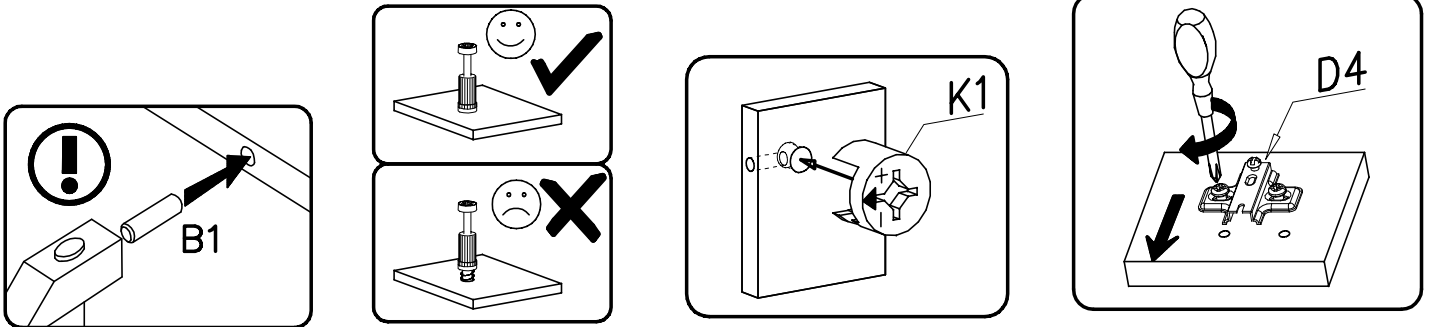


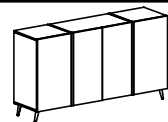
B1 ∅8x35 x...(24)	K10 x...(4)	L13 x...(1)
D3 PZ35PR x...(2)	K1 ∅15x12 x...(16)	G57 3,5x16 x...(2)



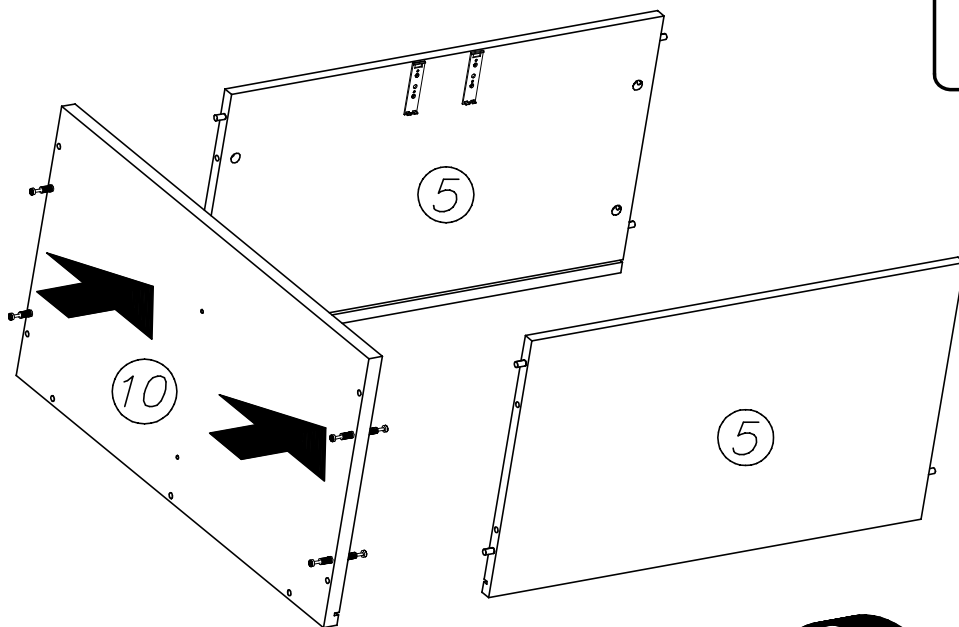
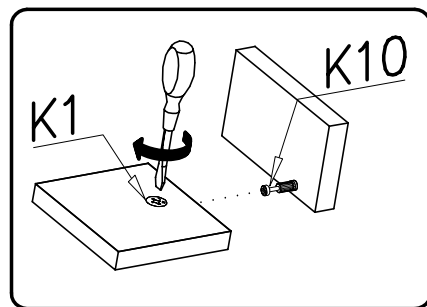


- B1  $\varnothing 8 \times 35$ x...(24)
- D4  PZ350D x...(2)
- K10  x...(4)
- K1  $\varnothing 15 \times 12$ x...(16)

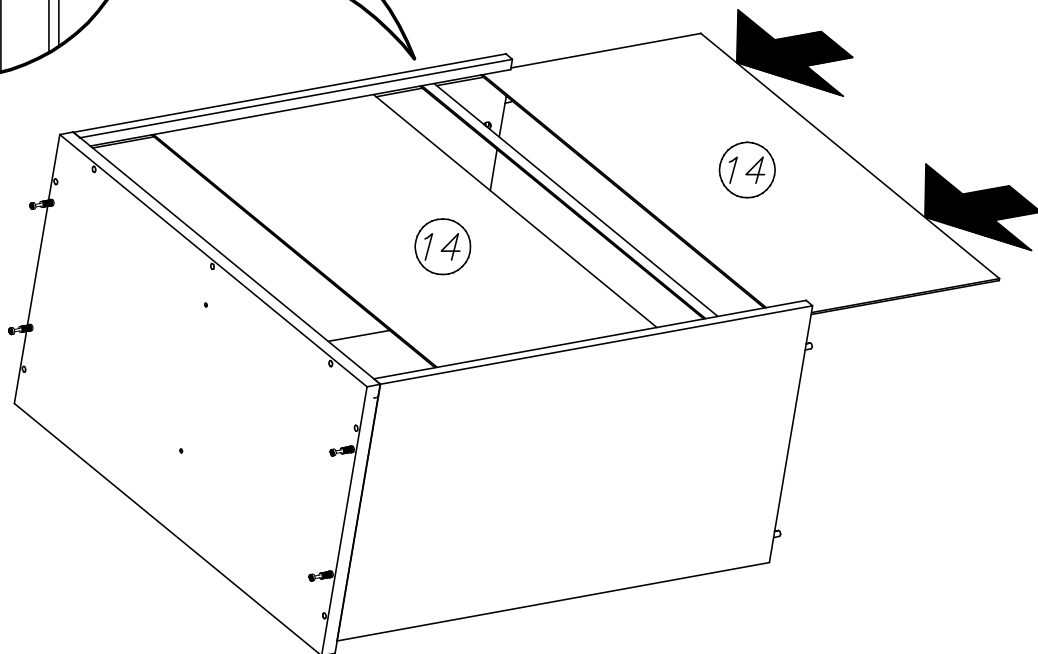
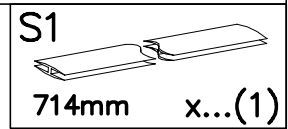
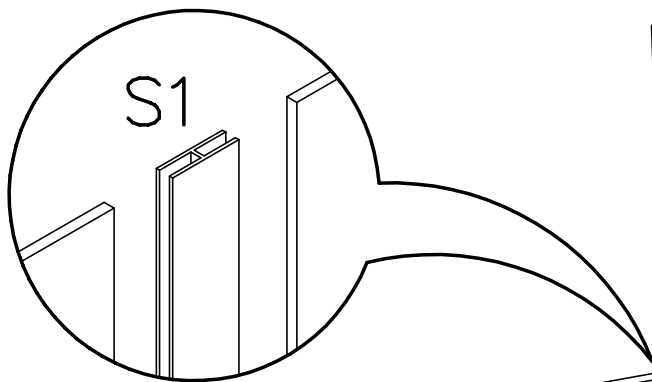


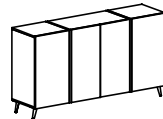


III

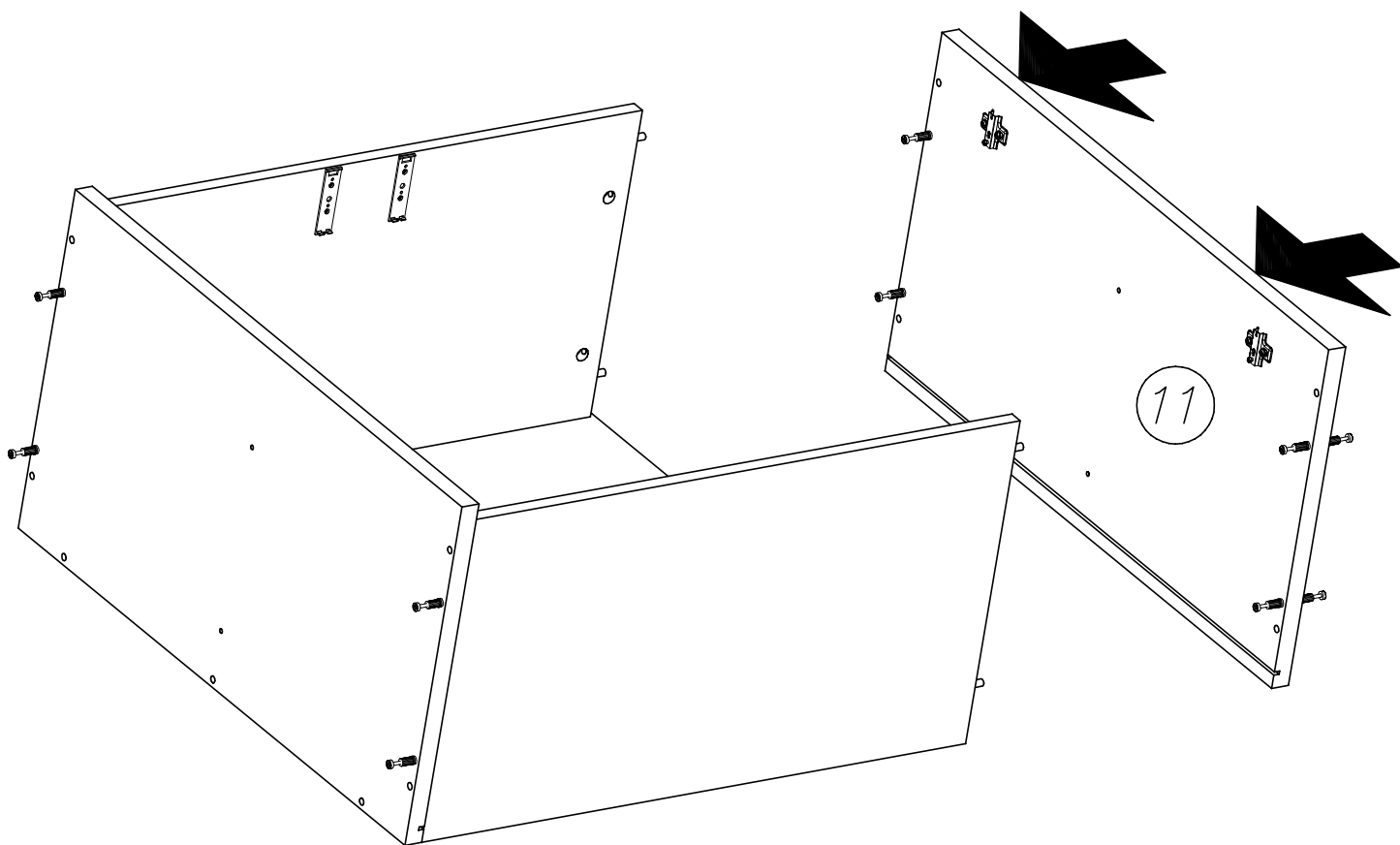
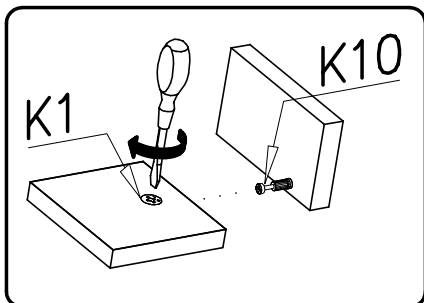


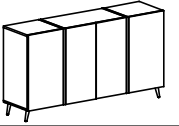
IV





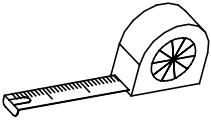
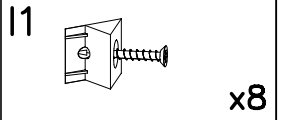
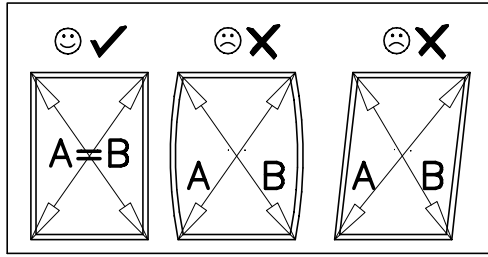
V



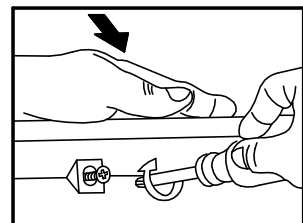
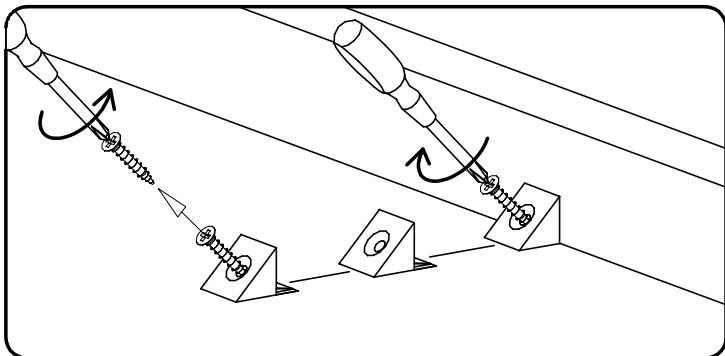
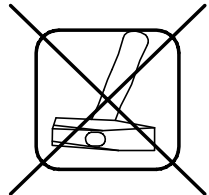
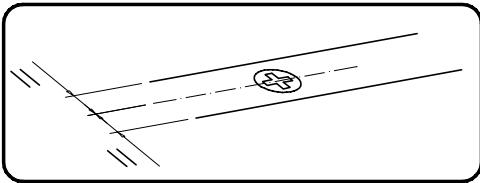
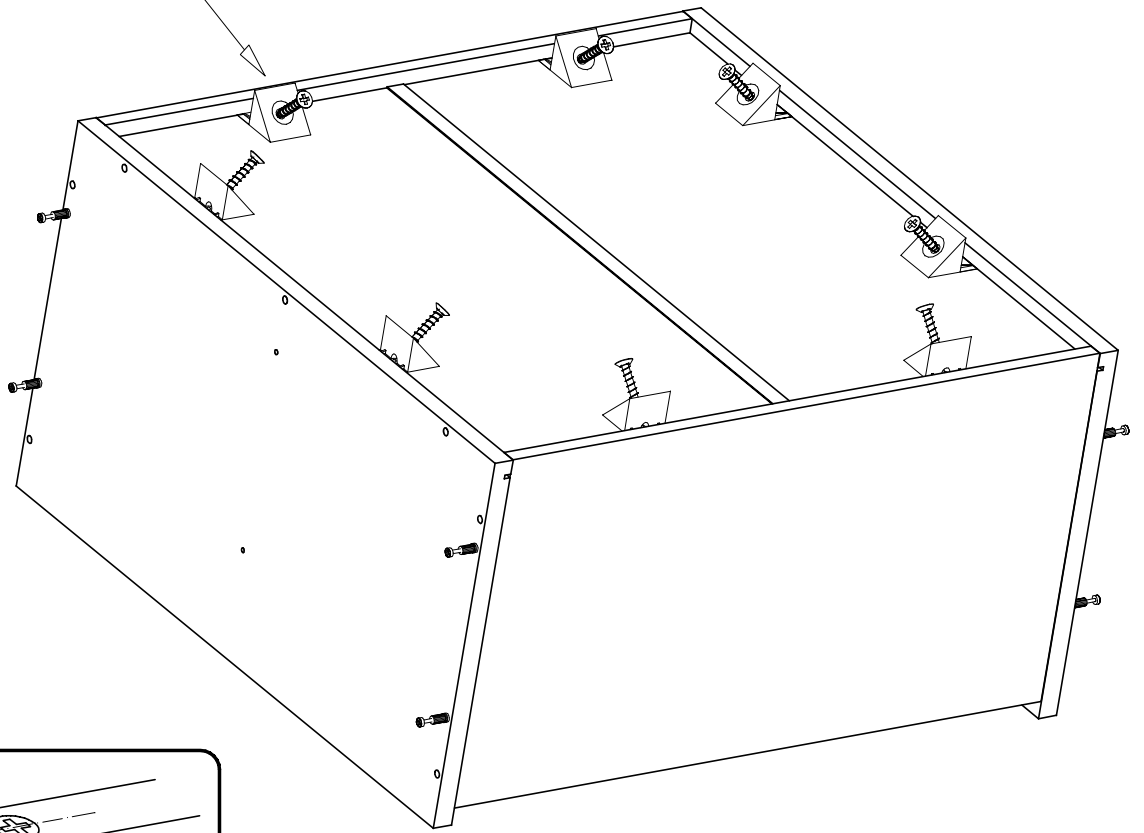


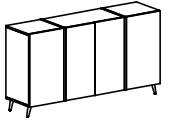
VI

A=B

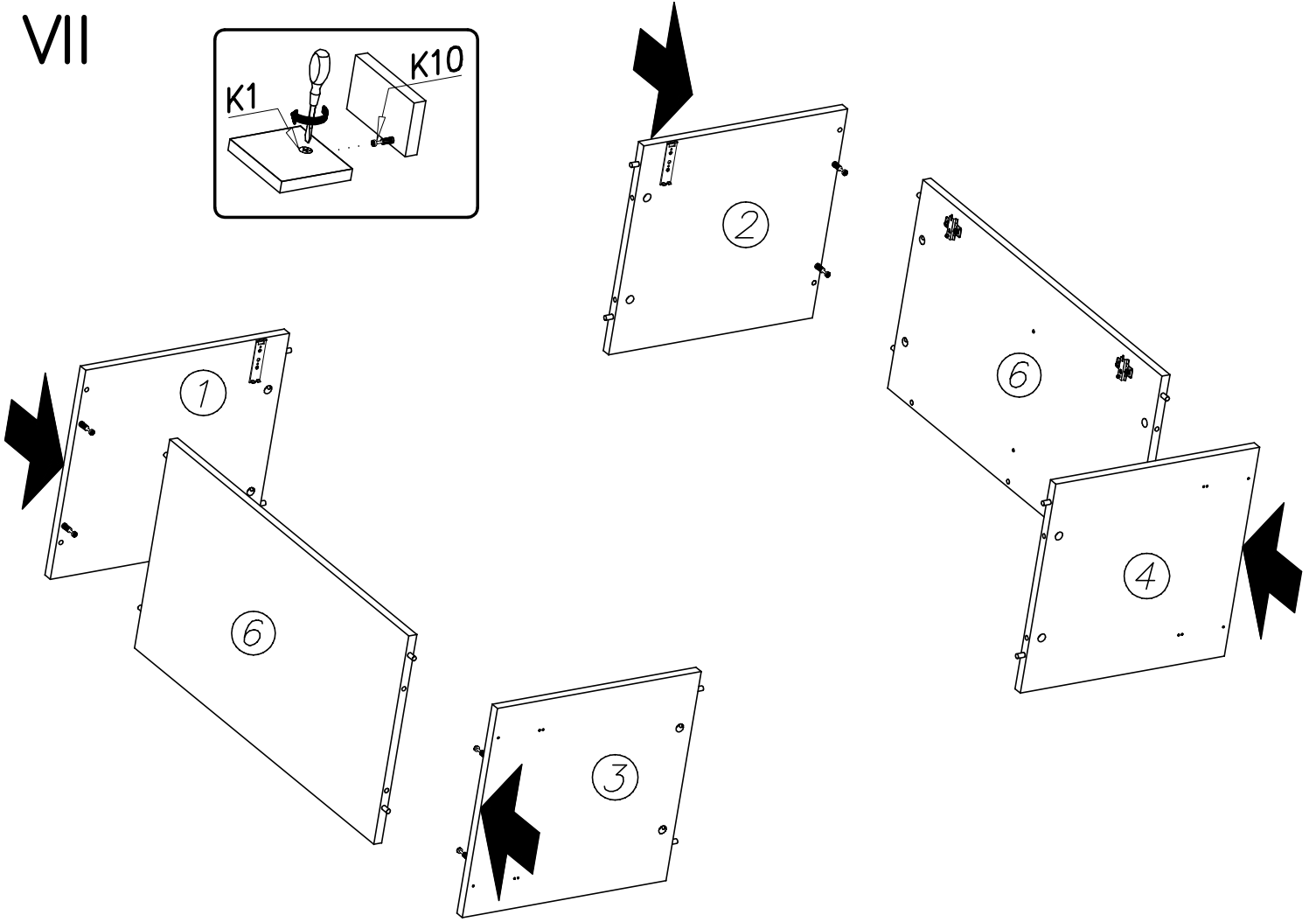
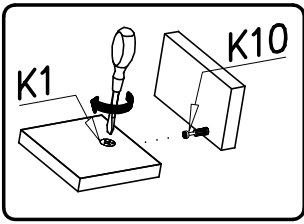


l1

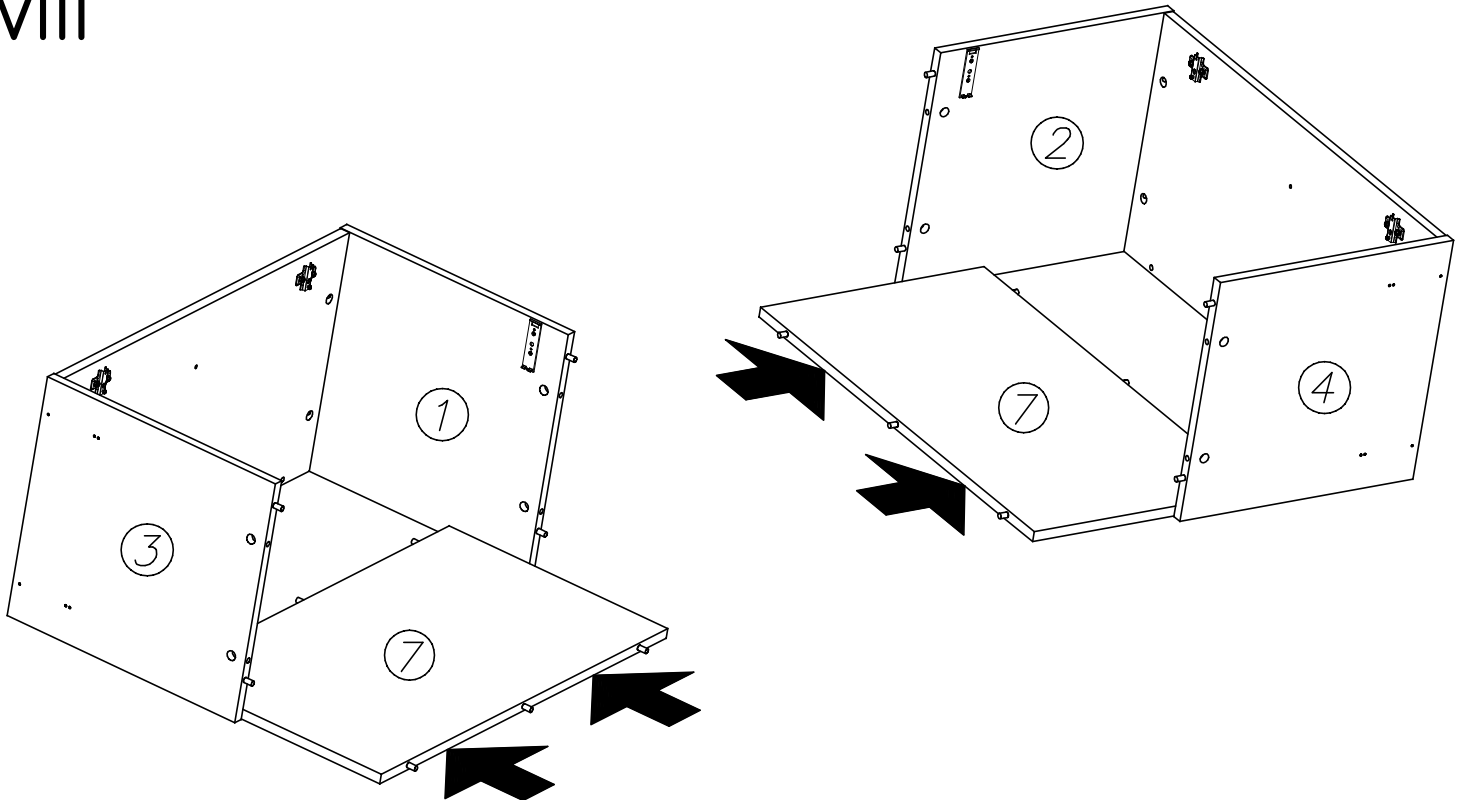


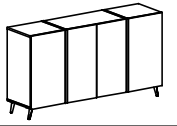


VII

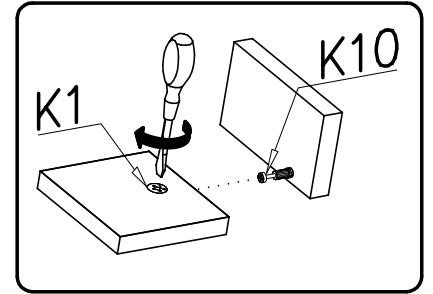
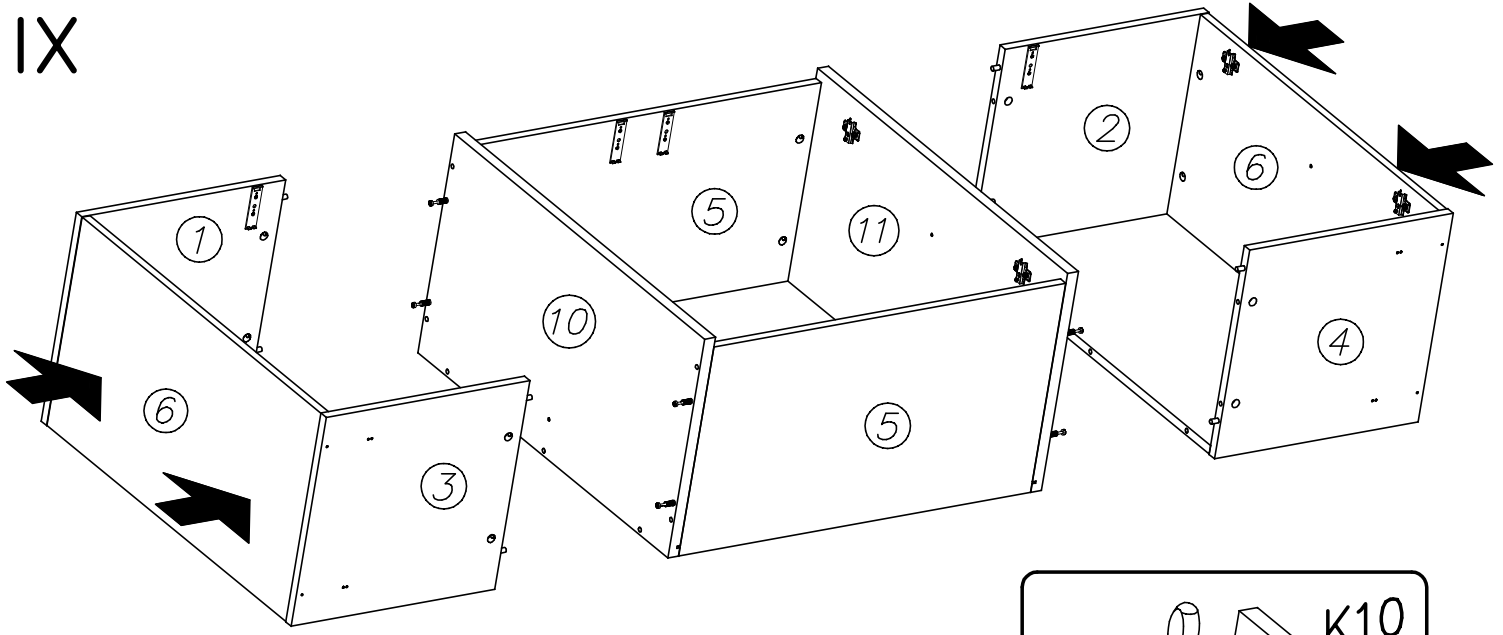


VIII

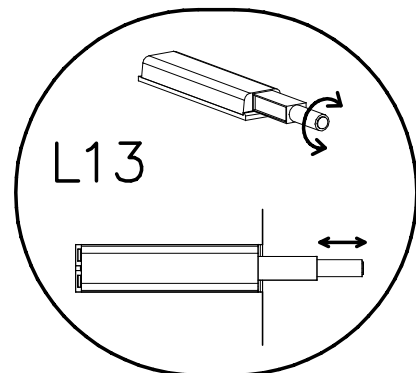
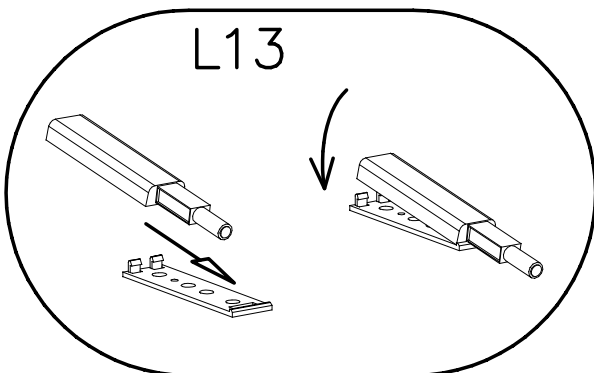
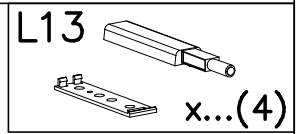
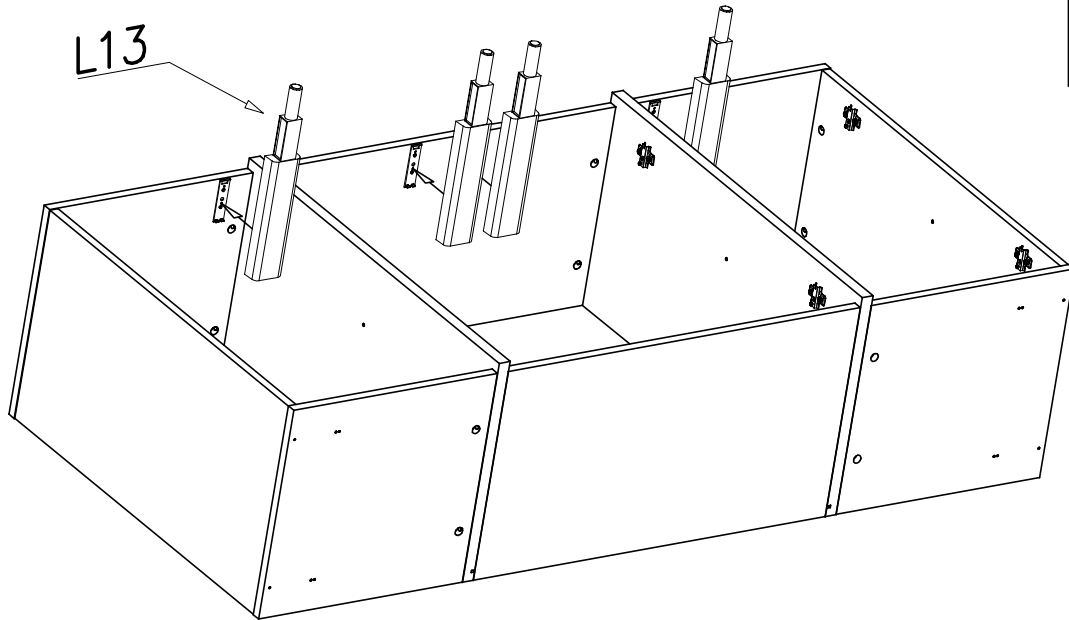


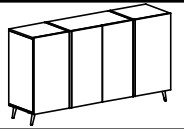


IX



X





XI

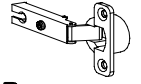
G4



4x16

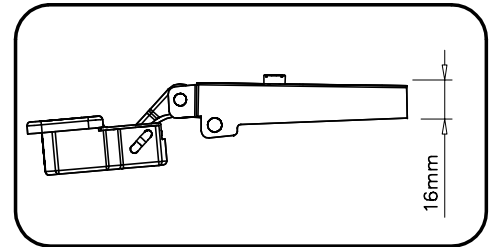
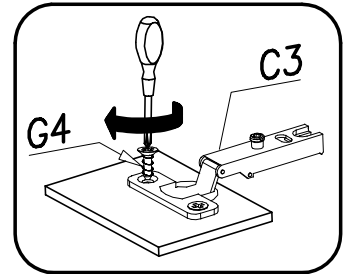
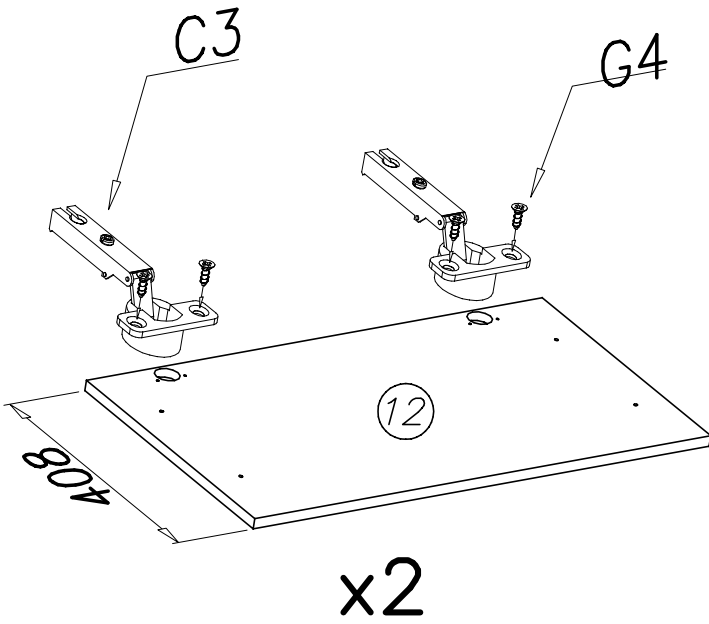
x...(8)

C3



Z35PR

x...(4)



XII

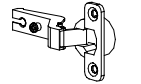
G4



4x16

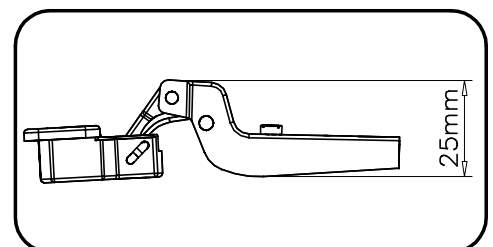
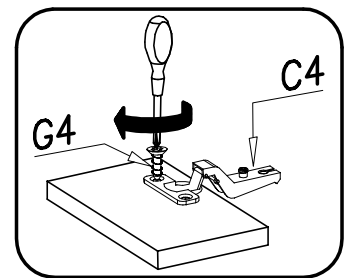
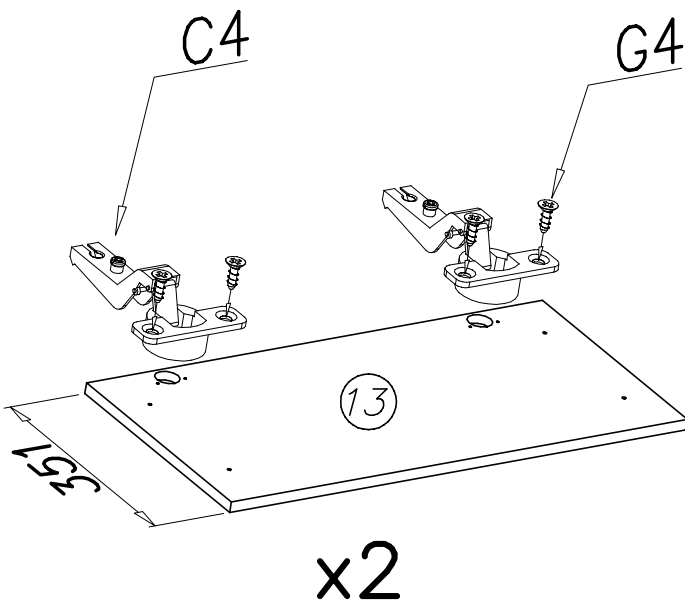
x...(8)

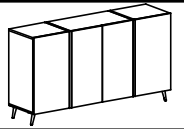
C4



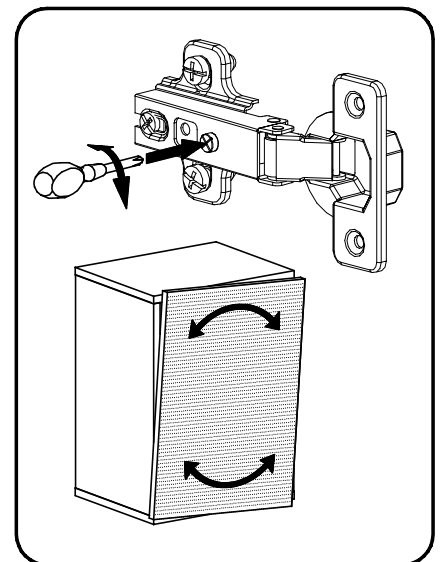
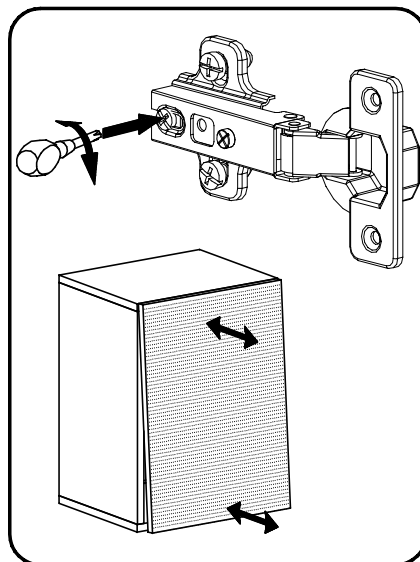
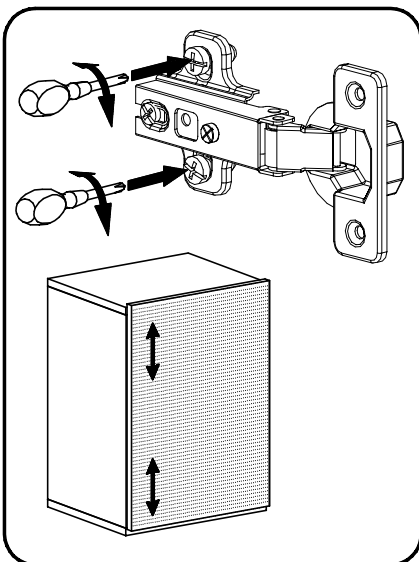
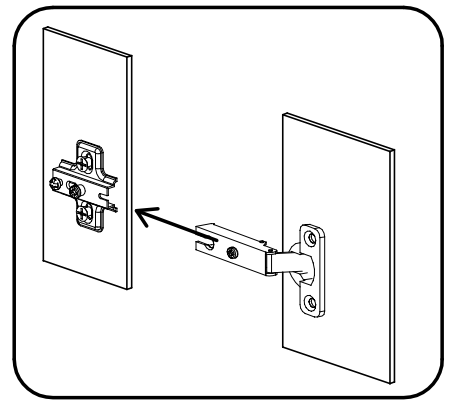
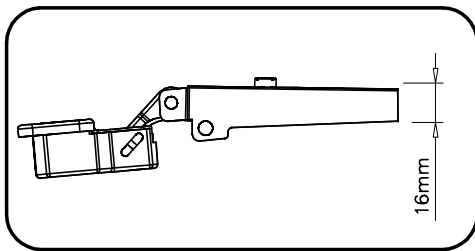
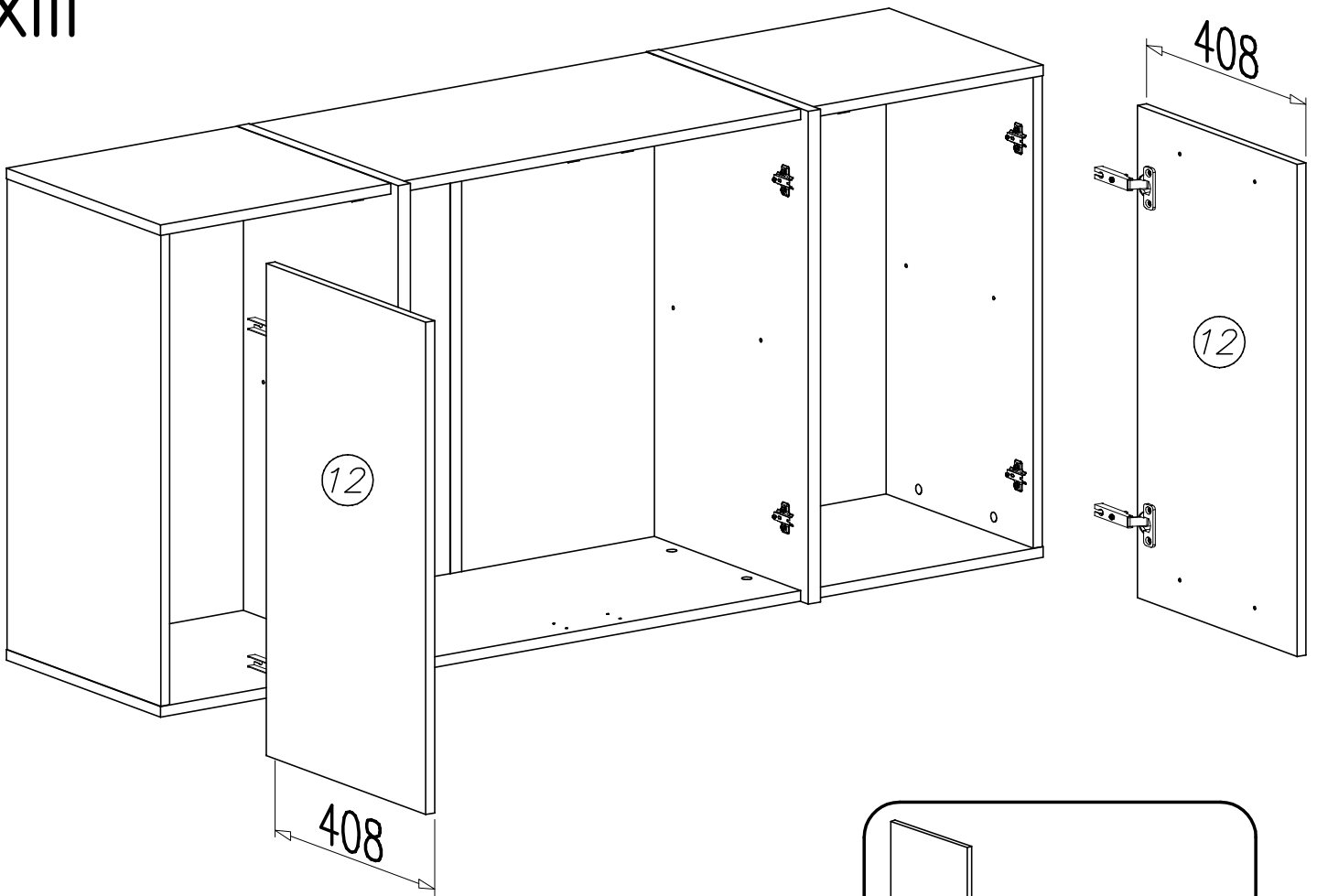
Z350D

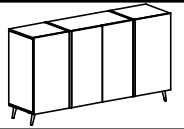
x...(4)



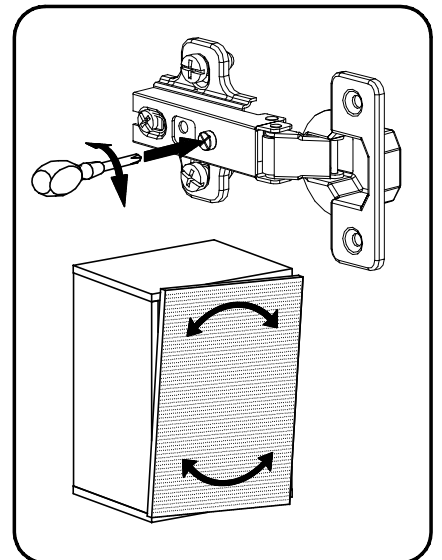
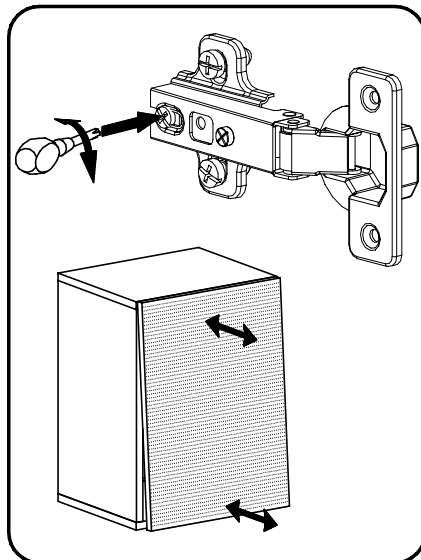
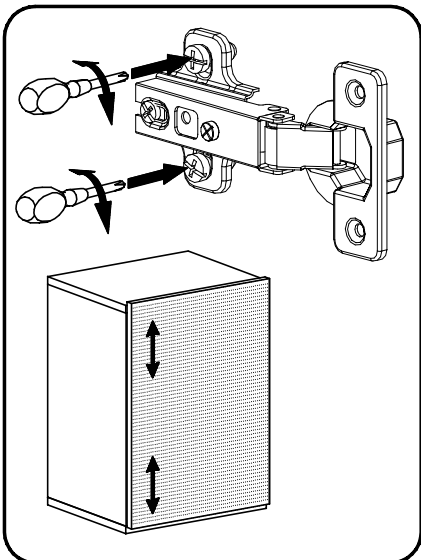
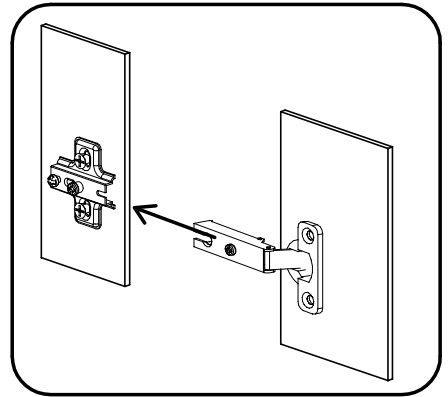
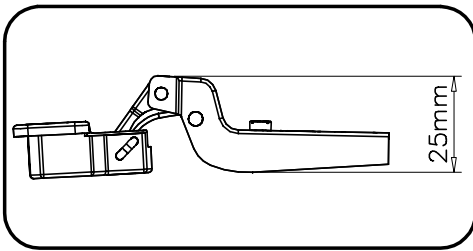
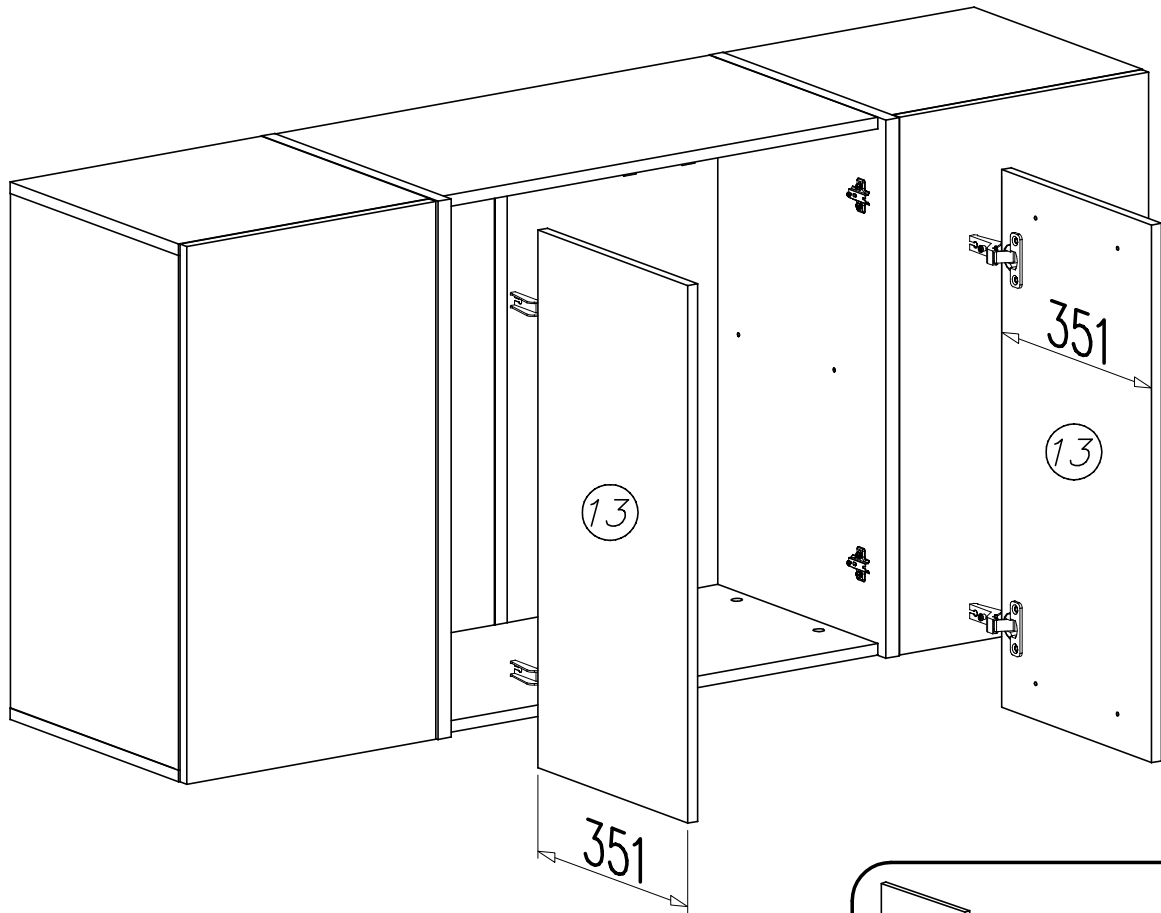


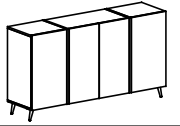
XIII



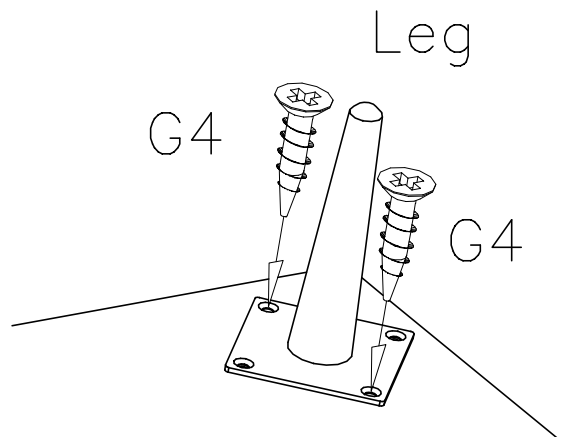
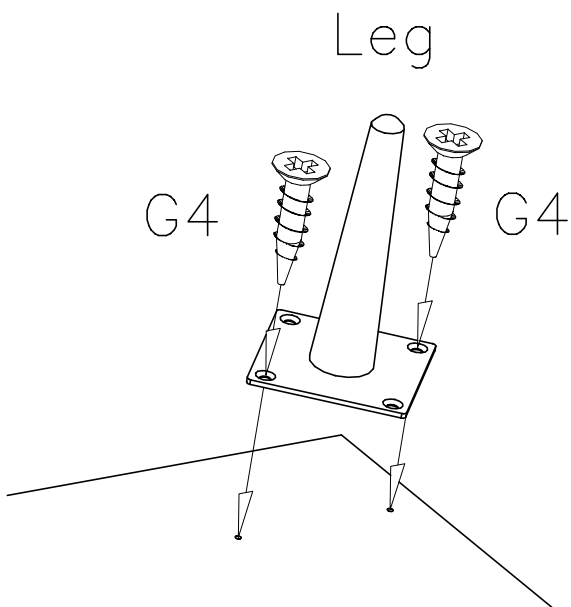
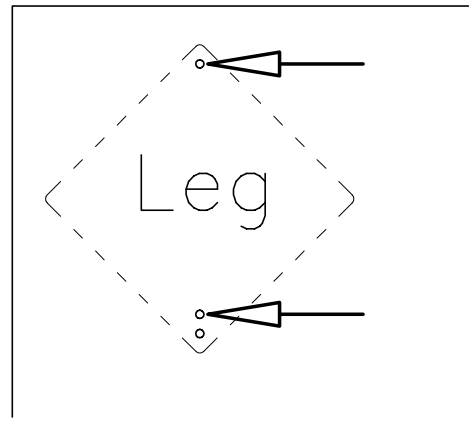
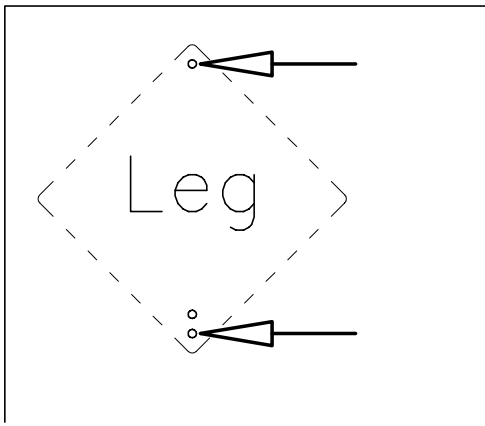
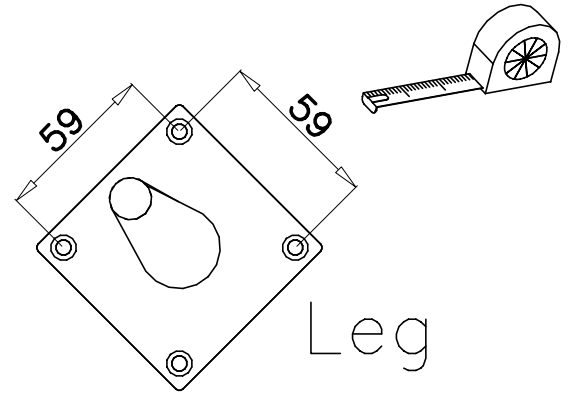
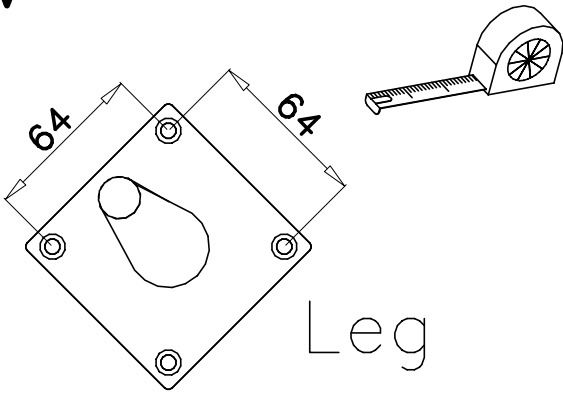


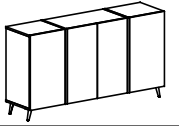
XIV



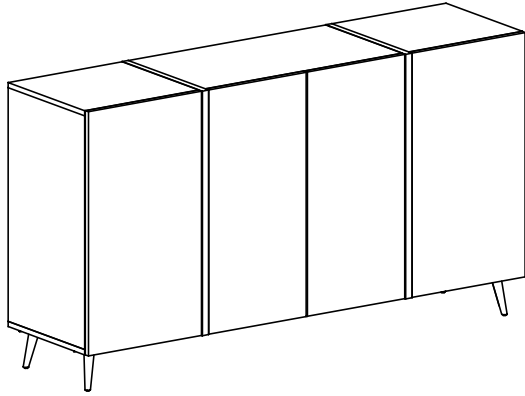


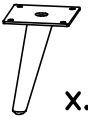
XV

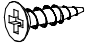


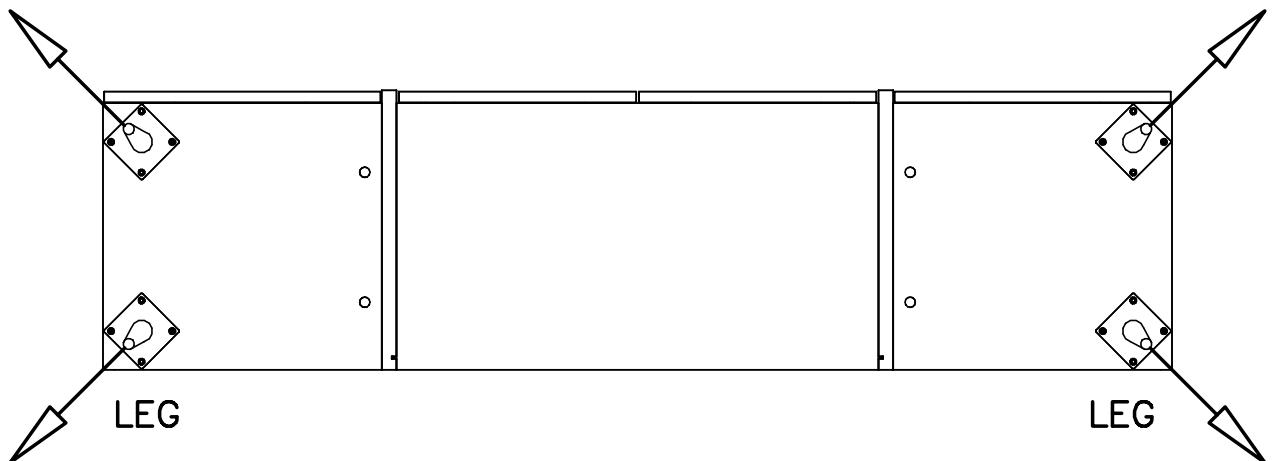
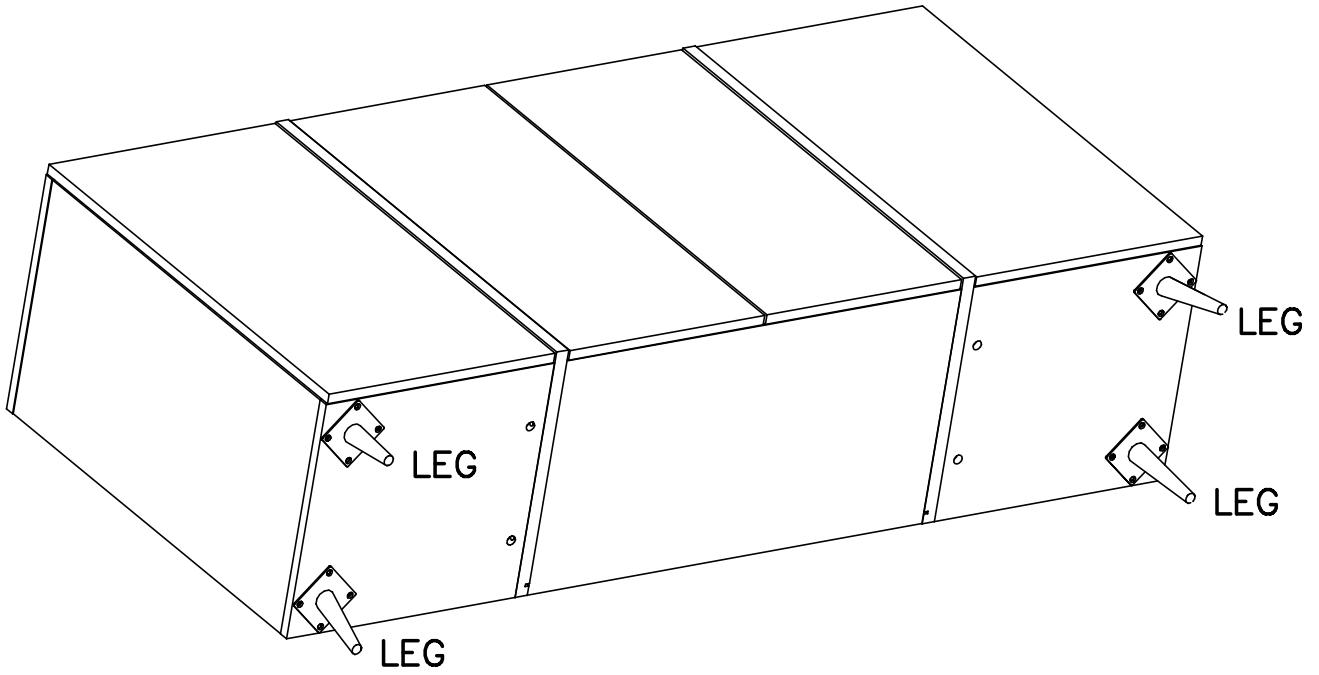


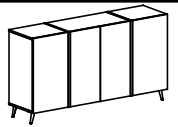
XVI



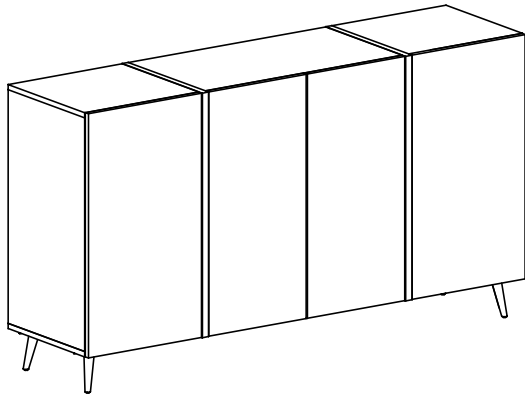
LEG  x...(4)

G4  4x16 x...(16)

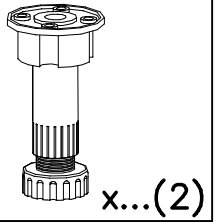




XVII



P19

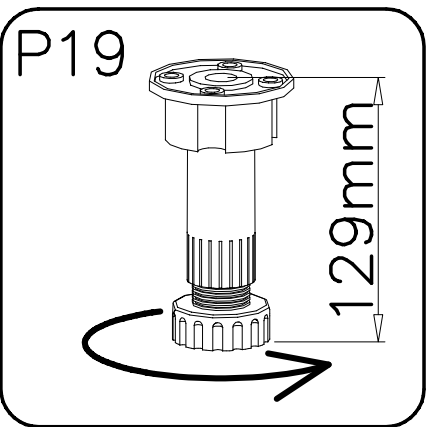
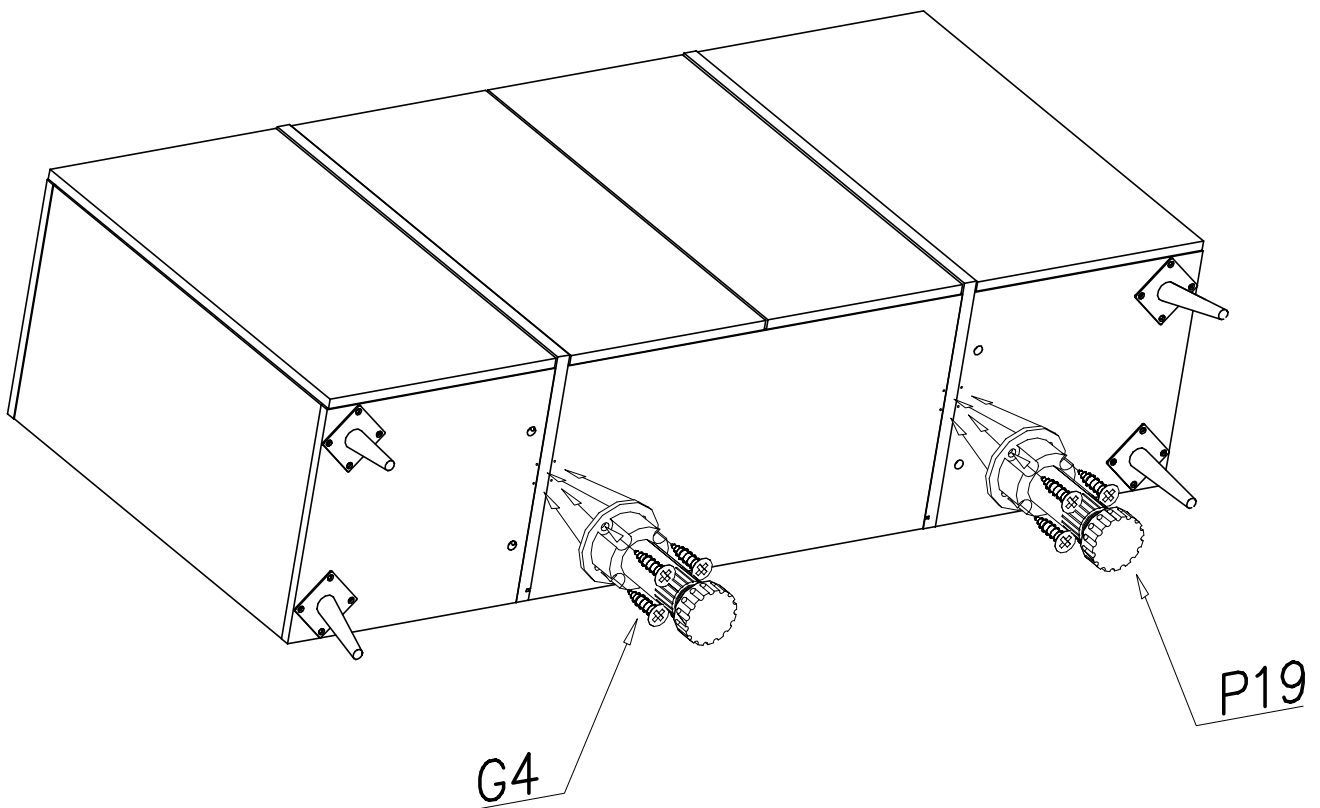


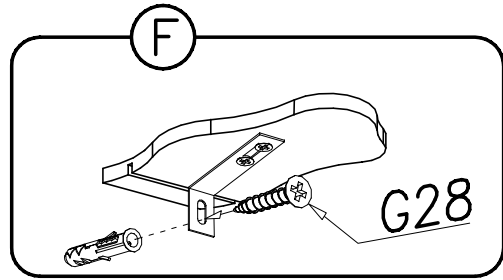
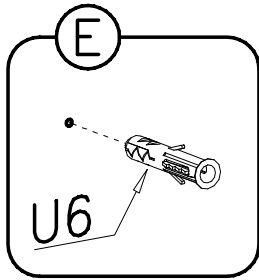
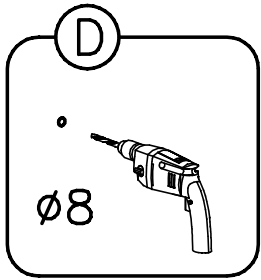
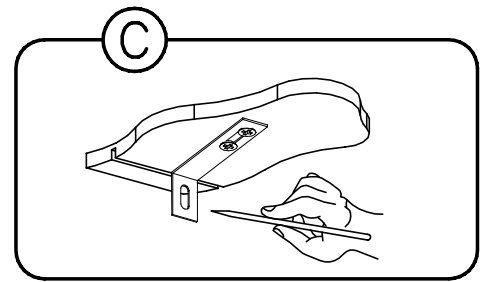
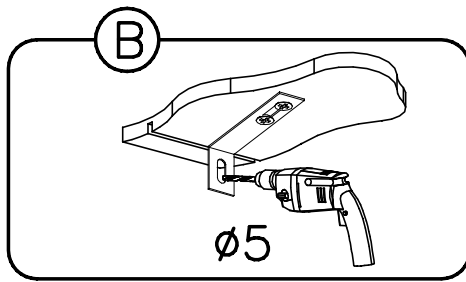
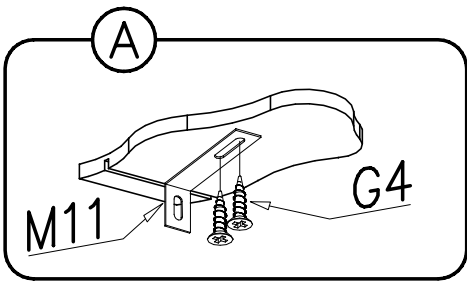
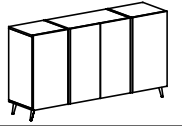
G4



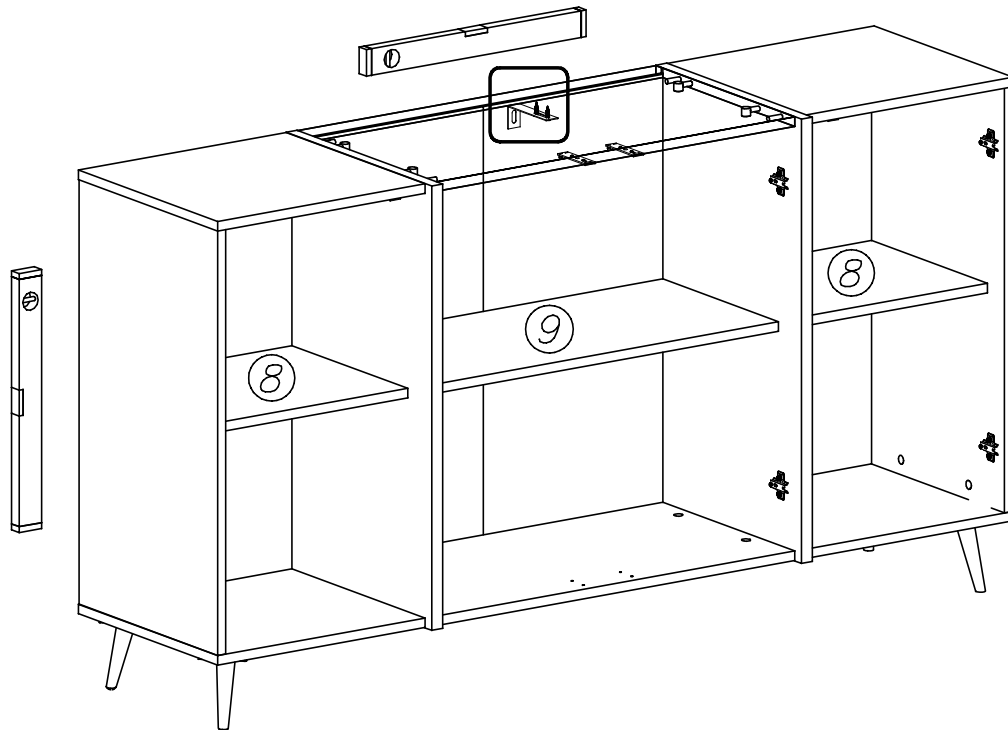
4x16

x...(8)

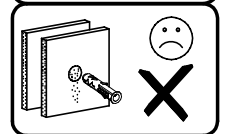
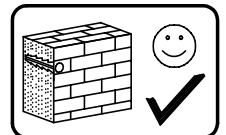




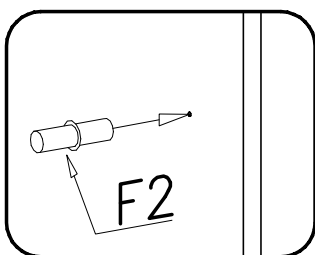
XVIII



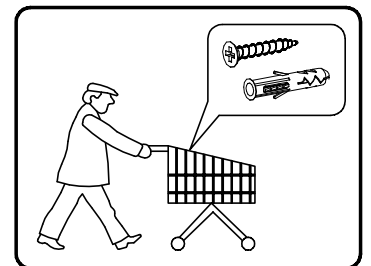
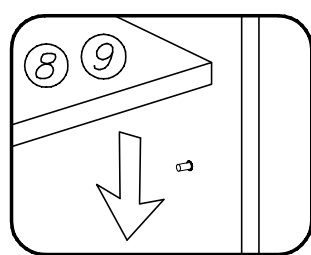
G4		4x16	x...(2)
F2			x...(12)
U6		ø8x40	x...(1)
G28		4x60	x...(1)
M11			x...(1)

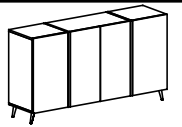


1



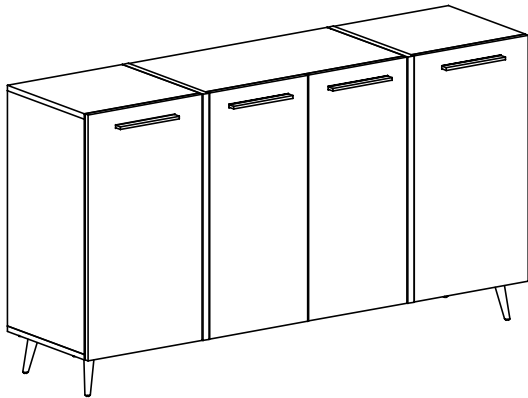
2





XIX

Uchwyty, Griffe, Handles, alças,
maniglie, manijas, poignées,
handvatten.

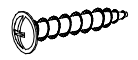


E88



x...(4)

G8



4x30

x...(8)

I7



x...(24)

