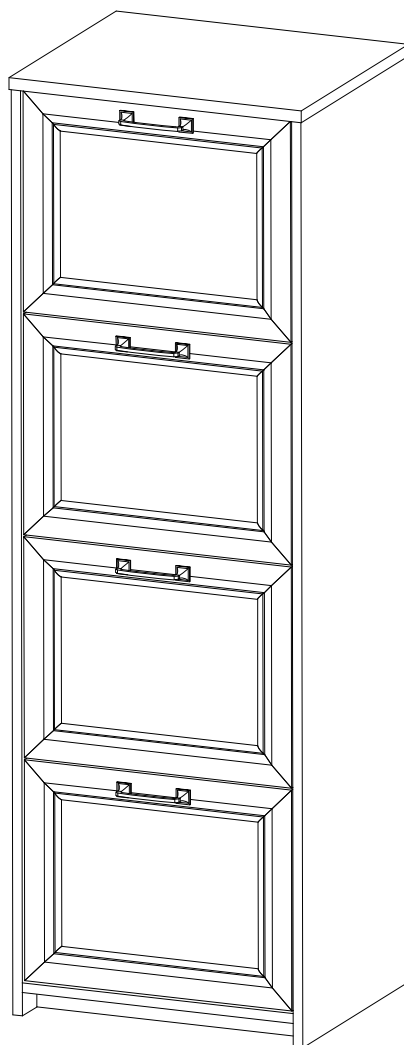


ASSEMBLY INSTRUCTIONS

ITEM#: GM4708

Important Safety Instructions:

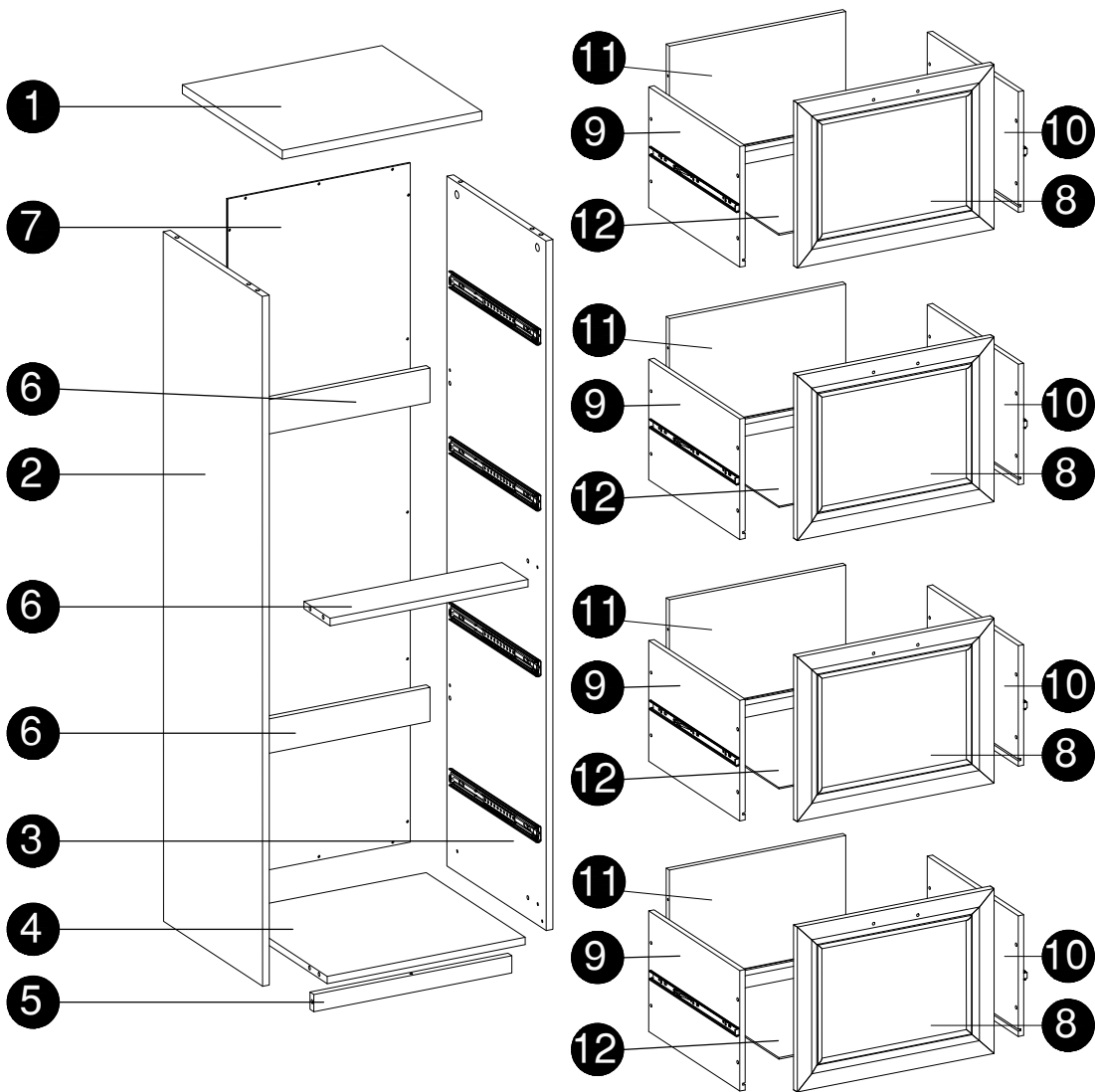
- Please read all instructions before beginning assembly
- Please make sure receive all the parcels to start the assembly
- For your safety and convenience, assembly by two people is recommended
- Use the parts and hardware lists to identify and separate each of the components included
- Save all packing materials until assembly is completed to avoid the accidental discarding of smaller parts or hardware
- Use of power tools is not recommended
- The tall cabinet includes wall attachment hardware for add safety



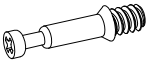


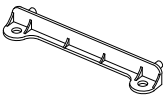

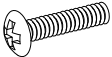
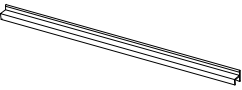
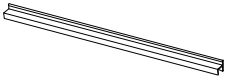
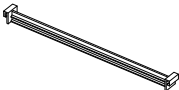
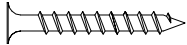


THANK YOU FOR PURCHASING

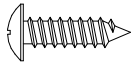
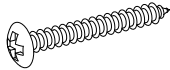
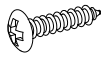
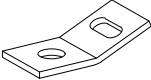
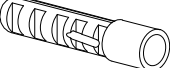

PARTS LIST

- | | | | | |
|------|------|------|------|------|
| ① X1 | ② X1 | ③ X1 | ④ X1 | ⑤ X1 |
| ⑥ X3 | ⑦ X1 | ⑧ X4 | ⑨ X4 | ⑩ X4 |
| ⑪ X4 | ⑫ X4 | | | |



HARDWARE LIST

Name	Part	Qty.	Spare
A		17	1
B		17	1
C		10	1
D		8	
E		4	
F	 7/8" Screw	8	1
G		4	
H		8	
I		4	
J	 1-1/2" Screw	16	1
K	 9/16" Screw	16	1
L	 1/2" Screw	16	1

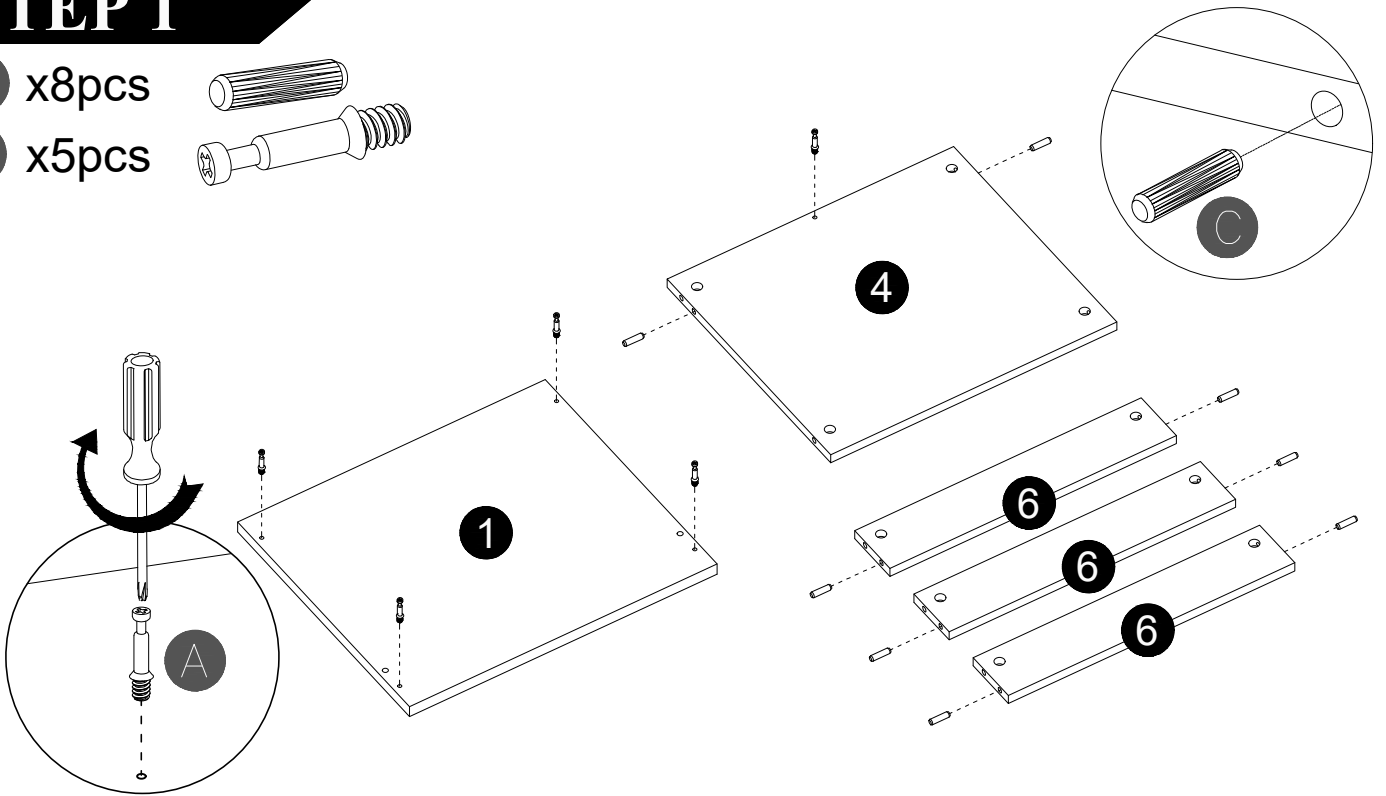
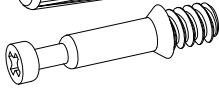
Name	Part	Qty.	Spare
M	 9/16" Screw	19	2
U1		1	
U2		1	
U3		2	
U4		1	
U5		1	

STEP 1

C x8pcs

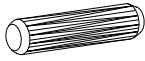


A x5pcs

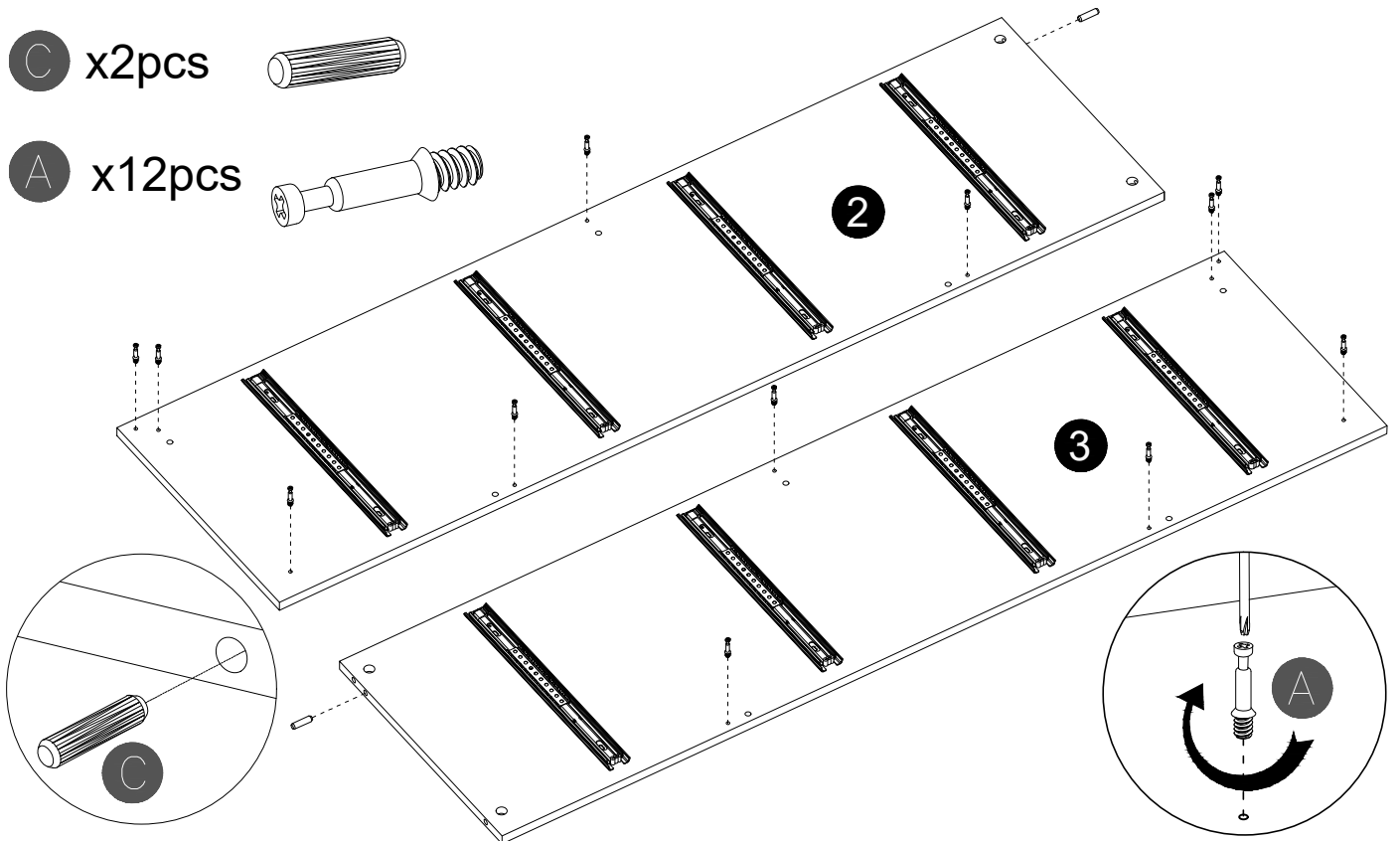
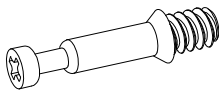


STEP 2

C x2pcs

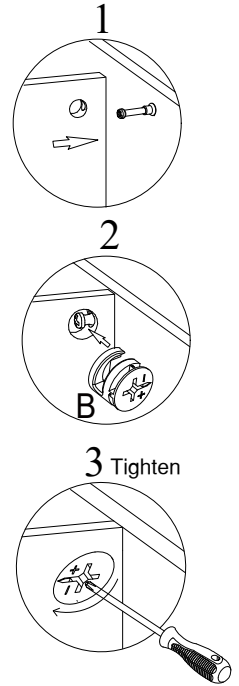
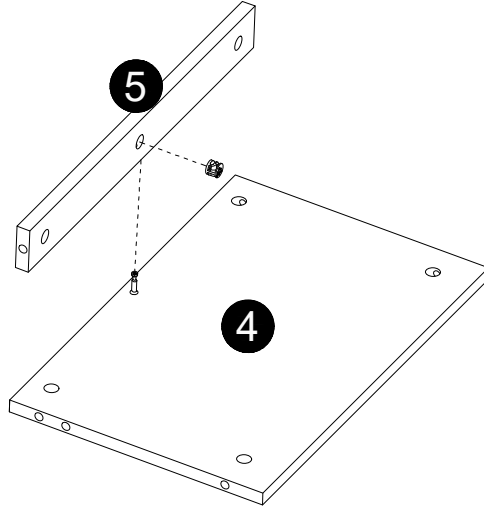
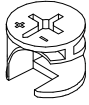


A x12pcs



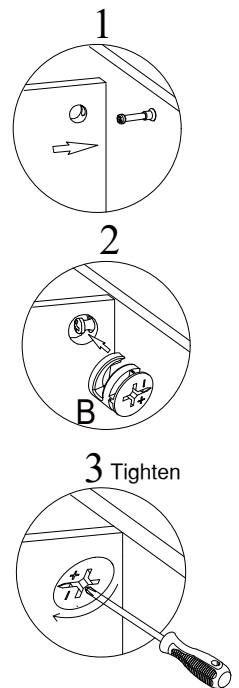
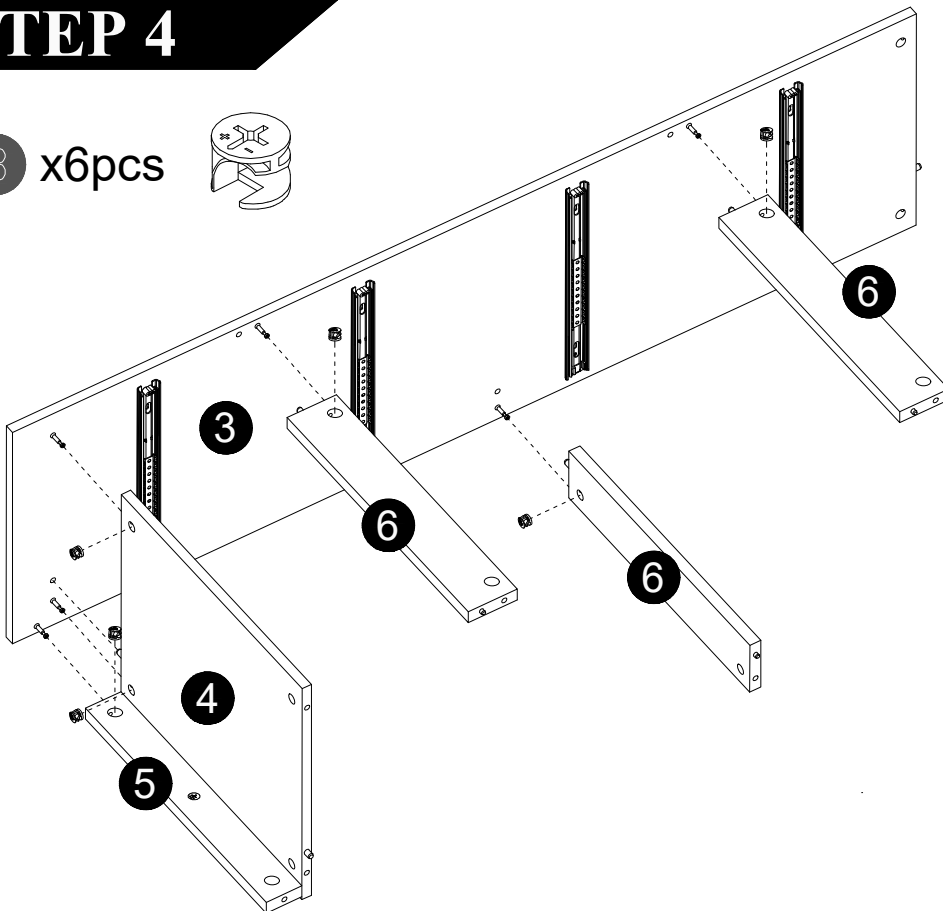
STEP 3

B x1pcs



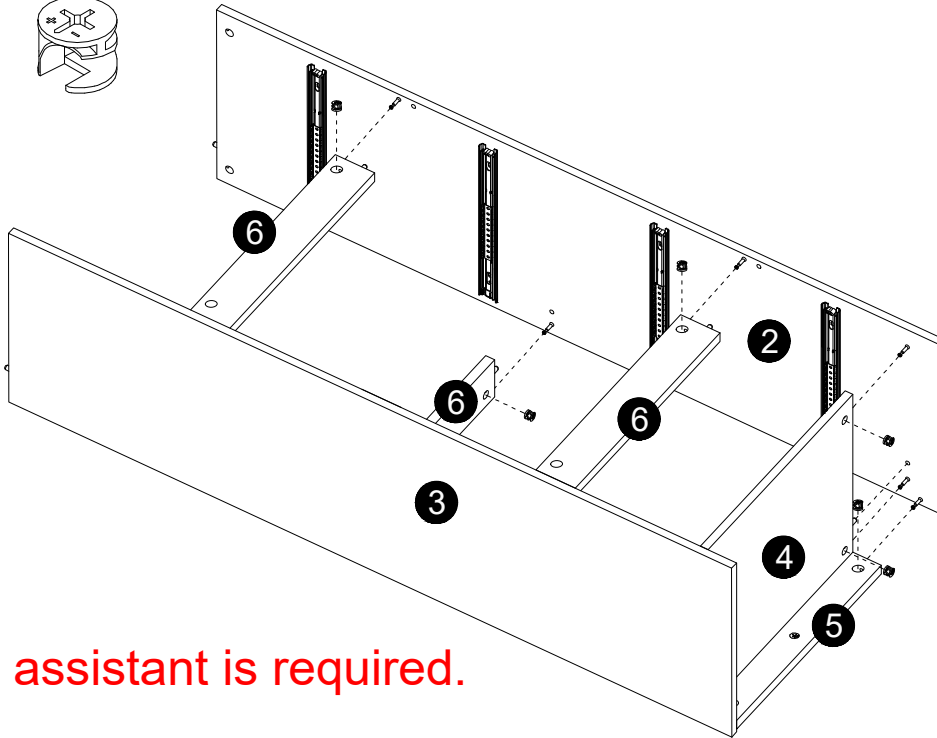
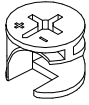
STEP 4

B x6pcs

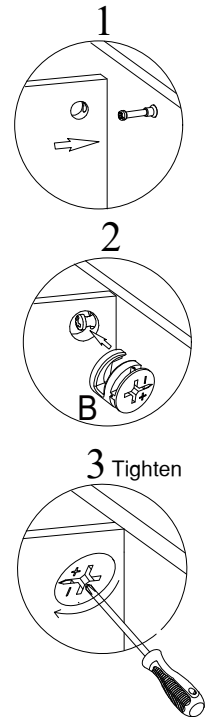


STEP 5

B x6pcs

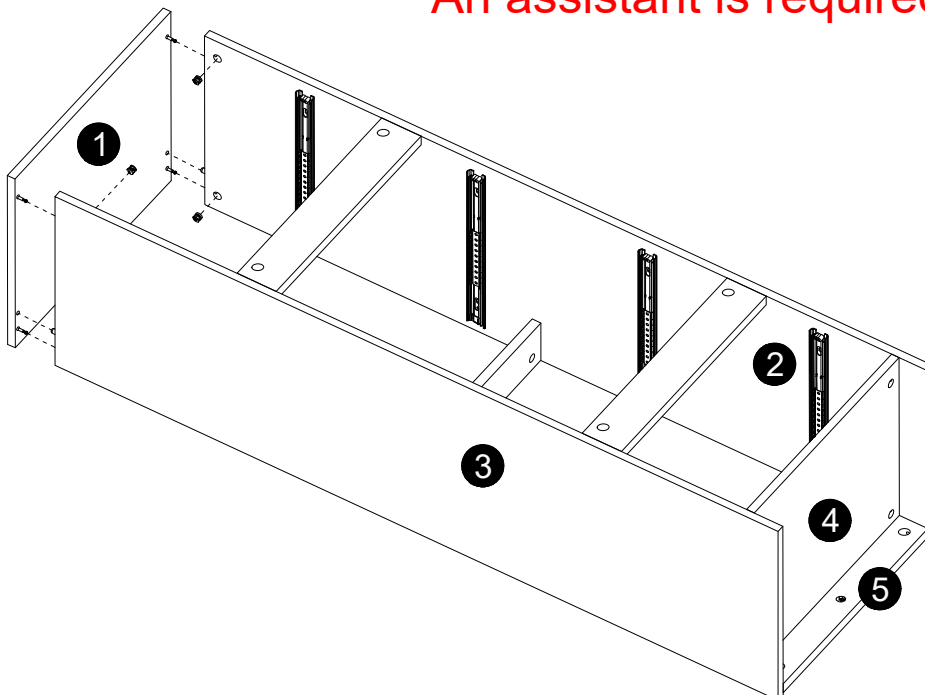


An assistant is required.

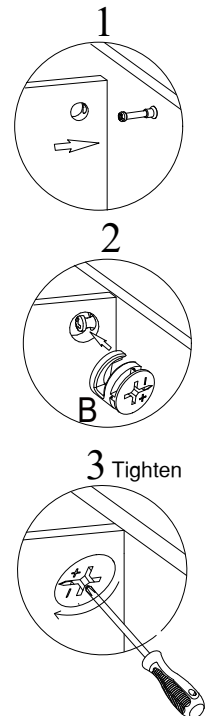


STEP 6

B x4pcs

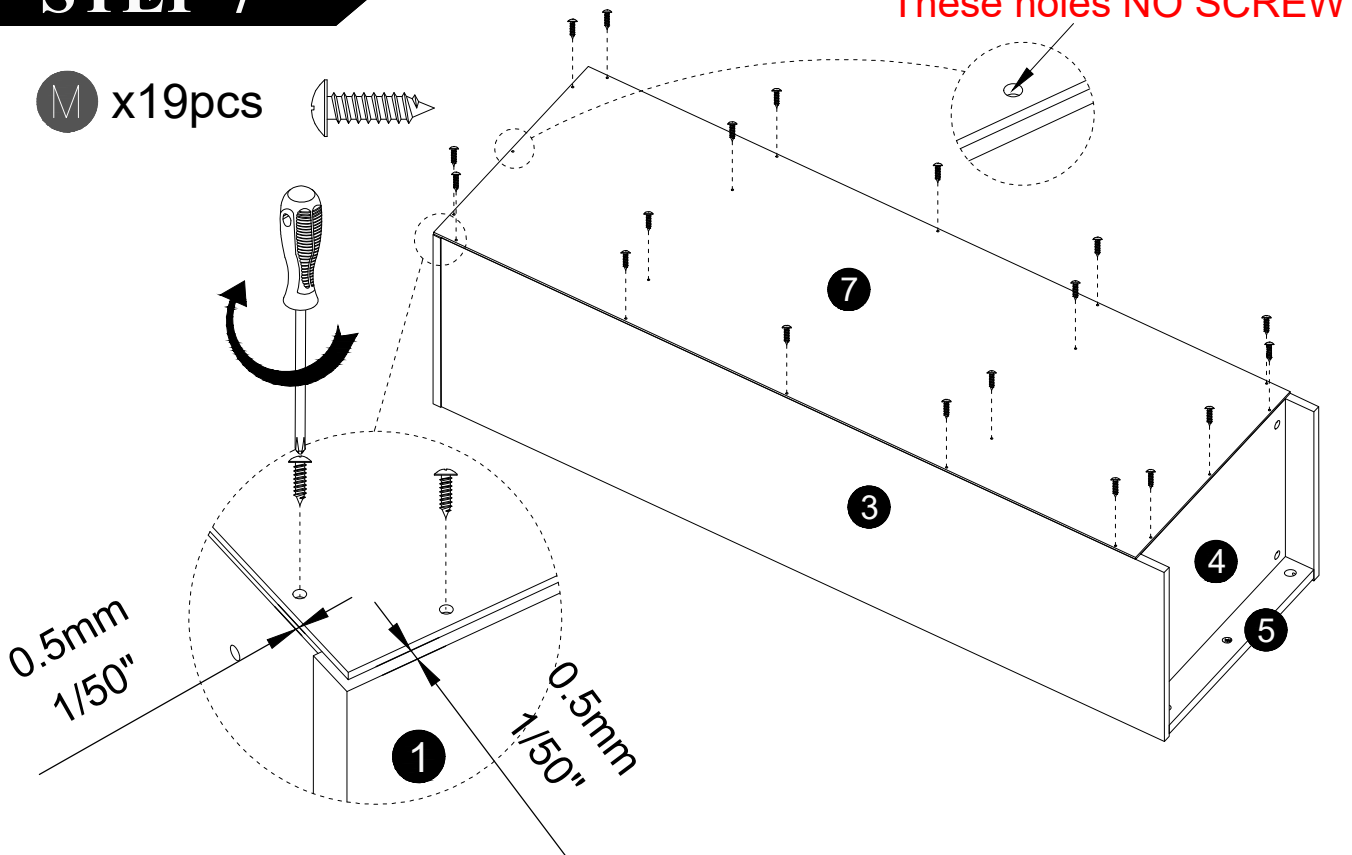
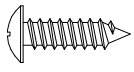


An assistant is required.



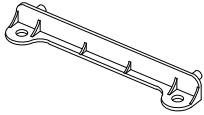
STEP 7

M x19pcs

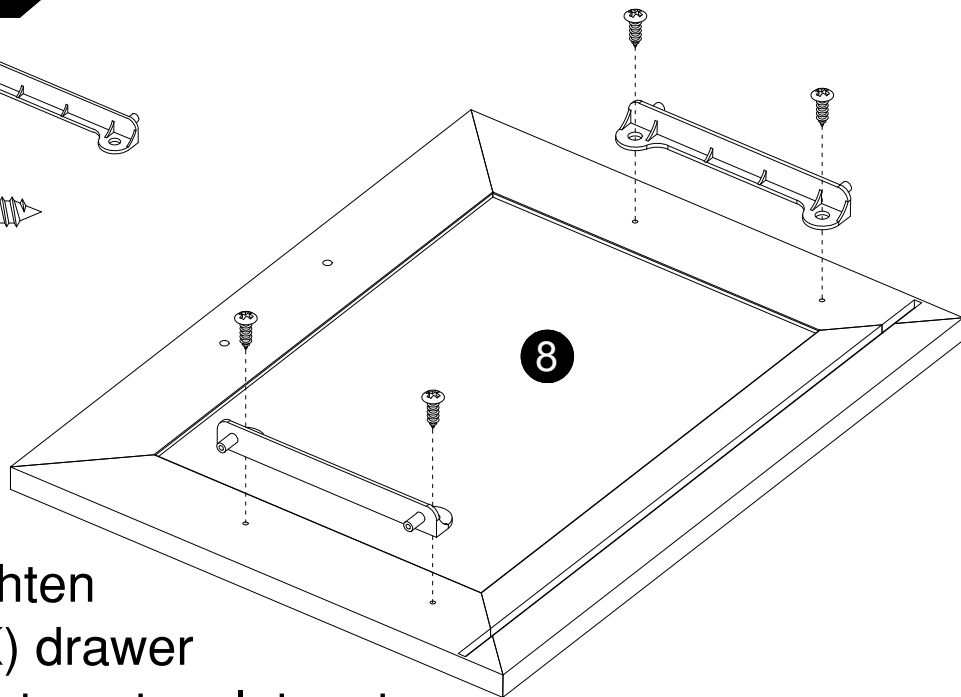
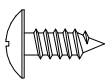


STEP 8

D x8pcs



K x16pcs



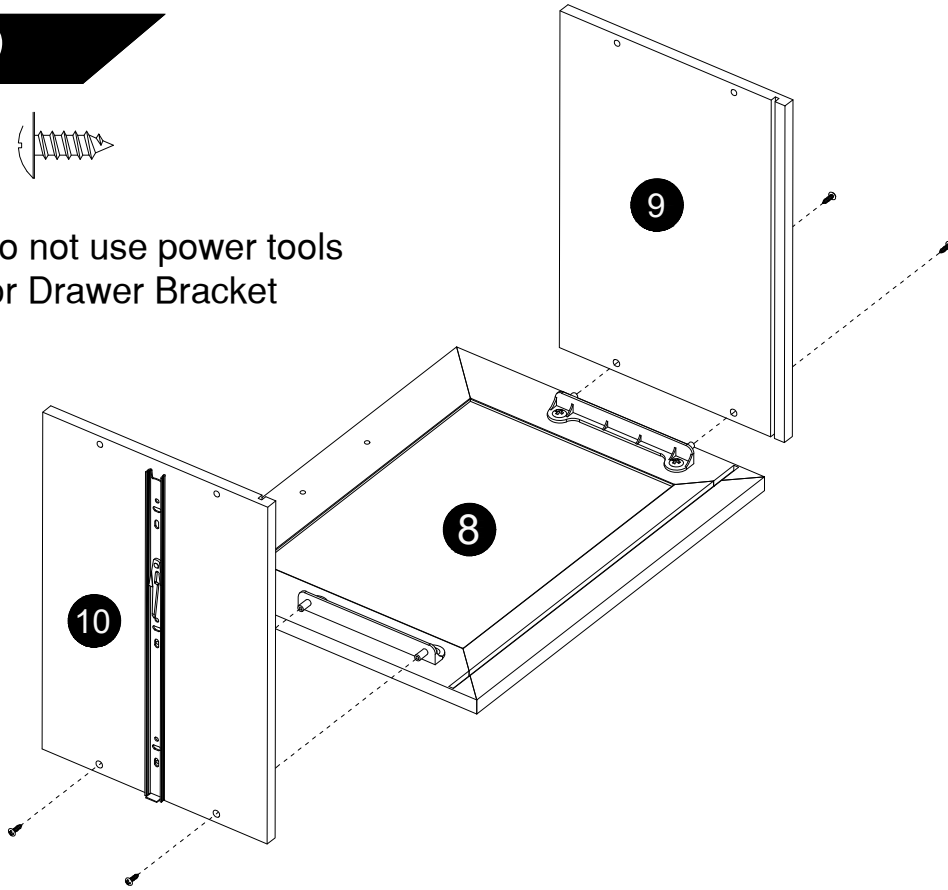
Do not tighten
screws (K) drawer
front adjustment on later step

x4

STEP 9

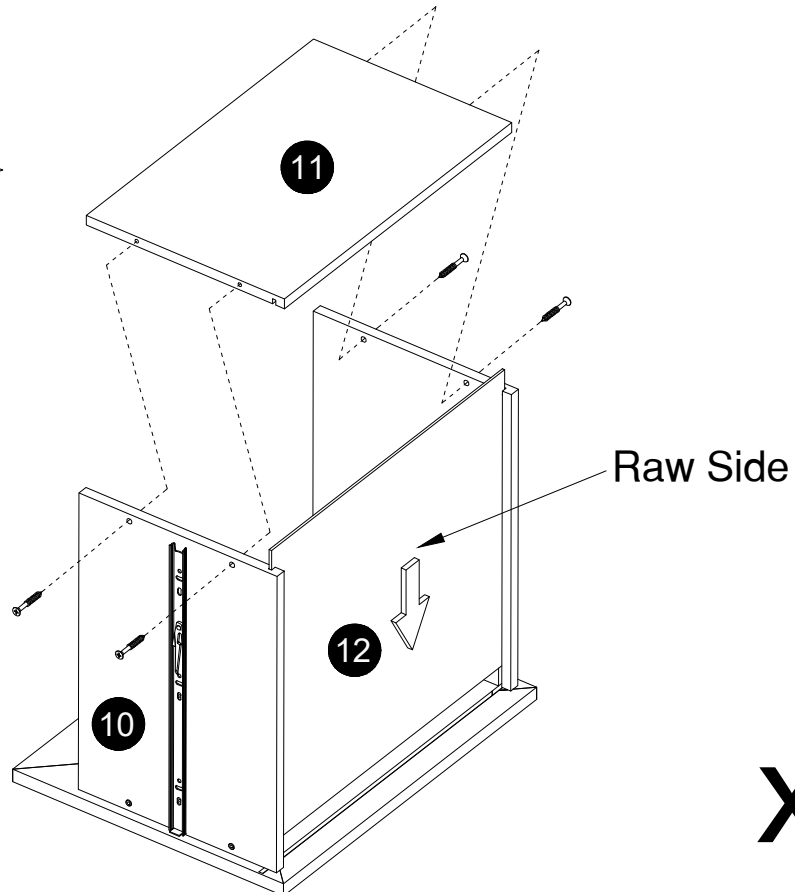
L x16pcs 

Do not use power tools
for Drawer Bracket



STEP 10

J x16pcs 

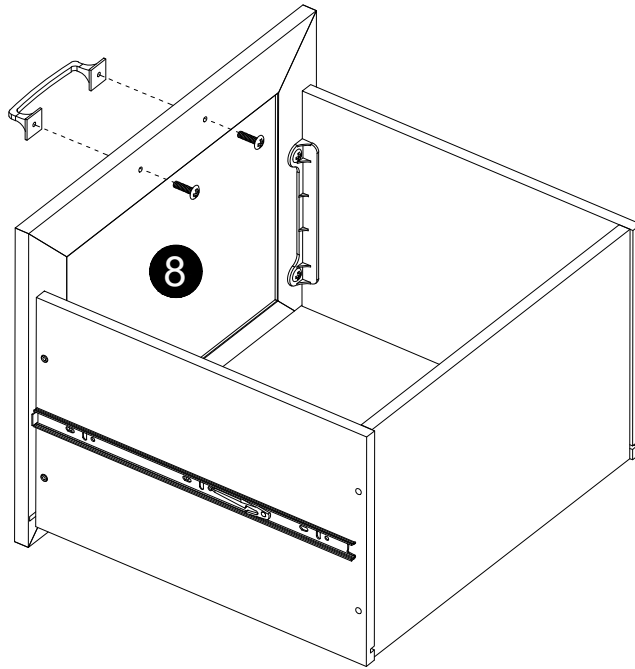
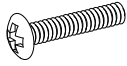


STEP 11

E x4pcs



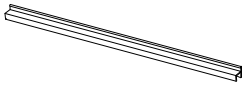
F x8pcs



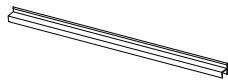
x4

STEP 12

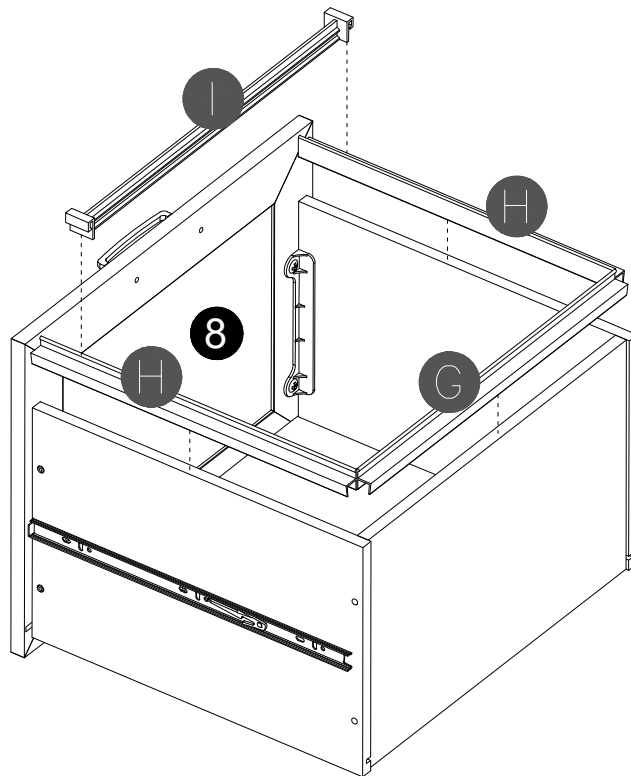
G x4pcs



H x8pcs



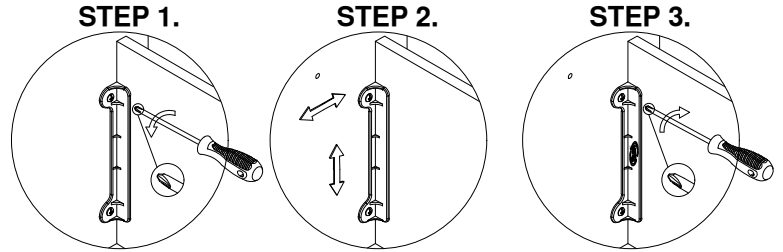
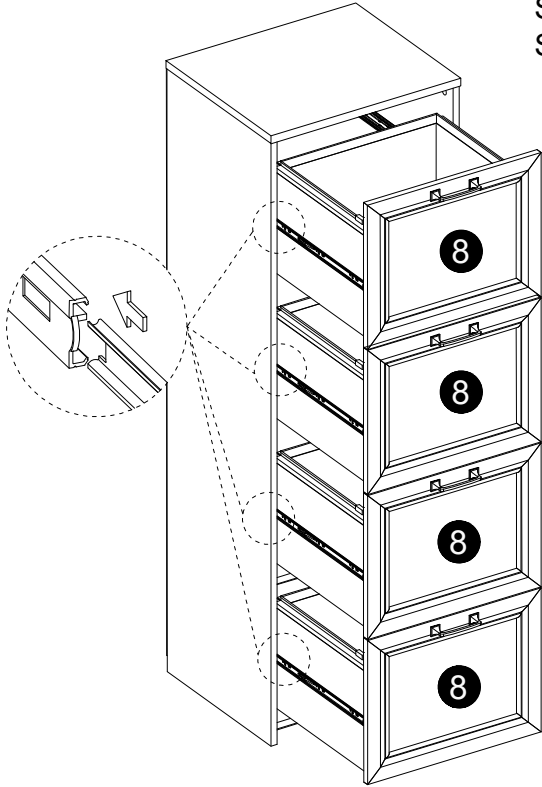
I x4pcs



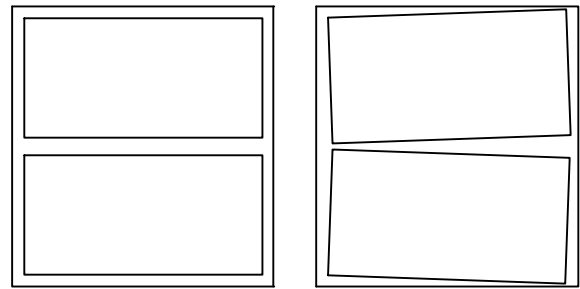
x4

STEP 13

-Move unit to final location.
-Adjust drawer fronts as shown below.
Step1--Loosen screws on back of drawer front brackets as shown.
Step2--Position drawer front as required.
Step3--Tighten screws while holding drawer front in position.



DRAWER FRONT VIEW

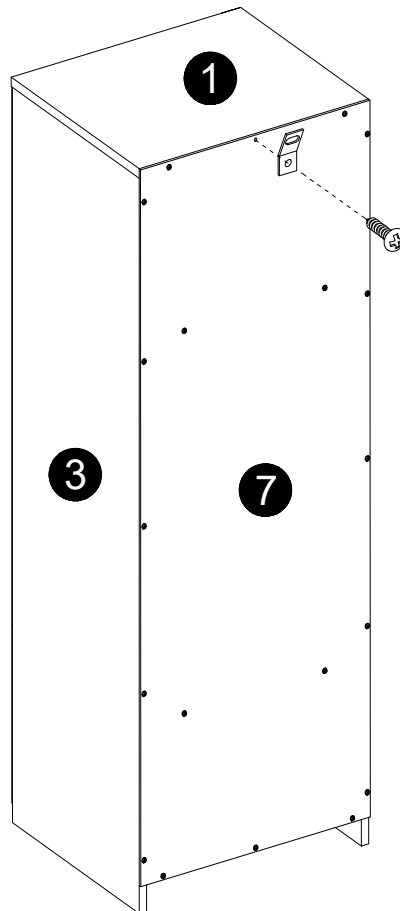
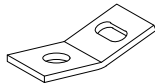


STEP 14

U₂ x1pcs

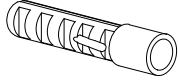


U₃ x1pcs

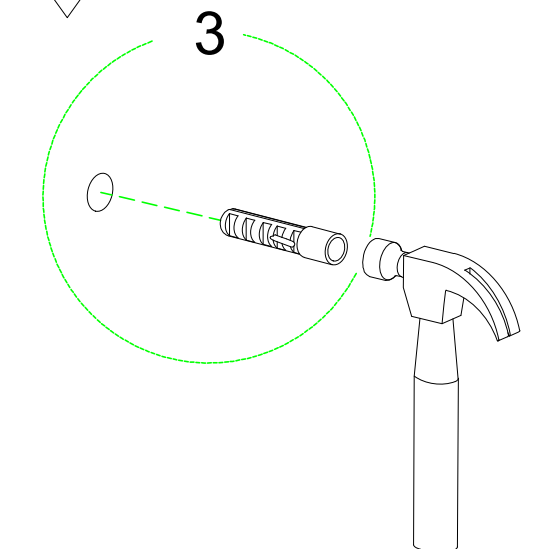
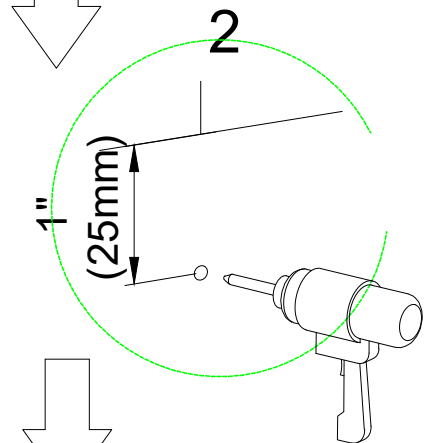
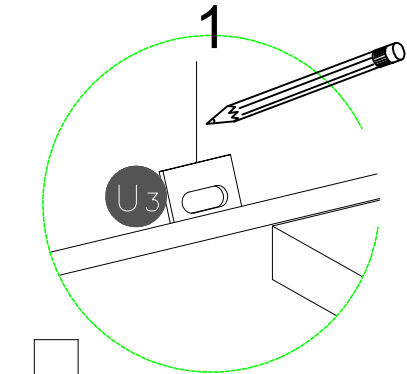
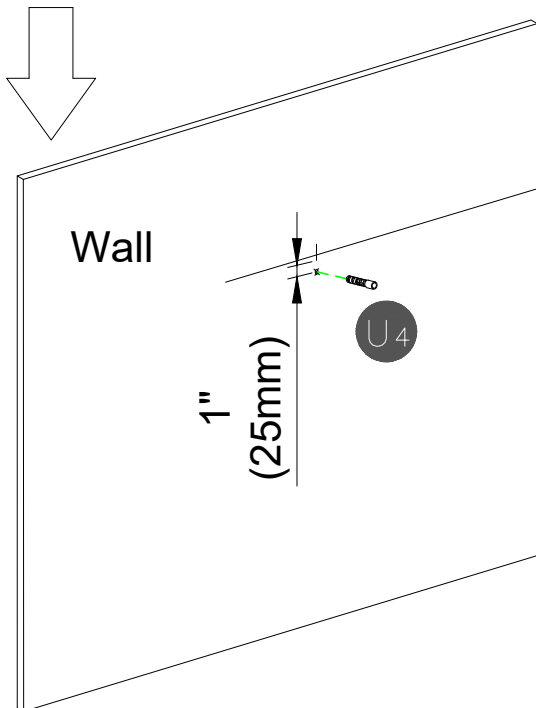
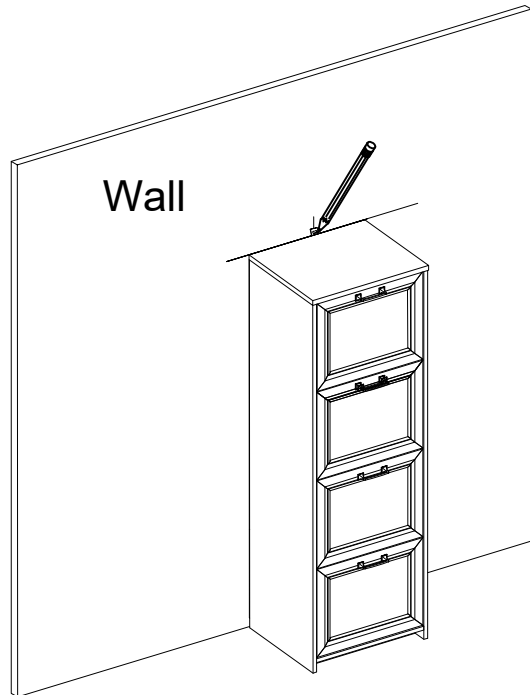


STEP 15

U₄ x1pcs

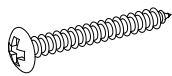


1. Place unit in desired location.
2. Mark stud location on the wall, 1" below top and side of unit.
3. Drill 5/16" hole 2" deep at marks on the wall.

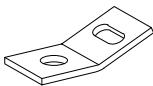


STEP 16

U₁ x1pcs



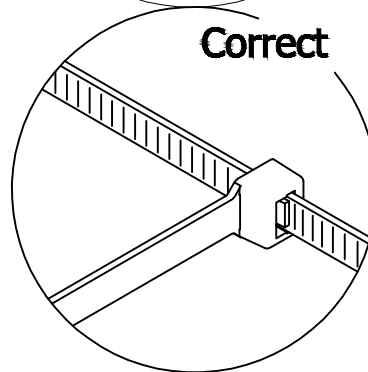
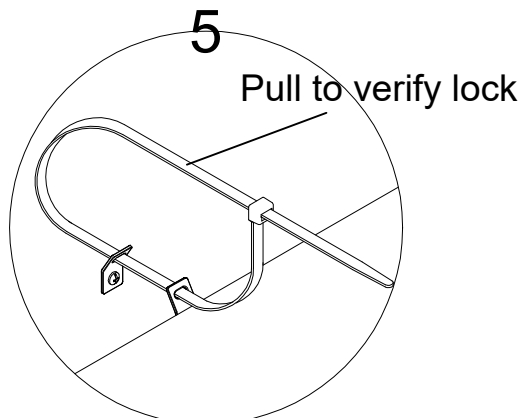
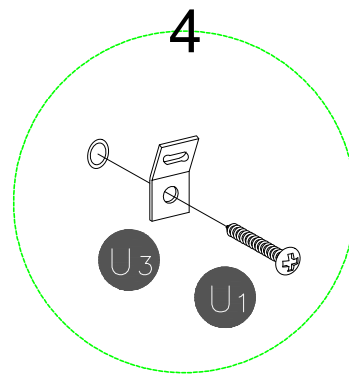
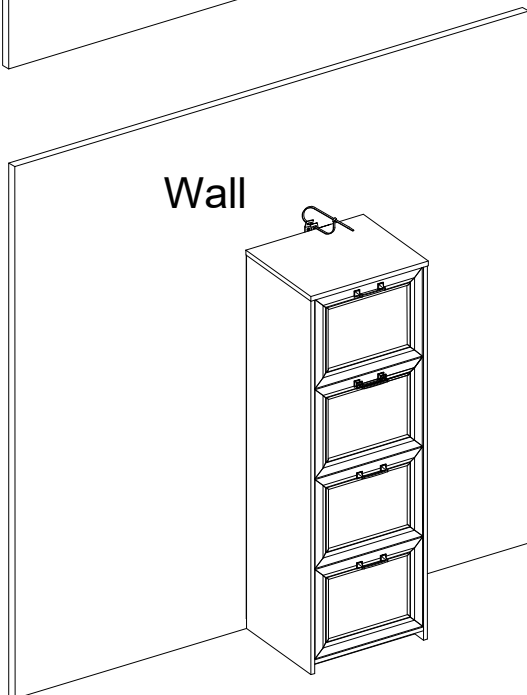
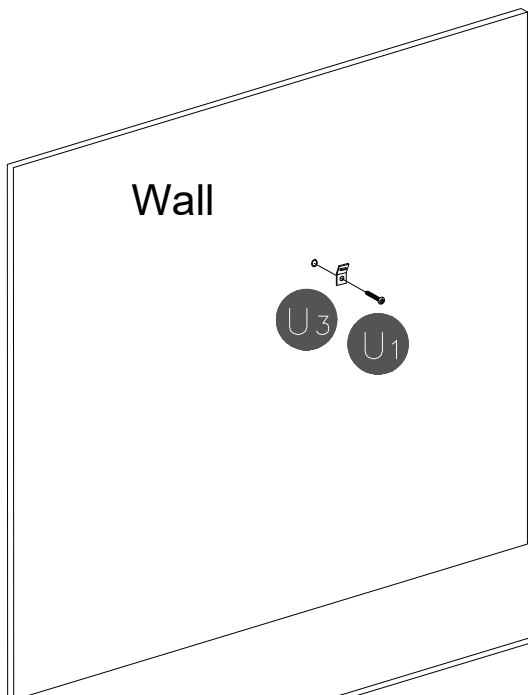
U₃ x1pcs



U₅ x1pcs



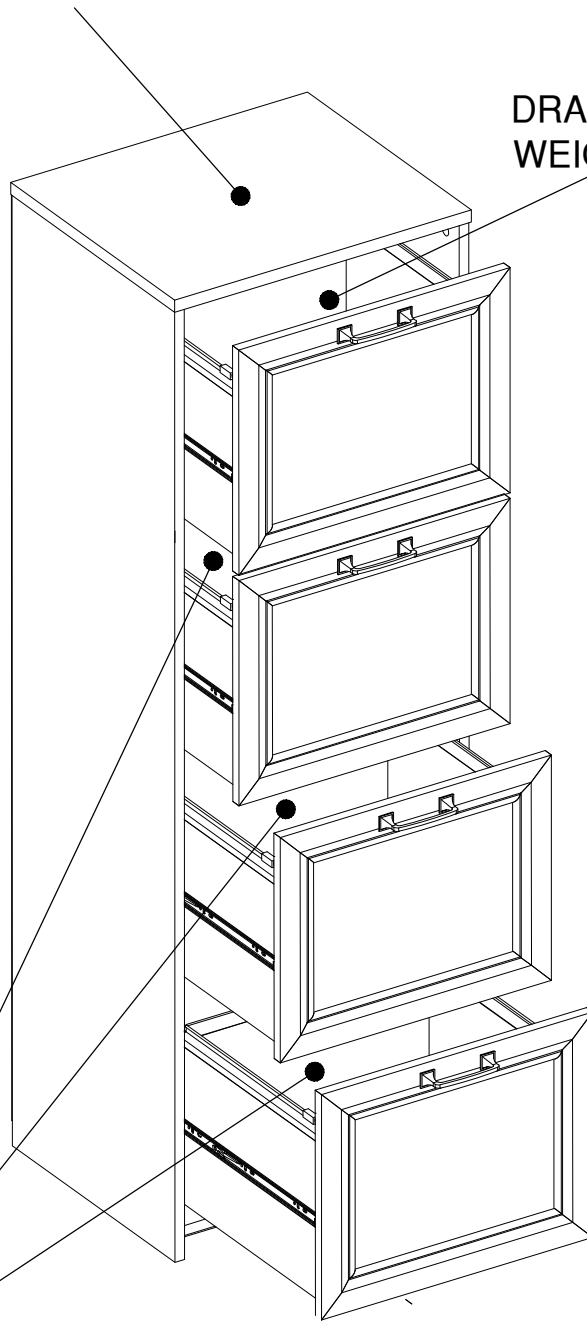
Mount the wall plug onto desire wall location, use screw to secure the desire spot to prevent the cabinet from falling apart



Maximum weight capacities

MAXIMUM WEIGHT: 50 LBS (22 KG)

DRAWER MAXIMUM
WEIGHT CAPACITY: 11 LBS (5 KG)



MAXIMUM WEIGHT: 22 LBS (10 KG)

THIS PAGE INTENTIONALLY LEFT BLANK



Bestsign International Inc.

421 N. Baldwin Park Blvd,
City of Industry, CA 91746
Tel:1-909-274-7615

E-mail:
service@bestsignintl.com

Furniture Care & Cleaning Instruction

- Do not expose the furniture to strong sunlight, which causes discoloration and shortens the product lifetime.
- Do not expose the furniture to extreme heat, cold, or humidity, which may cause wood to swell or warp.
- Do not leave the furniture wet with beads of water standing on the furniture.
- Wipe-spills with a clean dry cloth. Do not use chemicals or abrasives for cleaning!
- TAKE NOTE: THE BOLTS MAY SLIGHTLY LOOSEN OVER TIME. IF YOUR FURNITURE FEELS "WOBBLY" OR LOOSE, PLEASE RE-TIGHTEN BOLTS.

Wood Furniture Care & Cleaning Instruction

- To maintain the quality of your wood furniture, do not expose it to direct sunlight or excessive temperatures, extreme changes in humidity can cause warping.
- Better use coasters, pads, cloth or felt to protect the furniture surface. Use protective mats under hot dishes. Use a protective pad when writing with a pen.
- Lift objects rather than dragging them over the furniture surface.
- Blot spills immediately with a clean cloth. Dust often using a soft, clean, lint-free cloth. Avoid harsh fabrics, paper towels or disposable dusting towels as they may scratch the surface.
- Use a non-silicone and non-wax polish, do not use soap, water or wax.

Furniture Warranty

- 90 days warranty on all of our Indoor furniture from date of delivery against manufacturer defects and structural failure under normal use and conditions.
- 90 days warranty from date of delivery against damage of parts. Replacement Parts will be replaced, repaired or refinished in the original color and style if available; A similar color Parts will be offered if the original version has been discontinued.

Important Limitations

- Please note that our warranties do not cover failure due to:
 1. Any modifications to the original structure of the product/Accidental damage/Abuse/Misuse/Commercial Use.
 2. The wear and tear caused by daily use, including: fading, scratching or chipping.
- Any defects Parts or missing parts must be reported within the 30 days of receipt of the item otherwise it would be out of our 90 days warranty term.

What is Proposition 65?

Proposition 65 is a California law that requires warning labels on products that may contain one of more than 800-plus chemicals or ingredients that the California Office of Environmental Health Hazard Assessment(OEHHA) has deemed to cause cancer or other reproductive toxicity. chemicals and elements on this list include wood dust , brass , and other everyday substances, which can be found in very common household items, such as : lamps , tableware , jewelry , crystal glasses , electric cords , beauty products , automobiles , and furniture.

Why Did I Find a Proposition 65 Warning on My Home Goods Product?

We include Proposition 65 warnings on all of our products because there is always a chance that one of the 800-plus common chemicals and ingredients listed under this law could potentially be on our furniture or packing materials. We risk large fines under this law , if we don't include this warning.

Should I worry?

We realize you may be worried finding this warning on our products , but we want to reassure you that the hazardous exposure limits for any of these chemicals have never been found on furniture products that we've shipped to our customers. Additionally, this warning label is very common and can be found on almost every piece of furniture sold in the state of California.

Just How Common Are Proposition 65 Warnings?

Proposition 65 warnings have become so common in California that it is hard to take a trip to local bank, grocery store , or restaurant without finding at least one warning. In fact, even the Disney Land Resort has a Proposition 65 warning:

