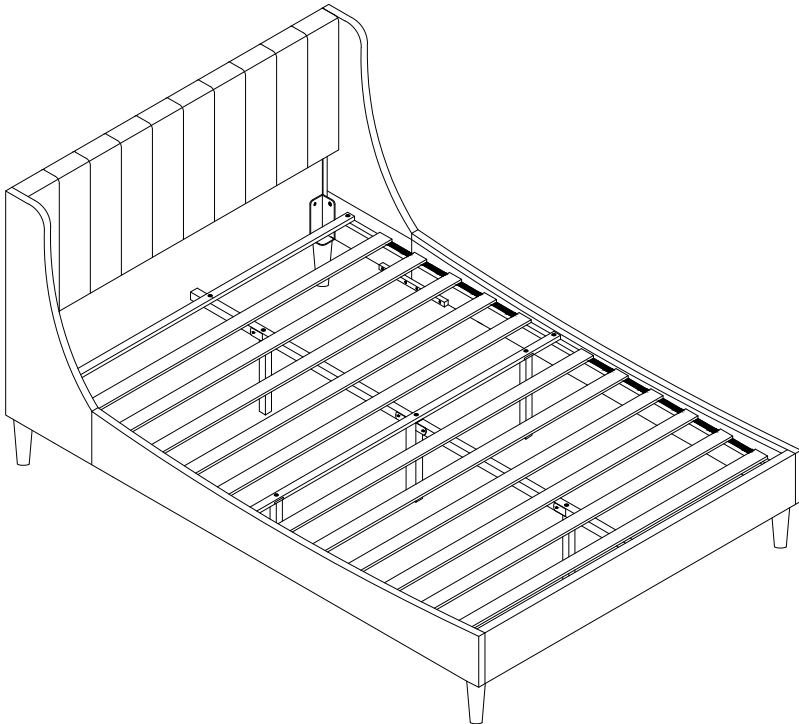


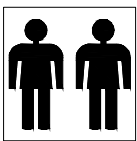
ASSEMBLY INSTRUCTION



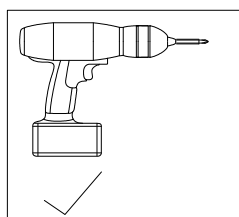
Please **TEAR OFF** this shrink film from side!
DO NOT USE CUTTER!

IMPORTANT NOTE

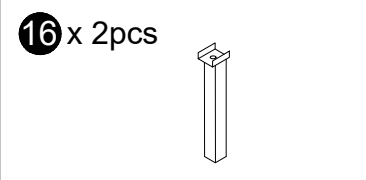
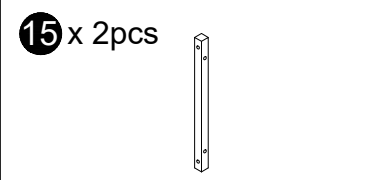
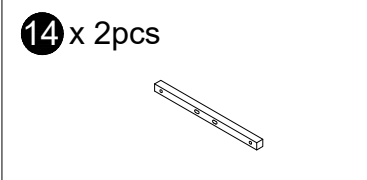
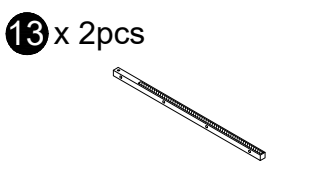
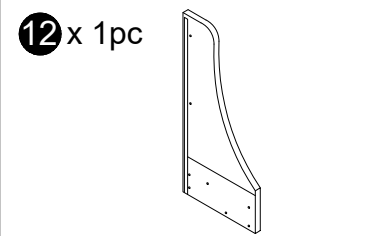
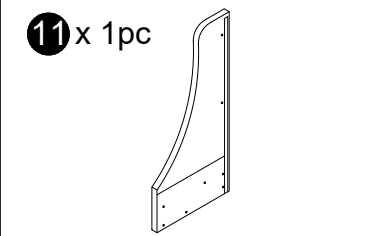
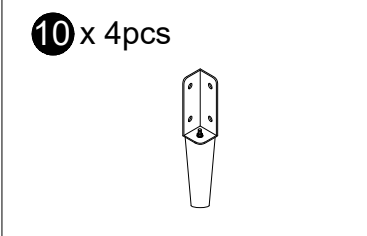
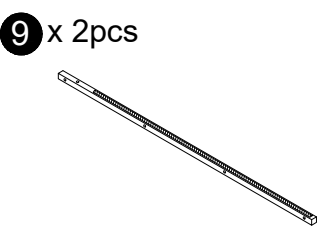
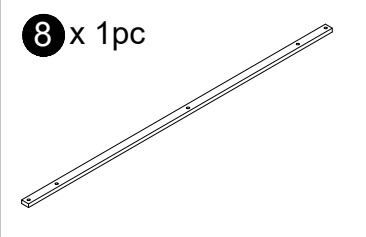
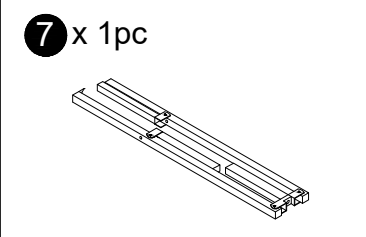
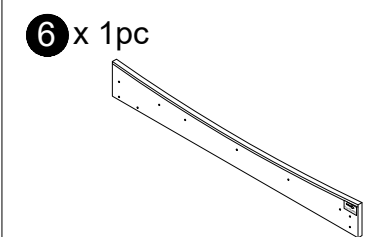
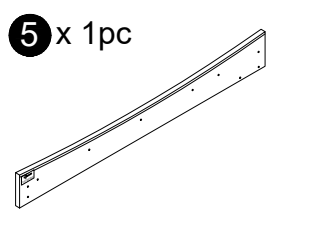
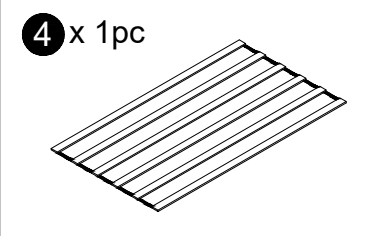
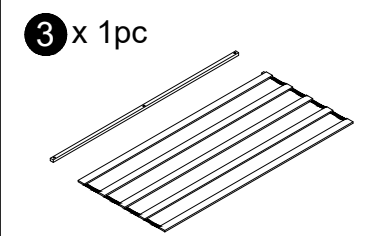
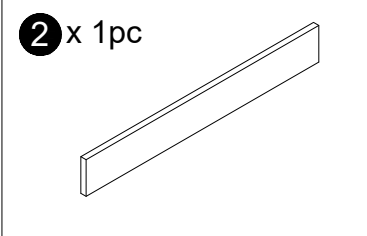
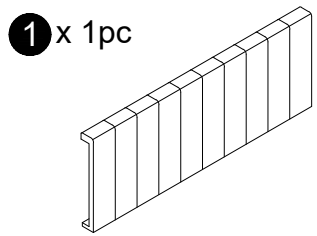
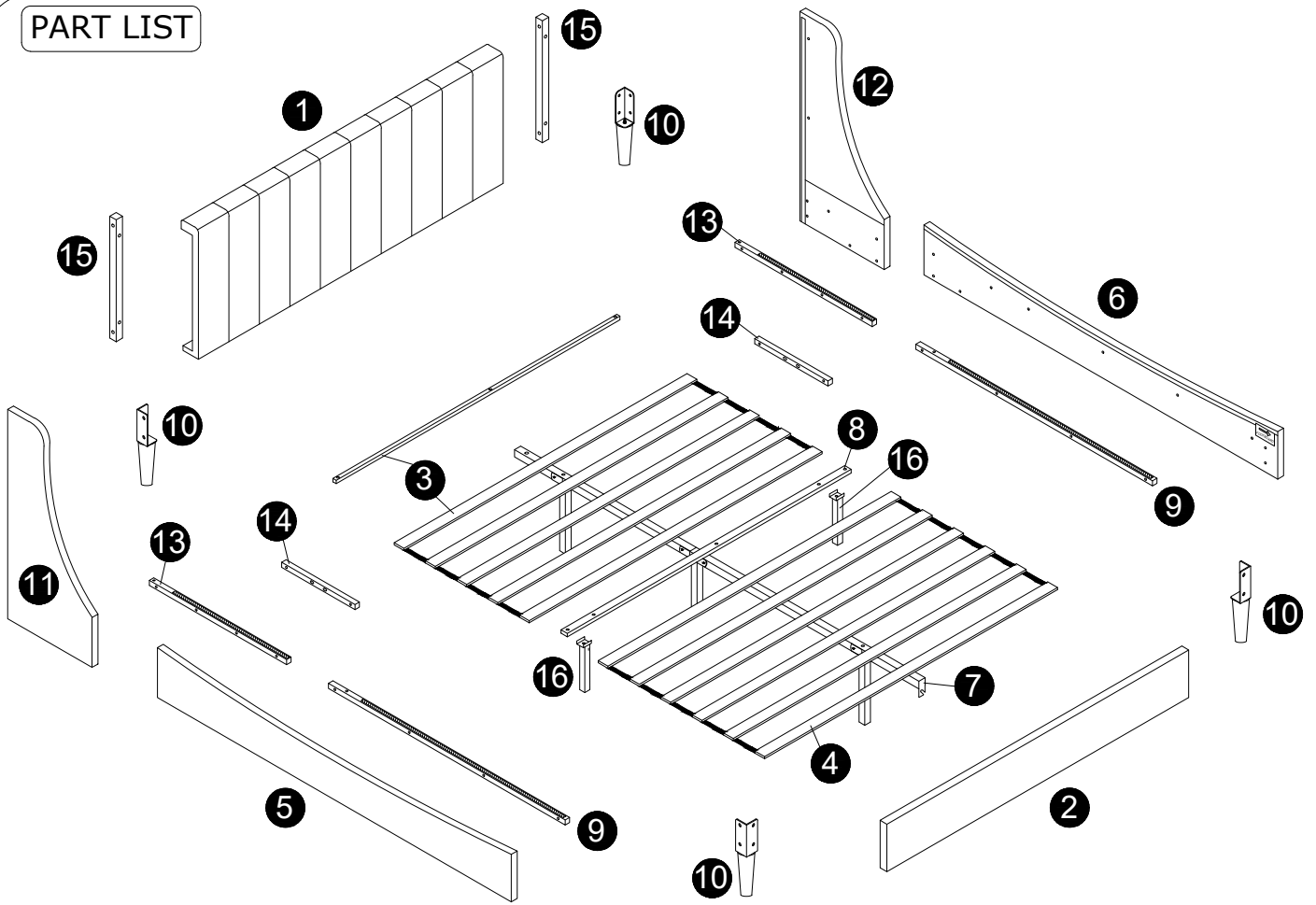
1. FOR THE PROTECTION OF YOUR FURNITURE, PLACE ALL PARTS ON A CLEAN AND SMOOTH SURFACE TO PREVENT ANY DAMAGE.
2. DO NOT USE POWER TOOLS TO ASSEMBLE THE BED.
3. PLEASE PERIODICALLY CHECK ALL FITTINGS AND RE-TIGHTEN AS NECESSARY.
4. DO NOT USE THE BED UNLESS ALL BOLTS AND SCREWS ARE FIRMLY SECURED.
5. NEED PARTS OR ASSISTANCE?
6. YOU CAN ASSEMBLE IT WITH OUR PACKAGING TOOLS OR WITH A.



Minimum two
person assembly



PART LIST



HARDWARE LIST



H1 M5 x 1pc



H2 M8x25mm x 13pcs



H3 M8x35mm x 8pcs



H4 M8x45mm x 33pcs



H5 M8 x 55pcs

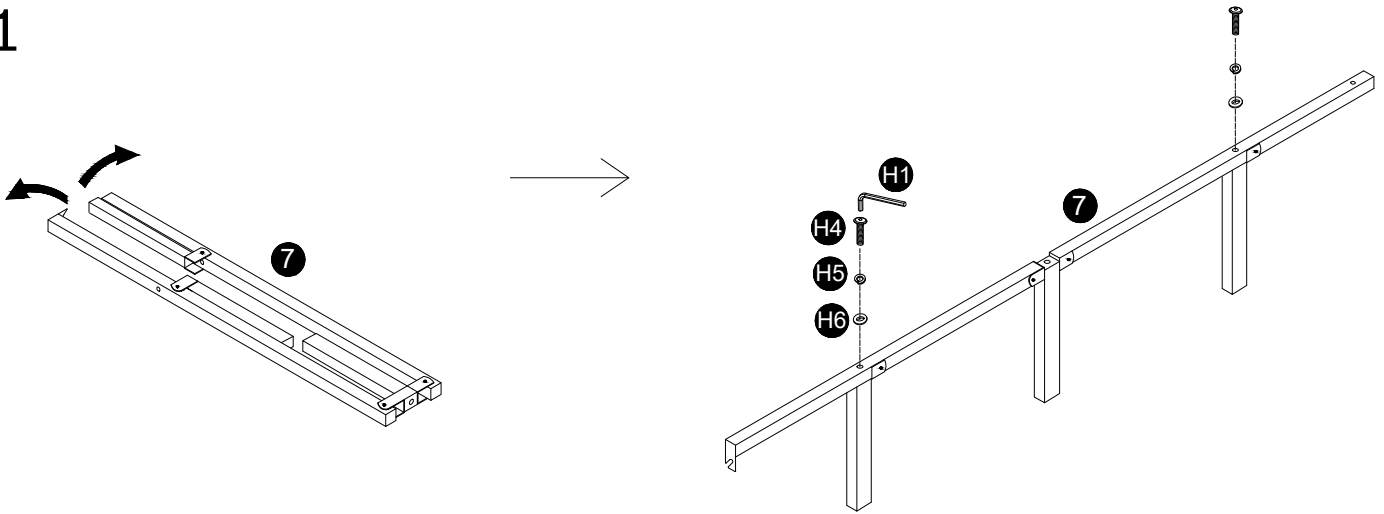


H6 M8x17mm x 55pcs

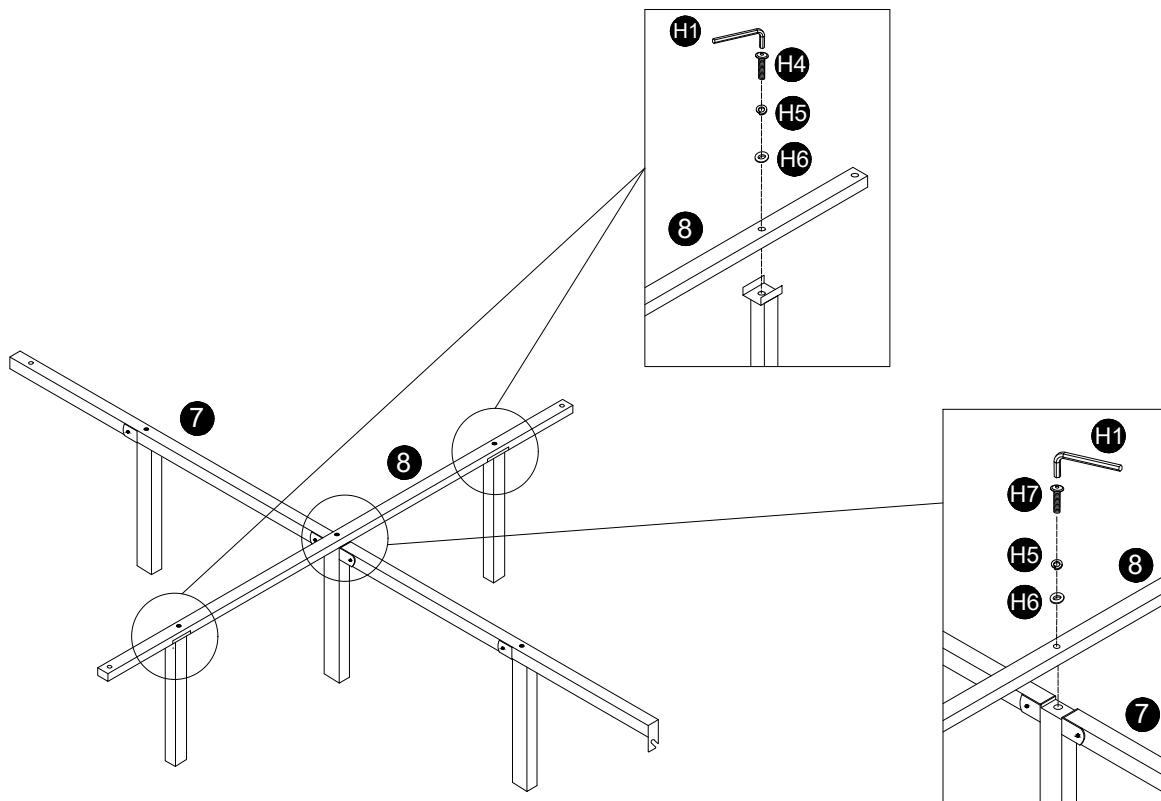


H7 M8x60mm x 1pc

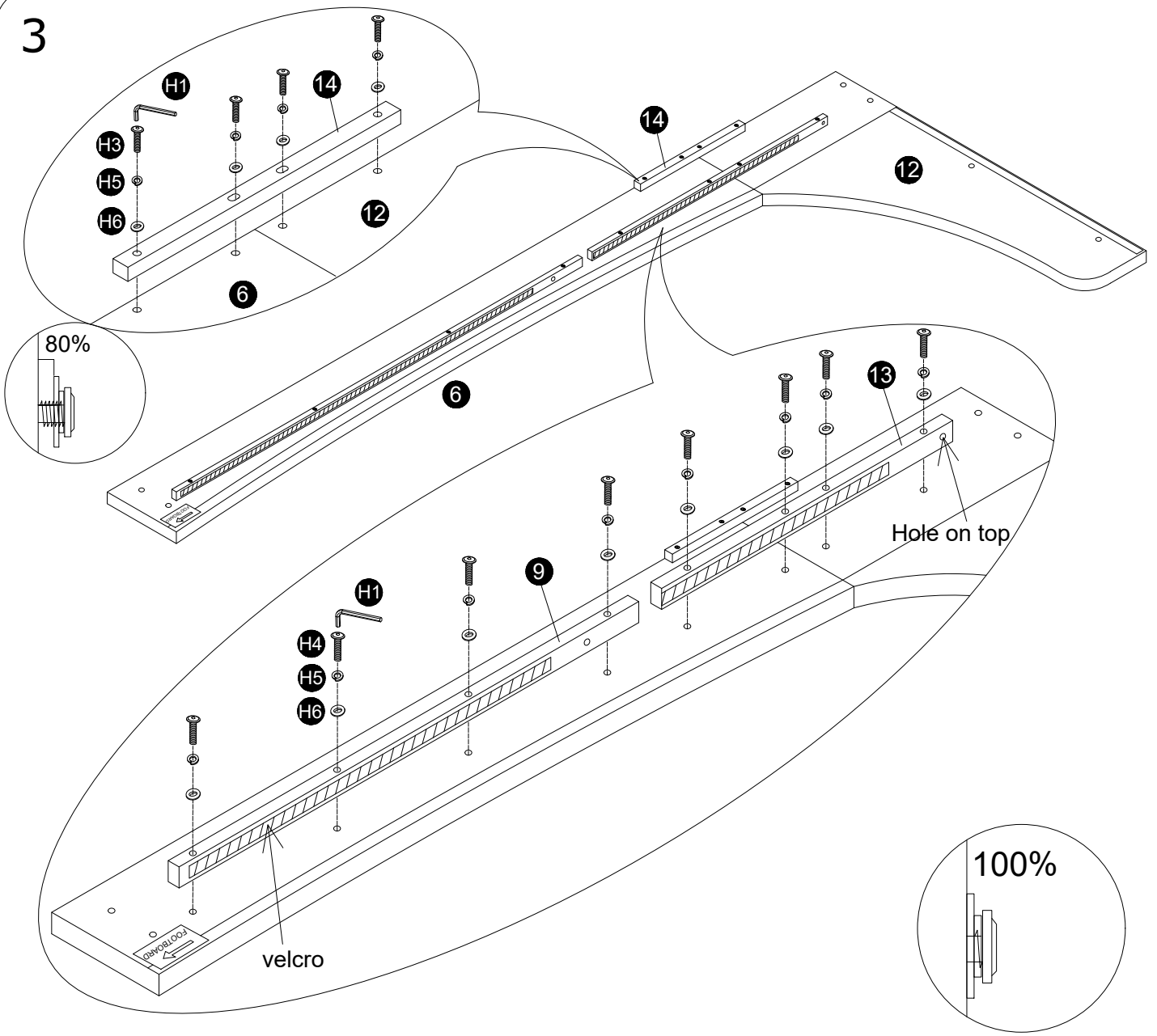
1



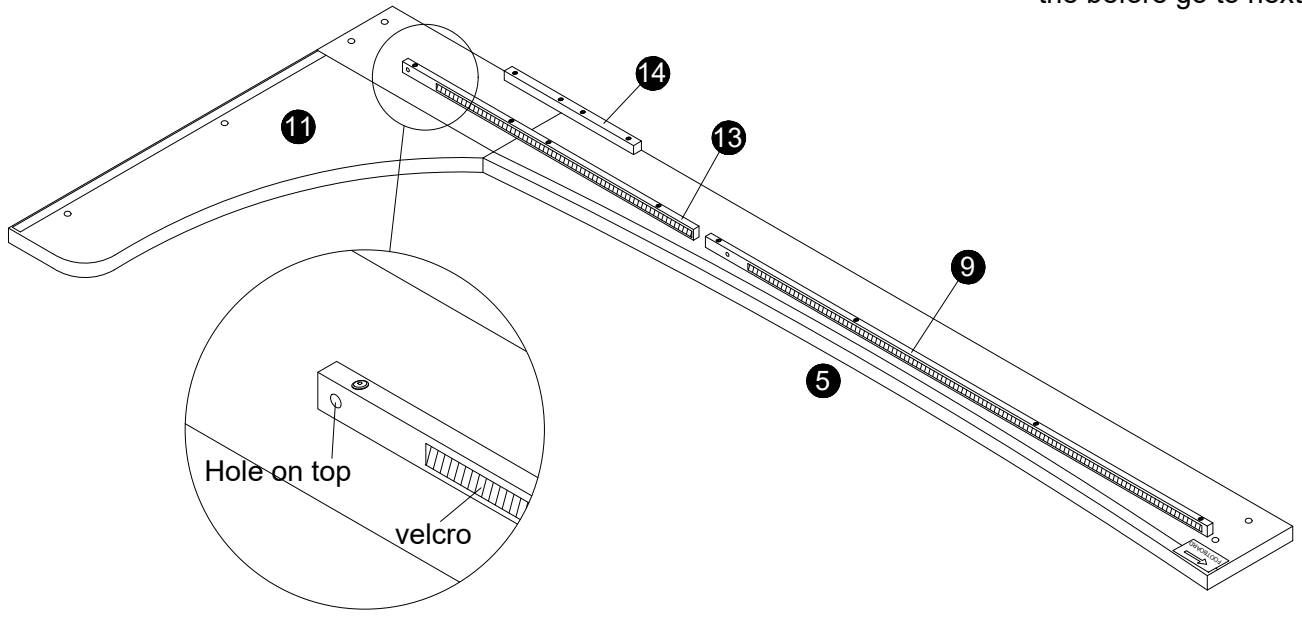
2



3

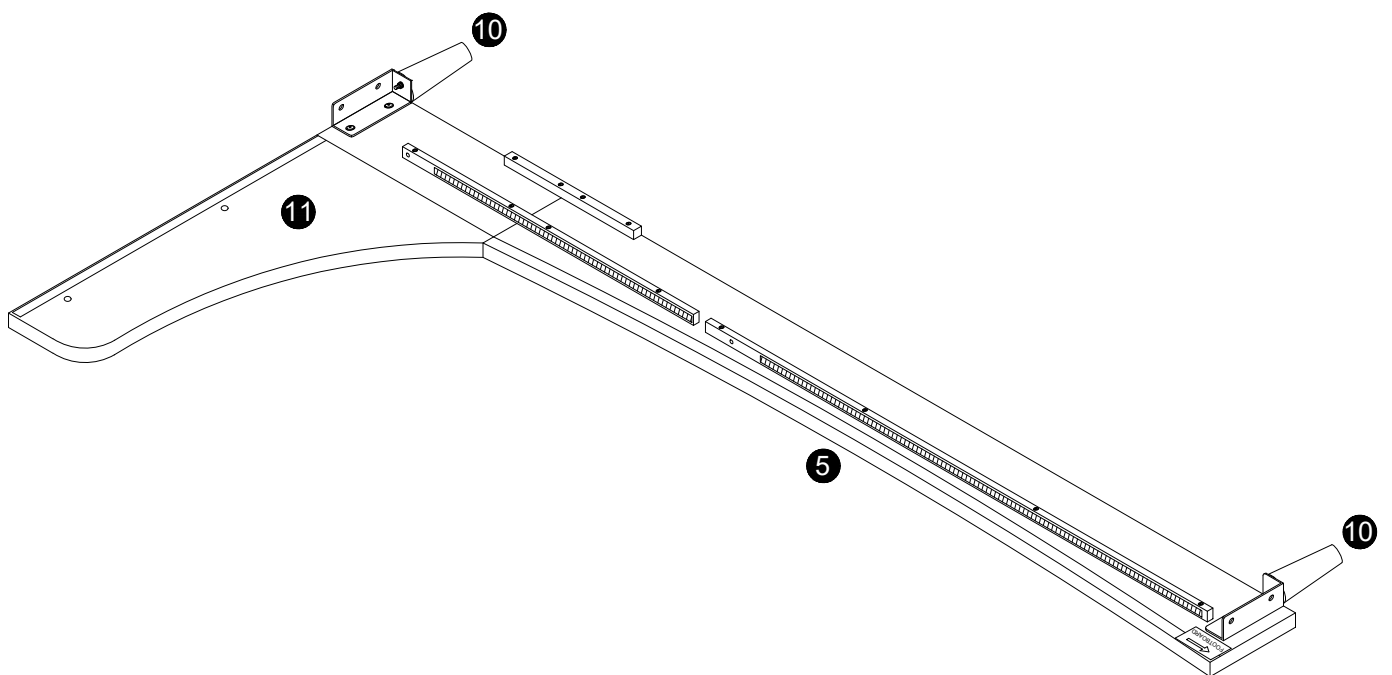
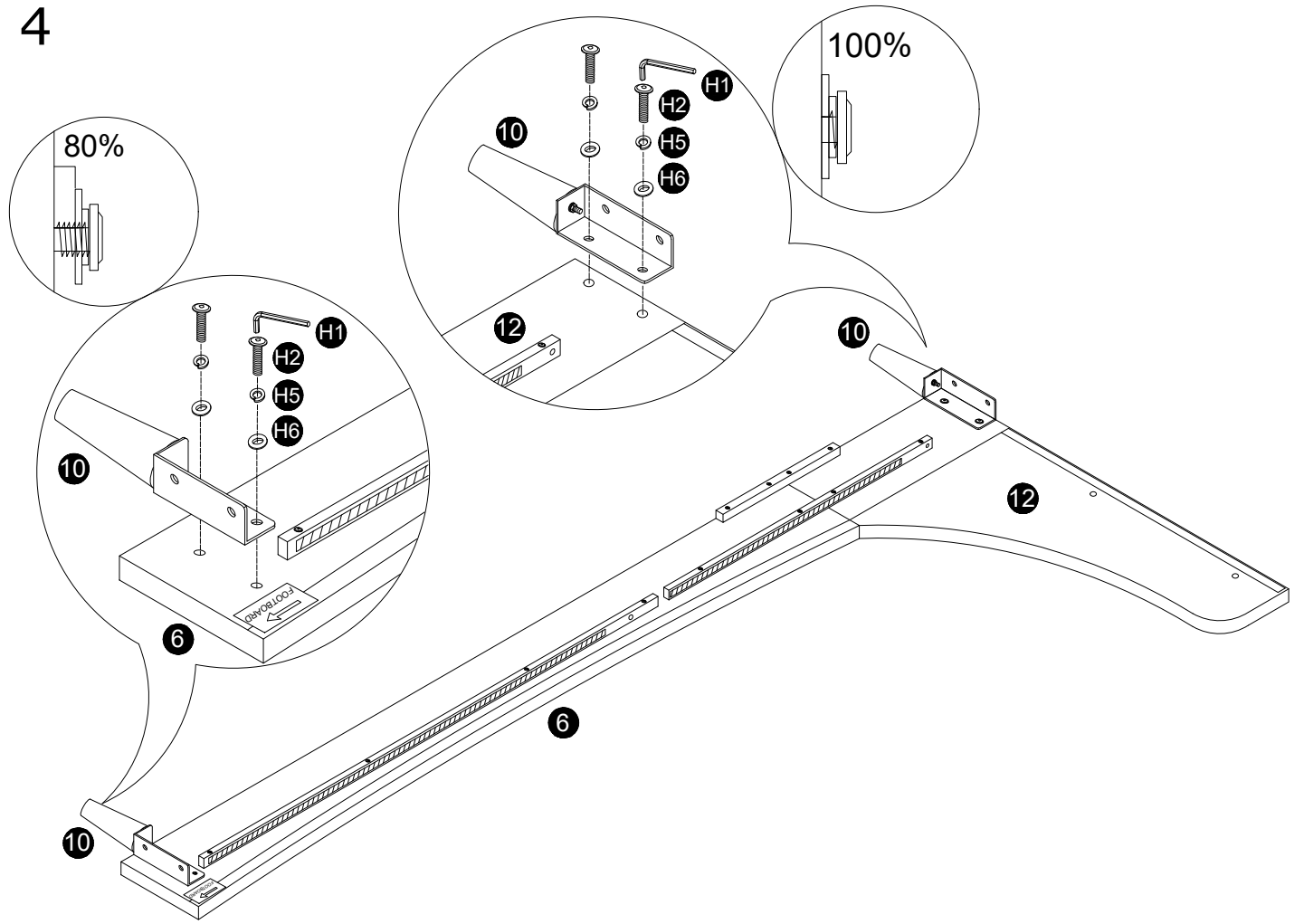


Please fully tighten all fixings the before go to next step.

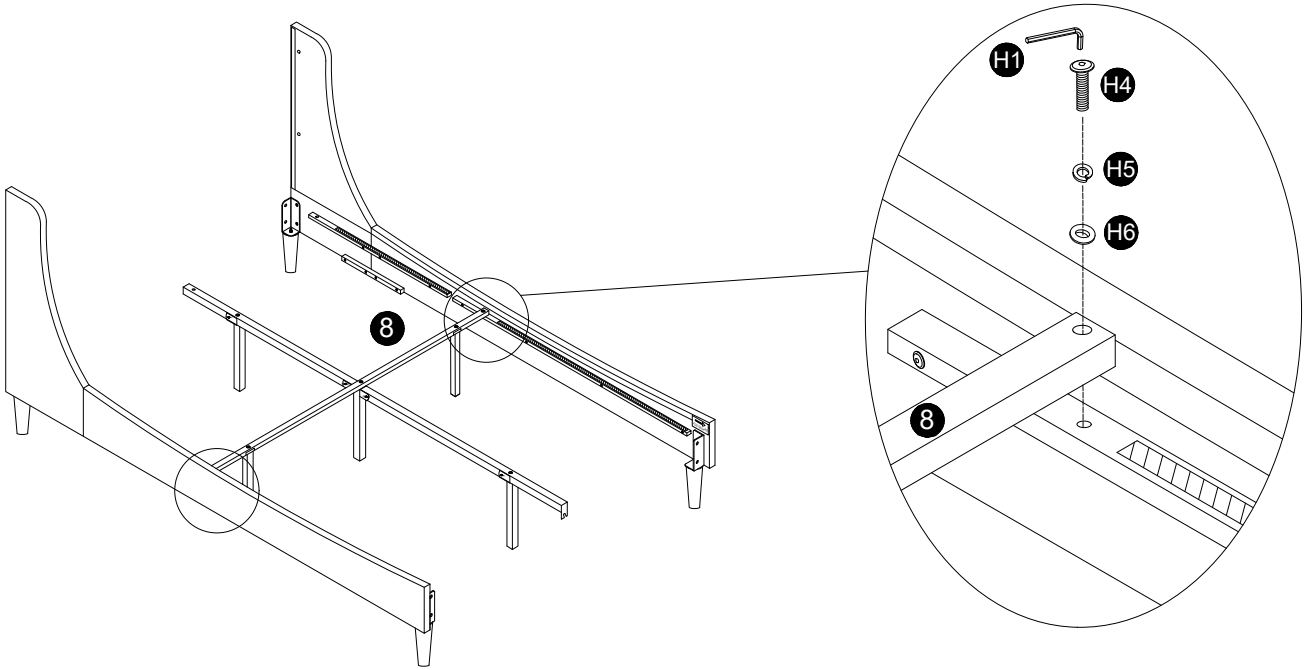


4

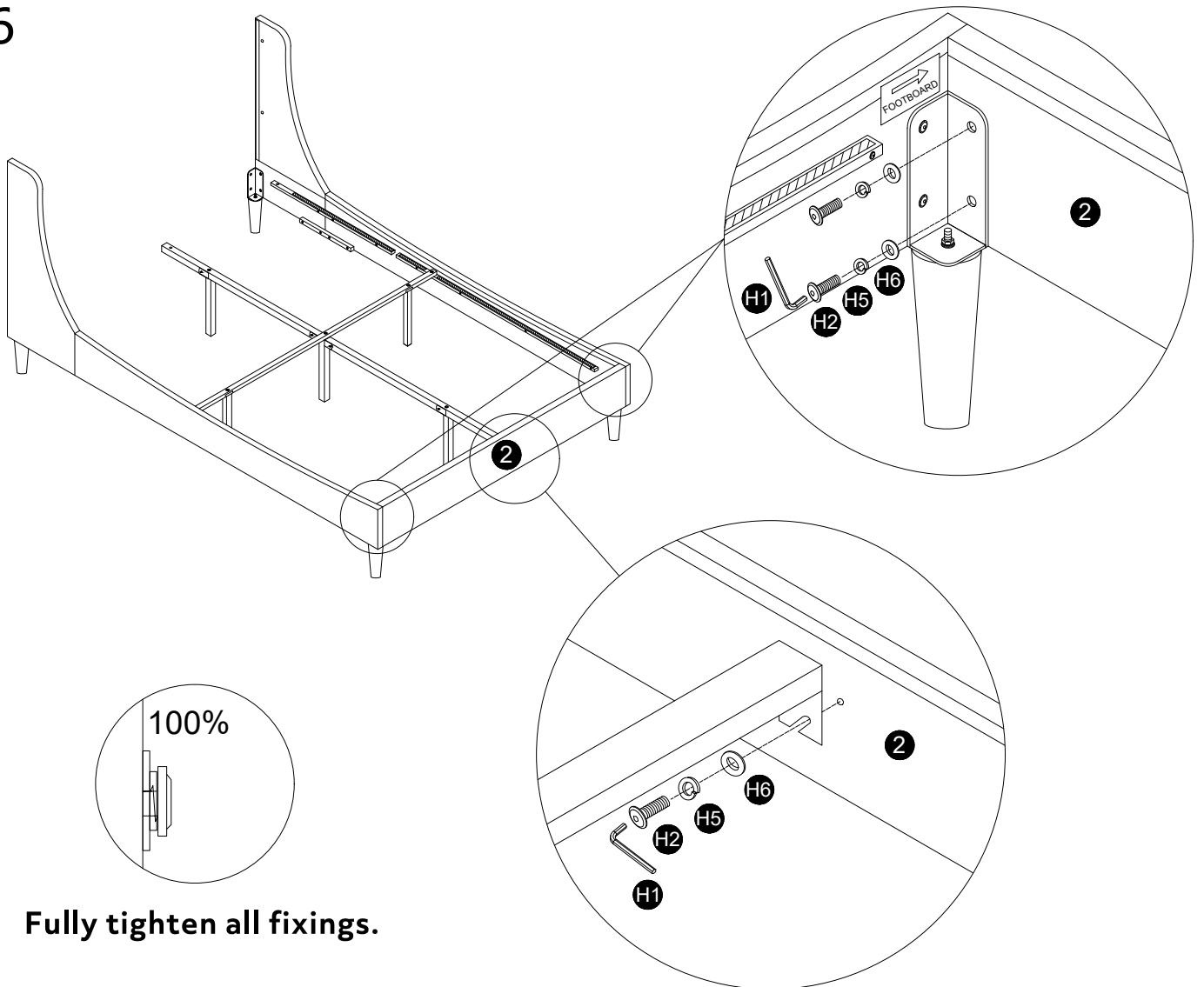
4



5

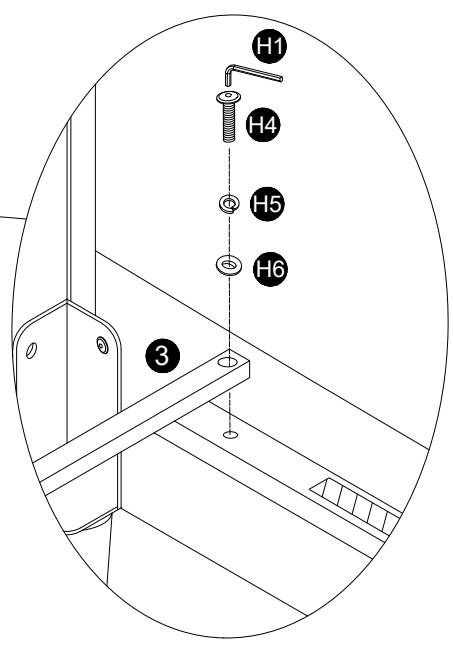
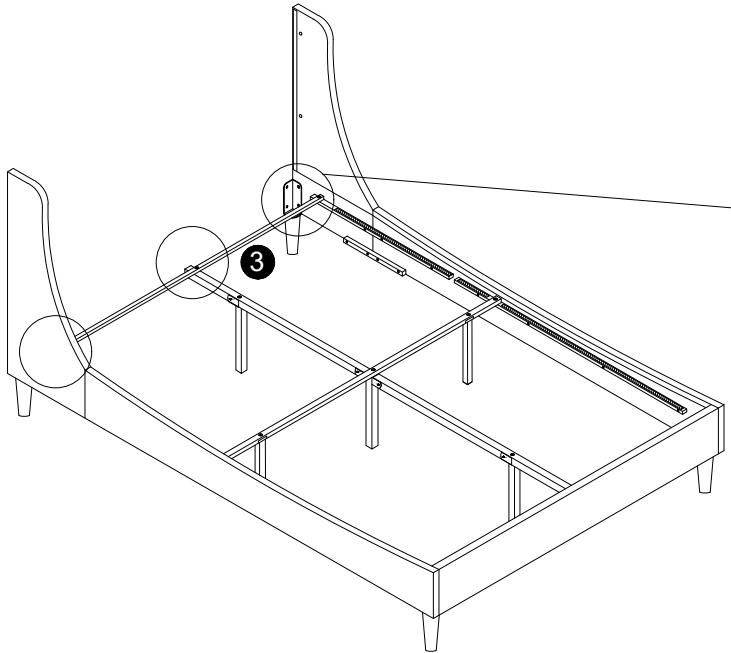


6

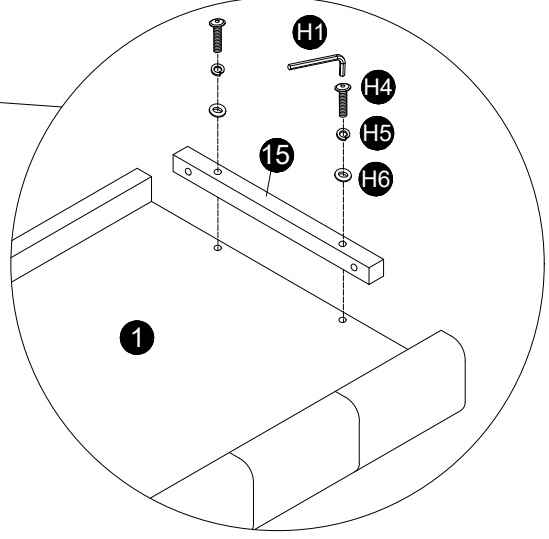
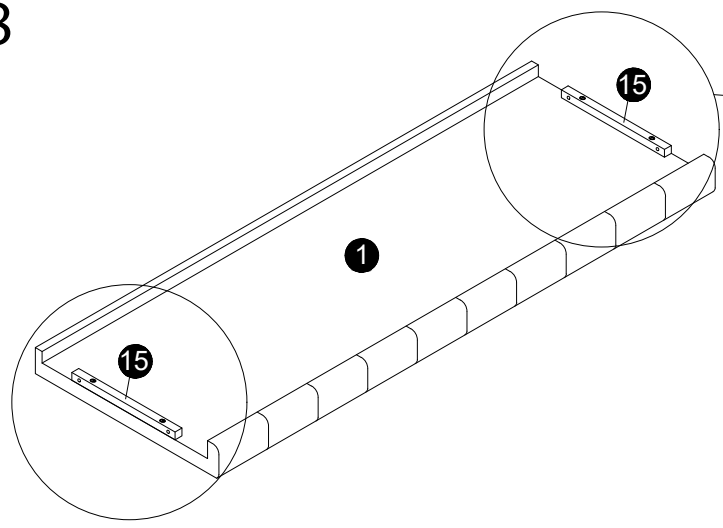


Fully tighten all fixings.

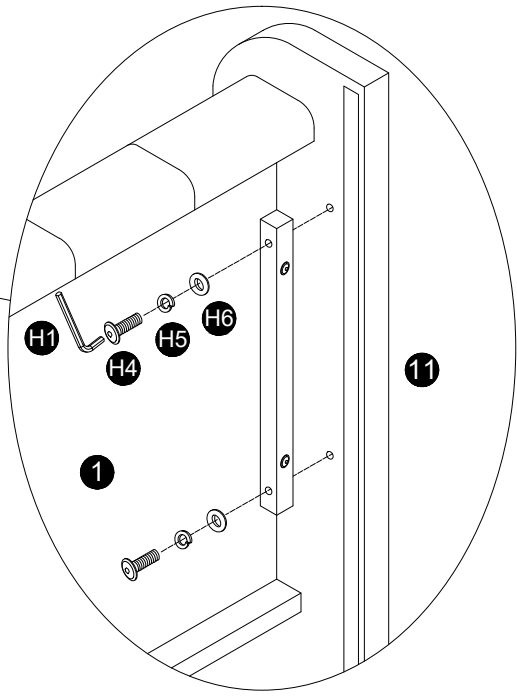
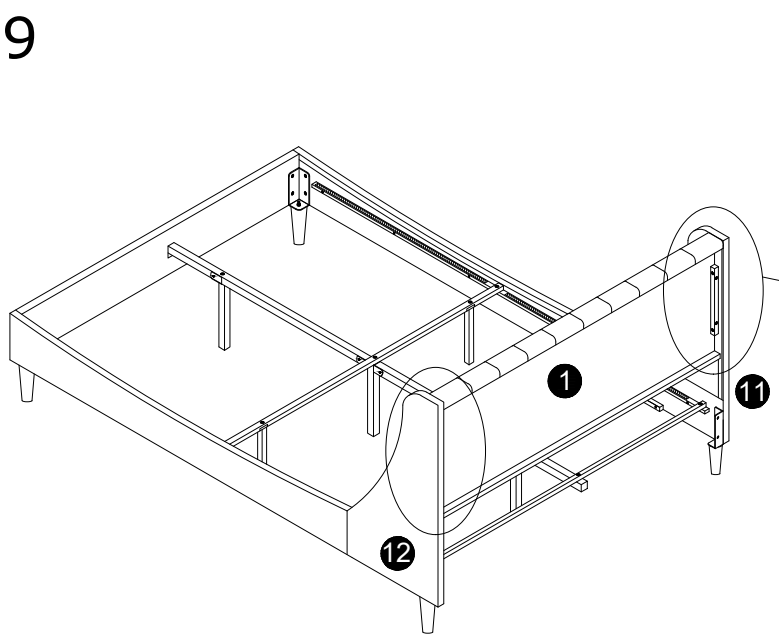
7



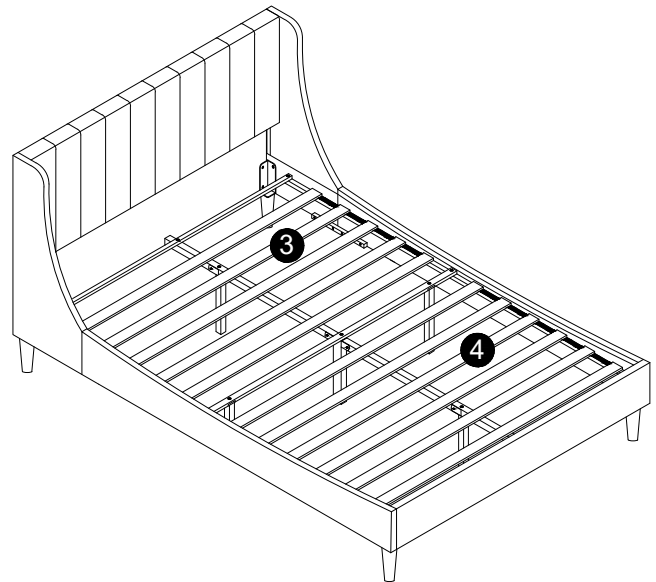
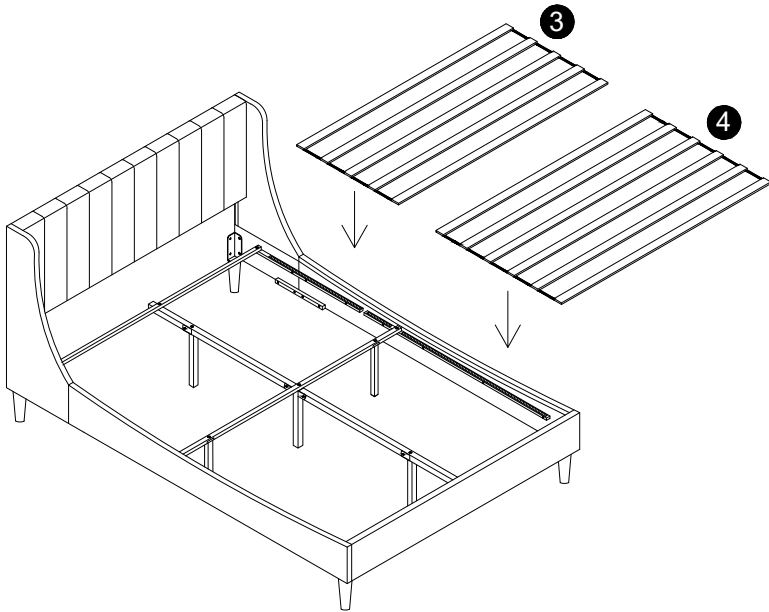
8



9



10



Job Complete !

In the interest of our environment please dispose of all packaging thoughtfully.