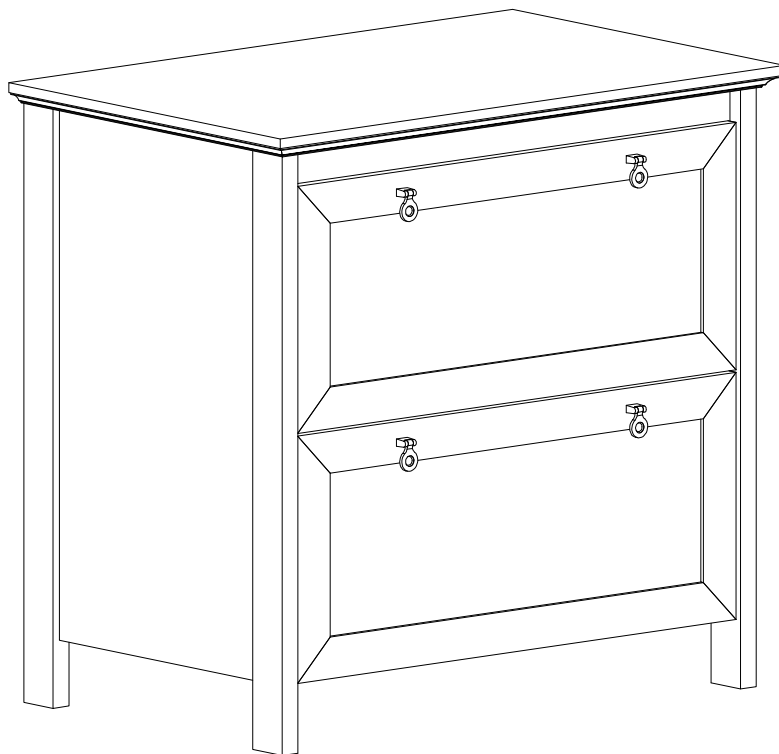


ASSEMBLY INSTRUCTIONS

Important Safety Instructions:

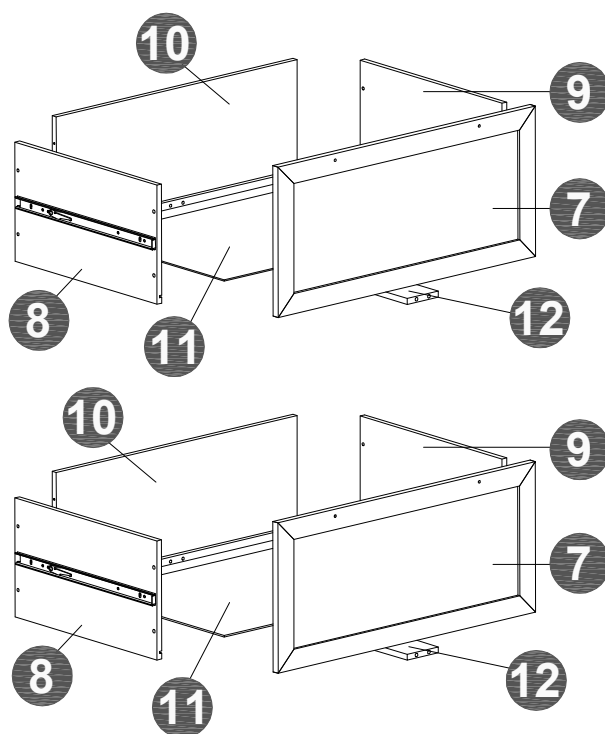
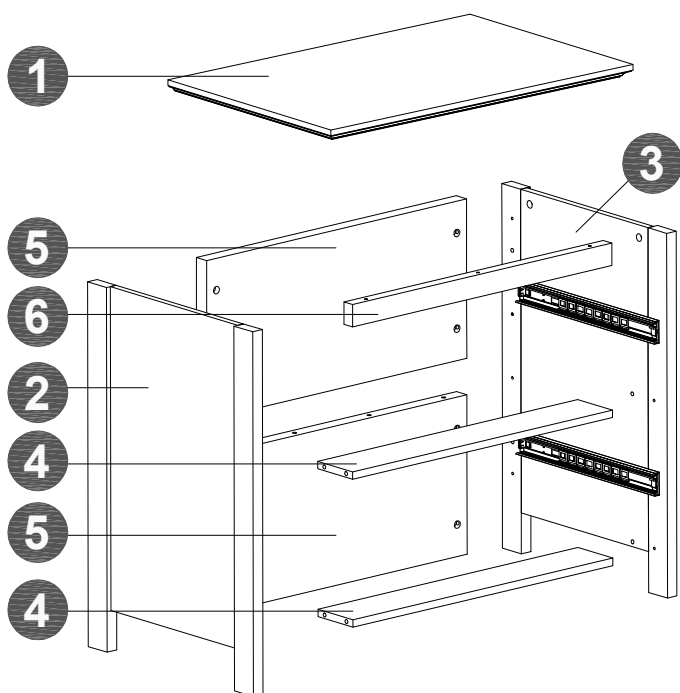
- Please read all instructions before beginning assembly
- Please make sure receive all the parcels to start the assembly
- For your safety and convenience, assembly by two people is recommended
- Use the parts and hardware lists to identify and separate each of the components included
- Save all packing materials until assembly is completed to avoid the accidental discarding of smaller parts or hardware



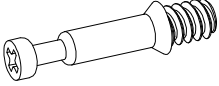

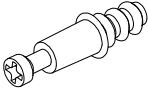



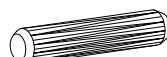
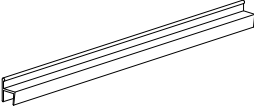
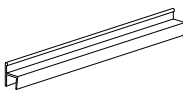


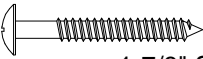

THANK YOU FOR PURCHASING

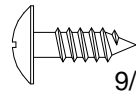
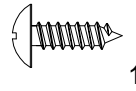
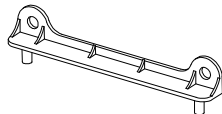
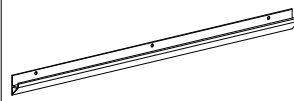
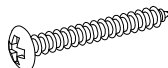
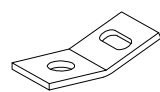
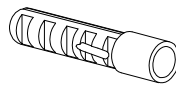

PARTS LIST

- | | | | | |
|------|------|------|------|------|
| ① X1 | ② X1 | ③ X1 | ④ X2 | ⑤ X2 |
| ⑥ X1 | ⑦ X2 | ⑧ X2 | ⑨ X2 | ⑩ X2 |
| ⑪ X2 | ⑫ X2 | | | |



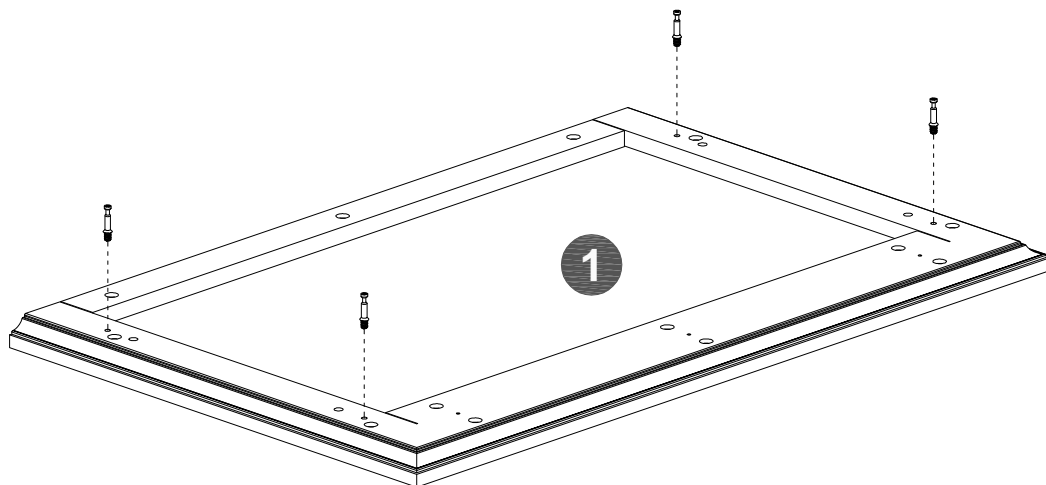
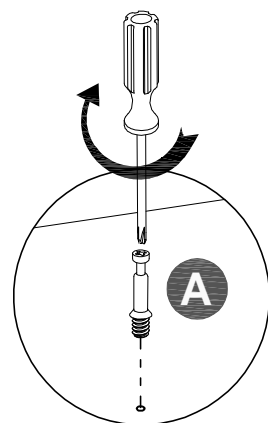
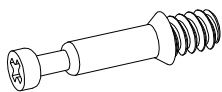
HARDWARE LIST

| Name | Part | Qty. | Spare |
|------|-----------------------------------------------------------------------------------------------------|------|-------|
| A |  | 16 | 1 |
| B |  | 16 | 1 |
| C |  | 4 | |
| D |  | 4 | |
| E |  | 12 | 1 |
| F |  | 4 | |
| G |  | 4 | |
| H |  | 2 | |
| I |  | 4 | |
| J |  | 4 | |
| K |  | 4 | 1 |
| L |  1-7/8" Screw | 3 | |
| M |  1-1/2" Screw | 12 | |

| Name | Part | Qty. | Spare |
|------|----------------------------------------------------------------------------------------------------|------|-------|
| N |  9/16" Screw | 8 | |
| O |  1/2" Screw | 14 | 1 |
| S |  | 4 | |
| Y |  | 2 | |
| U1 |  | 4 | |
| U3 |  | 4 | |
| U4 |  | 2 | |
| U5 |  | 2 | |

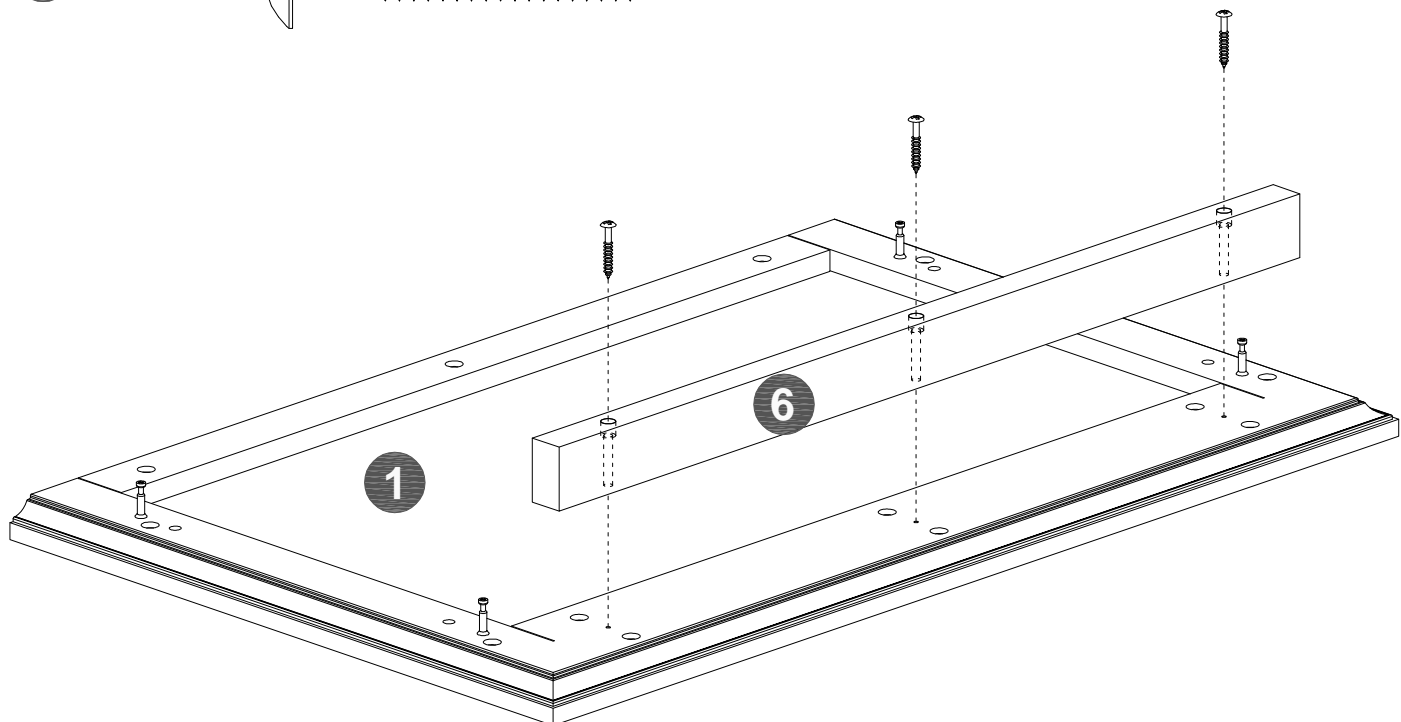
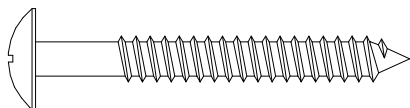
STEP 1

A x4pcs



STEP 2

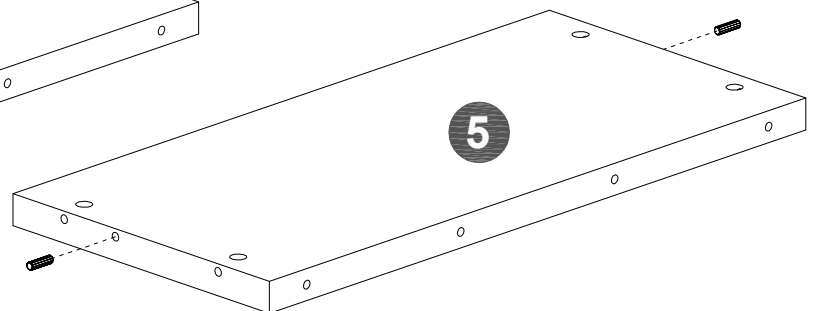
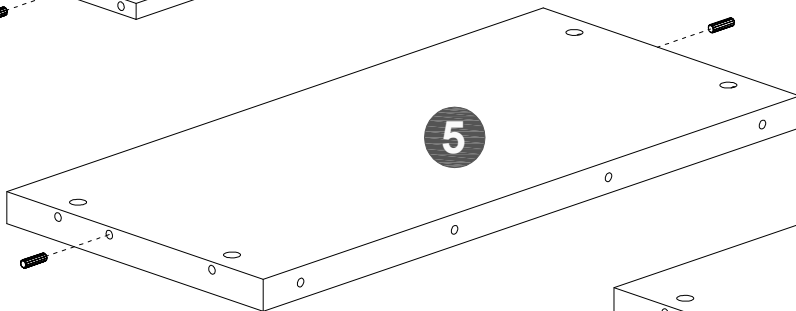
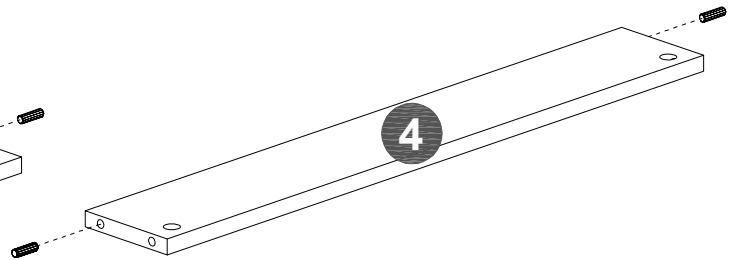
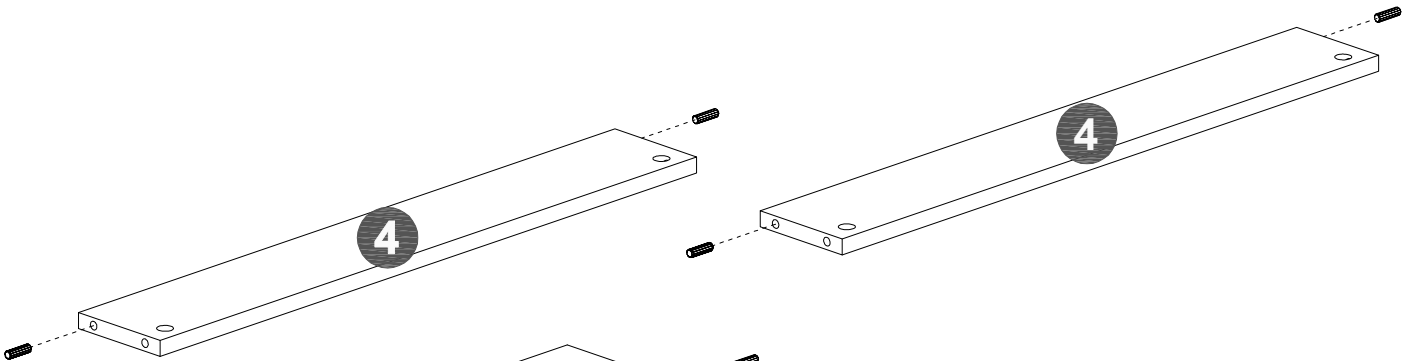
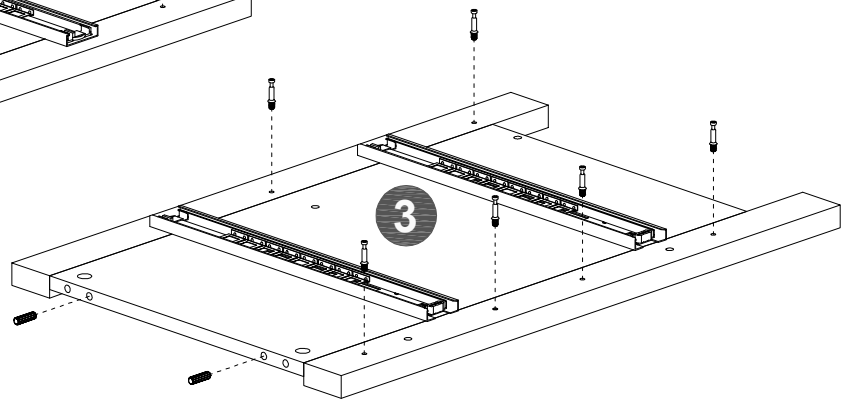
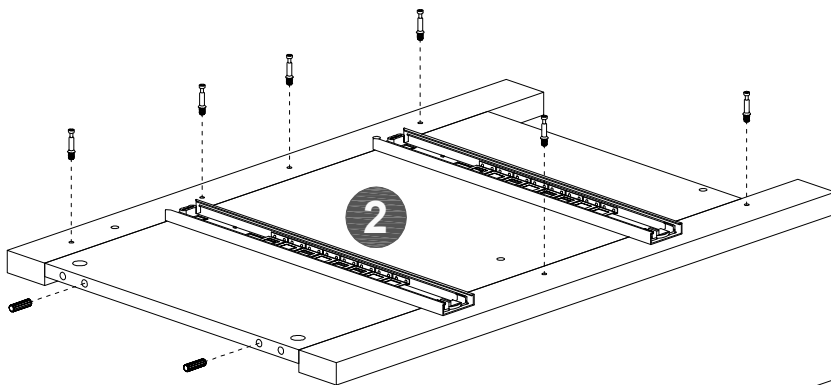
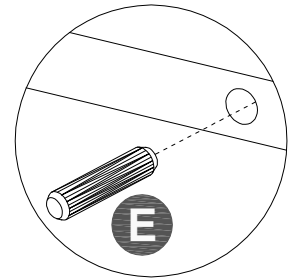
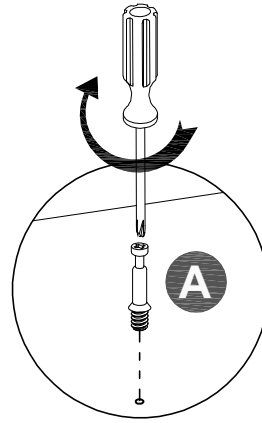
L x3pcs



STEP 3

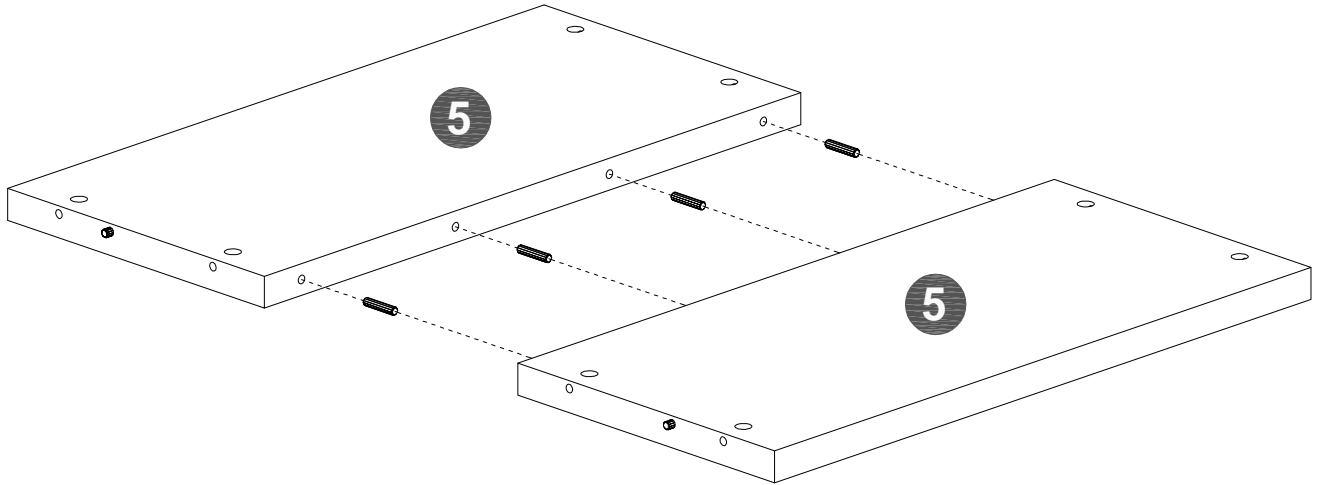
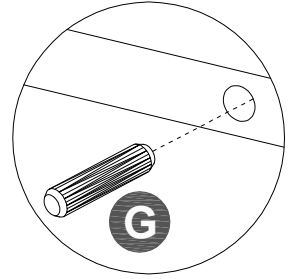
A x12pcs 

E x12pcs 



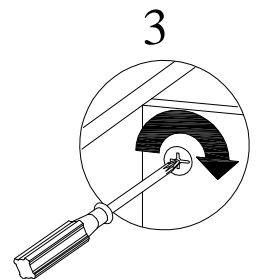
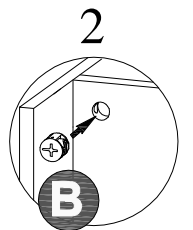
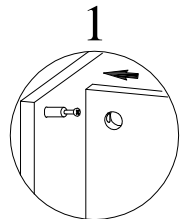
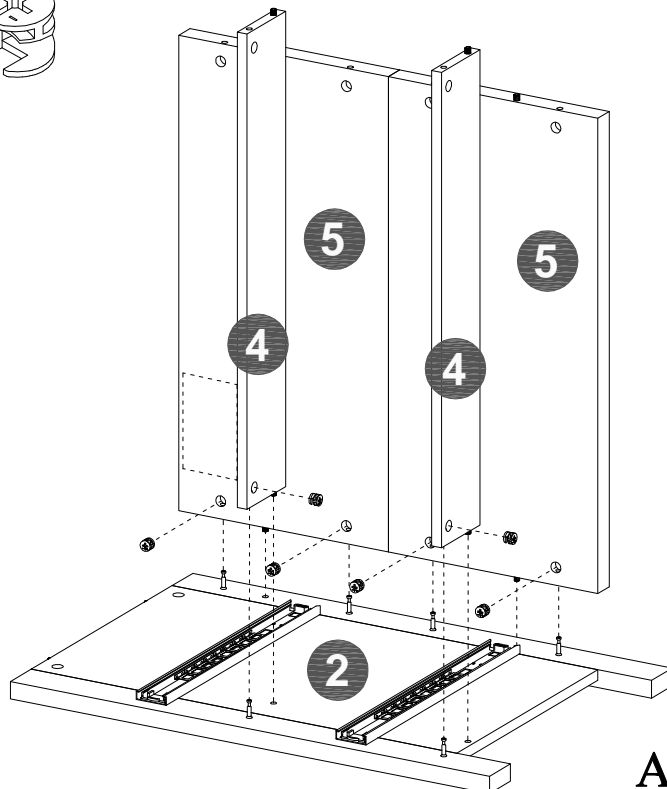
STEP 4

G x4pcs



STEP 5

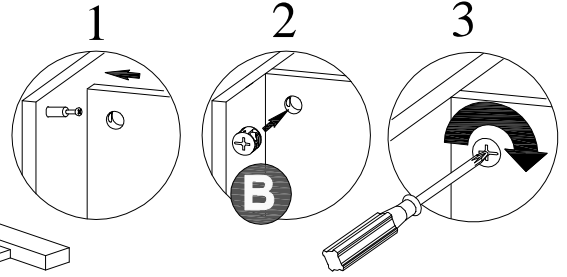
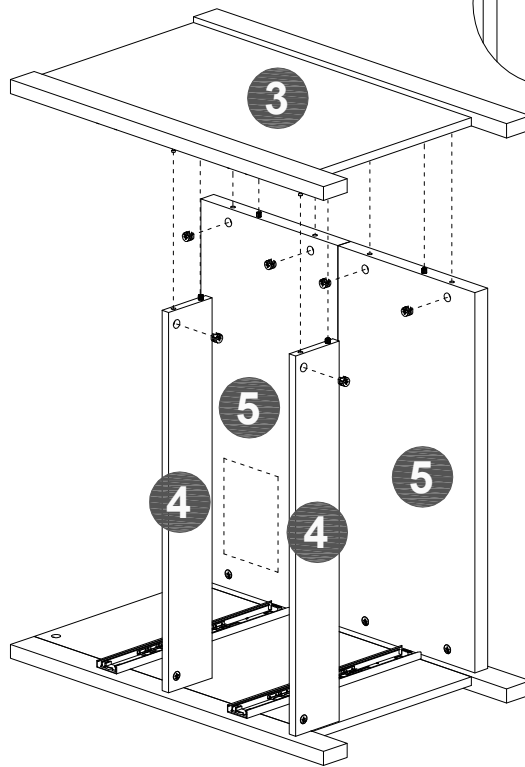
B x6pcs



An assistant is required.

STEP 6

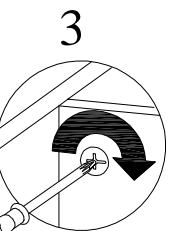
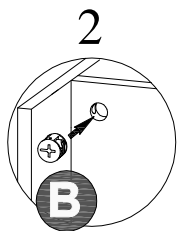
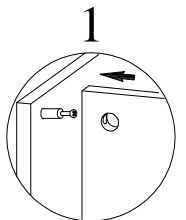
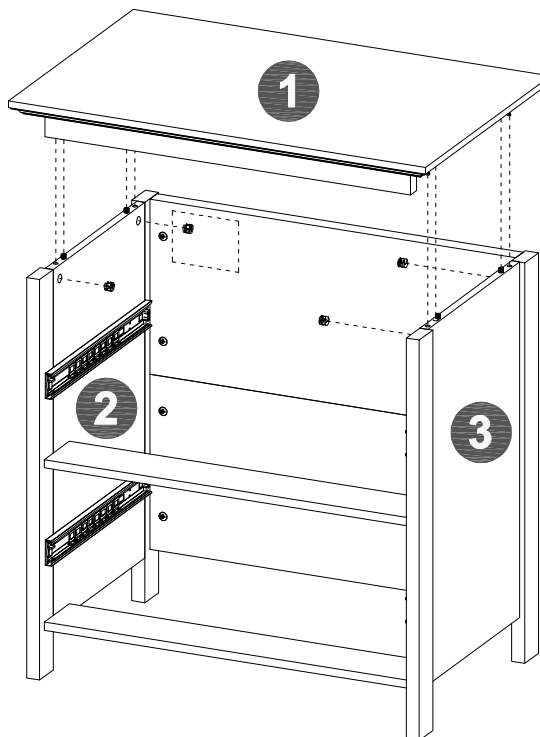
B x6pcs



An assistant is required.

STEP 7

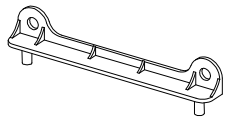
B x4pcs



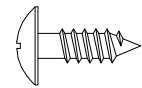
With assistant carefully stand unit up.

STEP 8

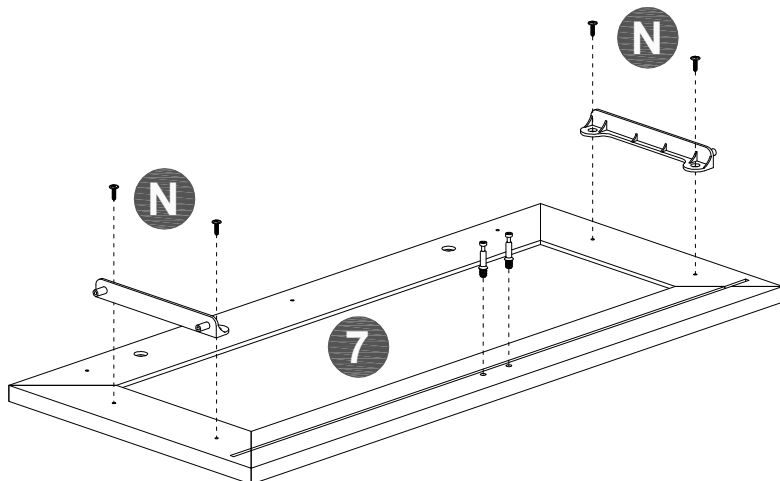
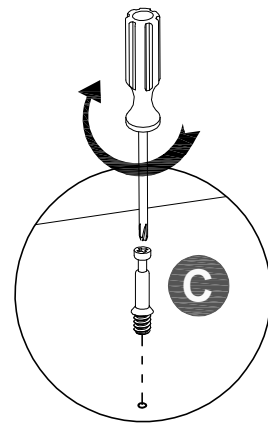
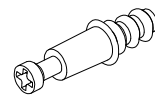
S x4pcs



N x8pcs



C x4pcs



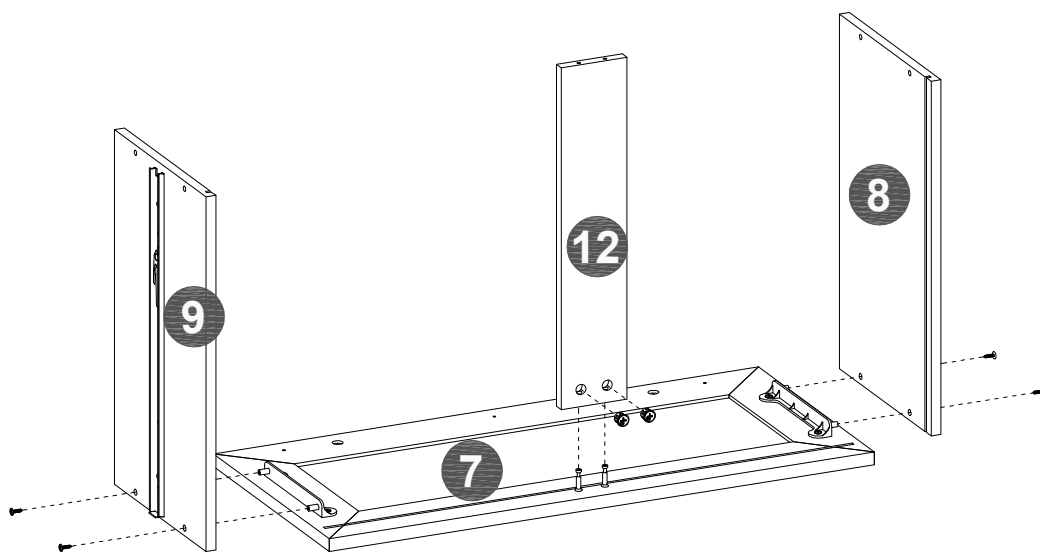
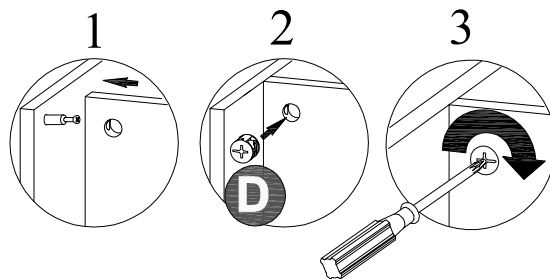
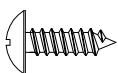
x 2

STEP 9

D x4pcs



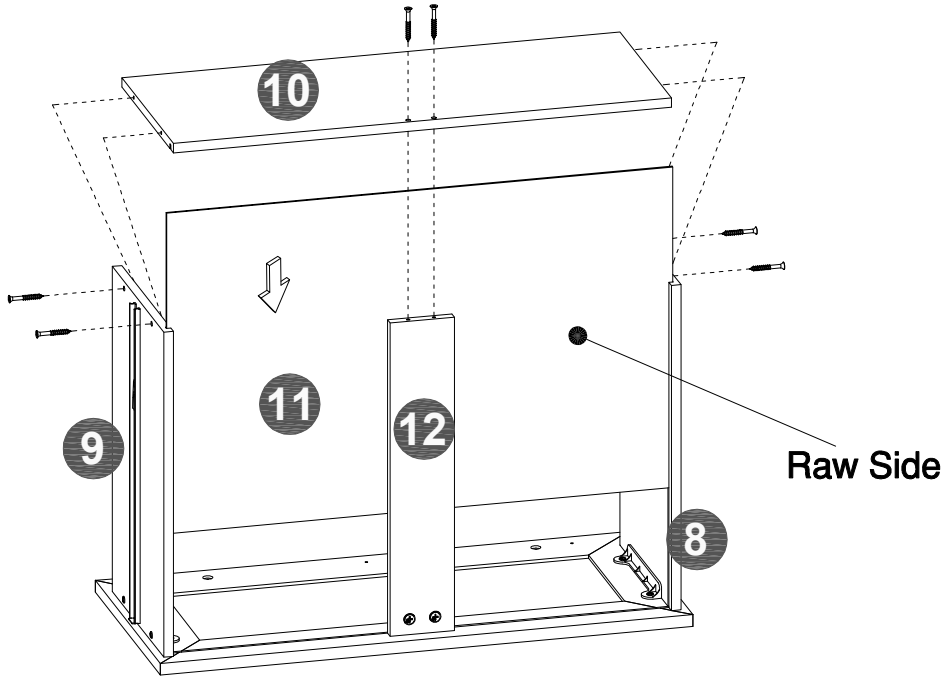
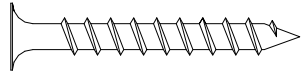
O x8pcs



x 2

STEP 10

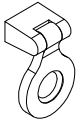
M x12pcs



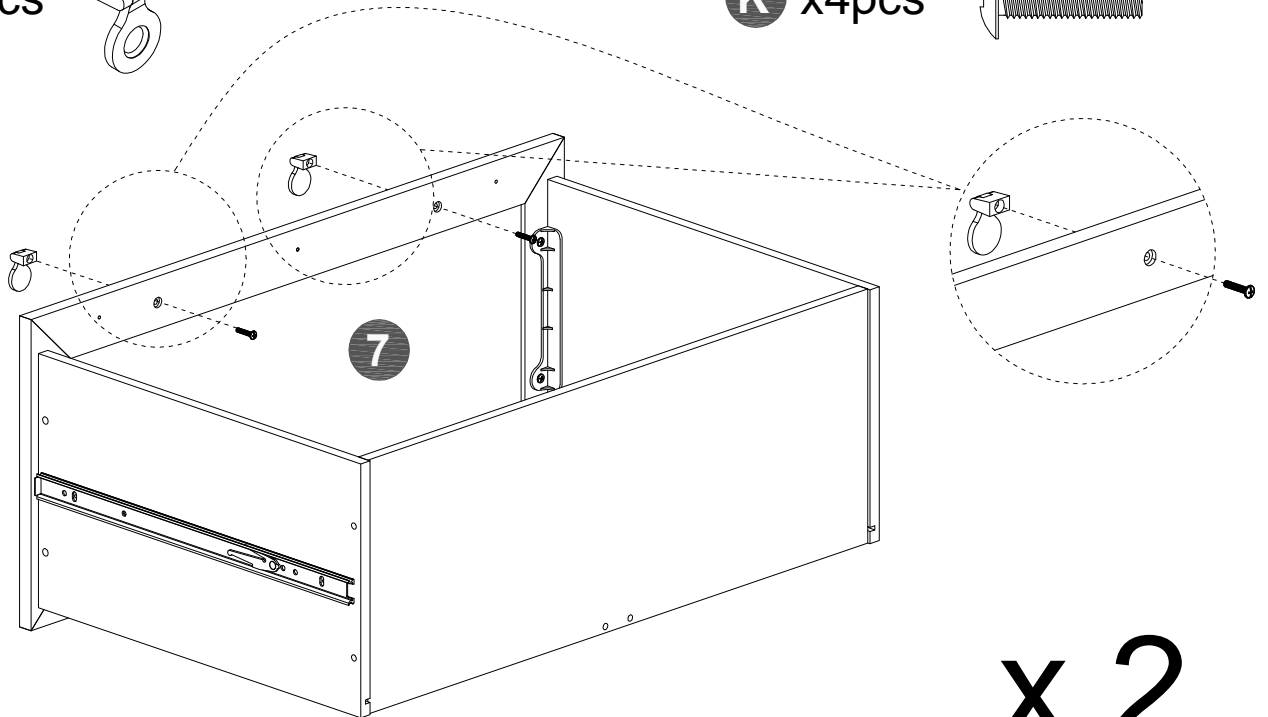
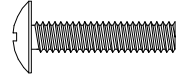
x 2

STEP 11

F x4pcs



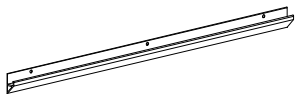
K x4pcs



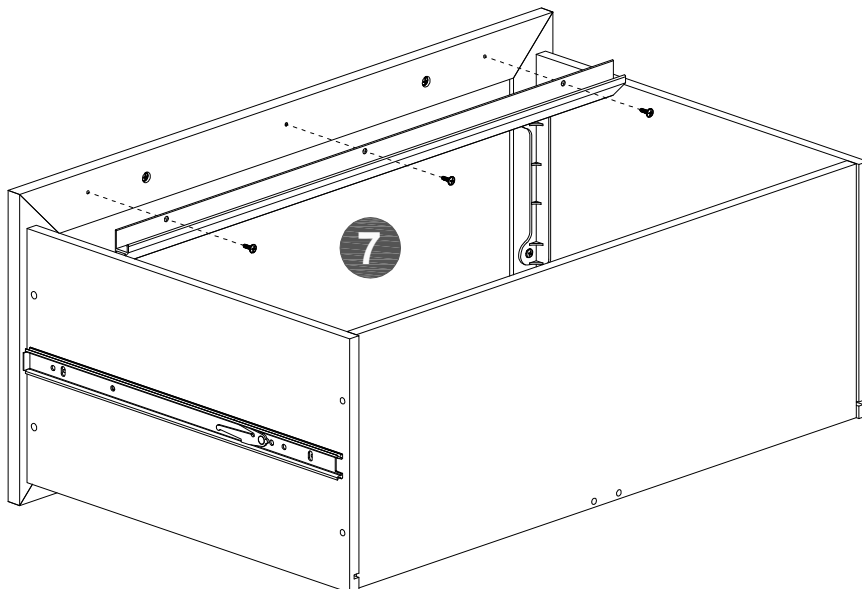
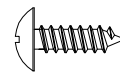
x 2

STEP 12

Y x2pcs



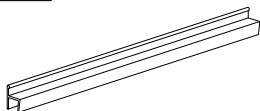
O x6pcs



x 2

STEP 13

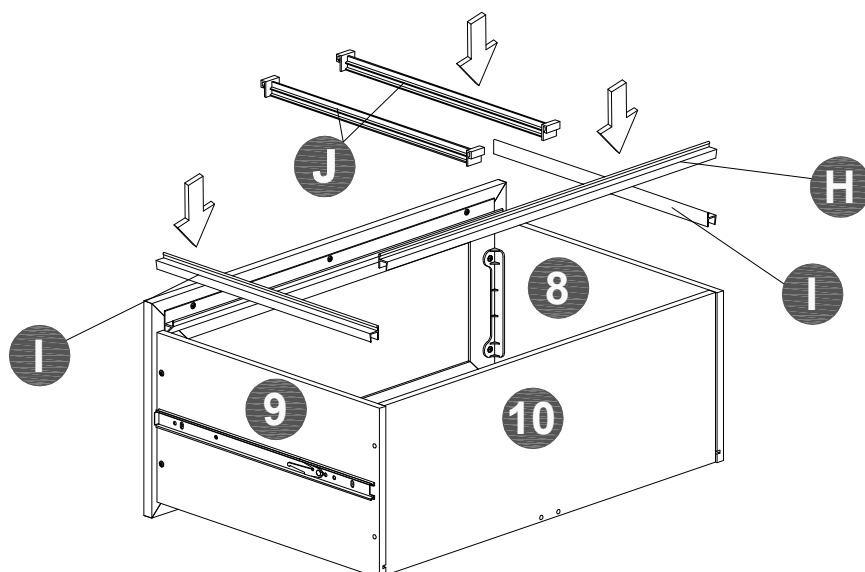
H x2pcs



I x4pcs



J x4pcs



x 2

STEP 14

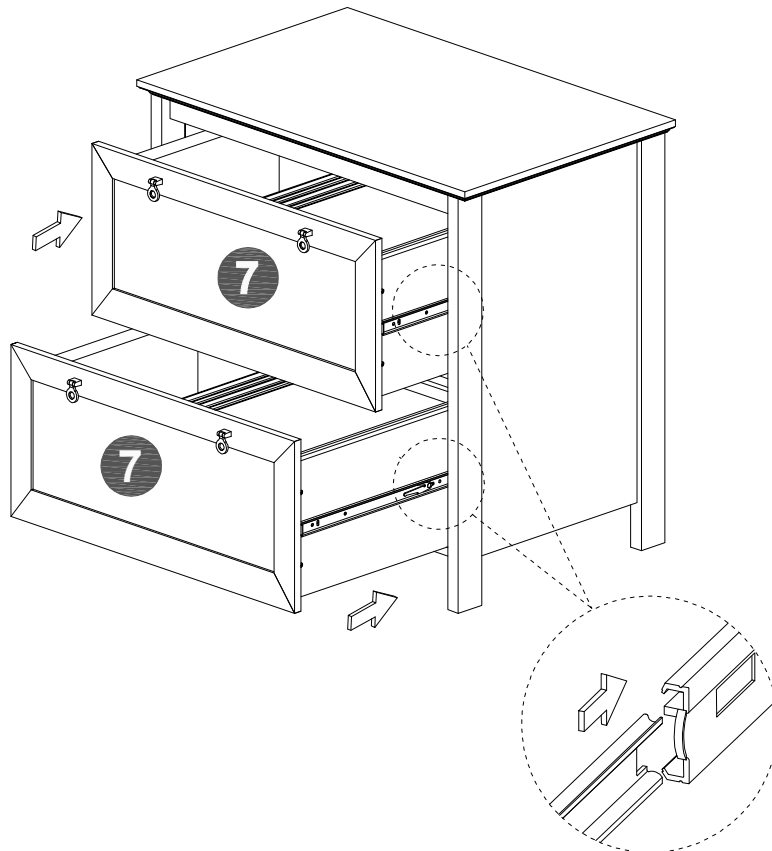
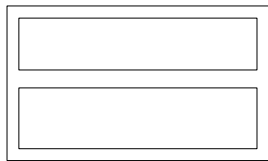
- Move unit to final location.
- Adjust drawer fronts as shown below.

Step1--Loosen screws on back of drawer front brackets as shown.

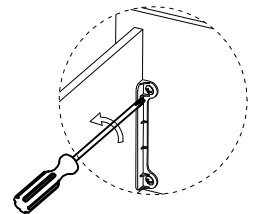
Step2--Position drawer front as required.

Step3--Tighten screws while holding drawer front in position.

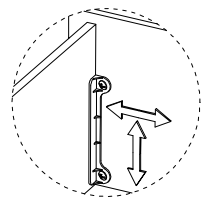
DRAWER FRONT VIEW



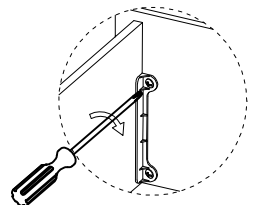
STEP 1.



STEP 2.



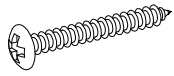
STEP 3.



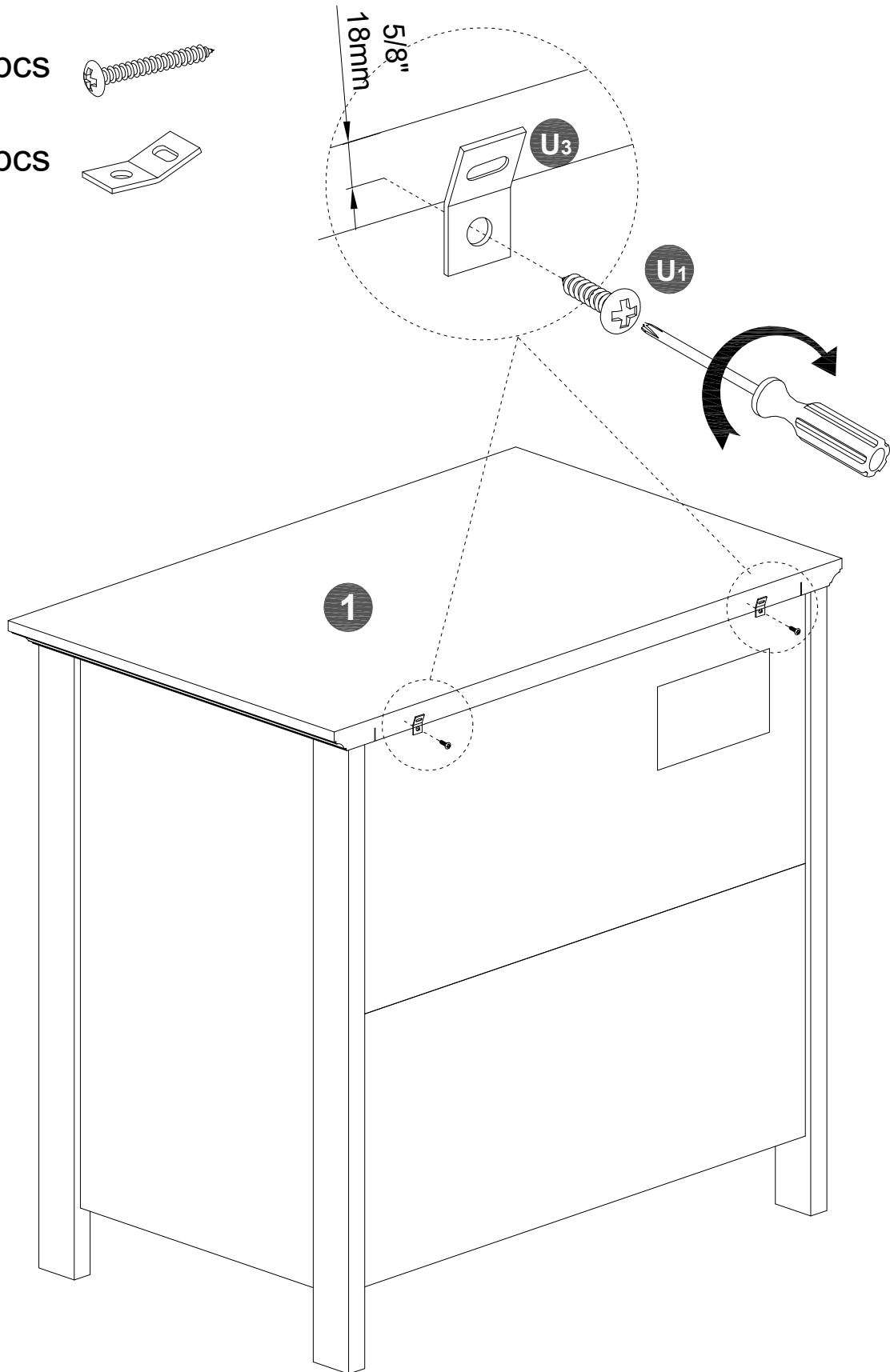
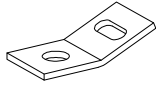
An assistant is required.

STEP 15

U₁ x2pcs



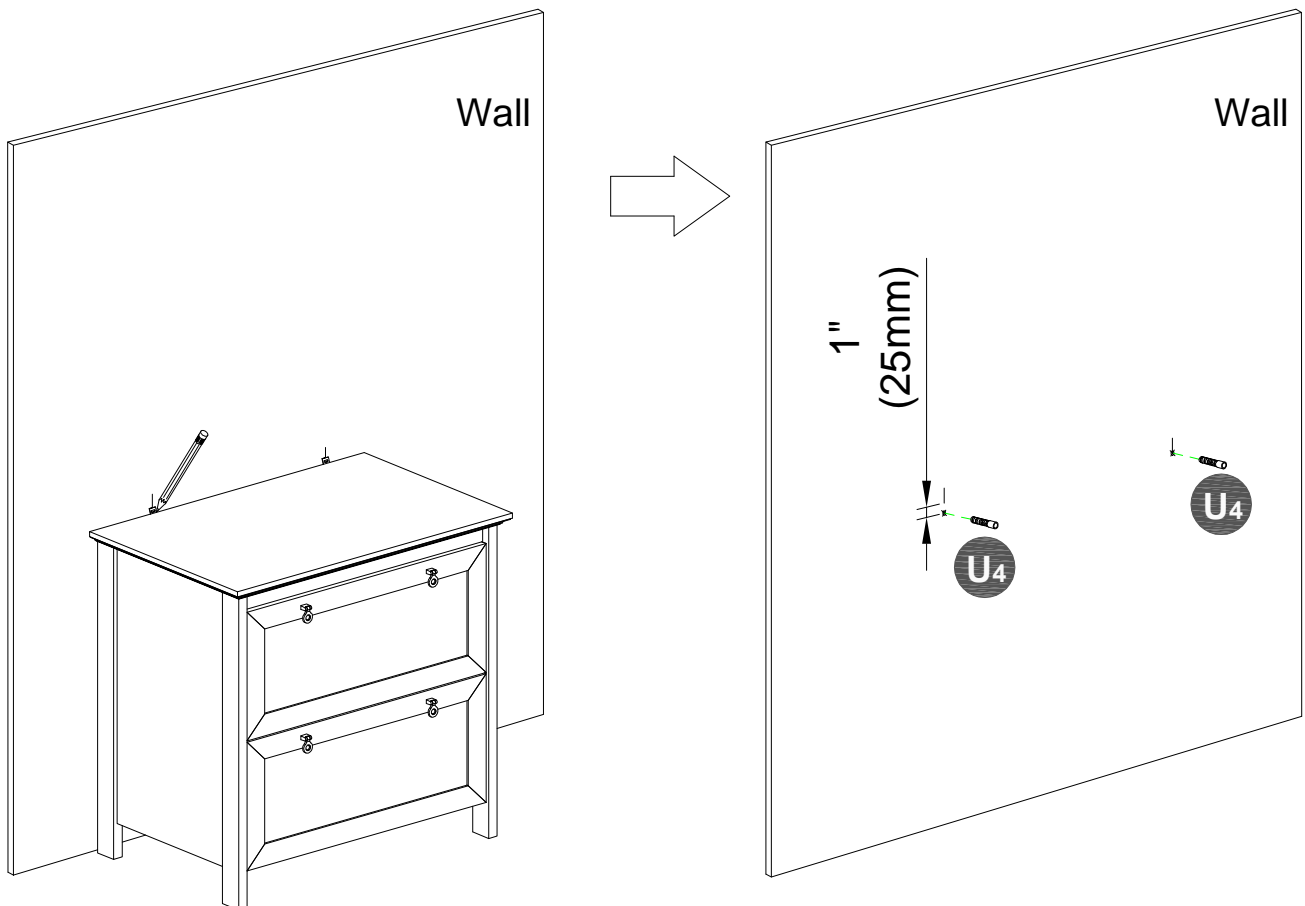
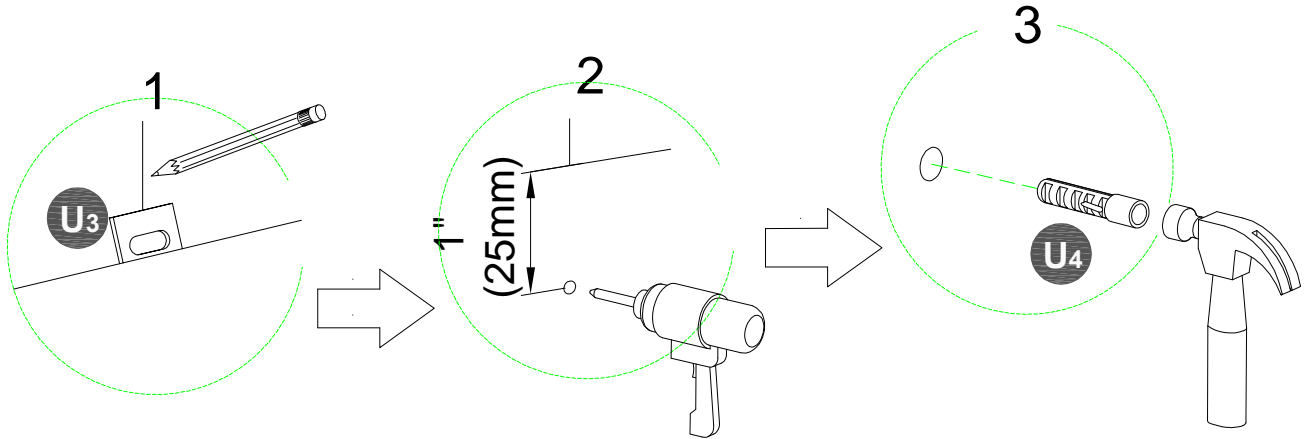
U₃ x2pcs



STEP 16


U₄ x2pcs 

1. Place unit in desired location.
2. Mark stud location on the wall, 1" below top and side of unit.
3. Drill 5/16" hole 2" deep at marks on the wall.

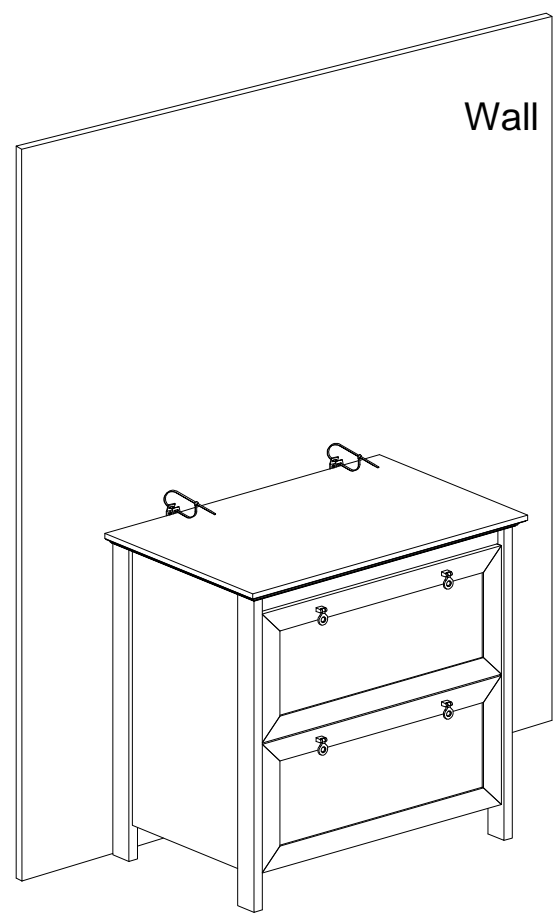
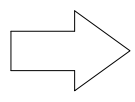
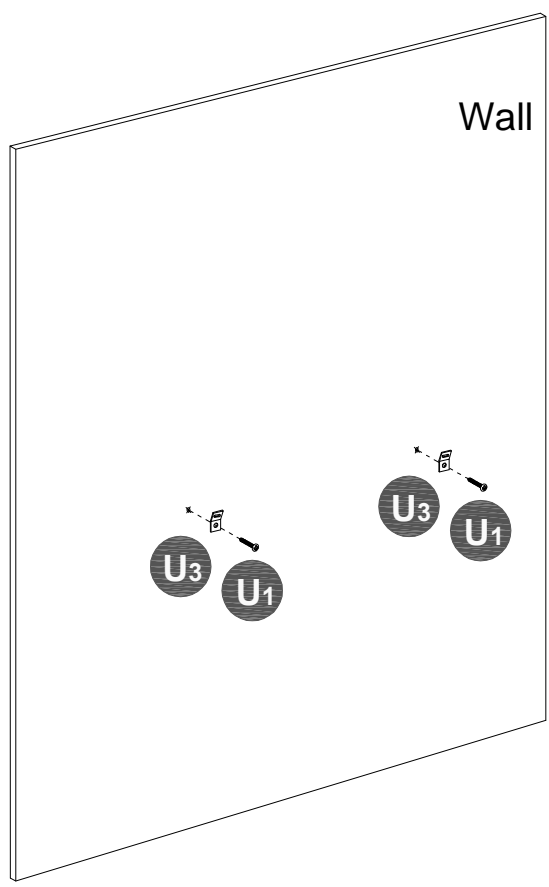
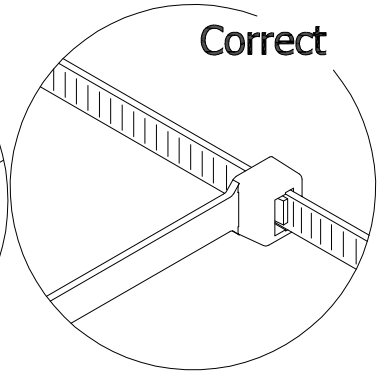
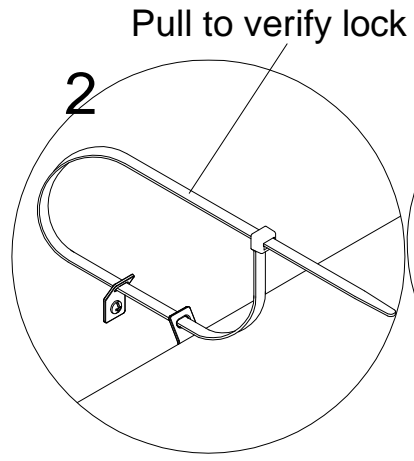
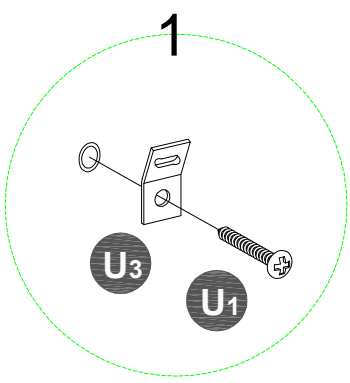


STEP 17

U₁ x2pcs 

U₅ x2pcs 

U₃ x2pcs 



Maximum weight capacities

