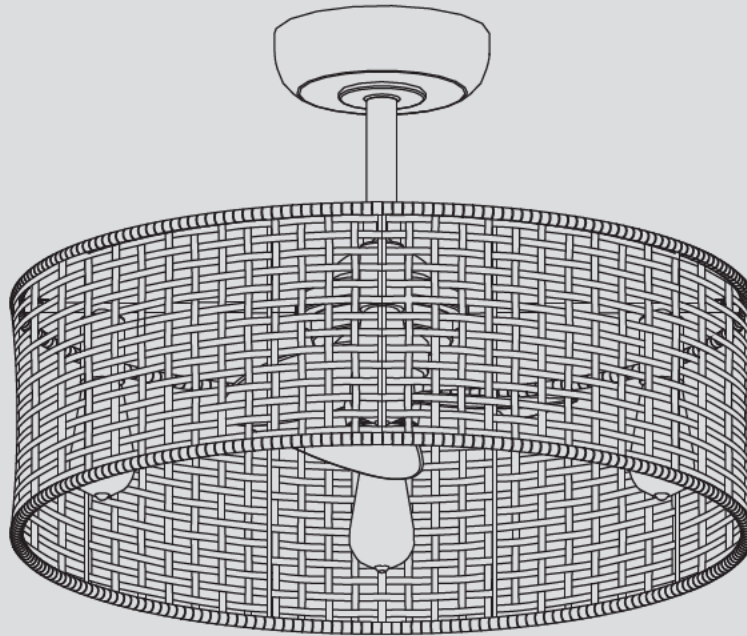


Ceiling Fan Installation Manual



Limited Lifetime Warranty

Progress Lighting fan motors are warranted to the original purchaser to be free of electrical and/or mechanical defects for so long as the original purchaser owns the fan. Pull chain switches, reverse switches, capacitors and metal finishes are warranted to be free from defects in materials or workmanship for a period of 1 year from the date of purchase. Warping of wooden or plastic blades is not covered by this warranty nor is corrosion and/or deterioration of any finishes for fans installed within ten miles of any sea coast. Extended warranties for qualified products may apply.

Progress Lighting ceiling fans with built-in LED light sources, when properly installed and under normal conditions of use, are warranted to be free from defects in material and workmanship which cause the light sources to fail to operate in accordance with the specifications for (i) five (5) years from the date of purchase on the LED Light modules and electrical components for fans used in single family residences, and (ii) three (3) years from the date of purchase on the LED Light modules and electrical components for fans used in multi-family or commercial applications. LED bulbs supplied by Progress Lighting carry no warranty other than manufacturer's warranty. Non-LED bulbs carry no warranty.

With proof of purchase, the original purchaser may return the defective fan to the place of purchase during the first 30 days for replacement. After 30 days, the original purchaser MUST contact Progress Lighting at for repair or replacement which shall be determined in Progress Lighting's sole discretion and shall be purchaser's sole and exclusive remedy.

Labor and Shipping Excluded. This warranty does not cover any costs or fees associated with the labor (including, but not limited to, electrician's fees) required to install, remove, or replace a fan or any fan parts.

This warranty shall not apply to any loss or damage resulting from (i) normal wear and tear or alteration, misuse, abuse or neglect, or (ii) improper installation, operation, repair or maintenance by original purchaser or a third party, including without limitation improper voltage supply or power surge, use of improper parts or accessories, unauthorized repair (made or attempted) or failure to provide maintenance to the fan.

THE FOREGOING WARRANTIES STATE PROGRESS LIGHTING'S ENTIRE WARRANTY OBLIGATION AND ORIGINAL PURCHASER'S SOLE AND EXCLUSIVE REMEDY RELATED TO SUCH PRODUCTS. PROGRESS LIGHTING IS NOT RESPONSIBLE FOR DAMAGES (INCLUDING INDIRECT, SPECIAL, INCIDENTAL OR CONSEQUENTIAL), DUE TO PRODUCT FAILURE, WHETHER ARISING OUT OF BREACH OF WARRANTY, BREACH OF CONTRACT, OR OTHERWISE. THIS WARRANTY IS GIVEN IN LIEU OF ALL OTHER WARRANTIES, WHETHER EXPRESSED OR IMPLIED, INCLUDING THOSE OF MERCHANTABILITY, FITNESS FOR A PARTICULAR PURPOSE OR NONINFRINGEMENT.

Some states do not allow limitations on how long an implied warranty lasts or the exclusion or limitations of incidental or consequential damages, so the above limitations and exclusions may not apply to you. This warranty gives you specific rights and you may have other rights which vary from state to state.

Safety Rules.....	1.
Unpacking Your Fan	2.
Installing Your Fan	3.
Operating Your Transmitter	7.
Care of Your Fan	9.
Troubleshooting	10.
Specifications	11.

Table of Contents

1. To reduce the risk of electric shock, insure electricity has been turned off at the circuit breaker or fuse box before beginning.
2. All wiring must be in accordance with the National Electrical Code and local electrical codes. Electrical installation should be performed by a qualified licensed electrician.
3. **WARNING:** To reduce the risk of electrical shock and fire, do not use this fan with any solid-state fan speed control device.
4. **WARNING:** To reduce the risk of fire, electric shock, or personal injury, mount to outlet box marked "Acceptable for Fan Support of 15.9 kg (35 lbs.) Or Less" and use mounting screws provided with the outlet box. Most outlet boxes commonly used for the support of light fixtures are not acceptable for fan support and may need to be replaced. Due to the complexity of the installation of this fan, a qualified licensed electrician is strongly recommended.
8. To avoid personal injury or damage to the fan and other items, be cautious when working around or cleaning the fan.
9. Do not use water or detergents when cleaning the fan or fan blades. A dry dust cloth or lightly dampened cloth will be suitable for most cleaning.
10. After making electrical connections, spliced conductors should be turned upward and pushed carefully up into the outlet box. The wires should be spread apart with the grounded conductor and the equipment-grounding conductor on one side of the outlet box.
11. Electrical diagrams are for reference only. Light kits that are not packed with the fan must be UL Listed and marked suitable for use with the model fan you are installing. Switches must be UL General Use Switches. Refer to the Instructions packaged with the light kits

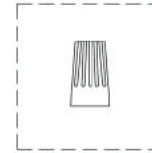
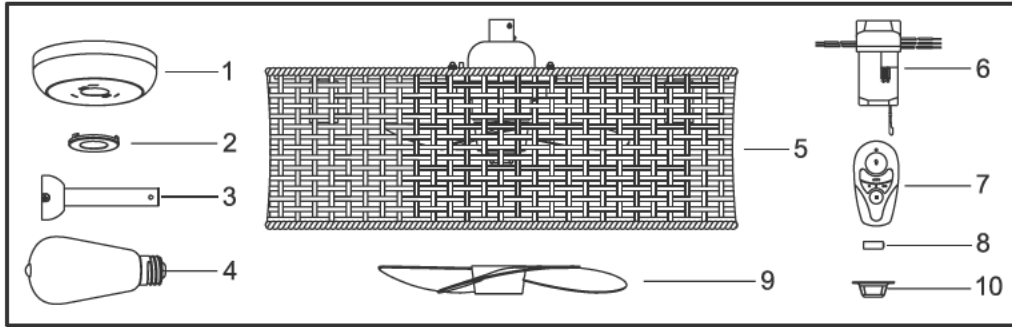
WARNING
TO REDUCE THE RISK OF FIRE, ELECTRIC SHOCK OR PERSONAL INJURY, MOUNT FAN TO OUTLET BOX MARKED ACCEPTABLE FOR FAN SUPPORT.

5. The outlet box and support structure must be securely mounted and capable of reliably supporting a minimum of 35 lbs (15.9 kg) or less. Use only UL-listed outlet boxes marked FOR FAN SUPPORT.
6. The fan must be mounted with a minimum of 10 ft (3.05m) clearance from the bottom of the fan guard to the floor.
7. Avoid placing objects in the path of the blades.

WARNING
TO REDUCE THE RISK OF PERSONAL INJURY, DO NOT BEND THE BLADE ARMS (ALSO REFERRED TO AS BRACKETS) DURING ASSEMBLY OR AFTER INSTALLATION. DO NOT INSERT OBJECTS IN THE PATH OF THE BLADES.

NOTE
READ AND SAVE ALL INSTRUCTIONS!

1. Safety Rules



Unpack your fan and check the contents. You should have the following items:

- | | |
|--------------------------|-------------------------------|
| 1. Canopy assembly | 7. Remote Control Transmitter |
| 2. Cover | 8. 12V battery |
| 3. Ball/downrod assembly | 9. Fan blade |
| 4. LED bulbs (4) | 10. Finial |
| 5. Fixture assembly | |
| 6. Receiver | |

11. Loose parts bag containing:

- a. Mounting hardware Wire nuts (6)

Unpacking Your Fan 2.

Tools Required

Phillips screw driver, straight slot screw driver, adjustable wrench, step ladder, and wire cutters.

Mounting Options

If there isn't an existing cUL listed mounting box, then read the following instructions. Disconnect the power by removing fuses or turning off circuit breakers.

Secure the outlet box directly to the building structure. Use appropriate fasteners and building materials. The outlet box and its support must be able to fully support the moving weight of the fan (at least 35 lbs). Do not use plastic outlet boxes.

WARNING

TO REDUCE THE RISK OF FIRE, ELECTRIC SHOCK, OR OTHER PERSONAL INJURY, MOUNT FAN ONLY TO AN OUTLET BOX MARKED ACCEPTABLE FOR FAN SUPPORT AND USE THE MOUNTING SCREWS PROVIDED WITH THE OUTLET BOX. OUTLET BOXES COMMONLY USED FOR THE SUPPORT OF LIGHTING FIXTURES MAY NOT BE ACCEPTABLE FOR FAN SUPPORT AND MAY NEED TO BE REPLACED. CONSULT A QUALIFIED ELECTRICIAN IF IN DOUBT.

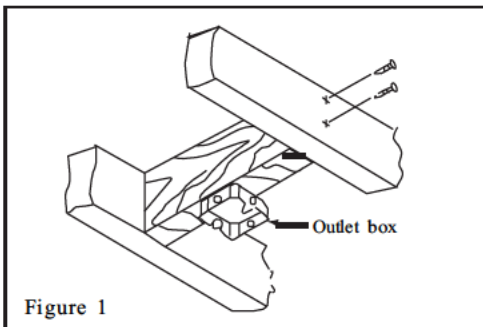


Figure 1

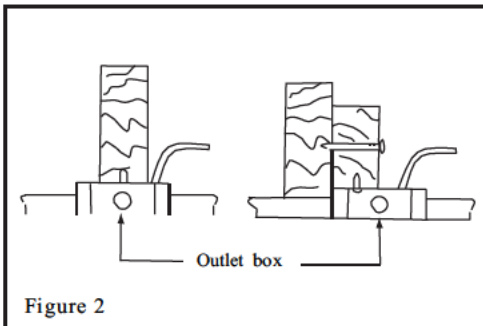


Figure 2

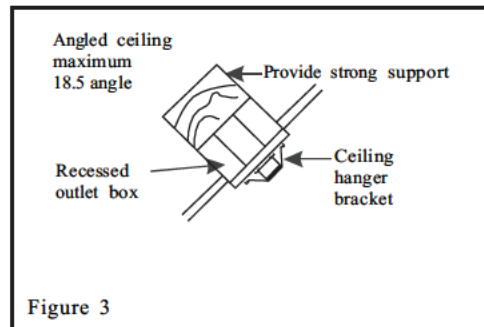


Figure 3

Note: You may need a longer downrod to maintain proper clearance when installing on a steep, sloped ceiling.

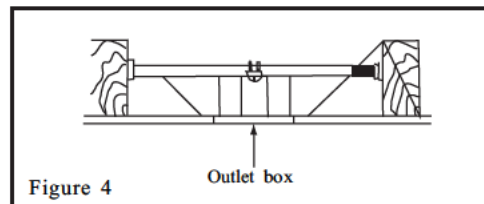


Figure 4

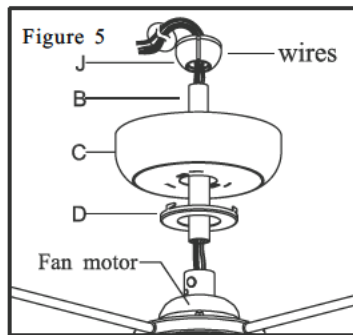
To hang your fan where there is an existing fixture but no ceiling joist, you may need an installation hanger bar as shown in Figure 4

3. Installing Your Fan

Hanging the Fan

REMEMBER to turn off the power. Follow the steps below to hang your fan properly:

Step 1. Route the wires exiting the top of the fan motor through the cover (D) and then through the canopy (C), downrod (B) and hanger ball (J) assembly.(Fig.5)



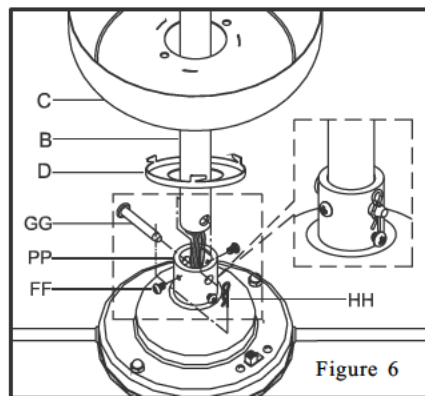
Step 2. Insert the downrod (B) through the metal cover (D) and canopy (C). (Fig 6)

Step 3. Insert the end of downrod (B) through the connector (PP),align the two holes in the downrod (B) and the connector (PP).(Fig.6)

Step 4. Insert a plug pin (GG) through the two holes in the downrod (B) and the connector (PP). (Fig.6)

Step 5. Insert the R-shaped pin (HH) through the hole near the end of the plug pin (GG) until it snaps into its locked position. (Fig.6)

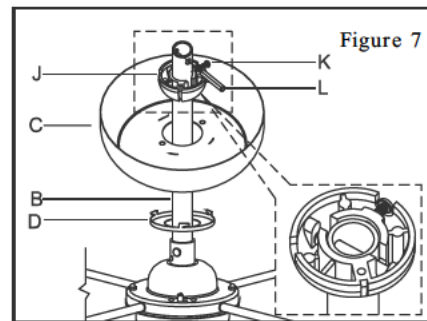
Step 6. Install the screw (FF) to the connector (PP), and make sure it's tighten, Screws (FF) should be tight against the downrod (B). (Fig.6)



Step 7. Insert the hanger ball (J) onto the downrod (B), and then insert a plug pin (L) through the hole in the downrod (B). (Fig.7)

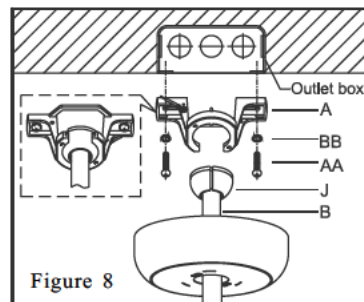
Step 8. Insert the plug pin to the slot cut off in the hanger ball (J) until it snaps into its locked position. (Fig.6)

Step 9. Use the Screw(K) to lock the hanger ball (J) to the downrod (B). (Fig.7)



Step 10. Install the Hanger bracket (A) on the outlet box by using the washer (BB) and screws(AA) provided with the Outlet box. (Fig.8)

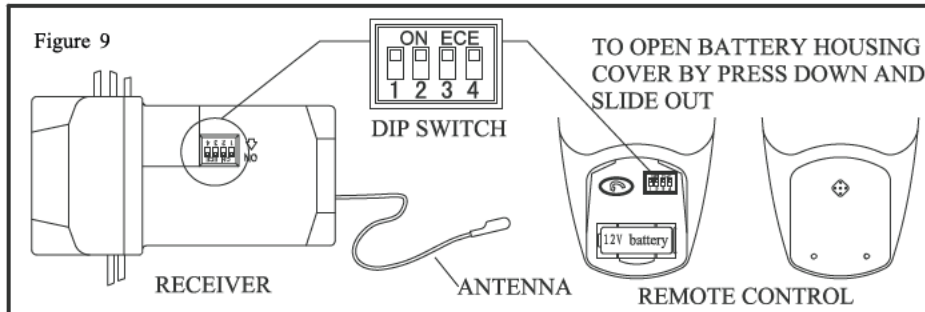
Step 11. Put the hanger ball (J) through the open side of the ceiling mounting bracket (A), and then insert the hanger ball(J) to the slot cut off in the ceiling mounting bracket(A). (Fig.8)



Make the Electric Connections

WARNING: To avoid possible electrical shock, be sure electricity is turned off at the main fuse box before wiring.

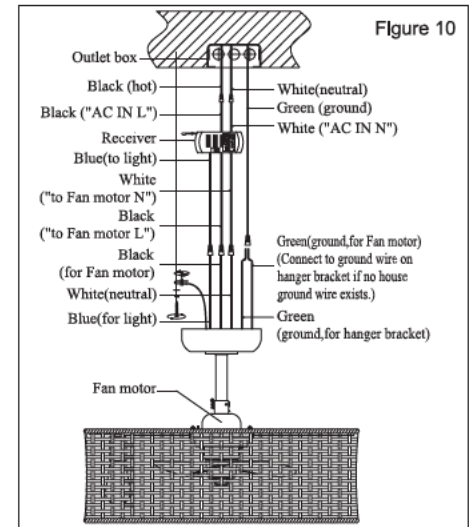
CODE SWITCH: Codes are set by pushing dip switches up or down. It is imperative that the code used for both transmitter and receiver is exactly the same, otherwise remote controller will not work. Please note the code switch will enable you to operate a second remote controller independently. For example, if you have two ceiling fans with 2 remote control units, set 2 different codes for each set of transmitter/receivers. This means you can operate each ceiling fan independently. Your remote control is ready for use after battery installation. (Fig.9)



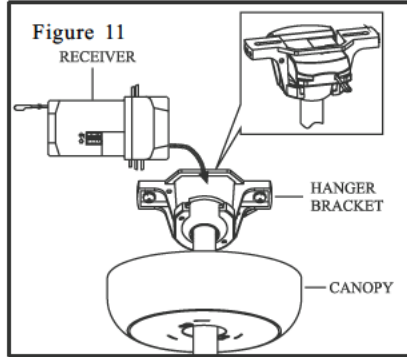
Step 1. Fan motor to Receiver Electrical Connections: Connect the Black wire from the fan to Black wire marked "TO MOTOR L". Connect the White wire from the fan to the White wire marked "TO MOTOR N" from the receiver. Connect the blue wire from the light to the blue wire from the Receiver. Secure wire connections with the plastic wire nuts provided. (Fig. 10)

Step 2. Receiver to House Supply Wires Electrical Connections: Connect the black (hot) wire from the ceiling to the black wire marked "AC IN L" from the receiver. Connect the white (neutral) wire from the ceiling to the white wire marked "AC IN N" from the Receiver. Secure the wire connections with the plastic wire nuts provided. (Fig. 10)

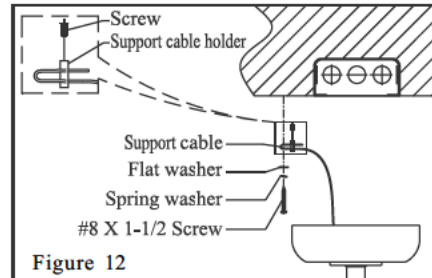
Step 3. If your outlet box has a ground wire (green or bare copper) connect it to the fan ground wires; otherwise connect the hanging bracket ground wire to the mounting bracket. Secure the wire connection with plastic wire nuts provided. After connecting the wires spread them apart so that the green and white wires are on one side of the outlet box and black and blue wires are on the other side. Carefully tuck the wire connections up into the outlet box. (Fig. 10)



Step 4. Once the connection has been made, the receiver inserts into the down rod hanging bracket. The canopy comes up to cover the receiver and bracket. (Fig. 11)



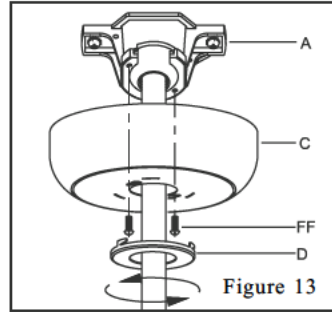
An additional safety support is provided to prevent the fan from falling. Secure the Support cable to the ceiling joist with screw and washer. Screw and Support cable holder lock the fixed Support cable. (Fig. 12)



Installing the canopy:

Step 1. Align the locking slots of the canopy (C) with the two screws (FF) in the mounting bracket (A). Push up to engage the slots and to lock in place. (Fig. 13)

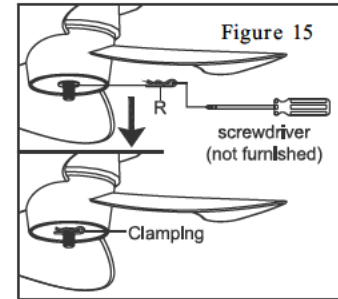
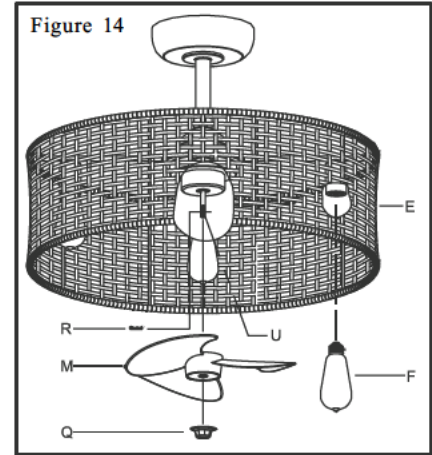
Step 2. Rotate the metal cover (D) clockwise to lock in the bottom of the canopy. (Fig. 13)



Installing the Fan blades, rattan shade and bulbs:

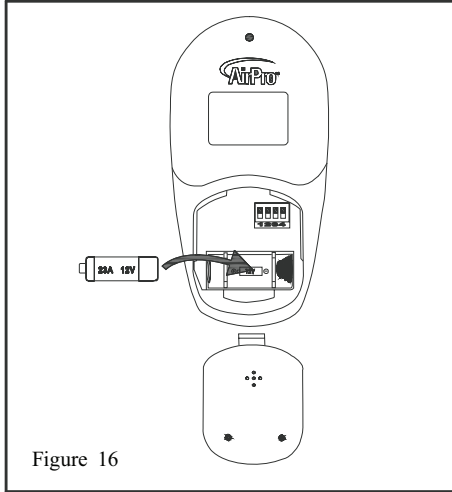
Step 1: Install the fan blades (M) onto the fan motor shaft (U). Put the R-shaped pin (R) into the motor shaft (U) to lock with a screwdriver or pliers. (Fig. 15) Left handed thread on the lock nut (Q). Install lock nut (Q) onto the motor shaft (U) after the fan blades (M) is installed. (Fig. 14)

Step 2. Screw light bulbs (F) into the fixture Sockets(S). (Fig. 14)



Installing the battery

Install 12V A23 battery (included),
To prevent damage to transmitter, remove the battery
if not used for long periods.(Fig. 16)



Restore power to ceiling fan and test for proper operation.

1. "○,○○,○○○,"buttons:

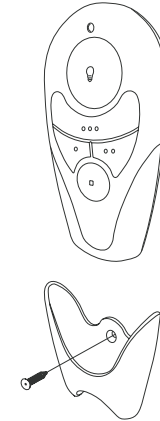
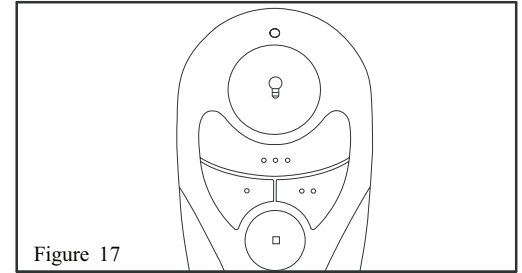
These three buttons are used to set the fan speed as follows (Fig. 17):

- = Low speed
- = Medium speed
- = High speed

2. "□" button:

This button turns the fan off.

3. The "💡" button turns the light ON or OFF and also controls the brightness setting. Press and release the button to turn the light ON or OFF. Press and hold the button to set the desired brightness. The light key has an auto-resume, it will stay at the same brightness as the last time it was turned off.



Installation of Transmitter Wall
Mount Holder with one screw.

7. Operating Your Transmitter

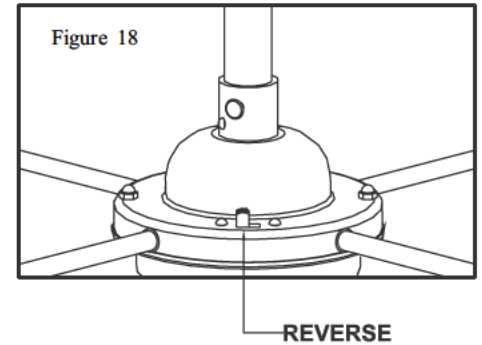
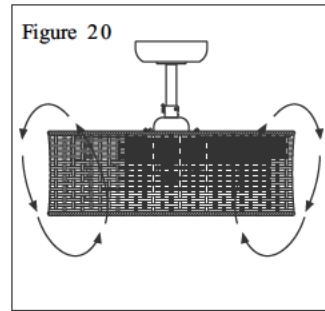
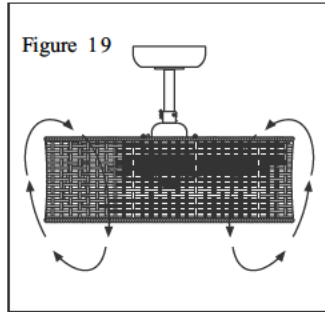
The Reverse switch is located on the top of the motor housing. Slide the switch to the Left for warm weather operation. Slide the switch to the Right for cool weather operation. (Fig. 18)

NOTE: Wait for fan to stop before changing the setting of the slide switch.

Speed settings for warm or cool weather depend on factors such as the room size, ceiling height, number of fans, etc.

Warm weather - (Forward) A downward air flow creates a cooling effect as shown in Figure 19. This allows you to set your air conditioner on a higher setting without affecting your comfort.

Cool weather - (Reverse) An upward airflow moves warm air off the ceiling area as shown in Figure 20. This allows you to set your heating unit on a lower setting without affecting your comfort.



Here are some suggestions to help you maintain your fan

1. Because of the fan's natural movement, some connections may become loose. Check the support connections, brackets, and blade attachments twice a year. Make sure they are secure. (It is not necessary to remove fan from ceiling.)

2. Clean your fan periodically to help maintain its new appearance over the years. Use only a soft brush or lint-free cloth to avoid scratching the finish. The plating is sealed with a lacquer to minimize discoloration or tarnishing. Do not use water when cleaning. This could damage the motor or possibly cause an electrical shock.

3. Cover small scratches with a light application of shoe polish.

4. There is no need to oil your fan. The motor has permanently lubricated bearings.

5. The fan comes with a pre-assembled blade and front guard for your easy installation. Check that all screws are tight and securely in place.

6. Use a lint free lightly damp cloth or duster to remove dust from the blades.

IMPORTANT
MAKE SURE THE POWER IS OFF AT THE
ELECTRICAL PANEL BOX BEFORE YOU
ATTEMPT ANY REPAIRS. REFER TO THE
SECTION "MAKING ELECTRICAL
CONNECTIONS"

9. Care of Your Fan

Problem

Solution

Fan will not start.

1. Check circuit fuses or breakers.
2. Check line wire connections to the fan and switch wire connections in the switch housing.
CAUTION: Make sure main power is off.
3. Check to make sure the dip switches from the transmitter and receiver are set to the same frequency.
4. Check the battery in the transmitter.

Fan sounds noisy.

1. Make sure all motor housing screws are snug.
2. Make sure wire nut connections are not rubbing against each other or the interior wall of the switch housing.
CAUTION: Make sure main power is off.
3. Allow a 24-hour "breaking-in" period. Most noise associated with a new fan disappear during this time.
4. Check that light bulb is also secure.
5. Some fan motors are sensitive to signals from solid-state variable speed controls. If you have installed this type of control, choose and install another type of control.
6. Make sure the upper canopy is a short distance from the ceiling. It should not touch the ceiling.

Remote control malfunction

1. Do not connect the fan with wall mounted variable speed control (s).
2. Make sure the dip switches are set correctly.

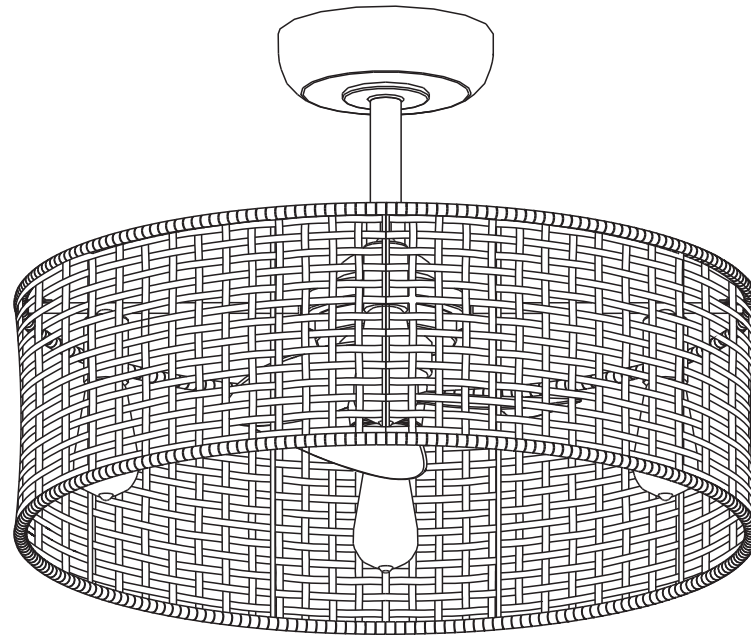
Troubleshooting 10.

Size	Speed	Volts	Fan Power Consumption (without lights) WATT	Airflow CFM	Airflow Efficiency (Higher Is Better) CFM/WATT	Net Weight	Gross Weight	Cubic Feet
14in.	Low	120	21.75	888.10	40.92	12.89 lb (5.85kg)	18.74 lb (8.5kg)	6.580cu. Ft.
	Medium		29.41	1109.82	37.75			
	High		37.10	1331.40	35.88			

These are approximate measures. They do not include Amps and Wattage used by the light kit.

11. Specifications

Manuel d'installation du ventilateur de plafond



Garantie à vie limitée

Progress Lighting garantit à l'acheteur original que ses moteurs de ventilateur sont exempts de tout défaut de fabrication et de matériaux pour aussi longtemps qu'il possède le ventilateur. Les interrupteurs à chaîne (tirette), les sélecteurs d'inversion, les condensateurs et les finis en métal sont garantis exempts de tout défaut de matériaux ou de fabrication pendant une période d'un an à compter de la date d'achat. La déformation des pales en bois ou plastique n'est pas couverte par la présente garantie, ni ne sont la corrosion ou toute détérioration des finis pour les ventilateurs installés à moins de 16 km d'une côte. Les garanties prolongées couvrant les produits homologués ENERGY STAR® peuvent s'appliquer.

Les ventilateurs de plafond de Progress Lighting avec sources de lumière à DEL intégrées, s'ils sont installés correctement et dans des conditions normales d'utilisation, sont garantis contre les défauts de matériaux et de fabrication qui empêchent les sources de lumières de fonctionner conformément aux spécifications pendant (i) cinq (5) ans à compter de la date d'achat pour les modules d'éclairage à DEL et les composants électriques des ventilateurs utilisés dans les résidences unifamiliales et (ii) trois (3) ans à compter de la date d'achat pour les modules d'éclairage à DEL et les composants électriques des ventilateurs utilisés dans les applications multifamiliales ou commerciales. Les ampoules DEL fournies par Progress Lighting ne sont couvertes par aucune garantie autre que la garantie du fabricant. Les ampoules non DEL ne sont couvertes par aucune garantie.

L'acheteur original peut retourner le ventilateur défectueux au lieu d'achat avec une preuve d'achat pendant les 30 premiers jours pour obtenir un remplacement. Au bout de 30 jours, l'acheteur original DOIT communiquer avec Progress Lighting au 864 678-1000 pour réclamer une réparation ou un remplacement, selon la seule détermination de Progress Lighting et ceci constituera le seul et unique recours de l'acheteur.

Les frais de main d'œuvre et d'expédition sont exclus. La présente garantie ne couvre pas les coûts ou frais associés à la main d'œuvre (y compris, sans s'y limiter, les honoraires de l'électricien) requise pour installer, retirer ou remplacer le ventilateur ou des pièces quelconques du ventilateur.

La présente garantie ne s'applique pas à toute perte ou tout dommage résultant de (i) une usure ou altération normale, un mauvais usage, un usage abusif ou la négligence, ou (ii) une installation, une utilisation, une réparation ou un entretien incorrect(e) par l'acheteur original ou une tierce partie, y compris mais sans s'y limiter, une tension d'alimentation incorrecte ou une surtension, l'utilisation de pièces ou accessoires inapproprié(s), une réparation non autorisée (effectuée ou tentée), ou un manque d'entretien du ventilateur.

LES GARANTIES CI-DESSUS ÉTABLISSENT L'OBLIGATION TOTALE DE PROGRESS LIGHTING ET LE SEUL ET UNIQUE RECOURS DE L'ACHETEUR ORIGINAL EN VERTU DESDITES GARANTIES, CONCERNANT TELS PRODUITS. PROGRESS LIGHTING N'EST PAS TENUE RESPONSABLE DES DOMMAGES (Y COMPRIS LES DOMMAGES INDIRECTS, SPÉCIAUX, CONSÉCUTIFS OU ACCESSOIRES) RÉSULTANT D'UNE DÉFAILLANCE DU PRODUIT, EN RAISON D'UNE VIOLATION DE GARANTIE, D'UNE RUPTURE DE CONTRAT OU AUTRE. LA PRÉSENTE GARANTIE REMPLACE TOUTES LES AUTRES GARANTIES, EXPRESSES OU IMPLICITES, Y COMPRIS LES GARANTIES IMPLICITES DE QUALITÉ MARCHANDE ET D'APTITUDE À UN USAGE PARTICULIER OU RELATIVES À L'ABSENCE DE CONTREFAÇON.

Certains états et provinces ne permettent pas les restrictions quant à la durée d'une garantie implicite, ni l'exclusion ou la restriction des dommages indirects ou accessoires. Par conséquent, les restrictions et les exclusions mentionnées ci-dessus peuvent ne pas s'appliquer à votre cas. En vertu de la présente garantie, vous bénéficiez de droits juridiques particuliers; toutefois, d'autres droits peuvent s'appliquer, selon l'état ou la province où vous résidez.

Règles de sécurité	1.
Déballage du ventilateur	2.
Installation du ventilateur	3.
Utilisation de l'émetteur	7.
Entretien du ventilateur.....	9.
Dépannage	10.
Caractéristiques techniques.....	11.

Table des matières

1. Pour réduire les risques de choc électrique, assurez-vous que le courant est coupé au niveau de la boîte de disjoncteurs ou à fusibles avant de procéder à l'installation.
2. Tout le câblage doit être conforme aux codes électriques locaux et au Code électrique national. L'installation électrique doit être effectuée par un électricien qualifié accrédité.
3. AVERTISSEMENT : Afin de réduire les risques de choc électrique et d'incendie, n'utilisez pas ce ventilateur avec un dispositif de contrôle de la vitesse du ventilateur à semi-conducteurs.
4. AVERTISSEMENT : Afin de réduire les risques d'incendie, de choc électrique ou de blessure, installez sur une boîte de sortie de courant portant la mention « Acceptable pour le support d'un ventilateur de 15,9 kg (35 lb) ou moins » et utiliser les vis de montage fournies avec la boîte de sortie de courant. La plupart des boîtes de sortie de courant couramment utilisées pour le support de luminaires ne sont pas acceptables pour le support d'un ventilateur et peuvent devoir être remplacées. Compte tenu de la complexité de l'installation de ce ventilateur, il est fortement recommandé de faire appel à un électricien agréé qualifié.
8. Pour éviter les blessures corporelles ou les dommages au ventilateur ou d'autres objets, faites preuve de prudence en travaillant près du ventilateur ou en le nettoyant.
9. N'utilisez ni eau ni détergents pour nettoyer le ventilateur ou les pales du ventilateur. Un chiffon à poussière sec ou un linge légèrement humide conviennent en général pour le nettoyage.
10. Après avoir effectué les branchements électriques, tournez les conducteurs épaissés vers le haut et insérez-les soigneusement dans la boîte de sortie de courant. Les fils doivent être écartés de façon à ce que le conducteur mis à la terre et le conducteur de mise à la terre de l'équipement soient du même côté de la boîte de sortie de courant.
11. Les schémas électriques sont fournis à titre indicatif seulement. Les luminaires qui ne sont pas emballés avec le ventilateur doivent être homologués cUL et porter une mention spécifiant qu'ils peuvent être utilisés avec ce type de ventilateur. Les interrupteurs doivent être homologués cUL pour usage général. Se reporter aux instructions qui accompagnent les luminaires.

AVERTISSEMENT

AFIN DE RÉDUIRE LES RISQUES D'INCENDIE, DE CHOC ÉLECTRIQUE OU DE BLESSURE, INSTALLER À UNE BOÎTE DE SORTIE DE COURANT PORTANT LA MENTION ACCEPTABLE POUR LE SUPPORT DE VENTILATEUR.

5. La boîte de sortie de courant et la structure de support doivent être solidement installées et en mesure de supporter de manière fiable un poids de 15,9 kg (35 lb) ou moins. N'utiliser que des boîtes de sortie homologuées cUL et portant la mention « POUR LE SUPPORT D'UN VENTILATEUR ».
6. Le ventilateur doit être installé en prévoyant un dégagement minimal de 3,05 m (10 pi) entre le bas de la grille de protection du ventilateur et le plancher.
7. Ne placez pas d'objets dans la trajectoire des pales.

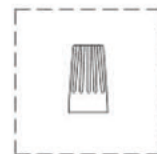
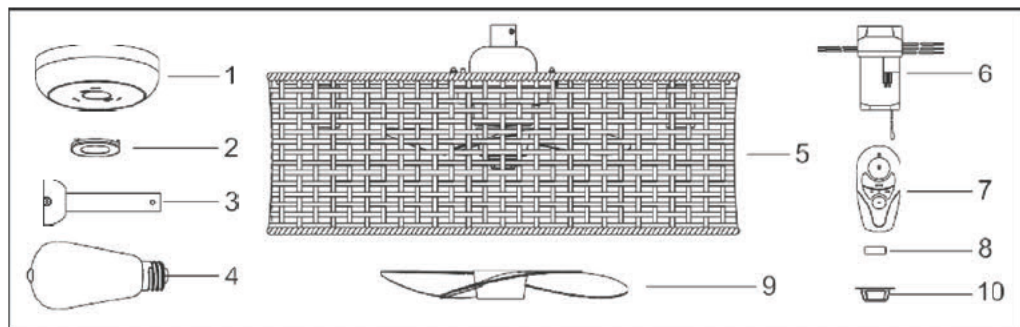
AVERTISSEMENT

AFIN DE RÉDUIRE LE RISQUE DE BLESSURE, NE PLIEZ PAS LES BRAS DES PALES (AUSSI APPELÉS SUPPORTS) PENDANT L'ASSEMBLAGE OU APRÈS L'INSTALLATION. NE PLACEZ PAS D'OBJETS DANS LA TRAJECTOIRE DES PALES.

REMARQUE

LISEZ ET CONSERVEZ TOUTES LES INSTRUCTIONS!

1. Règles de sécurité



Déballiez votre ventilateur et vérifiez le contenu de l'emballage. Les articles suivants devraient s'y trouver :

1. Monture
2. Couvercle
3. Ensemble boule/tige de suspension
4. Ampoules DEL (4)
5. Luminaire
6. Récepteur

7. Émetteur de télécommande
8. Pile de 12 V
9. Pale de ventilateur
10. Faîteau

11. Sac de pièces en vrac contenant :

- a. Capuchons de connexion pour la quincaillerie de montage (6)

Déballage du ventilateur 2.

Outils requis

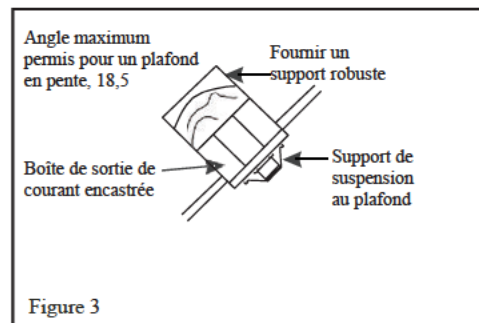
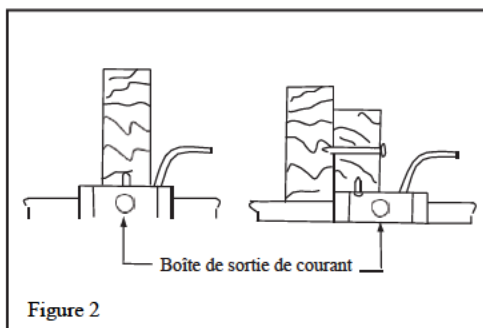
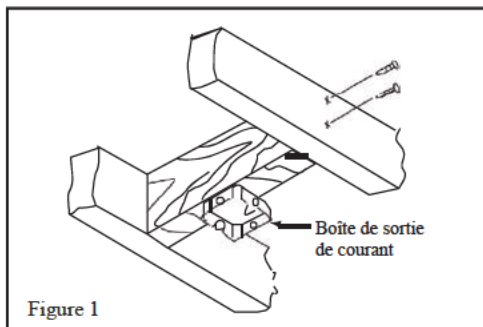
Toumevis cruciforme, tournevis à pointe plate, clé réglable, escabeau et pince coupe-fils.

Options de montage

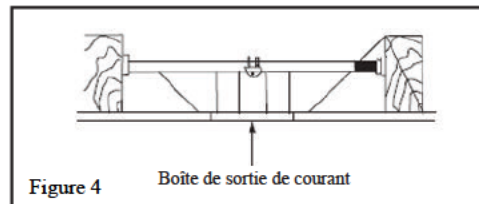
S'il n'y a pas de boîte de sortie de courant de montage homologuée cUL en place, lisez les instructions suivantes. Coupez l'alimentation en retirant les fusibles ou en déclenchant les disjoncteurs.

Fixez la boîte de sortie de courant solidement et directement à la structure du bâtiment. Utilisez les pièces de fixation et les matériaux de construction appropriés. La boîte de sortie de courant et son support doivent pouvoir supporter le plein poids du ventilateur en mouvement (au moins 15,9 kg [35 lb]). N'utilisez pas de boîtes de sortie de courant en plastique.

AVERTISSEMENT
POUR RÉDUIRE LE RISQUE D'INCENDIE, DE CHOC ÉLECTRIQUE OU DE TOUTE AUTRE BLESSURE, FIXEZ LE VENTILATEUR UNIQUEMENT À UNE BOÎTE DE SORTIE DE COURANT CONÇUE POUR SUPPORTER UN VENTILATEUR. AU MOYEN DES VIS FOURNIES AVEC LA BOÎTE DE SORTIE DE COURANT. IL SE PEUT QUE LES BOÎTES DE SORTIE DE COURANT UTILISÉES COURAMMENT POUR LE SUPPORT DE LUMINAIRES NE CONVIENNENT PAS AUX VENTILATEURS ET DOIVENT ÊTRE REMPLACÉES. EN CAS DE DOUTE, CONSULTEZ UN ÉLECTRICIEN QUALIFIÉ.



Remarque : Une tige de suspension plus longue peut s'avérer nécessaire pour maintenir un dégagement correct, lors d'une installation sur un plafond présentant une forte pente.



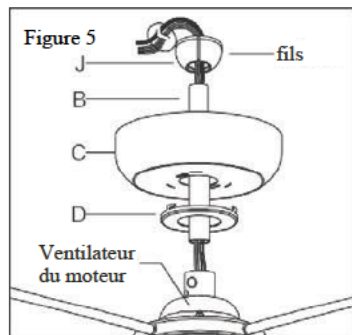
Pour suspendre le ventilateur là où il y a déjà un luminaire mais pas de solive de plafond, vous pourriez avoir besoin d'une barre de suspension pour l'installation, comme illustré à la Figure 4.

3. Installation du ventilateur

Suspension du ventilateur

N'OUBLIEZ PAS de couper l'alimentation électrique. Suivez les étapes ci-dessous pour suspendre correctement votre ventilateur :

Étape 1. Faites passer les fils sortant du dessus du moteur du ventilateur à travers le couvercle (D), puis ensuite à travers la monture (C), la tige de suspension (B) et la boule de suspension (J). (Fig. 5)



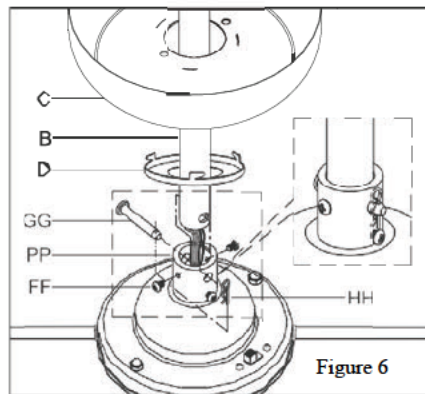
Étape 2. Insérez la tige de suspension (B) dans le couvercle en métal (D) et la monture (C). (Fig. 6)

Étape 3. Insérez l'extrémité de la tige de suspension (B) à travers le connecteur (PP), alignez les deux trous de la tige de suspension (B) et du connecteur (PP). (Fig. 6)

Étape 4. Insérez une goupille de suspension (GG) dans les deux trous de la tige de suspension (B) et du connecteur (PP). (Fig. 6)

Étape 5. Insérez la goupille en forme de R (HH) à travers l'orifice près de l'extrémité de la goupille de suspension (GG) jusqu'à ce qu'elle soit en position verrouillée. (Fig. 6)

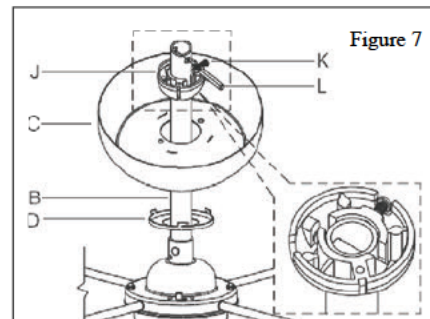
Étape 6. Installez la vis (FF) sur le connecteur (PP) et assurez-vous qu'elle est serrée; les vis (FF) doivent être bien serrées contre la tige de suspension (B). (Fig. 6)



Étape 7. Insérez la boule de suspension (J) sur la tige de suspension (B), puis insérez une goupille de suspension (L) dans le trou de la tige de suspension (B). (Fig. 7)

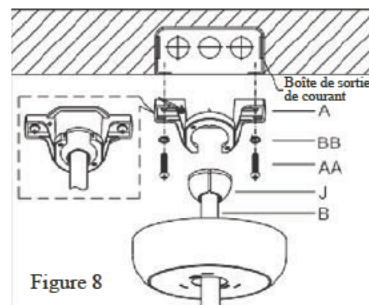
Étape 8. Insérez la goupille de suspension dans la rainure de la boule de suspension (J) jusqu'à ce qu'elle s'enclenche en position verrouillée. (Fig. 6)

Étape 9. Utilisez la vis (K) pour verrouiller la boule de suspension (J) sur la tige de suspension (B). (Fig. 7)



Étape 10. Installez le support de suspension (A) sur la boîte de sortie de courant à l'aide de la rondelle (BB) et des vis (AA) fournies avec la boîte de sortie de courant. (Fig. 8)

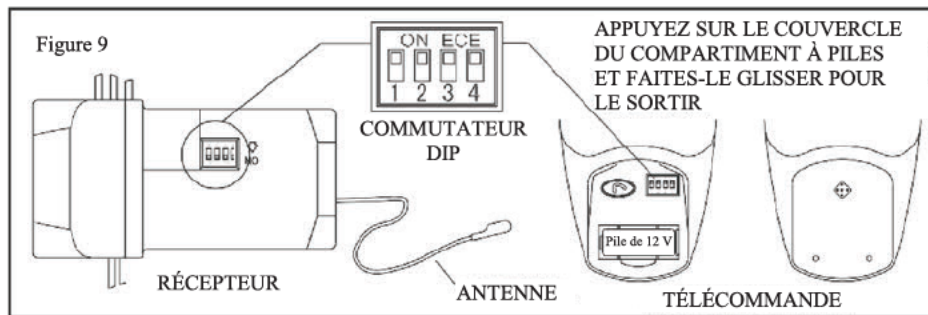
Étape 11. Installez la boule de suspension (J) à travers le côté ouvert du support de suspension au plafond (A), puis insérez la boule de suspension (J) dans la rainure du support de suspension au plafond (A). (Fig. 8)



Branchements électriques

AVERTISSEMENT : Afin d'éviter un choc électrique éventuel, assurez-vous de couper l'alimentation électrique au coffret à fusibles principal avant de procéder au câblage.

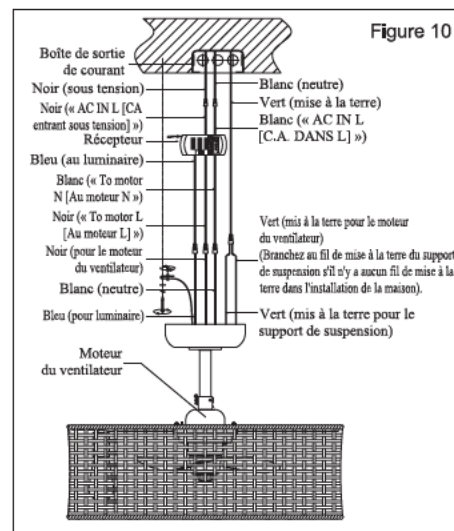
COMMUTATEUR DE CODE : Les codes sont réglés en poussant sur les commutateurs vers le haut ou vers le bas. Il est essentiel que le code utilisé pour l'émetteur et le récepteur soit le même, pour assurer le bon fonctionnement de la télécommande. Veuillez noter que le commutateur de code vous permet d'utiliser indépendamment une deuxième télécommande. Par exemple, si vous avez deux ventilateurs de plafond avec deux télécommandes, vous pouvez définir deux codes différents pour chaque récepteur/émetteur. Cela signifie que vous pouvez contrôler chaque ventilateur de plafond de façon indépendante. Votre télécommande est prête à être utilisée après l'insertion des piles. (Fig. 9)



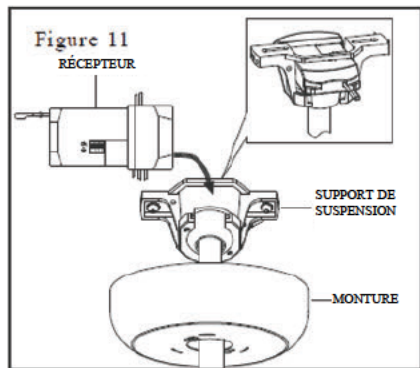
Étape 1. Branchements électriques du moteur du ventilateur au récepteur: Branchez le fil noir du ventilateur au fil noir portant la mention « TO MOTOR L (AU MOTEUR L) ». Branchez le fil blanc du ventilateur au fil blanc du récepteur portant la mention « TO MOTOR N (AU MOTEUR N) ». Branchez le fil bleu du ventilateur au fil bleu du récepteur. Consolidez les branchements des fils à l'aide des capuchons de connexion en plastique fournis. (Fig. 10)

Étape 2. Connexions électriques du récepteur aux fils d'alimentation de la maison : Branchez le fil noir (sous tension) du plafond au fil noir du récepteur portant la mention « AC IN L (C.A. dans L) ». Branchez le fil blanc (neutre) du plafond au fil blanc du récepteur marqué « AC in N (C.A. dans N) ». Consolidez les connexions électriques avec les capuchons de connexion en plastique fournis. (Fig. 10)

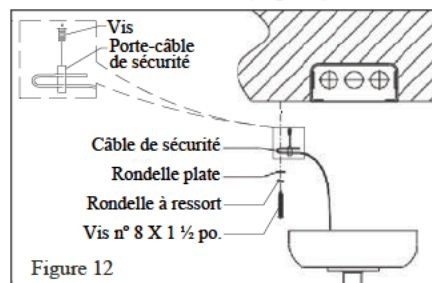
Étape 3. Si votre boîte de sortie de courant a un fil de mise à la terre (vert ou en cuivre nu), connectez-le aux fils de mise à la terre du ventilateur; sinon, connectez le fil de mise à la terre du support de suspension au support de suspension. Consolidez les branchements à l'aide des capuchons de connexion en plastique fournis. Après avoir branché les fils, séparez-les de façon à ce que les fils vert et blanc soient d'un côté de la boîte de sortie de courant et que les fils noir et bleu soient de l'autre côté. Rangez soigneusement toutes les connexions électriques vers le haut à l'intérieur de la boîte de sortie de courant. (Fig. 10)



Étape 4. Une fois le branchement effectué, le récepteur est inséré dans le support de suspension de la tige de suspension. La monture s'élève pour couvrir le récepteur et le support. (Fig. 11)



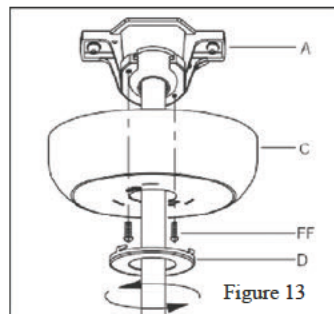
Un support de sécurité supplémentaire est fourni pour empêcher le ventilateur de tomber. Fixez solidement le câble de sécurité à la solive de plafond avec une vis et rondelle. La vis et le porte-câble de sécurité verrouillent le câble de sécurité fixé. (Fig. 12)



Installation de la monture :

Étape 1. Alignez les fentes de blocage de la monture (C) et les deux vis (FF) sur le support de suspension (A). Poussez la monture vers le haut pour engager les fentes et verrouiller le tout en place. (Fig. 13)

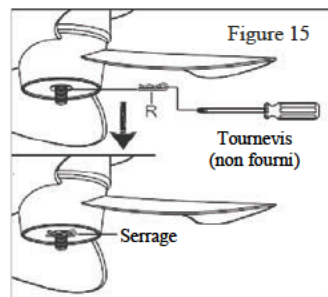
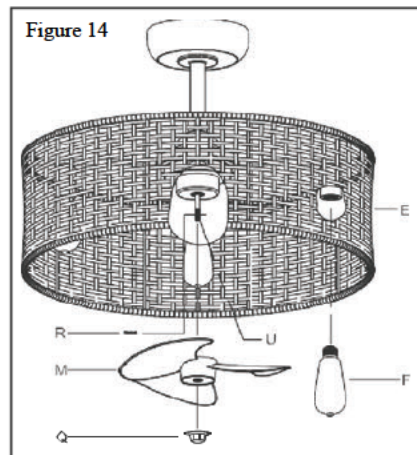
Étape 2. Tournez le couvercle en métal (D) dans le sens horaire pour le verrouiller au bas de la monture. (Fig. 13)



Installation des pales du ventilateur, de l'abat-jour en rotin et des ampoules :

Étape 1 : Installez les pales du ventilateur (M) sur l'arbre du moteur du ventilateur (U). Placez la goupille en forme de R (R) dans l'arbre du moteur (U) pour verrouiller avec un tournevis ou une pince. (Fig. 15) Filetage à main gauche du contre-écrou (Q). Placez le contre-écrou (Q) sur l'arbre du moteur (U) une fois que les pales du ventilateur (M) sont installées. (Fig. 14)

Étape 2. Vissez les ampoules (F) sur les douilles du luminaire (S). (Fig. 14)



Installation de la batterie

Installez une pile A23 de 12 V (comprise); Pour éviter d'endommager l'émetteur, retirez la pile si elle n'est pas utilisée pendant de longues périodes. (Fig. 16)

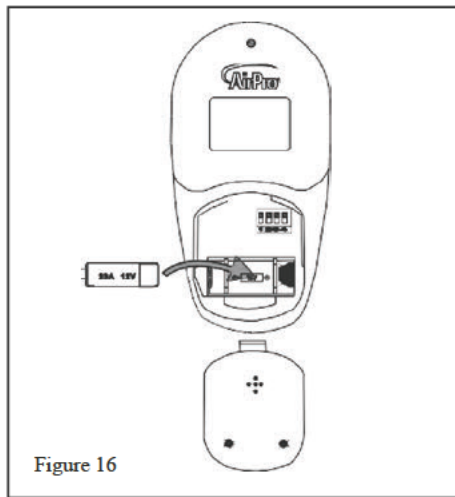


Figure 16

Rétablissez le courant du ventilateur de plafond et testez son fonctionnement correct.


1. Boutons « O, OO, OOO, » :

Ces trois boutons servent à régler la vitesse du ventilateur de la façon suivante (Fig. 17) :

- O = Vitesse faible
- OO = Vitesse moyenne
- OOO = Vitesse élevée

2. Bouton « □ »

Ce bouton éteint le ventilateur.

3. Le bouton «  » ALLUME ou ÉTEINT la lumière et contrôle également le réglage de la luminosité. Appuyez et relâchez ce bouton et la lumière S'ALLUMERA ou S'ÉTEINDRA. Appuyez et maintenez la pression sur le bouton pour régler la luminosité à l'intensité désirée. Le bouton de la lumière est doté d'un mécanisme de reprise automatique et conservera la même luminosité que la dernière fois quand elle a été éteinte.

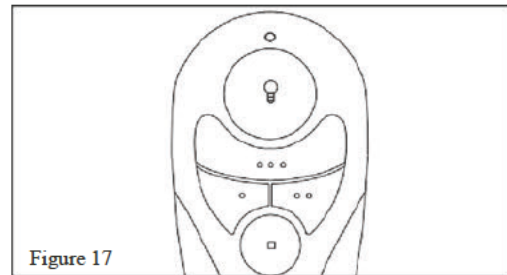


Figure 17



Installation du support mural d'émission avec une vis.

7. Utilisation de l'émetteur

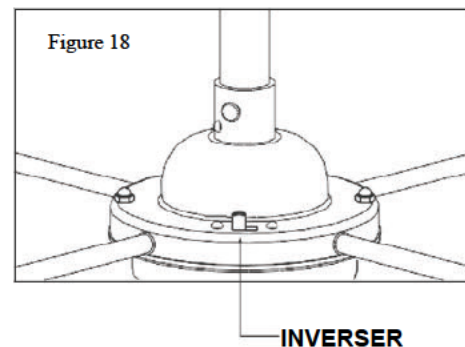
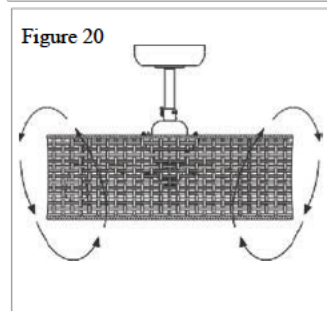
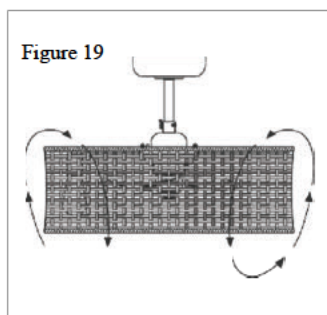
Le sélecteur d'inversion est situé sur le dessus du boîtier du moteur. Faites glisser le sélecteur vers la gauche pour un fonctionnement en temps chaud. Faites glisser le sélecteur vers la droite pour un fonctionnement en temps froid. (Fig. 18)

REMARQUE : Attendez que le ventilateur se soit immobilisé avant de changer le réglage du sélecteur.

Les réglages de vitesse pour les temps chauds ou froids dépendent de facteurs tels que la taille de la pièce, la hauteur du plafond, le nombre de ventilateurs, etc.

Par temps chaud : (vers l'avant) Une circulation d'air vers le bas crée un effet refroidissant, comme illustré à la Figure 19. Ce qui vous permet d'utiliser un réglage de climatisation plus élevé sans nuire à votre confort.

Par temps froid : (sens inverse) Une circulation d'air vers le haut pousse l'air chaud du plafond vers le bas, comme illustré à la Figure 20. Ce qui permet d'utiliser un réglage de chauffage plus bas sans nuire à votre confort.



Voici quelques suggestions pour vous aider à entretenir votre ventilateur.

1. Le mouvement naturel du ventilateur peut provoquer le desserrement de quelques branchements. Vérifiez les raccords de support, les supports et les fixations des pales deux fois par an. Vérifiez qu'ils sont solidement fixés. (Il n'est pas nécessaire d'enlever le ventilateur du plafond).

2. Nettoyez votre ventilateur régulièrement pour préserver son aspect neuf au fil des années. Utilisez uniquement une brosse douce ou un linge non pelucheux afin d'éviter d'égratigner le fini. Le placage est scellé avec de la laque afin de minimiser la décoloration et le ternissement. N'utilisez pas d'eau pour le nettoyage. Vous pourriez ainsi endommager le moteur et possiblement causer un choc électrique.

3. Masquez les petites égratignures avec un peu de cirage.

4. Il n'est pas nécessaire de lubrifier le ventilateur. Le moteur est pourvu de roulements lubrifiés de façon permanente.

5. Ce ventilateur est vendu avec une pale et une grille de protection frontale préassemblées pour vous faciliter l'installation. Assurez-vous que toutes les vis sont bien serrées.

6. Utilisez un chiffon ou plumeau non pelucheux légèrement humide pour enlever la poussière sur les pales.

IMPORTANT

**S'ASSURER QUE L'ALIMENTATION
EST COUPÉE AU PANNEAU
ÉLECTRIQUE AVANT DE TENTER DE
FAIRE UNE RÉPARATION. SE
REPORTER À LA SECTION
« BRANCHEMENTS ÉLECTRIQUES ».**

9. Entretien du ventilateur

Problème

Le ventilateur ne démarre pas.

Solution

1. Vérifiez les fusibles ou disjoncteurs.
2. Vérifiez les connexions des fils de ligne au ventilateur et les connexions dans le boîtier de l'interrupteur.
ATTENTION : Assurez-vous que l'alimentation principale est coupée.
3. Vérifiez que les commutateurs DIP de l'émetteur et du récepteur sont réglés sur la même fréquence.
4. Vérifiez la pile dans l'émetteur.

Le ventilateur fait du bruit.

1. Assurez-vous que toutes les vis du boîtier du moteur sont bien serrées.
2. Assurez-vous que les capuchons de connexion ne s'entrechoquent pas ou ne se battent pas contre la paroi intérieure du boîtier de l'interrupteur.
ATTENTION : Assurez-vous que l'alimentation principale est coupée.
3. Une période de « rodage » de 24 heures peut s'avérer nécessaire. La plupart des bruits d'un ventilateur neuf disparaissent au cours de cette période.
4. Veillez également à ce que l'ampoule soit bien vissée.
5. Certains moteurs de ventilateur sont sensibles aux signaux provenant de commandes de vitesses à semi-conducteurs. Si vous avez installé ce type de commande, sélectionnez et installez un autre type de commande.
6. Assurez-vous que le haut de la monture est légèrement éloigné du plafond. La monture ne devrait pas toucher le plafond.

Mauvais fonctionnement de la télécommande.

1. Ne connectez pas le ventilateur à une(des) commande(s) murale(s) de vitesse variable.
2. Veillez à ce que les commutateurs DIP soient réglés correctement.

Dépannage 10.

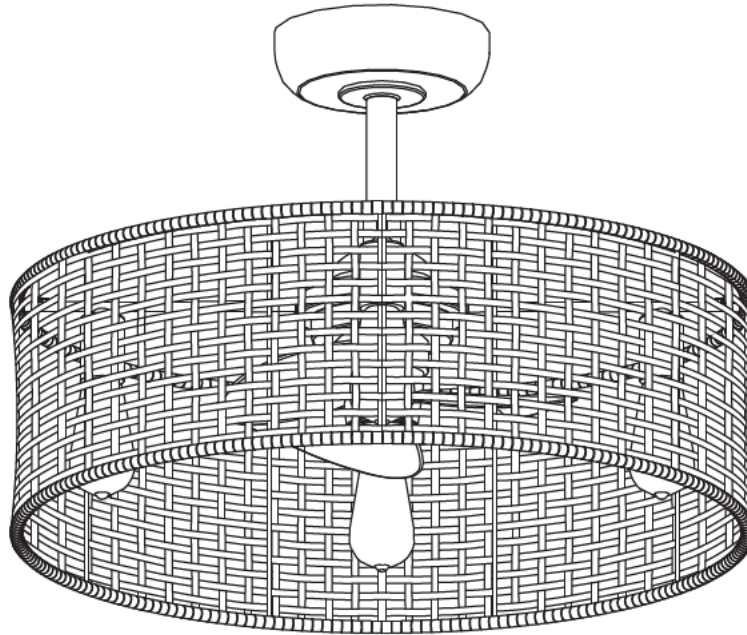
Taille	Vitesse	Volts	Consommation électrique du ventilateur (sans éclairage) en WATTS	Débit d'air en PI ³ PAR MIN	Rendement énergétique du débit d'air (plus élevé est préférable) PI ³ PAR MIN/WATT	Poids net	Poids brut	Pieds cubes
35,56 cm	Faible	120	21,75	888,10	40,92	5,85 kg (12,89 lb)	8,5 kg (18,74 lb)	6,580 pi. cubes
	Moyenne		29,41	1109,82	37,75			
	Élevée		37,10	1331,40	35,88			

Ces mesures sont approximatives. Elles ne tiennent pas compte de l'ampérage et de la puissance du luminaire.

© 2018 Progress Lighting, Inc.
701 Millennium Blvd.,
Greenville, SC 29607
Tous droits réservés

11. Caractéristiques techniques

- Manual de instalación de ventilador de techo



Garantía limitada de por vida

Los motores de ventilador Progress Lighting se garantizan al comprador original como libres de defectos eléctricos y/o mecánicos por el tiempo en que estén en su posesión como dueño. Los interruptores activados por cadena, los interruptores de reversa, los capacitores y los acabados de metal se garantizan como libres de defectos materiales o de fabricación por el plazo de 1 año desde la fecha de compra. Las deformaciones de las aspas de madera o plástico no están cubiertas por esta garantía. Tampoco lo están la corrosión y/o deterioro del acabado de ventiladores instalados a menos de diez millas de cualquier costa del mar. Pudieran aplicarse garantías extendidas para productos que califiquen.

Los ventiladores de techo Progress Lighting con fuentes de luz LED incorporadas, si han sido bien instalados y bajo condiciones normales de uso, se garantizan como libres de defectos materiales y de fabricación que puedan causar un fallo en el funcionamiento según las especificaciones de dichas fuentes de luz durante un periodo de (i) cinco (5) años a partir de la fecha de compra para los módulos de luz LED y componentes eléctricos de ventiladores usados en residencias unifamiliares y durante (ii) tres (3) años para ventiladores usados en residencias multifamiliares o en instalaciones comerciales. Las bombillas LED suministradas por Progress Lighting sólo poseen la garantía del fabricante. Las bombillas que no sean LED no tienen garantía.

Con prueba de la compra, el comprador original puede devolver el ventilador defectuoso, para su reposición, al lugar donde lo compró, dentro de los 30 días siguientes a la compra. Pasados 30 días, el comprador original TIENE que contactar a Progress Lighting llamando al (864) 678-1000 para reparación o reposición, según determine Progress Lighting a su entera discreción, y este será el único y exclusivo remedio del comprador.

Se excluyen cargos por mano de obra y envío. Esta garantía no cubre ningún costo ni cargo asociado a la mano de obra (incluyendo, pero sin limitarse a, los cargos del electricista) que se requiera para instalar, retirar o reponer un ventilador o cualquiera de sus partes.

Esta garantía no cubre ninguna pérdida o daño resultante de (i) desgaste normal o alteración, mal uso, abuso o negligencia, o (ii) instalación, operación, reparación o mantenimiento incorrectos por el comprador original o un tercero, incluso sin limitación del suministro de tensión o sobrecarga de alimentación, uso de piezas o accesorios inadecuados, reparación no autorizada (realizada o intentada) o falta de mantenimiento al ventilador.

LAS GARANTÍAS ANTERIORES ESTABLECEN LA OBLIGACIÓN DE GARANTÍA TOTAL DE PROGRESS LIGHTING Y EL ÚNICO Y EXCLUSIVO REMEDIO DEL COMPRADOR ORIGINAL RELACIONADO CON DICHS PRODUCTOS. PROGRESS LIGHTING NO ES RESPONSABLE POR NINGÚN DAÑO (SEAN INDIRECTOS, ESPECIALES, INCIDENTALES O CONSECUENTES) DEBIDO A FALLAS DEL PRODUCTO, YA SEAN DERIVADAS DE INCUMPLIMIENTO DE LA GARANTÍA O DEL CONTRATO, O DE CUALQUIER OTRA CAUSA. ESTA GARANTÍA SE OTORGA EN LUGAR DE TODAS LAS DEMÁS, YA SEAN EXPRESAS O IMPLÍCITAS, INCLUIDAS LAS GARANTÍAS DE COMERCIABILIDAD, IDONEIDAD PARA UN PROPÓSITO EN PARTICULAR O NO INFRACCIÓN.

Algunos estados no permiten limitaciones en la duración de una garantía implícita ni exclusión o limitaciones de daños incidentales o consecuentes, así que las exclusiones o limitaciones anteriores pudieran no aplicarse a su caso. Esta garantía le otorga derechos específicos y es posible que usted tenga otros, que varían de estado a estado.

Normas de seguridad	1.
Cómo desempacar el ventilador.....	2.
Cómo instalar el ventilador.....	3.
Cómo operar el transmisor.....	7.
Cuidado del ventilador.....	9.
Solución de problemas.....	10.
Especificaciones.....	11.

Tabla de contenido

1. Para disminuir el riesgo de descarga eléctrica, antes de comenzar la instalación asegúrate de que la electricidad ha sido cortada en el cortacircuitos o en la caja de fusibles.
2. Todo el cableado tiene que hacerse de acuerdo con el Código Nacional de Electricidad y los códigos locales correspondientes. La instalación eléctrica debe hacerla un electricista calificado con licencia.
3. ADVERTENCIA: Para reducir el riesgo de descarga eléctrica e incendio, no usar este ventilador con ningún dispositivo de estado sólido para control de velocidad.
4. ADVERTENCIA: Para reducir el riesgo de incendio, descarga eléctrica o lesión personal, montar en la caja eléctrica marcada como "Aceptable para soporte de ventilador de 15.9 kg (35 lb) o menos" y usa los tornillos incluidos con la caja eléctrica. Casi todas las cajas eléctricas que suelen usarse para sostener lámparas no son aceptables para sostener ventiladores y pudiera ser necesario reemplazarlas. Debido a la complejidad de la instalación de este ventilador se recomienda enfáticamente un electricista calificado con licencia.
8. Para evitar lesiones personales o daños al ventilador y otros artículos, ten cuidado al limpiarlo o al trabajar cerca de él.
9. No usar agua ni detergentes para limpiar el ventilador o las aspas. Para limpiar, casi siempre será adecuado un paño seco o ligeramente humedecido con que quitar el polvo.
10. Después de concluir las conexiones eléctricas, debes voltear los conductores empalmados hacia arriba y meterlos con cuidado en la caja eléctrica. Los cables deben estar separados con el cable a tierra y el conductor a tierra del equipo a un lado de la caja eléctrica.
11. Los diagramas eléctricos son solo para referencia. Los kits de luces no empaquetados con el ventilador tienen que estar aprobados por UL y marcados como apropiados para usar con el modelo de ventilador que estás instalando. Los interruptores tienen que estar clasificados de uso general por UL. Consultar las instrucciones que vienen con el paquete de los kits de luces.

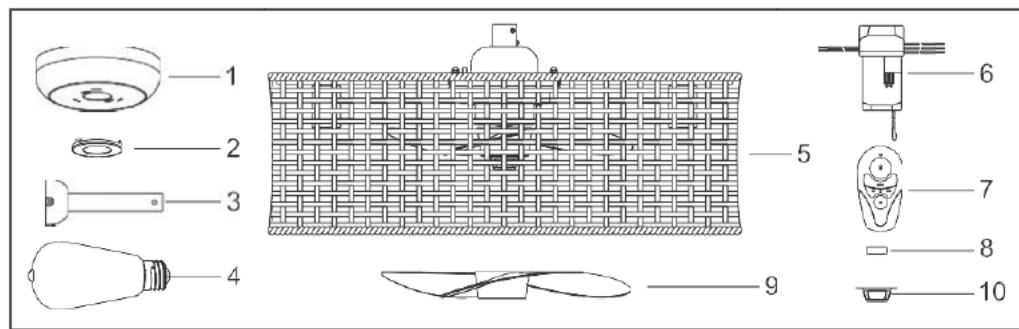
ADVERTENCIA
PARA REDUCIR EL RIESGO DE INCENDIO, DESCARGA ELÉCTRICA
O LESIÓN PERSONAL, MONTAR EL VENTILADOR EN CAJA ELÉCTRICA
MARCADA COMO ACEPTABLE PARA SOPORTARLO.

5. La caja eléctrica y la estructura de soporte tienen que estar montadas con seguridad y ser capaces de sostener fiablemente 35 lb (15.9 kg) o menos. Usar sólo cajas eléctricas listas por UL y marcadas PARA SOPORTAR VENTILADOR.
6. El ventilador tiene que montarse con espacio libre mínimo de 10 pies (3.05 m) desde la parte inferior del protector del ventilador hasta el piso.
7. Evita colocar objetos en la trayectoria de las aspas.

ADVERTENCIA
PARA REDUCIR EL RIESGO DE LESIÓN PERSONAL, NO DOBLES LOS BRAZOS
DE LAS ASPAS (TAMBIÉN REFERIDOS COMO SOPORTES) DURANTE EL
ENSAMBLAJE NI DESPUÉS DE LA INSTALACIÓN. NO COLOCAR OBJETOS
EN MEDIO DE LA TRAYECTORIA DE LAS ASPAS.

NOTA
¡LEER Y GUARDAR ESTAS INSTRUCCIONES!

1. Normas de seguridad



Desempaca tu ventilador y revisa el contenido. Debes tener los siguientes artículos:

1. Ensamblaje de la cubierta
2. Cubierta
3. Conjunto de tubo bajante/esfera
4. Bombillas LED (4)
5. Ensamblaje de la lámpara
6. Receptor

7. Transmisor del Control Remoto
8. Batería de 12 V
9. Aspa del ventilador
10. Remate

11 Bolsa de piezas sueltas que contiene:

- a. Tuercas (6) de cable para montar herrajes

Cómo desempacar el ventilador 2.

Herramientas necesarias

Destornillador Phillips, destornillador plano, llave ajustable, escalera de tijera y cortacables.

Opciones de montaje

En ausencia de una caja de montaje listada por cUL, leer bien las siguientes instrucciones. Desconecta la energía retirando los fusibles o apagando los cortacircuitos.

Asegura la caja eléctrica directamente a la estructura de la edificación. Usa sujetadores y materiales de construcción apropiados. La caja eléctrica y su soporte tienen que sostener completamente el peso en movimiento del ventilador (al menos 35 lb = 15.9 kg). No uses cajas eléctricas de plástico.

ADVERTENCIA
PARA REDUCIR EL RIESGO DE INCENDIO, DESCARGA ELÉCTRICA O LESIONES PERSONALES, MONTA EL VENTILADOR SÓLO SOBRE UNA CAJA ELÉCTRICA MARCADA COMO APROBADA COMO SOPORTE DE VENTILADOR Y USA LOS TORNILLOS DE MONTAJE QUE VIENEN CON LA MISMA. LAS CAJAS ELÉCTRICAS UTILIZADAS COMUNMENTE PARA EL SOPORTE DE ARTÍCULOS DE ILUMINACIÓN PUEDEN NO SERVIR COMO SOPORTE DE VENTILADOR, Y TAL VEZ DEBAN REEMPLAZARSE. EN CASO DE DUDA, CONSULTA A UN ELECTRICISTA CALIFICADO.

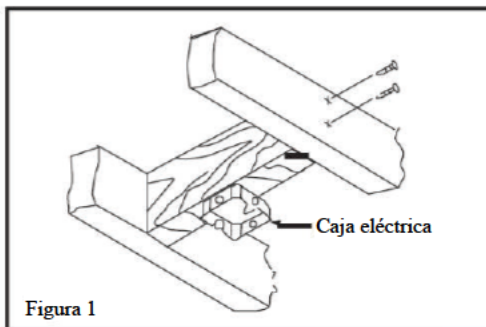


Figura 1

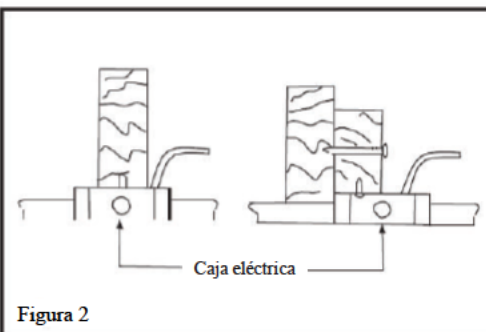


Figura 2

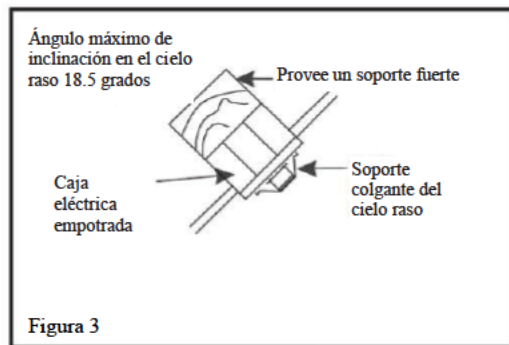


Figura 3

Nota: Tal vez necesites un tubo bajante más largo para mantener la altura mínima adecuada al instalar el ventilador en un techo inclinado.

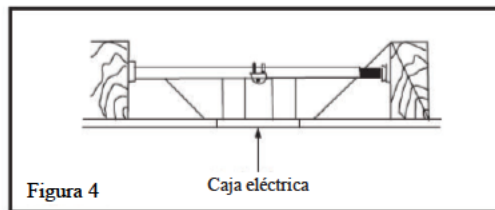


Figura 4

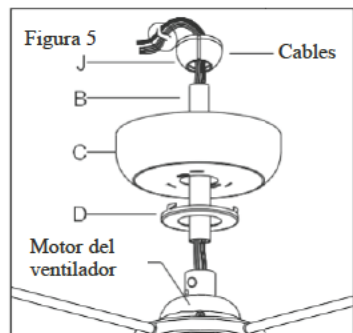
Para colgar el ventilador donde haya una lámpara, pero ninguna viga de techo, tal vez necesites una barra colgante como se muestra en la Figura 4.

3. Cómo instalar el ventilador

Cómo colgar el ventilador

RECUERDA desconectar la corriente. Seguir estos pasos para colgar correctamente el ventilador:

Paso 1. Enrutar los cables que salen por la parte superior del motor del ventilador a través de la tapa (D) y luego a través de la cubierta (C) y luego por el ensamblado del tubo bajante (B) y la esfera colgante (J). (Figura 5)



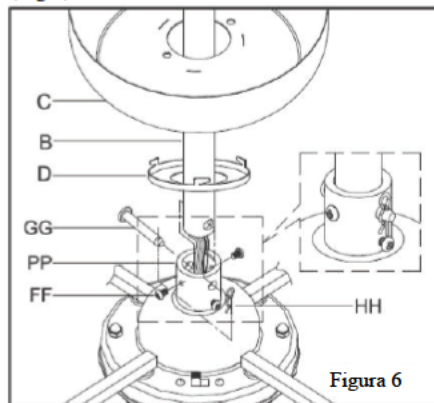
Paso 2. Insertar el tubo bajante (B) a través del protector metálico (D) y la cubierta (C). (Fig. 6)

Paso 3. Insertar el extremo del tubo bajante (B) a través del conector (PP) y alinear los dos orificios en el tubo bajante (B) y el conector (PP). (Fig.6)

Paso 4. Insertar una clavija de alimentación (GG) a través de los dos orificios en el tubo bajante (B) y el conector (PP). (Fig. 6)

Paso 5. Insertar el pasador de la pieza en forma de R (HH) a través del orificio cerca del extremo del pasador de enchufe (GG) hasta que encaje en su posición. (Fig.6)

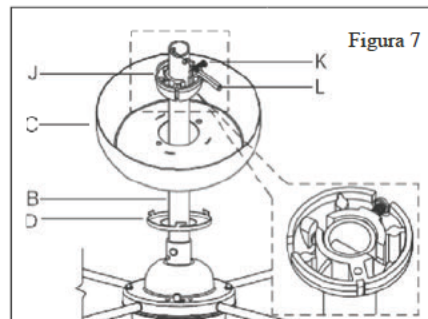
Paso 6. Colocar los tornillos (FF) en el conector (PP) y asegurar que estén apretados. Los tornillos (FF) deben estar apretados contra el tubo bajante (B). (Fig.6)



Paso 7. Insertar la esfera colgante (J) a través del tubo bajante (B) y enseguida una clavija de alimentación (L) a través del orificio en el tubo (B). (Fig. 7)

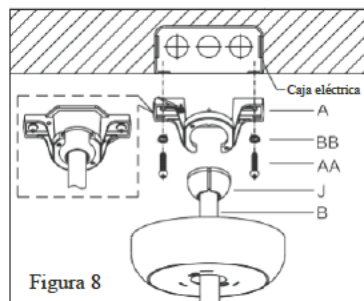
Paso 8. Insertar la clavija de alimentación en la ranura expuesta de la esfera colgante (J) hasta que encaje en su posición de bloqueo. (Fig. 6)

Paso 9. Utilizar el tornillo (K) para fijar la esfera colgante (J) en el tubo bajante (B). (Fig. 7)



Paso 10. Instalar el soporte colgante (A) en la caja eléctrica usando la arandela (BB) y tornillos (AA) incluidos con la caja eléctrica. (Fig. 8)

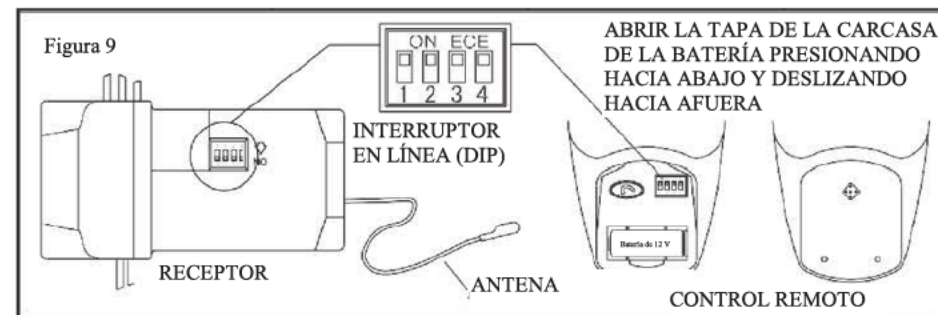
Paso 11. Poner la esfera colgante (J) a través del lado abierto del soporte del montaje en el cielo raso (A) y seguidamente insertarla en la ranura expuesta del soporte (A). (Fig. 8)



Cómo hacer las conexiones eléctricas

ADVERTENCIA: Para evitar una posible descarga eléctrica, asegurar que la electricidad esté cortada en la caja de fusibles principal antes de cablear.

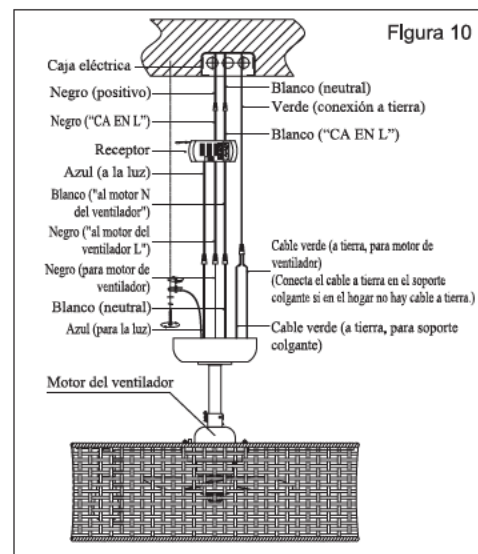
INTERRUPTOR DE CÓDIGO: Los códigos se configuran presionando los interruptores DIP hacia arriba o hacia abajo. Es obligatorio que el código utilizado tanto para el transmisor como para el receptor sea exactamente el mismo, ya que de otra manera, el control remoto no funcionará. Ten en cuenta que el interruptor de código te permitirá operar un segundo control remoto de forma independiente. Por ejemplo, si tienes dos ventiladores de techo con 2 unidades de control remoto, configura 2 códigos diferentes para cada conjunto de transmisores/receptores. Esto significa que puedes operar cada ventilador de techo de forma independiente. El control remoto está listo para usar tras instalarse la batería. (Fig. 9)



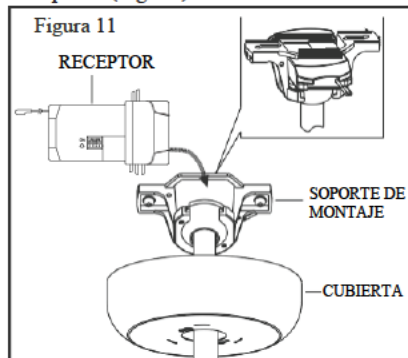
Paso 1. Conexiones eléctricas del motor del ventilador al receptor: Conectar el cable negro del motor del ventilador al cable negro marcado "AL MOTOR L". Conectar el cable blanco del motor del ventilador al cable blanco marcado "AL MOTOR N" del receptor. Conectar el cable azul de la luz al cable azul del receptor. Asegurar las conexiones de cable con las tuercas plásticas correspondientes (incluidas). (Fig. 10)

Paso 2. Conexiones eléctricas del receptor a los cables de alimentación del hogar: Conectar el cable negro (vivo) desde el cielo raso al cable negro marcado "AC en L" del receptor. Conectar el cable blanco (neutral) desde el cielo raso al cable blanco marcado "AC en N" del receptor. Asegurar las conexiones de cable con las tuercas plásticas correspondientes (incluidas). (Fig. 10)

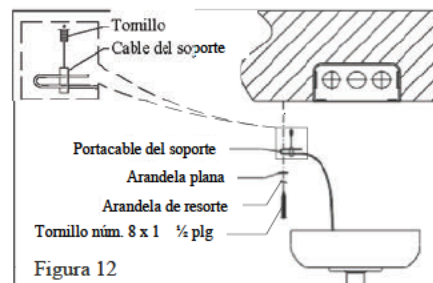
Paso 3. Si tu caja eléctrica tiene un cable a tierra (verde o de cobre pelado), conéctalo a los cables a tierra del ventilador; de lo contrario, conecta el cable a tierra del soporte colgante al soporte de montaje. Asegurar las conexiones de cable con las tuercas plásticas correspondientes (incluidas). Después de conectar los cables, separarlos de manera que el verde y el blanco queden de un lado de la caja eléctrica, y el negro y el azul, del otro. Meter cuidadosamente las conexiones de cable dentro de la caja eléctrica. (Fig. 10)



Paso 4. Una vez hecha la conexión, el receptor se inserta en el soporte colgante del tubo bajante. La cubierta viene para cubrir hasta el receptor y el soporte. (Fig. 11)



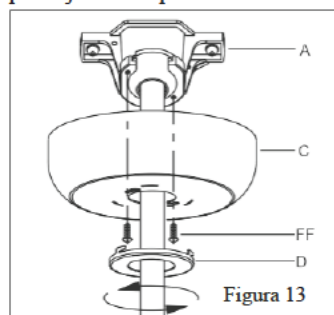
Se incluye un soporte de seguridad adicional para prevenir que el ventilador caiga. Asegurar el cable del soporte a la viga del cielo raso con tornillo y arandela. El tornillo y portacable del soporte fijan la sujeción del cable de soporte. (Fig. 12).



Cómo instalar la cubierta:

Paso 1. Alinea las ranuras de cierre de la cubierta (C) con los dos tornillos (FF) del soporte de montaje (A). Empuja hacia arriba para enganchar las ranuras y asegurarlas en su lugar. (Fig. 13)

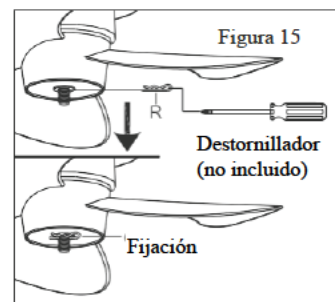
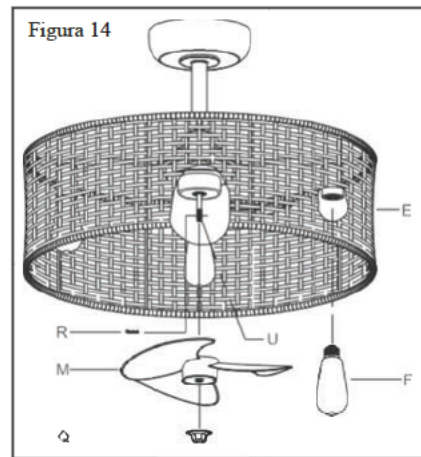
Paso 2. Girar el protector metálico (D) hacia la derecha para fijarlo en la parte inferior de la cubierta. (Fig. 13)



Cómo instalar las aspas del ventilador, la pantalla de ratán y las bombillas:

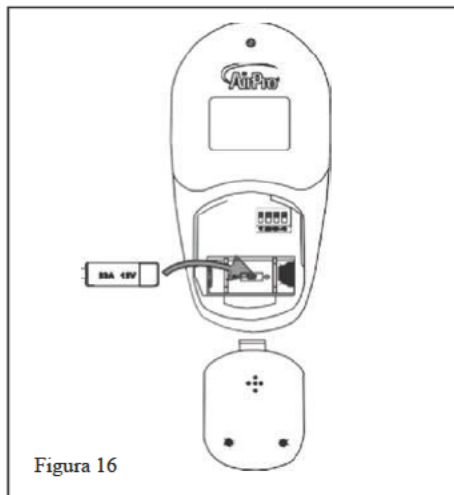
Paso 1: Paso 1: Instalar las aspas del ventilador (M) en el eje del motor del ventilador (U), colocar el pasador en forma de R (R) en el eje del motor (U) para fijarlo con un destornillador o alicates. (Fig. 15) Enroscar hacia la izquierda la contratuerca (Q). Instalar la contratuerca (Q) en el eje del motor (U) después de instalar las aspas del ventilador (M). (Fig. 14)

Paso 2. Enroscar las bombillas (F) en los portabombillas de la lámpara (S). (Fig. 14)



Cómo instalar la batería

Instala la batería 12V A23 (incluida). Para prevenir daños al transmisor, saca la batería si no va a usarse por periodos largos).(Fig. 16)



Restablece la electricidad del ventilador de techo y prueba que funcione adecuadamente.

1. Botones "○,○○,○○○":

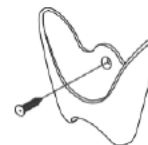
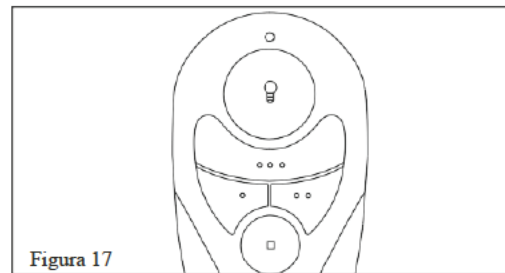
Estos tres botones se usan para configurar la velocidad del ventilador (Fig. 17) así:

- = Velocidad baja
- = Velocidad media
- = Velocidad alta

2. Botón "□ ":

Este botón apaga el ventilador.

3. El botón "💡" enciende o apaga la luz y también controla la configuración de intensidad. Presiona y suelta el botón para encender o apagar la luz. Mantén presionado el botón para configurar la intensidad deseada. La tecla de la luz tiene una función de auto configuración, permanecerá en la misma intensidad de luz que la configurada la última vez que apagaste la luz.



Instalación del soporte de montaje de pared del transmisor con un tornillo.

7. Cómo Operar tu Transmisor

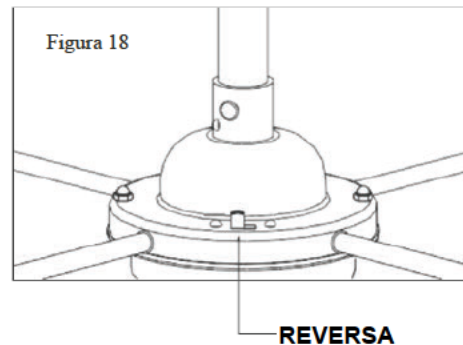
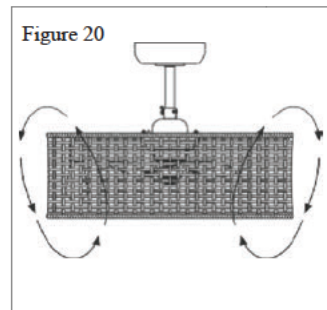
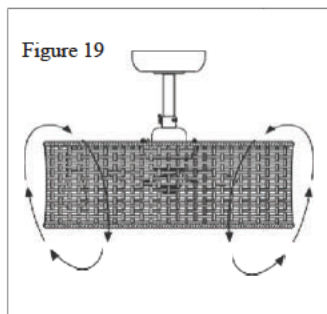
El interruptor de reversa está ubicado en la parte superior de la carcasa del motor. Desliza el interruptor hacia a la izquierda para funcionamiento en clima cálido. Desliza el interruptor hacia a la derecha para funcionamiento en clima fresco. (Fig. 18)

NOTA: Hay que esperar a que el ventilador se detenga antes de cambiar la configuración del conmutador deslizable.

Las configuraciones de velocidad para clima cálido o fresco dependen de factores como tamaño de la habitación, altura del cielo raso, número de ventiladores y otros.

Clima cálido - (Hacia adelante) Un flujo de aire hacia abajo surte un efecto refrescante, como se muestra en la Figura 19. Esto permite fijar tu aire acondicionado en una configuración más alta sin afectar tu comodidad.

Clima fresco - (En reversa) Un flujo de aire hacia arriba desplaza el aire cálido del área del cielo raso, como se muestra en la Figura 20. Esto te permite fijar la unidad de calefacción en una configuración más baja sin afectar tu comodidad.



A continuación se ofrecen algunas sugerencias para dar mantenimiento al ventilador.

1. Debido al movimiento natural del ventilador, algunas conexiones pueden aflojarse. Revisa dos veces al año las conexiones de soporte, los soportes y los accesorios de las aspas. Comprueba que estén seguros. (No es necesario desmontar el ventilador del techo).

2. Hay que limpiar el ventilador con frecuencia para que luzca como nuevo al paso de los años. Usa solo un cepillo suave o un paño sin pelusas para evitar rayar el acabado. El revestimiento está sellado con laca para minimizar decoloración u opacidad. No usar agua al limpiar. Esto pudiera dañar el motor o la madera, y posiblemente provocar una descarga eléctrica.

3. Cubre los rayones diminutos con una ligera aplicación de lustrador para calzado.

4. Tu ventilador no necesita lubricación. El motor tiene cojinetes lubricados permanentemente.

5. El ventilador viene con aspa y protector frontal preensamblados para facilitar la instalación. Verifica que todos los tornillos estén bien apretados y asegurados en su lugar.

6. Usar un paño sin pelusas ligeramente húmedo o un plumero para quitar el polvo de las aspas.

IMPORTANTE
ASEGURAR DE QUE LA CORRIENTE ESTÉ
CORTADA EN EL PANEL DE
ELECTRICIDAD ANTES DE INTENTAR
CUALQUIER REPARACIÓN. CONSULTAR
LA SECCIÓN “CÓMO HACER LAS
CONEXIONES ELÉCTRICAS”.

9. Cuidado del ventilador

Problema

El ventilador no arranca.

Solución

1. Verifica los fusibles o disyuntores principales y secundarios.
2. Verifica las conexiones de cables en línea al ventilador y de cables del interruptor en la caja de interruptores.
PRECAUCIÓN: Asegúrate de que esté desactivada la electricidad principal.
3. Revisa para asegurarte de que los interruptores en línea del transmisor y el receptor estén configurados en la misma frecuencia.
4. Revisa la batería del transmisor.

El ventilador hace ruido.

1. Asegúrate de que los tornillos de la carcasa del motor estén bien ajustados.
2. Asegura que las conexiones de tuerca de cable no hagan fricción unas con otras ni con la pared interior de la caja del interruptor. PRECAUCIÓN: Asegúrate de que esté desactivada la electricidad principal.
3. Deja transcurrir un período de 24 horas de “adaptación”. La mayoría de los ruidos asociados con un ventilador nuevo desaparecen en ese período.
4. Verifica asimismo que la bombilla esté bien fijada.
5. Algunos motores de ventiladores son sensibles a las señales de los controles de velocidad variable de estado sólido. Si has instalado este tipo de control, elige e instala otro tipo de control.
6. Asegúrate de que la cubierta esté a corta distancia del techo. No debe tocar el techo.

El control remoto funciona mal.

1. No conectes el ventilador con control o controles de velocidad variable montados en pared.
2. Asegúrate de que los interruptores en línea estén configurados correctamente.

Solución de problemas 10.

Tamaño	Velocidad	Voltios	Consumo De Energía (Sin Las Luces) En Vatios (W)	Flujo De Aire En Pies Cúbicos Por Minuto (CFM).	Eficiencia De Flujo De Aire (Mientras Más Alto El Número, Mejor) CFM/W	Peso neto	Peso bruto	Pies cúbicos
14 plg (35.56 cm)	Baja	120	21.75	888.10	40.92	5.85 kg (12.89 lb)	8.5 kg (18.74 lb)	6.580 pies cúbicos
	Media		29.41	1109.82	37.75			
	Alta		37.10	1331.40	35.88			

Estas medidas son aproximadas. No incluyen amperaje ni vataje consumidos por el kit de luces.

11. Especificaciones