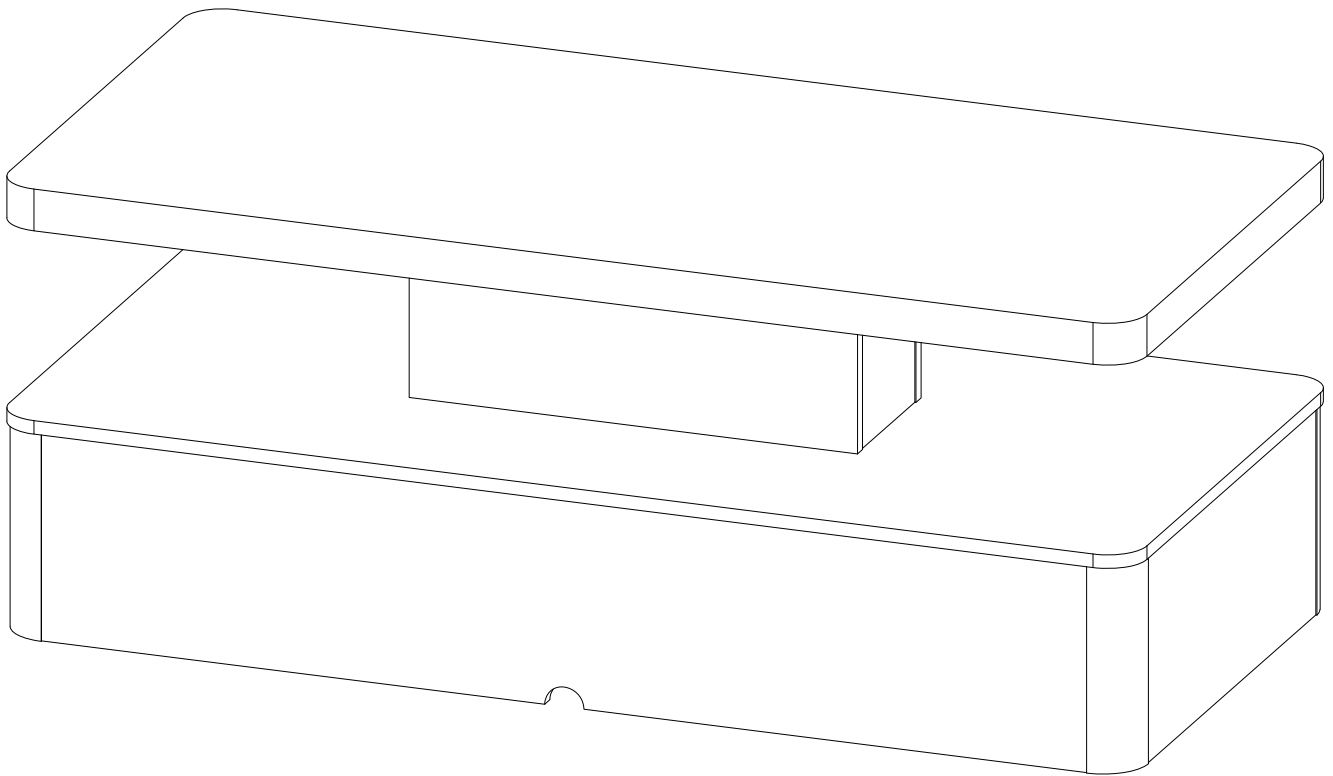
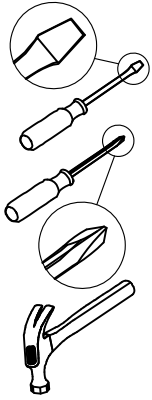


Installation Manual



As this item contains many parts, please read the installation instruction carefully before installation . Please use tools properly and carefully.

Before You Start

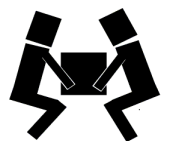
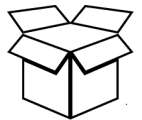


- ✓ Read through each step carefully and follow the proper order
- ✓ Separate and count all your parts and hardware
- ✓ Give yourself enough room for the assembly process
- ✓ Have the following tools: Flat Head Screwdriver, #2 Phillips Head Screwdriver and Hammer
- ✓ Caution: If using a power drill or power screwdriver for screwing, please be aware of to slow down and stop when screw is tight. Failure to do so may result in stripping the screw. (Assembly speed can be increased by using electric screwdriver)

Helpful Hints

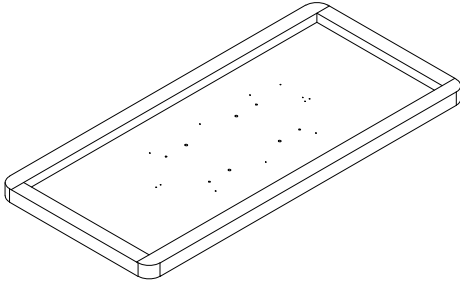
PEOPLE NEEDED FOR ASSEMBLY: 1-2

- Open your item in the area you plan to keep it to avoid excessive heavy lifting.
- Identify, sort and count the parts before attempting assembly.
- Compression dowels are lightly tapped in with a hammer.
- Slides are labeled with an **R** (right) and **L** (left) for proper placement.
- Make sure to always face the point on the top of the Cam Lock towards the outer edge.
- If there is a back panel in the package, please install it to make sure your unit is complete and sturdy.
- Please fix all the screws provided for the back panel which can enhance product stability. If it is difficult to fix it when tightening, it can be fixed with the help of a hammer and then tightened.
- Do NOT use harsh chemicals or abrasive cleaners on this item.
- Never push, pull, or drag your furniture.



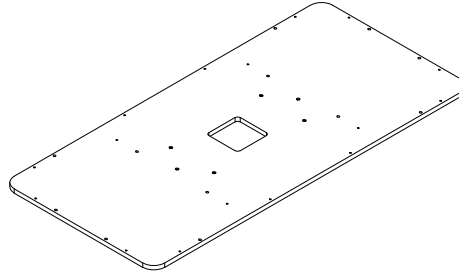
Board Identification

Not actual size



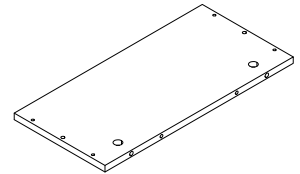
(A)

TOP
Qty:1



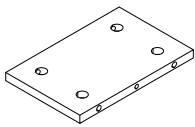
(B)

BOTTOM
Qty:1



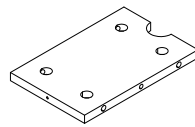
(C)

FRONT AND BACK UPPER PANEL
Qty:2



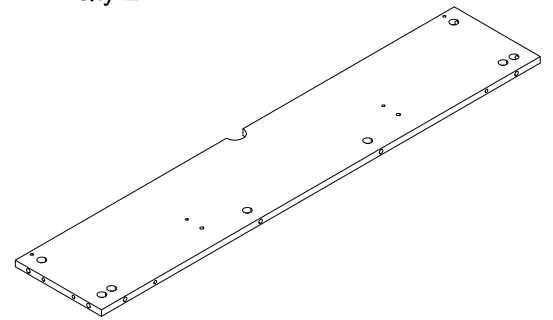
(D)

LEFT SIDE PANEL
Qty:1



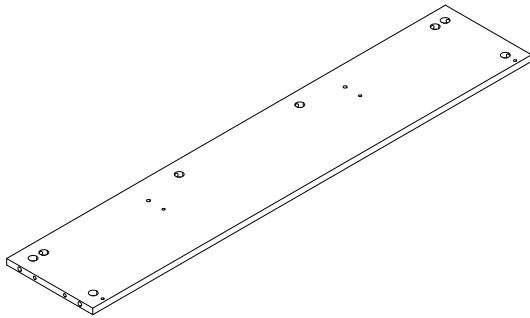
(E)

RIGHT SIDE PANEL
Qty:1



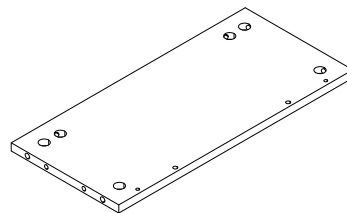
(F)

BOTTOM COVERING
Qty:1



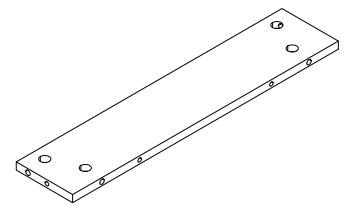
(G)

BOTTOM COVERING
Qty:1



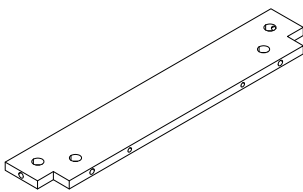
(H)

SIDE PANEL
Qty:2



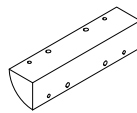
(I)

PARTITION
Qty:2



(J)

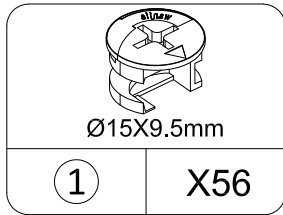
RAIL PANEL
Qty:2



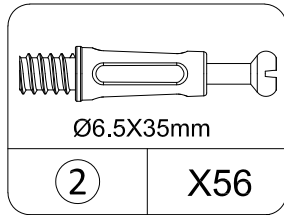
(K)

FOOT
Qty:4

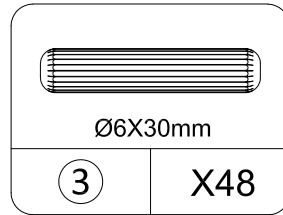
Part List



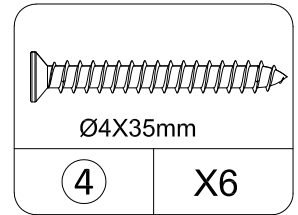
CAM LOCK
spare:2



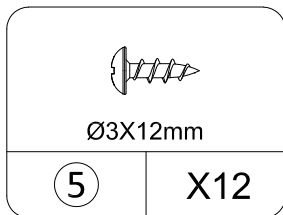
CAM BOLT
spare:2



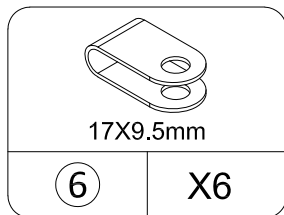
WOODEN DOWEL
spare:2



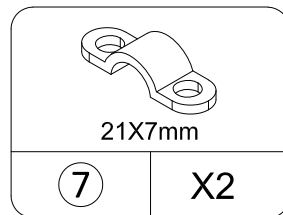
SCREW
spare:1



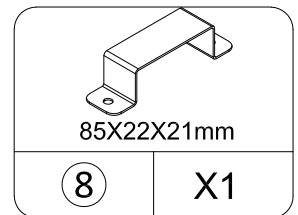
SCREW
spare:1



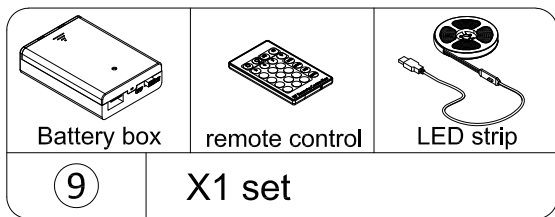
LAMP BELT BUCKLE
spare:1



LIGHT WIRE HOLDER



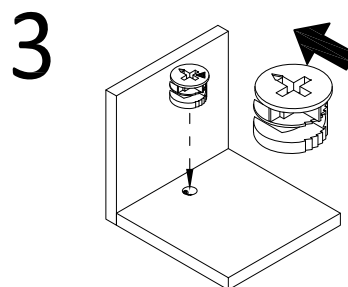
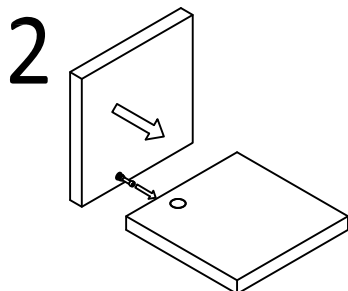
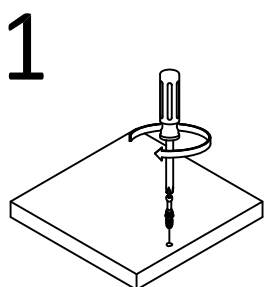
FIXED IRON PLATE



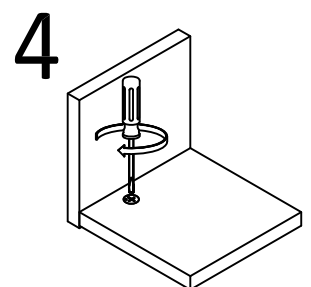
LAMP TUBE

Cam Lock Fastening System

Insert the cam bolt into the hole first, then insert the cam lock and lock it.

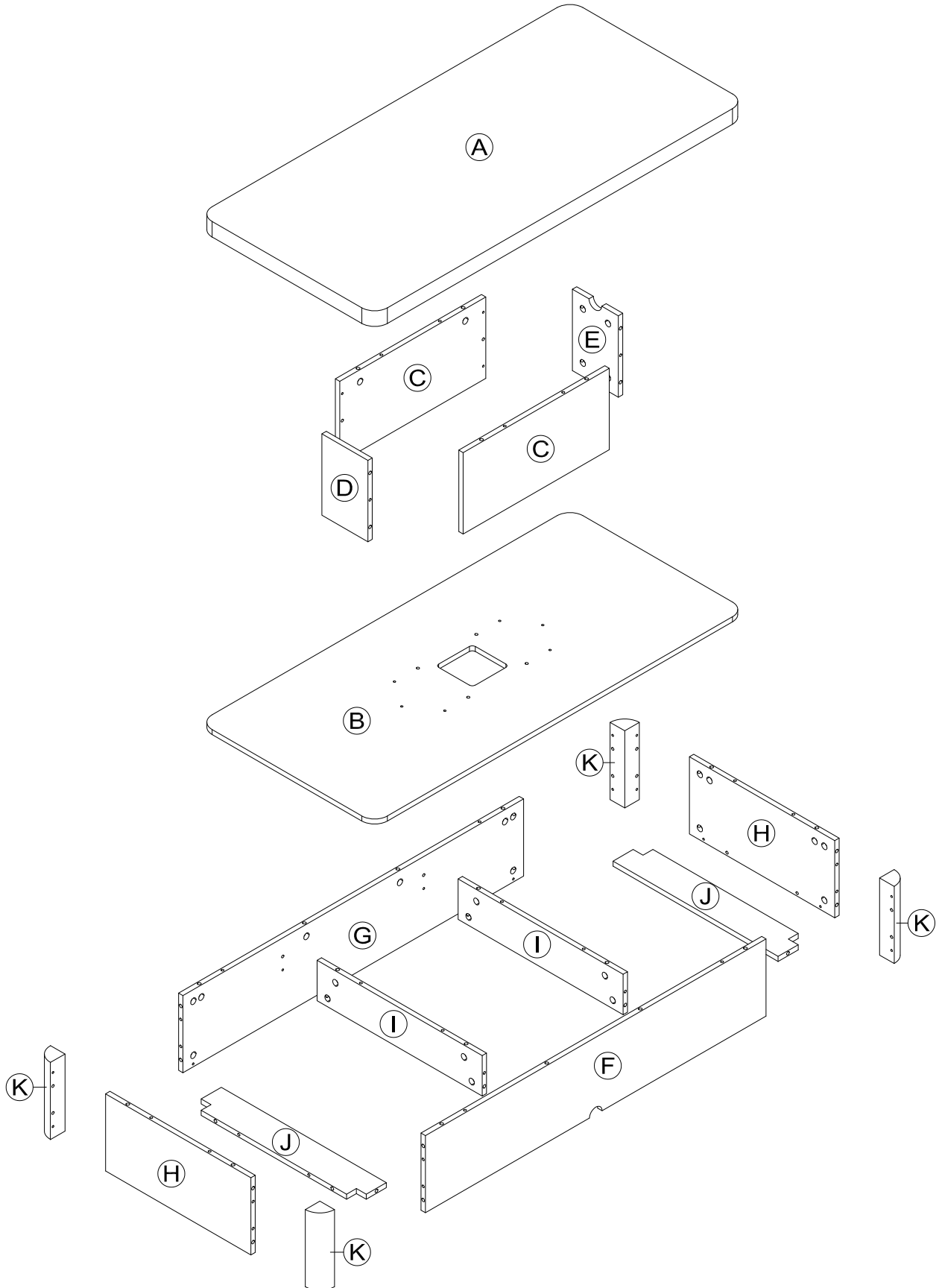


The opening must point toward the edge of the board



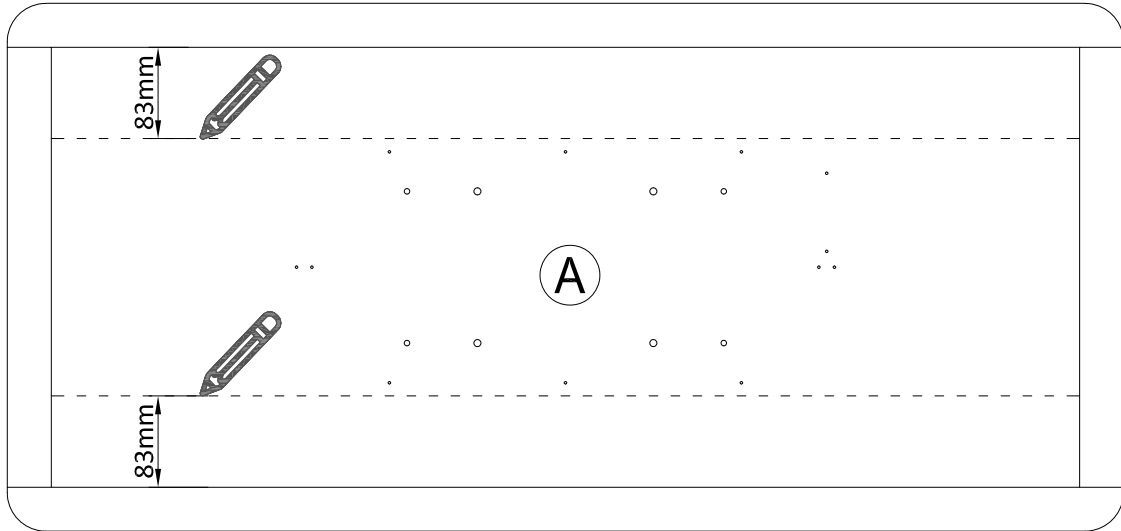
Board Identification

Not actual size

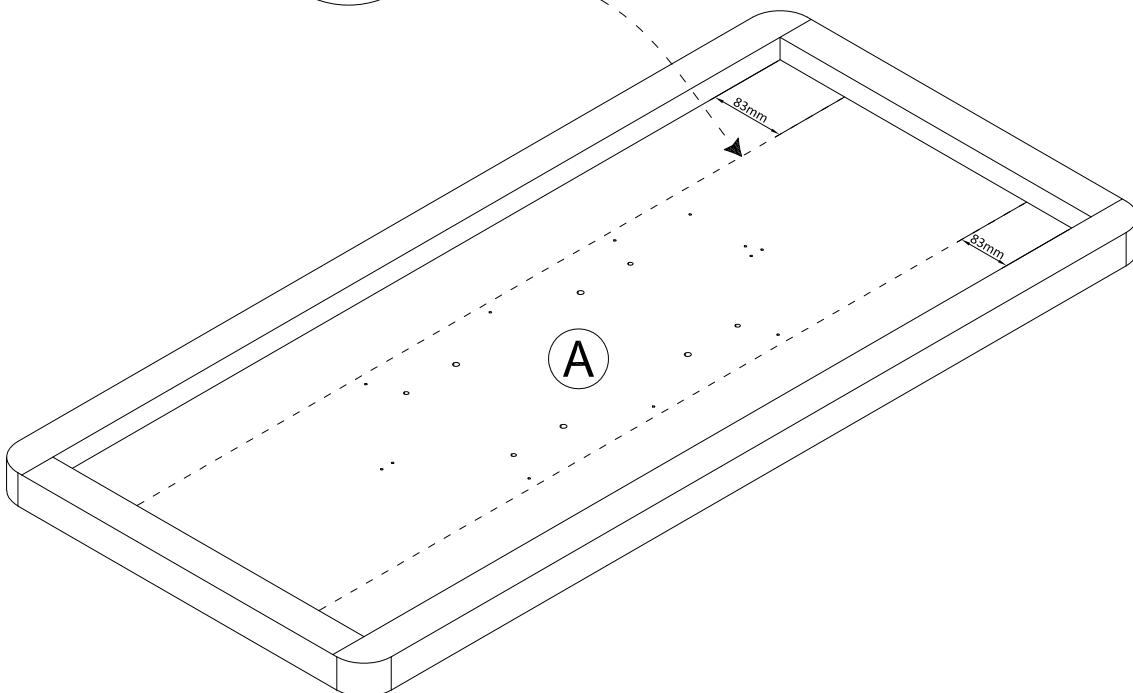


STEP 1

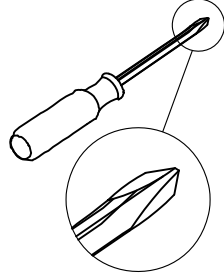
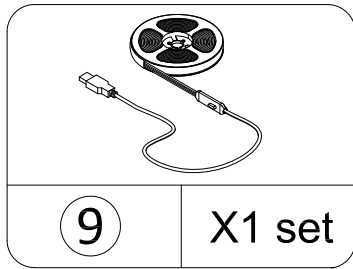
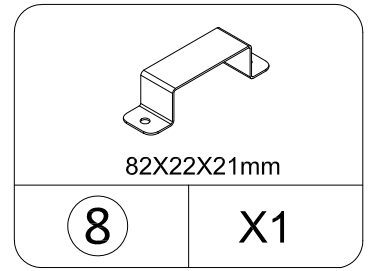
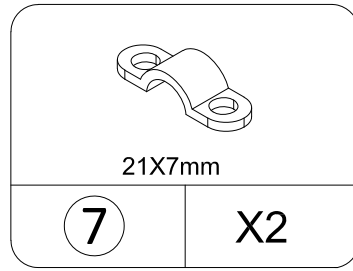
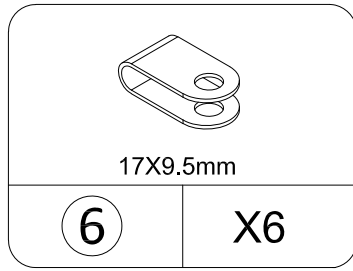
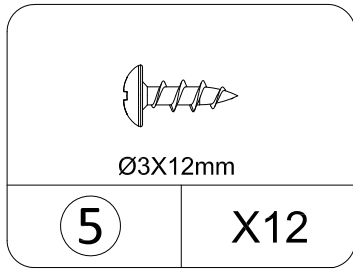
Prepare a marker and ruler. Firstly, measure the distance between the front and rear edges of the substrate with a ruler to be 83mm. Draw a line as an auxiliary line to connect the light strip.



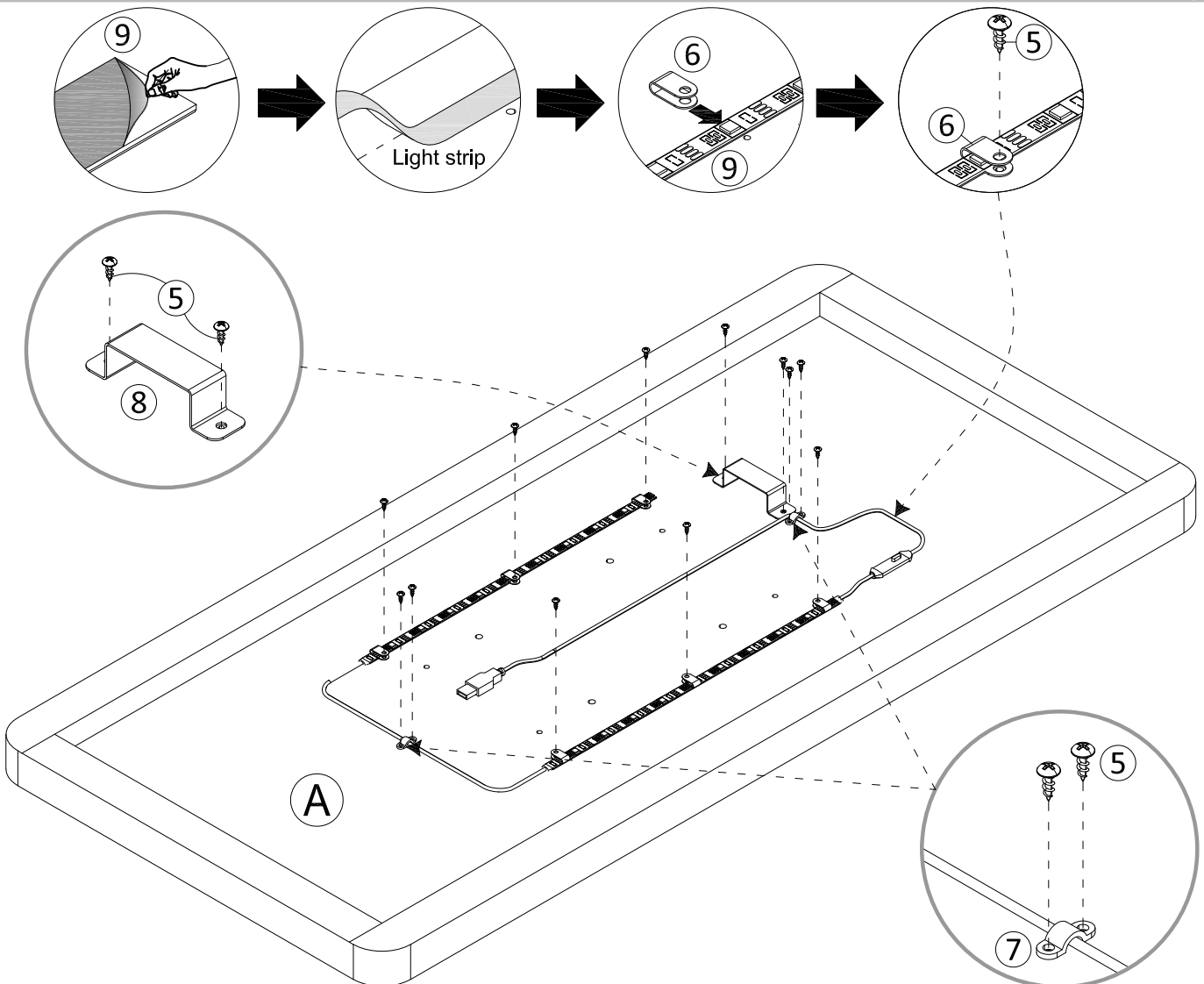
Measure and draw auxiliary lines



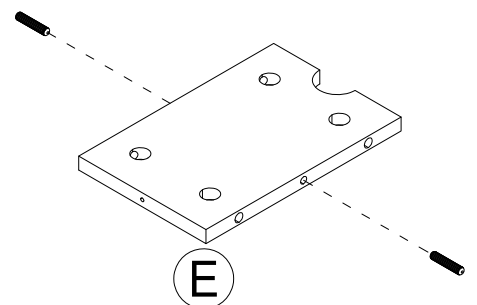
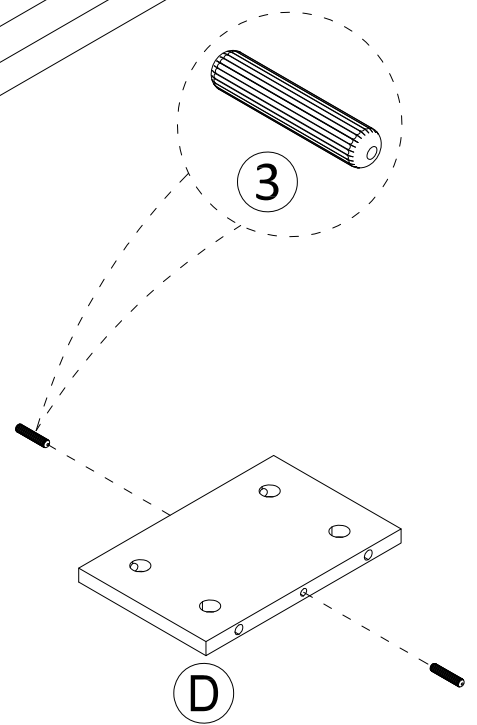
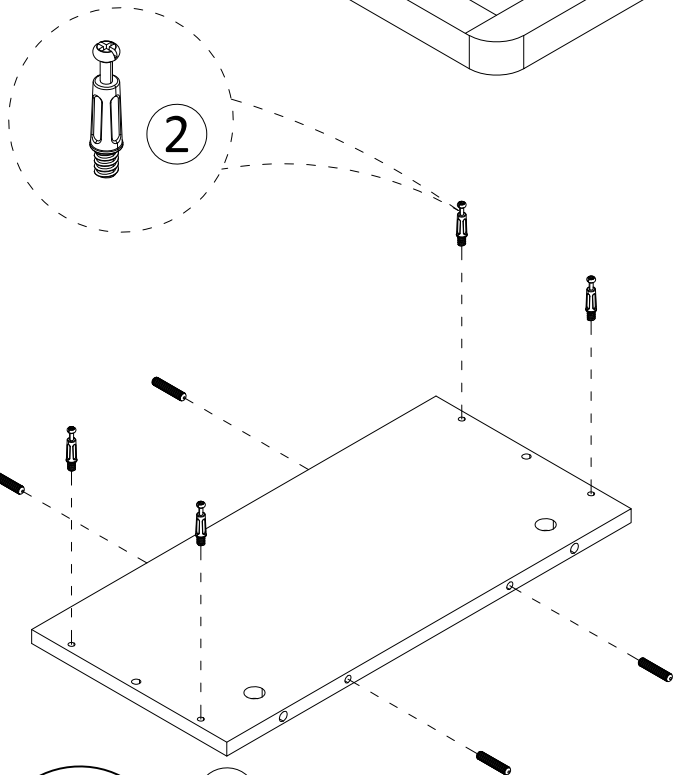
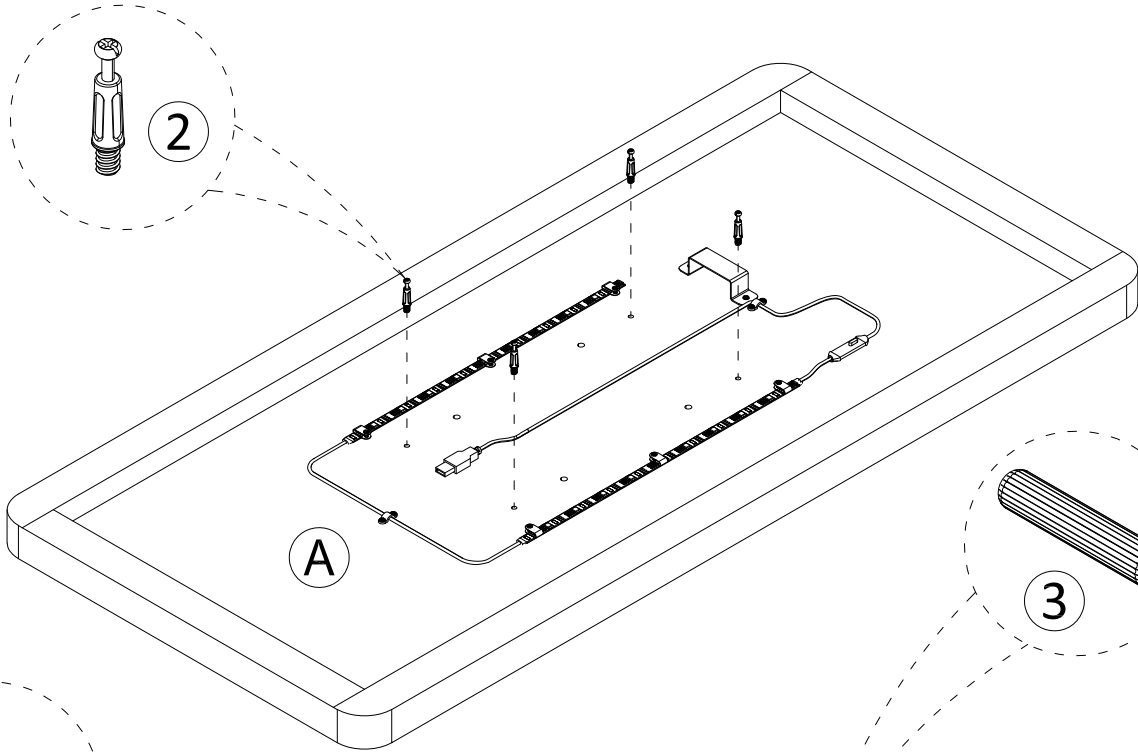
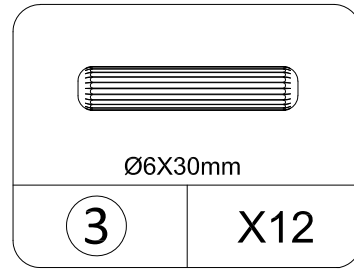
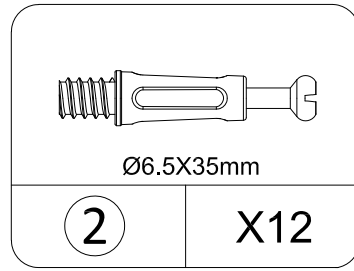
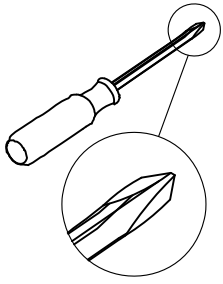
STEP2



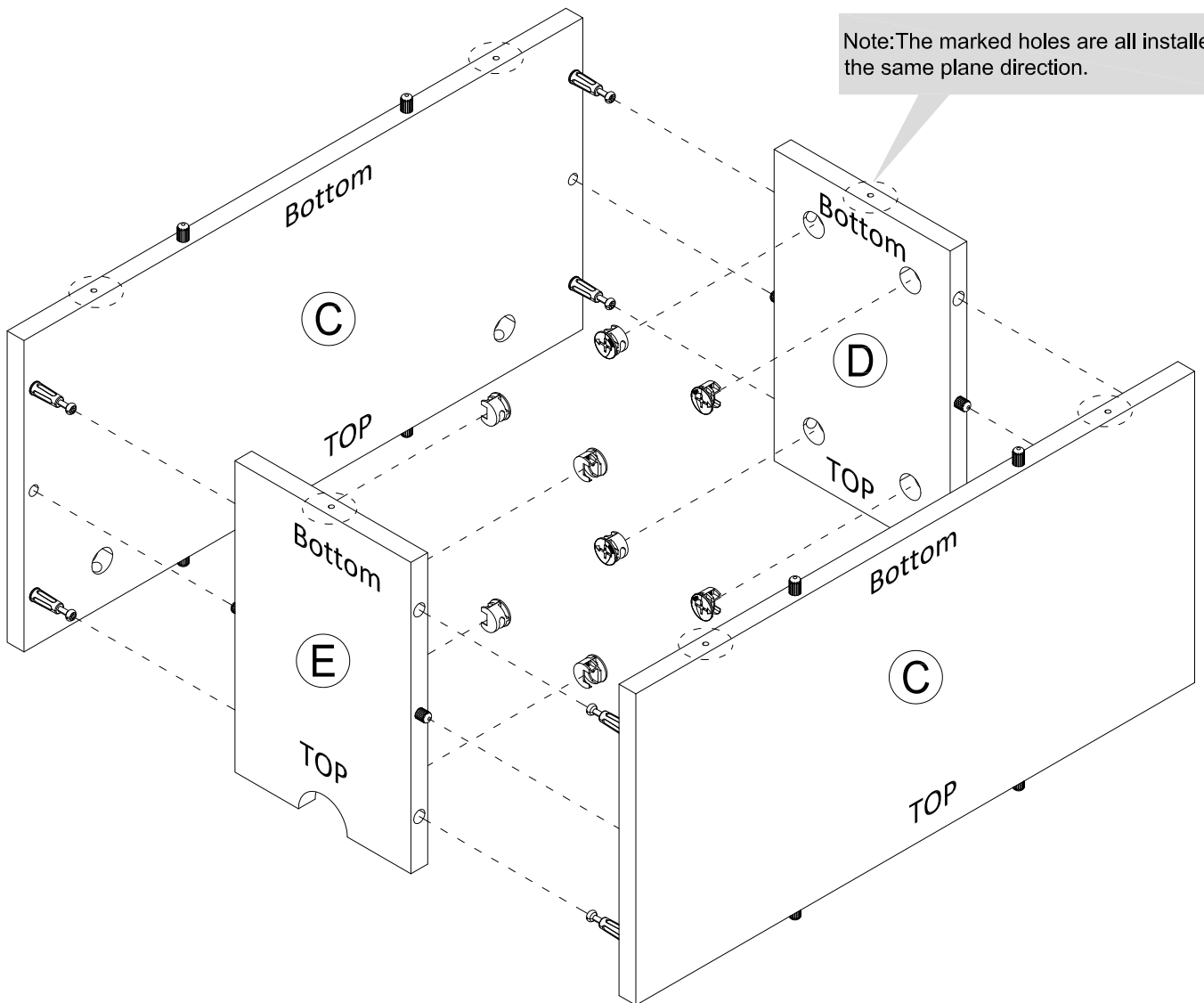
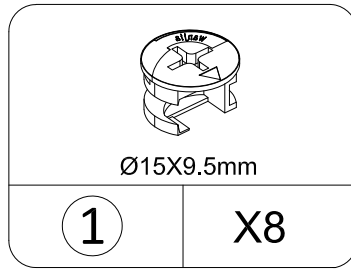
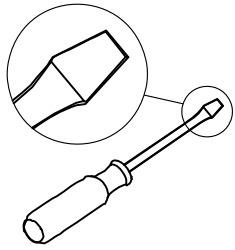
1. Tear off the 3M adhesive tape film on the back of the light strip and stick it inward along the previous marking line.
2. Wrap the light strap buckle (9) around the light strip, align it with the corresponding hole, and screw in the screw (5)



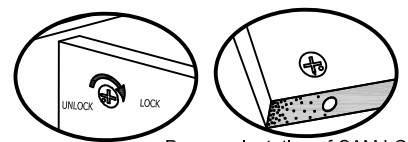
STEP 3



STEP4

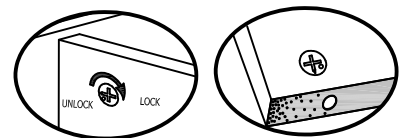
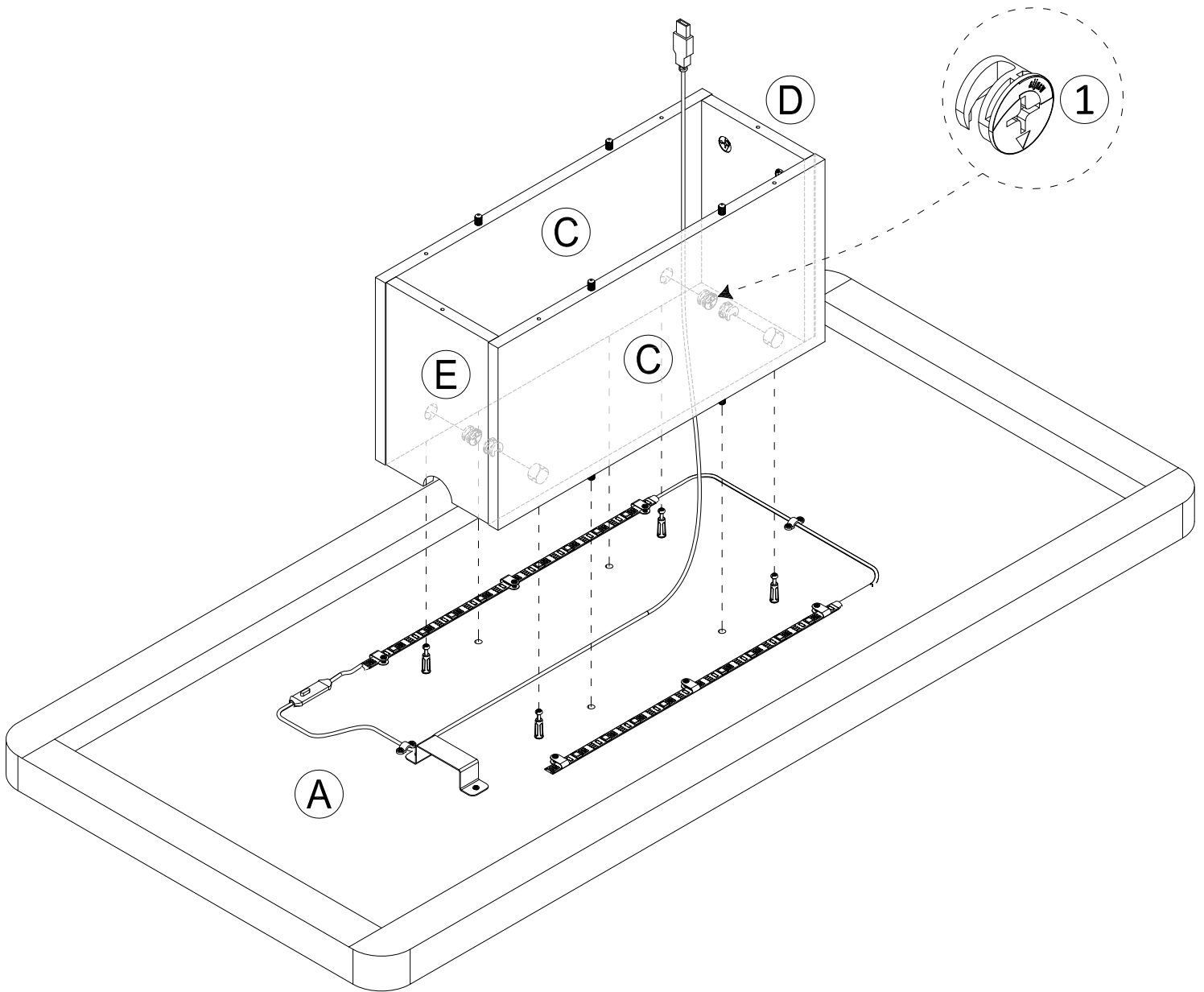
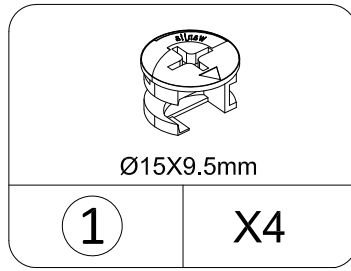
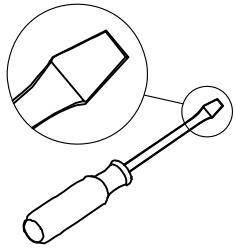


Note: The marked holes are all installed in the same plane direction.



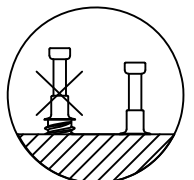
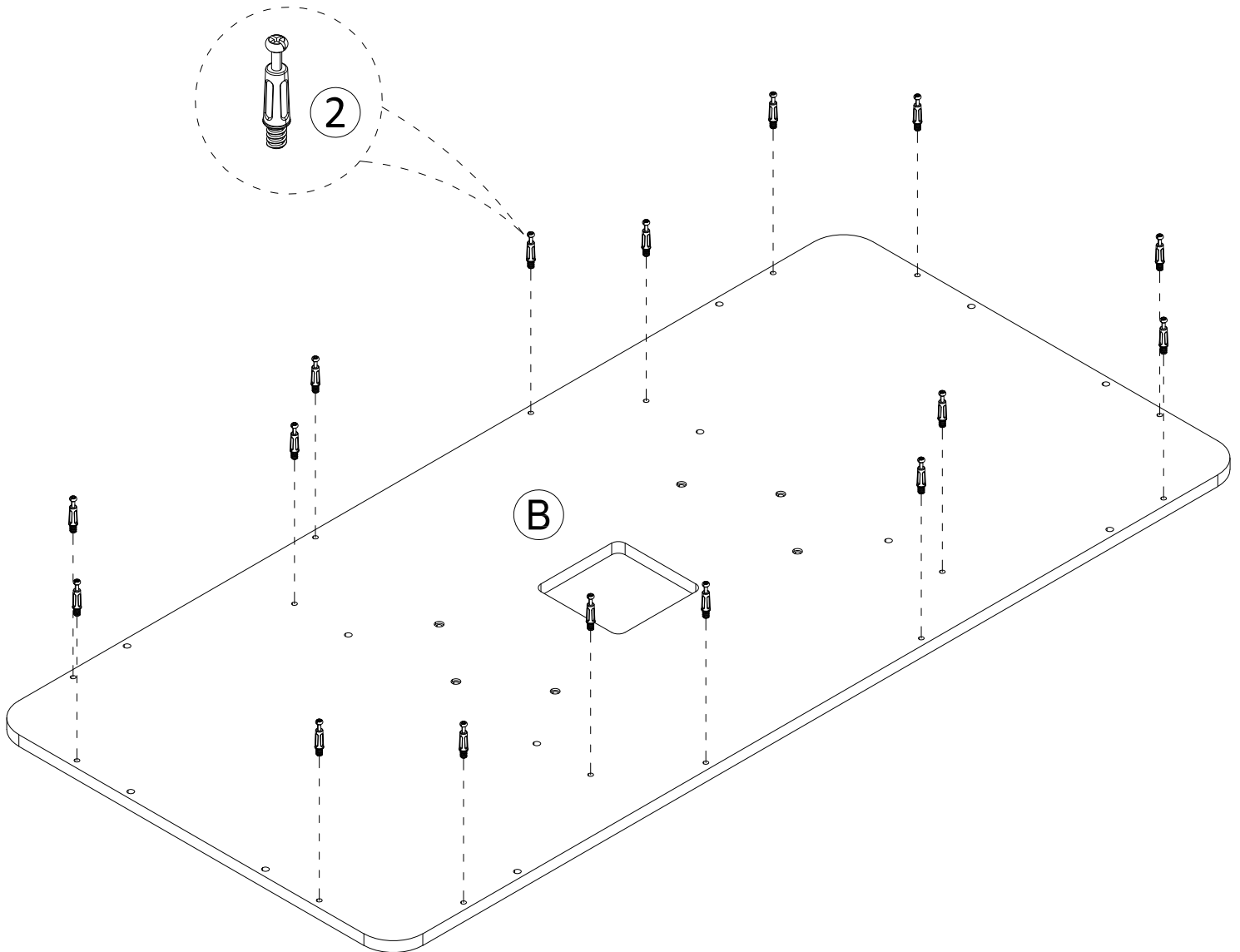
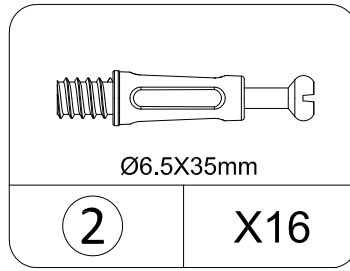
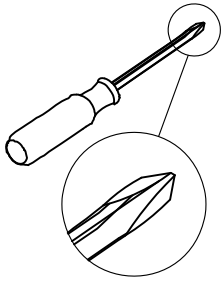
Proper orientation of CAM LOCK

STEP 5

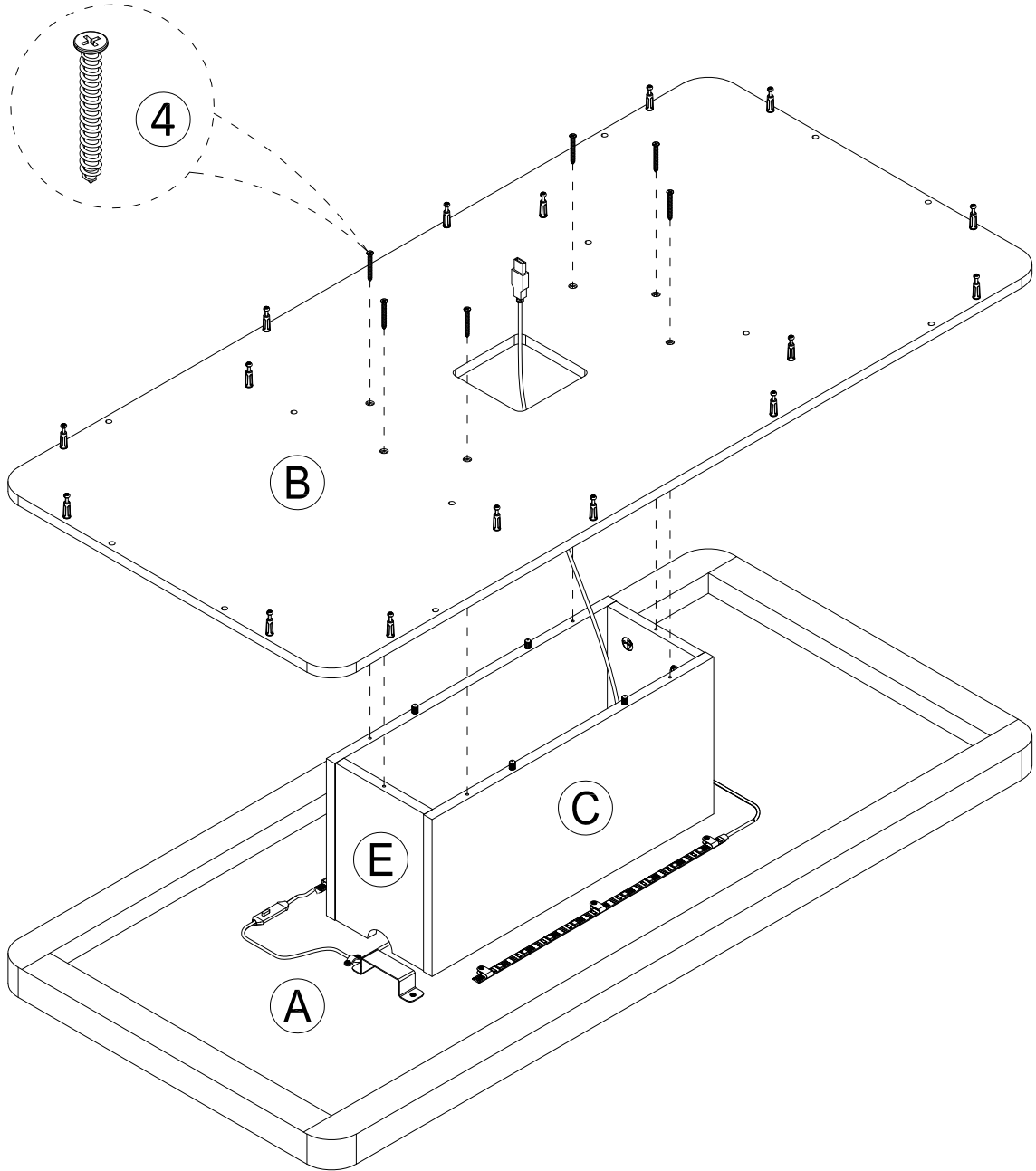
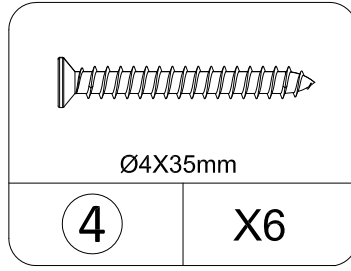
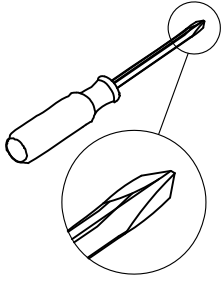


Proper orientation of CAM LOCK

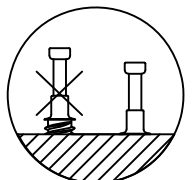
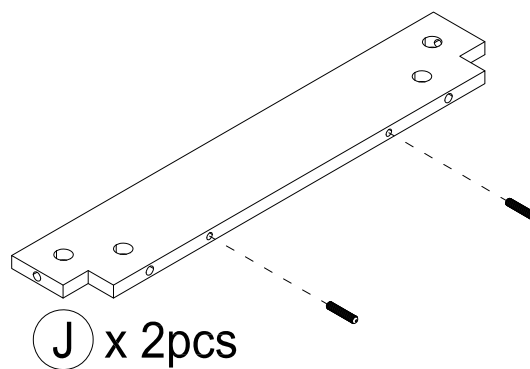
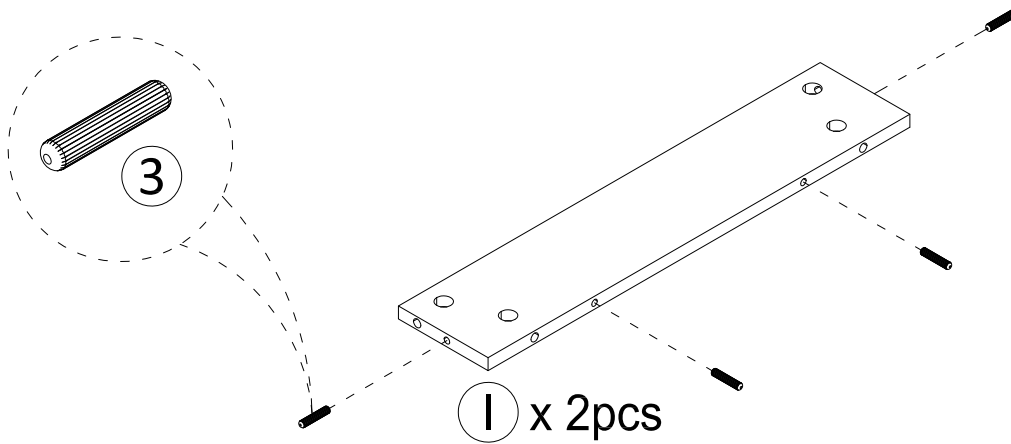
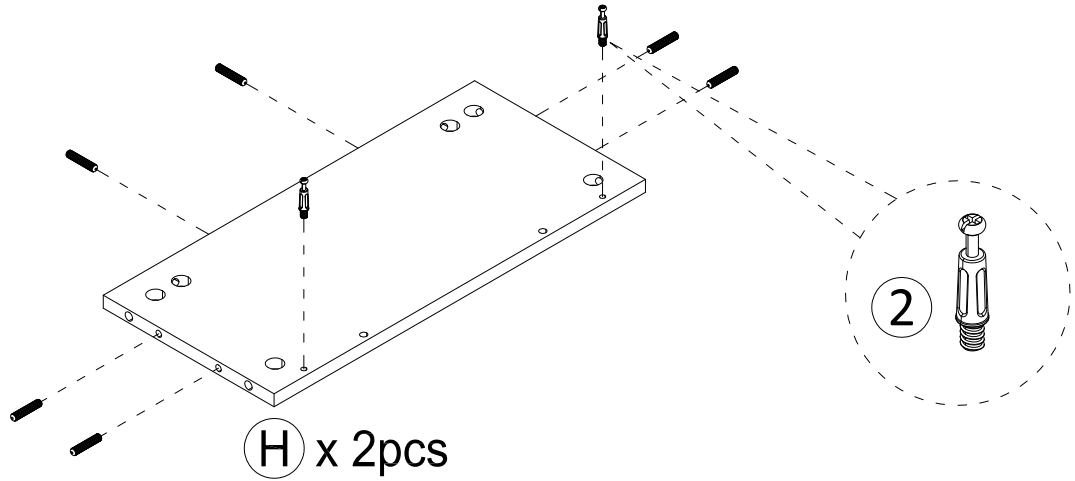
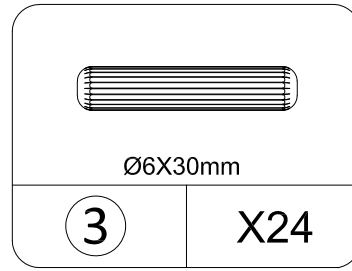
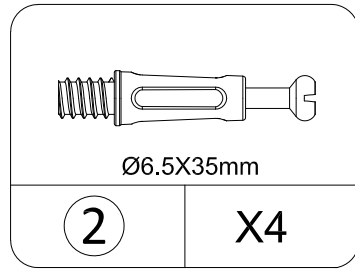
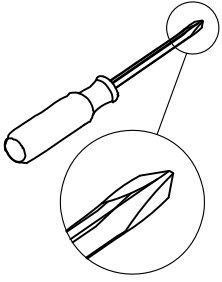
STEP 6



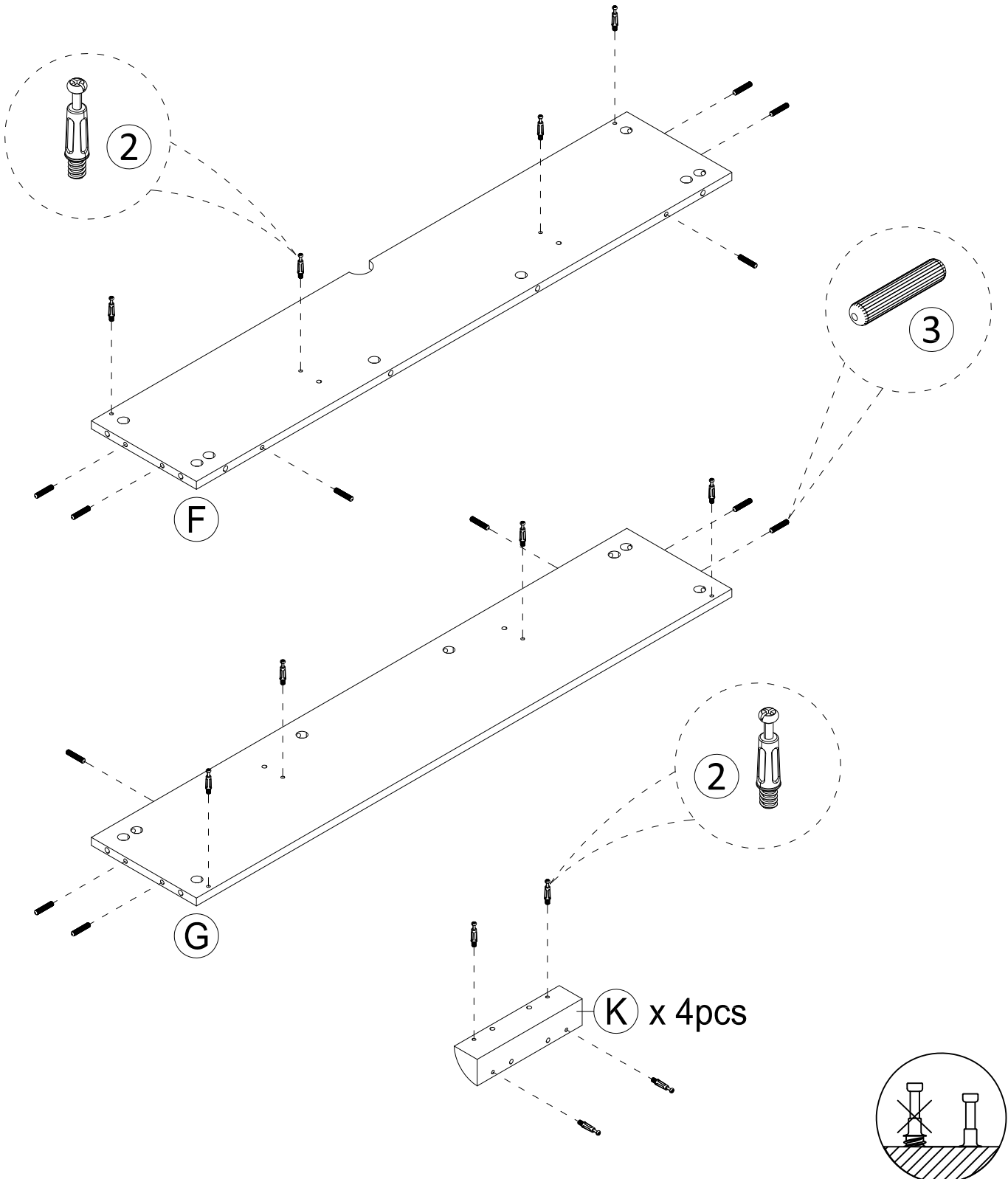
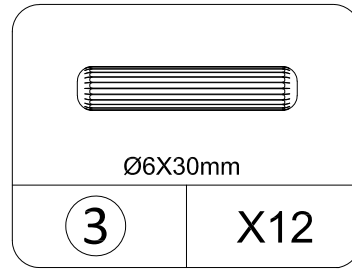
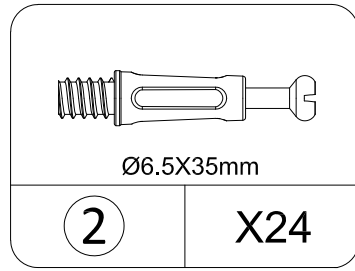
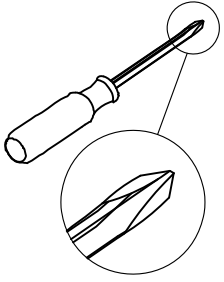
STEP 7



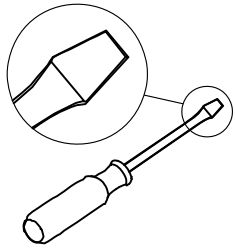
STEP 8

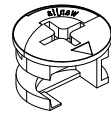


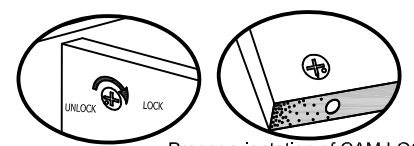
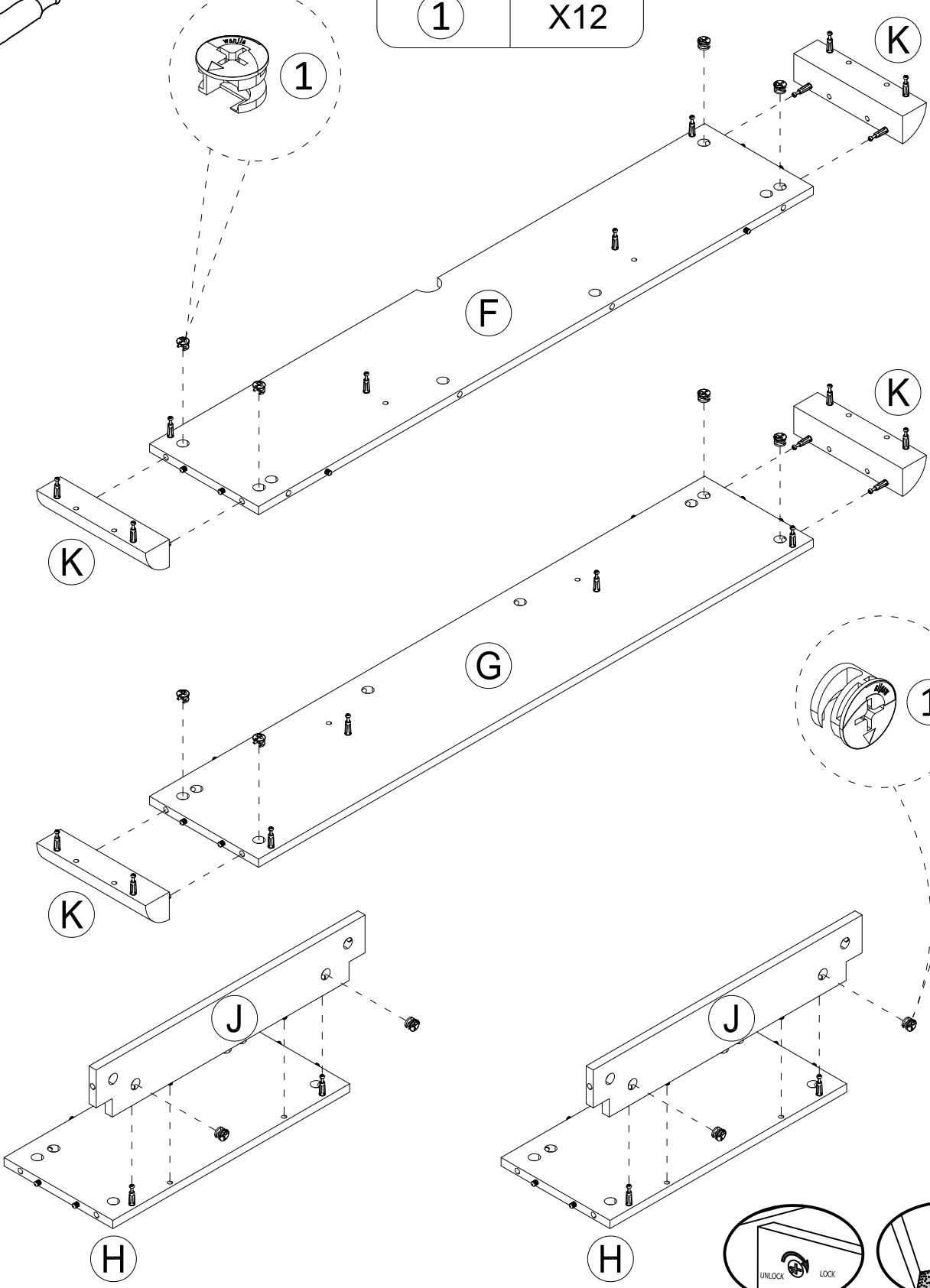
STEP 9



STEP10

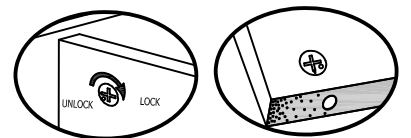
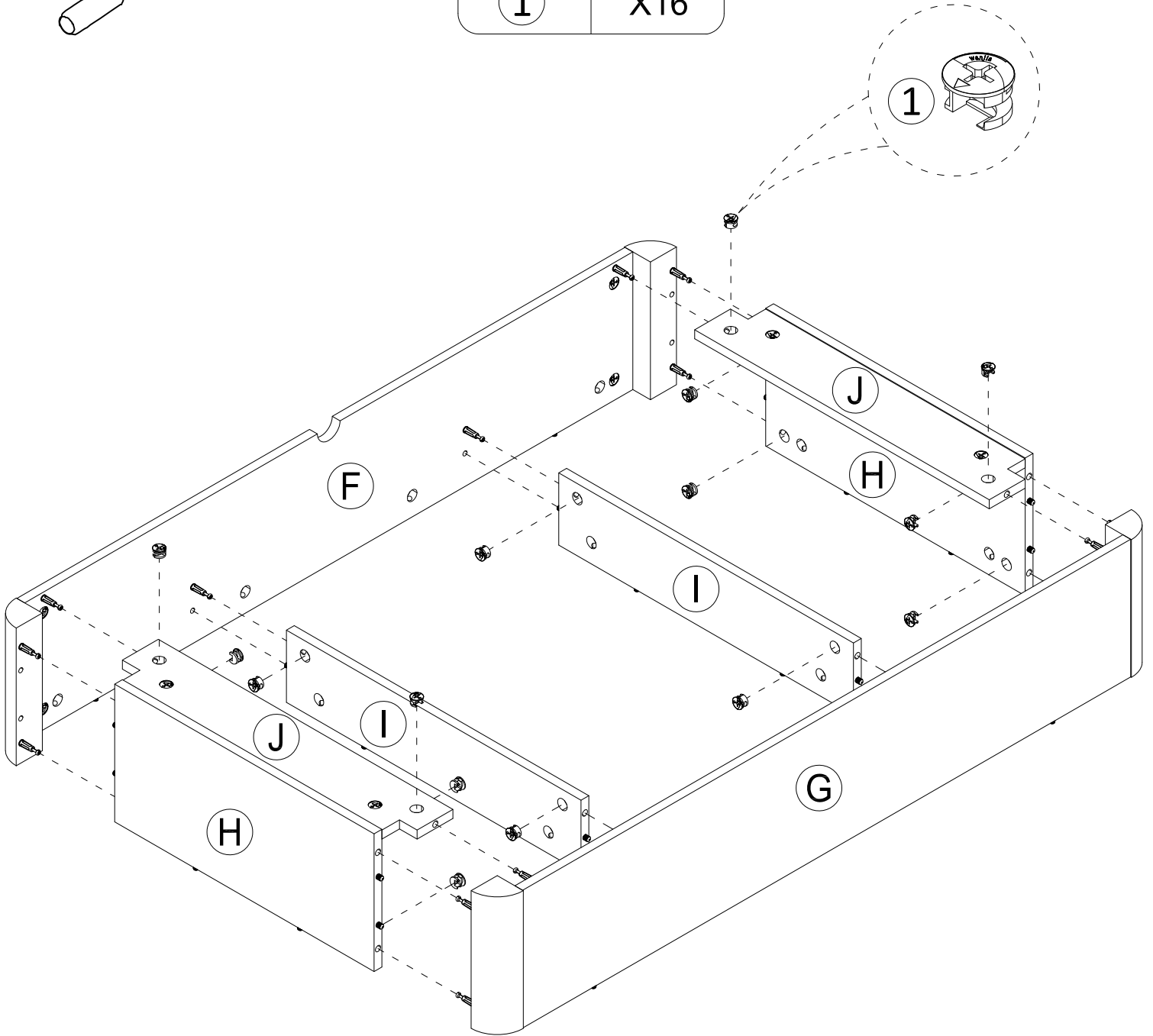
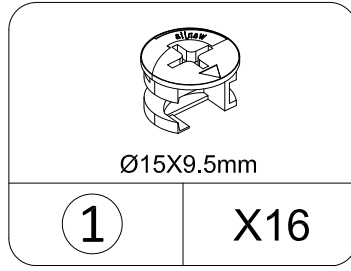
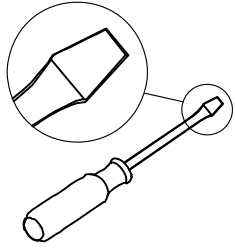


 Ø15X9.5mm	
1	X12



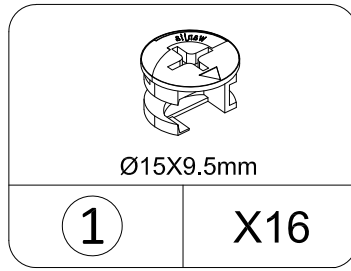
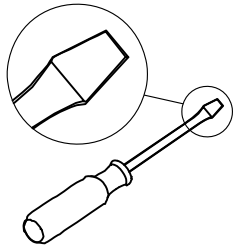
Proper orientation of CAM LOCK

STEP 11

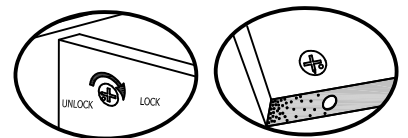
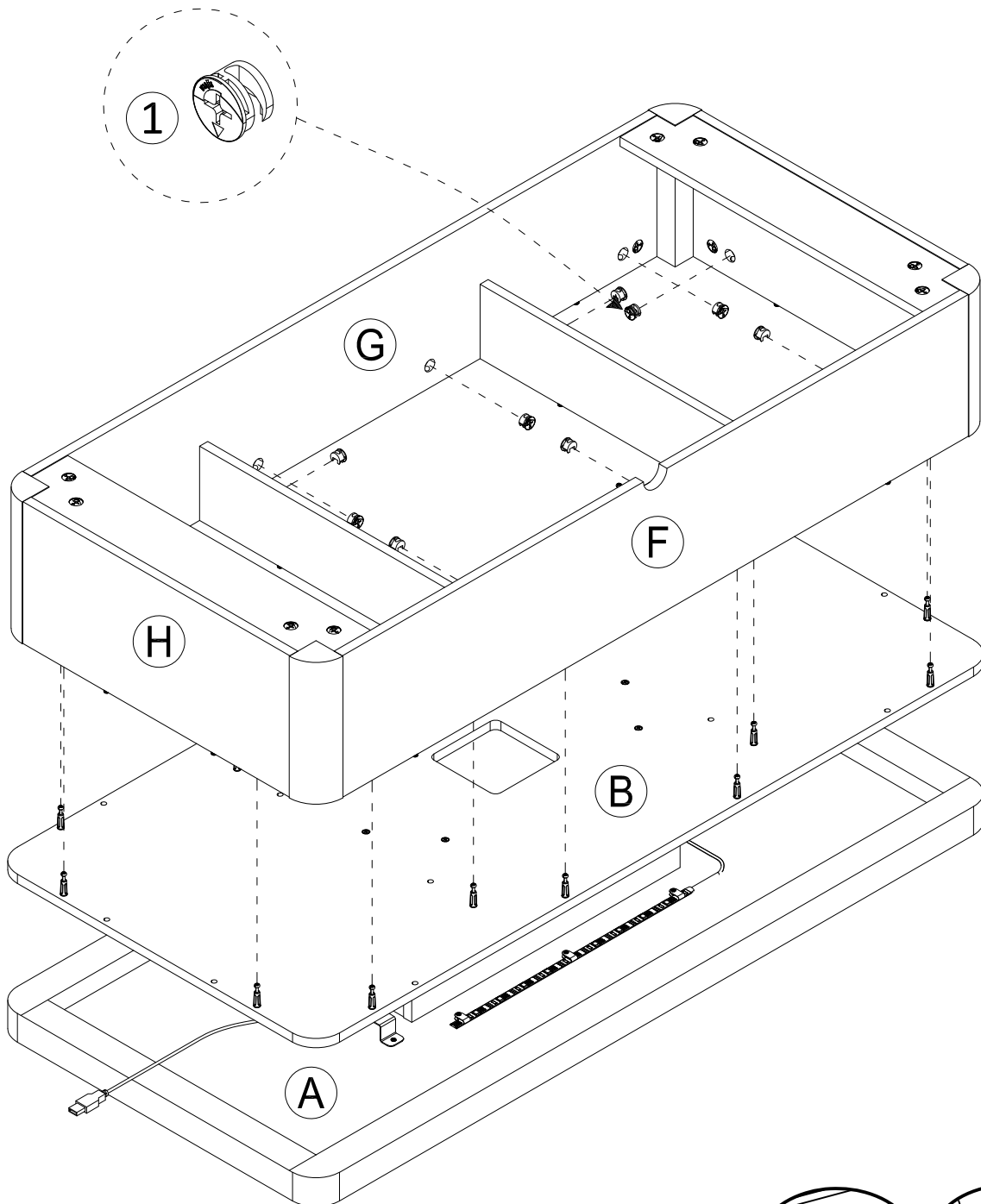


Proper orientation of CAM LOCK

STEP12

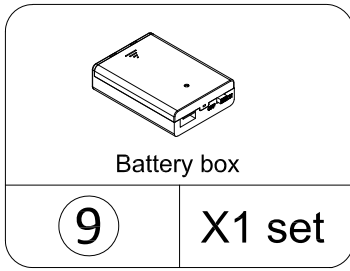


THIS STEP REQUIRES 2 PEOPLE



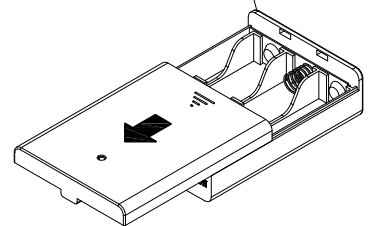
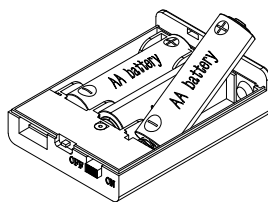
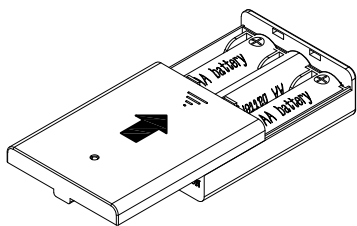
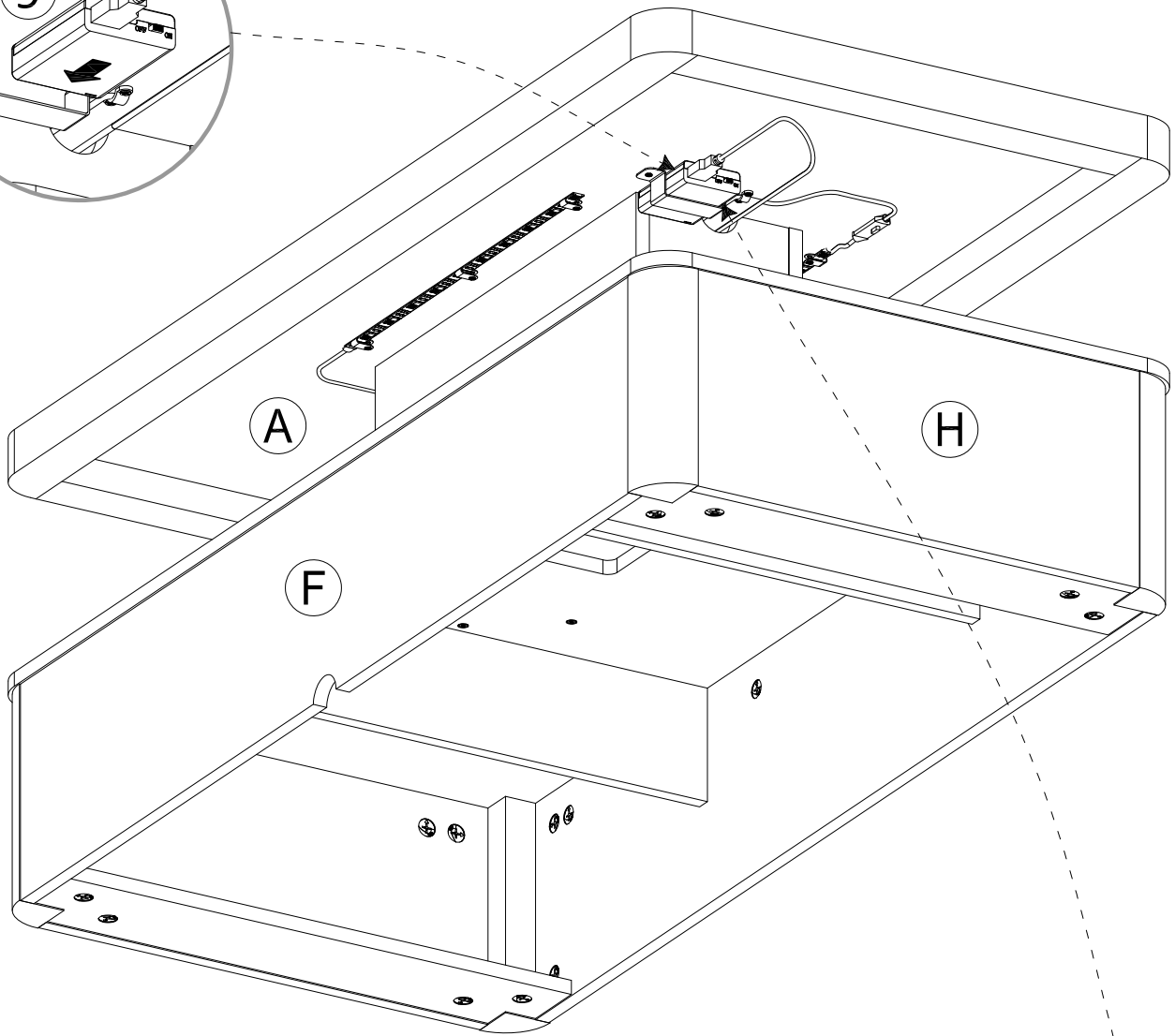
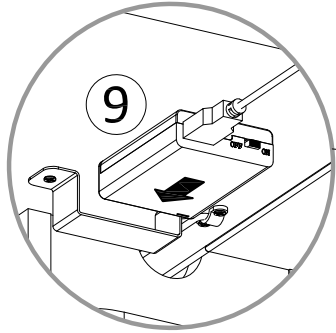
Proper orientation of CAM LOCK

STEP13(SCHEME 1)



Scheme 1:

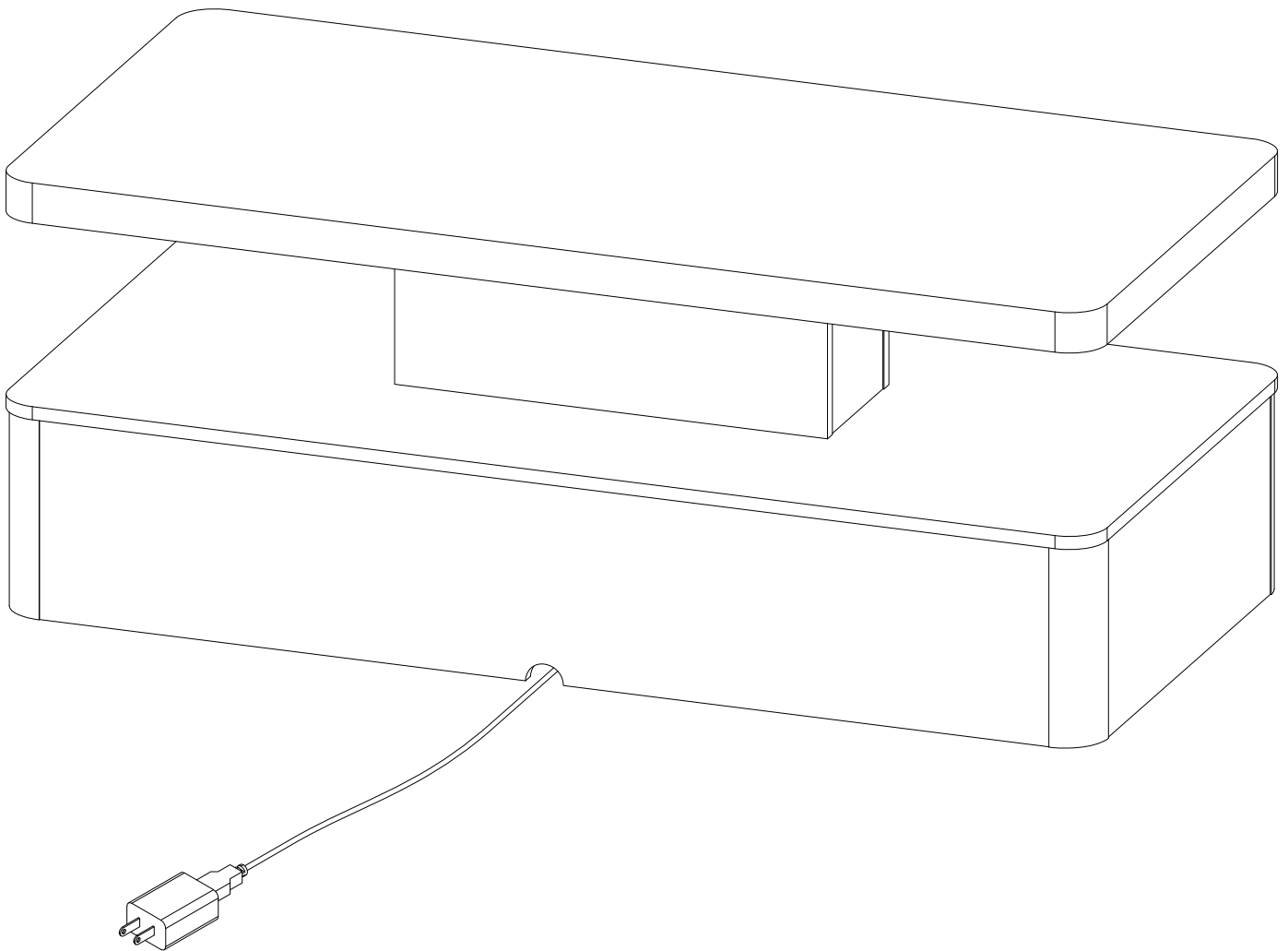
Insert three AA batteries into the battery box, then thread the USB plug through the semicircular hole of part (E) and insert it into the USB port of the battery.



STEP14(SCHEME 2)

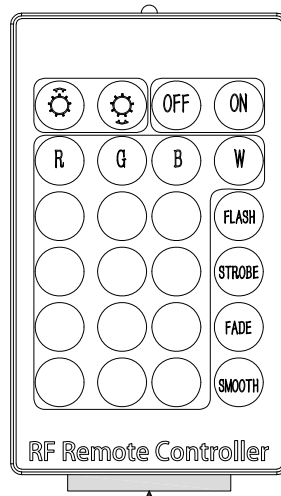
Scheme 2:

Find an idle 5V adapter and thread the USB plug from the bottom semicircular hole to the front, then insert it into the adapter.



STEP15

- **To use the remote control function of the light strip, please read the light strip manual.**



Before use, pull out the transparent card below.

