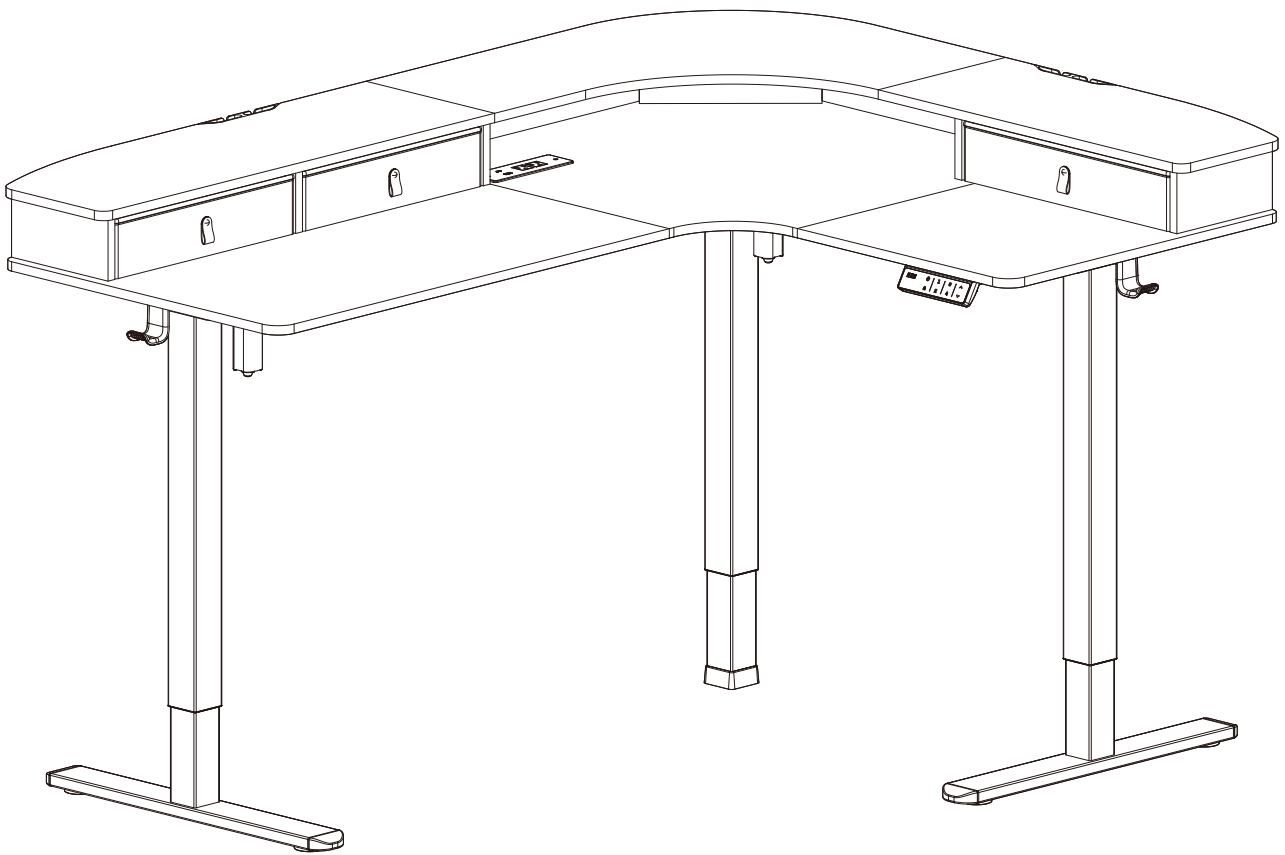


Electric Standing Desk

Instruction Manual



IMPORTANT INFORMATION

– PLEASE READ THIS INFORMATION BEFORE INSTALLATION

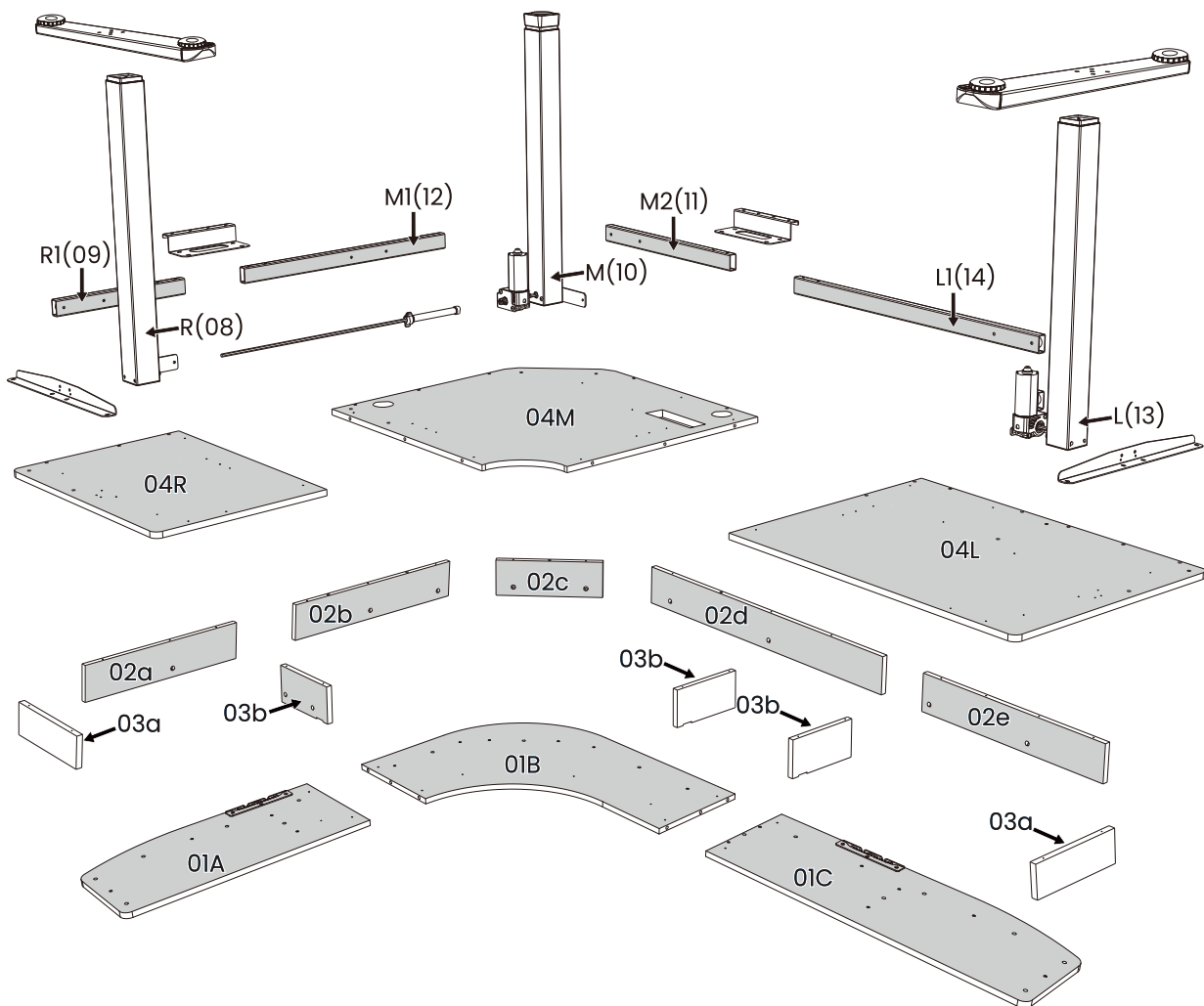
1. Each panel has a label.

Please sort the panels first as follows, then correctly attach them in the order shown (see details in Step 1 on page 06):

- Drawer top panels: 01A, 01B, and 01C
- Drawer back panels: 02a, 02b, 02c, 02d, and 02e
- Drawer side panels: 03a and 03b
- Desktop panels: 04R, 04M, and 04L

2. Each leg/crossbar is labeled.

R refers to the leg, while R1 refers to the crossbar attached to the leg. It applies similarly to M, M1, M2, L, and L1.



Specifications



Height Adjustment Range
28.3"–46.5" (72-118cm)



Power Input
100V–240V

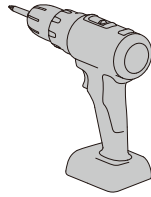


Max. Speed
20mm/s



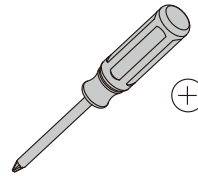
Operating Noise
≤55dB

Tools Needed (Not Included)



Drill

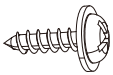
OR



Phillips Screwdriver

Step 1 Supplied Parts and Hardware

A x 16



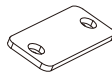
Screw
M5 × 15mm

B x 32



Wood Dowel Pin

C x 8



Desktop Panel
Connector

D x 17



Cam Bolt

E x 17



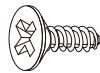
Cam Lock

F x 25



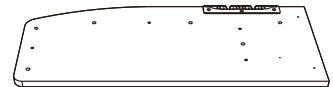
Screw
M4 × 35mm

G x 2



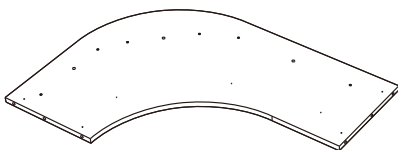
Screw
M4 x 12mm

01A x 1



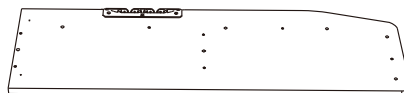
Drawer Top Panel

01B x 1



Drawer Top Panel

01C x 1



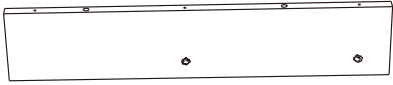
Drawer Top Panel

02a x 1



Drawer Back Panel

02b x 1



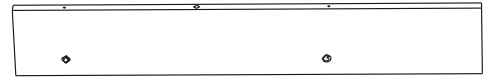
Drawer Back Panel

02c x 1



Drawer Back Panel

02d x 1



Drawer Back Panel

02e x 1



Drawer Back Panel

03a x 2



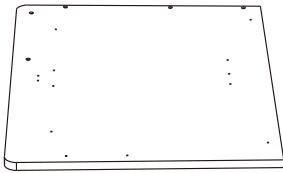
Drawer Side Panel

03b x 3



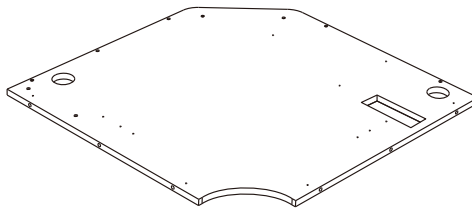
Drawer Side Panel

04R x 1



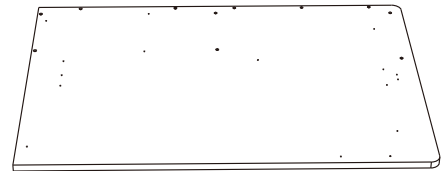
Desktop End Panel

04M x 1



Desktop Middle Panel

04L x 1



Desktop End Panel

05 x 1



Desktop Power
Outlet

**Actual part
may vary.**

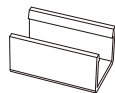
Light Strip Kit [06]

06a x 4



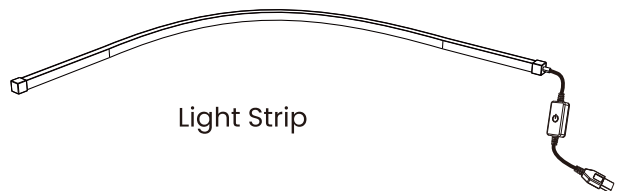
Screw
M3 x 8mm

06b x 4



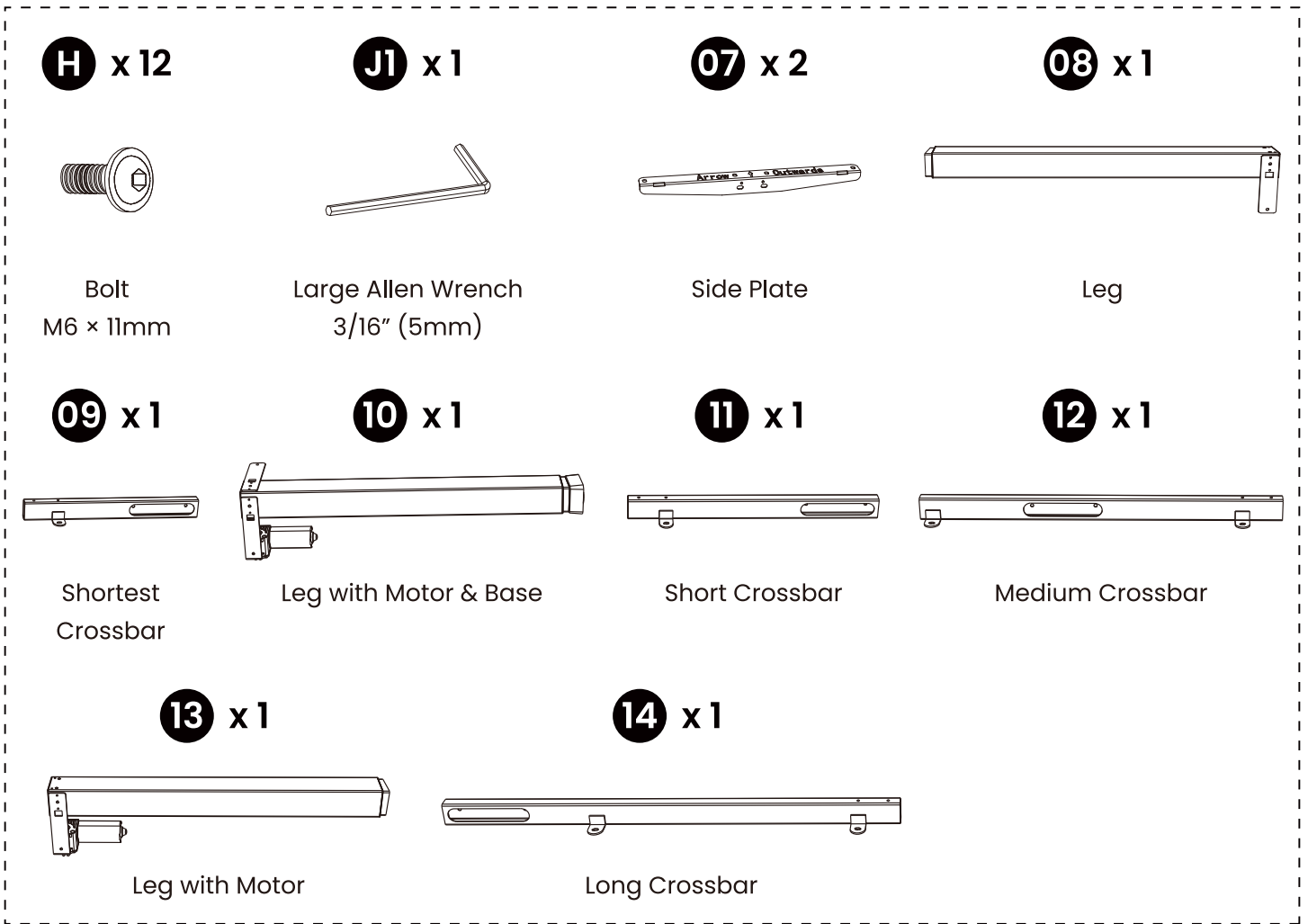
Light Strip Clip

06c x 1

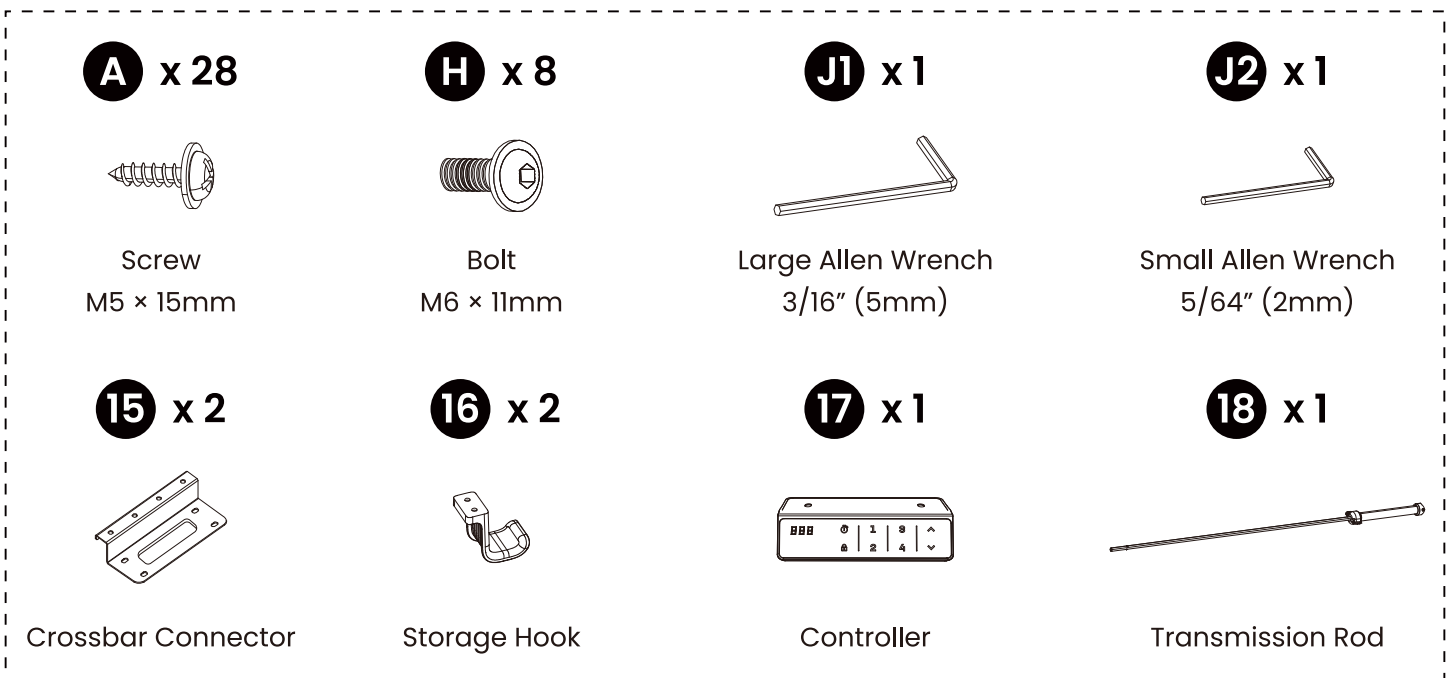


Light Strip

Step 2 Supplied Parts and Hardware

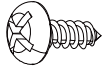


Step 3 Supplied Parts and Hardware



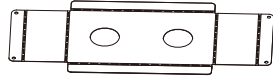
Step 4 Supplied Parts and Hardware

L x 8



Screw
ST5 x 12mm

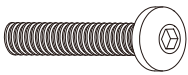
19 x 2



Cable Management Tray

Step 5 Supplied Parts and Hardware

K x 8



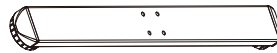
Bolt
M6 x 35mm

J1 x 1



Large Allen Wrench
3/16" (5mm)

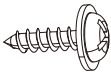
20 x 2



Leg Base

Step 6 Supplied Parts and Hardware

A x 2



Screw
M5 x 15mm

21 x 2



Motor
Connection Cable

22 x 1



Power
Connection Box

23 x 1



Power
Cable

24 x 4



Cable Clip

Actual part
may vary.

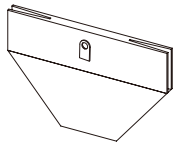
Step 7 Supplied Parts and Hardware

25 x 2



Grommet Cover

26a x 2



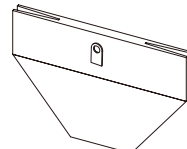
Small Drawer

26b x 2



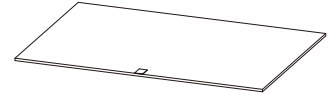
Small Drawer Bottom

27a x 1



Large Drawer

27b x 1

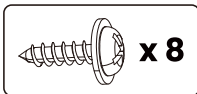
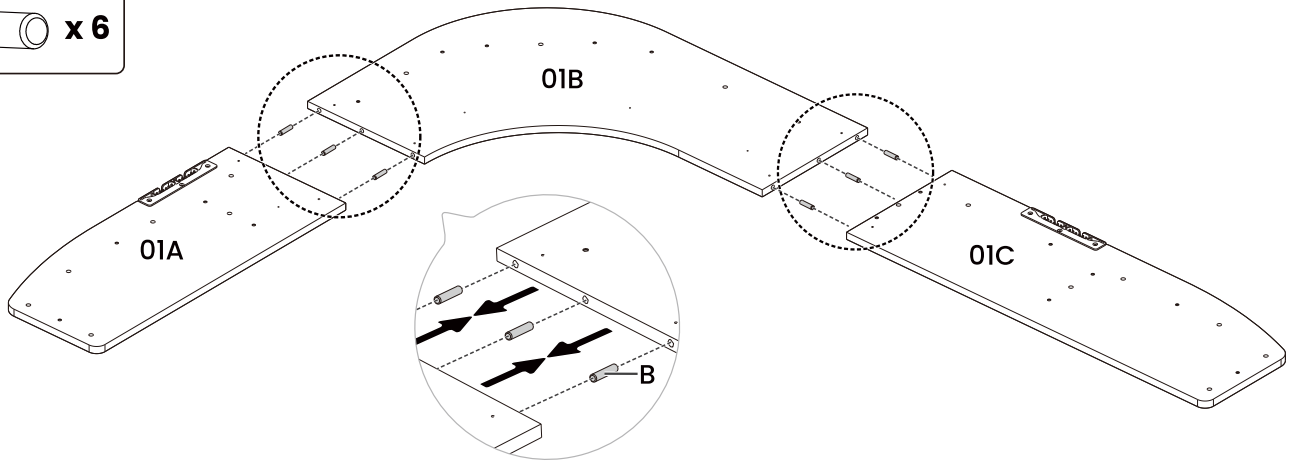
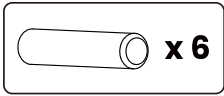


Large Drawer Bottom

Not all hardware included in this package will be used.

Step 1 Assembling the Desktop

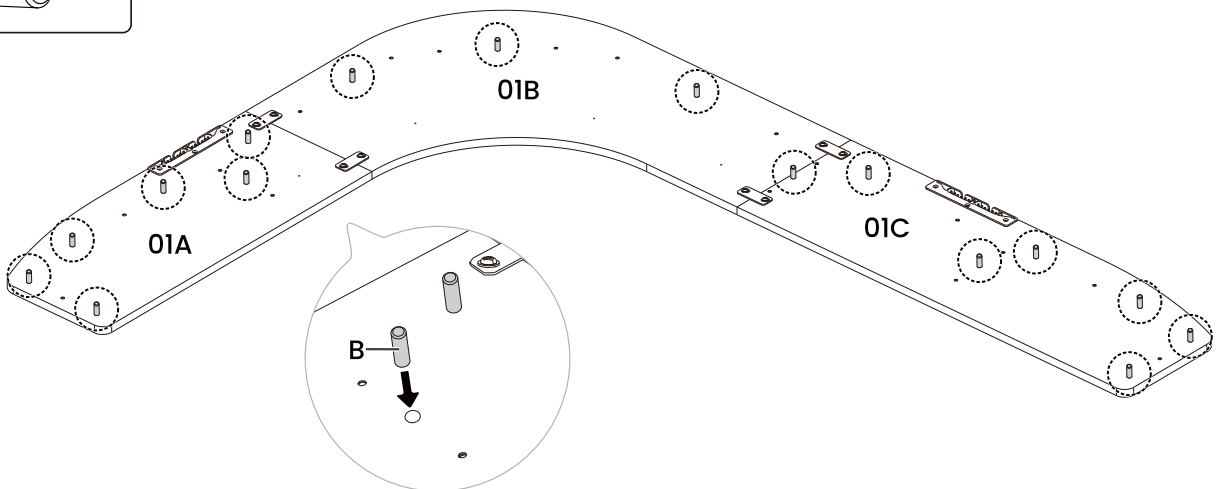
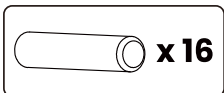
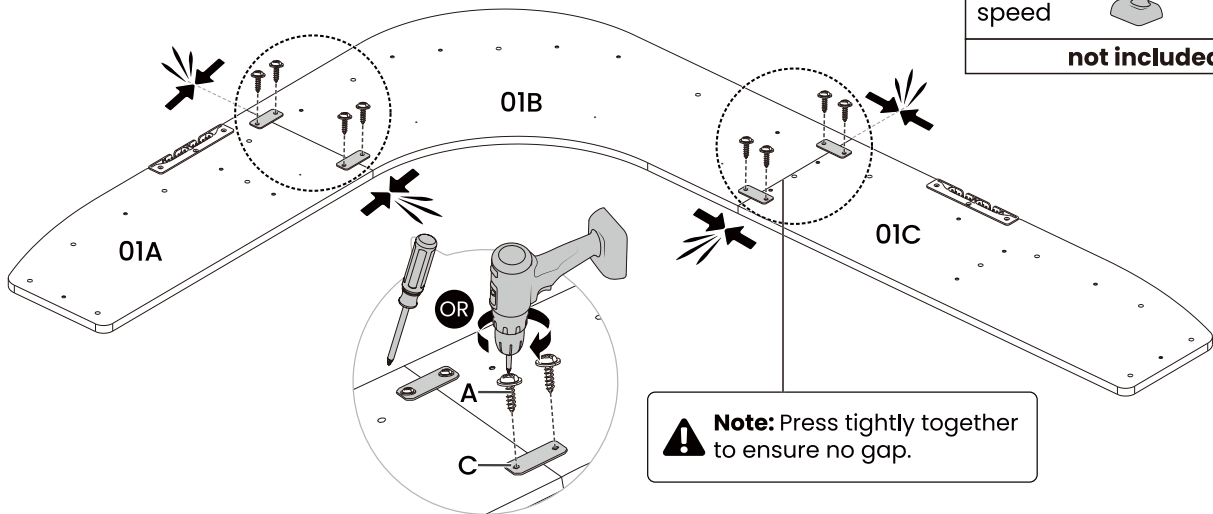
Assemble the drawer top with the pre-drilled holes facing up.

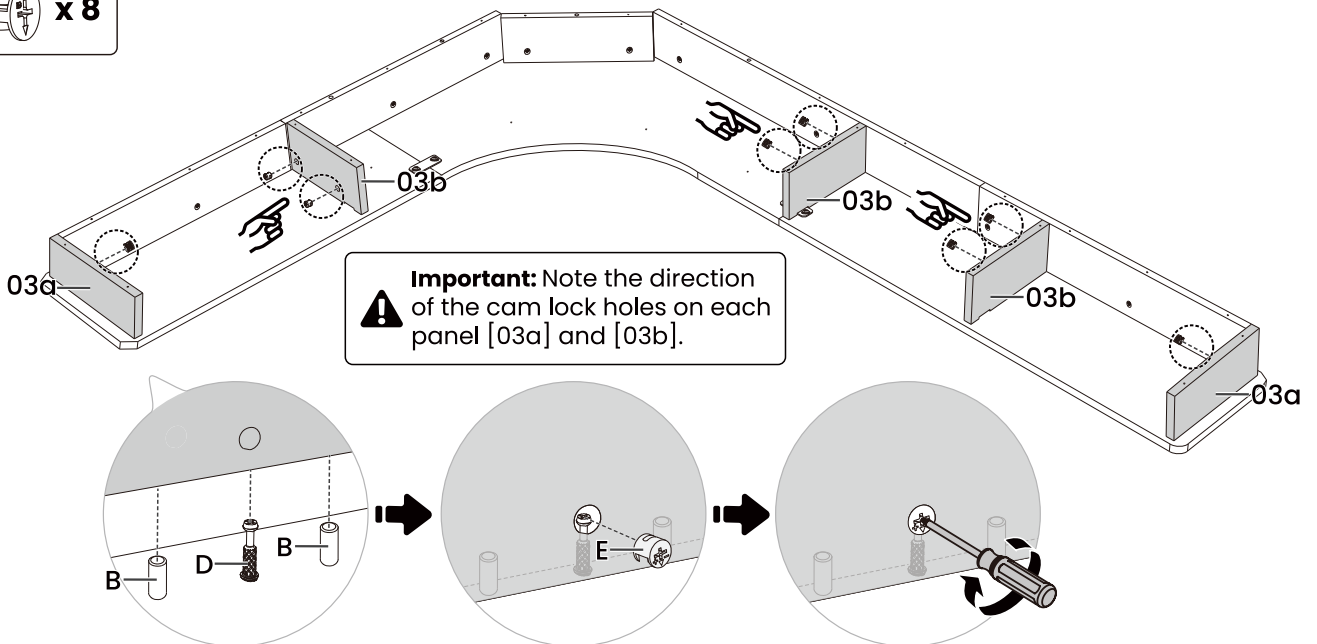
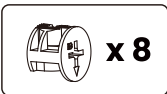
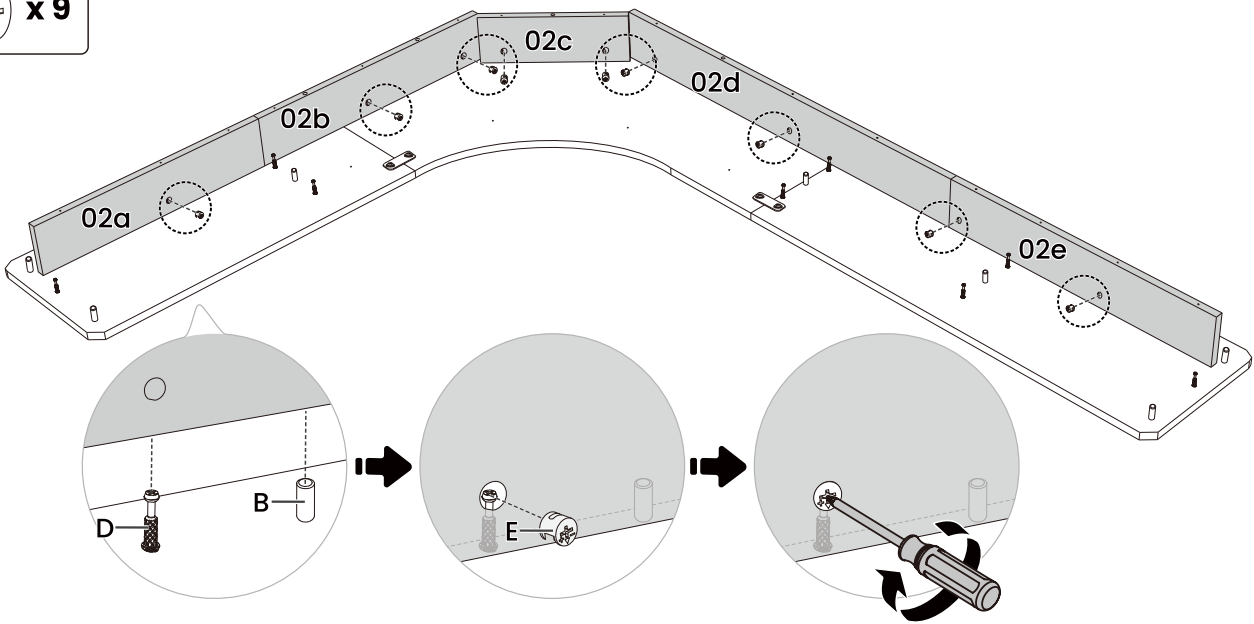
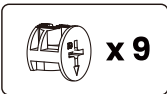
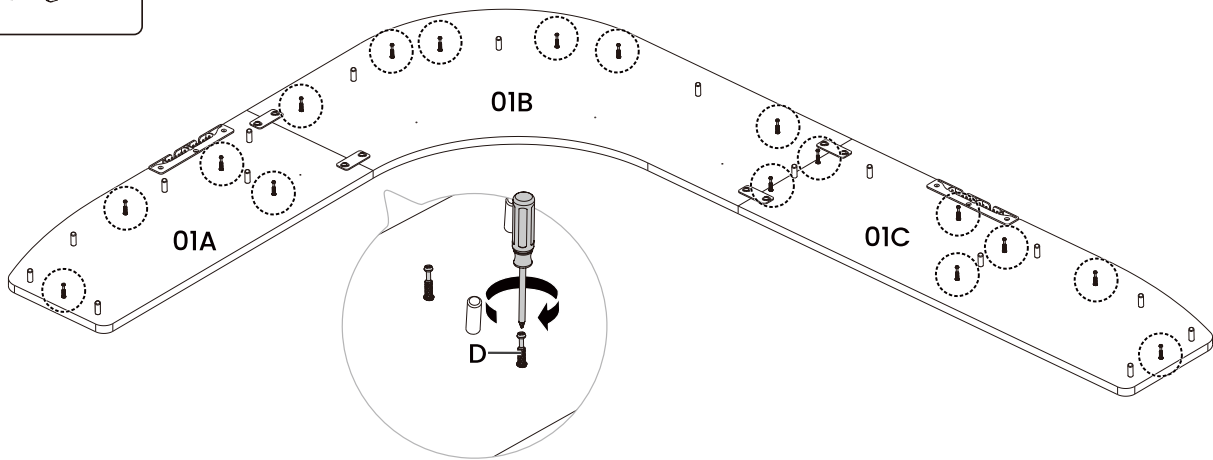
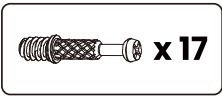


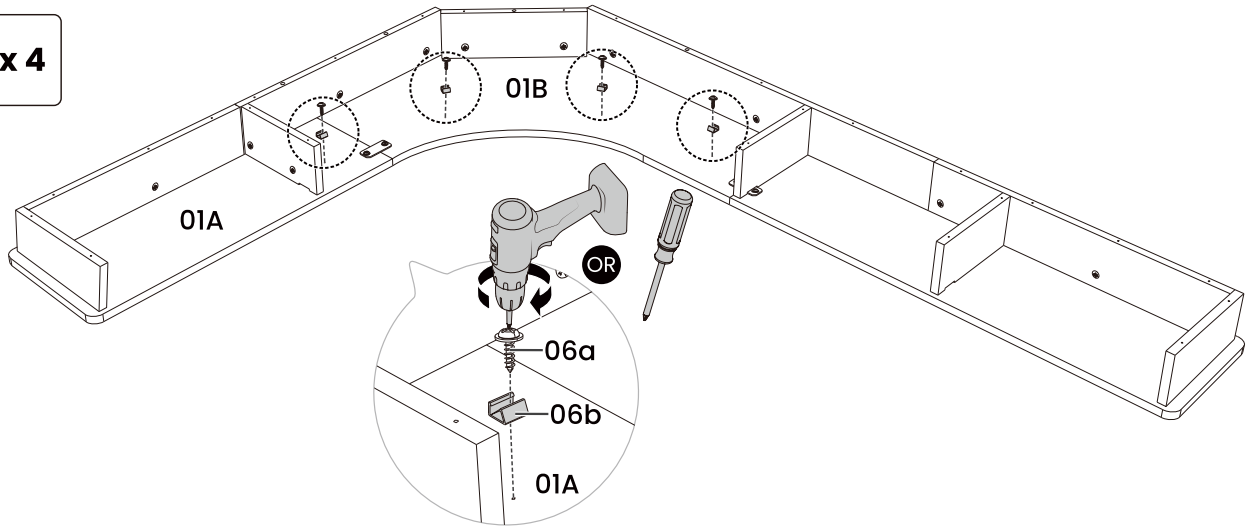
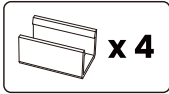
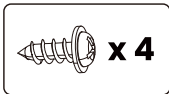
Drill with suitable torque and speed

OR

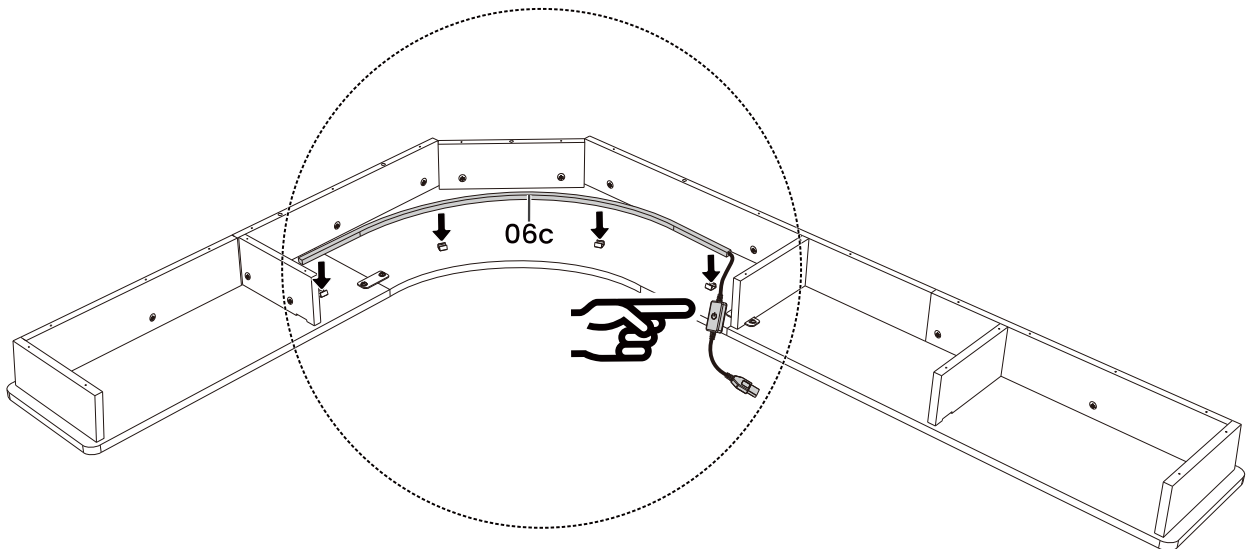
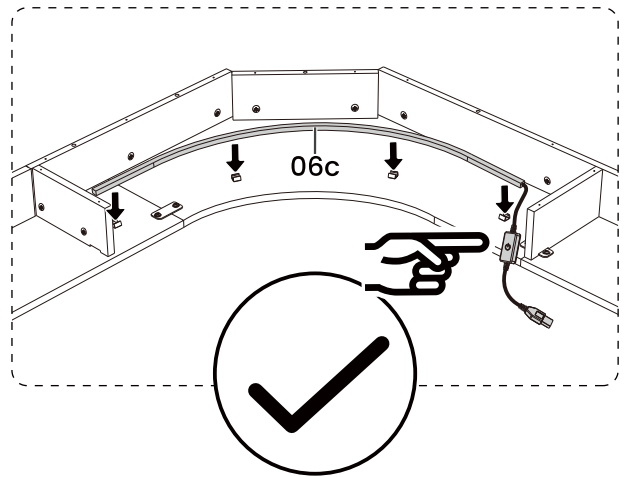
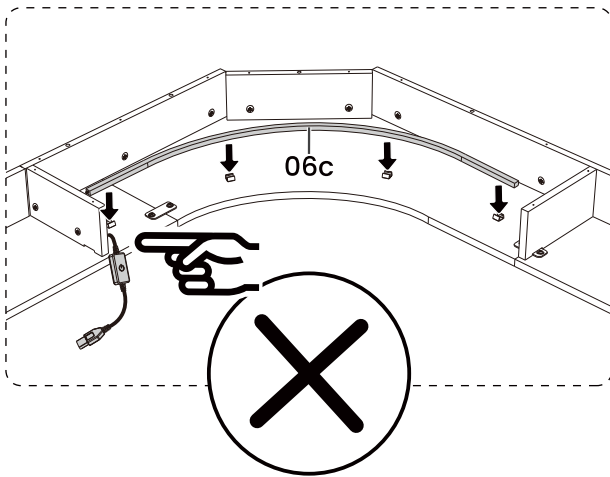
not included








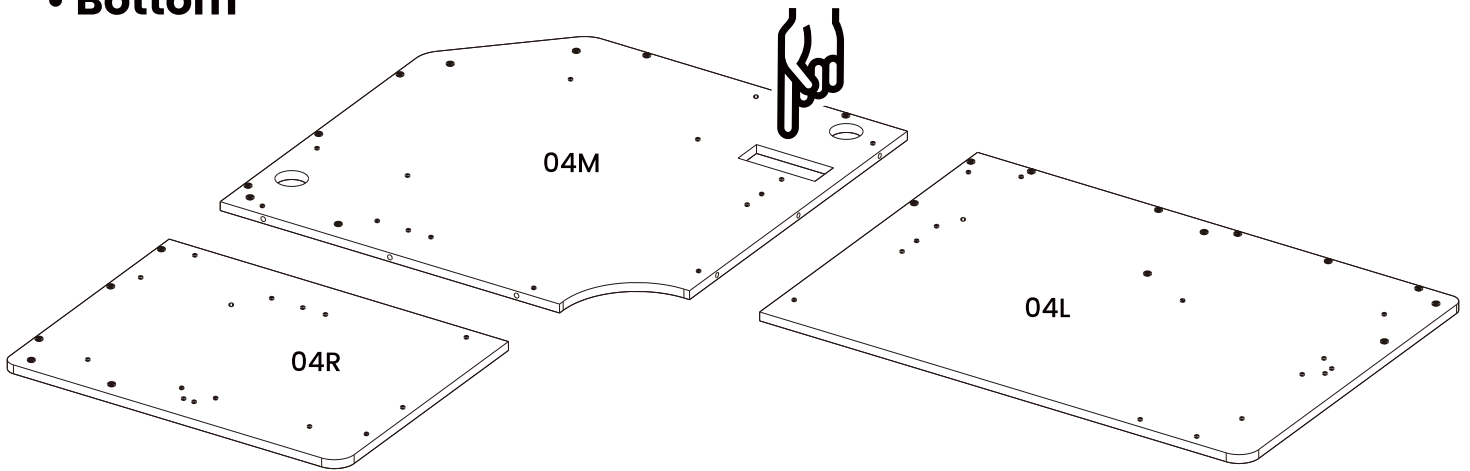
Insert the light strip into the light strip clips.



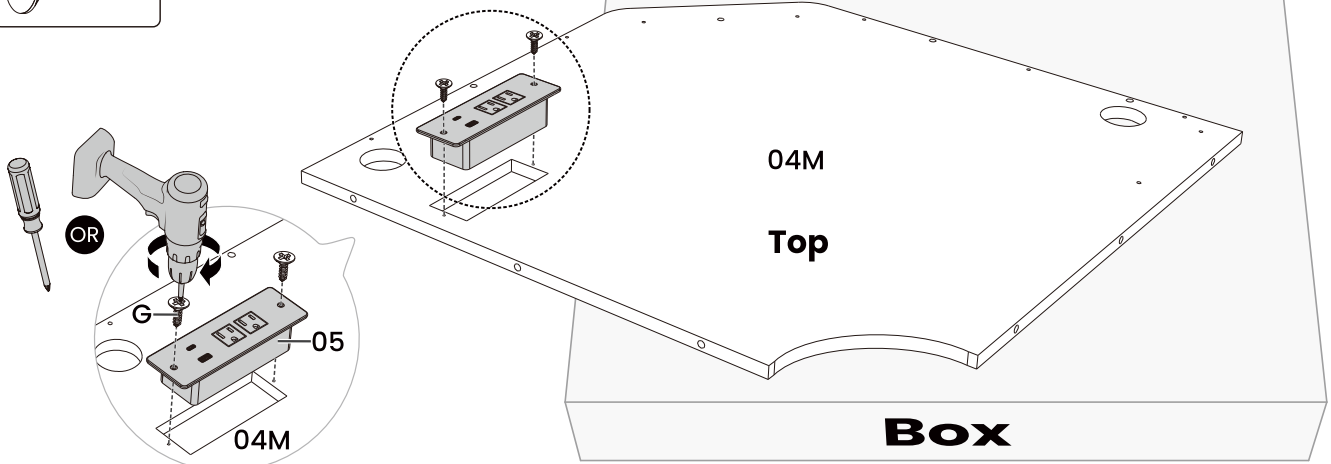
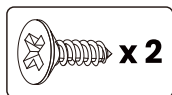
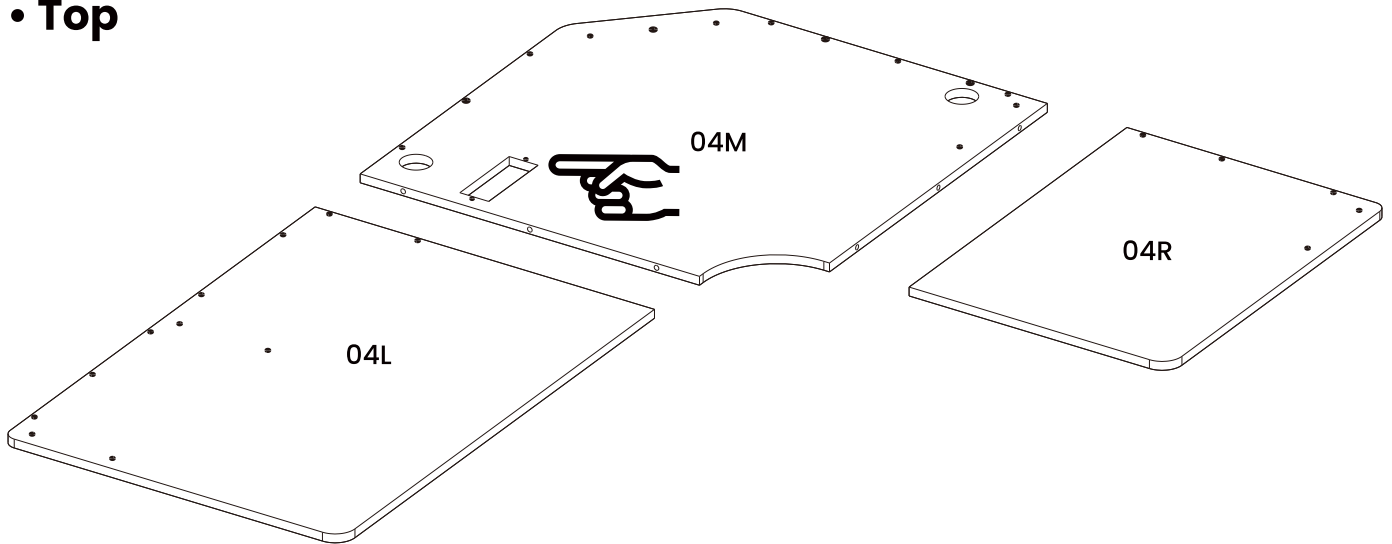


Tip:  indicate pre-drilled hole locations.

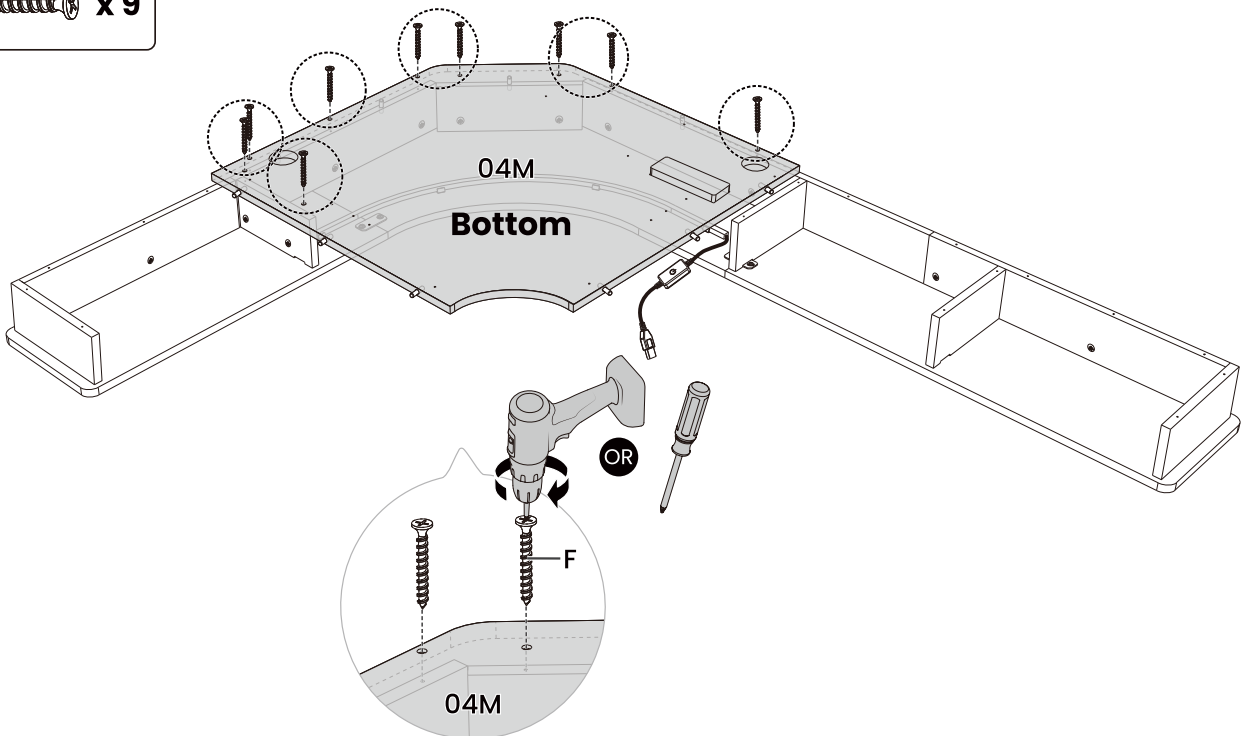
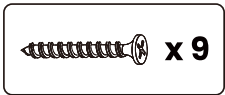
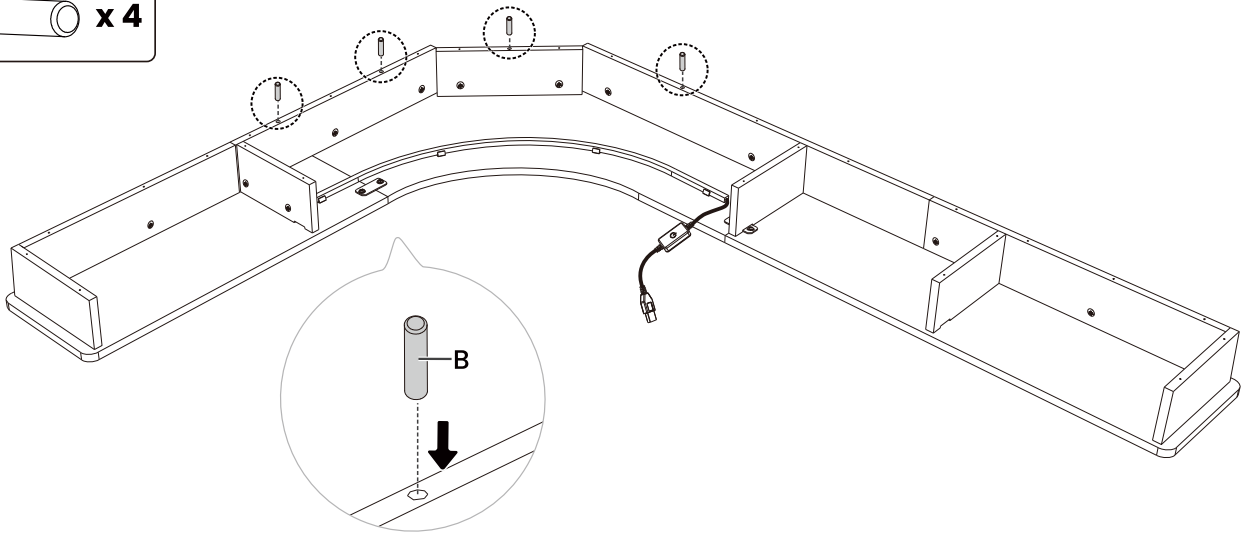
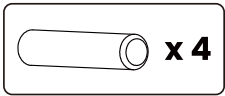
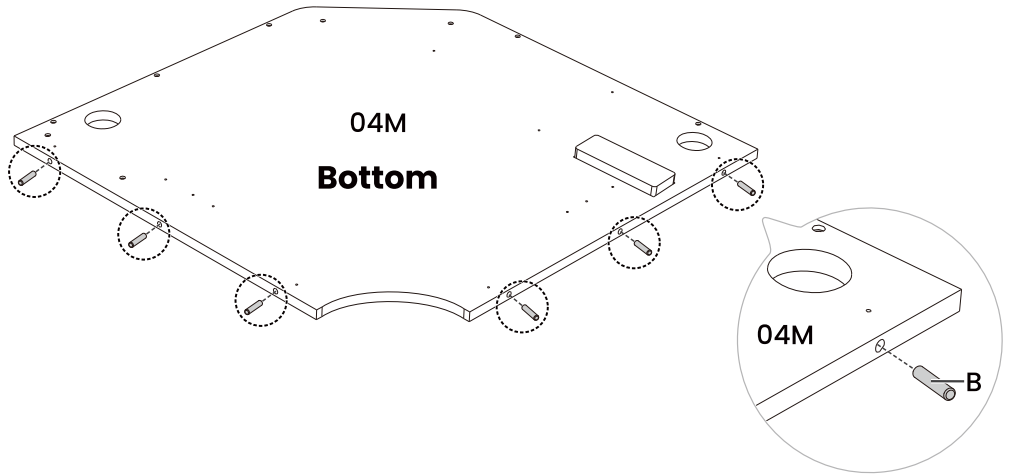
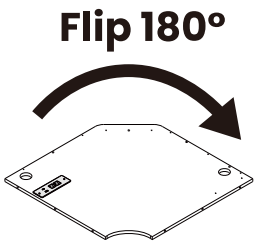
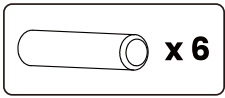
• Bottom

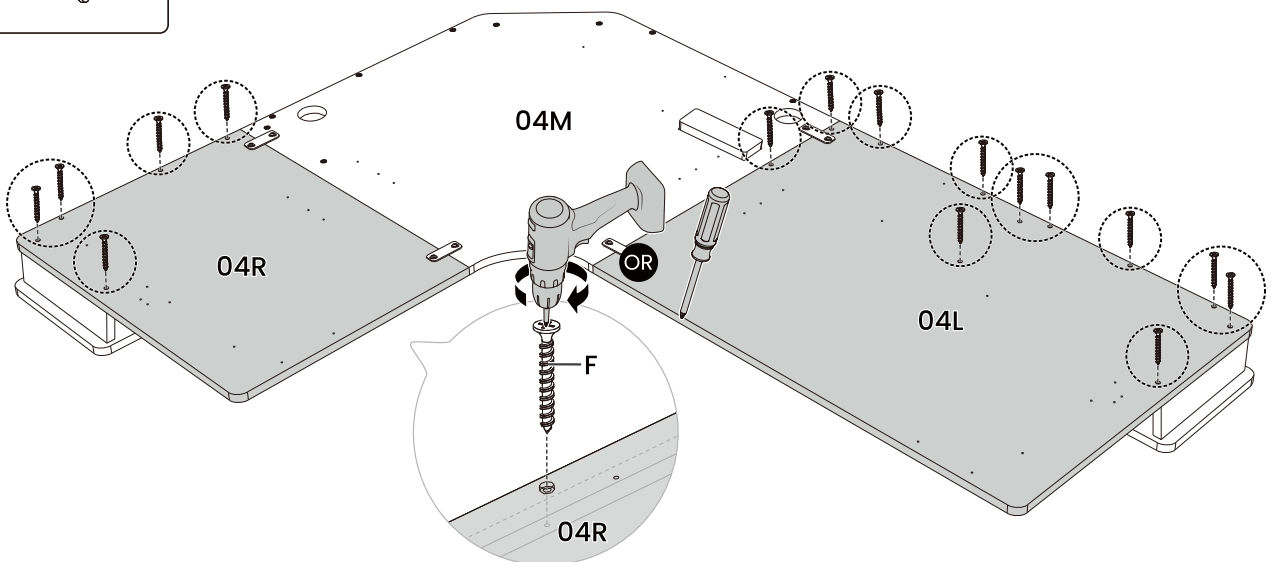
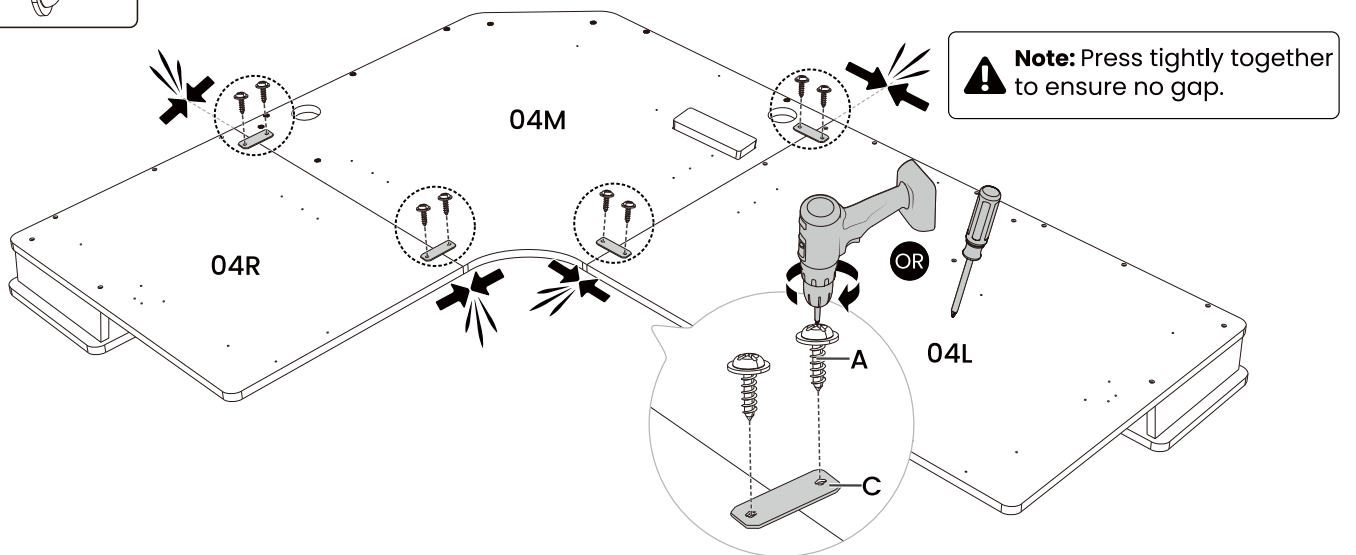
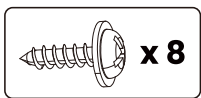
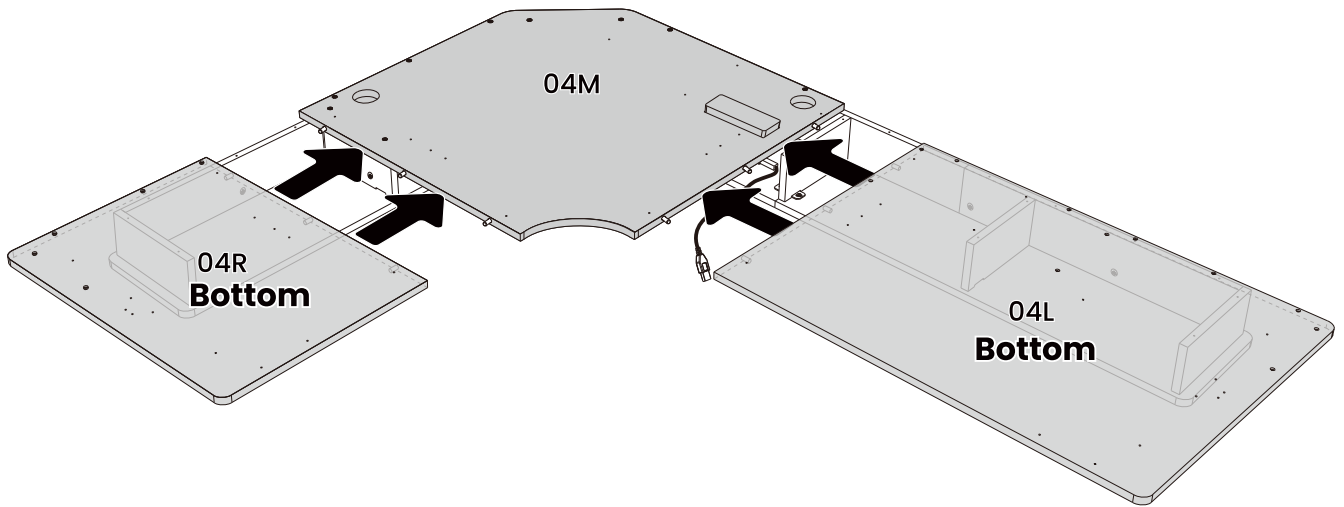


• Top



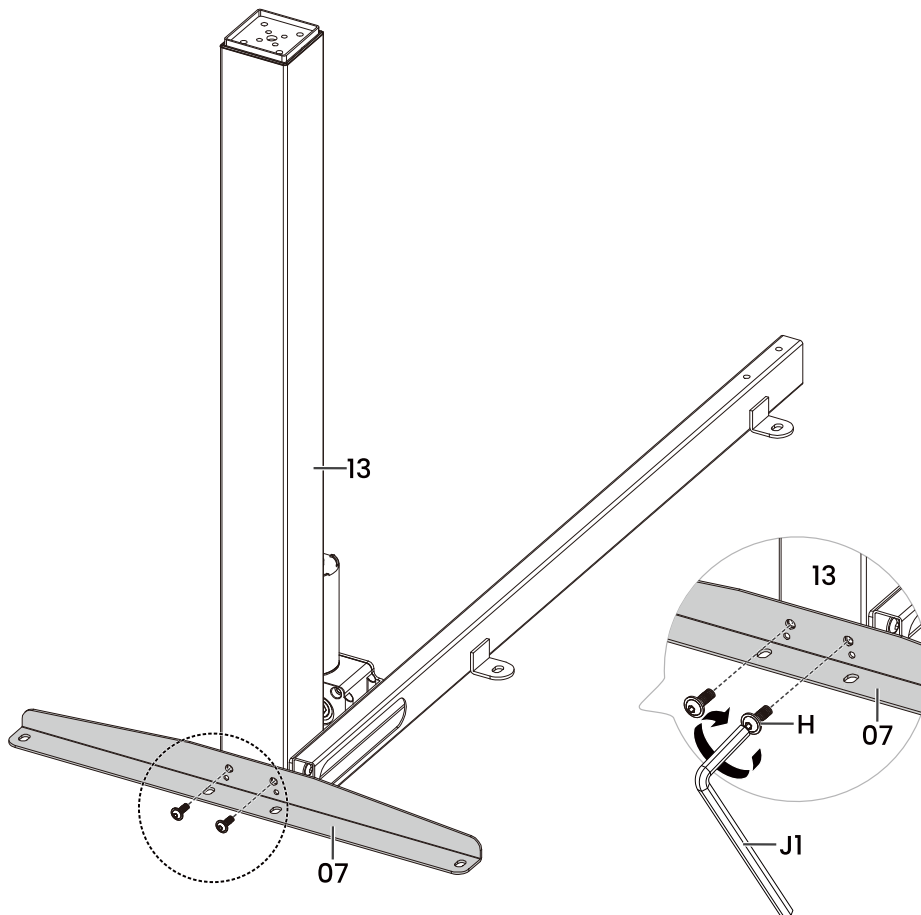
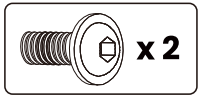
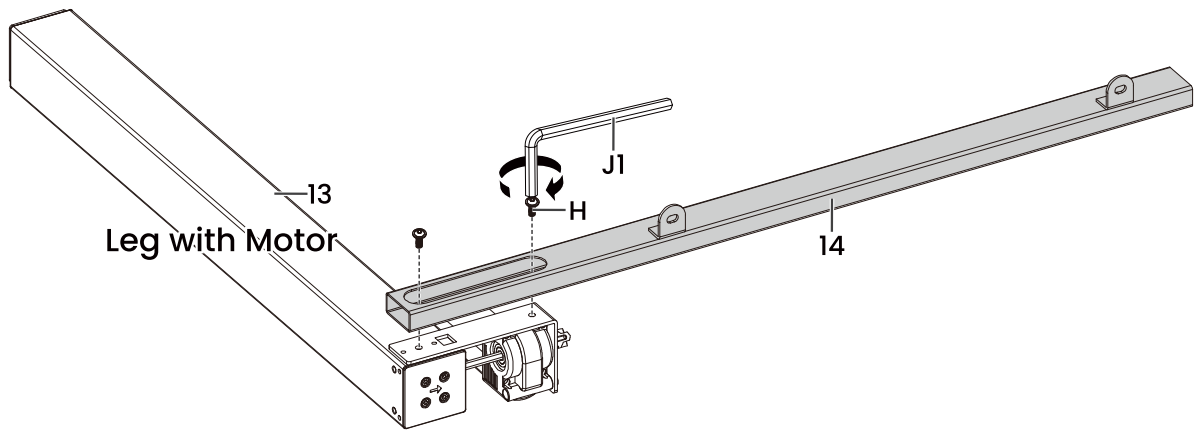
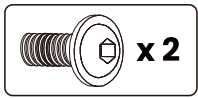
Tip: Use a box to support before installation.



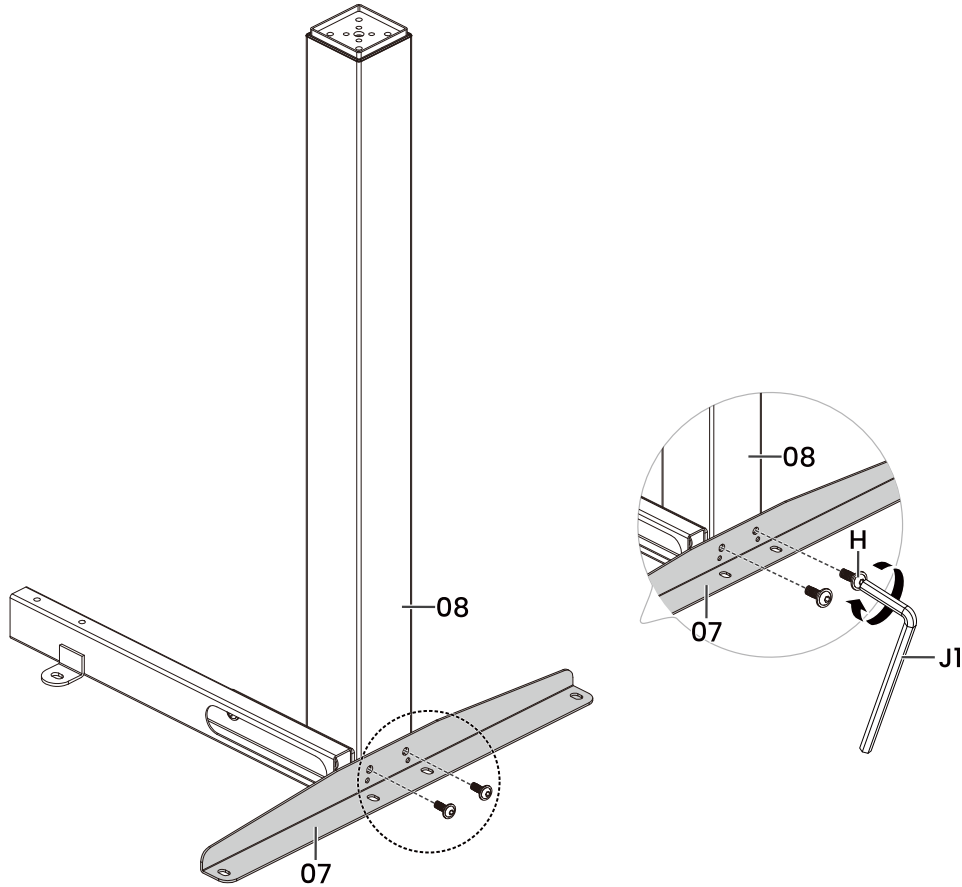
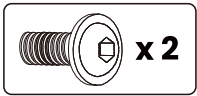
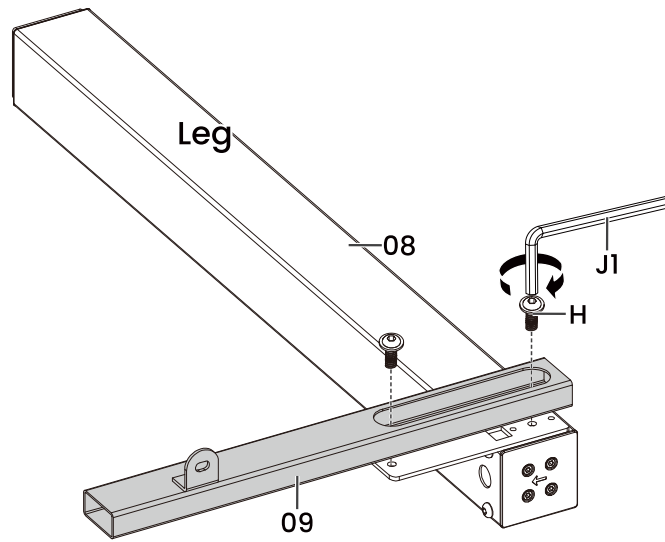
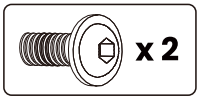


Step 2 Assembling the Leg Sections

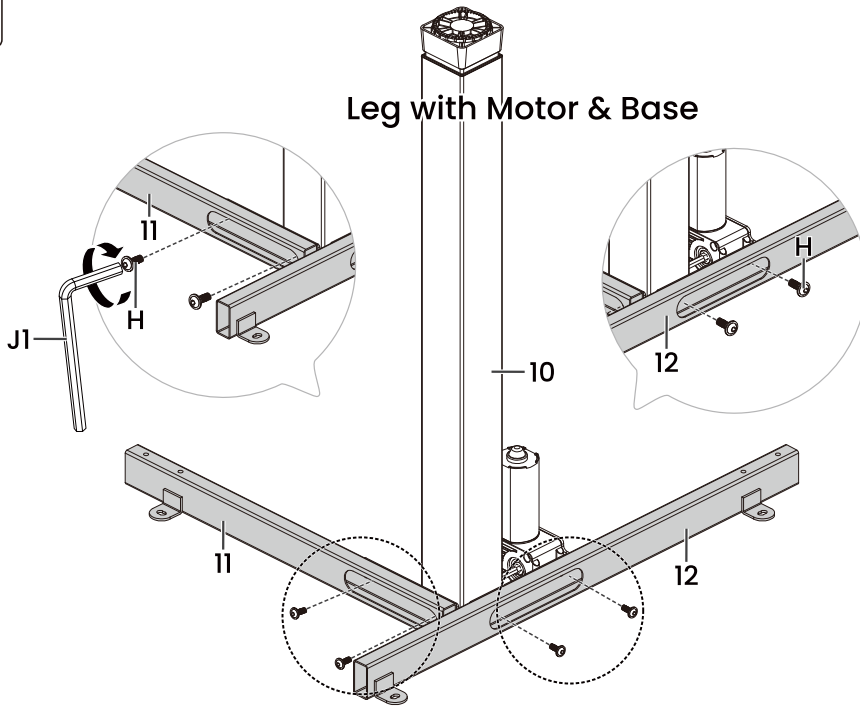
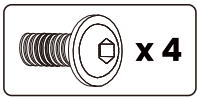
Assemble the end leg section.



Assemble the other end leg section.

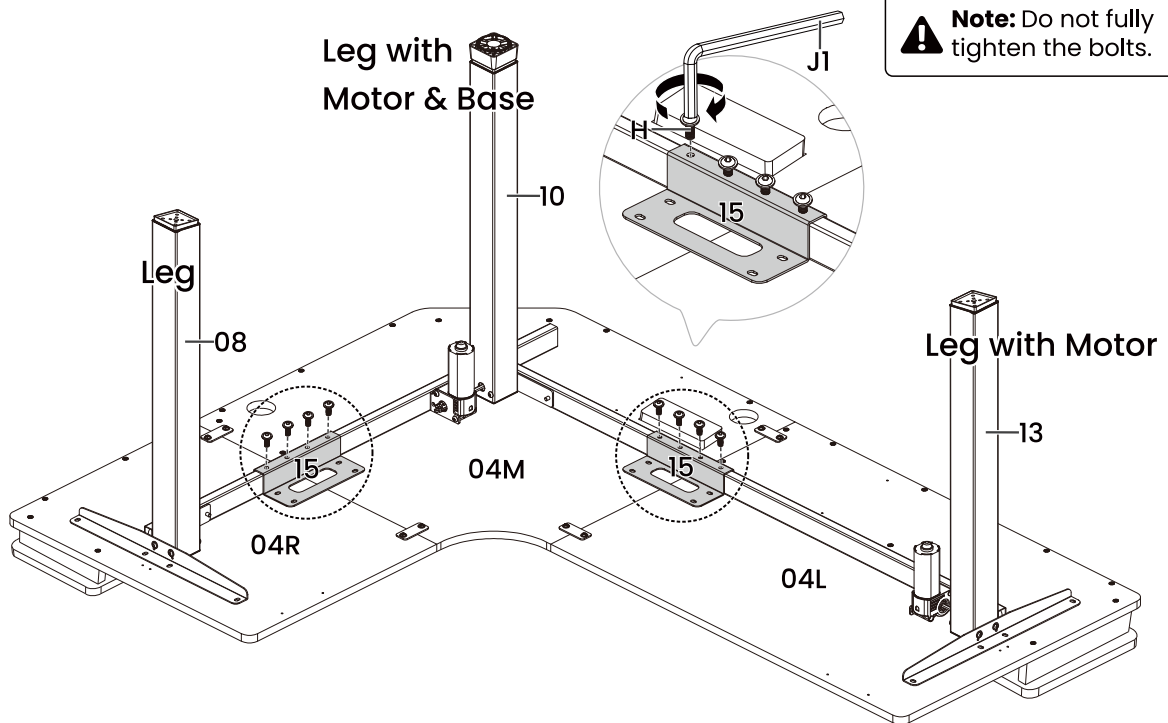
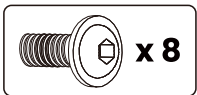


Assemble the middle leg section.





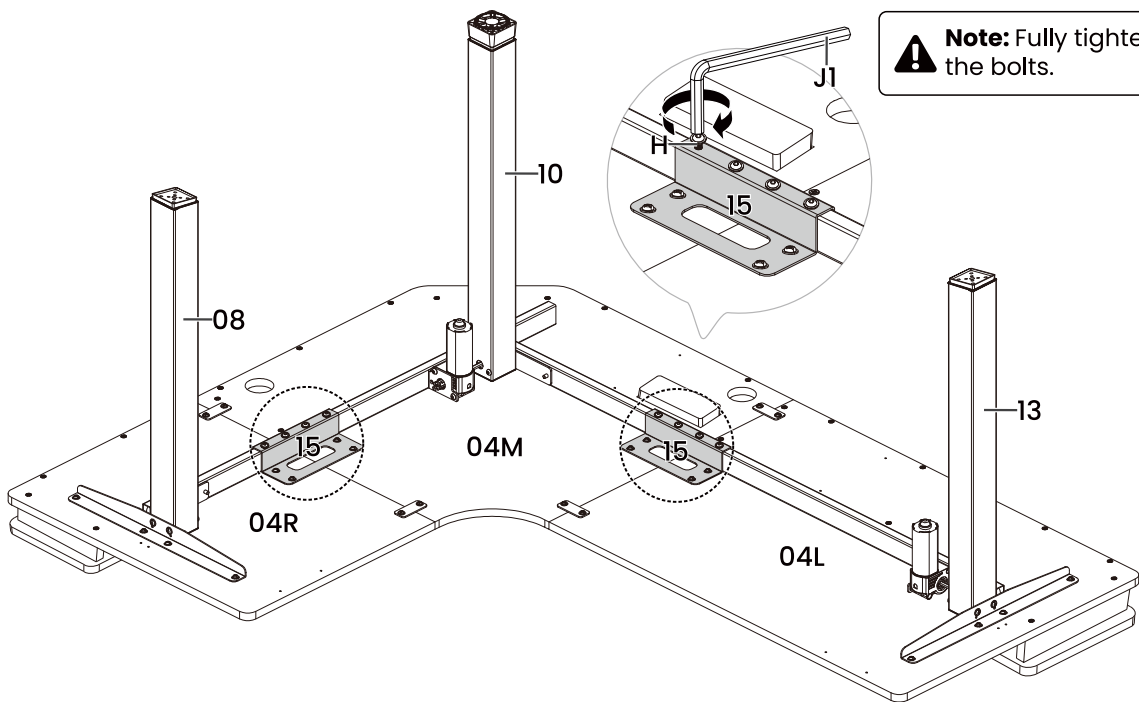
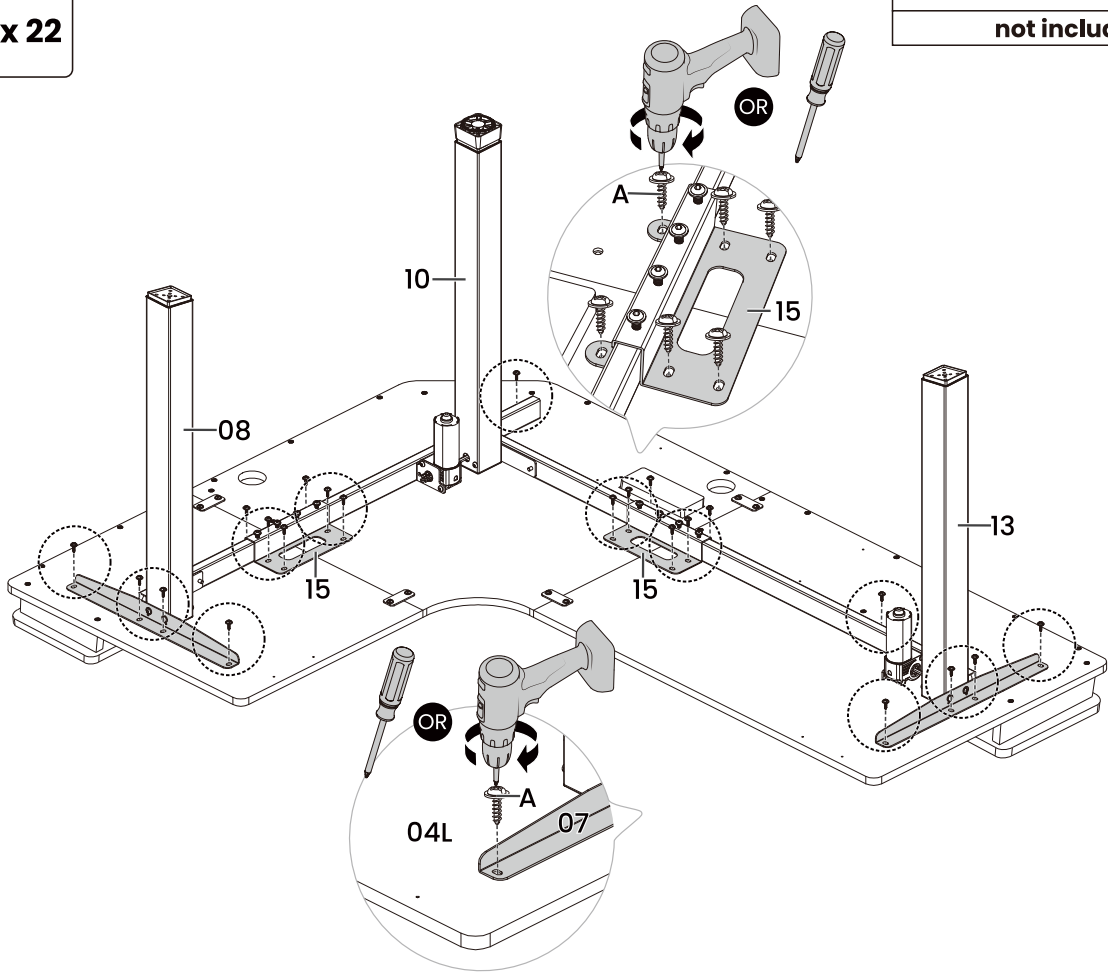
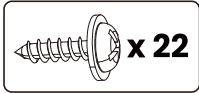
Step 3 Attaching the Frame to the Desktop

Position the leg sections on the desktop, then connect them together.

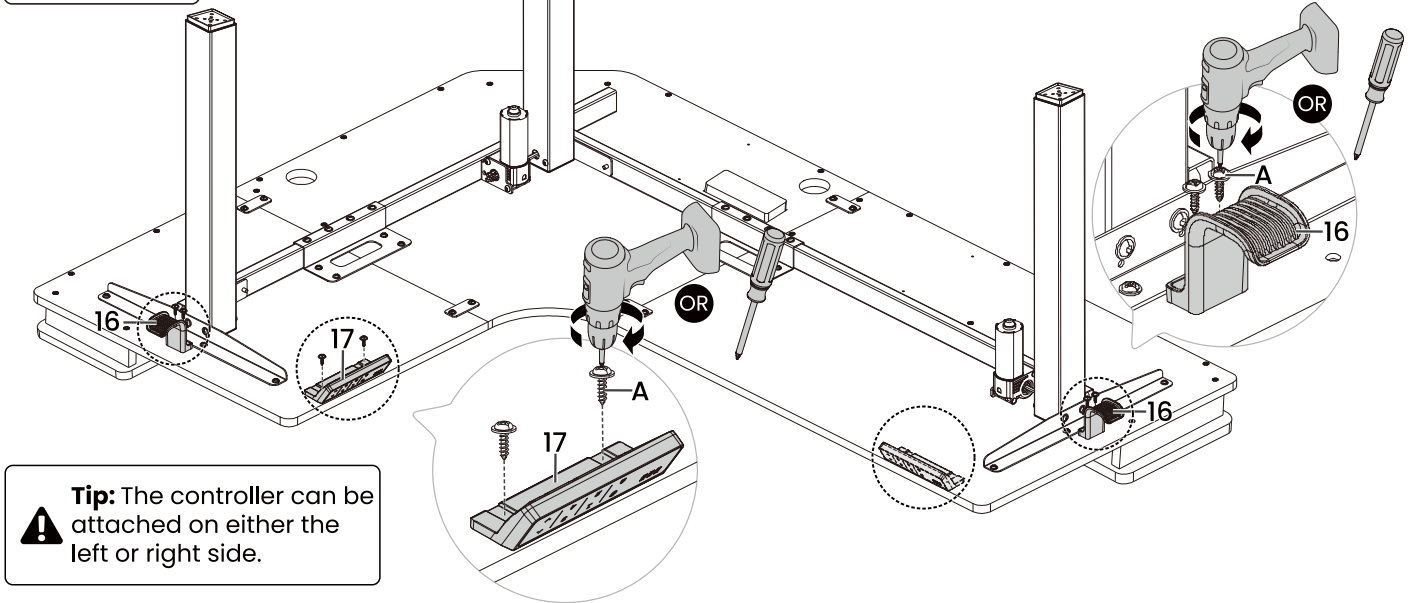
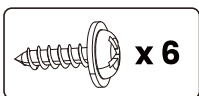


Align with the pre-drilled holes, then secure the frame to the desktop.

Drill with suitable torque and speed  OR  **not included**

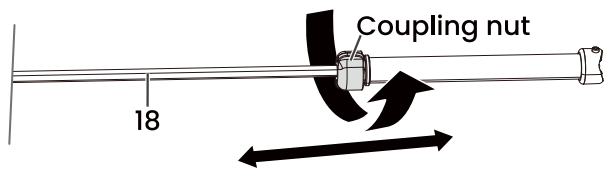


Note: Fully tighten the bolts.

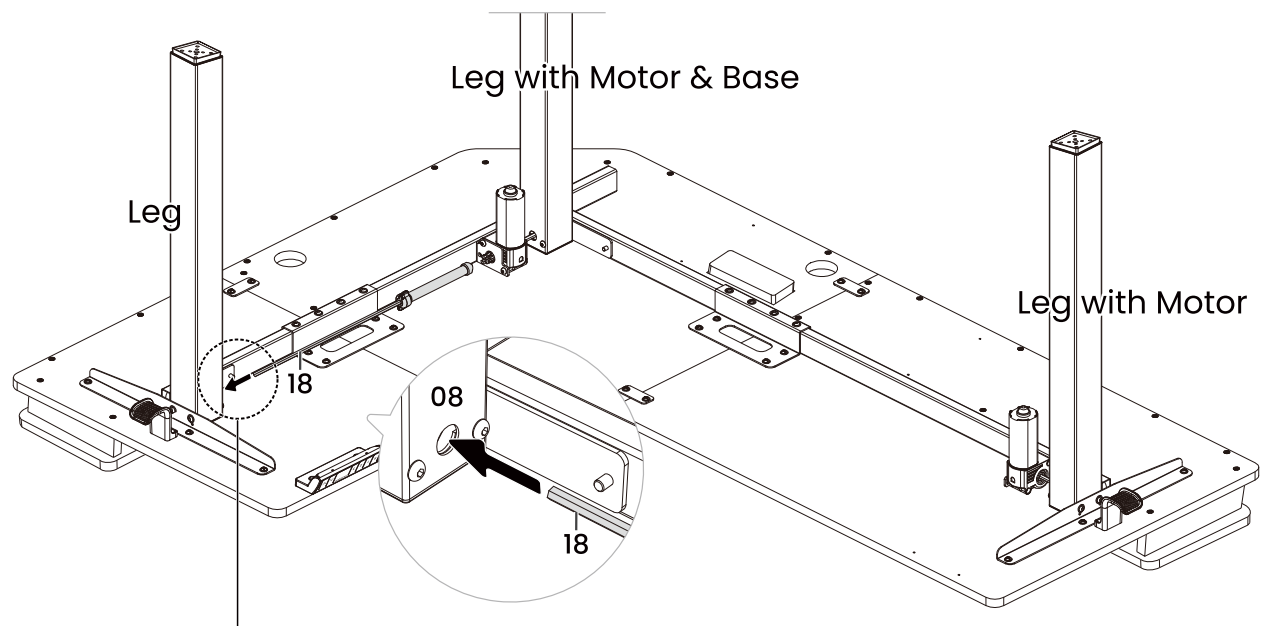


Tip: The controller can be attached on either the left or right side.

Loosen the coupling nut to adjust the rod length.

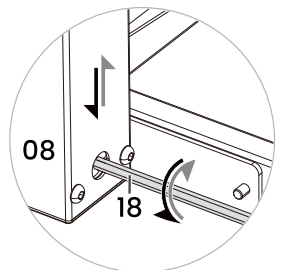


Fully insert the transmission rod into the leg.

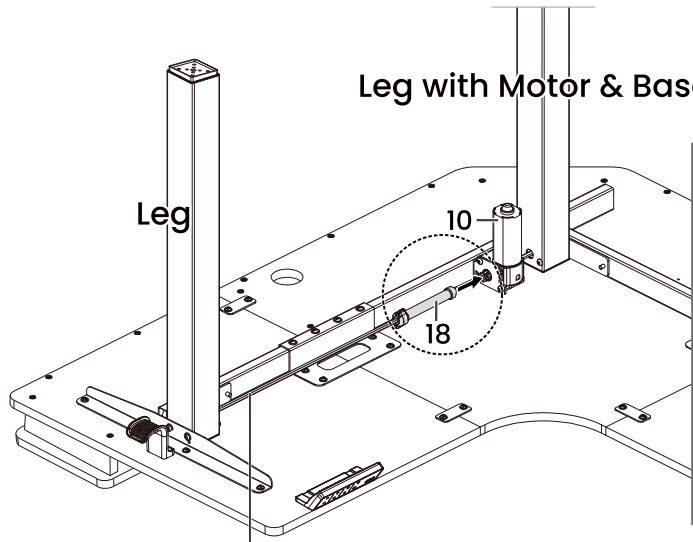
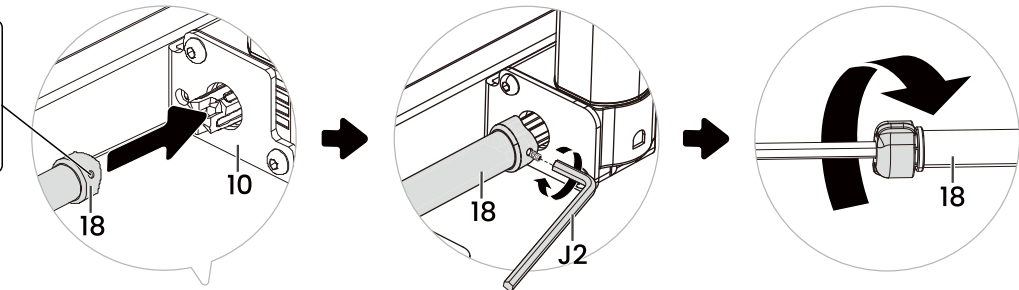


Adjust uneven desk legs if needed:

Measure the heights of the leg and leg with motor to see if they are set at the same level. If not, turn the rod to adjust the leg until it's level with the leg with motor. Turn the rod clockwise to raise the leg or counter-clockwise to lower it.



Note: Make sure the set screw faces out.

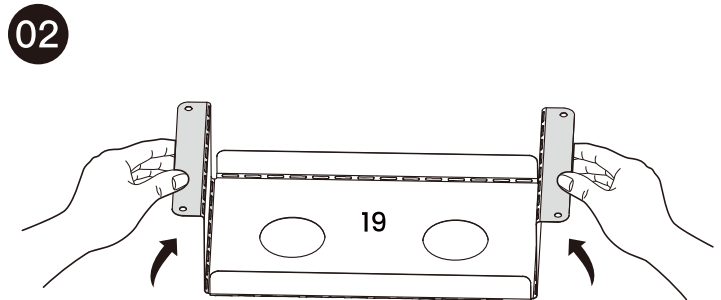
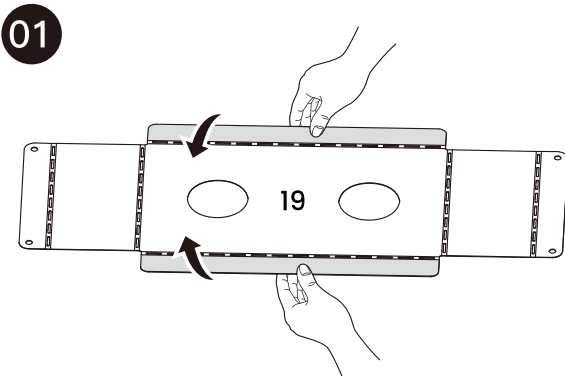


Connect the rod's other end to the motor drive shaft on the leg with motor & base, then tighten the set screw and coupling nut to secure.

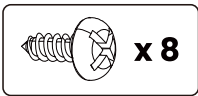
Note: Ensure the transmission rod is properly inserted into the hole in the leg.

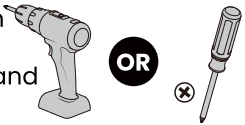
Step 4 Attaching the Cable Management Tray

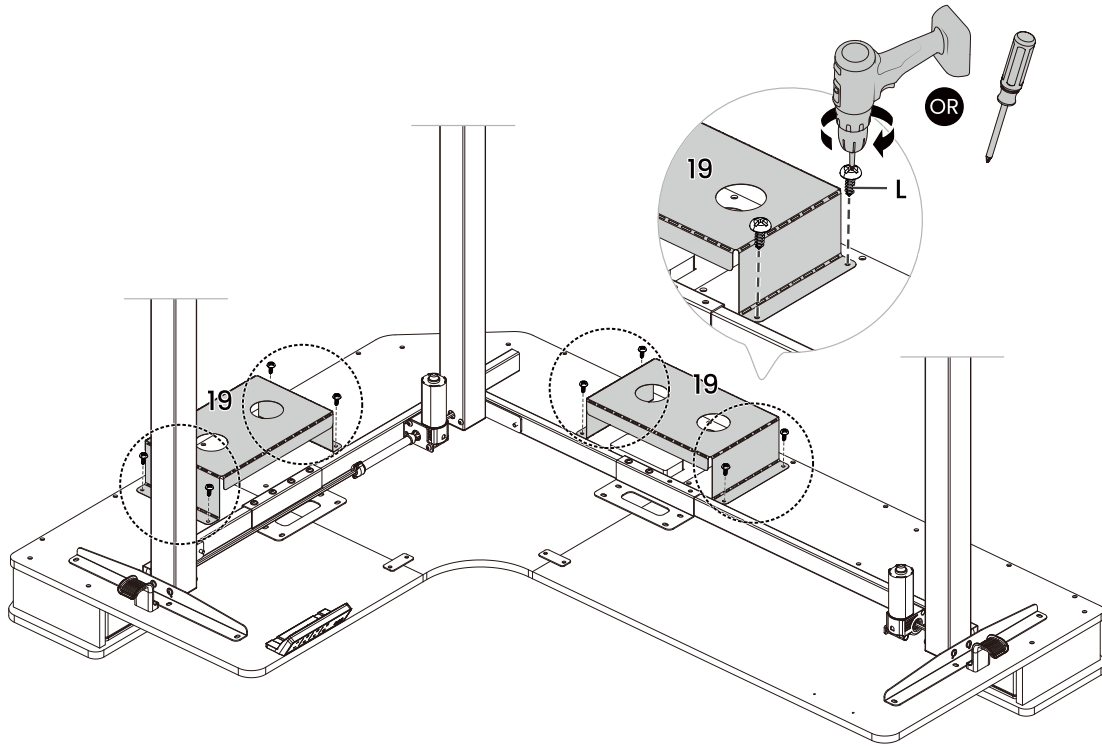
Fold the cable management tray along the dashed line.



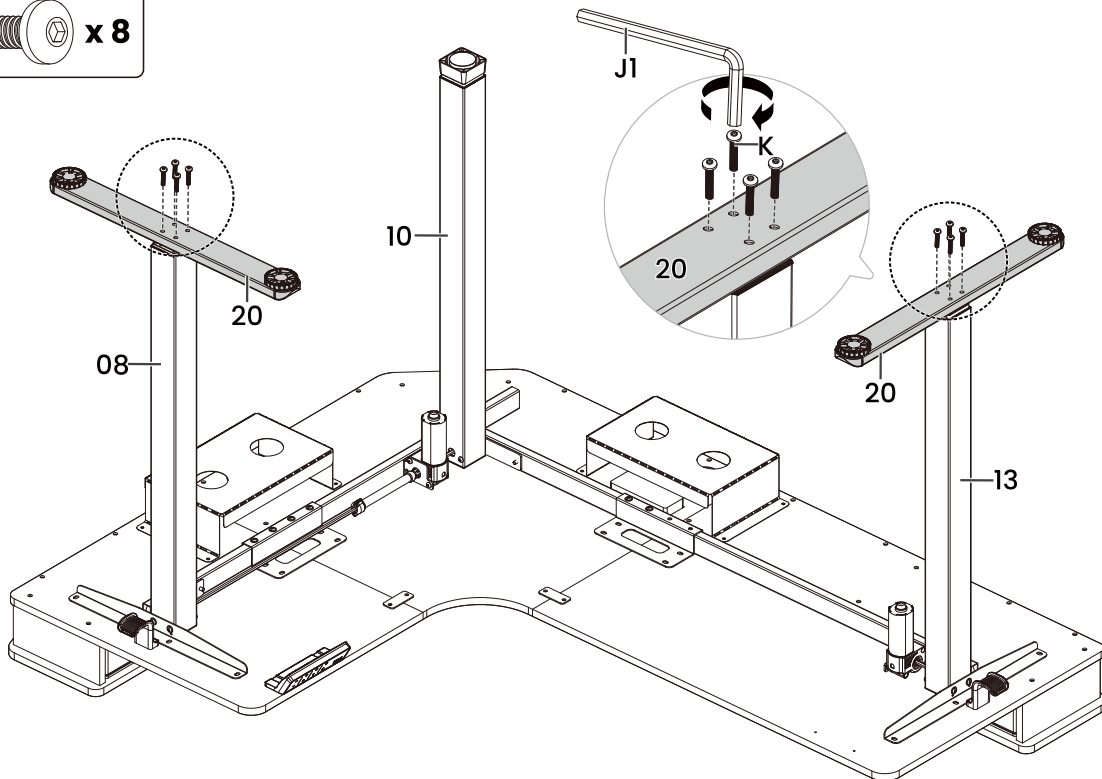
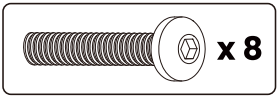
Warning: Be careful not to cut your fingers.





Drill with suitable torque and speed **OR**  **not included**



Step 5 Attaching the Leg Bases



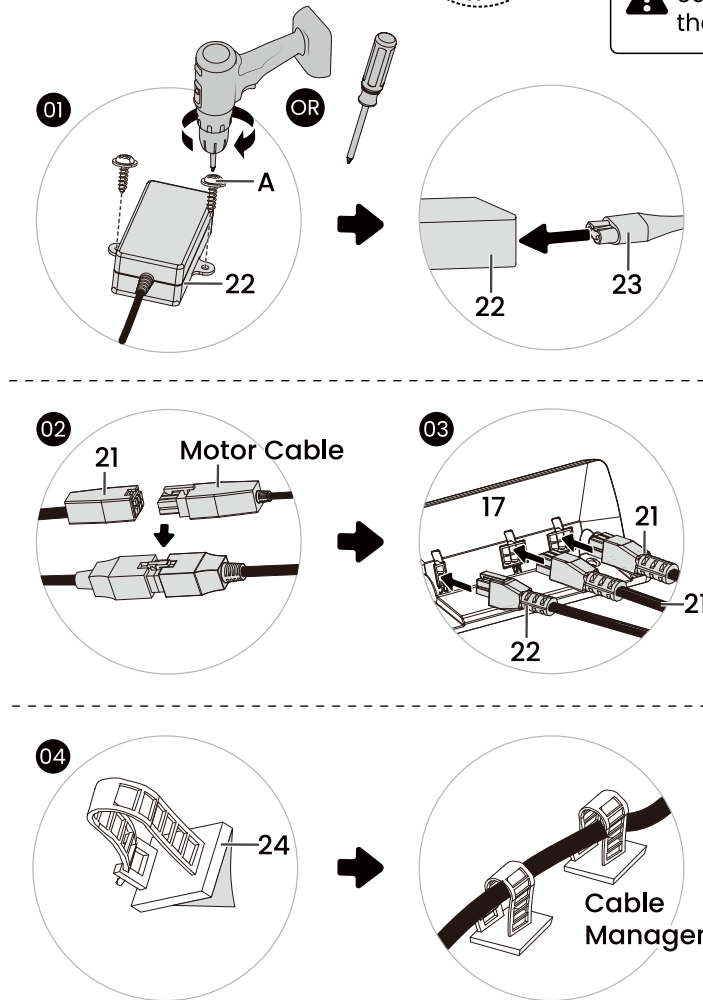
Step 6 Connecting the Cables

Drill with suitable torque and speed  OR  **not included**

Tip: An example of a cable clip layout is indicated below. However, the cable clips can be arranged according to your needs.

Note: There are no pre-drilled holes for the power connection box. Attach it to the desired position.

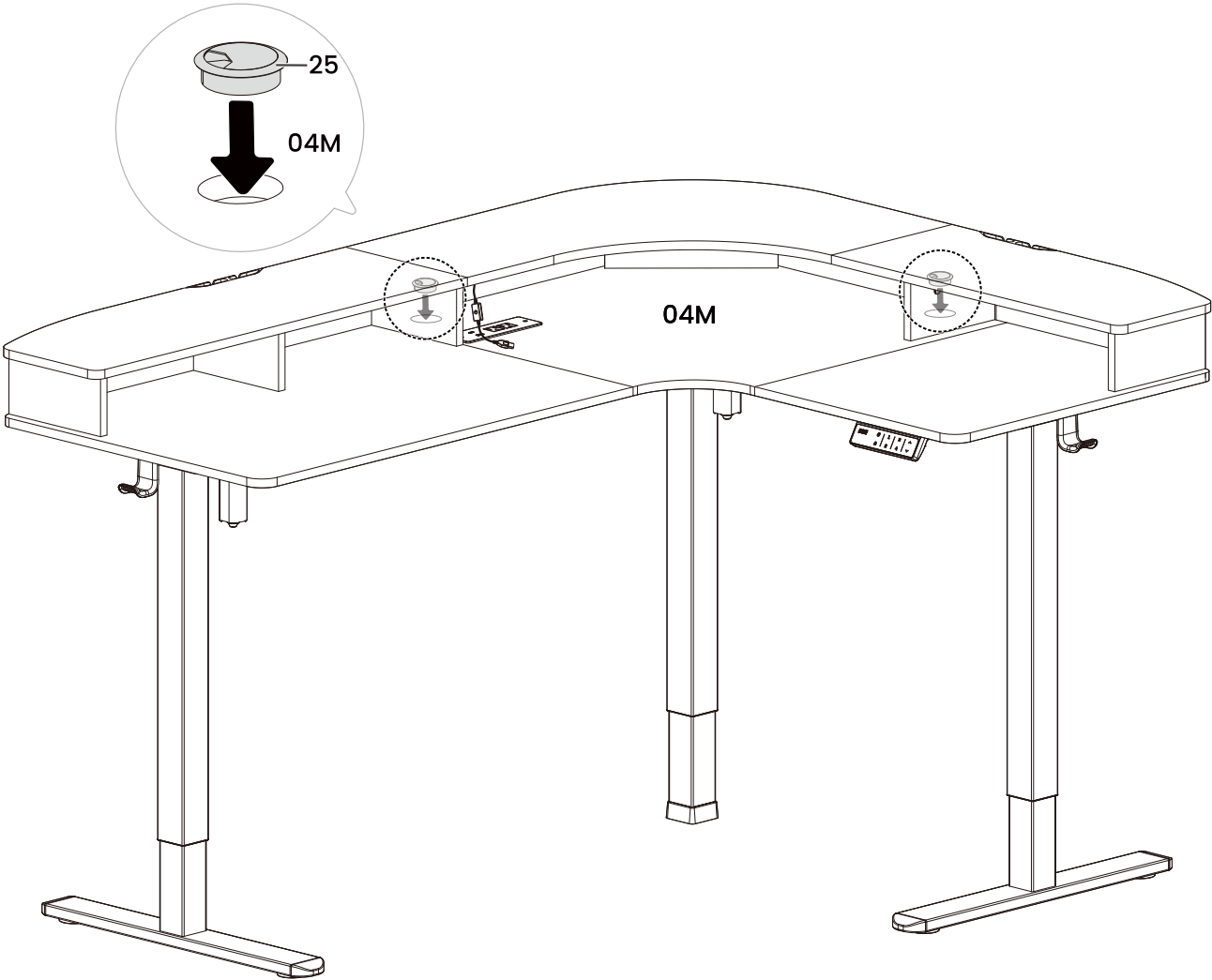
Note: Ensure the cables do not rub the transmission rod.



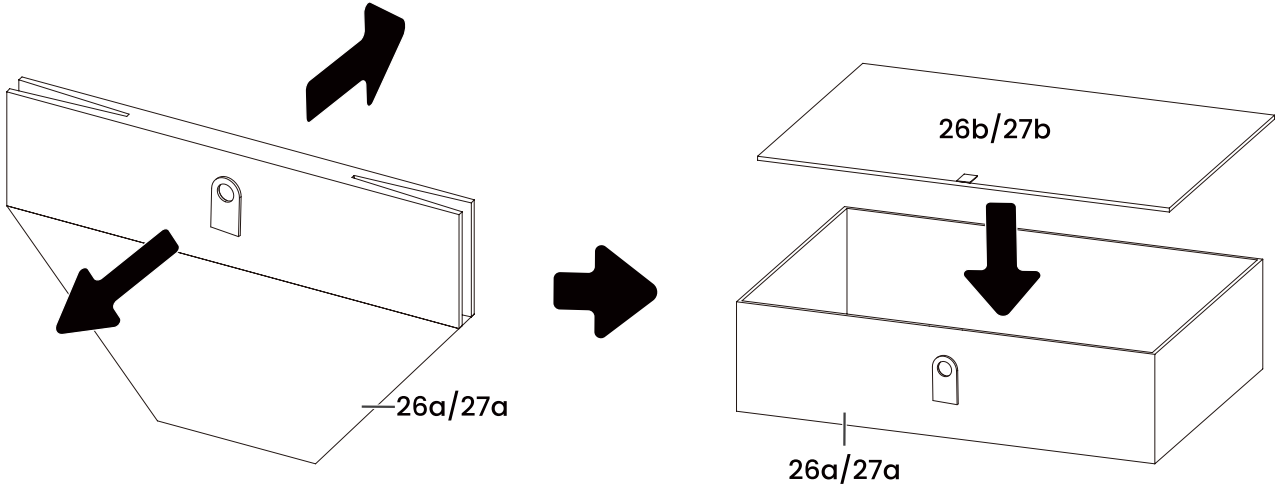
Note: When flipping the desk over, do not allow the controller to collide with the ground, which could cause damage.

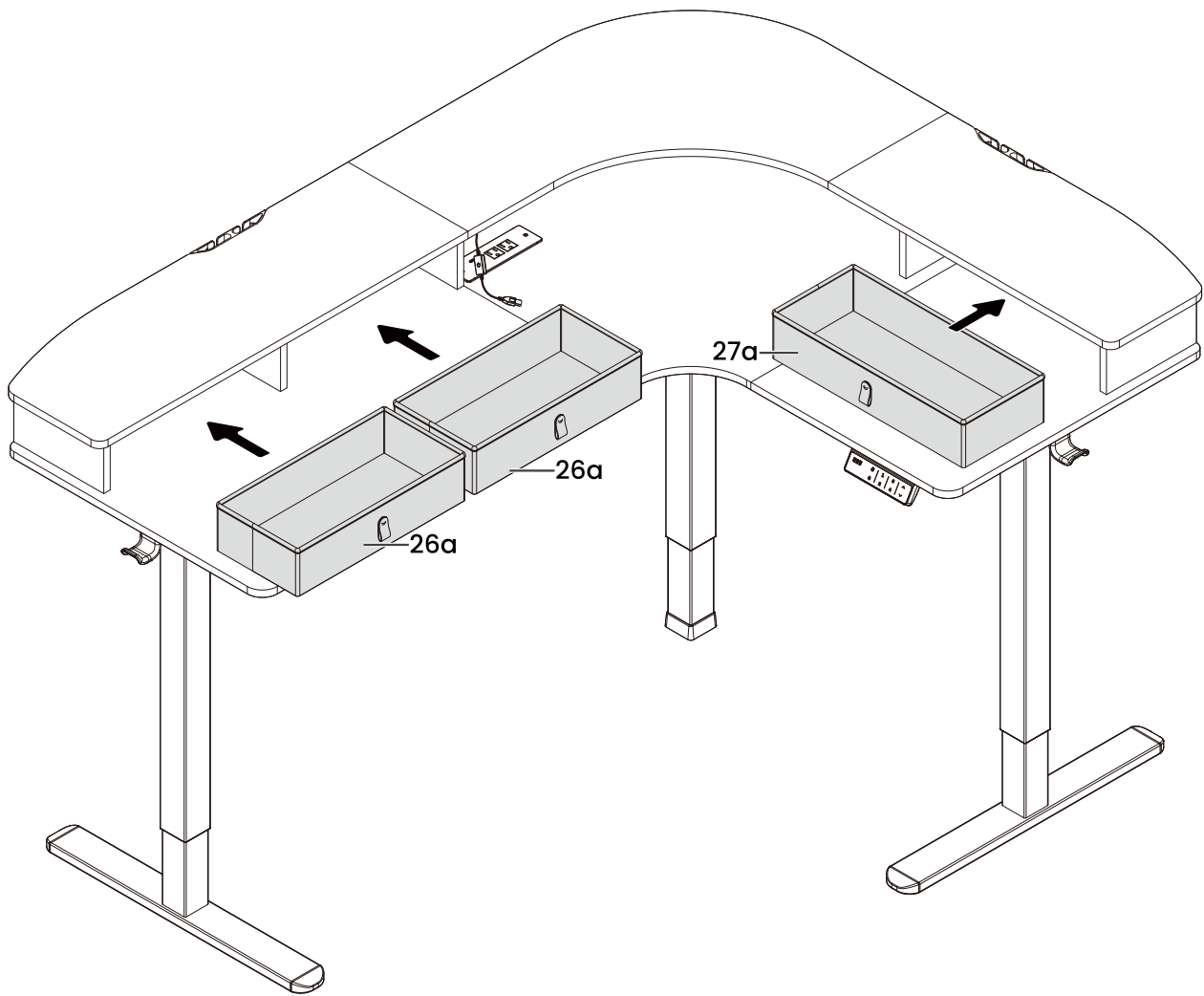
Step 7

Attaching the Grommet Covers and Drawers

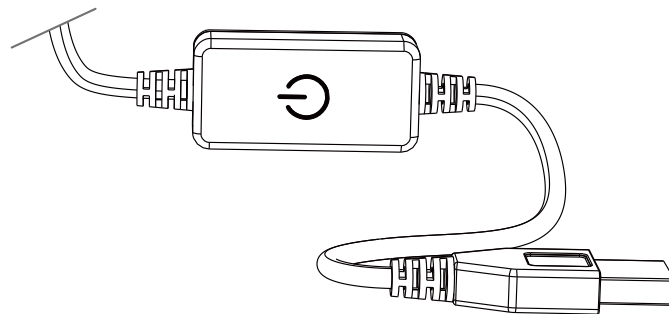




Unfold the fabric drawers, then place the boards on the bottoms.



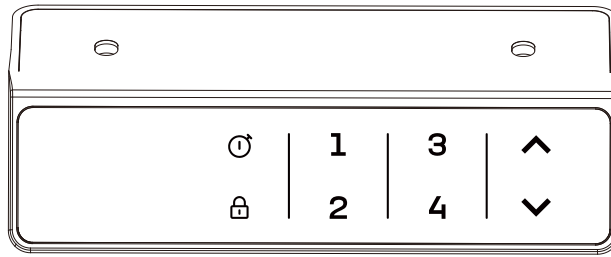


Using the Light Strip



- Short-press the  button to turn the light on or off.
-
- Long press the  button to adjust the brightness of the light.

Using the Controller






 **Tip:** Reset before first use.


Note: Ensure that there are no obstacles when using the desk, that the desktop is not too close to the wall, and that all cables are long enough for the desk to move up and down freely. When the controller screen is off (power-saving mode), press any button to wake it before operation.

Suggestion: Set the most comfortable height when you sit down to **1** and the most comfortable height when you stand up to **2**. The other two presets can be set for another user or for other heights you want to use.


• Sedentary Reminder

Press the  button. '0.5h' will flash on the screen. Press the  or  button to switch between OFF, 0.5h, 1.0h, 1.5h, 2.0h, 2.5h, and 3.0h. Wait for 3 seconds until the timer duration disappears, then setting is complete. When the timer is over, 9 beeps will sound to notify you.

Tip:

1. During the setting procedure, a press on the  button will turn the sedentary reminder off.
2. If the sedentary reminder is on, setting a new timer or changing the desk height will restart the timer.
3. If the sedentary reminder is on, the screen will display ' .' when in power-saving mode.

• Lock

Press and hold the  button for 3 seconds. The screen will display 'LoC,' and the buttons will be disabled. Repeat to turn the lock off.

Tip:

1. The sedentary reminder should still work even with the lock on.
2. The lock setting remains after a power loss.

• Save Current Height Setting

Four heights can be saved. Press and hold the **1**, **2**, **3**, or **4** button for 5 seconds until 'H1,' 'H2,' 'H3,' or 'H4' displays and flashes. The screen will display the current height, which will be saved to that button.

• Select Height Setting 1

Press the **1** button. The desk will move to the height that was previously set for that button.

• Select Height Setting 2

Press the **2** button. The desk will move to the height that was previously set for that button.

• Select Height Setting 3

Press the **3** button. The desk will move to the height that was previously set for that button.

• Select Height Setting 4

Press the **4** button. The desk will move to the height that was previously set for that button.

• Raise the Desk

Press the **▲** button to raise the desk continuously until it reaches the highest position of 46.5" (118cm) or the button is released.

• Lower the Desk

Press the **▼** button to lower the desk continuously until it reaches the lowest position of 28.3" (72cm) or the button is released.

Settings

Reset

'RES' displays as **RES** on the screen.

1. Press and hold the **▼** button until the desk goes down to its lowest level, then release the button.
2. Press and hold the **▼** button for 3-5 seconds, and the screen will display 'RES.' Continue holding until the desk goes down to its lowest level and comes back up slightly. Reset is complete.

Protection Mode Error Codes

Hot	Overheating Protection: When the motor has been working continuously for 5 minutes, it will stop operating to prevent damage from overheating. Wait for at least 15-18 minutes before making any further height adjustment.
E10	Sensor Malfunction Warning: Motor safety sensor cannot be detected. Power off, check the connection between both motors and the controller, then power back on again. If error code persists, follow the reset procedure detailed above.
E20	Overload Warning: Max load exceeded. If raising the desk, remove all items from the desk and try again. If lowering the desk, power off, remove all items from the desk, power back on, then try again. If error code persists, follow the reset procedure detailed above.
E02	Operation Status Warning: The desk stops moving if vibration, impact, or incline are detected. If this detection is incorrect, follow the reset procedure detailed above before continuing use.
E32	Overvoltage Protection: Input voltage too high. If the correct AC adapter is being used, power off the desk, check the connection between power and the controller, then power on again.
E31	Undervoltage Protection: Input voltage too low. If the correct AC adapter is being used, power off the desk, check the connection between power and the controller, then power on again.
E60	Step Loss Protection: Power off the desk, check the connection between both motors and the controller, then power on again. If error code persists, follow the reset procedure detailed above.
-	Cable Disconnection Warning: Check motor and controller cable connections. Normal operation should return once all connectors are properly connected.

**Thank you for
choosing this product!**

