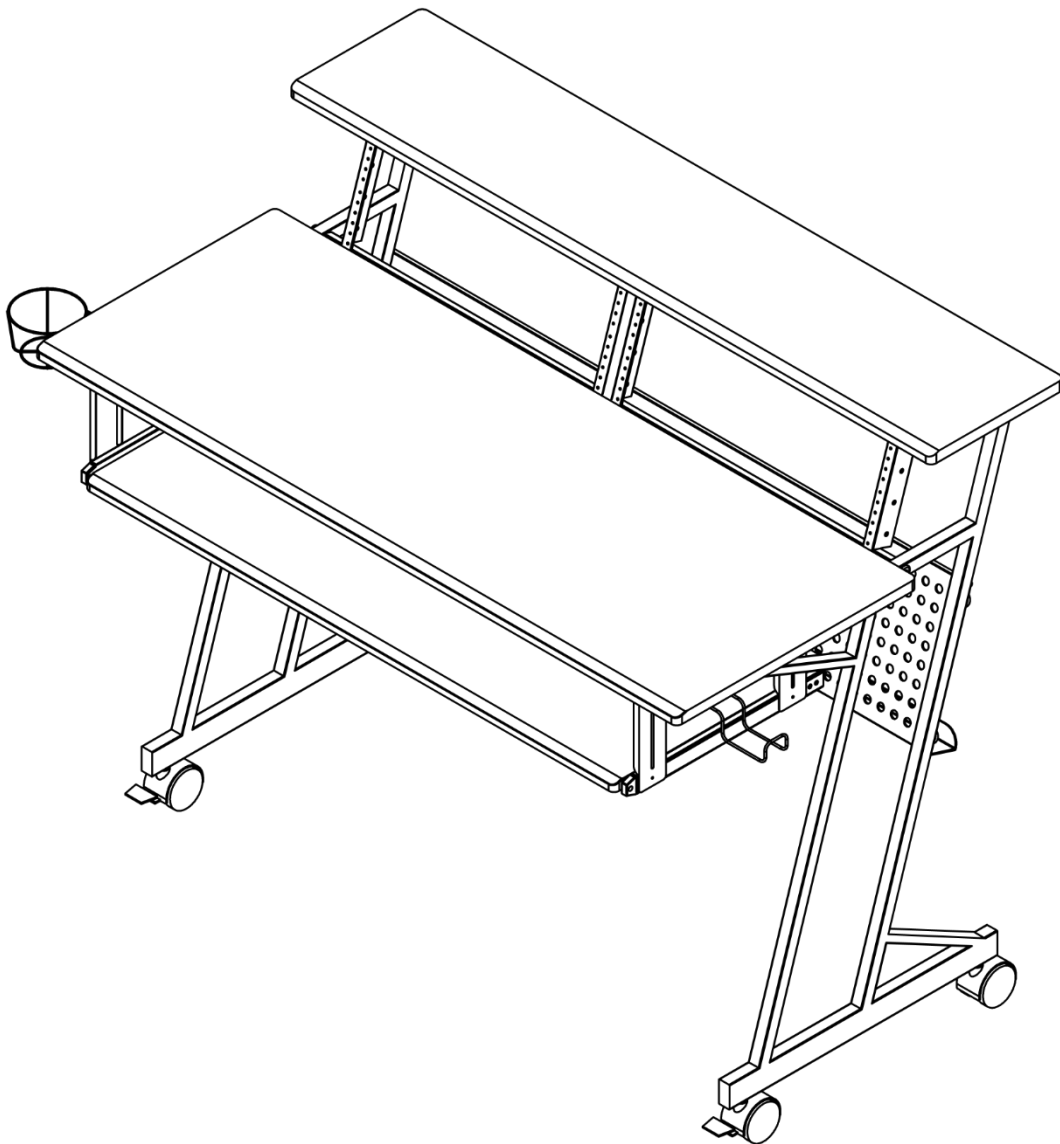
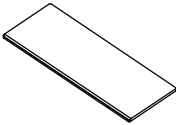

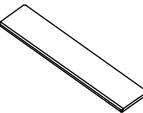
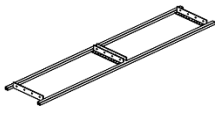
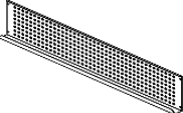




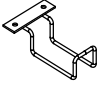




ASSEMBLY INSTRUCTION


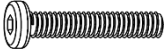

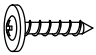
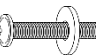

Thank you for purchasing the quality product. Be sure to check all packing material carefully for small parts which may have come loose inside the carton during shipment. Separate, identify and count all parts and metal hardware. Compare with all parts list to be sure all parts are present. If any part(s) are missing or damaged, please contact your local furniture dealer. For efficient and speedy service, please indicate the model number and code letter of part(s) needed.



** Do not fully tighten screws until fully assembled **

COMPONENT PARTS		
DESCRIPTION	PART NAME	QTY(PCS)
①	DESKTOP 	1
②	SIDE FRAME 	2
③	TOP SHELF 	1
④	TOP FRAME(BACK) 	1
⑤	REAR PANEL 	1
⑥	SUPPORT BAR 	1
⑦	KEYBOARD SLIDER SET 	1
⑧	KEYBOARD SHELF 	1
⑨	CUP HOLDER 	1
⑩	HEADSET HOLDER 	1
⑪	LOCKING CASTER 	2
⑫	NON-LOCKING CASTER 	2

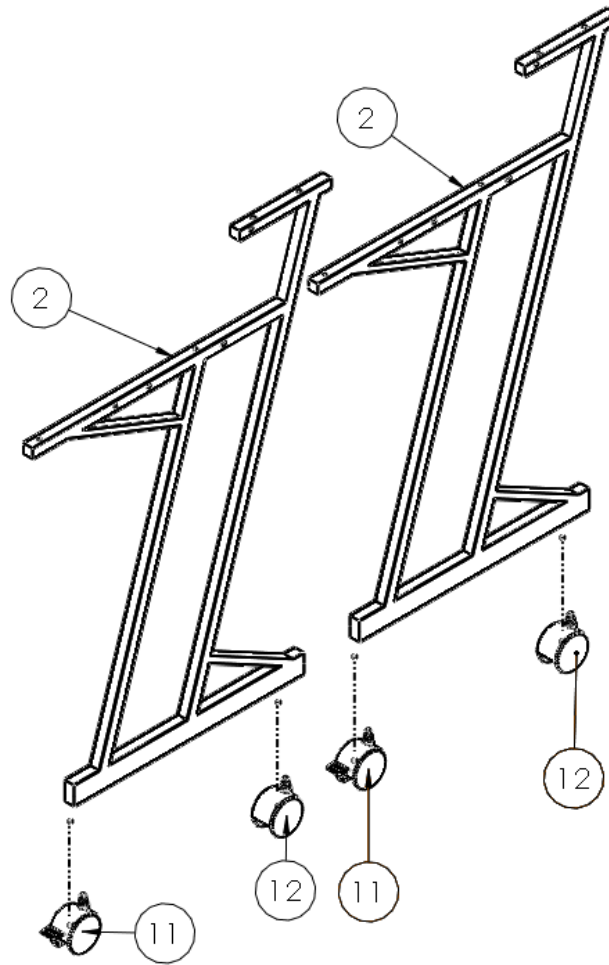
HARDWARE REQUIRED

(A)		ALLEN BOLT	M6x38MM	6	PCS
(B)		ALLEN BOLT	M6x28MM	8	PCS
(C)		ALLEN BOLT	M6x12MM	8	PCS
(D)		ALLEN SCREW	M4x12MM	8	PCS
(E)		PHILLIPS SCREW WITH WASHER	M5x19MM	24	PCS
(F)		ALLEN WRENCH		1	PCS

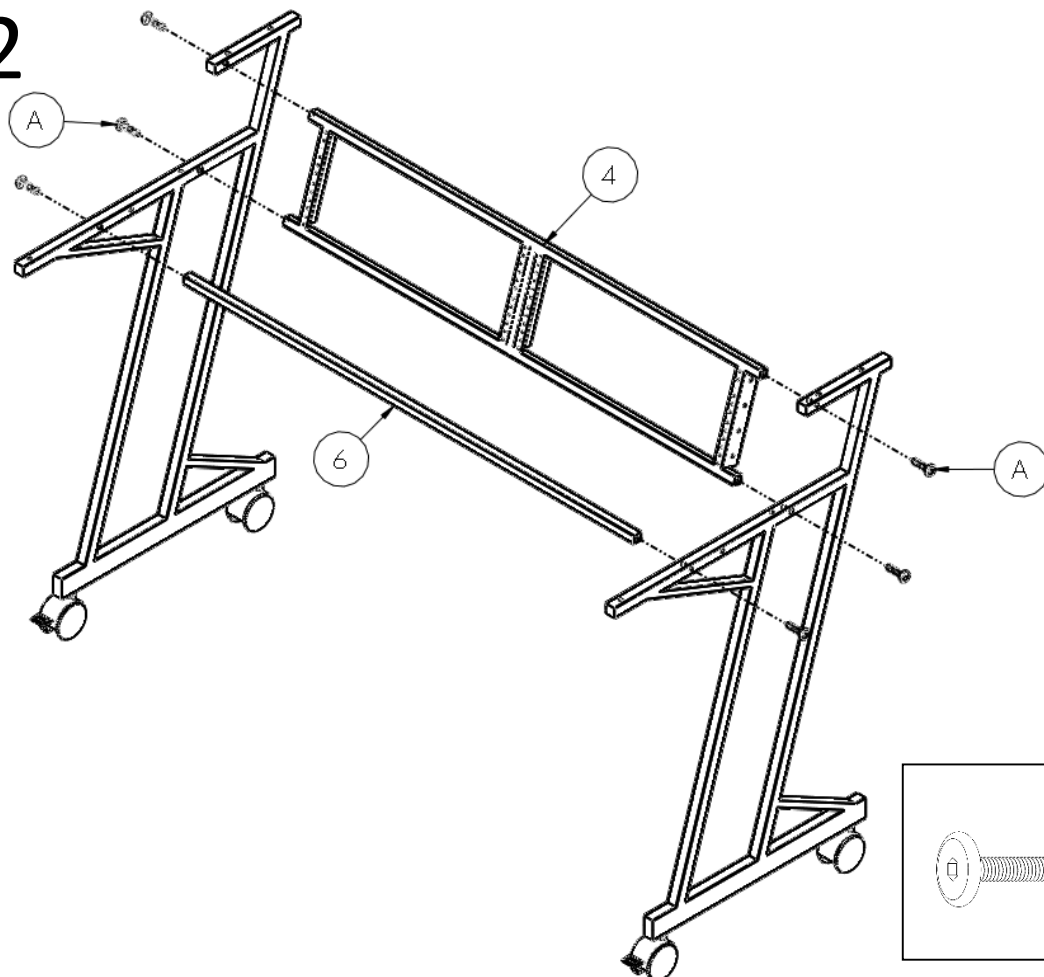
Attention

***Some number parts listed on the instruction sheet may not be in parts bag as they may already be assembled. Carefully check parts and packing materials prior to ordering replacements.

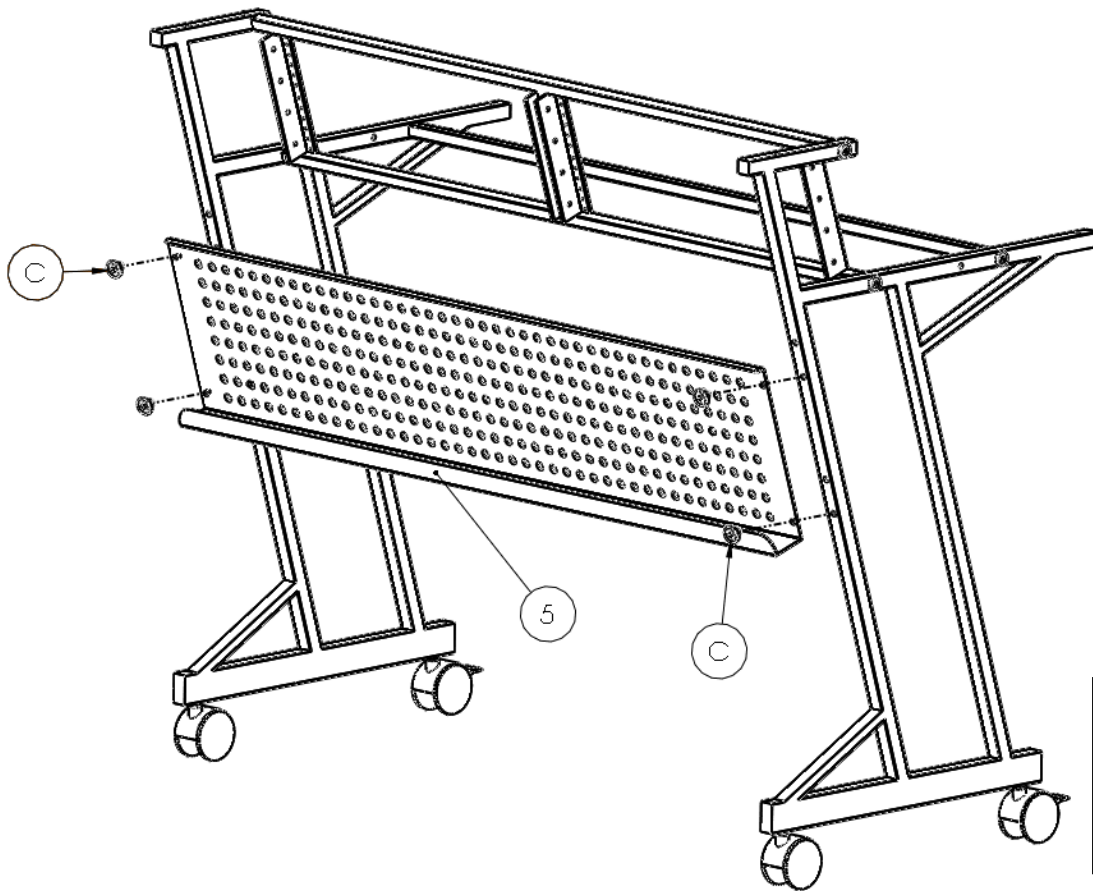
STEP.1



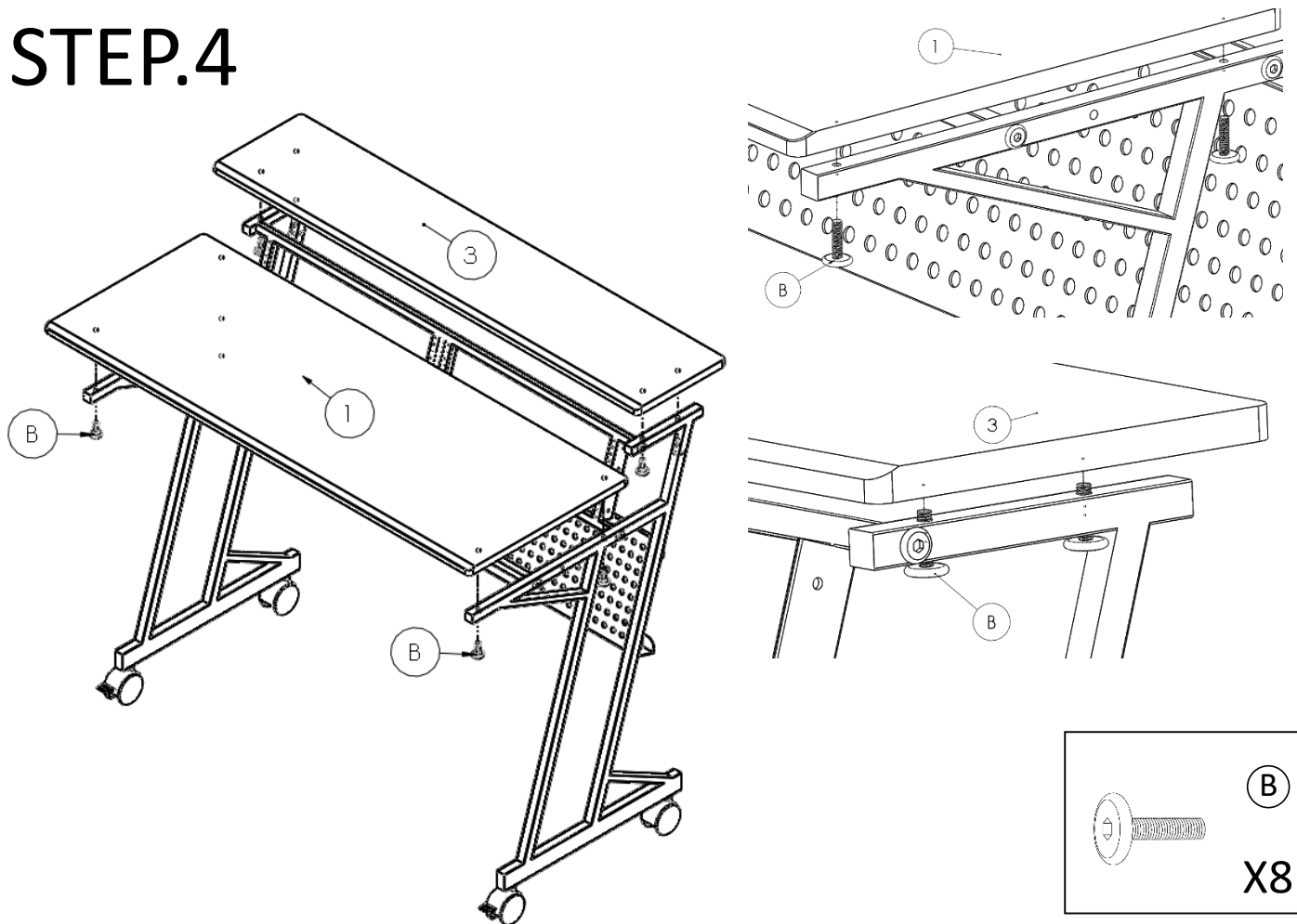
STEP.2



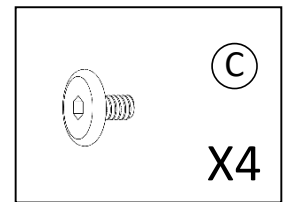
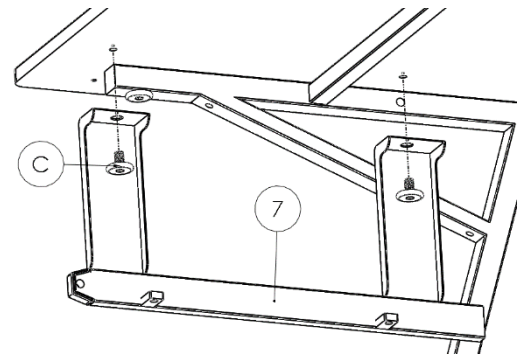
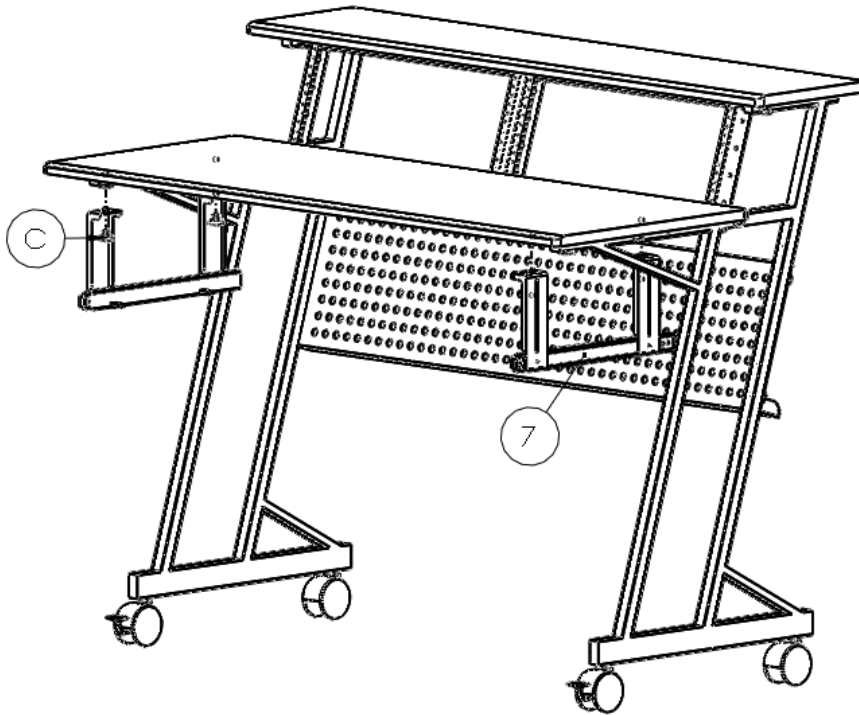
STEP.3



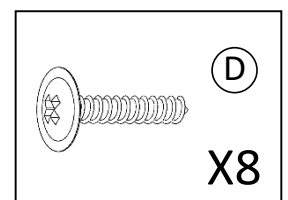
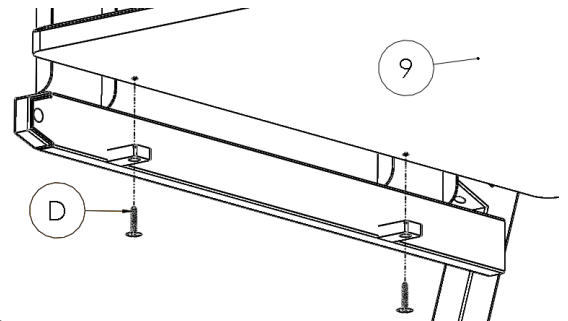
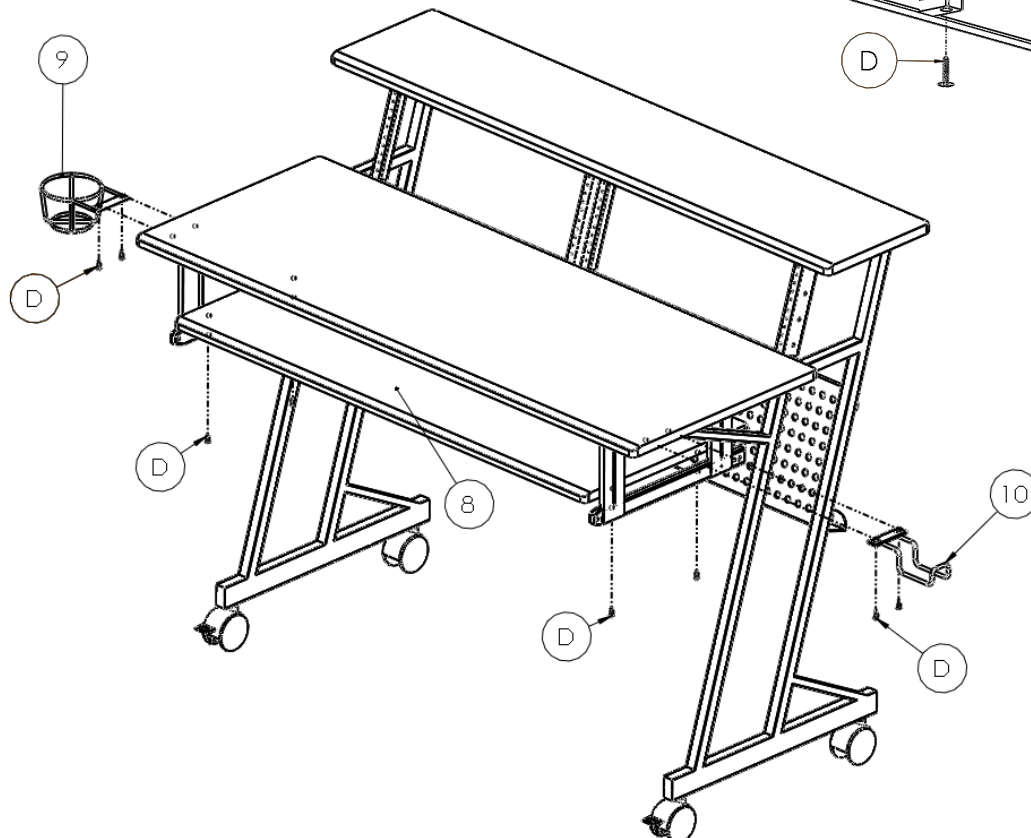
STEP.4



STEP.5



STEP.6



STEP.7

