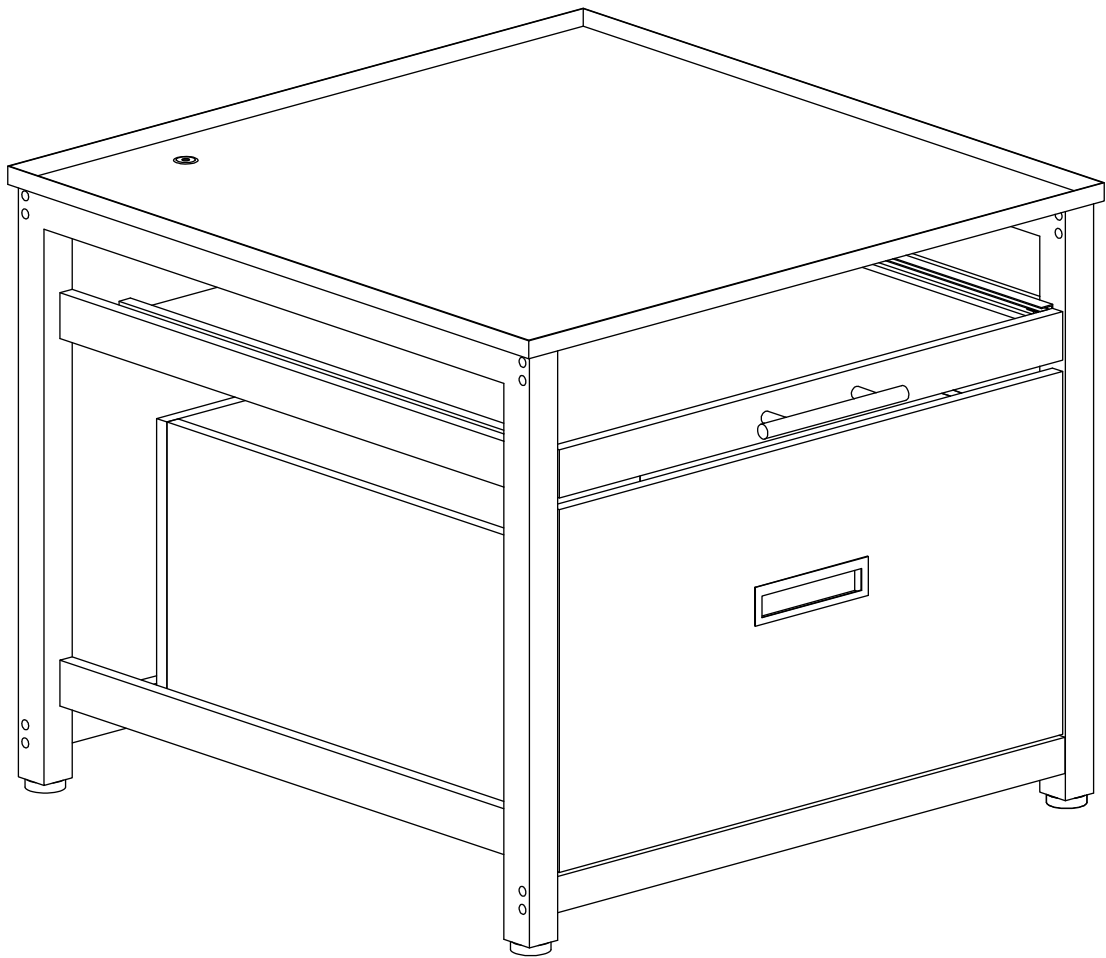
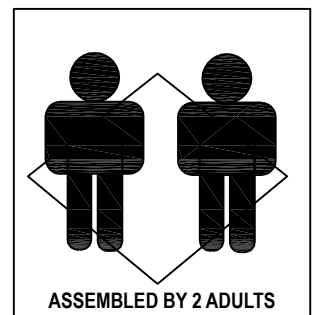


# Assembly Instructions

## HOU 825

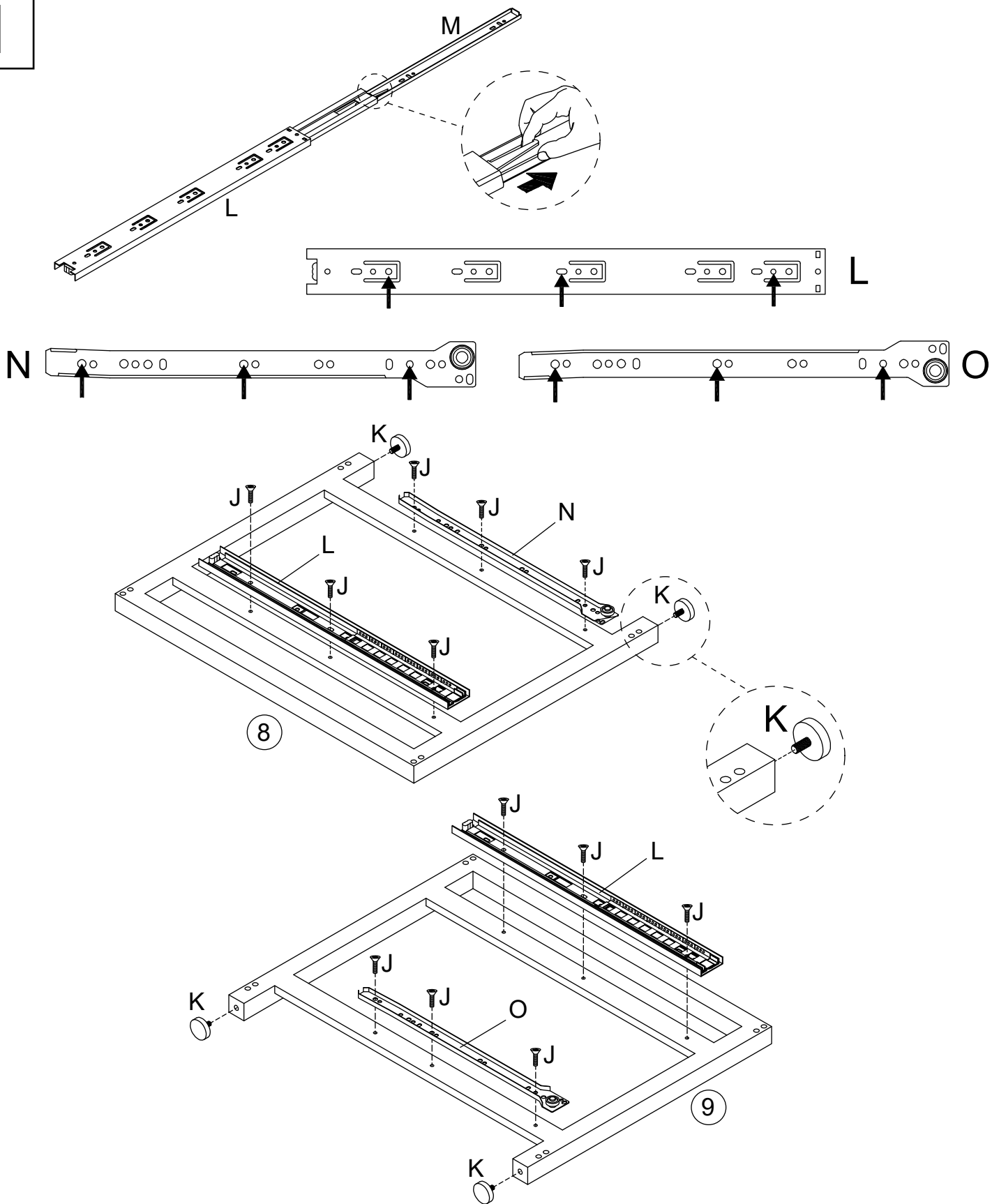


We come with the necessary tools for assembly  
but for faster assembly, a power drill is recommended

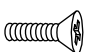

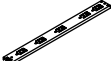






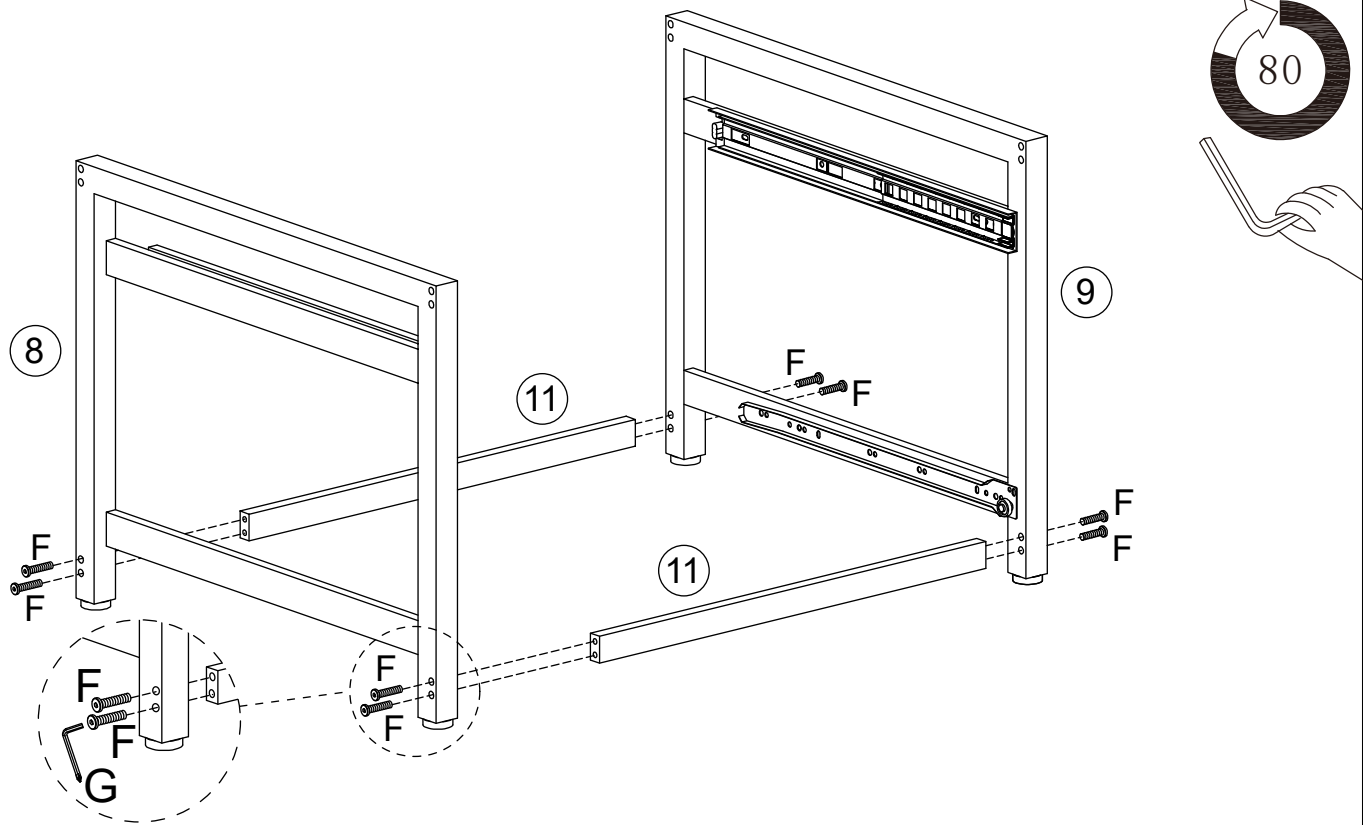
1



Separate Slide Rail set as M and L as shown for further use.  
 Install Slide Rail Part#O and Part#L to Part#9 as shown with screws Jx6.  
 Install Slide Rail Part#N and Part#L to Part#8 as shown with screws Jx6.  
 Attach adjustable feet Kx4 as shown.

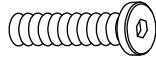

J	×12	K	×4	L	×2	N	×1	O	×1
									
M4×10mm		M8×Ø30mm		L500mm		L450mm		L450mm	

# 2

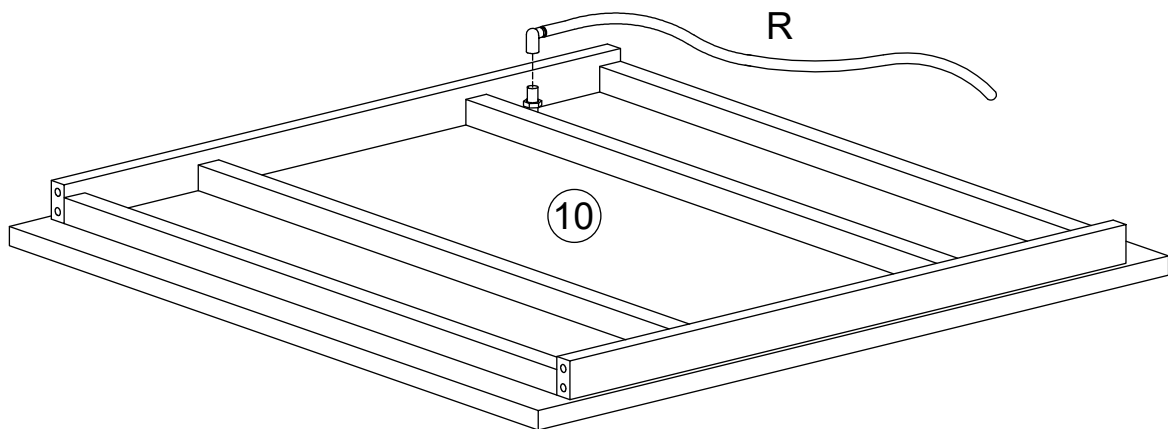


Attach Part #8 and Part #9 with Part #11x2 using Screw Fx8 as shown.

**Please do not fully tighten the screws until Step 4.**


F	×8	G	×1
			
M6×50mm		M4×64mm	

# 3



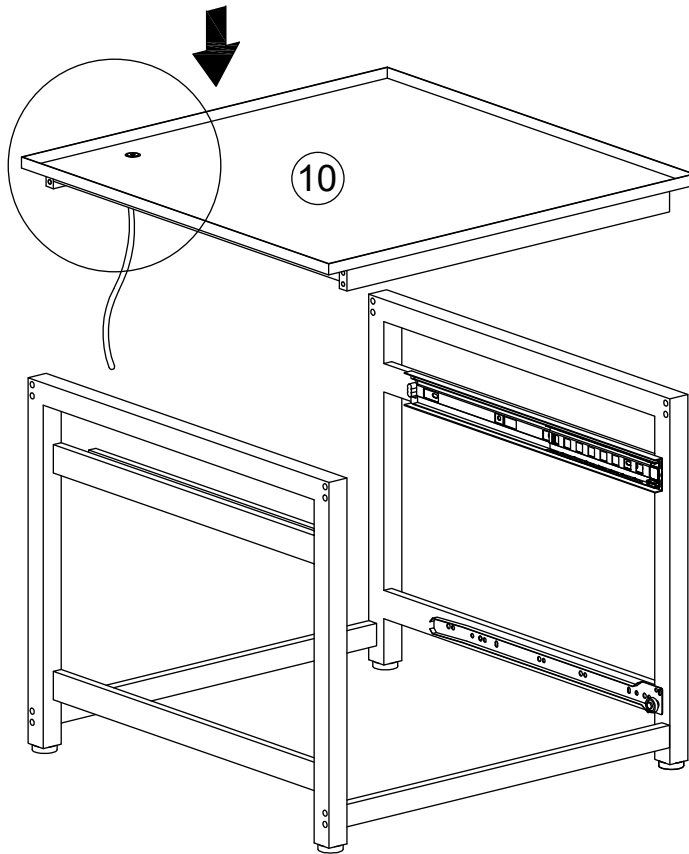
Attach the water drain hose R to the unit.

To make the assembly easier, or if the temperature is too low, it is better to use hot water to soften the accessories before installing the drain hose.

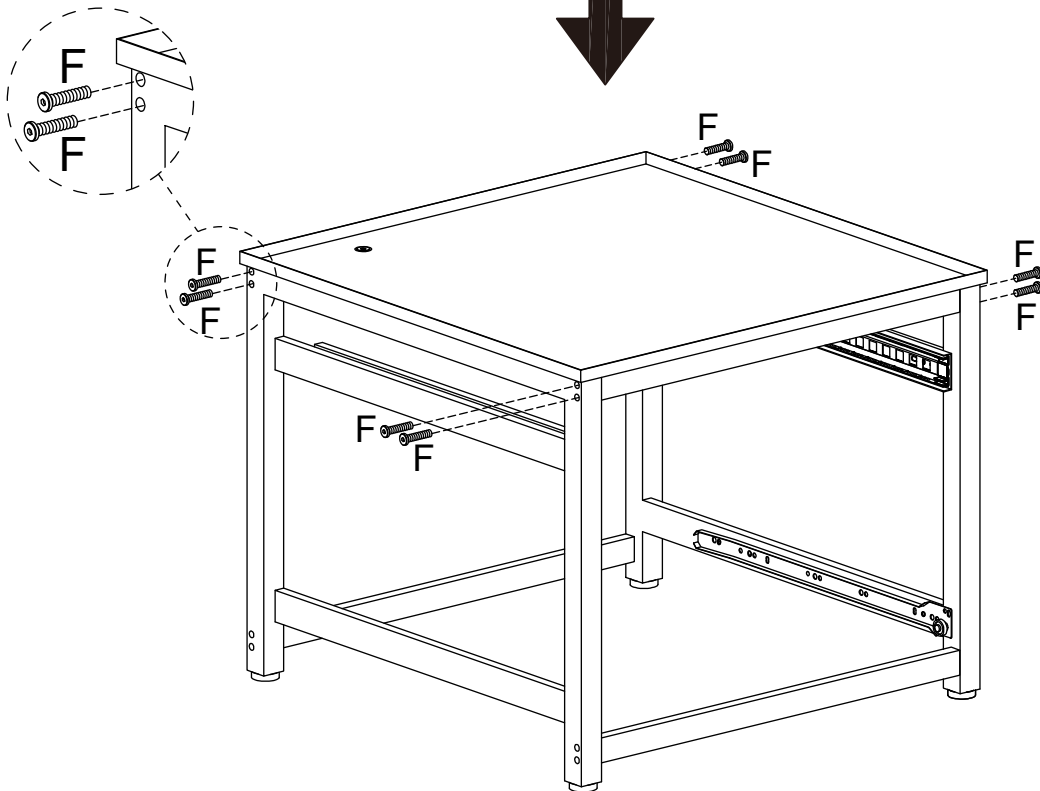
R	×1
	

4

Please tighten all screws at this step , including screws from Step 2.



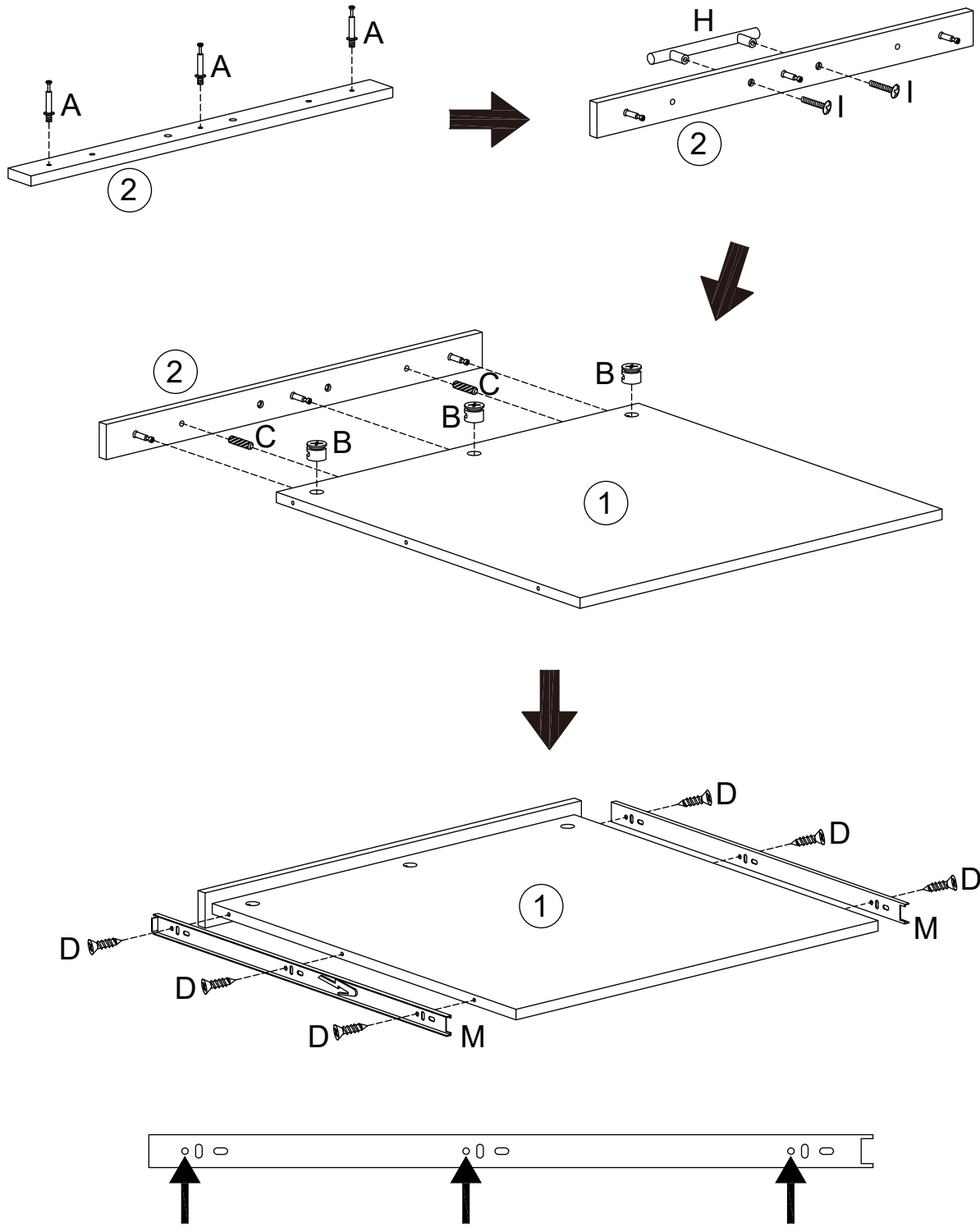
Pay attention to the direction of the drainage hole



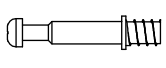


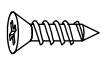
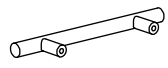


Attach Part#10 to the assembled unit with screws Fx8 as shown.

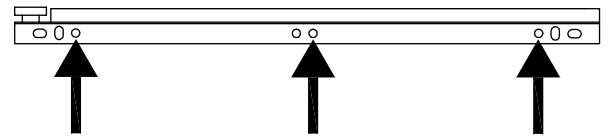
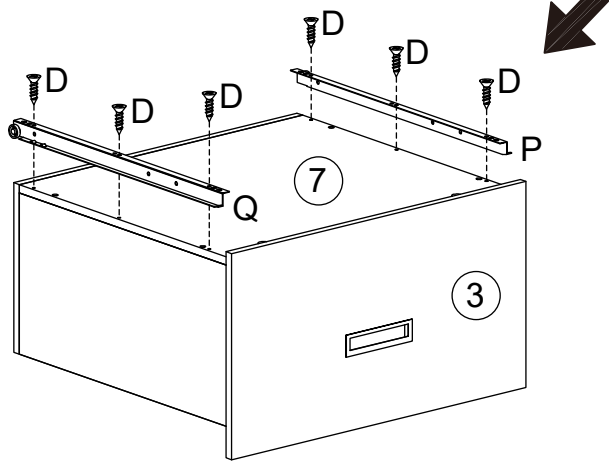
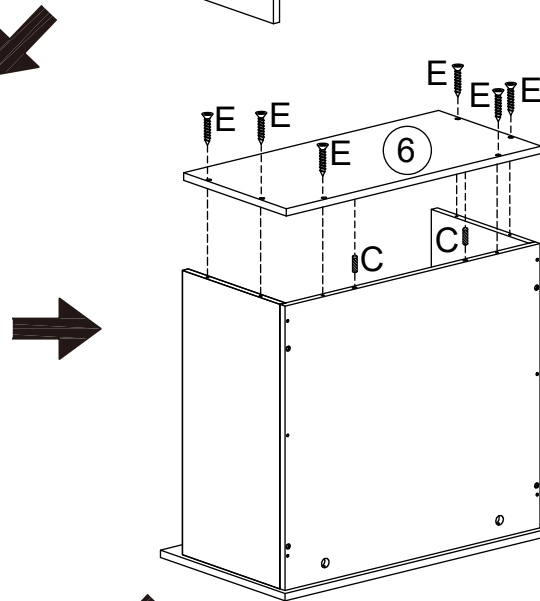
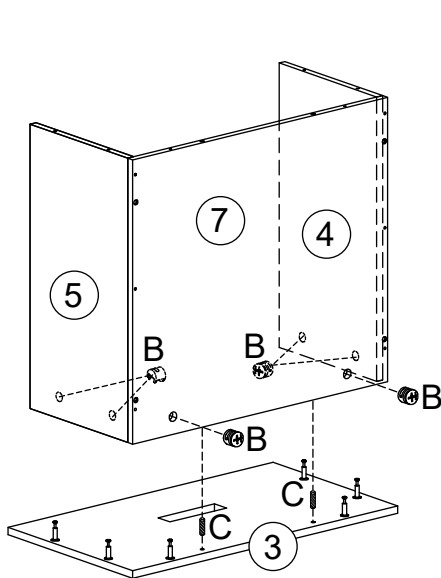
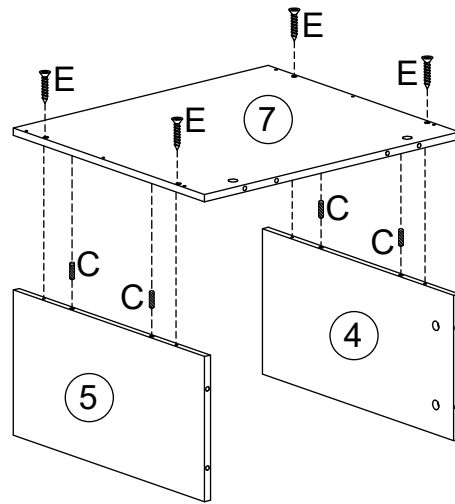
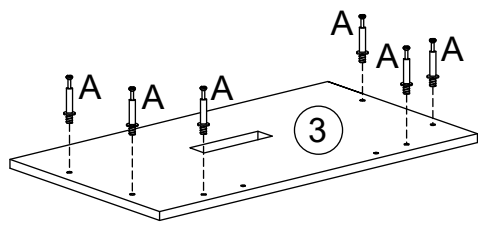
F	×8
M6×50mm	

5



Install Cam Screws Ax3 to Part#2 as shown.  
 Install Handle Part H to Part#2 with screws Ix2 as shown.  
 Put Dowel Cx2 into Part#2, put connector nuts Bx3 into Part#1.  
 Then connect Part#1 and Part#2 and tighten connector nuts Bx3.  
 Install Rail Mx2 to board Part #1 with screw Dx6 as shown.

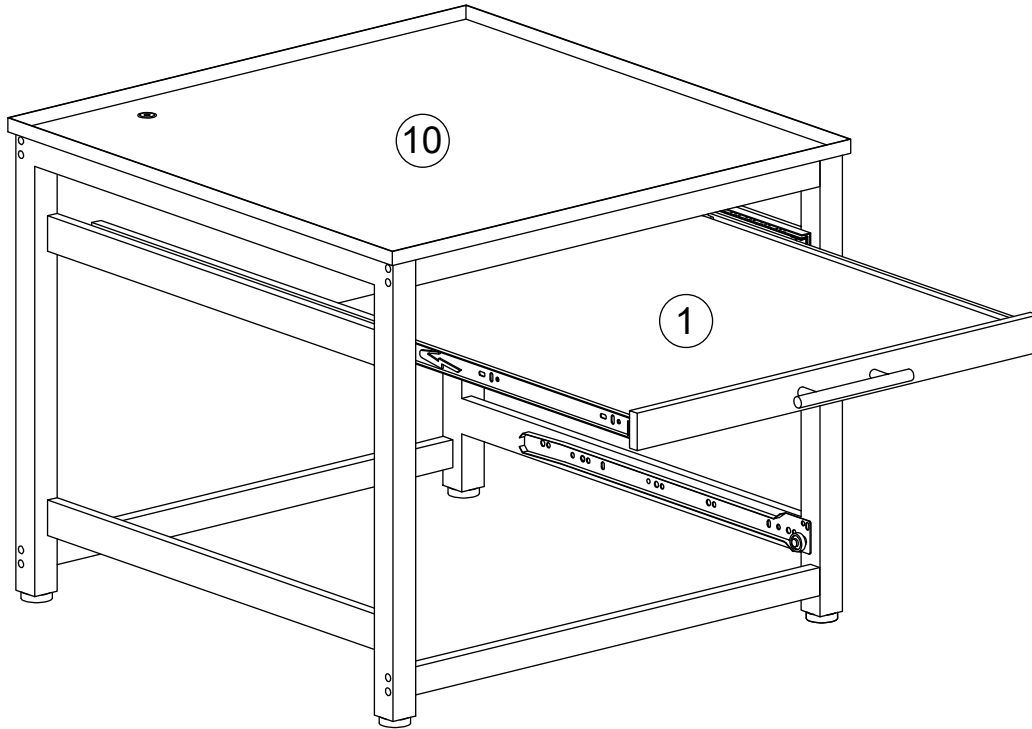
A	x3	B	x3	C	x2	D	x6	H	x1	I	x2	M	x2
													
Ø6×35mm		Ø15×10mm		Ø6×30mm		Ø3.5×14mm		151×31×12mm		M4×18mm		L500mm	



Install Cam Screws Ax6 to Part#3 as shown.  
 Put Dowel Cx4 into Part#4 and Part#5  
 Attach Part #7 with Part#4 and Part#5 with Screws Ex4 as shown.  
 Put connector nuts Bx6 into Part#4、 Part#5 and Part#7.  
 Attach Part #3 to the assembled unit with Dowel Cx2 as shown. Turn B to secure position.  
 Attach Part#6 to the assembled unit with screws Ex6 and Dowel Cx2 as shown.  
 Install Slide Rail Part#Q and Part#P to bottom Part#7 as shown with screws Dx6.  
 Pay attention to the direction of the slide rail pulley.

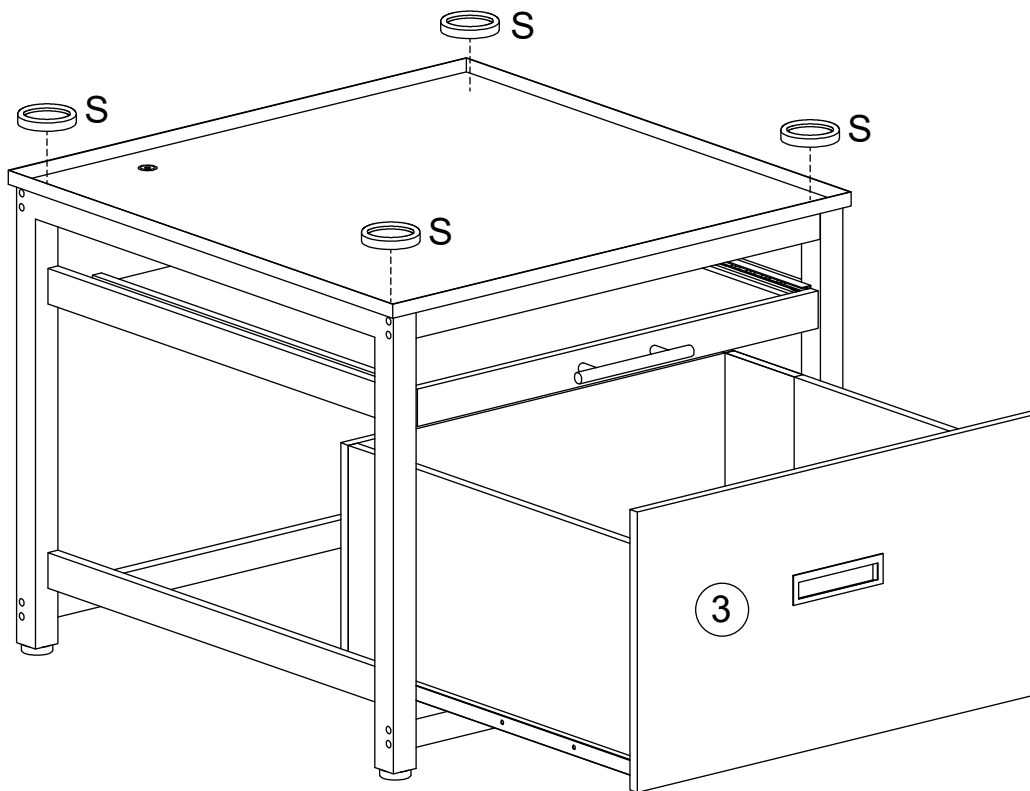
A	x6	B	x6	C	x8	D	x6	E	x10	P	x1	Q	x1
Ø6×35mm		Ø15×10mm		Ø6×30mm		Ø3.5×14mm		Ø4×35mm		L450mm		L450mm	

7



Attach Pullable drain basket board Part#1 to the unit as shown. After aligning, put it in and you'll be fine if you hear a click.

8



Attach drawer to the unit as shown. We are equipped with anti-vibration pads. Can be used together if necessary.

S	x4
