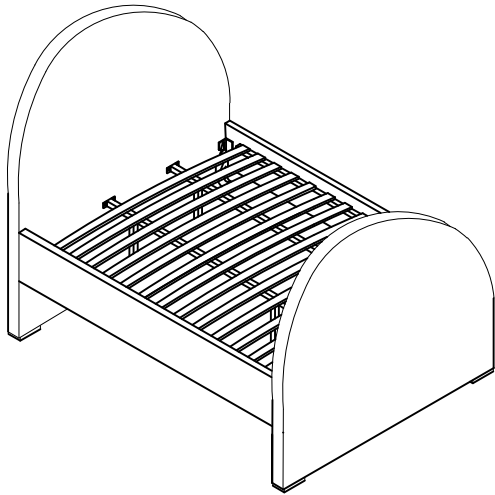


# ASSEMBLY INSTRUCTIONS

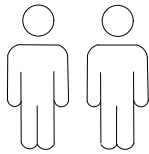
## BED - KING



**+ Do Not Use Power Tools**



**+ Suggested Adults**



NOTE:

- 1 Read instructions cover to cover.
- 2 Save all packaging until assembly is completed.

### 1 IMPORTANT SAFETY INFORMATION

Do not assemble the product if any of the following parts arrived damaged:

- Part #③ -Side Rails
- Part #④ -Slats joint
- Part #⑤ -Center Support Bar
- Part #⑥ -Support Legs

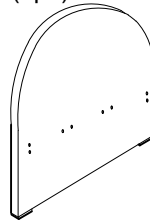
### 2 IMPORTANT ASSEMBLY INFORMATION

Assembly Step ② Ensure the side rail bracket is fully hooked onto bolt **A** loosely threaded with both washers on the **OUTSIDE** of the bracket first, then proceed to fully tightening all 4 corners.

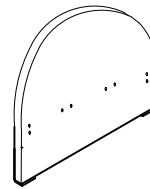
\*Slats come packed in the bottom of headboard carton.

### + Parts Included

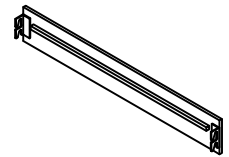
① Head Board (1pc)



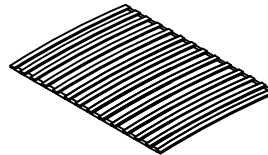
② Foot Board (1pc)



③ Side Rails (2pcs)



④ Slats joint (1set=13pcs)



⑤ Center Support Bar (2pcs)



\*Slats come packed in the bottom of headboard carton.

⑥ Support Legs (4pcs)



### + Hardware Included

A Bolt M8\*40mm (24pcs)



C Spring Washer (8pcs)



E Flat Washer  $\phi 20$  (24pcs)



F M8 Allen Key (1pc)



I Nut M8\*13mm (8pcs)



J Spanner (1pc)



K Tapping screw M4\*30mm 6pcs



# ASSEMBLY INSTRUCTIONS

## BED - KING

