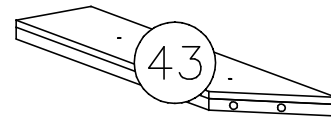
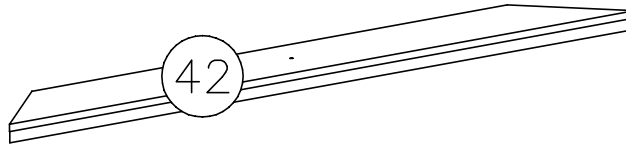
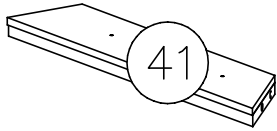


nr	L[mm]	B[mm]	T[mm]	Menge
41	571	82	26	1
42	1002	82	26	1
43	571	82	26	1



W1



x...(1)

B1



ø8x35

x...(4)

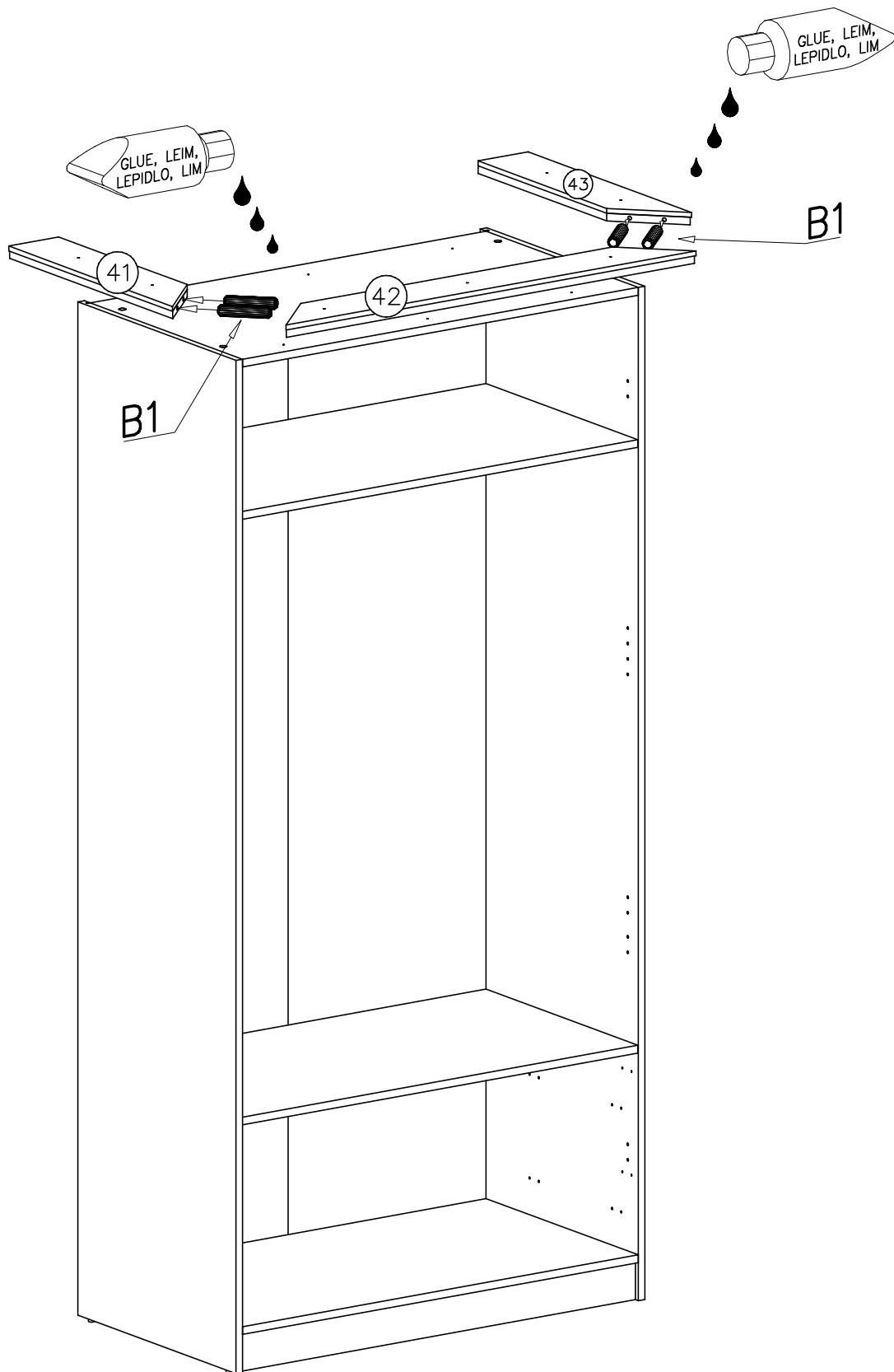
G23



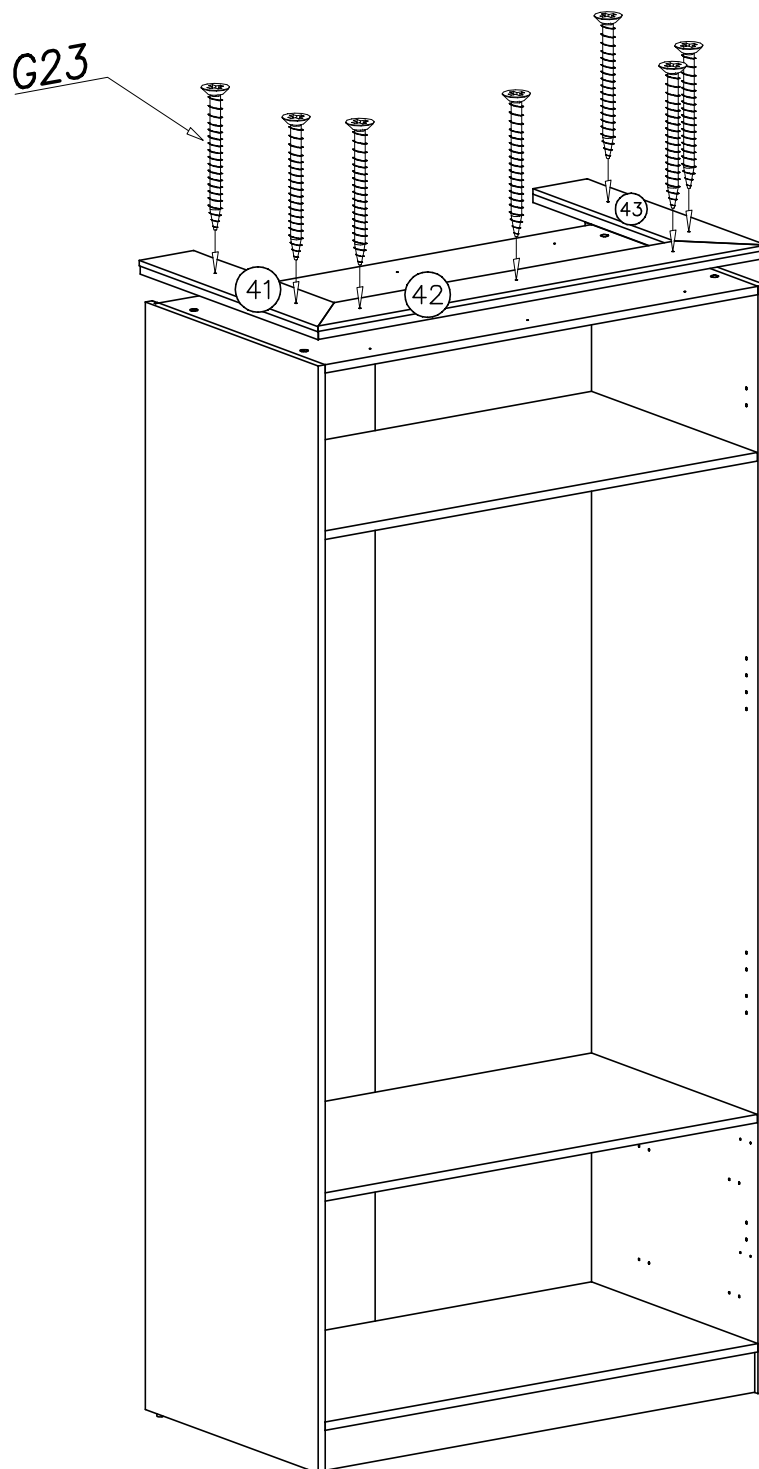
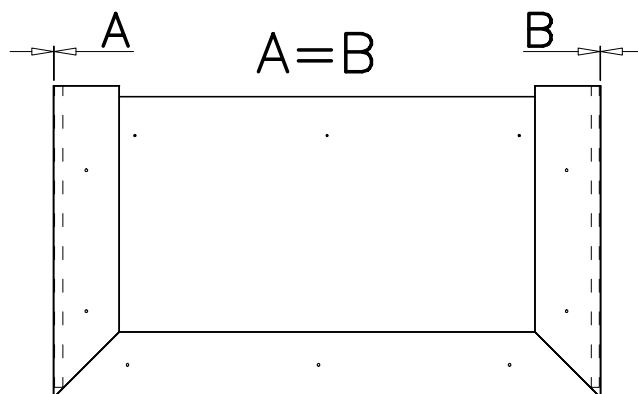
4x40

x...(7)

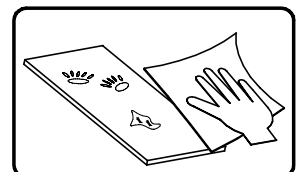
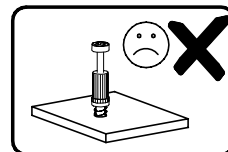
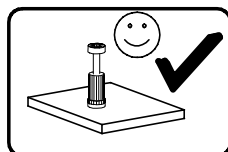
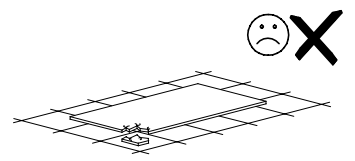
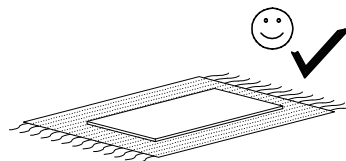
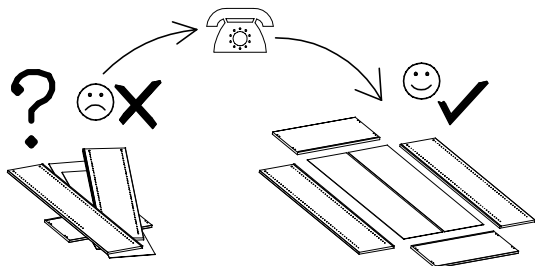
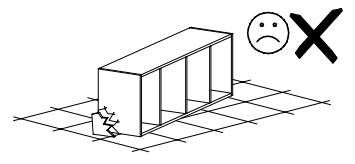
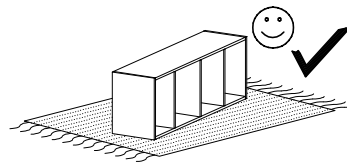
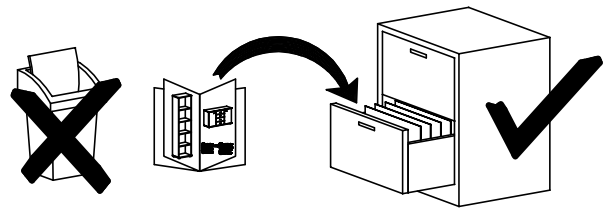
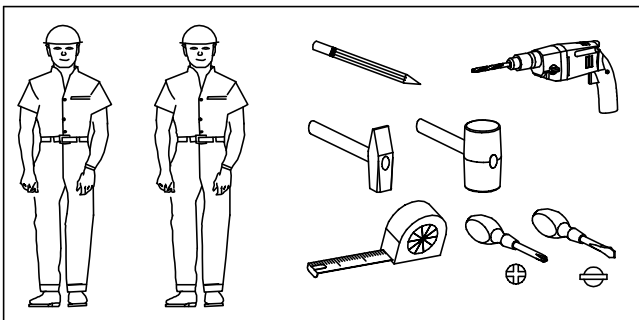
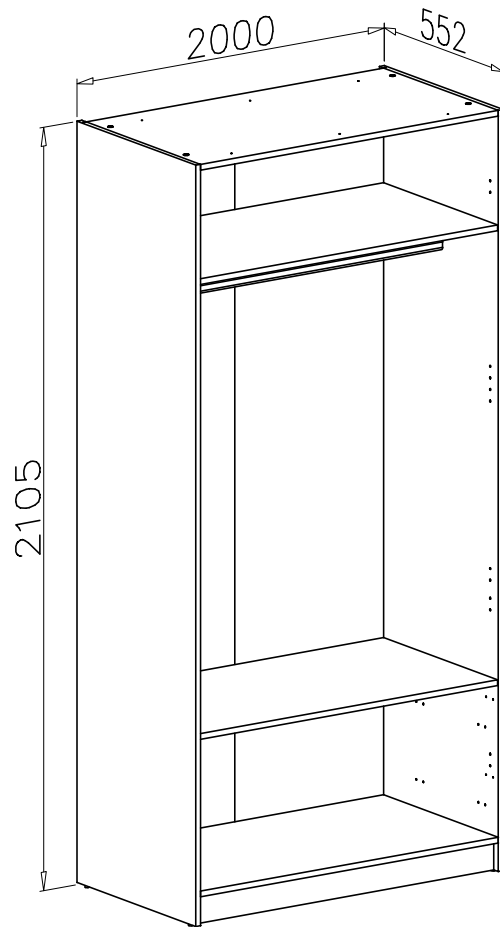
I

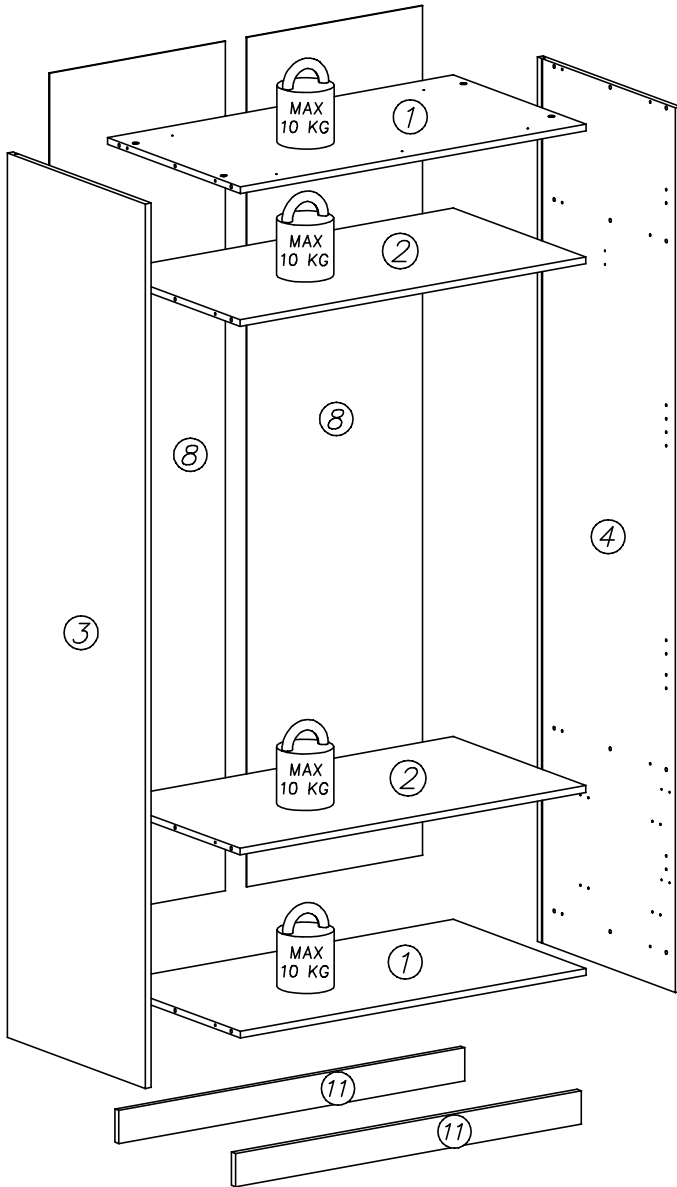
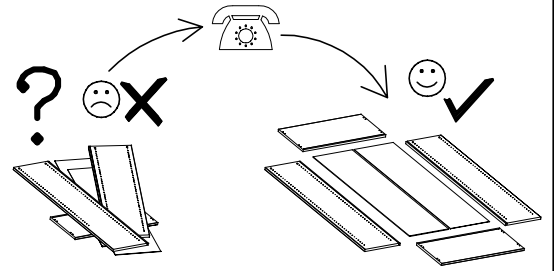
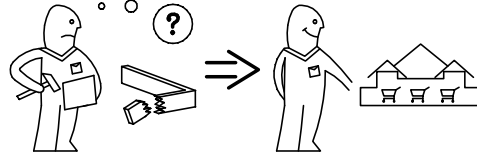
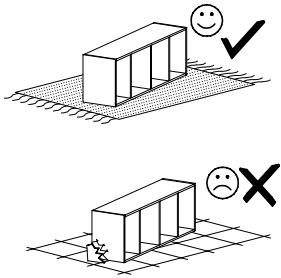


II

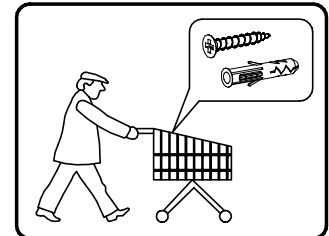


szafa 2D

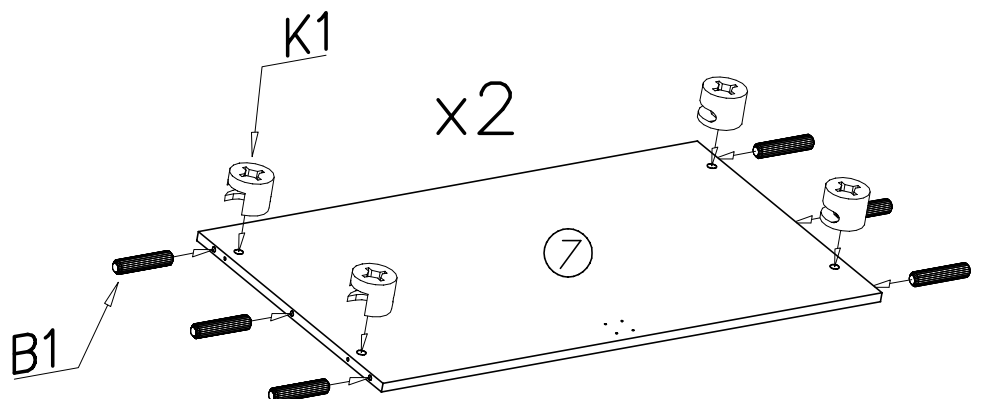
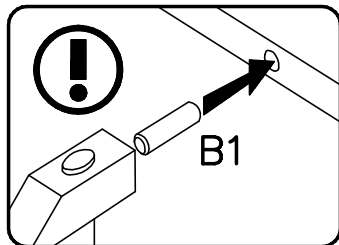
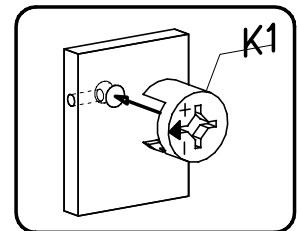
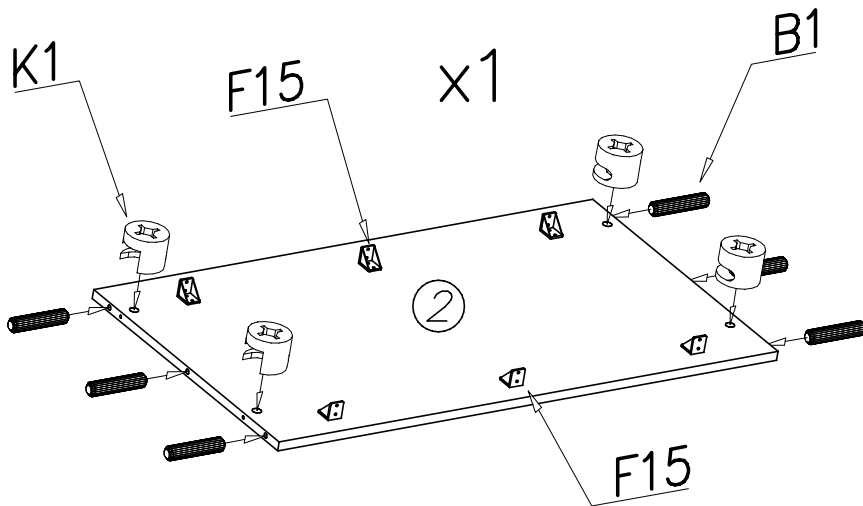
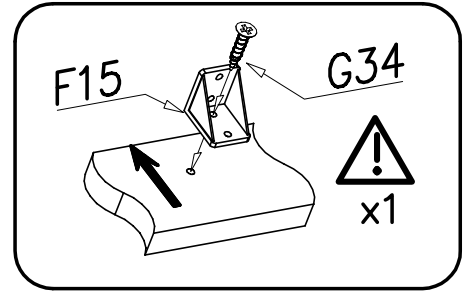
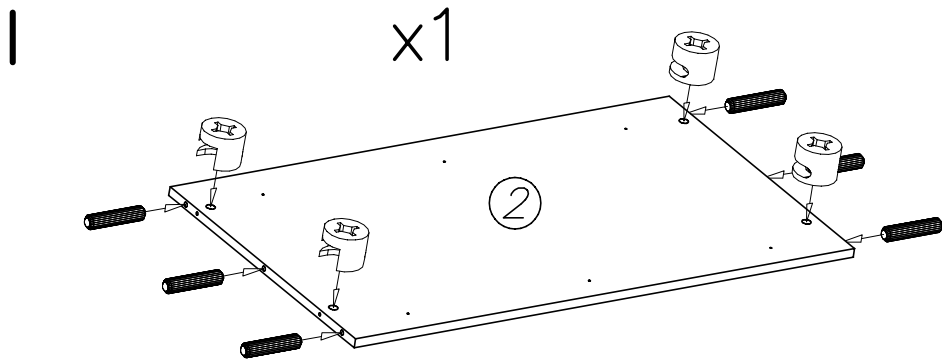




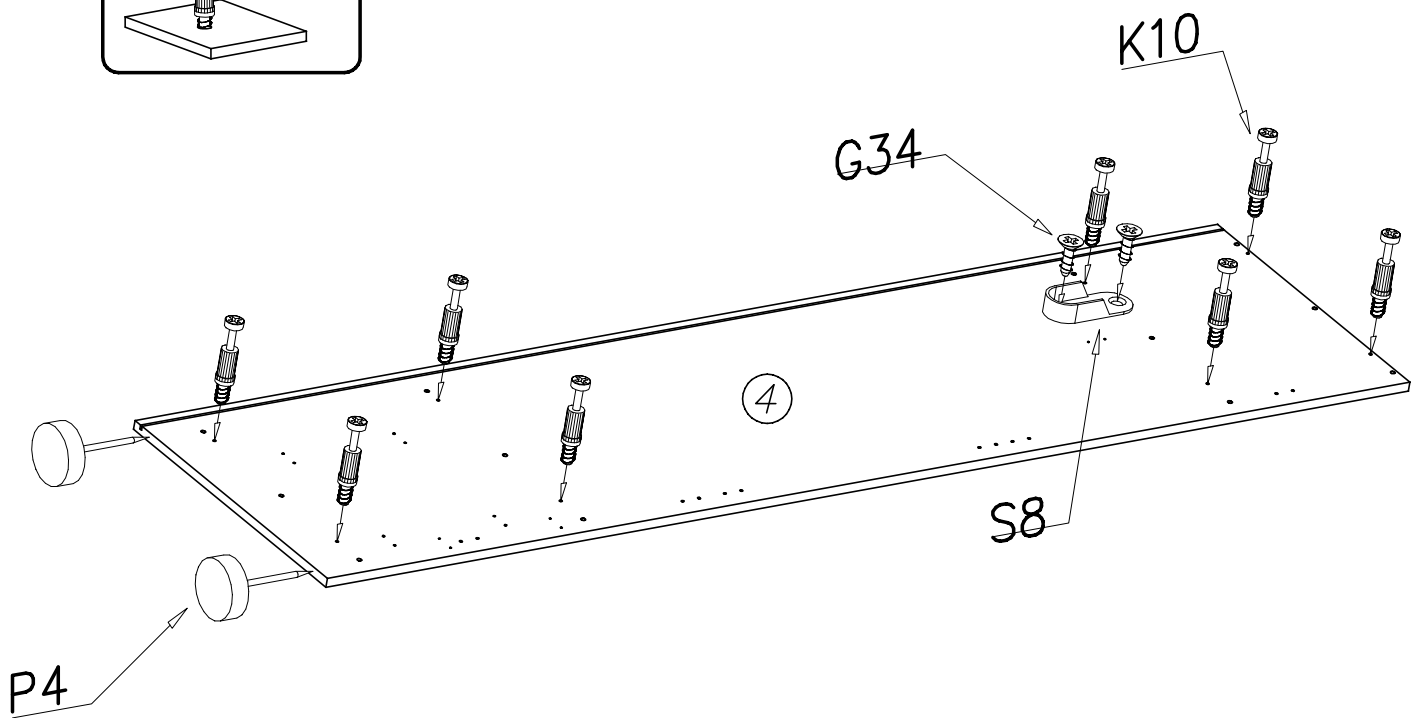
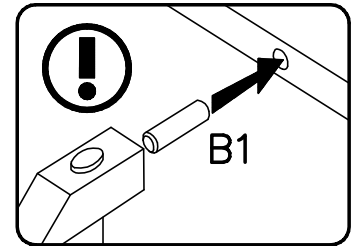
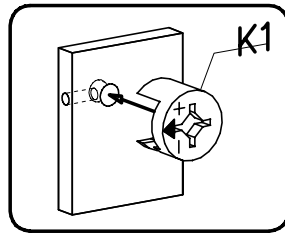
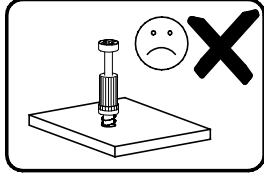
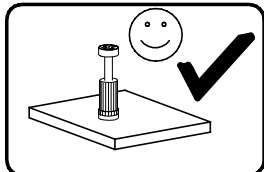
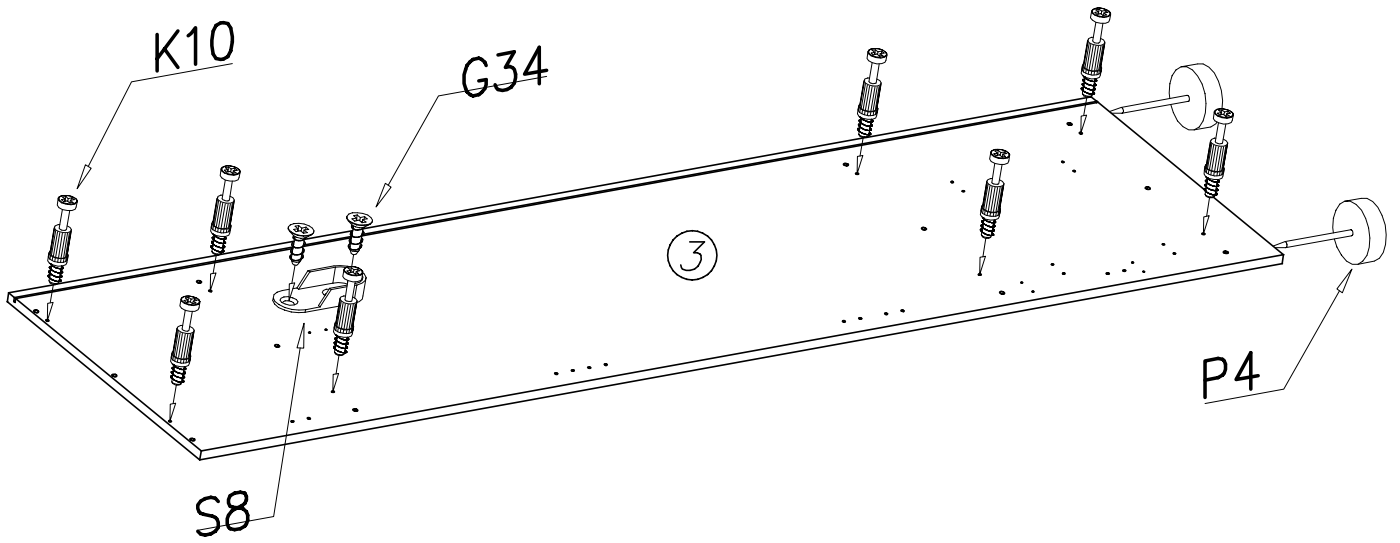
nr	L[mm]	B[mm]	T[mm]	Menge	Colli
1	532	968	16	1	1/2
2	530	968	16	1	1/2
3	2100	552	16	1	2/2
4	2100	552	16	1	2/2
8	2018	489	3	2	2/2
11	968	79	16	2	1/2



K1 Ø15x12 x...(16)	S1 1988mm x...(1)	I1 x...(10)	G57 3,5x16 x...(48)	P4 x...(4)	S8 x...(2)
K10 x...(16)	B1 Ø8x35 x...(24)	I7 Ø18 x...(16)	S5 960mm x...(1)	F15 x...(10)	G2 3x20 x...(48)

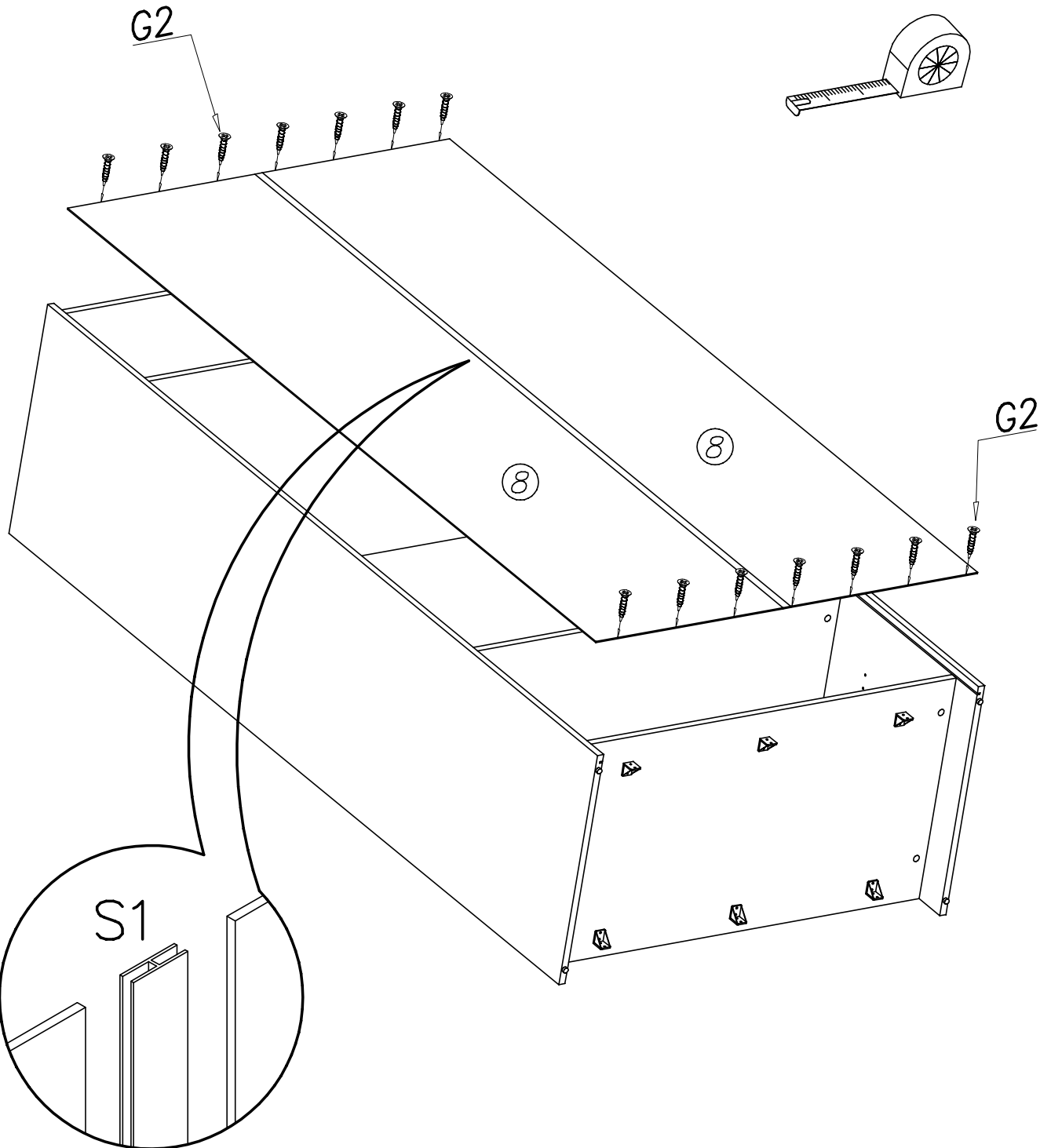
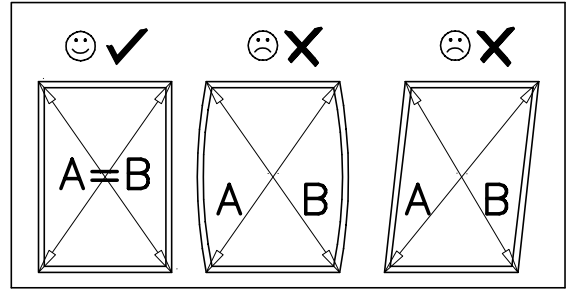


II

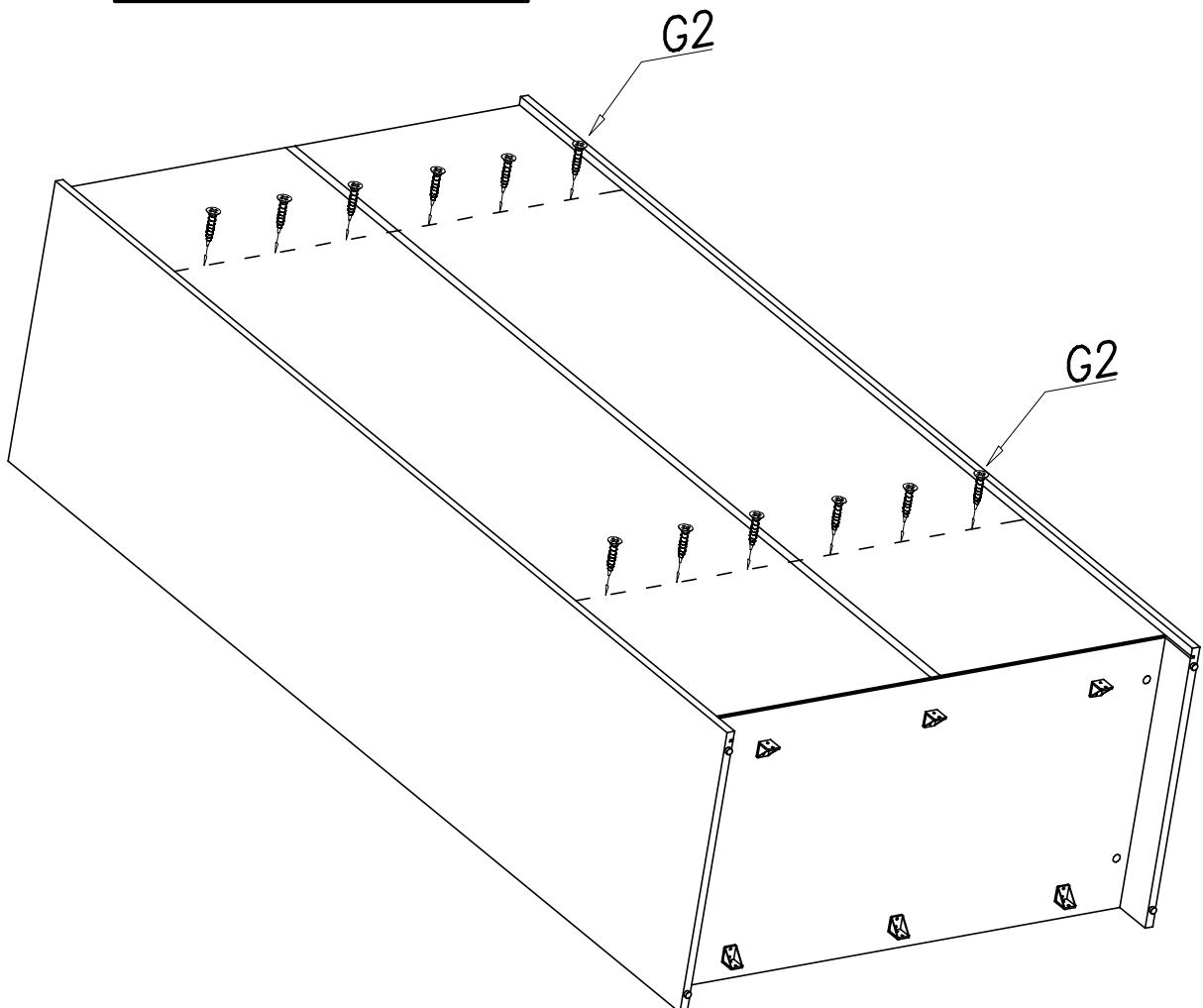
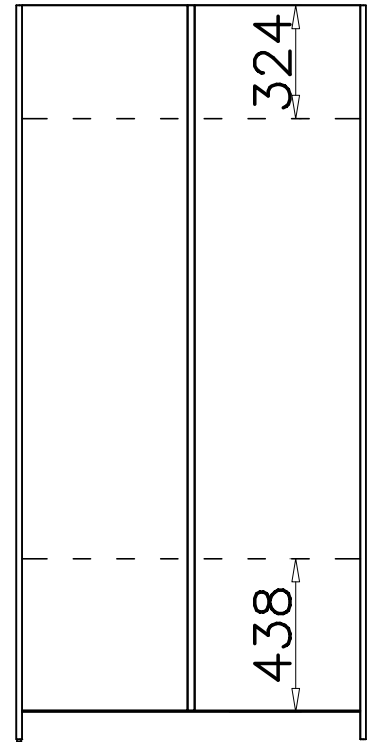
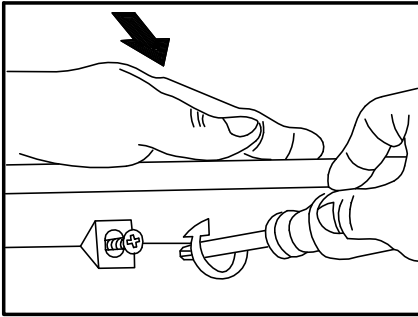
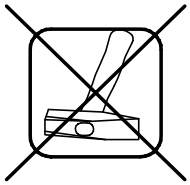
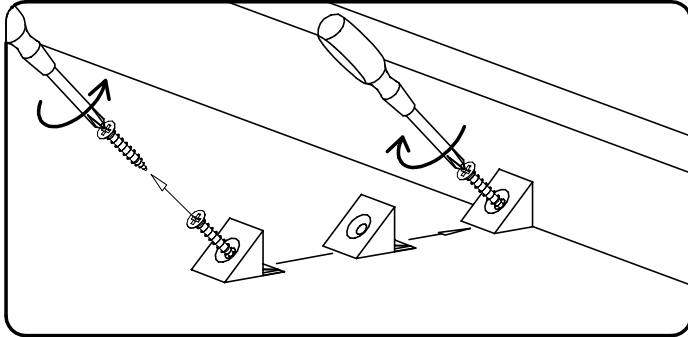


IV

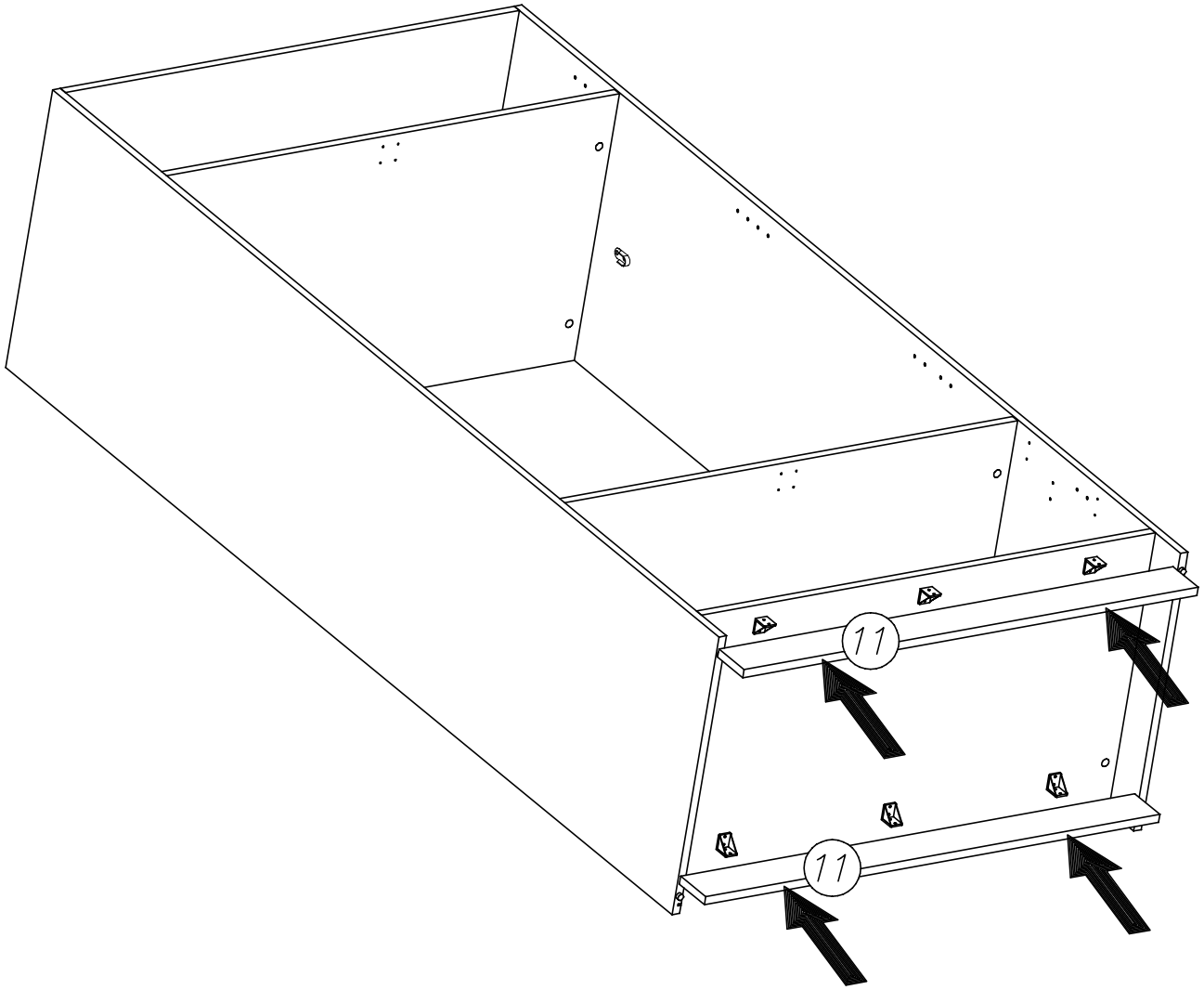
A=B



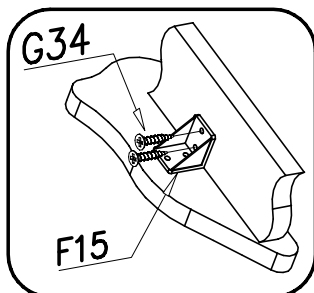
V



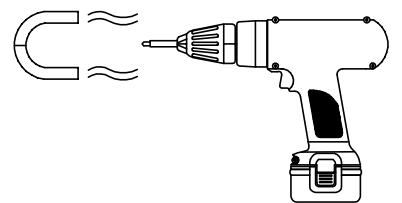
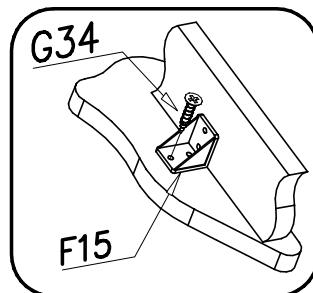
VI



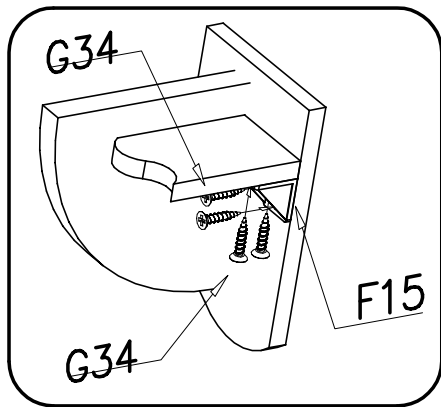
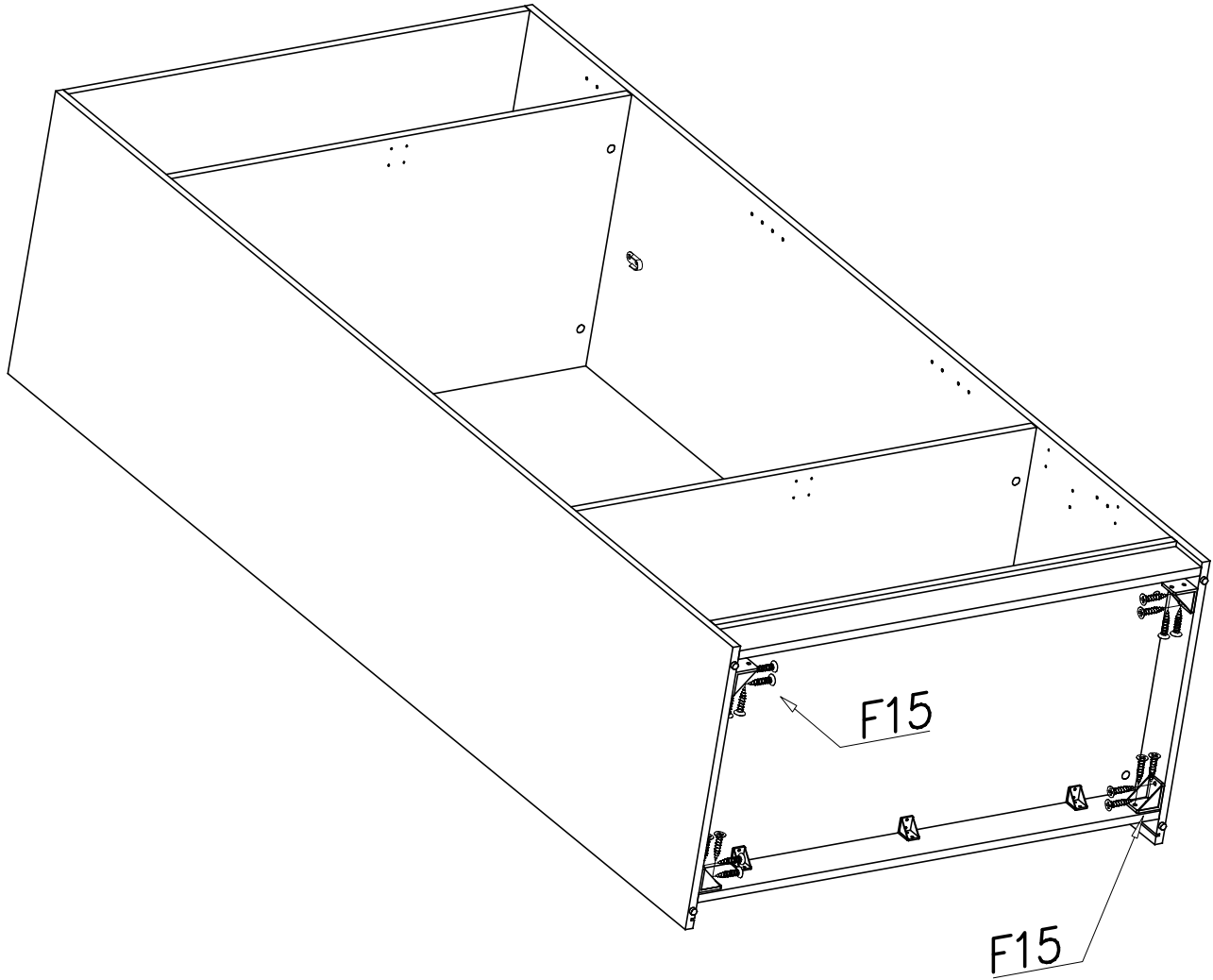
1.



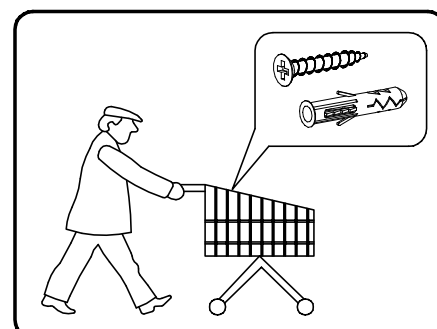
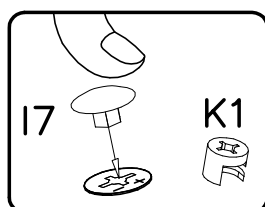
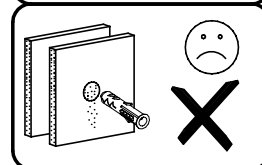
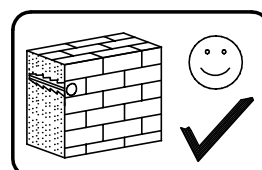
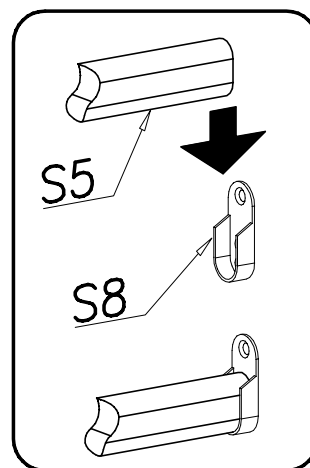
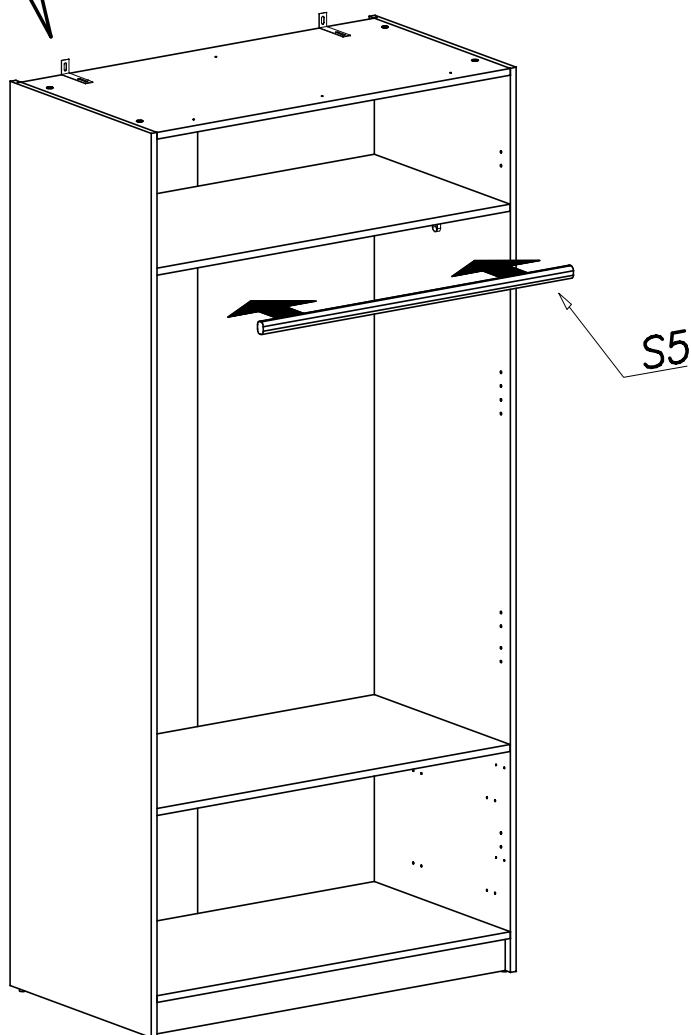
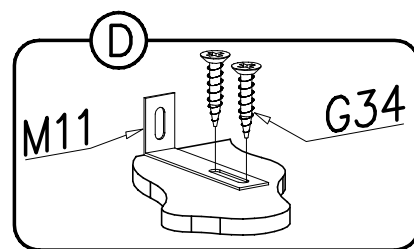
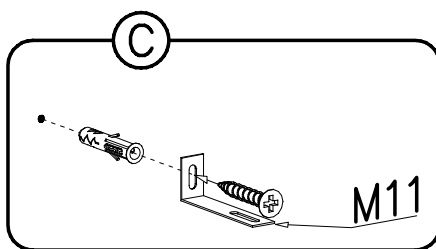
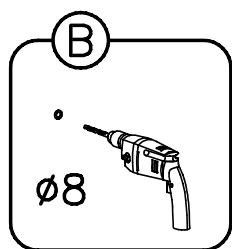
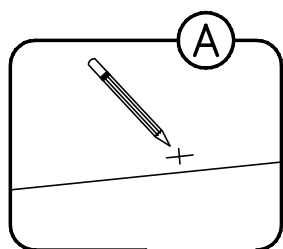
2.



VII

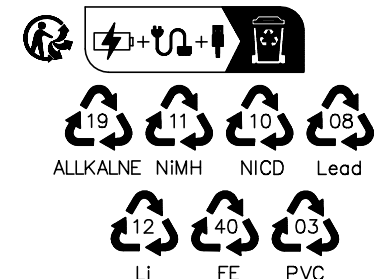
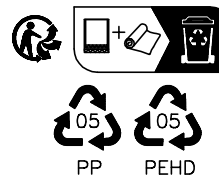
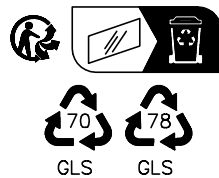
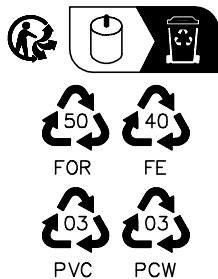
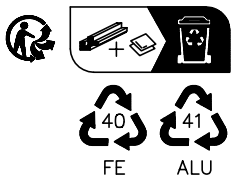
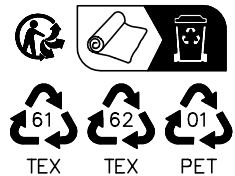
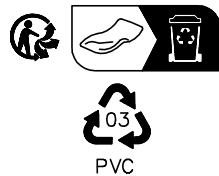
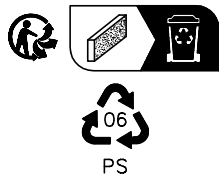
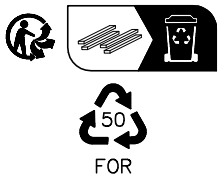
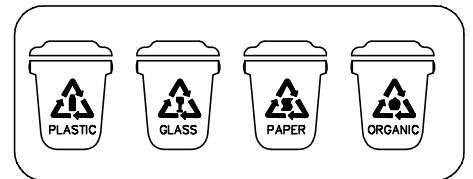
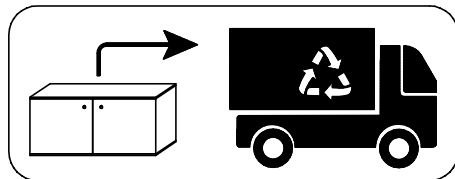
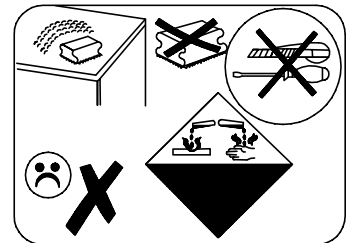
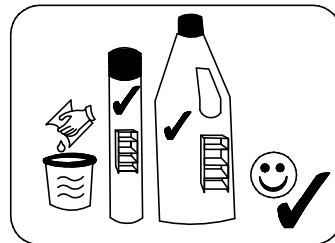
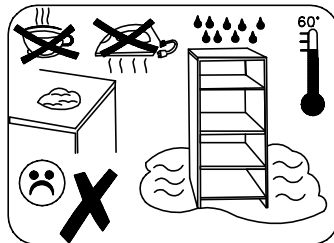
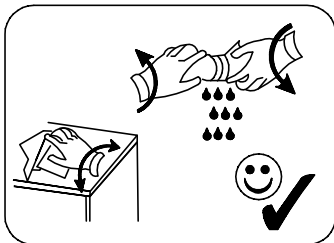
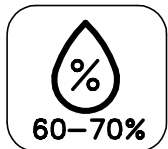
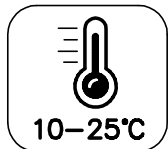
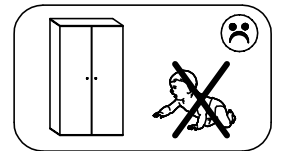
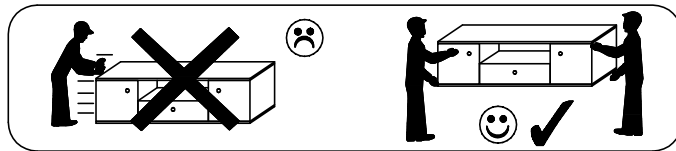
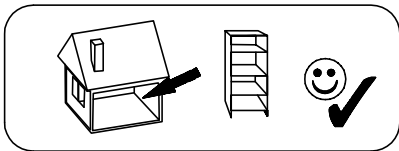
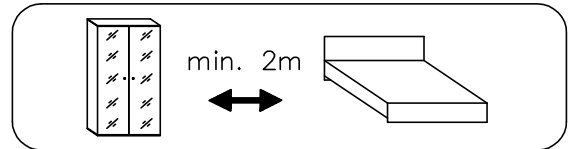
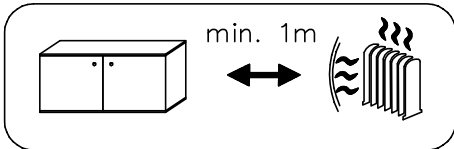
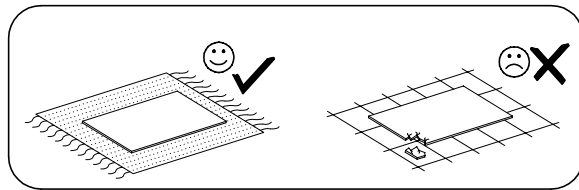
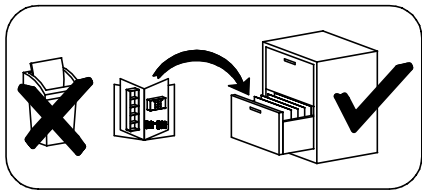


VIII

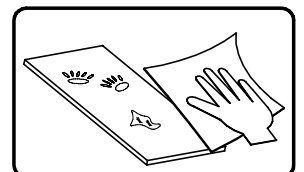
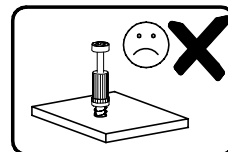
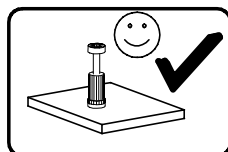
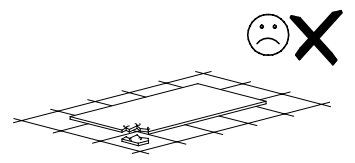
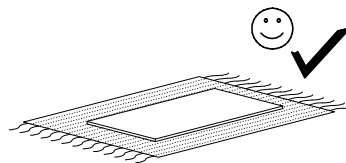
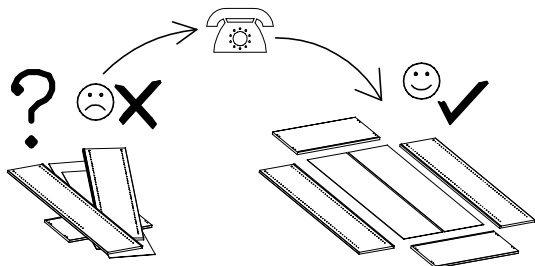
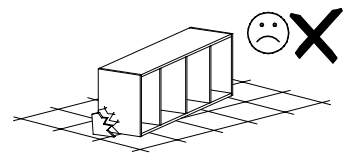
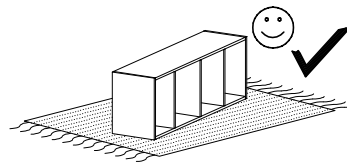
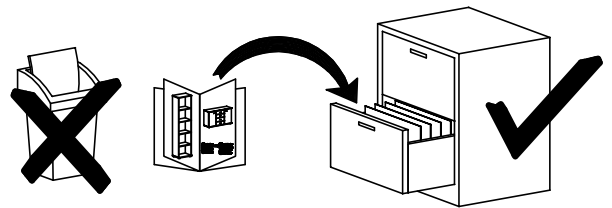
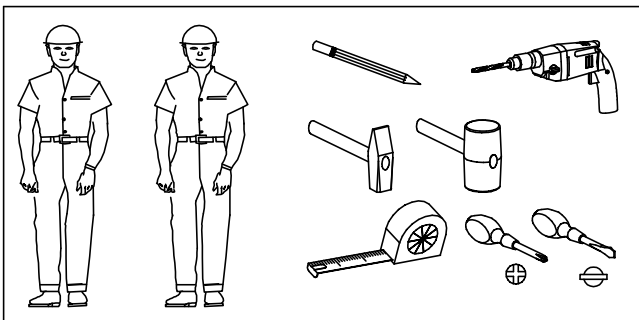
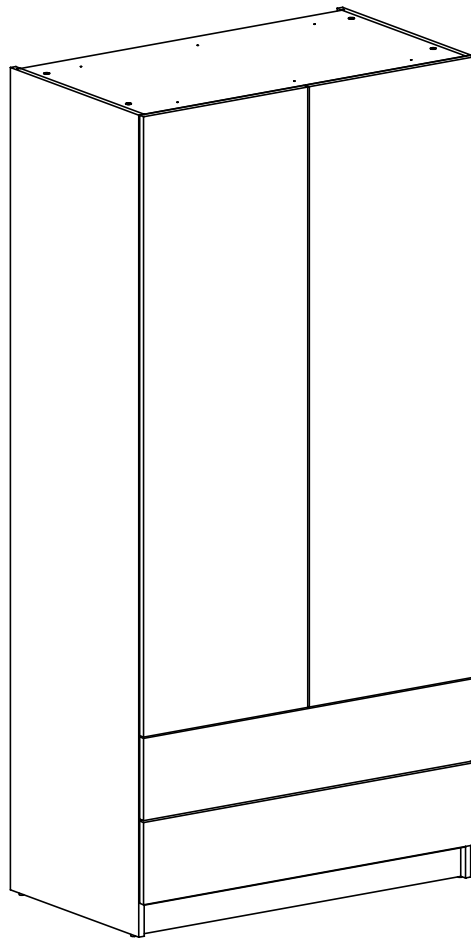




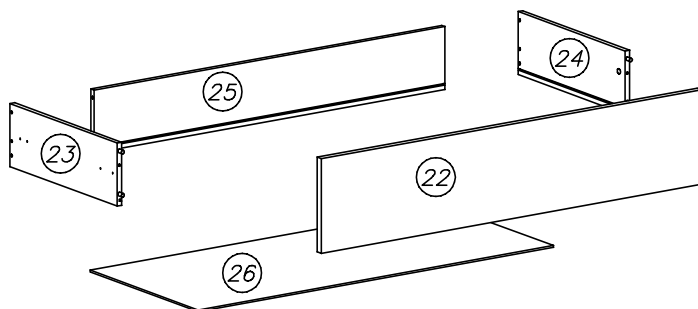
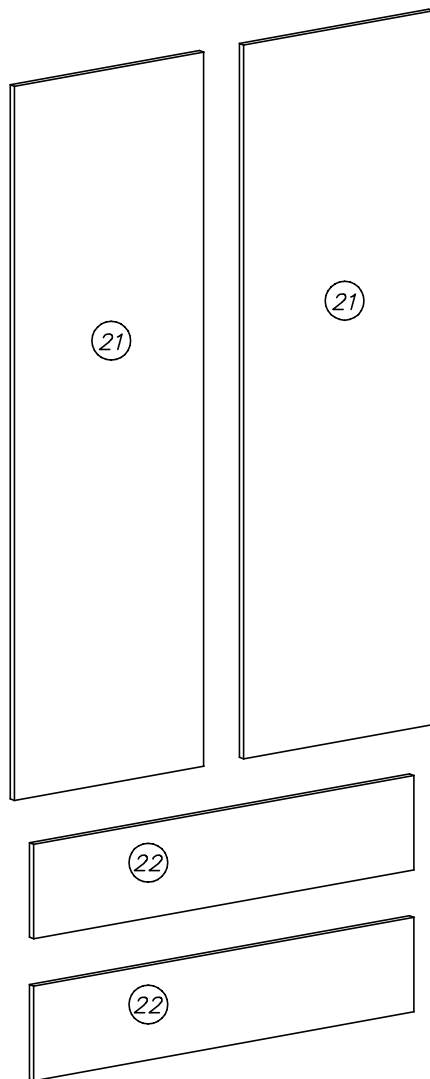
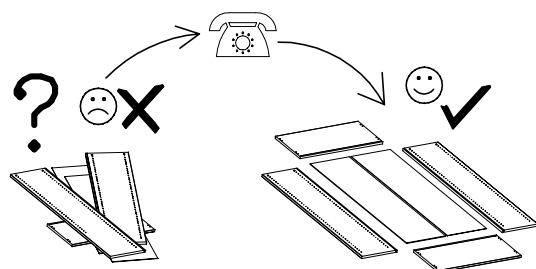
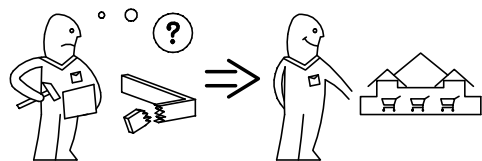
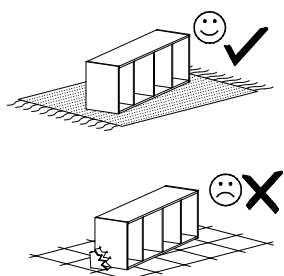
Uwaga • Upozornění • Achtung • Attention • Caution • Figyelem
 Attenzione • Opgelet • Внимание • Atenție • Upozornenie • Dikkat



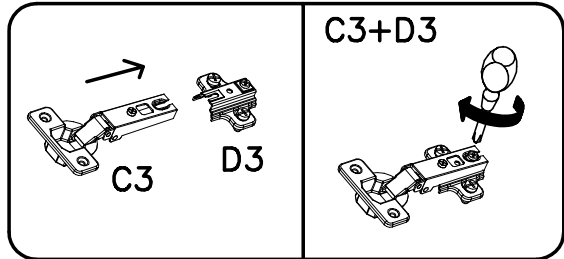
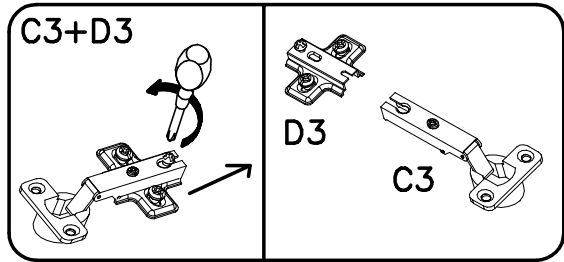
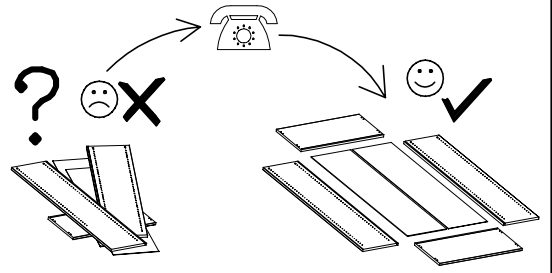
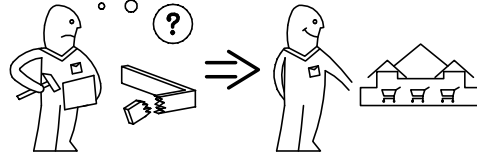
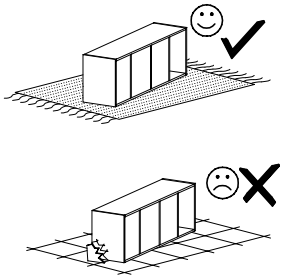
szafa 2D2S push



szafa 2D2S push



szafa 2D2S push



K4 ø12x10 x...(4)	
H24 H35-400mm x...(2)	
K10 x...(4)	

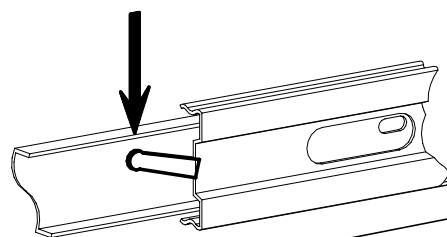
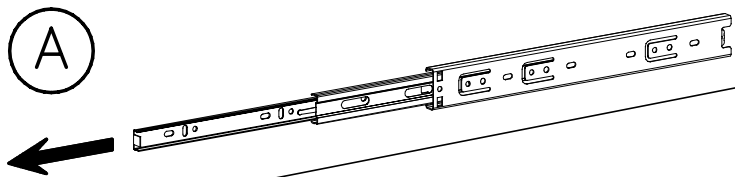
C3 Z35PR x...(6)	
D3 PZ35PR x...(6)	
W1 x...(1)	

G34 3,5x16 x...(16)	
G10 6x13 x...(8)	
W2 x...(1)	

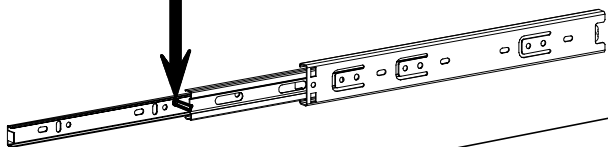
G57 3,5x14 x...(12)	
M8 400mm x...(2)	
G20 5x11 x...(8)	

L14 x...(6)	
A6 ø7x40 x...(8)	

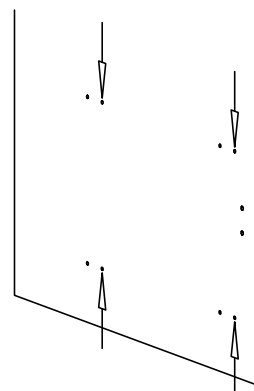
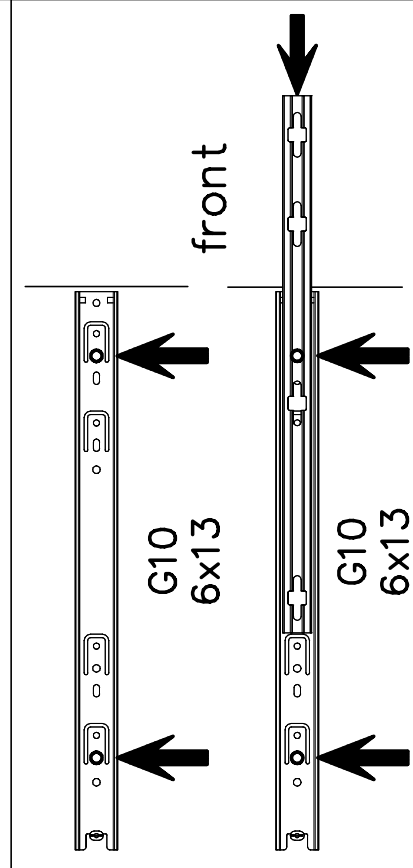
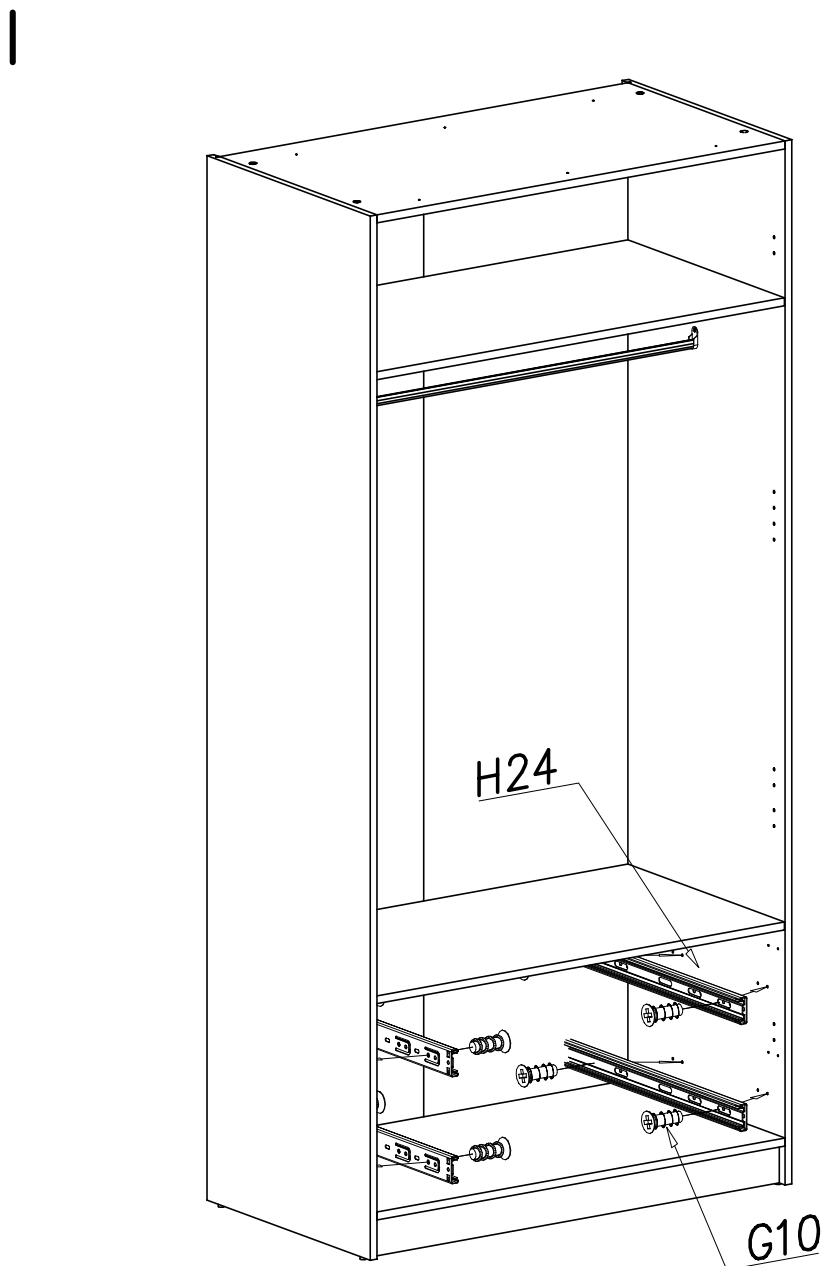
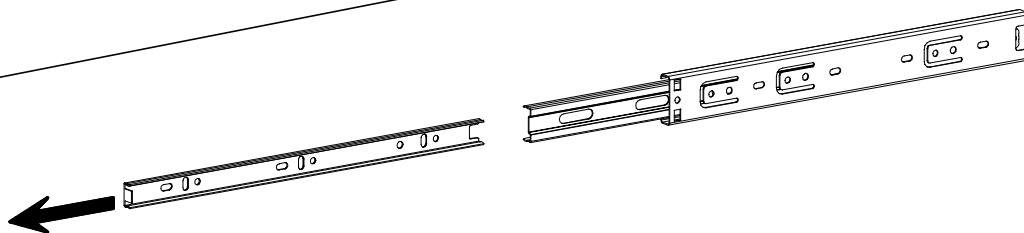
A



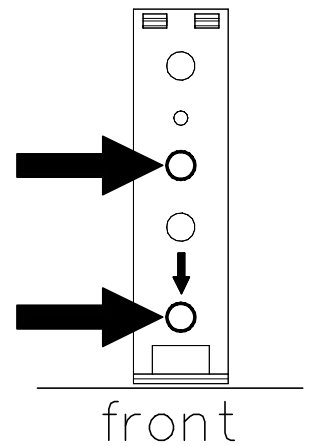
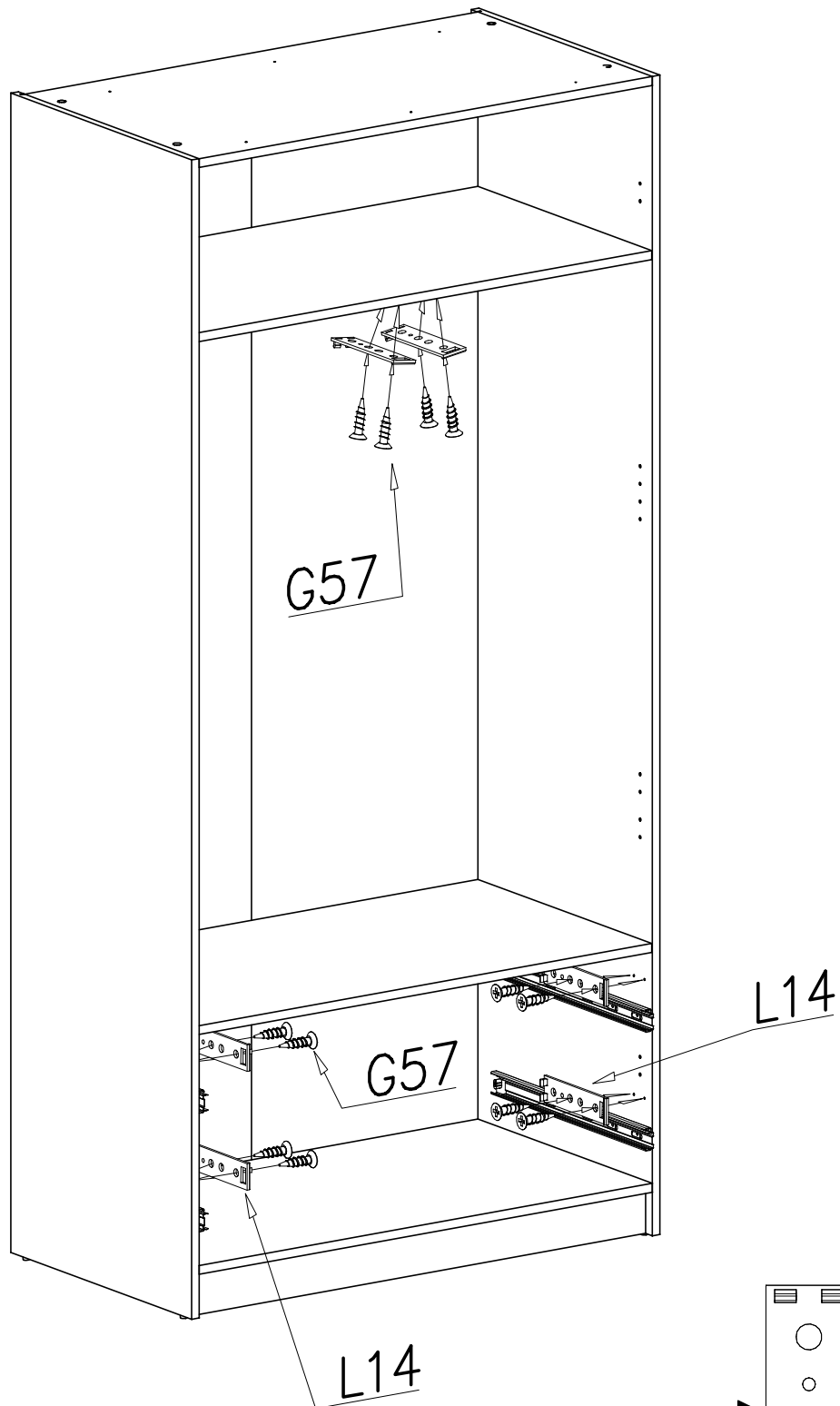
B



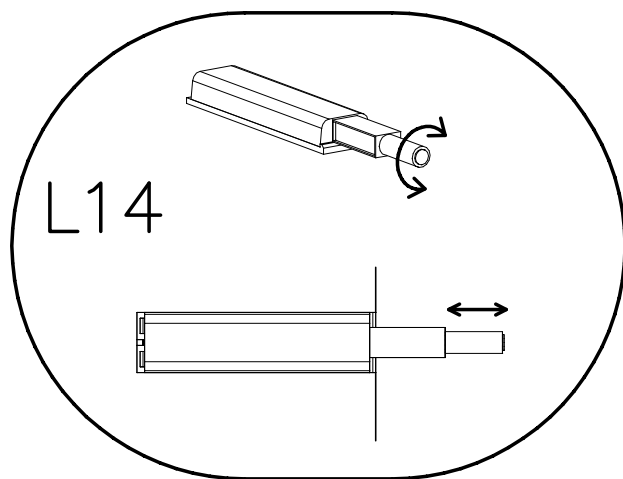
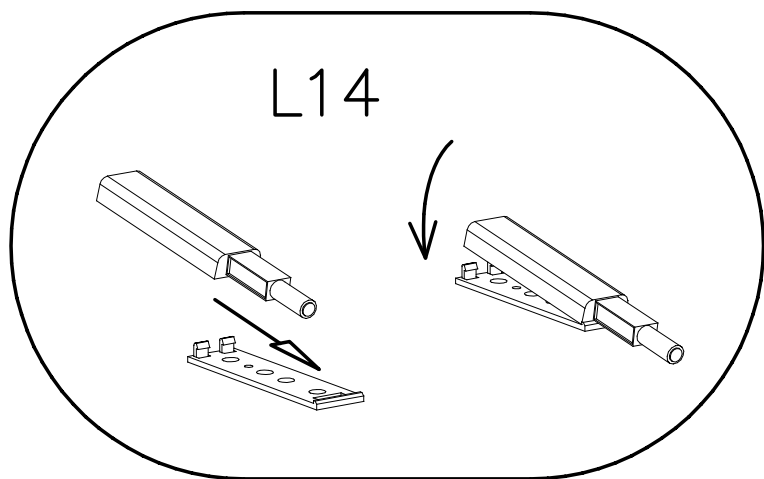
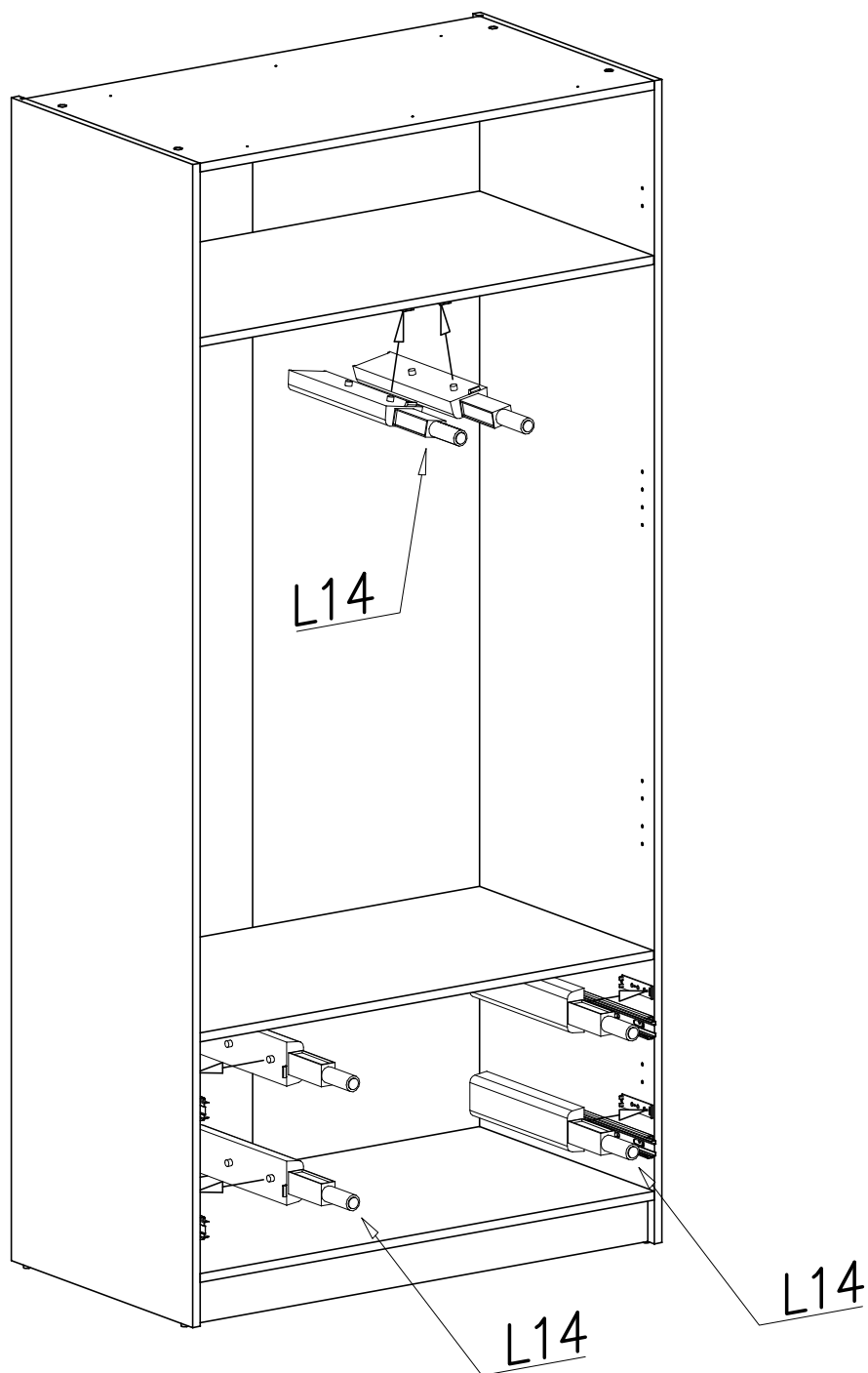
C



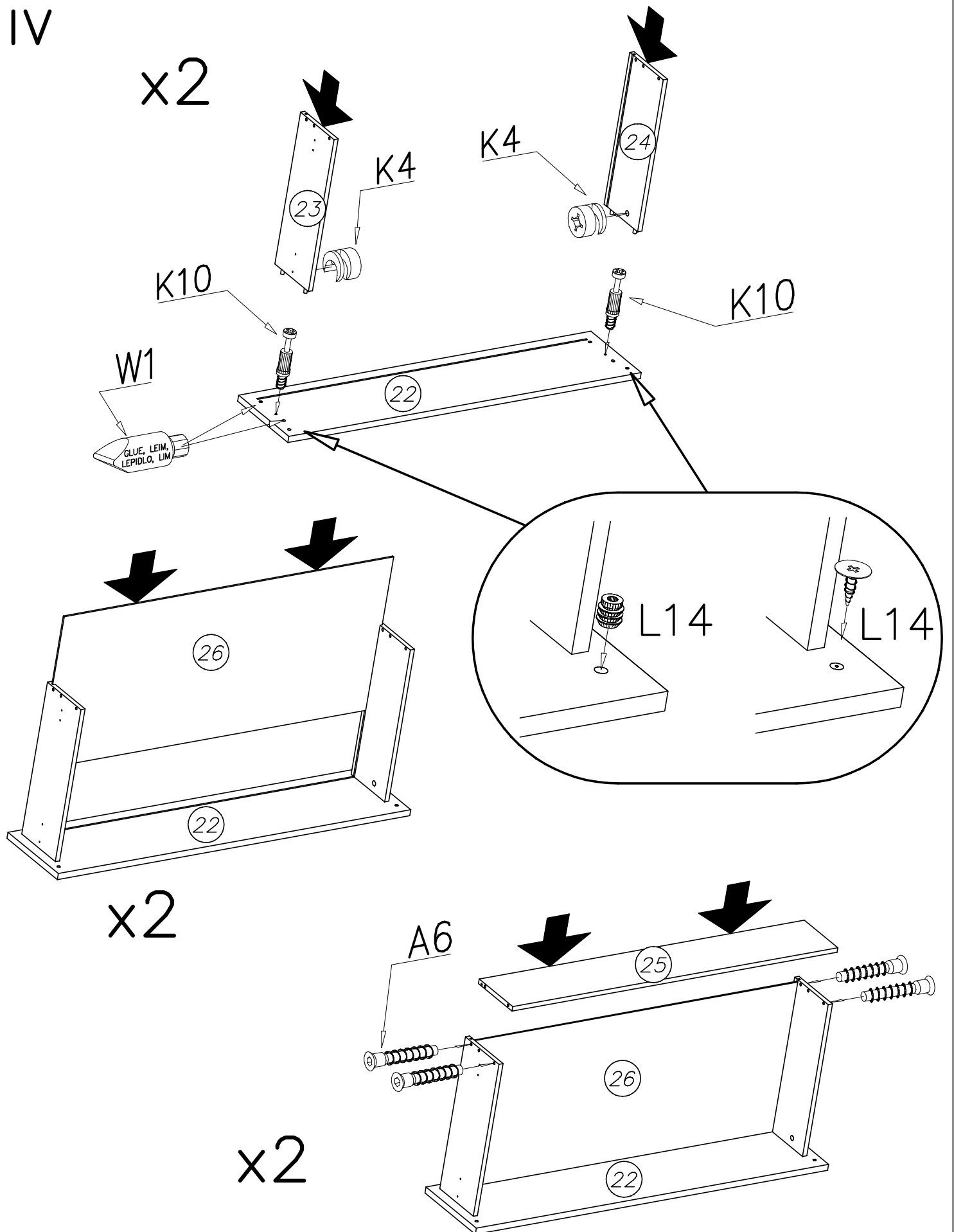
II



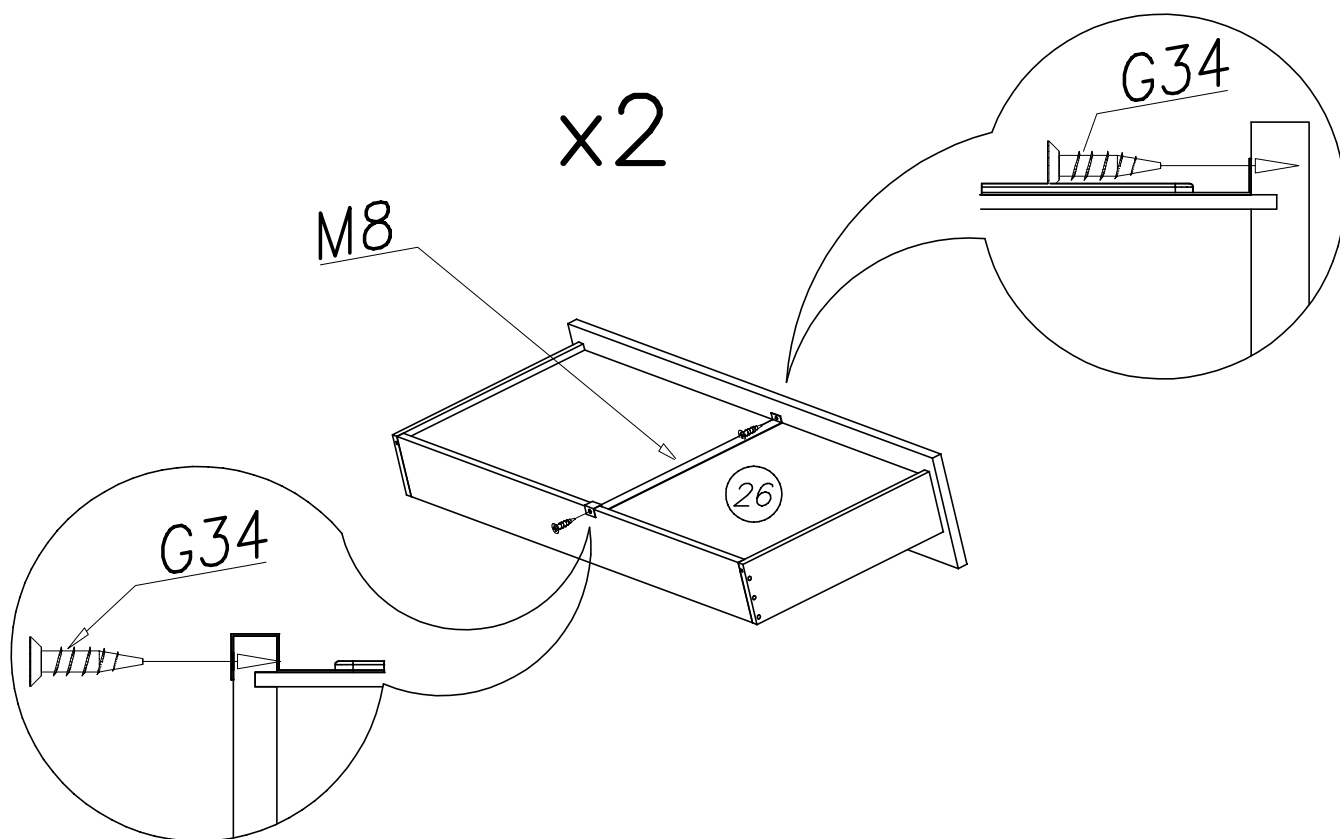
III



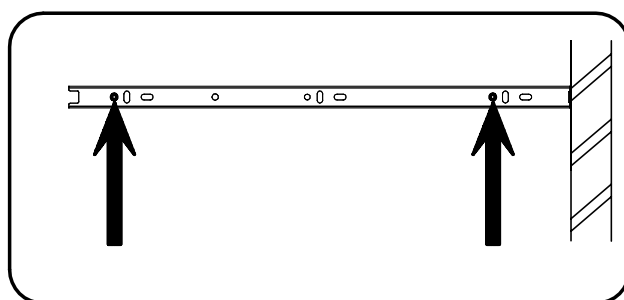
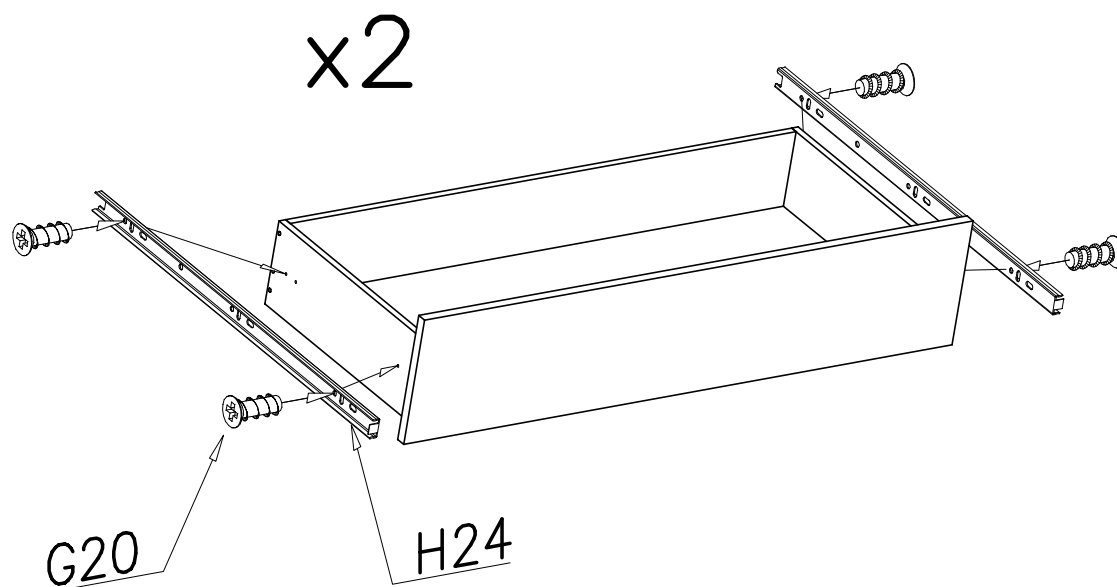
IV



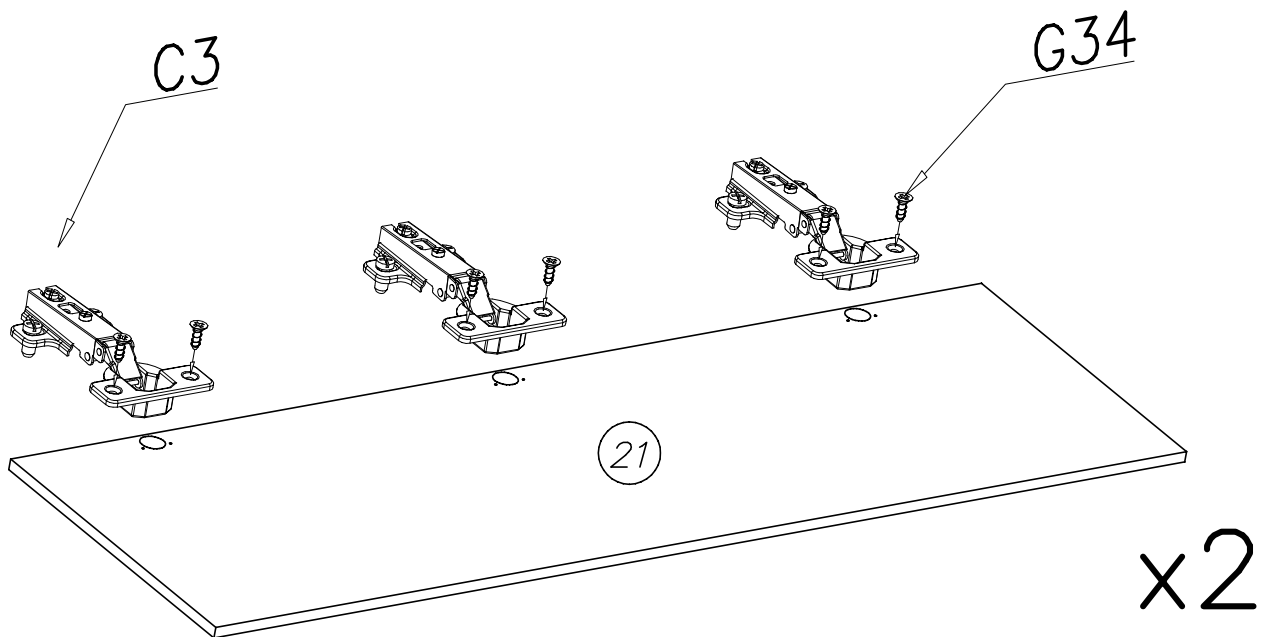
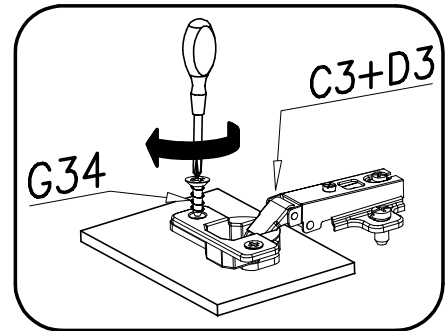
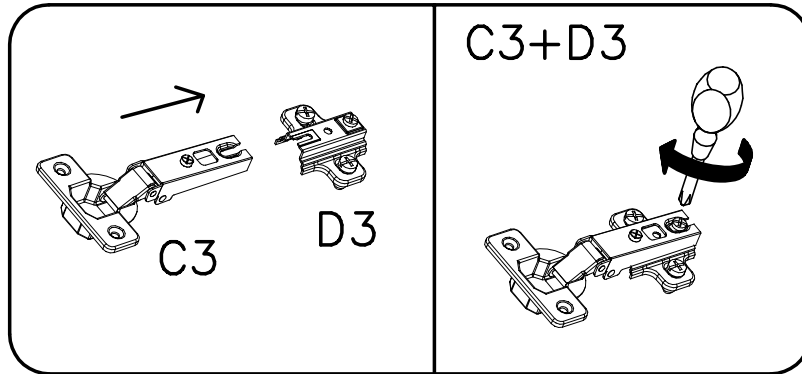
V



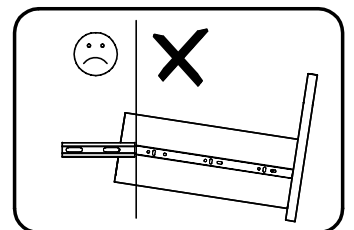
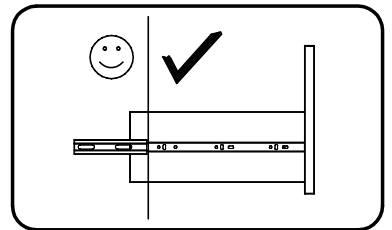
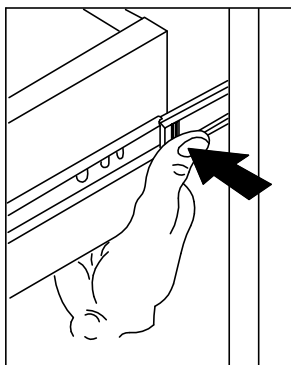
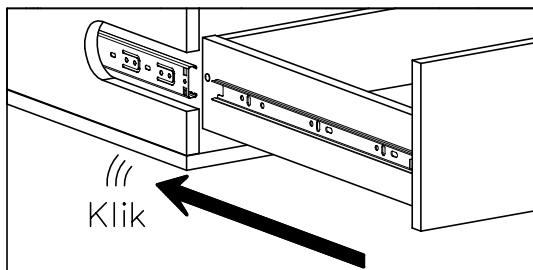
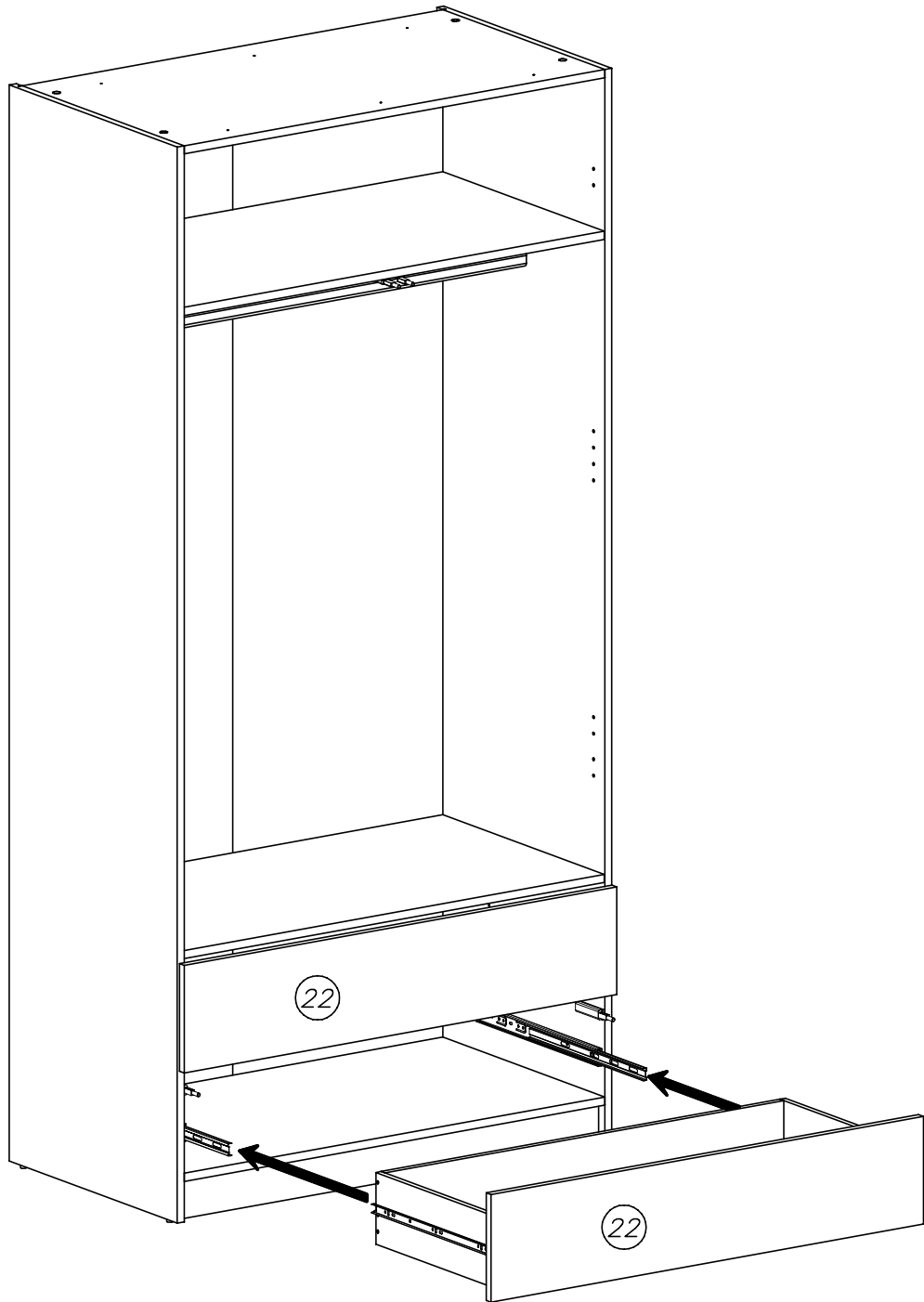
VI



VII



VIII



IX

