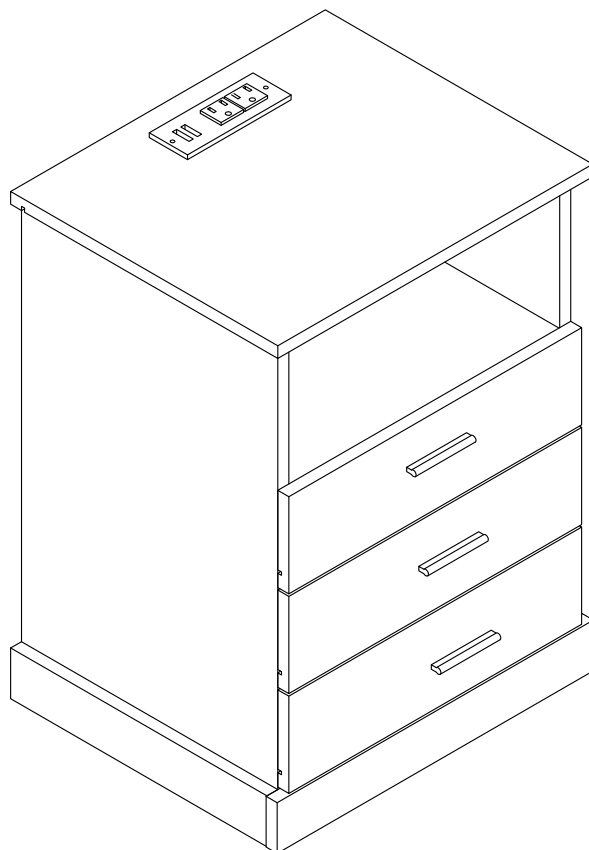

D8L243

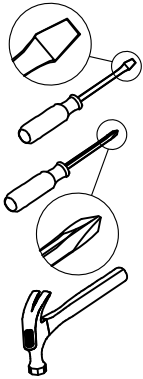


As this item contains many parts, please read the installation instruction carefully before installation . Please use tools properly and carefully. If you have any questions about the product and installation, please contact us.

hosoteservice@gmail.com

Our professional after-sales team will serve you online all day.

Before You Start

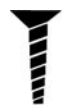


- ✓ Read through each step carefully and follow the proper order
- ✓ Separate and count all your parts and hardware
- ✓ Give yourself enough room for the assembly process
- ✓ Have the following tools: Flat Head Screwdriver, #2 Phillips Head Screwdriver and Hammer
- ✓ Caution: If using a power drill or power screwdriver for screwing, please be aware of to slow down and stop when screw is tight. Failure to do so may result in stripping the screw. (Assembly speed can be increased by using electric screwdriver)

Helpful Hints

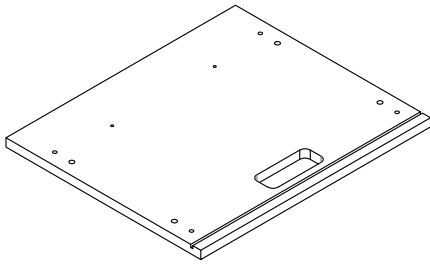
PEOPLE NEEDED FOR ASSEMBLY: 1-2

- Open your item in the area you plan to keep it to avoid excessive heavy lifting.
- Identify, sort and count the parts before attempting assembly.
- Compression dowels are lightly tapped in with a hammer.
- Slides are labeled with an **R** (right) and **L** (left) for proper placement.
- Make sure to always face the point on the top of the Cam Lock towards the outer edge.
- If there is a back panel in the package, please install it to make sure your unit is complete and sturdy.
- Please fix all the screws provided for the back panel which can enhance product stability. If it is difficult to fix when tightening, it can be fixed with the help of a hammer and then tightened.
- Do NOT use harsh chemicals or abrasive cleaners on this item.
- Never push, pull, or drag your furniture.



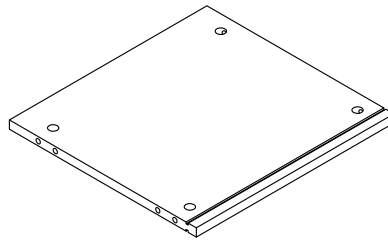
Board Identification

Not actual size



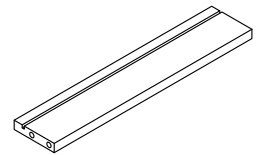
(A)

TOP



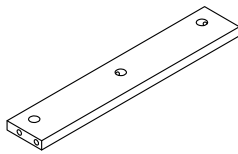
(B)

FIXED SHELF



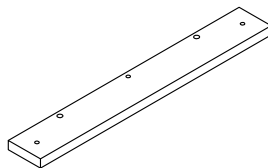
(C)

REAR RAIL



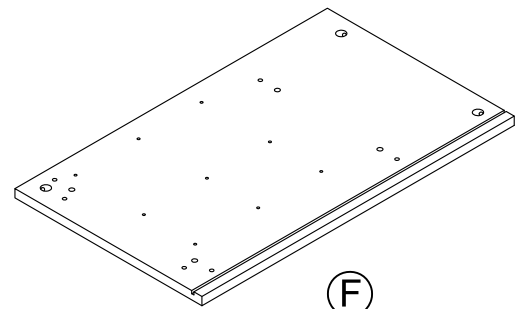
(D)

FRONT RAIL



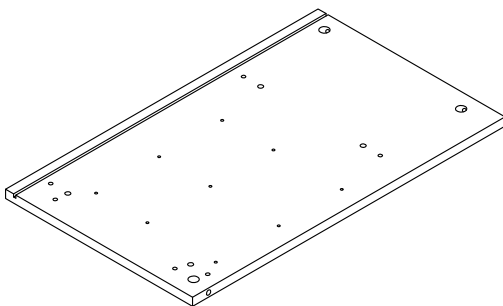
(E)

BOTTOM RAIL



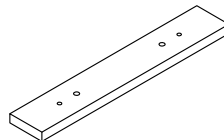
(F)

LEFT SIDE PANEL



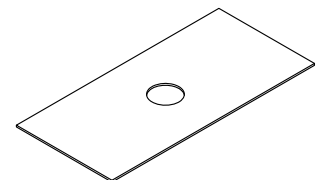
(G)

RIGHT SIDE PANEL



(H)

SIDE RAIL
Qty:2

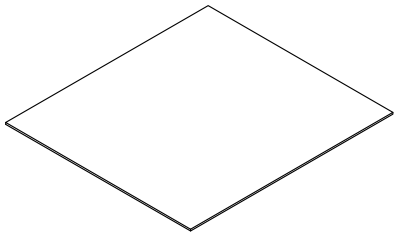


(I)

BACK PANEL

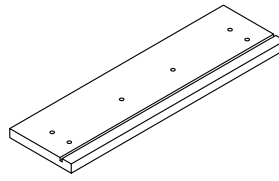
Board Identification

Not actual size



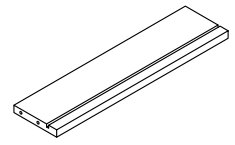
ⓐ

BACK PANEL



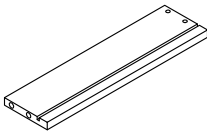
ⓑ

DRAWER FRONT
PANEL
Qty:3



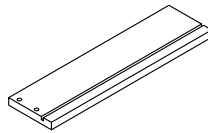
ⓒ

DRAWER BACK PANEL
Qty:3



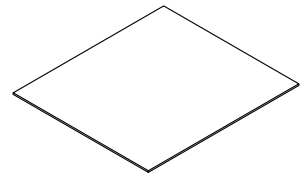
ⓓ

DRAWER LEFT
SIDE PANEL
Qty:3



ⓔ

DRAWER RIGHT
SIDE PANEL
Qty:3

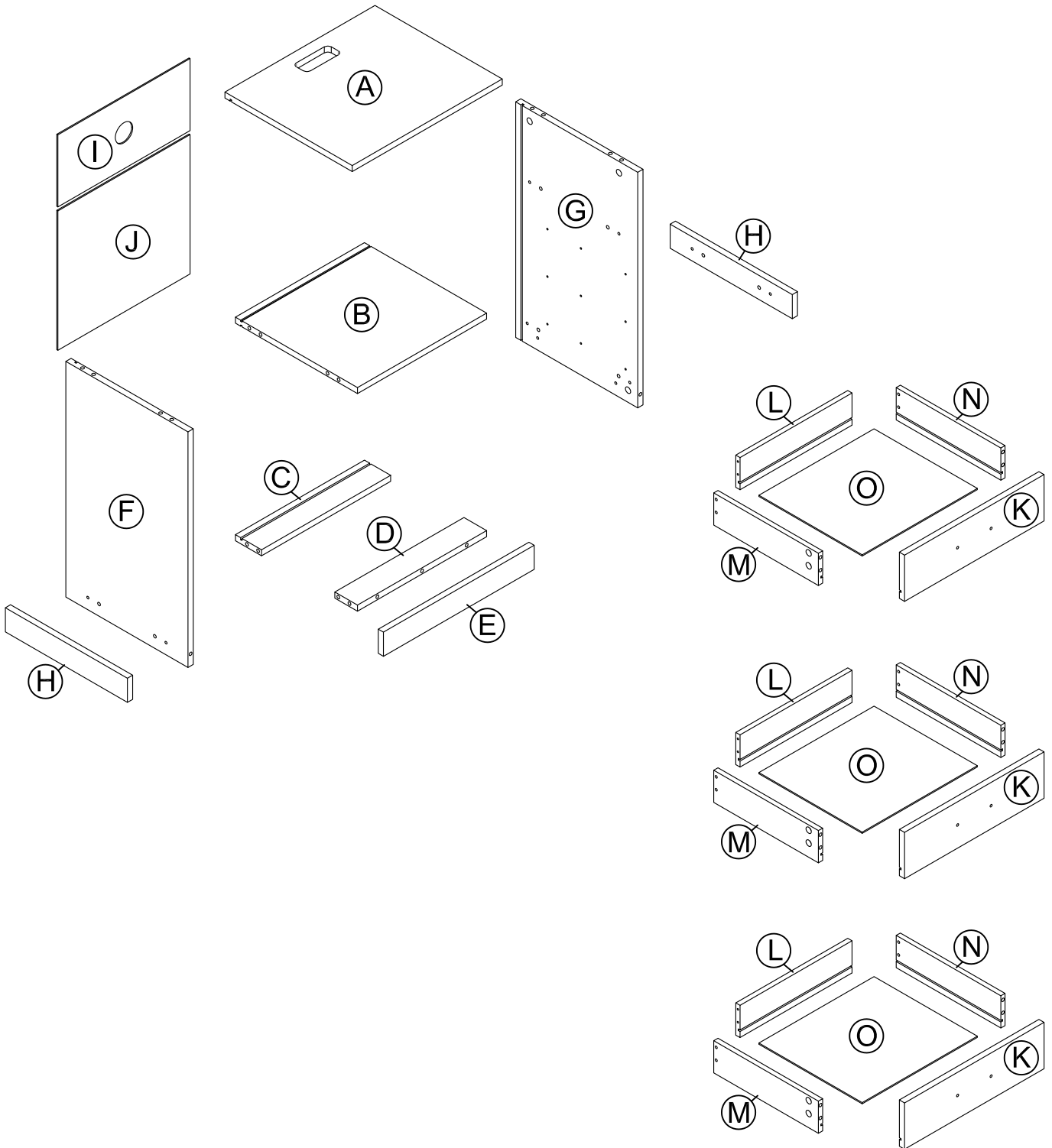


ⓕ

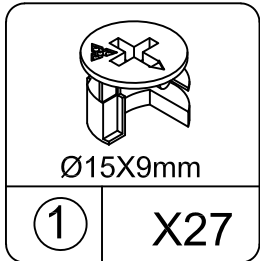
DRAWER BOTTOM
PANEL
Qty:3

Board Identification

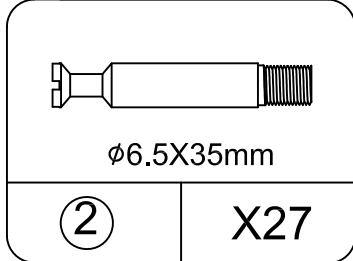
Not actual size



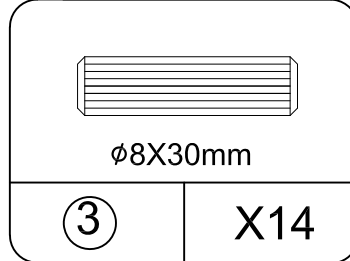
Part List



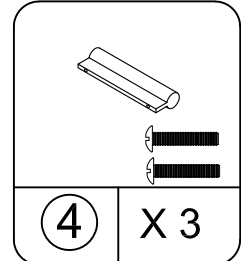
CAM LOCK
spare: 2



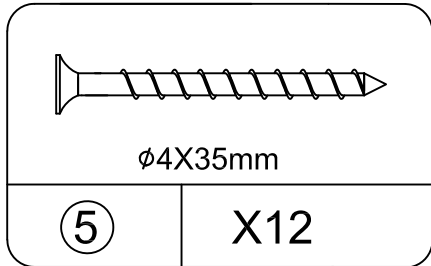
CAM BOLT
spare: 2



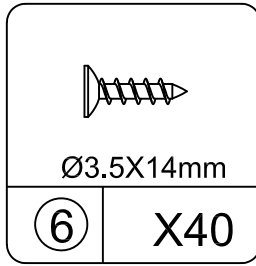
WOOD DOWEL
spare: 1



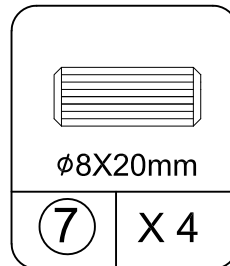
HANDLE



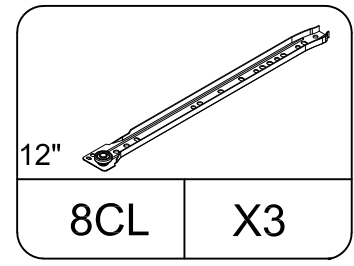
SCREW
spare: 1



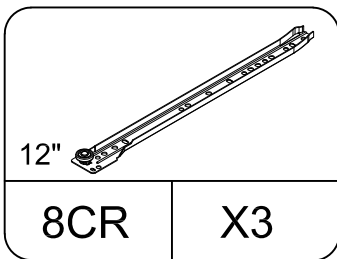
SCREW
spare: 2



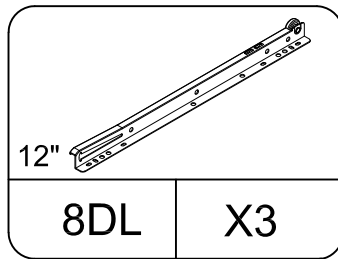
WOOD DOWEL
spare: 1



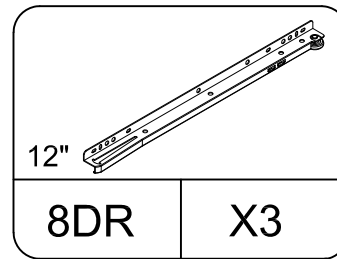
LEFT CABINET MEMBER



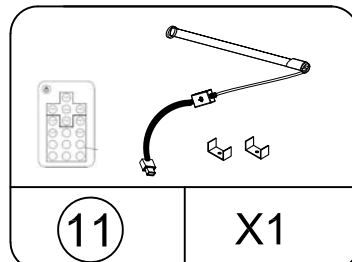
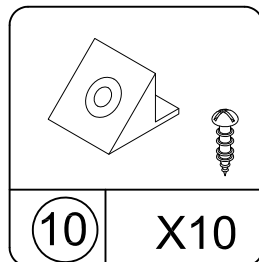
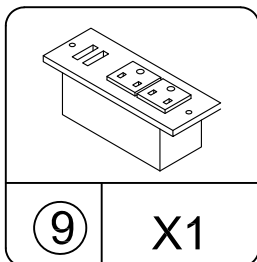
RIGHT CABINET MEMBER



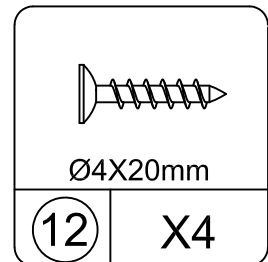
LEFT DRAWER RUNNER



RIGHT DRAWER RUNNER



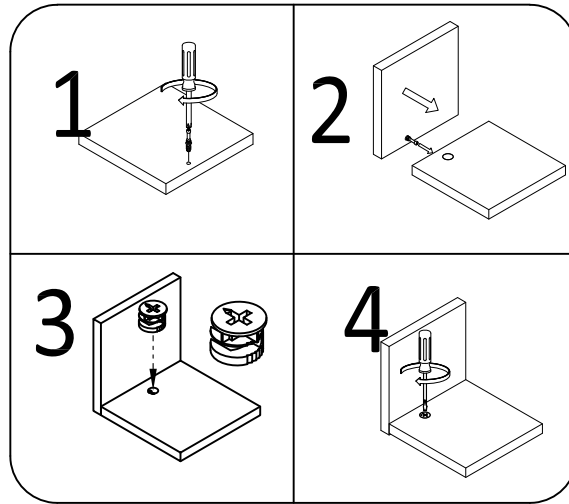
LIGHT BULB



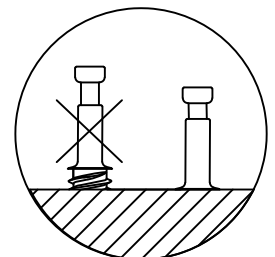
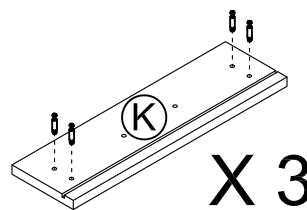
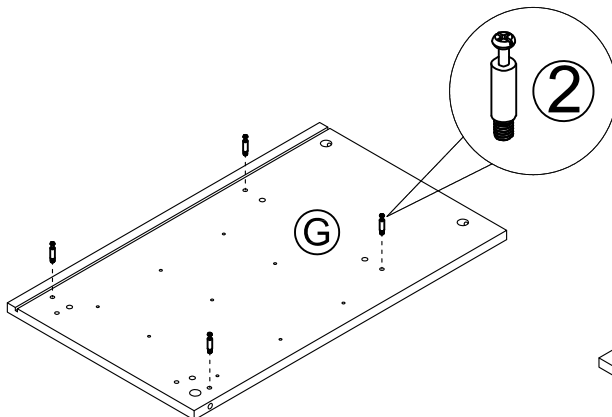
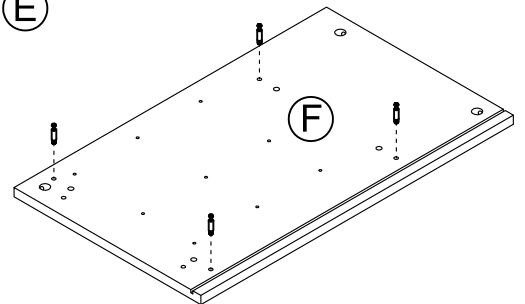
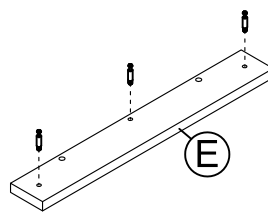
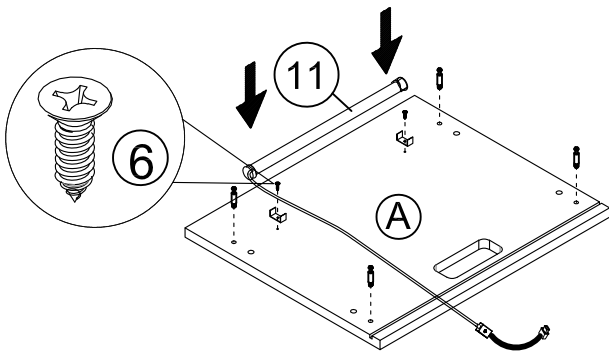
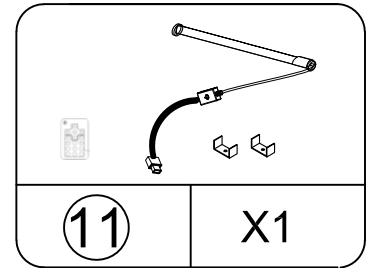
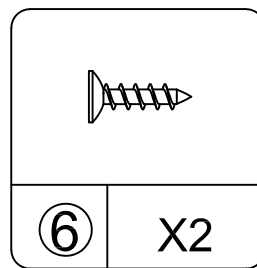
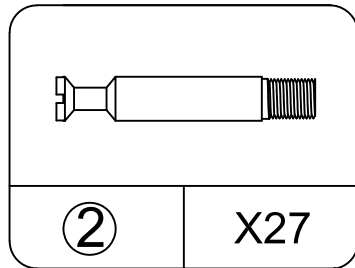
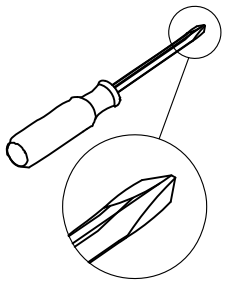
SCREW
spare: 1

Cam Lock Fastening System

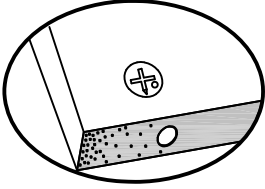
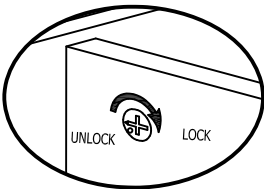
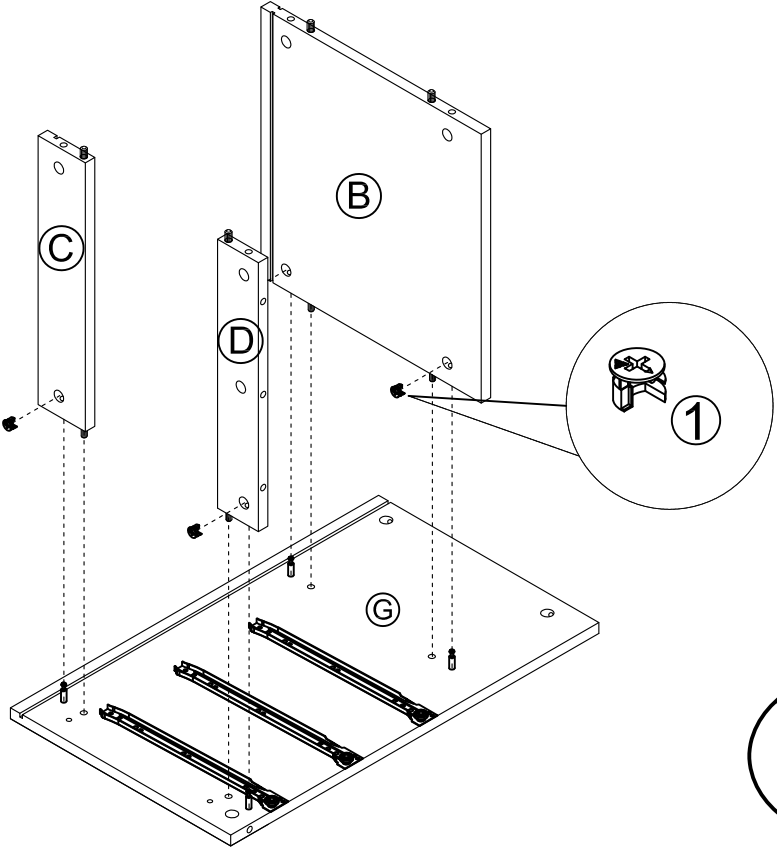
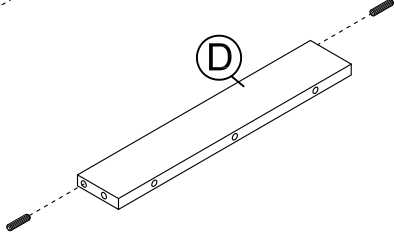
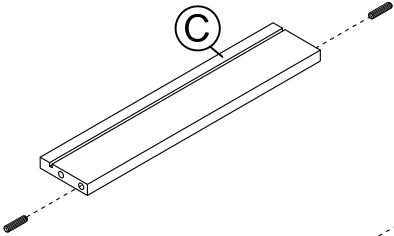
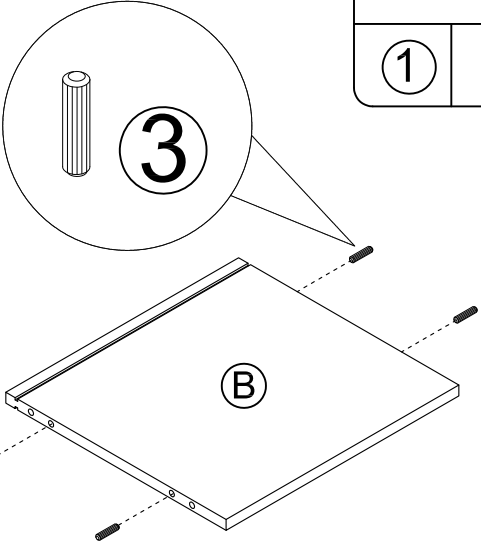
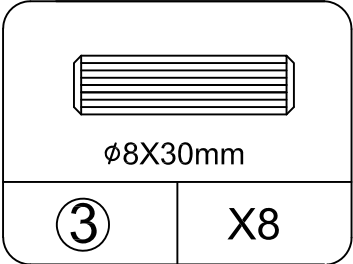
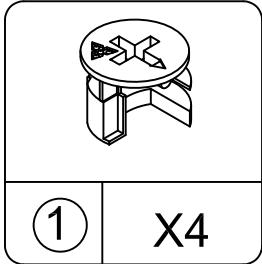
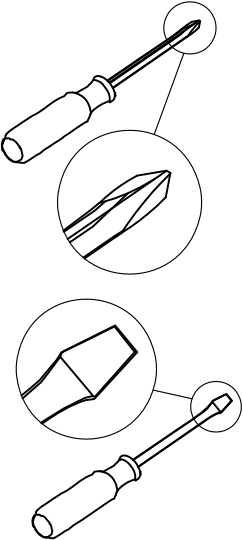
Insert the cam bolt into the hole first, then insert the cam lock and lock it.



STEP 1

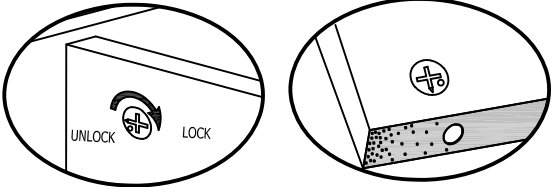
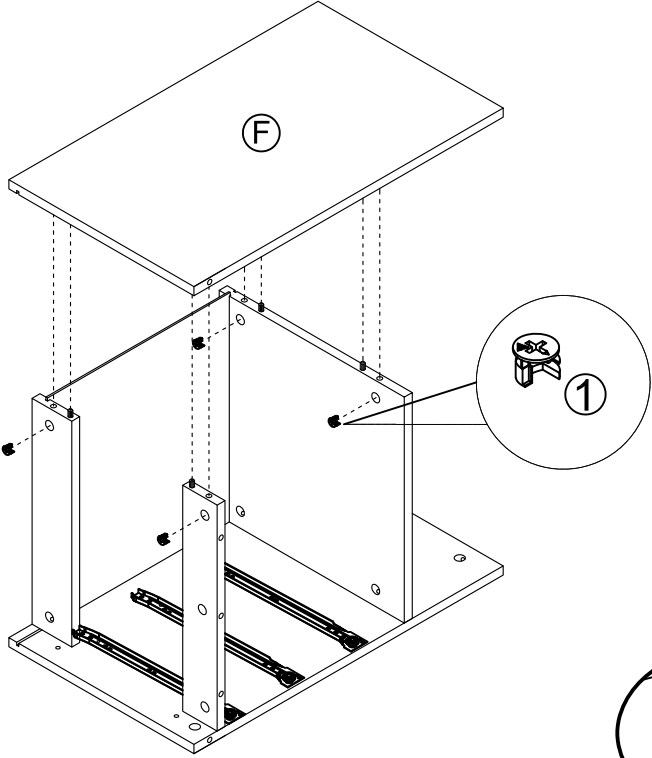
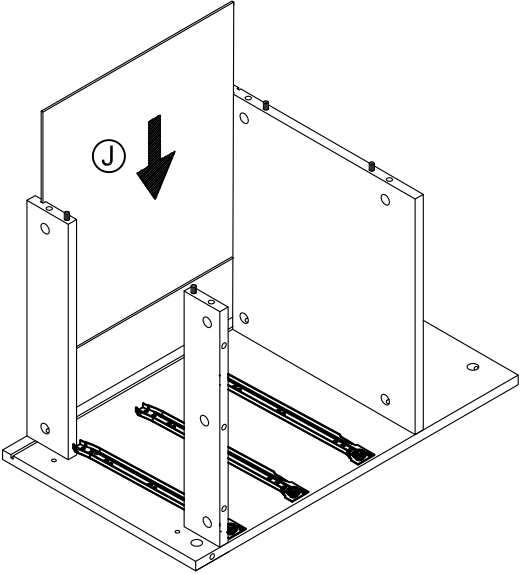
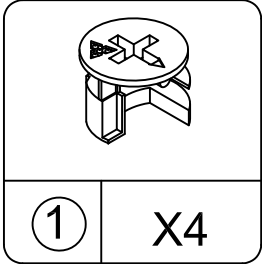
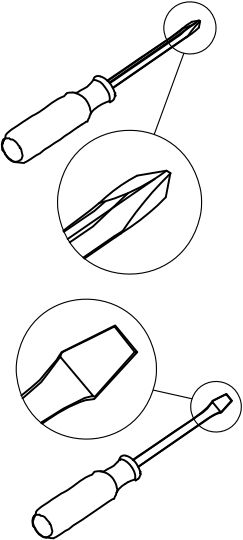


STEP 3



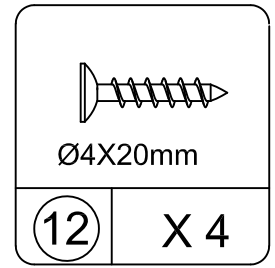
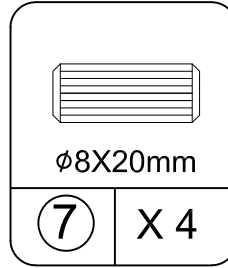
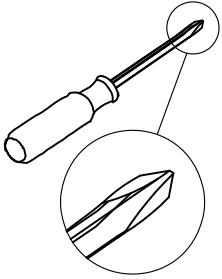
Proper orientation of CAM LOCK

STEP4

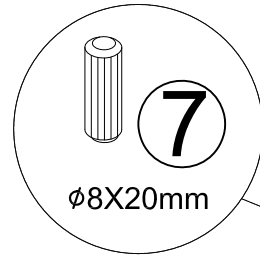
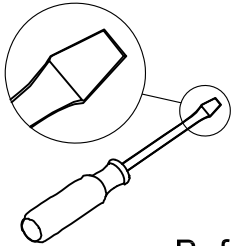


Proper orientation of CAM LOCK

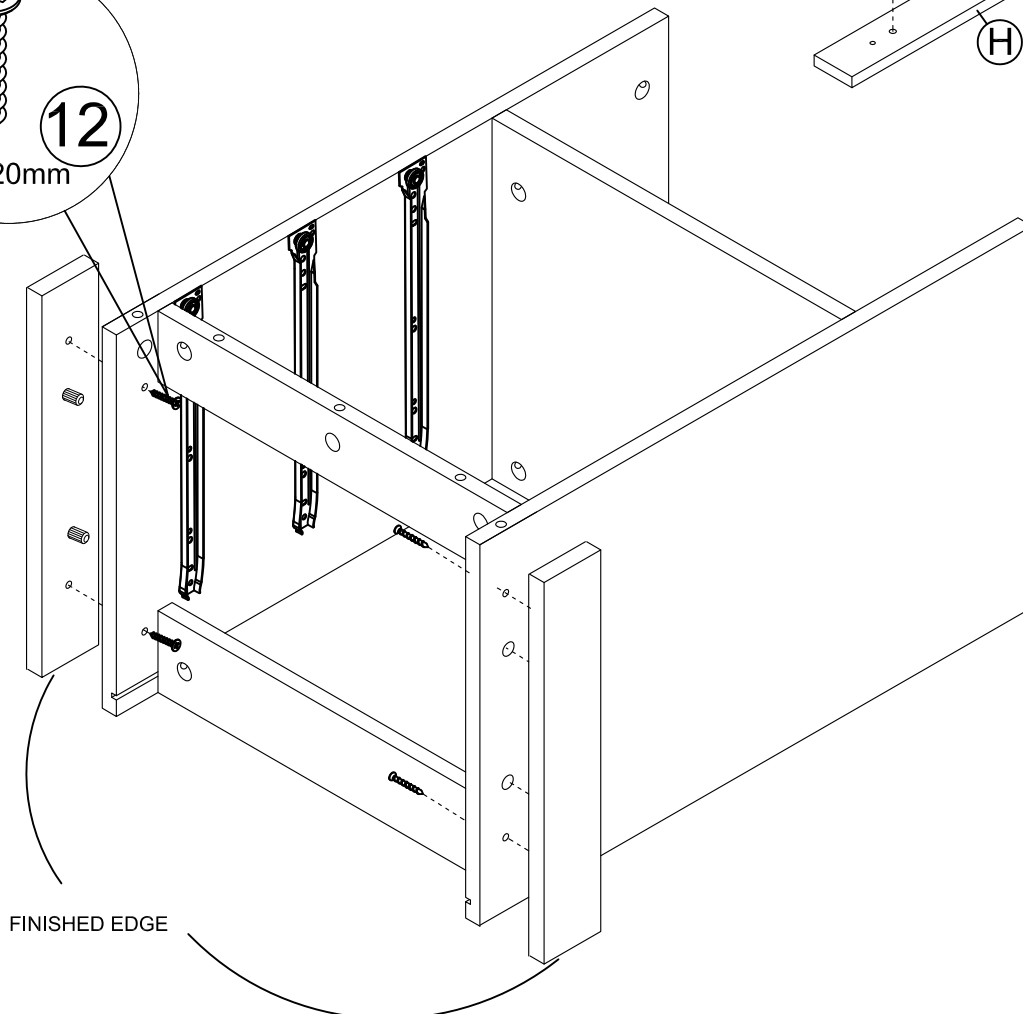
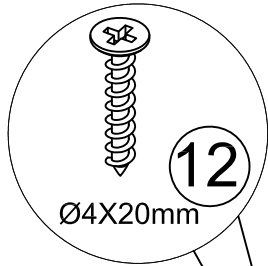
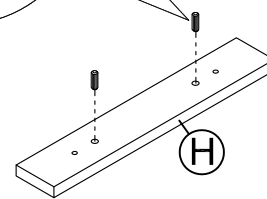
STEP5



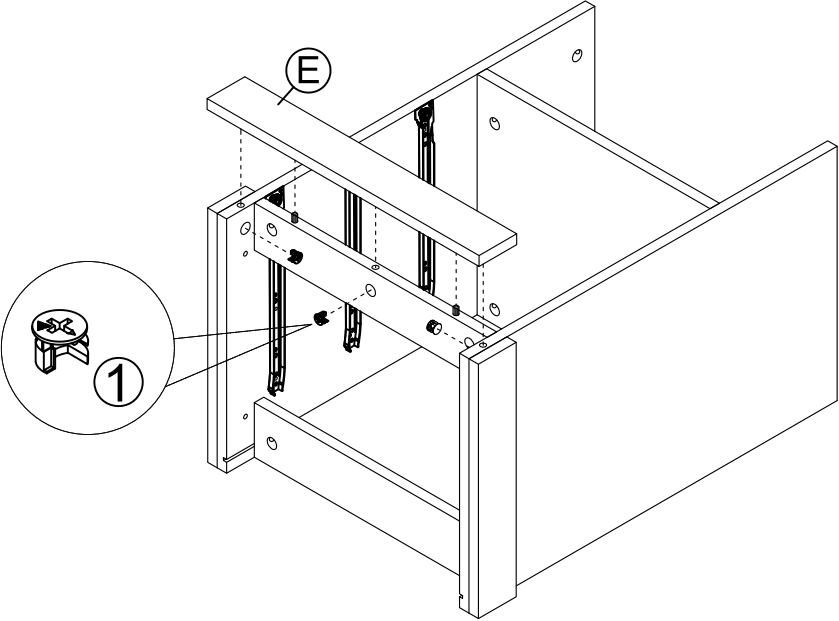
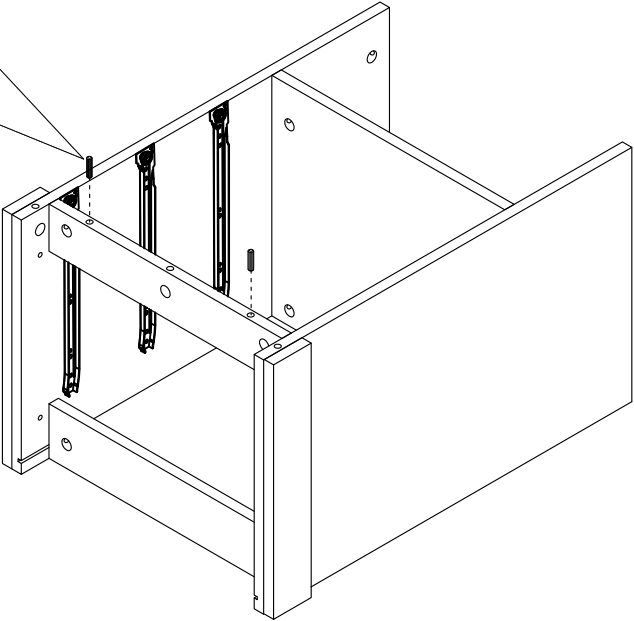
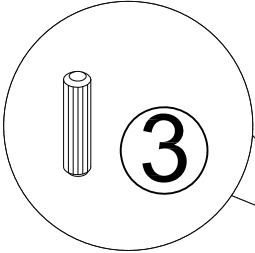
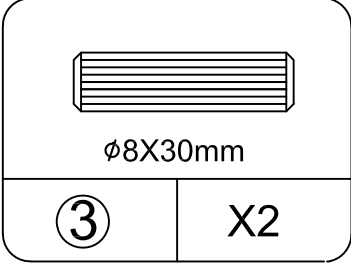
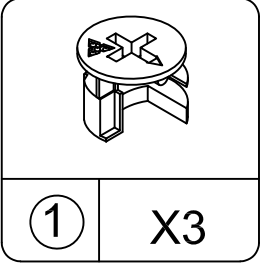
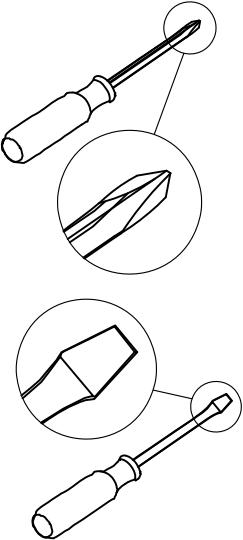
Before you install this wood dowel, please make sure the wood size is $\phi 8 \times 20 \text{mm}$



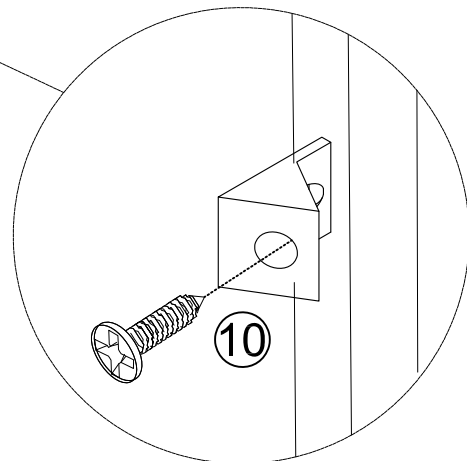
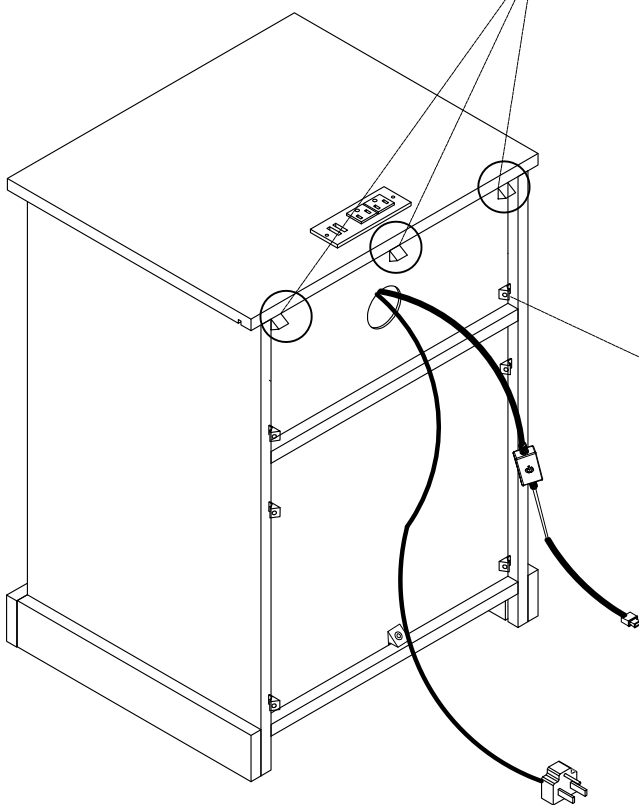
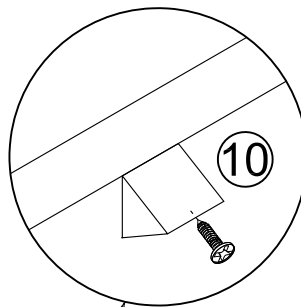
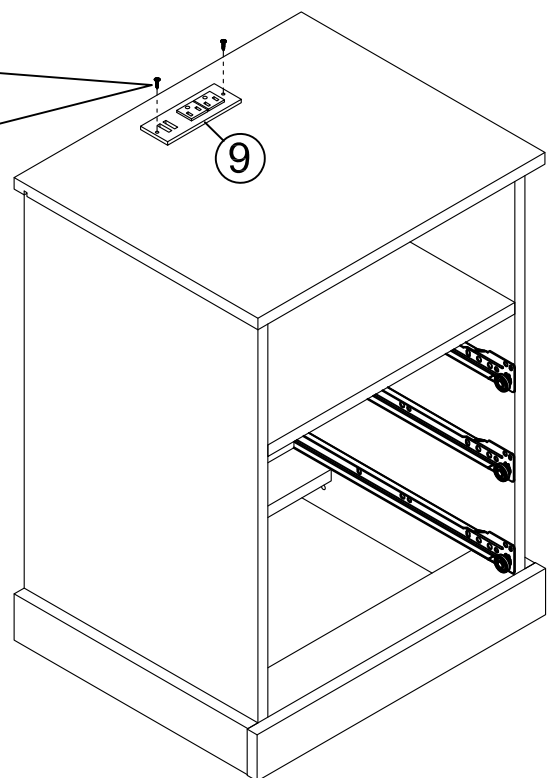
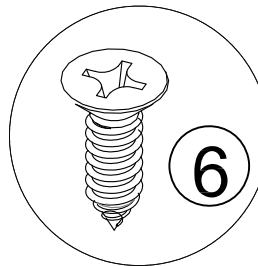
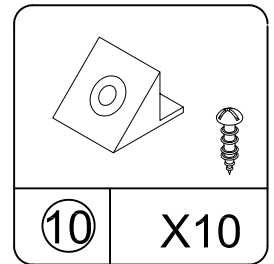
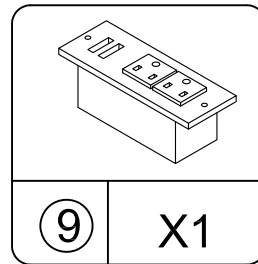
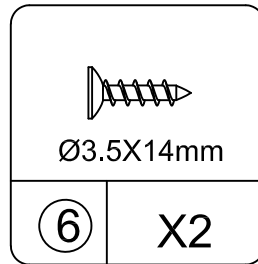
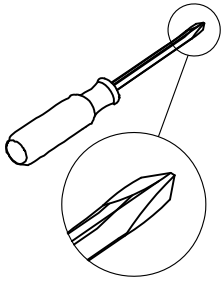
Before you install this screw, please make sure the screw size is $\phi 4 \times 20 \text{mm}$



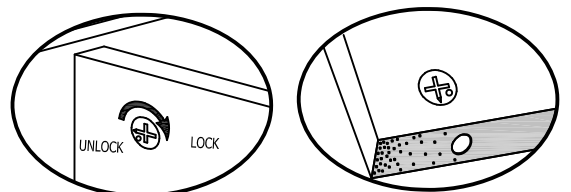
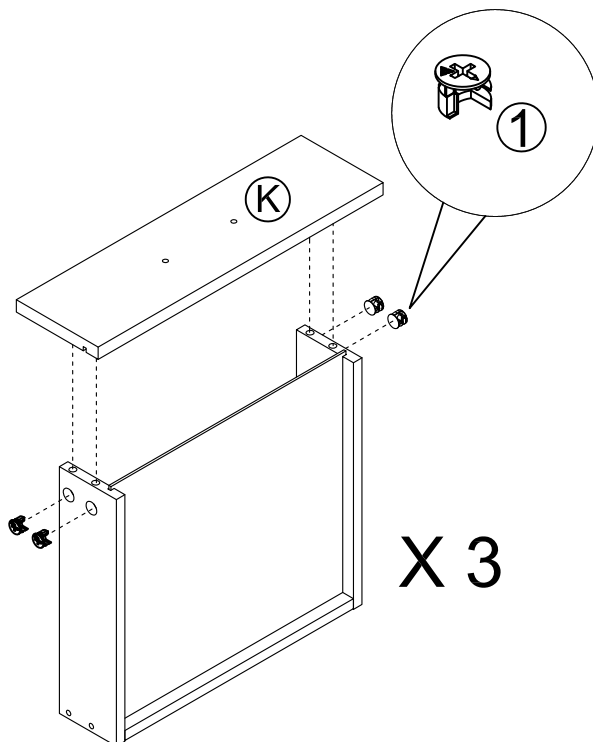
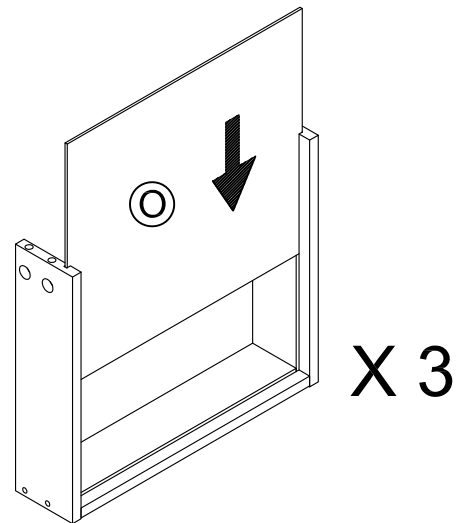
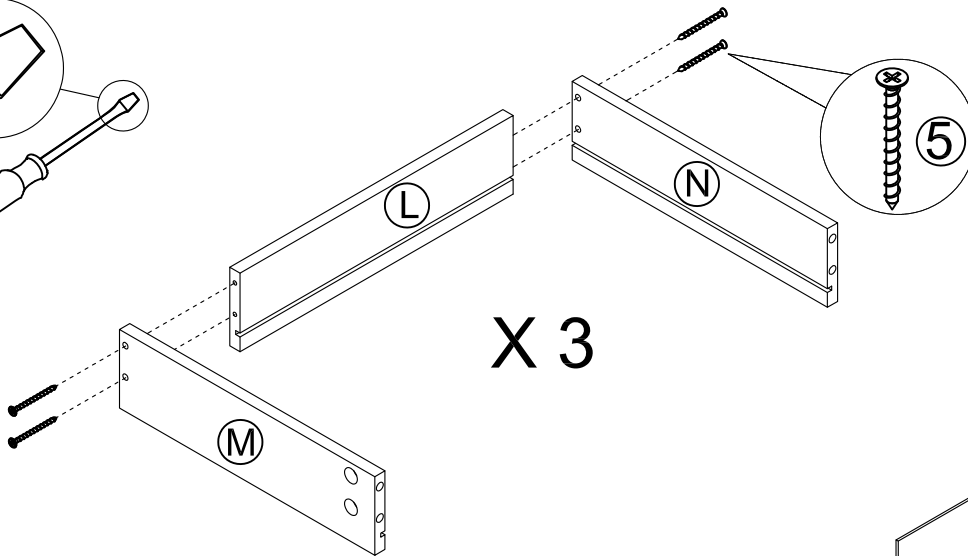
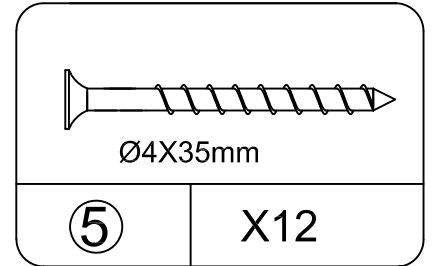
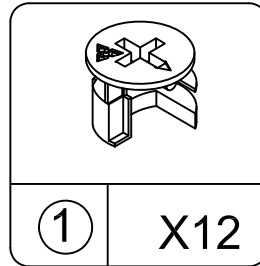
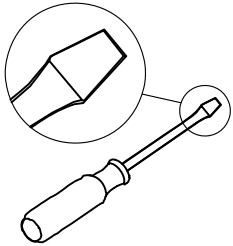
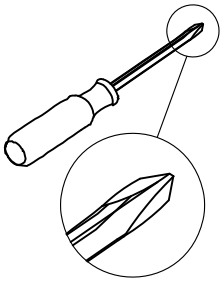
STEP 6



STEP 8

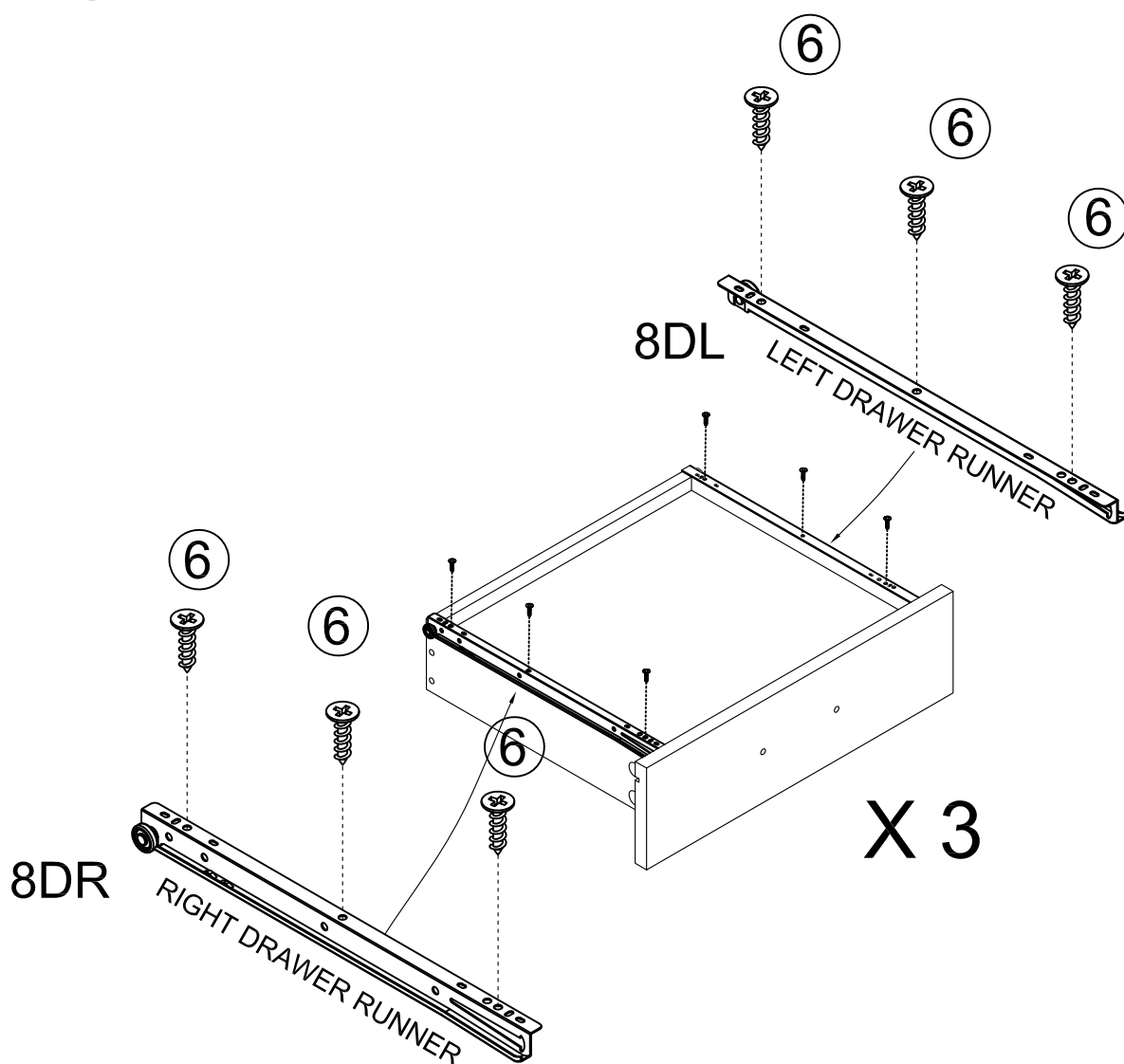
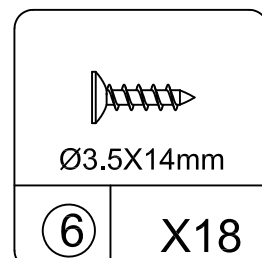
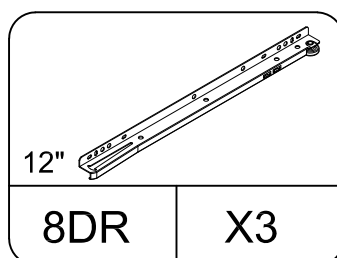
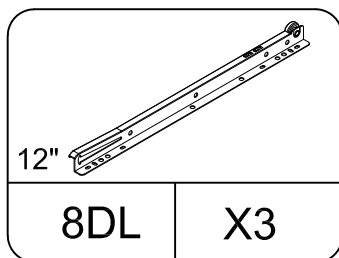
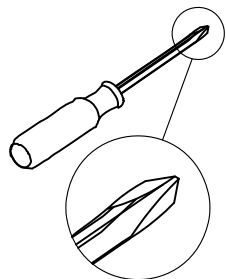


STEP 9

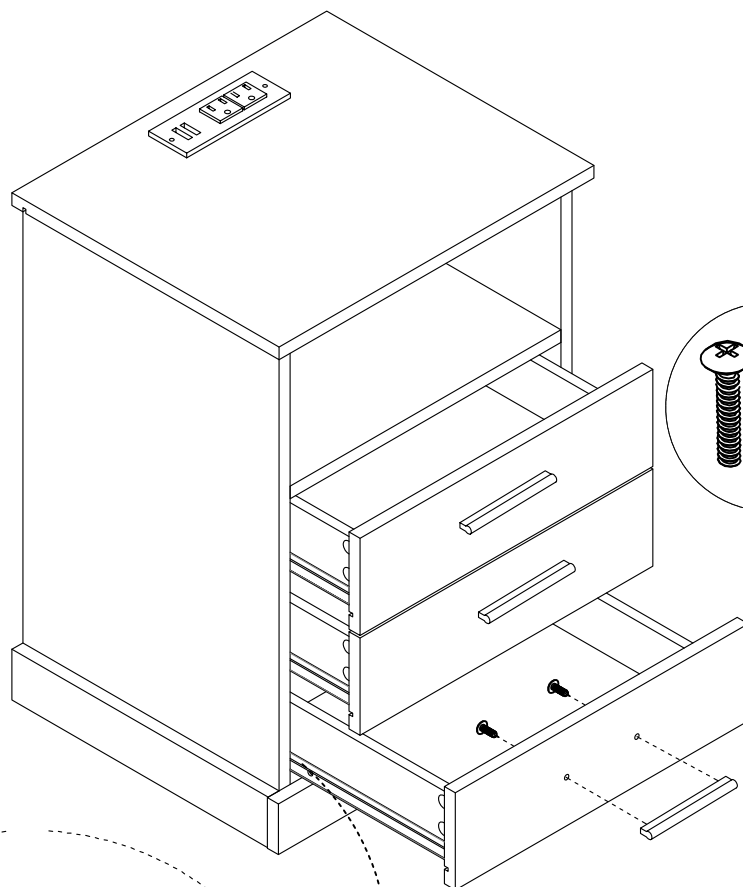
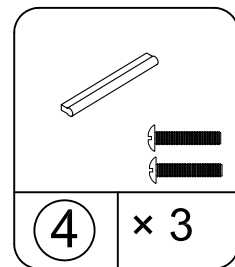
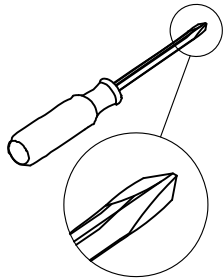


Proper orientation of CAM LOCK

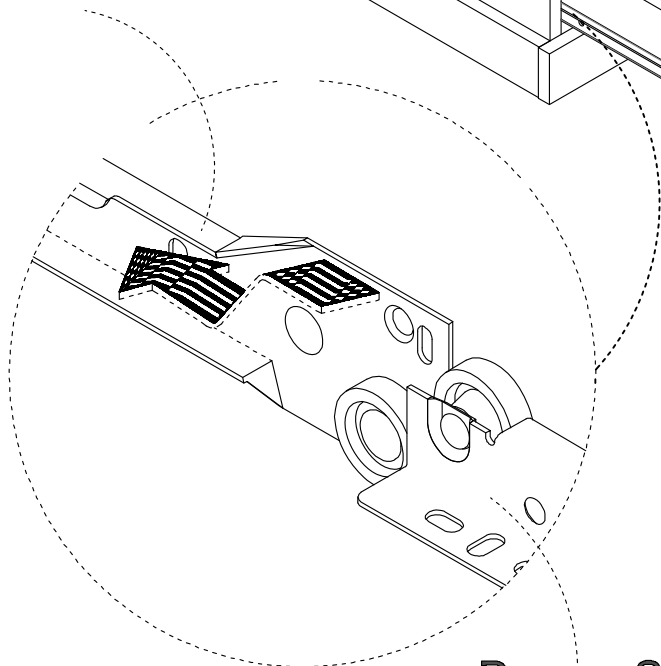
STEP10



STEP 11



Cabinet Slide



Drawer Slide

STEP12

To use the remote control function of the light strip, please read the light strip manual.

