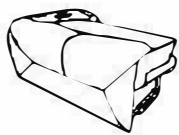
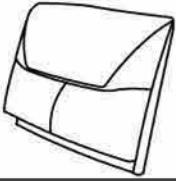



ASSEMBLY INSTRUCTION




LSF POWER RECLINING CHAIR WITH USB

NOTE: Do not use power tools for assembly. Power tools increase the risk of over tightening which lead to splitting or cracking the wood.

COMPONENT LIST

NO.	DRAWING	QTY	DESCRIPTION
A		1PC	SEAT
B		1PC	BACK REST
C		1PC	LSF ARMREST

HARDWARE LIST

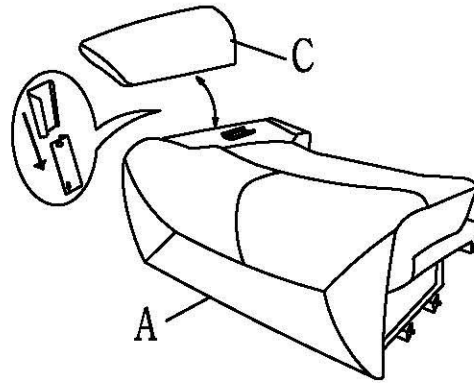
NO.	DRAWING	QTY	DESCRIPTION
1		1PC	ADAPTOR
2		1PC	PLUG WITH WIRE
3		1PC	Y-CABLE

NOTE:

*ADAPTOR SET PACKED IN 9579GRY-RRPW or 9579GRY-RCPW and 9579GRY-LRPW or 9579GRY-LCPW.

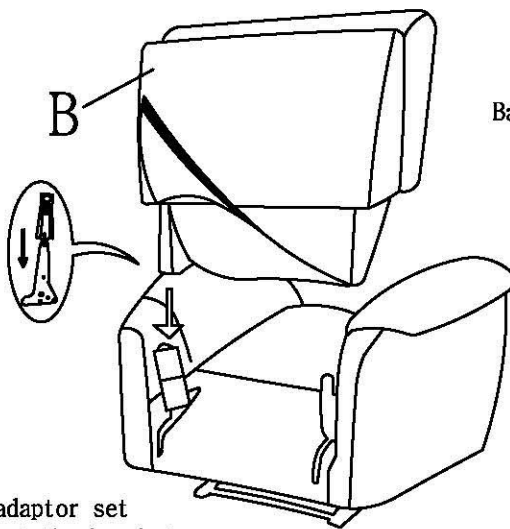
Step#1

Please insert the LSF armrest to the seat and make sure it is secured in position.



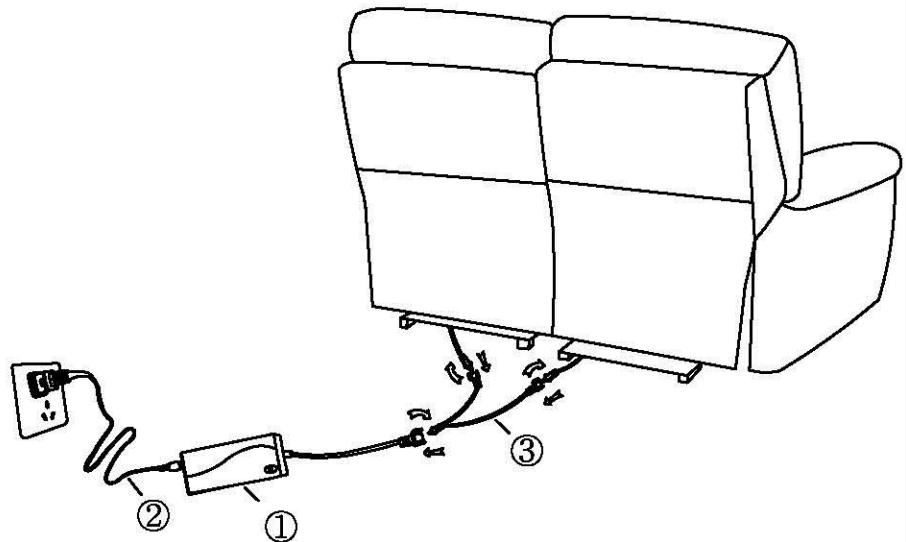
Step#2

Align the female brackets at the back onto the male brackets at the seat, insert back rest to the seat then push to the end and make sure it is fixed in position securely.

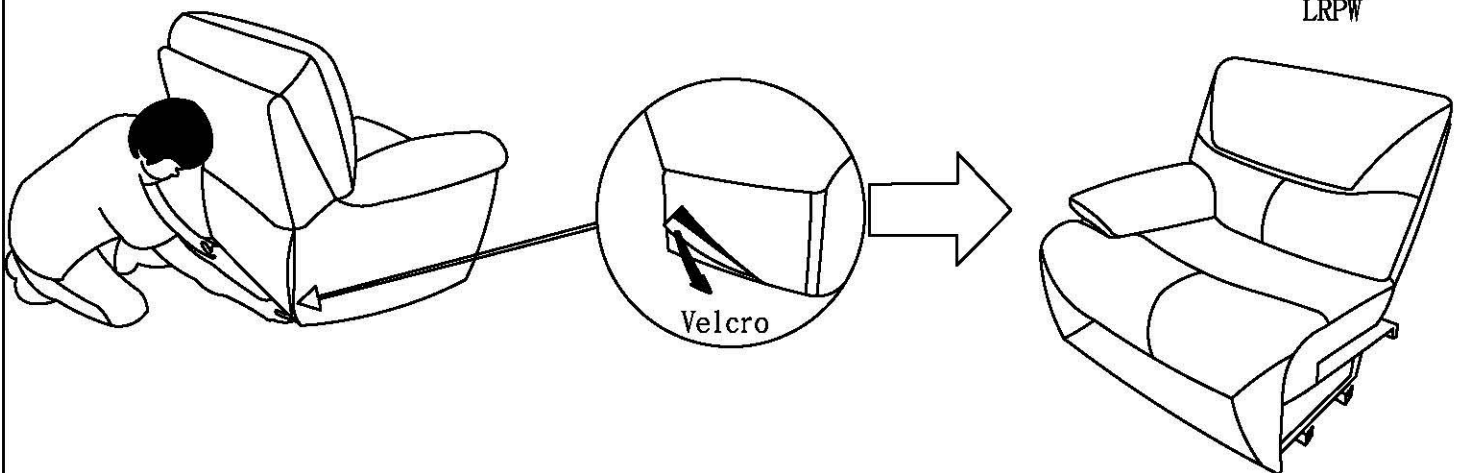


Back Rest Installation

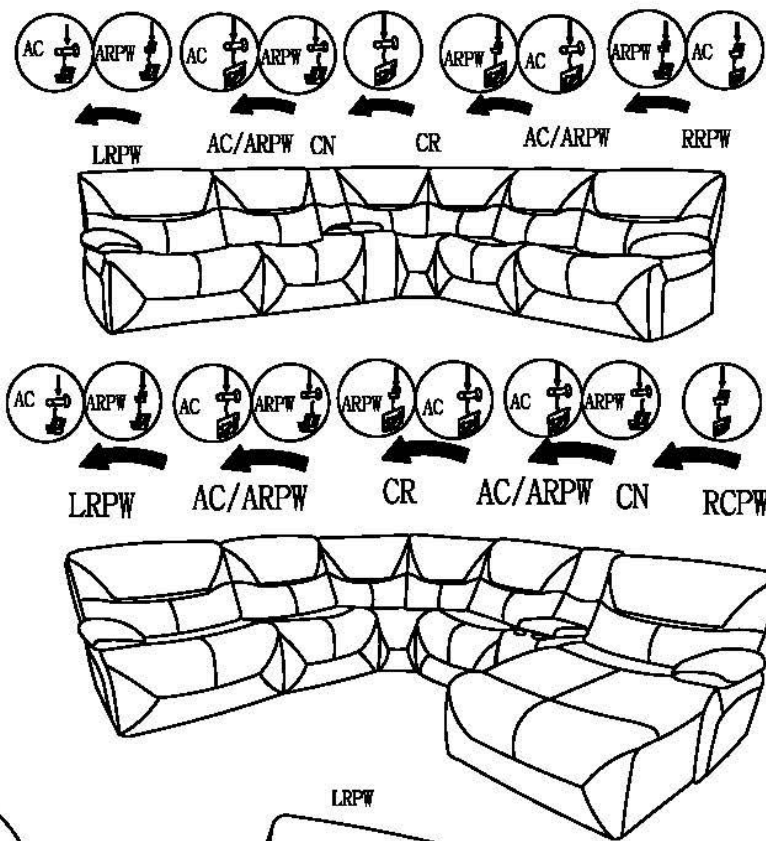
Unpack adaptor set located at the bracket



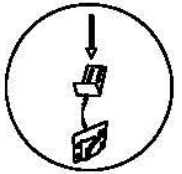
Step#3



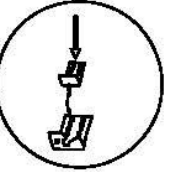
Step#4



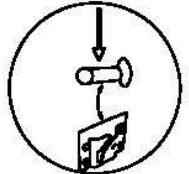
RRPW → AC
 ARPW → CR
 ARPW → CN



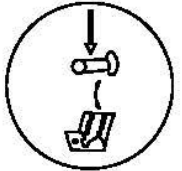
RRPW → ARPW
 ARPW → LRPW



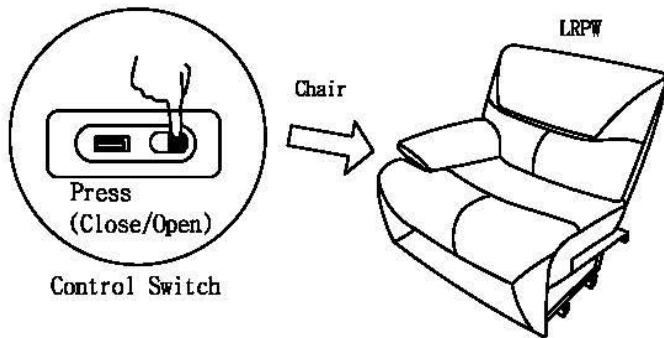
AC → CR
 CN → AC
 CR → CN



CN → ARPW
 AC → LRPW
 CR → ARPW
 CN → LCPW



Step#5



CARE INSTRUCTION FOR LEATHER GEL

In order to maintain the original appearance of your leather gel, please follow below simple care procedure:

- Avoid exposing furniture directly to sunlight or heating and air conditioning outlets. Exposure to sunlight or heating and air conditioning outlets will fade/damage leather gel.
- Wipe gently with a damp soft cloth to remove dust, dirt and any grime build up.



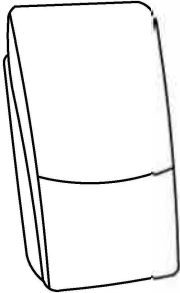
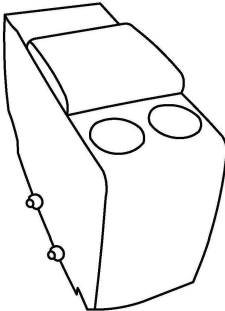

- Disconnect the electrical plug from the wall outlets before cleaning, moving, servicing or when not in use for an extended period of time.
- Plug directly into a wall outlet. Do not use an extension cord or adaptor.
- Check the condition of the power transformers, electrical cords, plugs and connectors monthly. Keep the power adaptor and electrical cords away from heat sources. Never operate the unit with a damaged power adaptor, electrical cord, plug or connector.
- Before moving the product, please disconnect the electrical plug from the wall outlet and secure the mechanism to prevent unexpected opening or movement. Never move the product by the mechanism, legrest, handle, or reclining back.
- Do not attempt to disassemble or service the adaptor or motor. No serviceable parts are inside.
- Do not allow electrical cord to be pinched between moving parts or between the frame and the floor. Do not place cord under carpet or in location where it could become worn.
- Unplug the power cord immediately if you detect strange odors or fumes coming from the chair.

PLEASE KEEP ASSEMBLY INSTRUCTION FOR FUTURE REFERENCE

ASSEMBLY INSTRUCTION CONSOLE

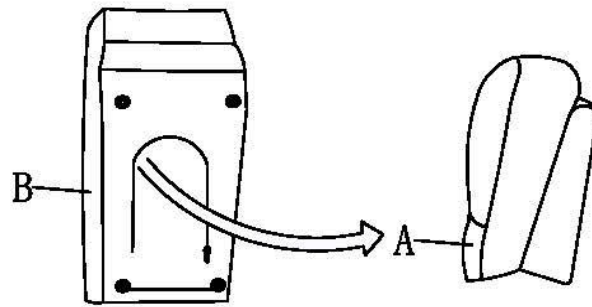
NOTE: Do not use power tools for assembly. Power tools increase the risk of over tightening which leads to splitting or cracking the wood.

COMPONENT LIST

NO.	DRAWING	QTY	DESCRIPTION
A		1PC	BACK REST
B		1PC	CONSOLE
C		2PC	BOLT

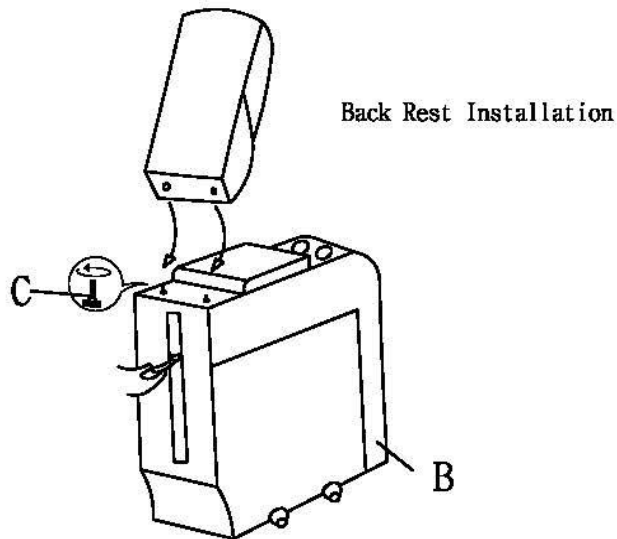
Step#1

Console back rest is stored in non-woven bag and put in the bottom of console. Please take out for assembly.

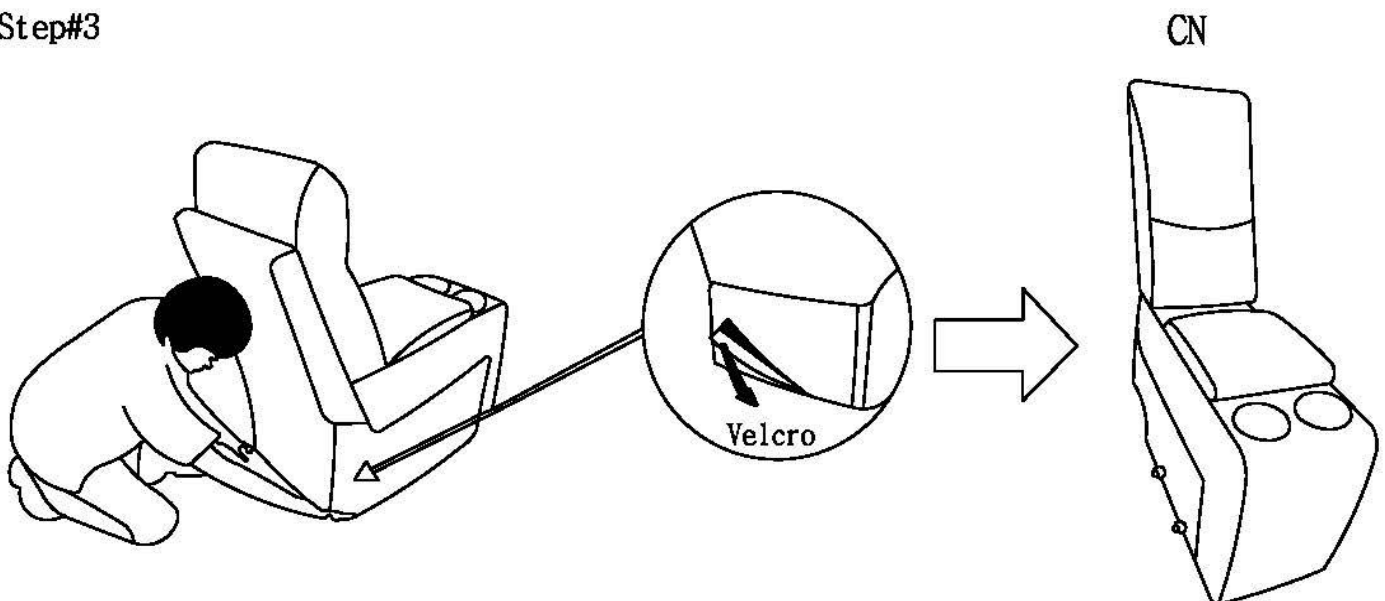


Step#2

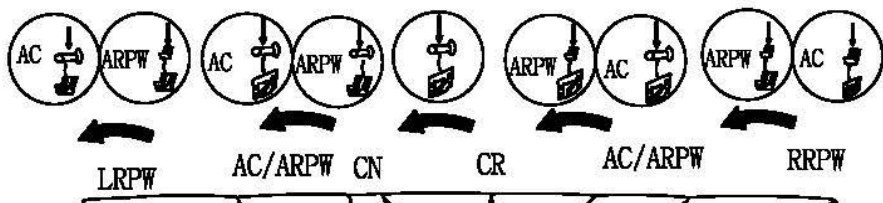
Please unzip the back of the console base and insert the bolts upward through the pre-drilled holes and align it through the holes on the bottom of the console back. Tighten each bolt by turning it counter-clockwise until the console back is secured in place.



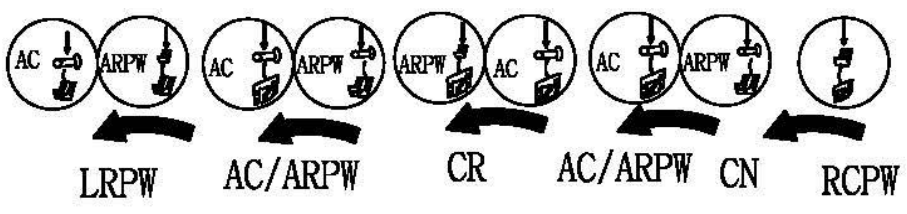
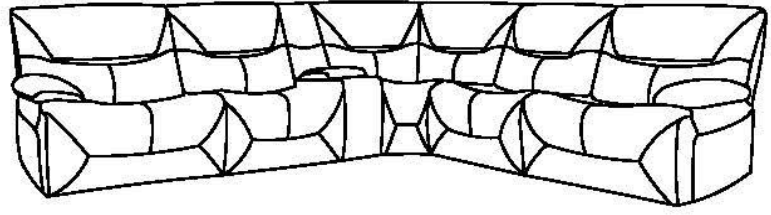
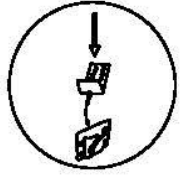
Step#3



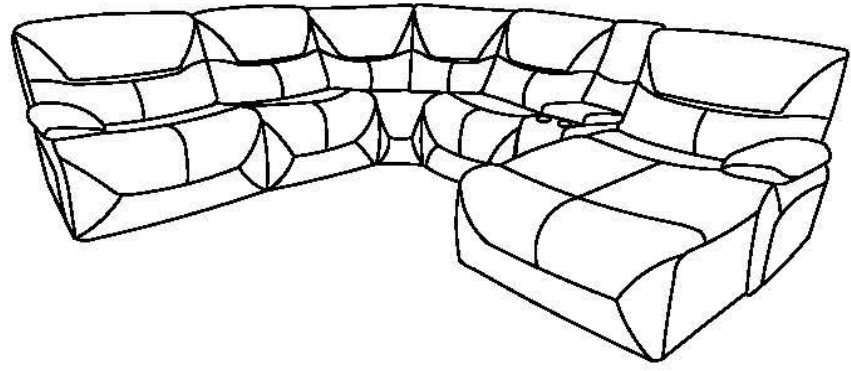
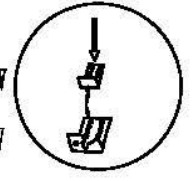
Step#4



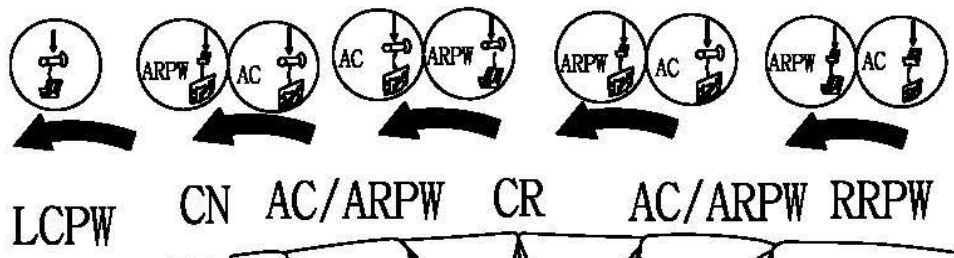
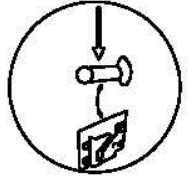
RRPW → AC
 ARPW → CR
 ARPW → CN
 RCPW → CN



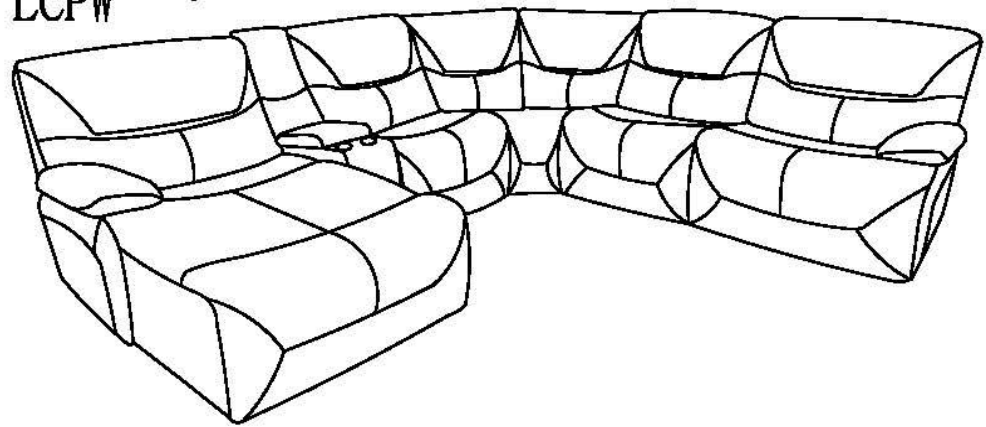
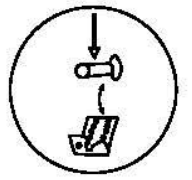
RRPW → ARPW
 ARPW → LRPW



AC → CR
 CR → CN
 CN → AC



CN → ARPW
 AC → LRPW
 CR → ARPW
 CN → LCPW



CARE INSTRUCTION FOR LEATHER GEL

In order to maintain the original appearance of your leather gel, please follow below simple care procedure:

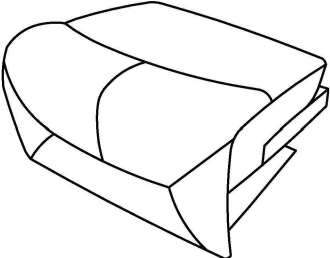
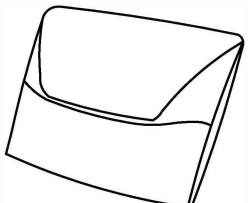
- Avoid exposing furniture directly to sunlight or heating and air conditioning outlets. Exposure to sunlight or heating and air conditioning outlets will fade/damage leather gel.
- Wipe gently with a damp soft cloth to remove dust, dirt and any grime build up.

ASSEMBLY INSTRUCTION

ARMLESS CHAIR

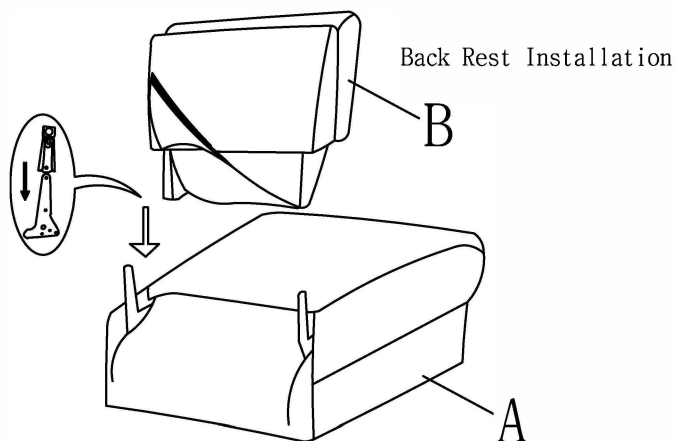
NOTE: Do not use power tools for assembly. Power tools increase the risk of over tightening which lead to splitting or cracking the wood.

COMPONENT LIST

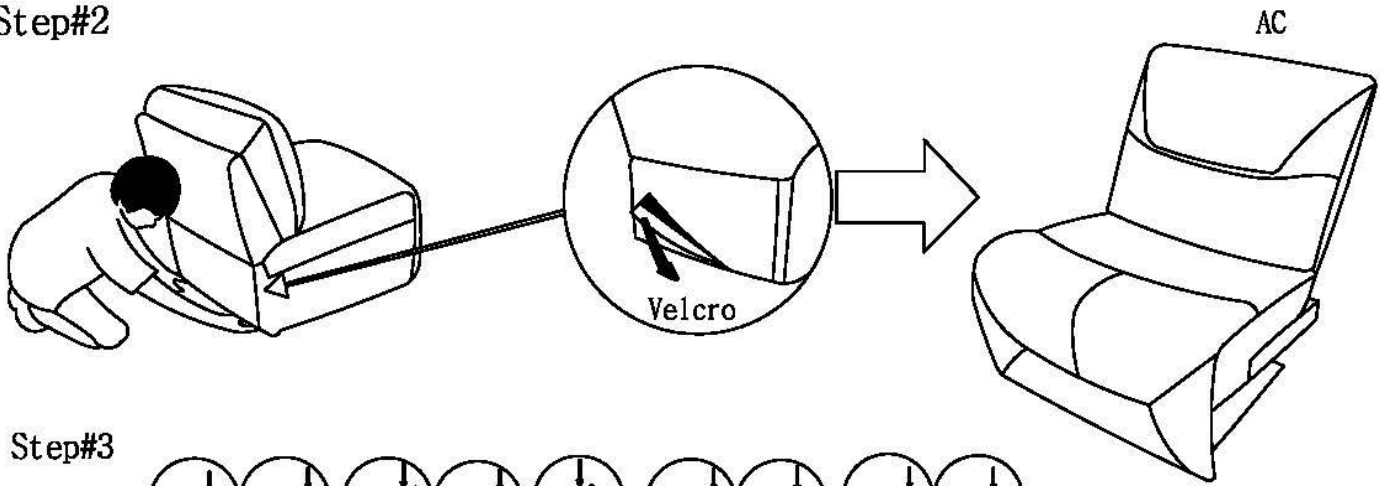
NO.	DRAWING	QTY	DESCRIPTION
A		1PC	SEAT
B		1PC	BACK REST

Step#1

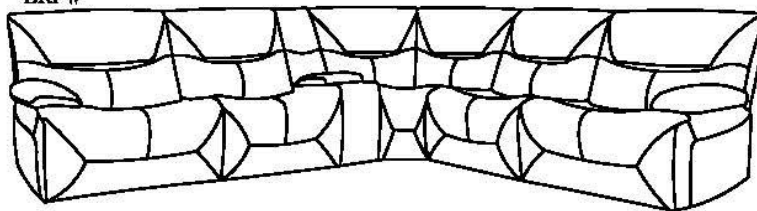
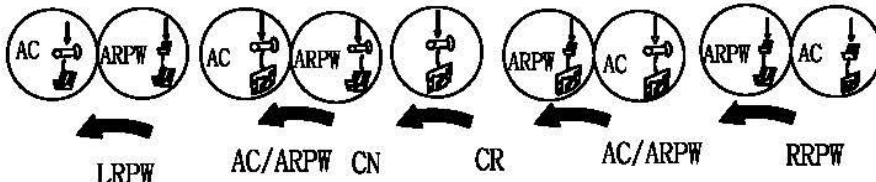
Align the female brackets at the back onto the male brackets at the seat, insert back rest to the seat then push to the end and make sure it is fixed in position securely.



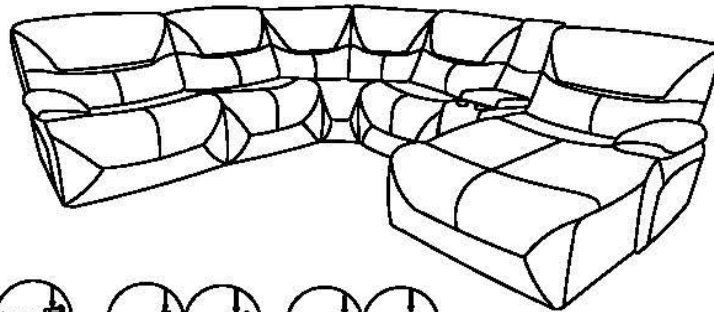
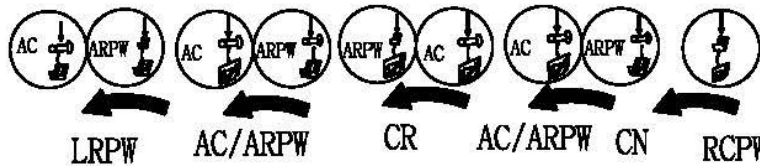
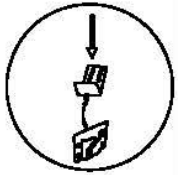
Step#2



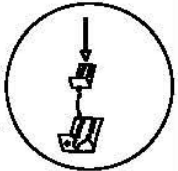
Step#3



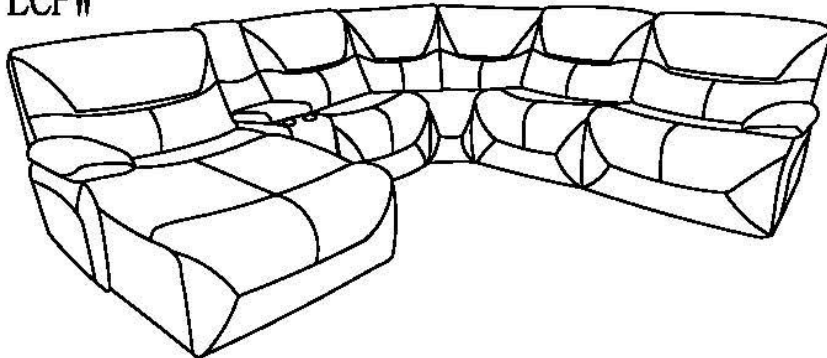
RRPW → AC
 ARPW → CR
 ARPW → CN
 RCPW → CN



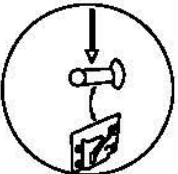
RRPW → ARPW
 ARPW → LRPW



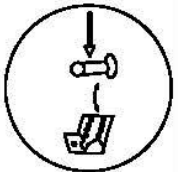
LCPW CN AC/ARPW CR AC/ARPW RRPW



AC → CR
 CR → CN
 CN → AC



CN → ARPW
 AC → LRPW
 CR → ARPW
 CN → LCPW



CARE INSTRUCTION FOR LEATHER GEL

In order to maintain the original appearance of your leather gel, please follow below simple care procedure:



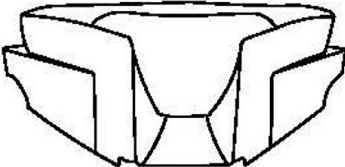
- Avoid exposing furniture directly to sunlight or heating and air conditioning outlets. Exposure to sunlight or heating and air conditioning outlets will fade/damage leather gel.
- Wipe gently with a damp soft cloth to remove dust, dirt and any grime build up.

ASSEMBLY INSTRUCTION

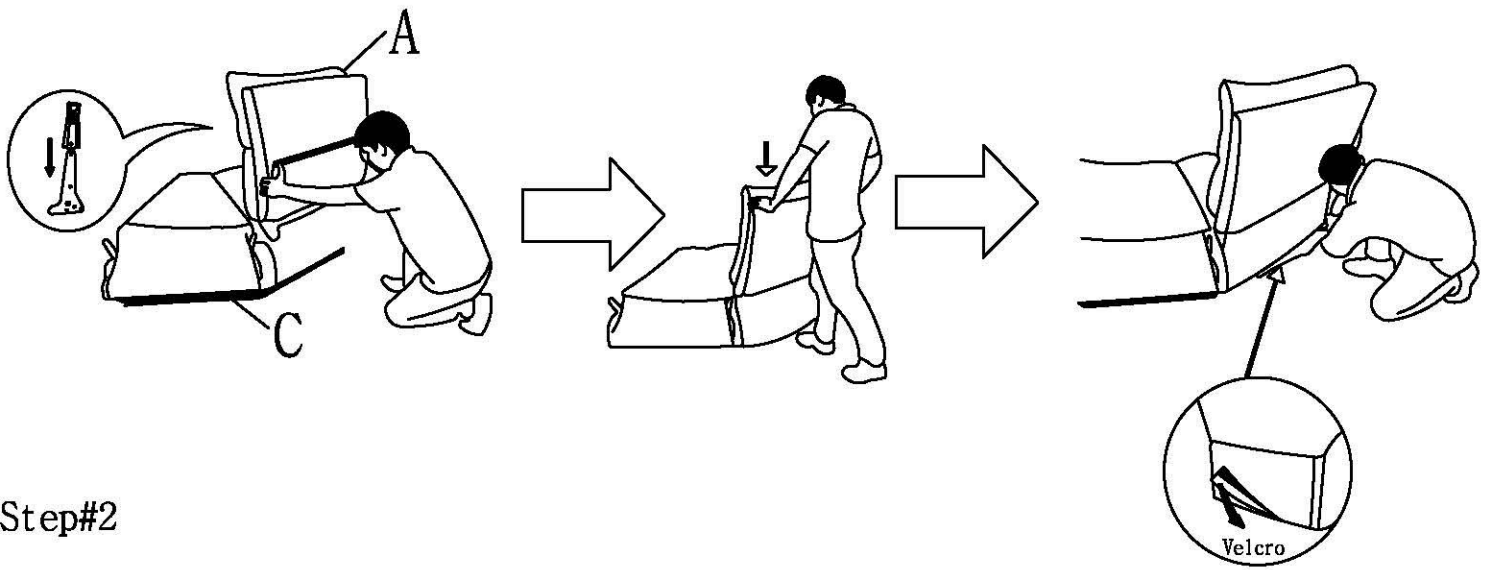
CORNER SEAT

NOTE: Do not use power tools for assembly. Power tools increase the risk of over tightening which lead to splitting or cracking the wood.

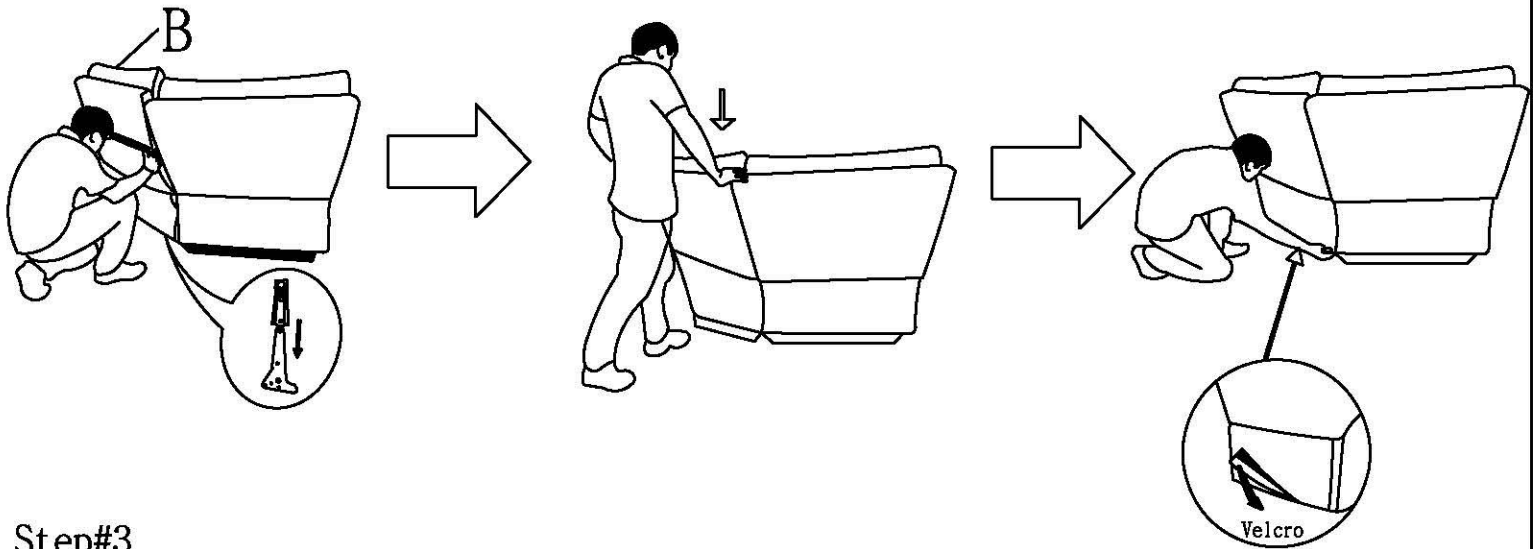
COMPONENT LIST

NO.	DRAWING	QTY	DESCRIPTION
A		1PC	LSF CORNER BACK REST
B		1PC	RSF CORNER BACK REST
C		1PC	CORNER SEAT

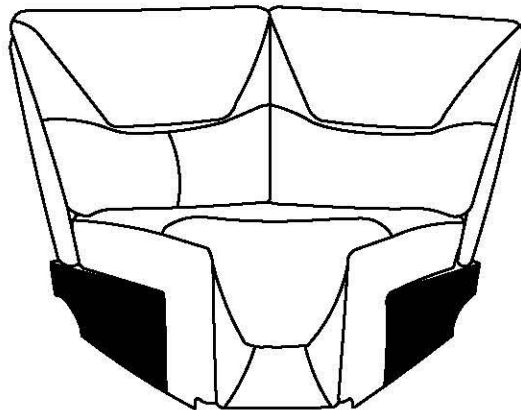
Step#1



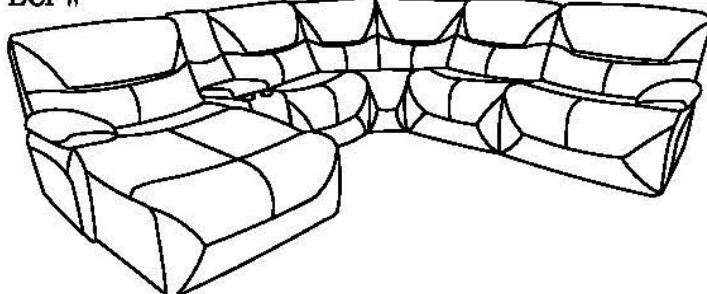
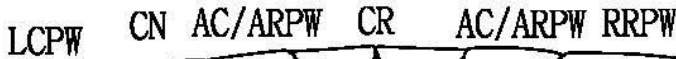
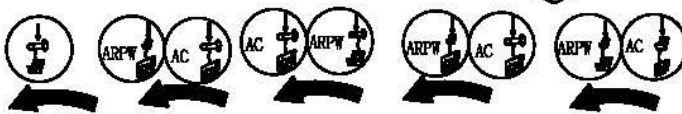
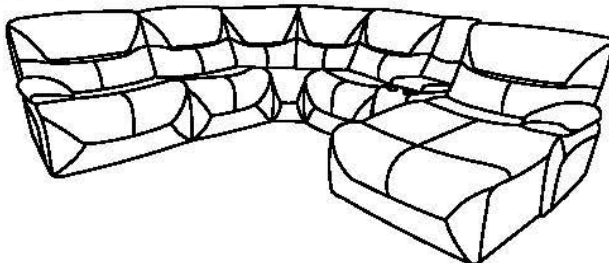
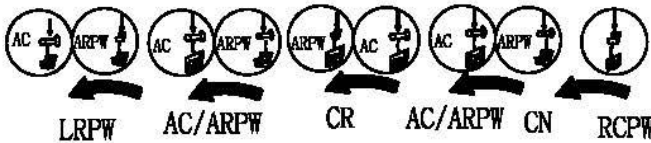
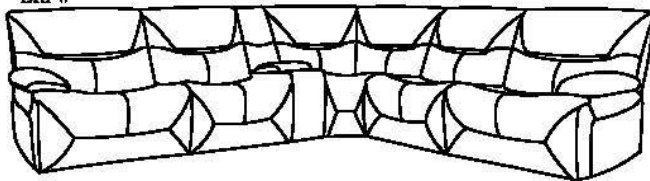
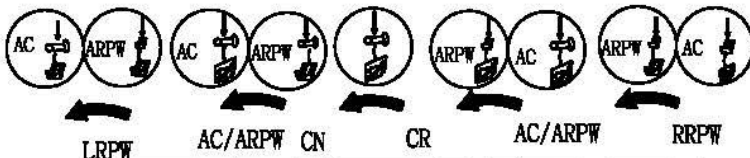
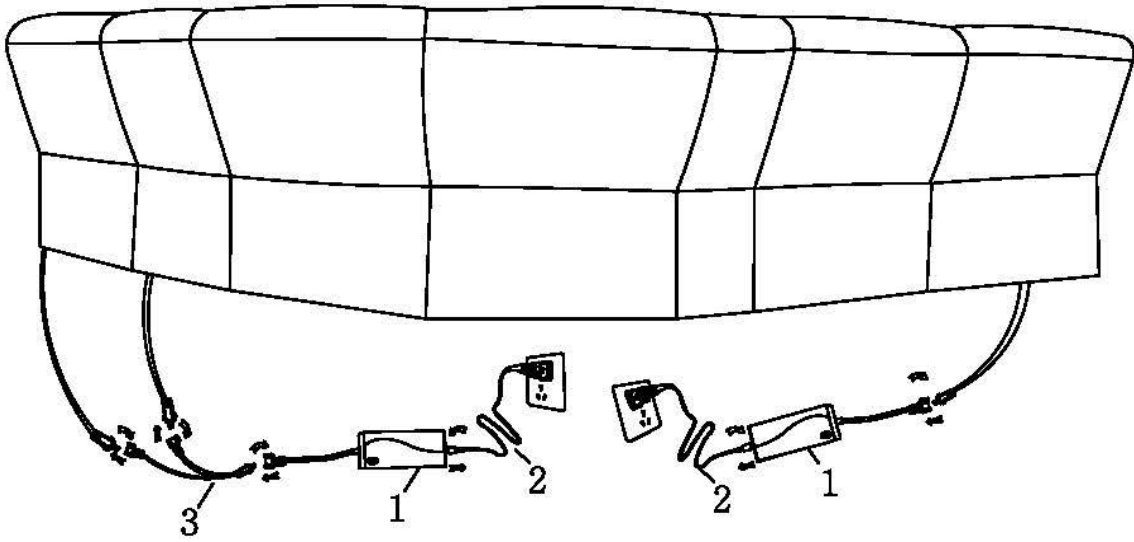
Step#2



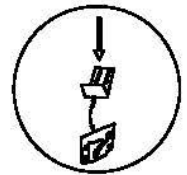
Step#3



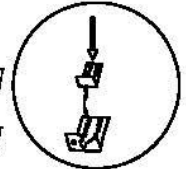
Step#4



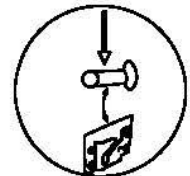
RRPW → AC
 ARPW → CR
 ARPW → CN
 RCPW → CN



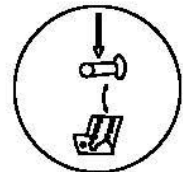
RRPW → ARPW
 ARPW → LRPW



AC → CR
 CR → CN
 CN → AC



CN → ARPW
 AC → LRPW
 CR → ARPW
 CN → LCPW



CARE INSTRUCTION FOR LEATHER GEL

In order to maintain the original appearance of your leather gel, please follow below simple care procedure:

- Avoid exposing furniture directly to sunlight or heating and air conditioning outlets. Exposure to sunlight or heating and air conditioning outlets will fade/damage leather gel.
- Wipe gently with a damp soft cloth to remove dust, dirt and any grime build up.

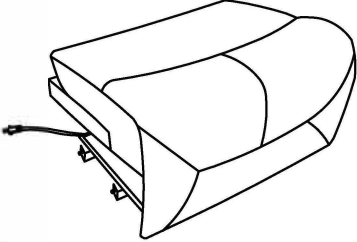
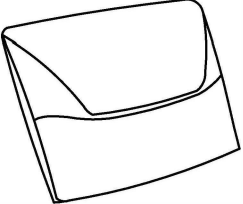
PLEASE KEEP ASSEMBLY INSTRUCTION FOR FUTURE REFERENCE

ASSEMBLY INSTRUCTION

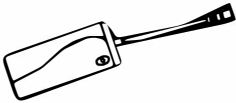


POWER ARMLESS RECLINING CHAIR

NOTE: Do not use power tools for assembly. Power tools increase the risk of over tightening which lead to splitting or cracking the wood.

COMPONENT LIST

NO.	DRAWING	QTY	DESCRIPTION
A		1PC	A SEAT WITH WIRE
B		1PC	BACK REST

HARDWARE LIST

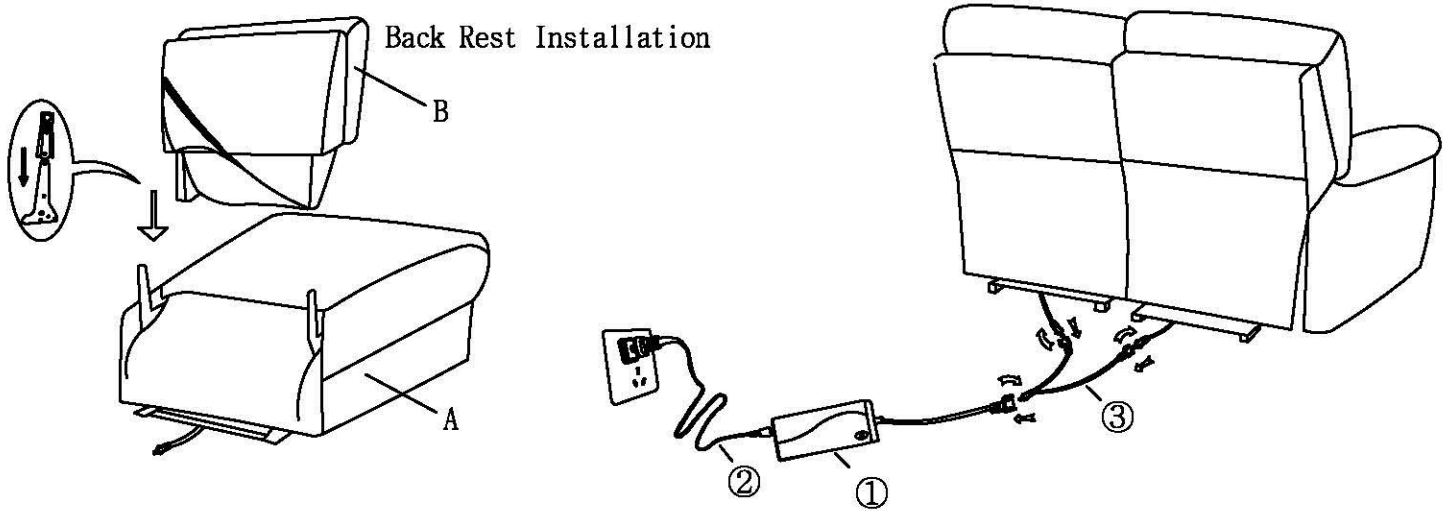
NO.	DRAWING	QTY	DESCRIPTION
1		1PC	ADAPTOR
2		1PC	PLUG WITH WIRE
3		1PC	Y-CABLE

NOTE: *ADAPTOR, PLUG AND Y-CABLE NOT INCLUDED IN -ARPW.

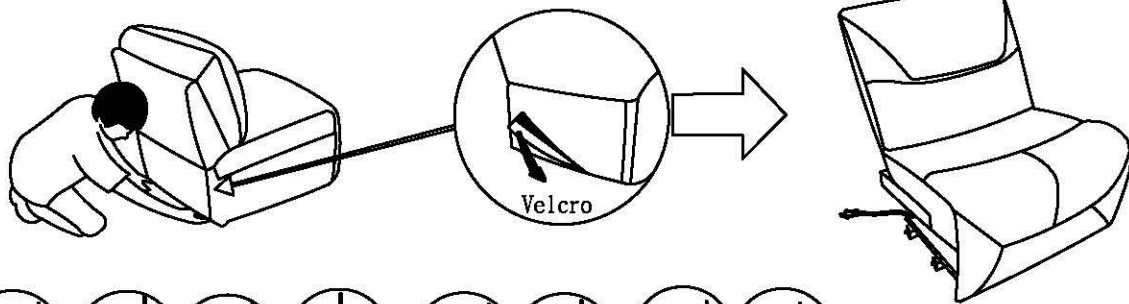
*ADAPTOR SET PACKED IN 9579GRY-RRPW or 9579GRY-RCPW and 9579GRY-LRPW or 9579GRY-LCPW.

Step#1

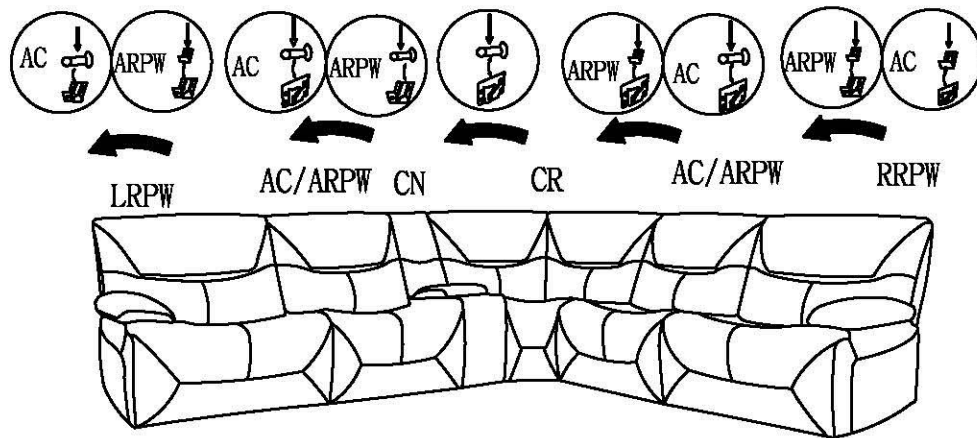
Align the female brackets at the back onto the male brackets at the seat, insert back rest to the seat then push to the end and make sure it is fixed in position securely.



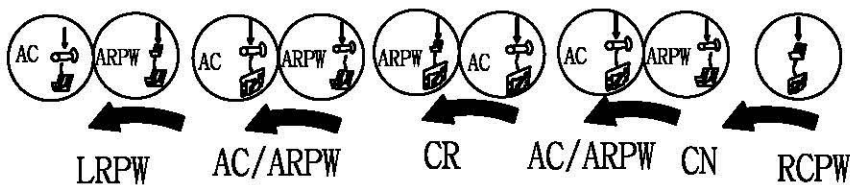
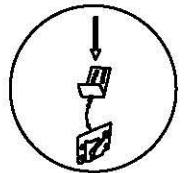
Step#2



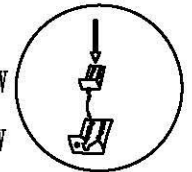
Step#3



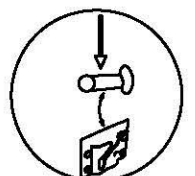
RRPW → AC
 ARPW → CR
 ARPW → CN
 RCPW → CN



RRPW → ARPW
 ARPW → LRPW

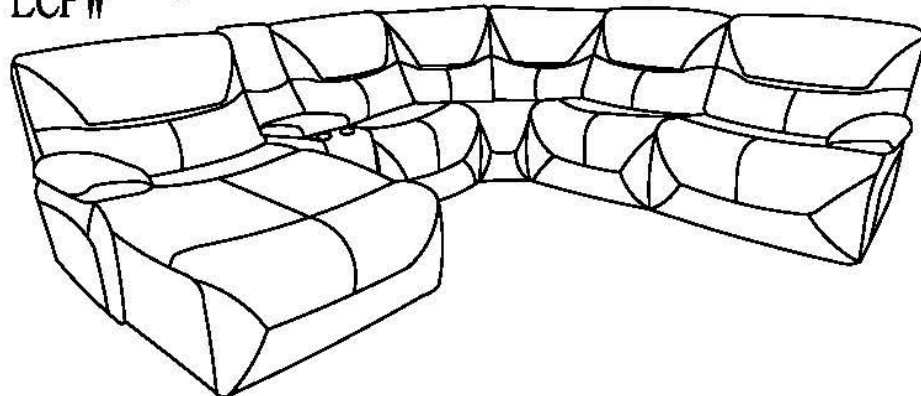


AC → CR
 CR → CN
 CN → AC

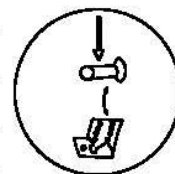




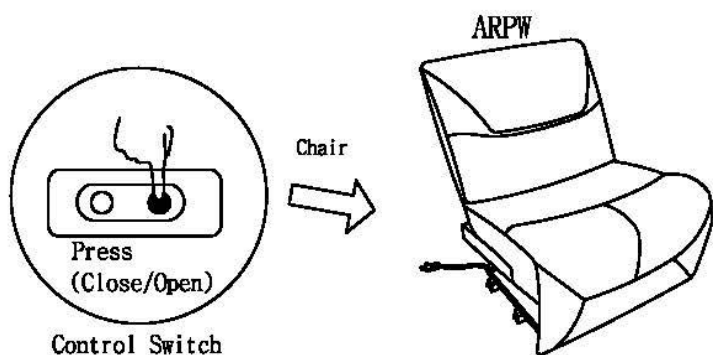
LCPW CN AC/ARPW CR AC/ARPW RRPW



CN → ARPW
 AC → LRPW
 CR → ARPW
 CN → LCPW



Step#4



CARE INSTRUCTION FOR LEATHER GEL

In order to maintain the original appearance of your leather gel, please follow below simple care procedure:

- Avoid exposing furniture directly to sunlight or heating and air conditioning outlets. Exposure to sunlight or heating and air conditioning outlets will fade/damage leather gel.
- Wipe gently with a damp soft cloth to remove dust, dirt and any grime build up.



- Disconnect the electrical plug from the wall outlets before cleaning, moving, servicing or when not in use for an extended period of time.
- Plug directly into a wall outlet. Do not use an extension cord or adaptor.
- Check the condition of the power transformers, electrical cords, plugs and connectors monthly. Keep the power adaptor and electrical cords away from heat sources. Never operate the unit with a damaged power adaptor, electrical cord, plug or connector.
- Before moving the product, please disconnect the electrical plug from the wall outlet and secure the mechanism to prevent unexpected opening or movement. Never move the product by the mechanism, legrest, handle, or reclining back.
- Do not attempt to disassemble or service the adaptor or motor. No serviceable parts are inside.
- Do not allow electrical cord to be pinched between moving parts or between the frame and the floor. Do not place cord under carpet or in location where it could become worn.
- Unplug the power cord immediately if you detect strange odors or fumes coming from the chair.

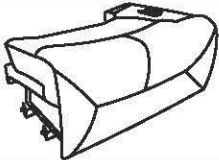
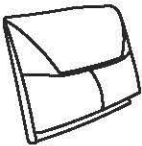
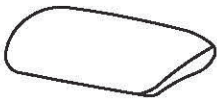
PLEASE KEEP ASSEMBLY INSTRUCTION FOR FUTURE REFERENCE

ASSEMBLY INSTRUCTION

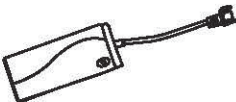

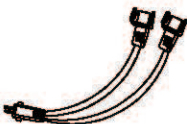
RSF POWER RECLINING CHAIR WITH USB

NOTE: Do not use power tools for assembly. Power tools increase the risk of over tightening which lead to splitting or cracking the wood.

COMPONENT LIST

NO.	DRAWING	QTY	DESCRIPTION
A		1PC	SEAT
B		1PC	BACK REST
C		1PC	RSF ARMREST

HARDWARE LIST

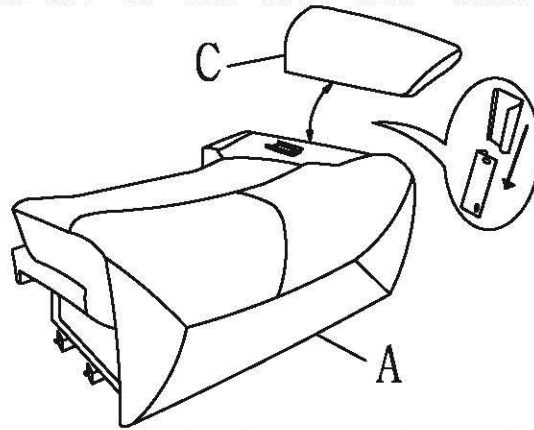
NO.	DRAWING	QTY	DESCRIPTION
1		1PC	ADAPTOR
2		1PC	PLUG WITH WIRE
3		1PC	Y-CABLE

NOTE:

*ADAPTOR SET PACKED IN 9579GRY/BRW-RRPW or
9579GRY/BRW-RCPW and 9579GRY/BRW-LRPW or 9579GRY/BRW-LCPW.

Step#1

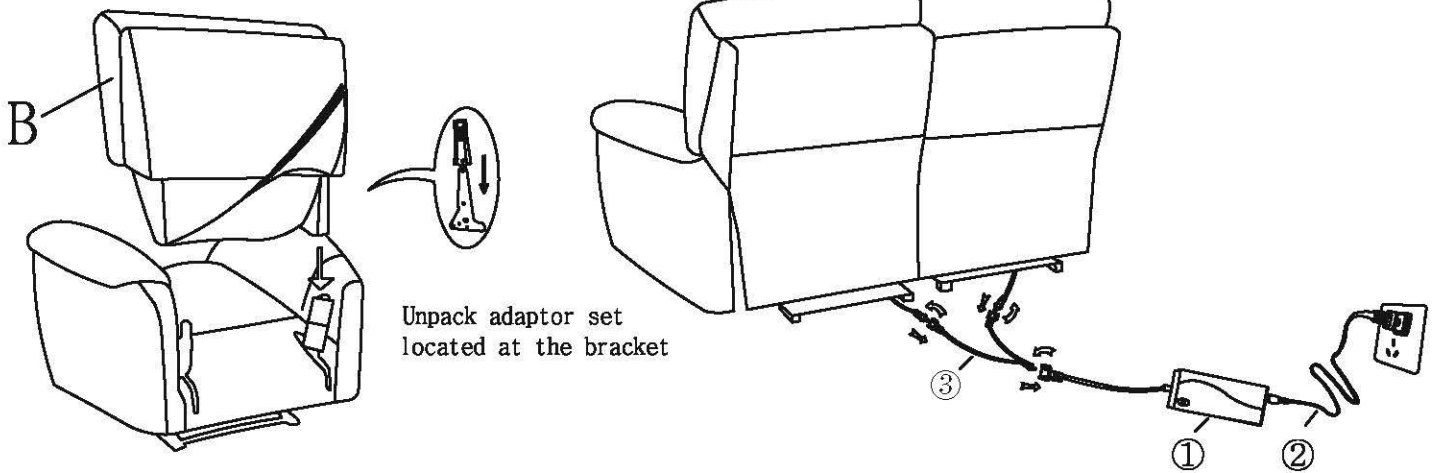
Please insert the RSF armrest to the seat and make sure it is secured in position.



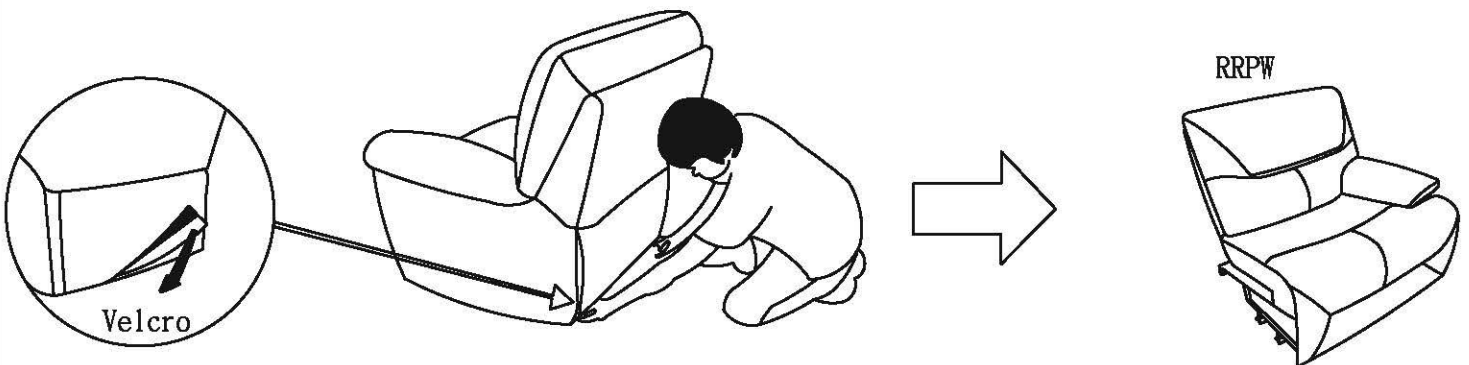
Step#2

Align the female brackets at the back onto the male brackets at the seat, insert back rest to the seat then push to the end and make sure it is fixed in position securely.

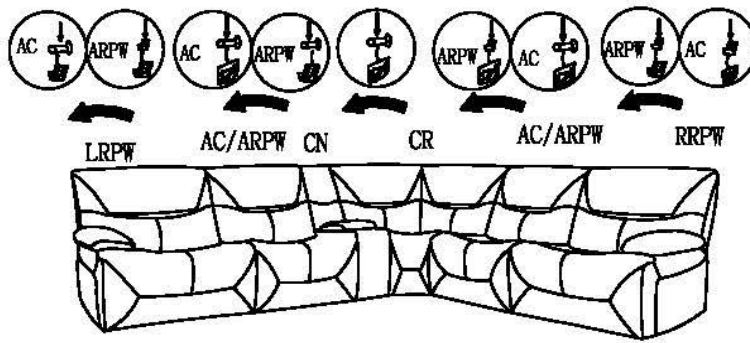
Back Rest Installation



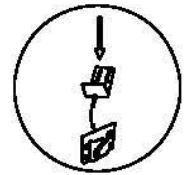
Step#3



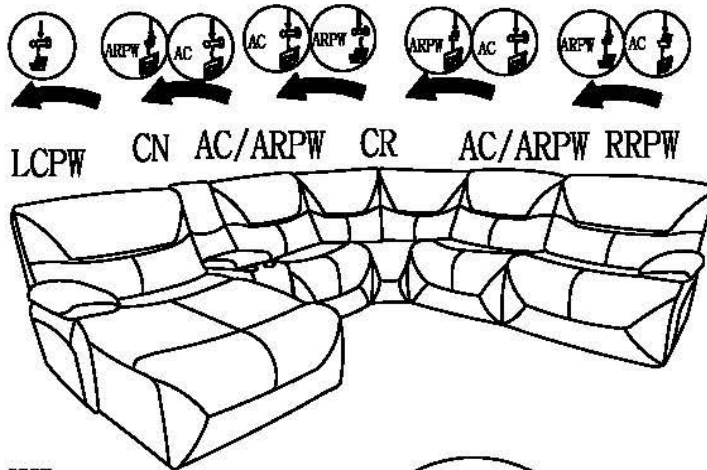
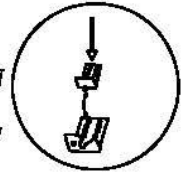
Step#4



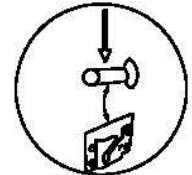
RRPW → AC
 ARPW → CR
 ARPW → CN



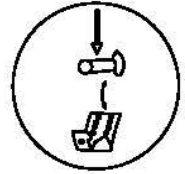
RRPW → ARPW
 ARPW → LRPW



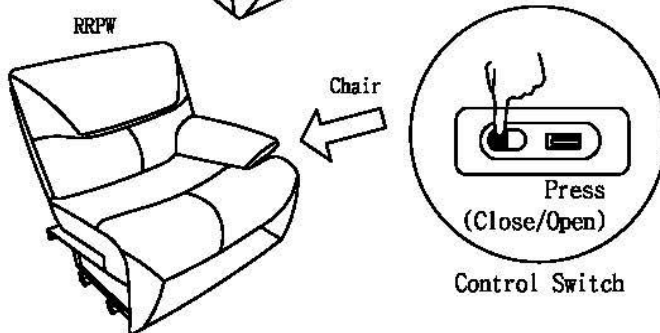
AC → CR
 CN → AC
 CR → CN



CN → ARPW
 AC → LRPW
 CR → ARPW
 CN → LCPW



Step#5



CARE INSTRUCTION FOR LEATHER GEL

In order to maintain the original appearance of your leather gel, please follow below simple care procedure:

- Avoid exposing furniture directly to sunlight or heating and air conditioning outlets. Exposure to sunlight or heating and air conditioning outlets will fade/damage leather gel.
- Wipe gently with a damp soft cloth to remove dust, dirt and any grime build up.



- Disconnect the electrical plug from the wall outlets before cleaning, moving, servicing or when not in use for an extended period of time.
- Plug directly into a wall outlet. Do not use an extension cord or adaptor.
- Check the condition of the power transformers, electrical cords, plugs and connectors monthly. Keep the power adaptor and electrical cords away from heat sources. Never operate the unit with a damaged power adaptor, electrical cord, plug or connector.
- Before moving the product, please disconnect the electrical plug from the wall outlet and secure the mechanism to prevent unexpected opening or movement. Never move the product by the mechanism, legrest, handle, or reclining back.
- Do not attempt to disassemble or service the adaptor or motor. No serviceable parts are inside.
- Do not allow electrical cord to be pinched between moving parts or between the frame and the floor. Do not place cord under carpet or in location where it could become worn.
- Unplug the power cord immediately if you detect strange odors or fumes coming from the chair.

PLEASE KEEP ASSEMBLY INSTRUCTION FOR FUTURE REFERENCE