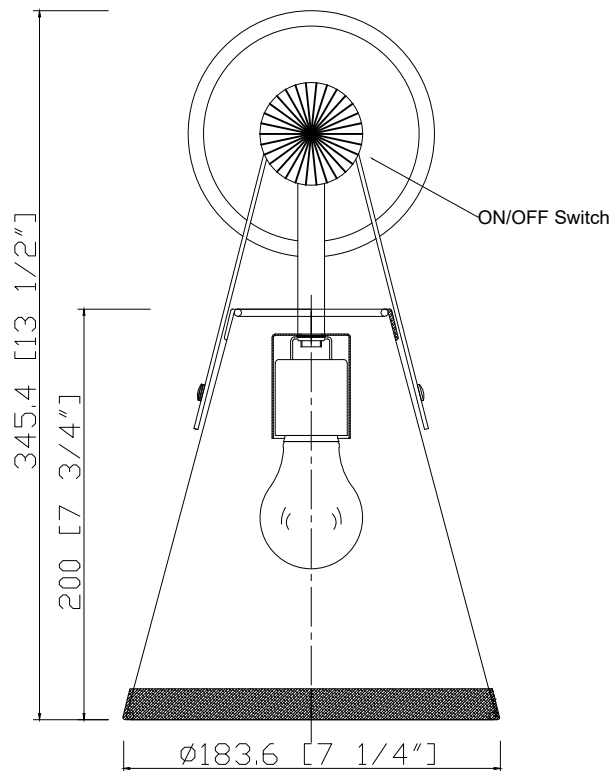


# CRYSTORAMA

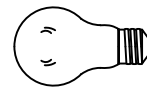
LIGHTING THE WAY FOR SIXTY YEARS



## ASSEMBLY INSTRUCTION MODEL #CAL-2401-PN



All electrical components must be installed by a licensed electrician in accordance with the National Electric Code and the appropriate local electrical codes.

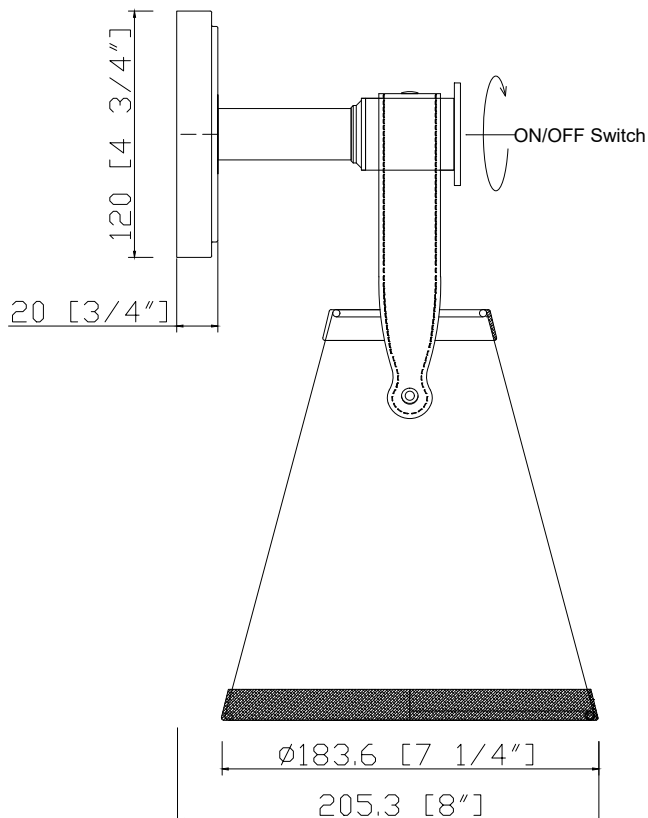


You will need 1 - Med. Bulb  
40 Watts Recommended 60 Watts Max  
USE LED BULBS FOR EXTENDED USE

THIS FIXTURE IS DRY RATED

### How to Install

1. Remove the mounting plate from the back plate. Install the mounting plate to the outlet box using two outlet box screws.
2. Install the back plate onto the mounting plate using the screws.
3. Remove the screw from the top of arm and hang the belt over the arm. Secure it with the screw.
4. Install the bulb(not included) into the socket. Use the switch to turn on or off the light.



WARNING: This product can expose you to Lead, which is known to the State of California to cause cancer and/or birth defects or reproductive harm. For more information go to [www.P65Warnings.ca.gov](http://www.P65Warnings.ca.gov)

# CRYSTORAMA



LIGHTING THE WAY FOR SIXTY YEARS

## ASSEMBLY INSTRUCTION MODEL #CAL-2401-PN

### Part Number

#### Part Numbers

- A. (1)-Mounting hardware
- B. (2)-screws
- C. (1)-Back plate(XAR2401PNBKP4.75IN)
- D. (1)-Screw
- E. (1)-Belt
- F. (1)-Socket
- G. (1)-Fabric shade  
(XAR2401PNSHA7.75IN)

