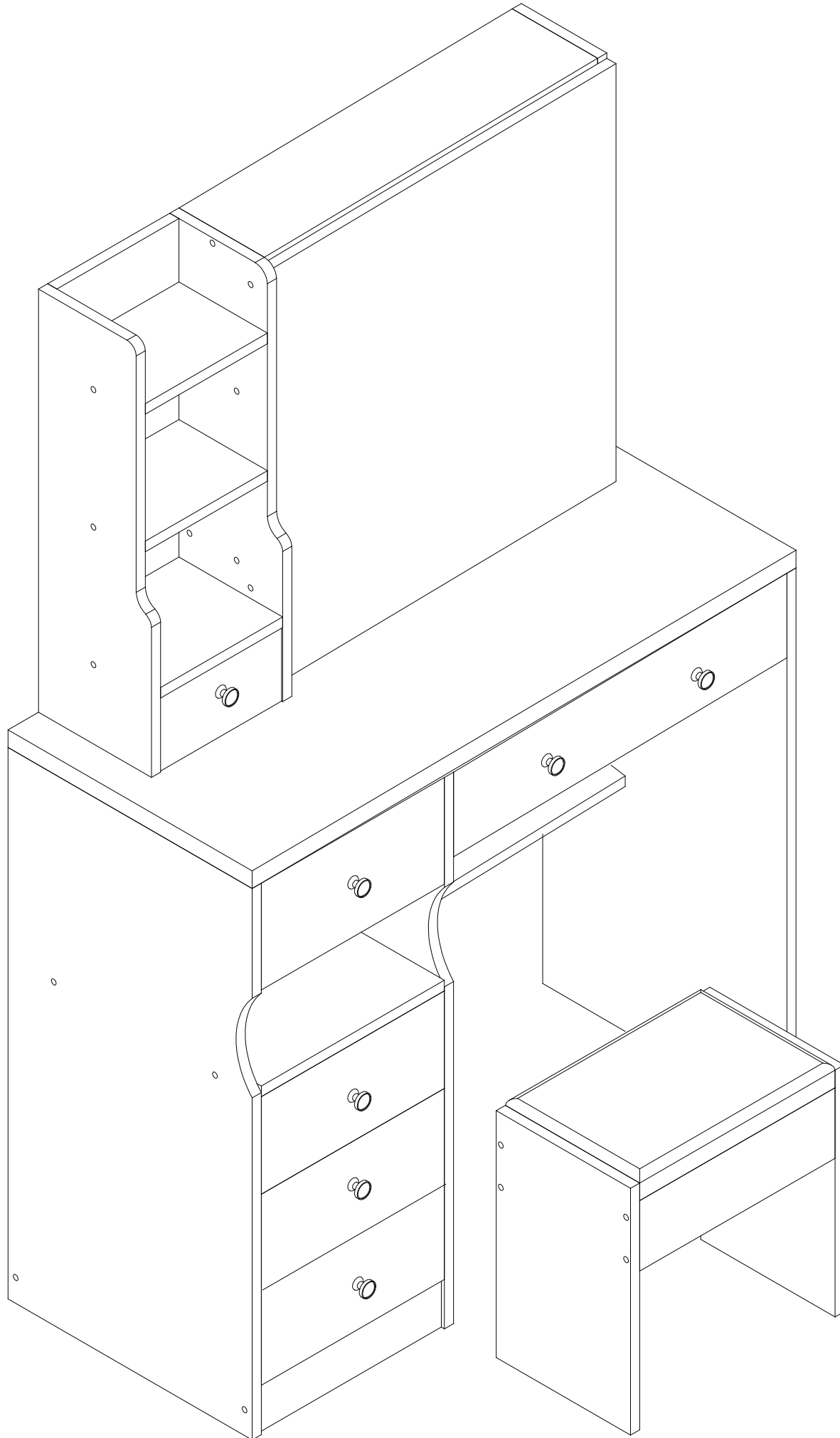


vanity table

T68M-W-L, T68M-B-L,

INSTALLATION MANUAL

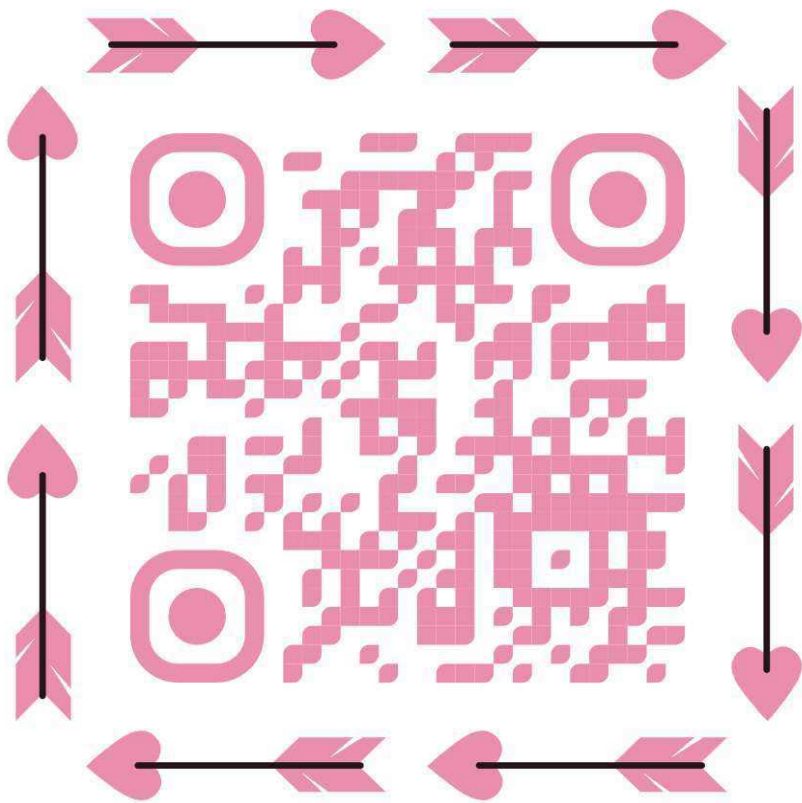




Before assembly please scan the code to get the installation video.



How to install the rail and mirror? please scan the code to get the video.



How to fix the mirror light problem? please scan the code to get the video



T68m real show

This is the unified installation manual for the T68M (middle size) dressing table, suitable for three versions: simple, basic, and luxury.

Simple version: There is no mirror light, built-in socket or hair dryer stand function, so there is no mirror light power plug (N), built-in socket (H) or hairdryer bracket (I) in the accessories.

Basic version: With mirror light function, no built-in socket or hair dryer stand function. Therefore, there is no built-in socket (H) or hair dryer bracket (I) in the accessories.

Luxury version: With mirror light, built-in socket, and hair dryer stand function, including all illustrated accessories.

Also note that:

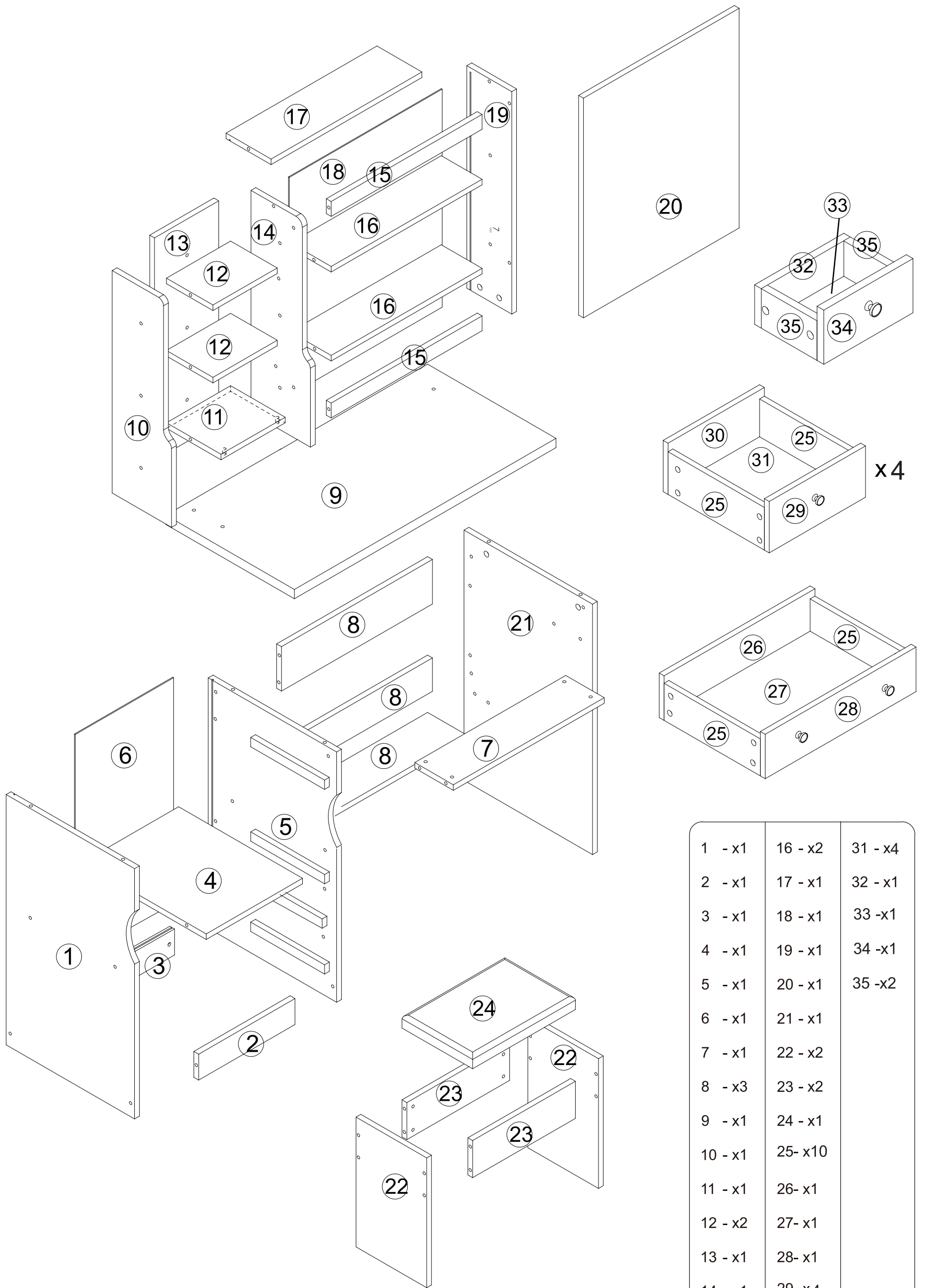
1. Screw G is a drawer positioning pin that prevents the drawer from falling off when opened. After installation, please confirm that all positioning screws G have been installed.



2. For luxury version, part 19 has rectangular hole for installing build-in socket, part 18 has wiring hole, and part 20 has mirror light; For basic version part 19 does not have rectangular hole for installing build-in socket, part 18 does not have wiring hole, but part 20 has mirror light; For simple version, part 19 does not have rectangular hole for installing build-in socket, part 18 does not have wiring hole, and part 20 does not have mirror light.

3. There are marked points where the track needs to be fixed. Please use 12mm screws to secure the track at the marked point.





1 - x1	16 - x2	31 - x4
2 - x1	17 - x1	32 - x1
3 - x1	18 - x1	33 - x1
4 - x1	19 - x1	34 - x1
5 - x1	20 - x1	35 - x2
6 - x1	21 - x1	
7 - x1	22 - x2	
8 - x3	23 - x2	
9 - x1	24 - x1	
10 - x1	25 - x10	
11 - x1	26 - x1	
12 - x2	27 - x1	
13 - x1	28 - x1	
14 - x1	29 - x4	
15 - x2	30 - x4	





1 -x1



2 -x1



3 -x1



4 -x1



5 -x1



6 -x1



7 -x1



8 -x3



9 -x1



10 -x1



11 -x1



12 -x2



13 -x1



14 -x1



15 -x2



16 -x2



17 -x1



18 -x1



19 -x1



20 -x1



21 -x1



22 -x2



23 -x2



24 -x1



25 -x10



26 -x1



27 -x1



28 -x1



29 -x4



30 -x4



31 -x4



32 -x1



33 -x1

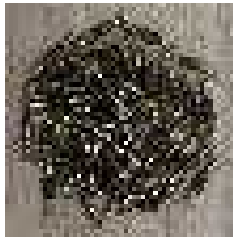


34 -x1

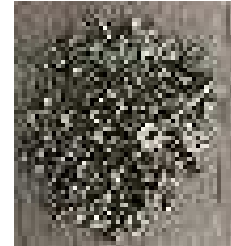


35 -x2

hardware



A 3 IN 1 SCREW x 58



B 3 IN 1 LOCK x 58



C 12MM SCREW x 16



D GUIDE RAIL x 2



E HANDLE SCREW x 7



F L PLATE x 2



G DRAWER POSITIONING SCREW x 10



L DRAWER HANDLE x 7



J 2 IN 1 SCREW x 48



K 2 IN 1 LOCK x 48

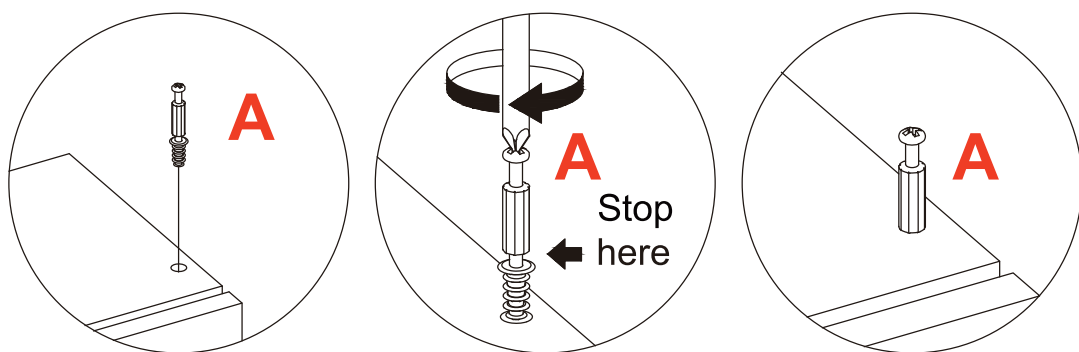


N Power plug x 1

For luxury version and basic version.

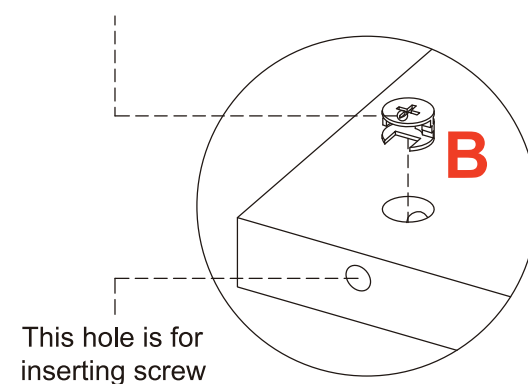
1. Screw installation method

When the screw is installed, please keep it in line with the board, and do not tighten it too tightly

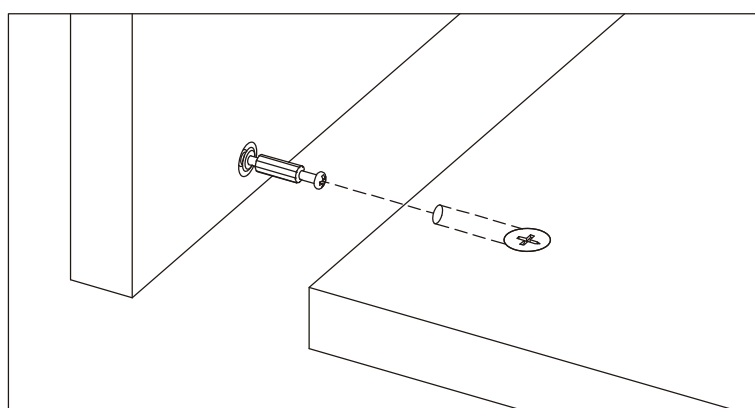


2. Check the Nut direction

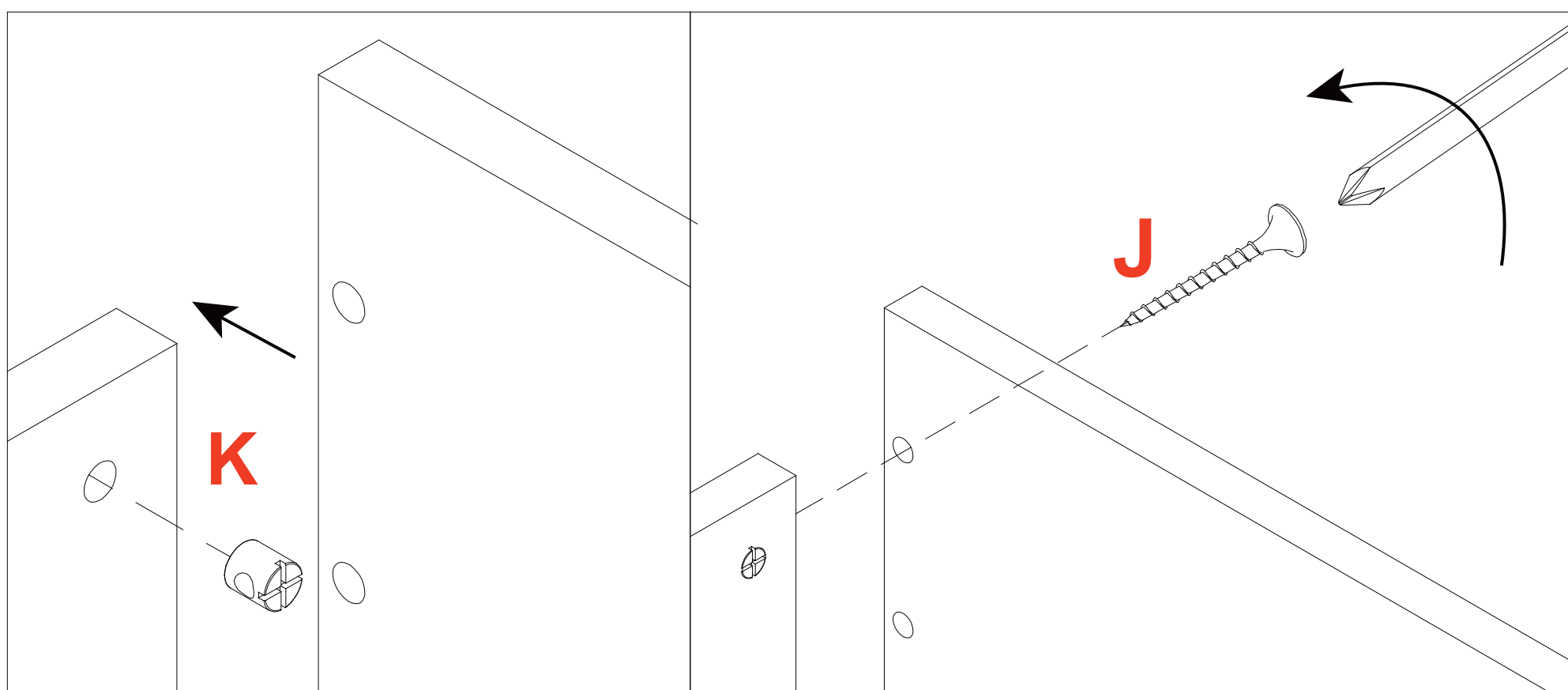
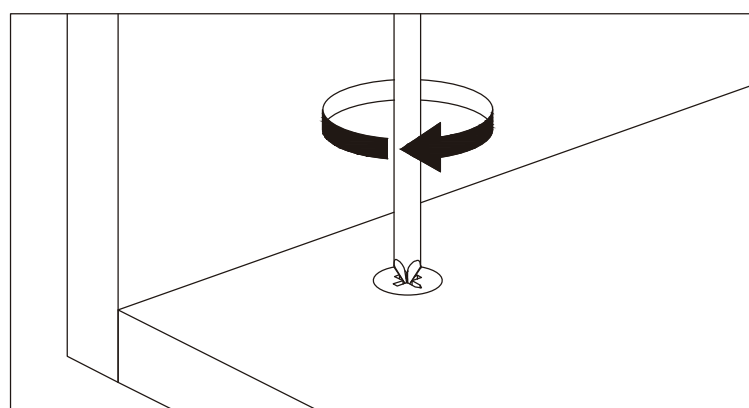
This direction of the marked nut is consistent with the direction in which the screw is inserted



3. Installation on the board with fixing screws

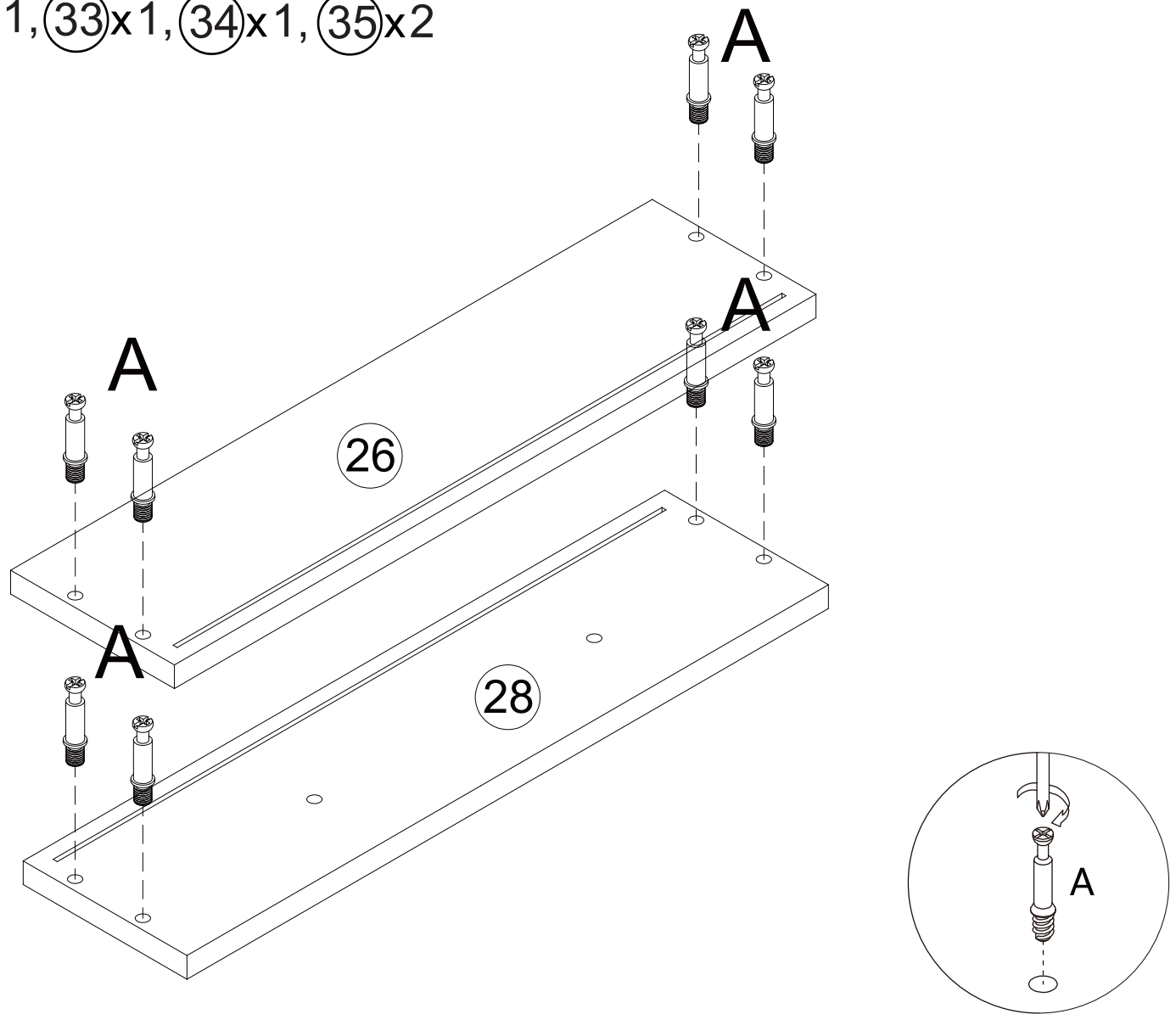


3. Rotate slowly until it stops

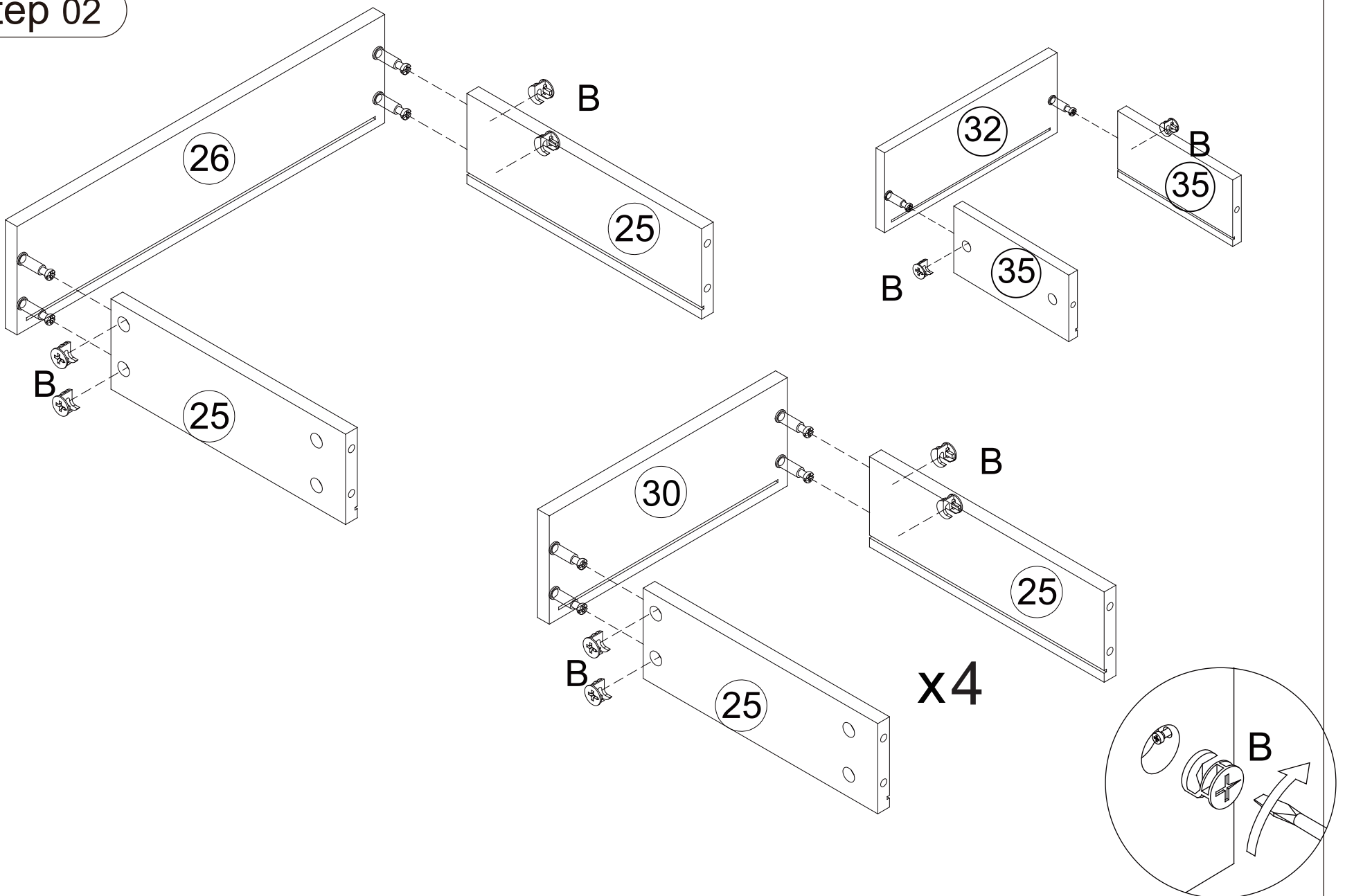


Step 01

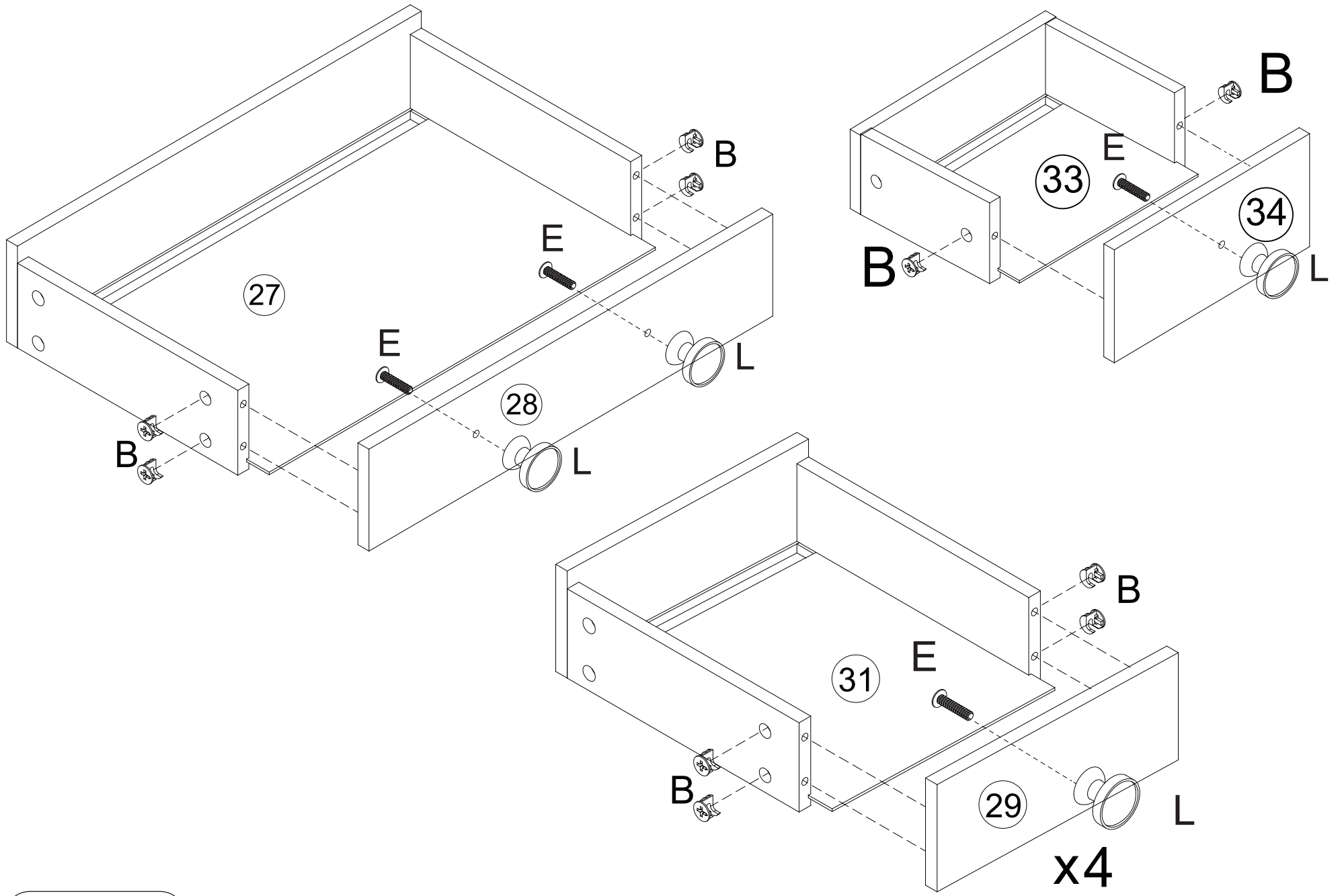
pick up (26) x1, (27) x1, (28) x1, (25) x2 and (29) x4, (30) x4, (31) x4, (25) x8
(32) x1, (33) x1, (34) x1, (35) x2



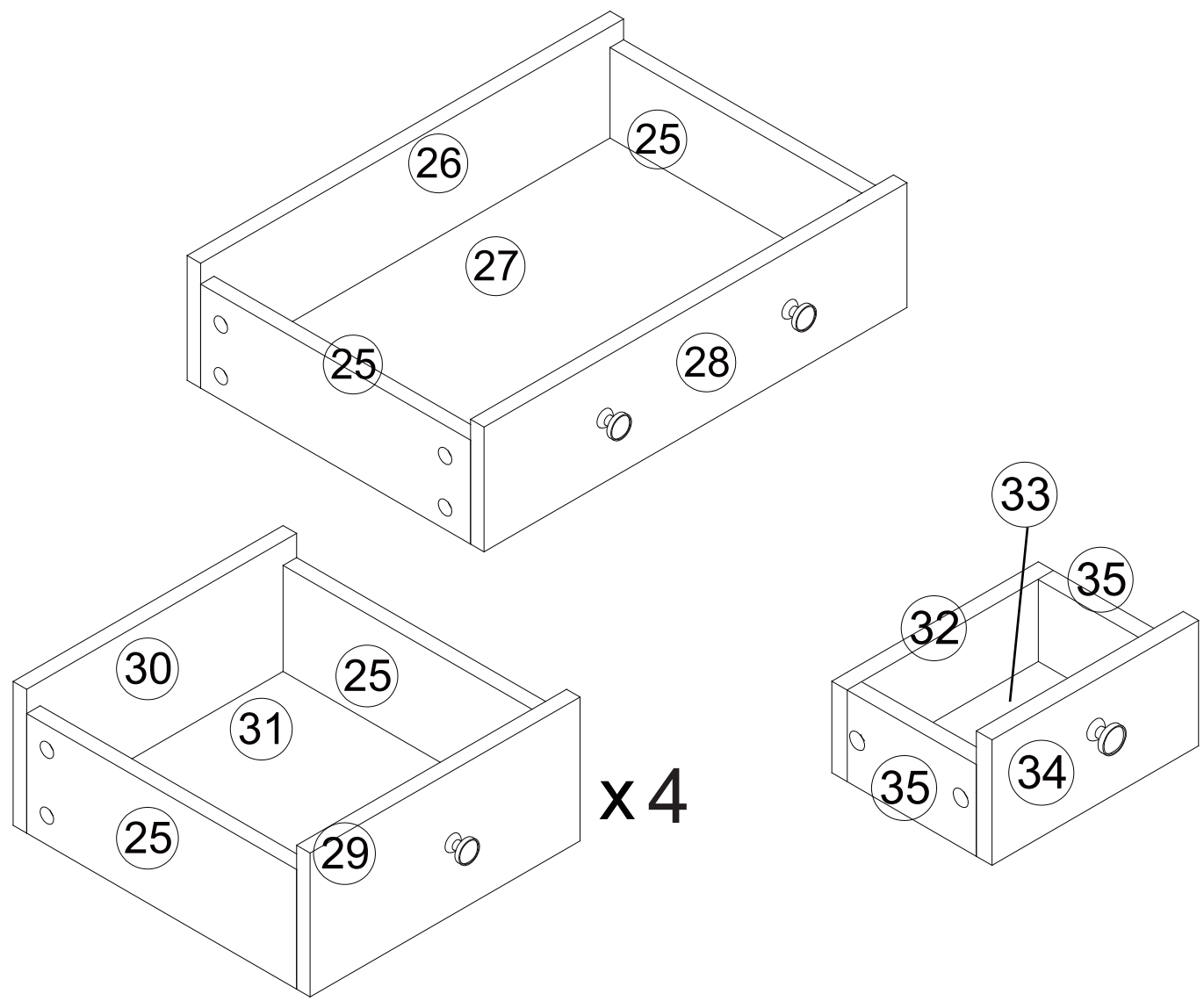
Step 02



Step 03

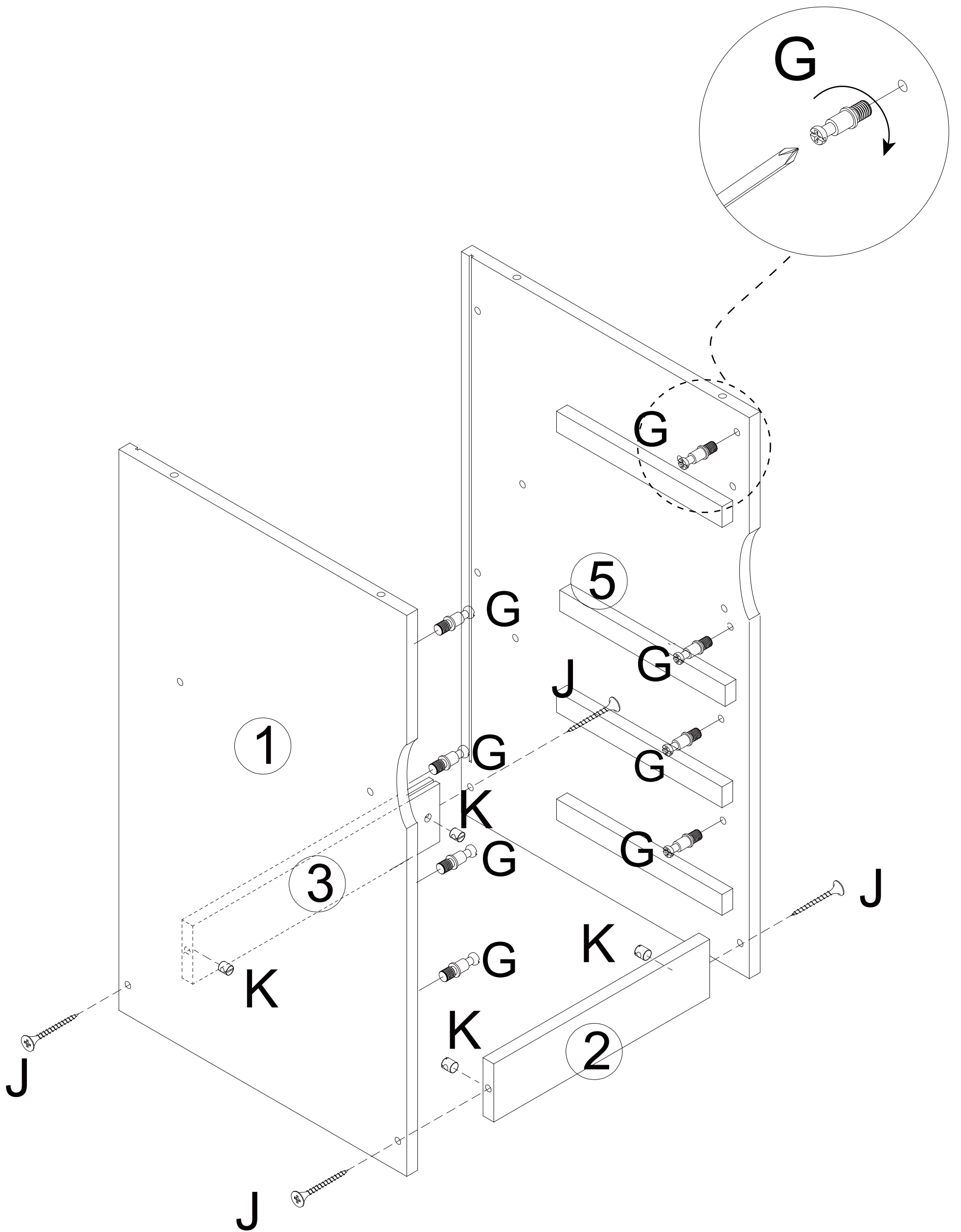


Step 04

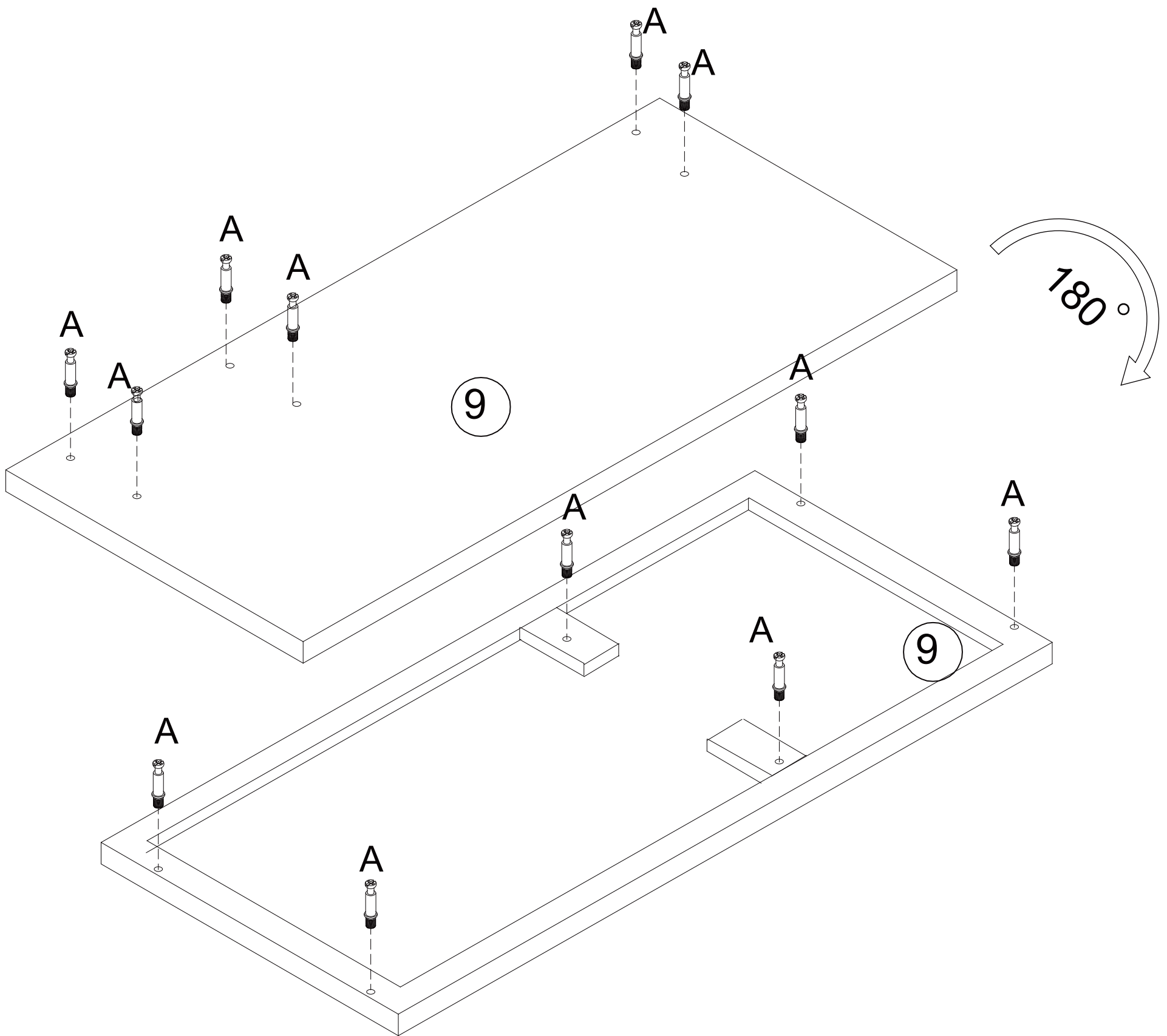


Step 05

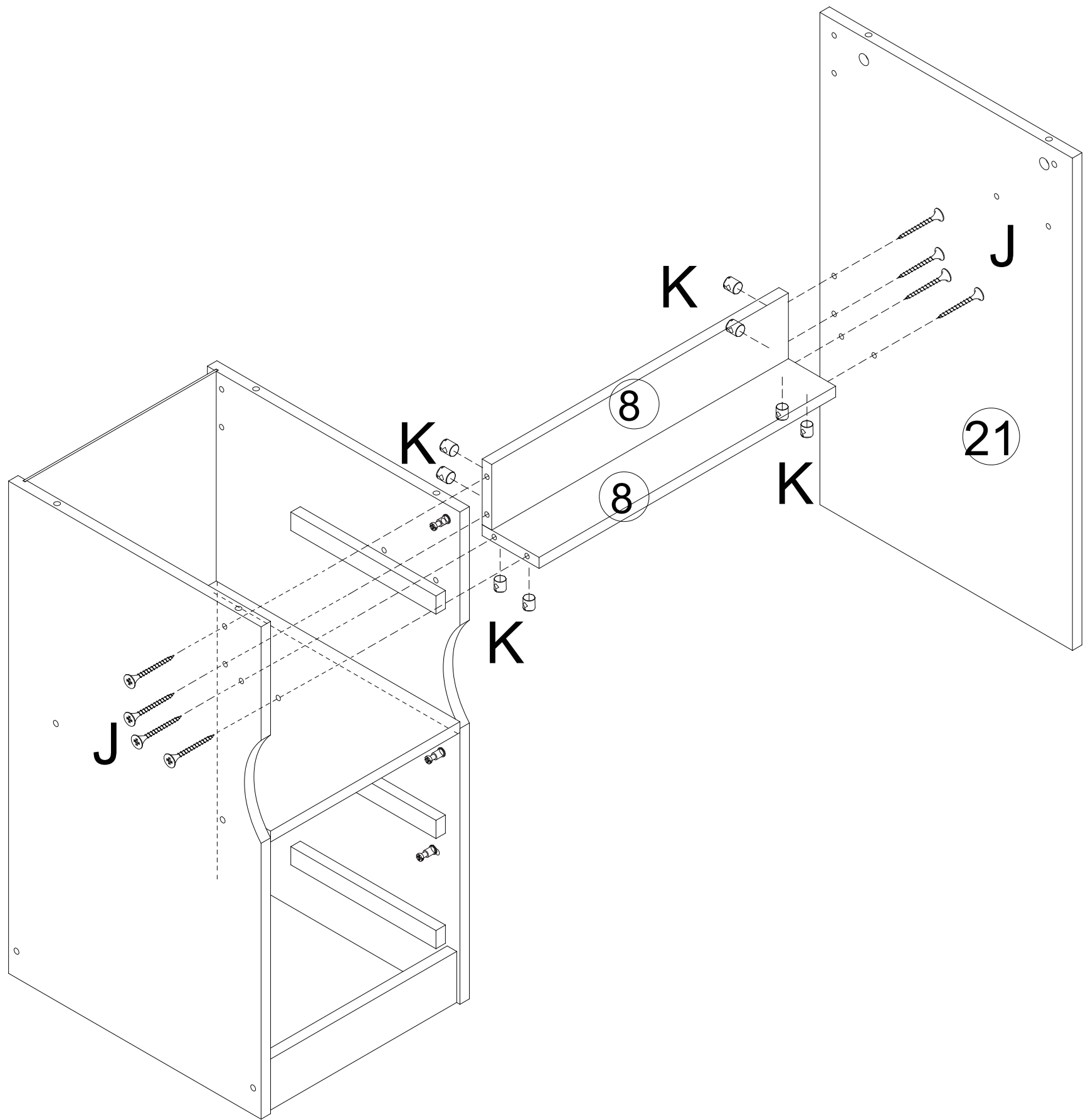
pick up ①x1, ②x1, ③x1, ⑤x1, ⑥x1, ④x1



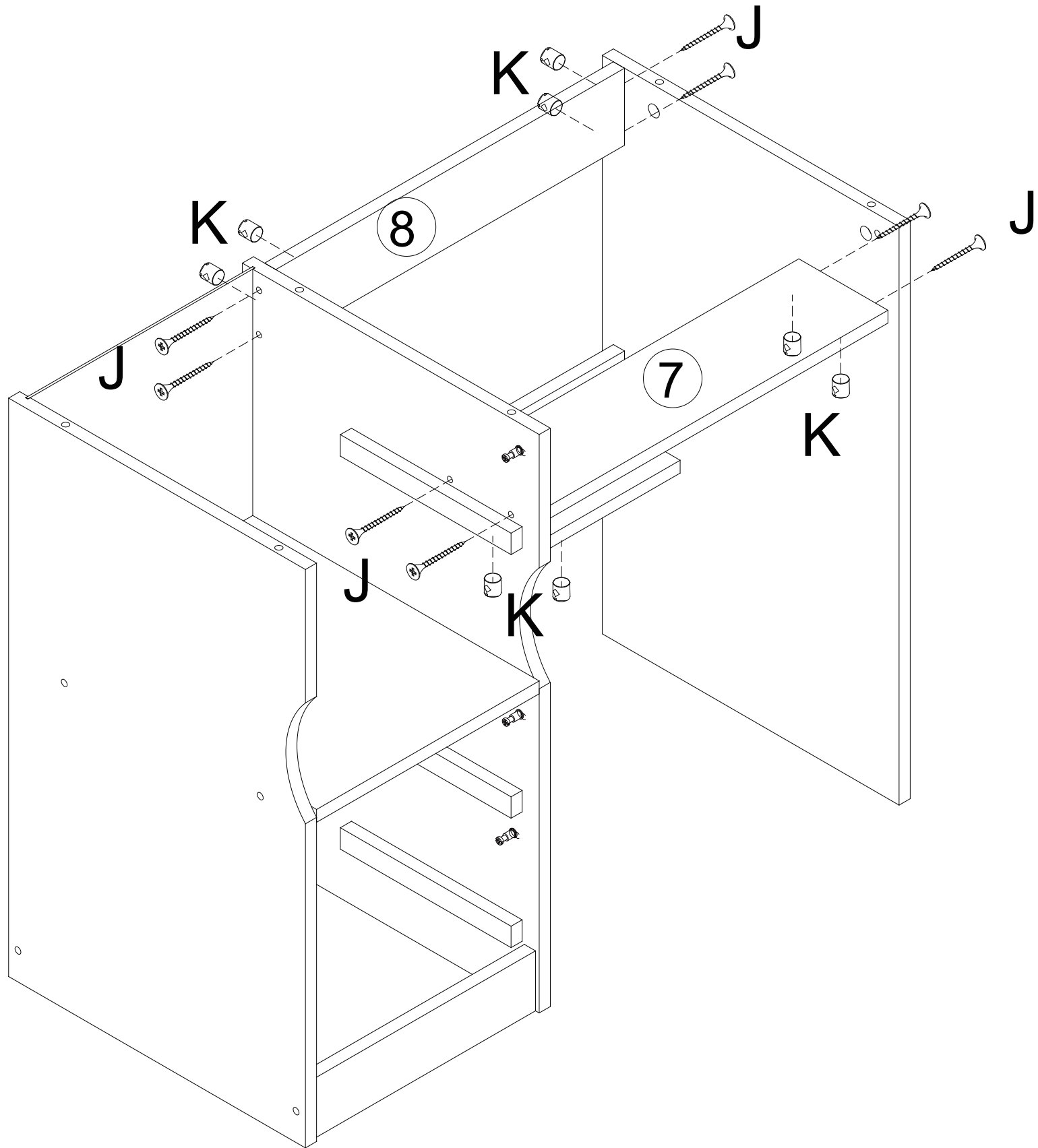
Step 07



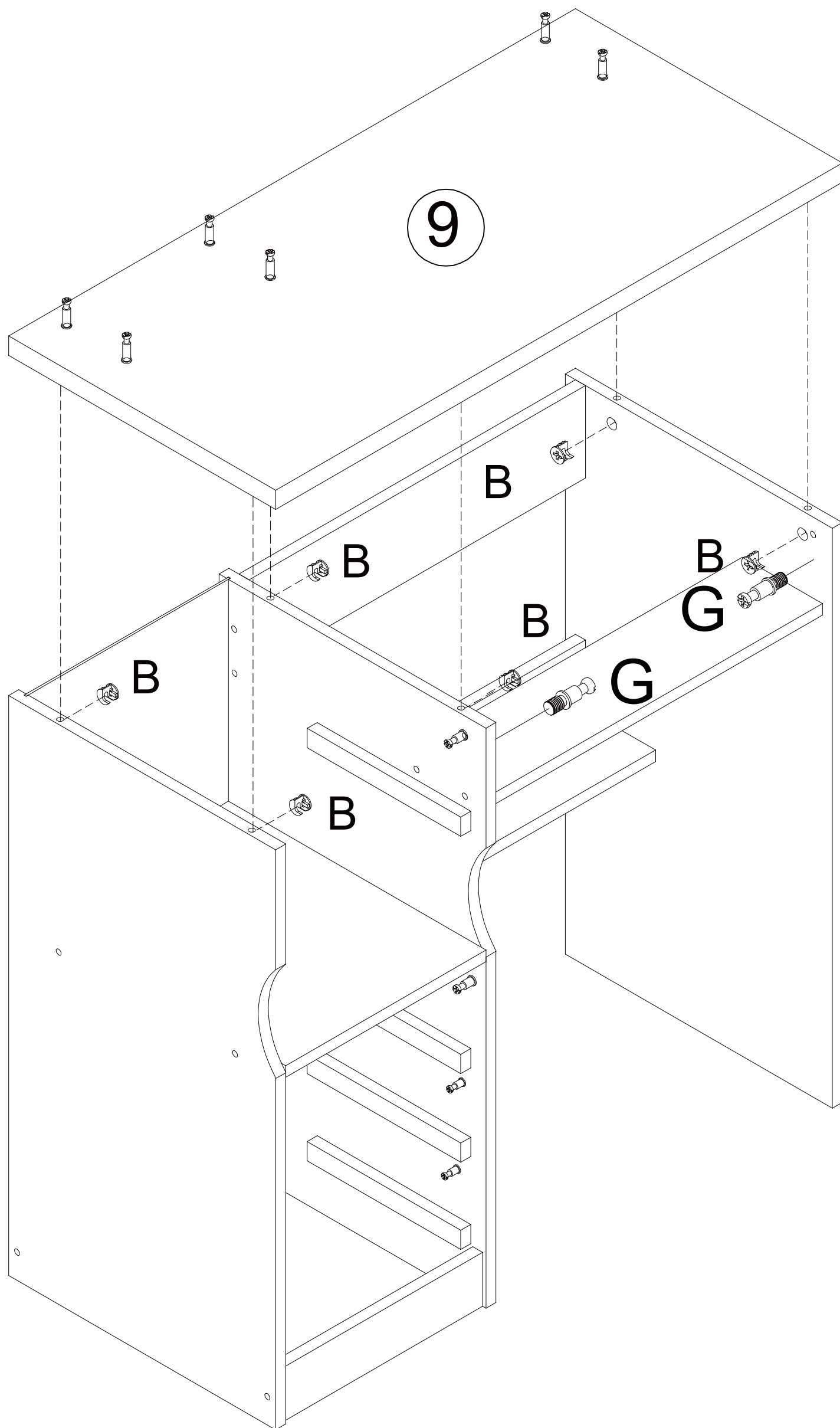
Step 08 pick up ⑦x1, ⑧x3, ②① x1, ⑨x1



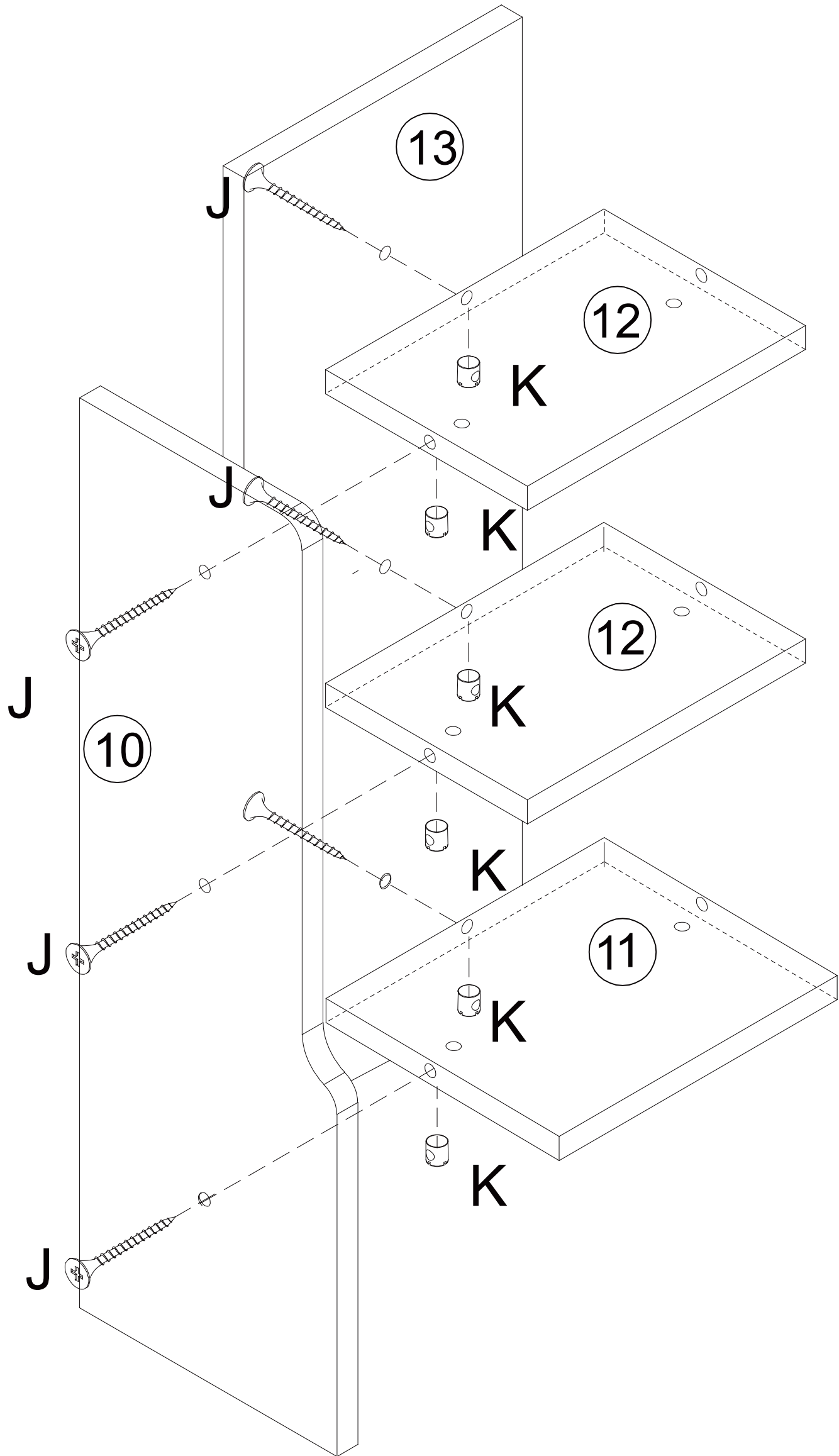
Step 09



Step 10

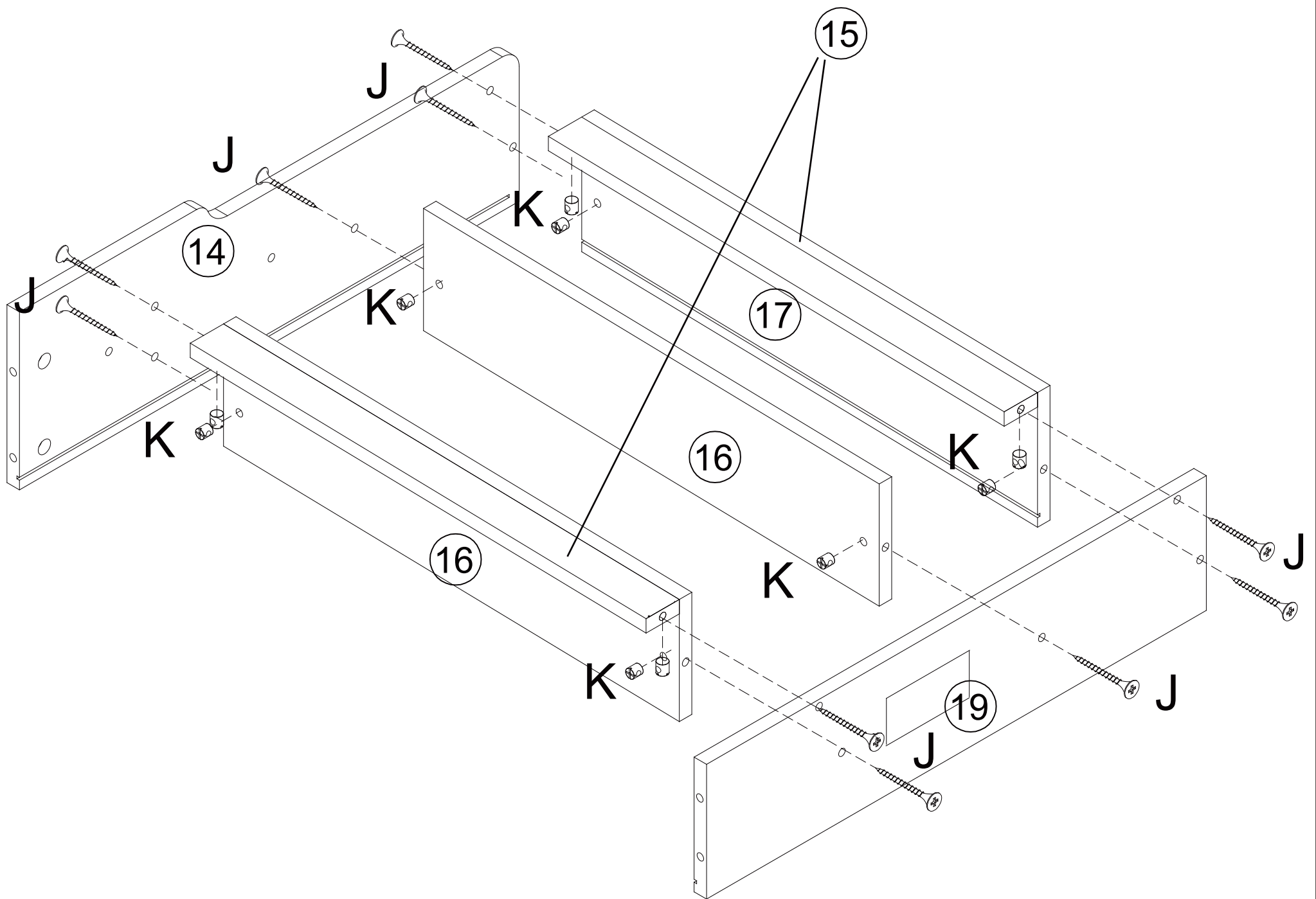


Step 11 pick up ⑩ x1, ⑪ x1, ⑫ x2, ⑬ x1

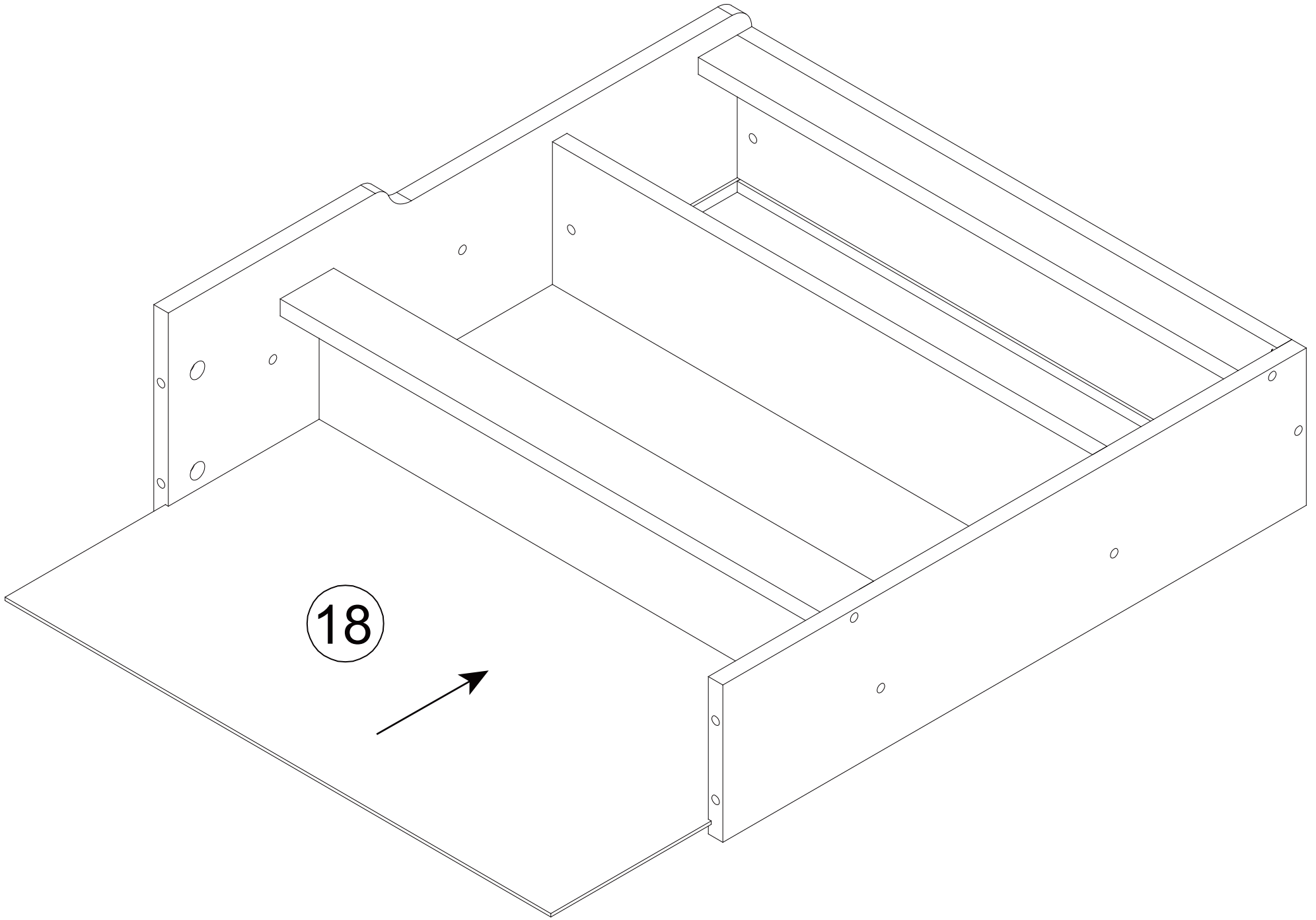


Step 12

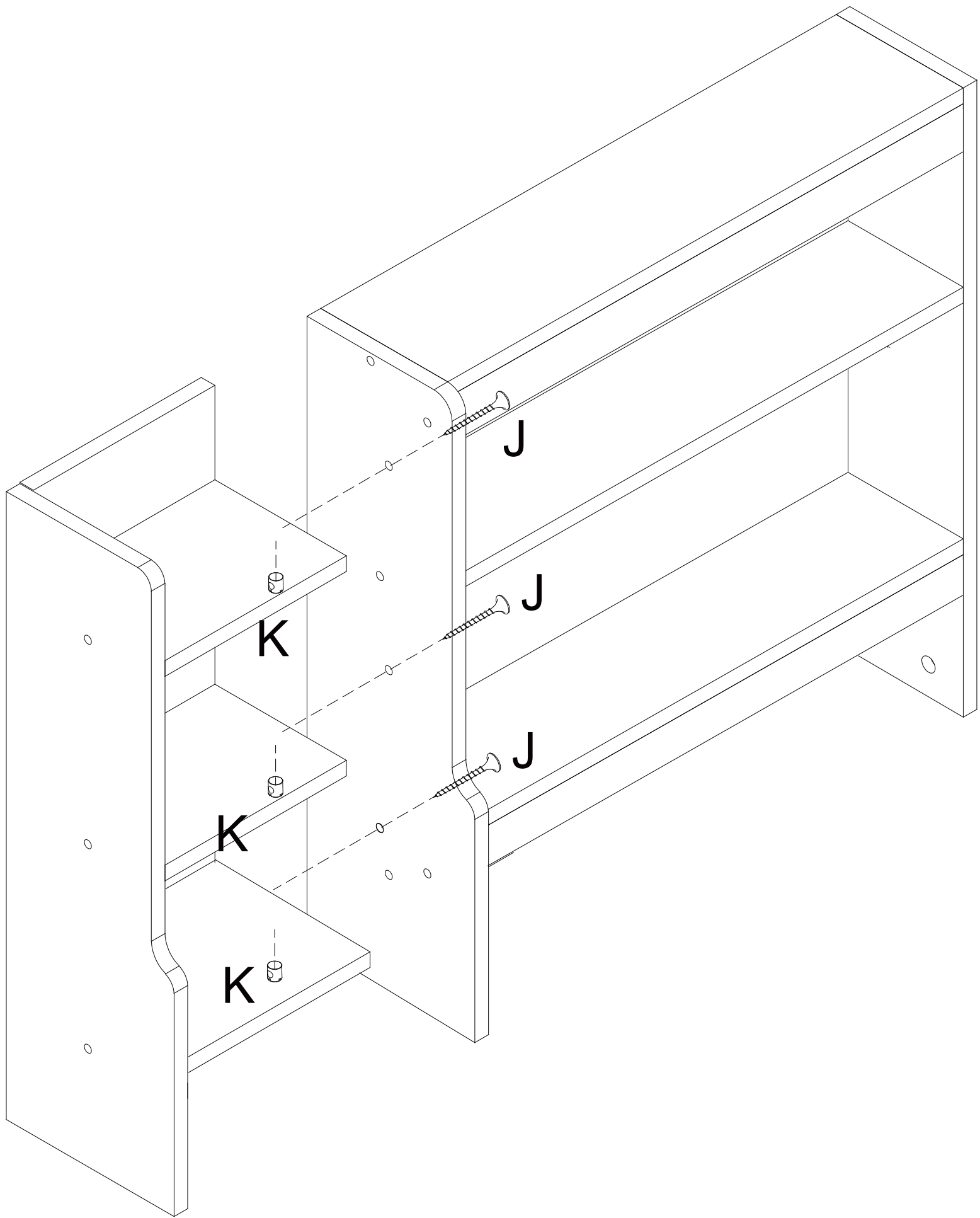
pick up ⑭ x1, ⑰ x1, ⑮ x2, ⑯ x2, ⑱ x1, ⑲ x1



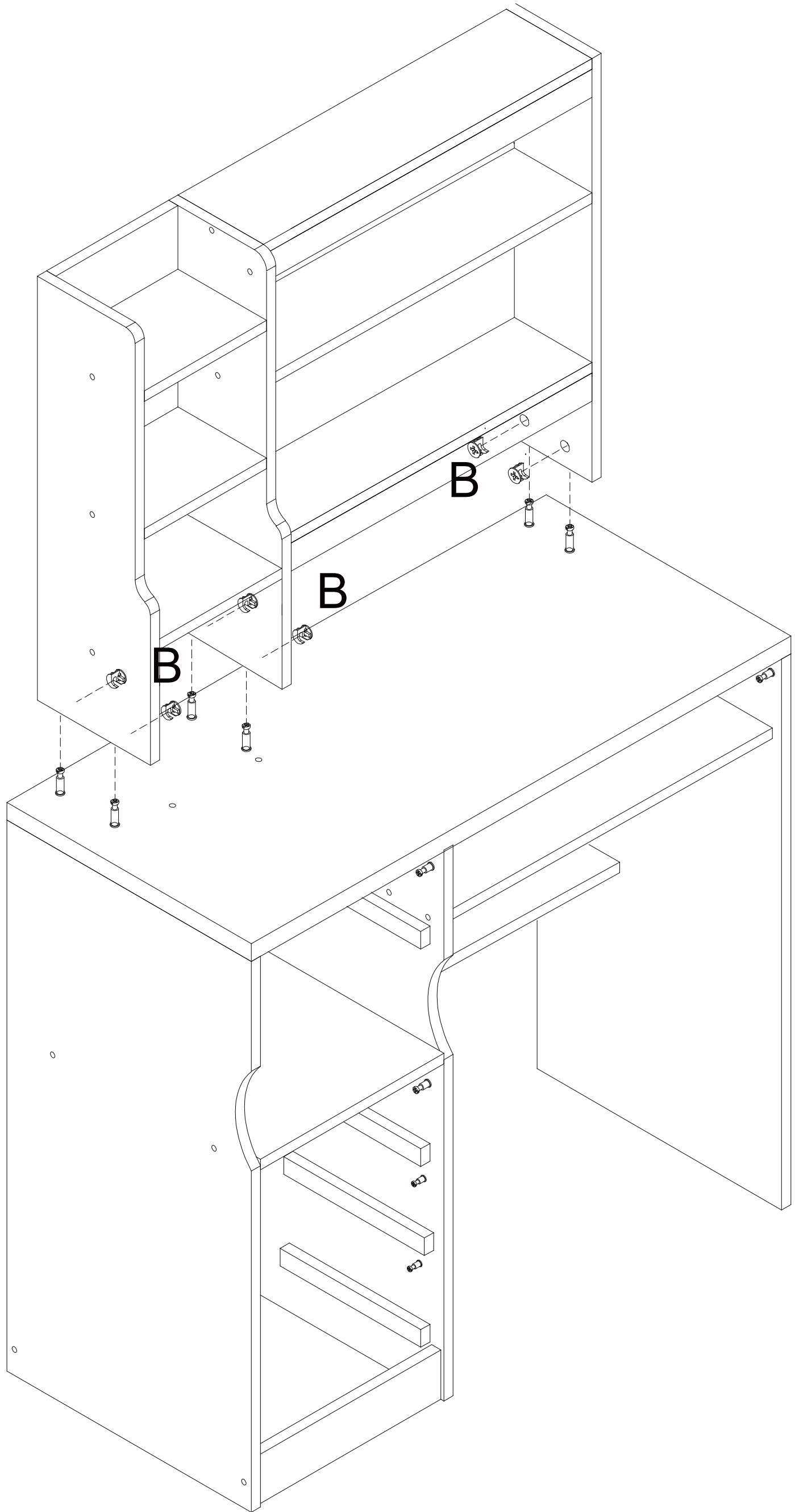
Step 13



Step 14

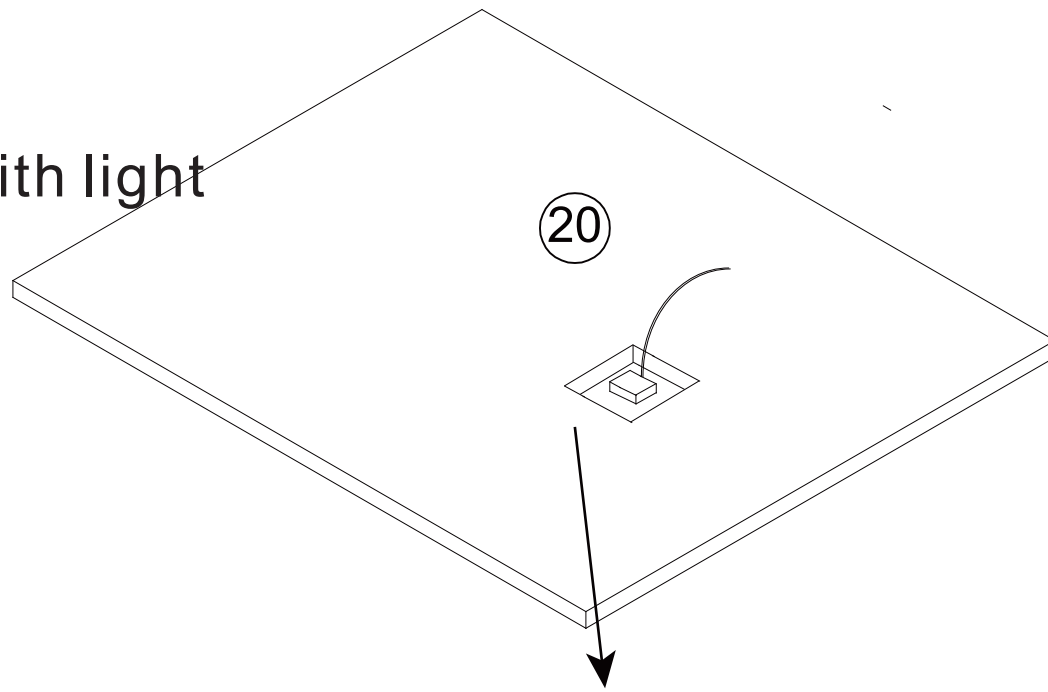


Step 15



Step 16

For vanity table with light

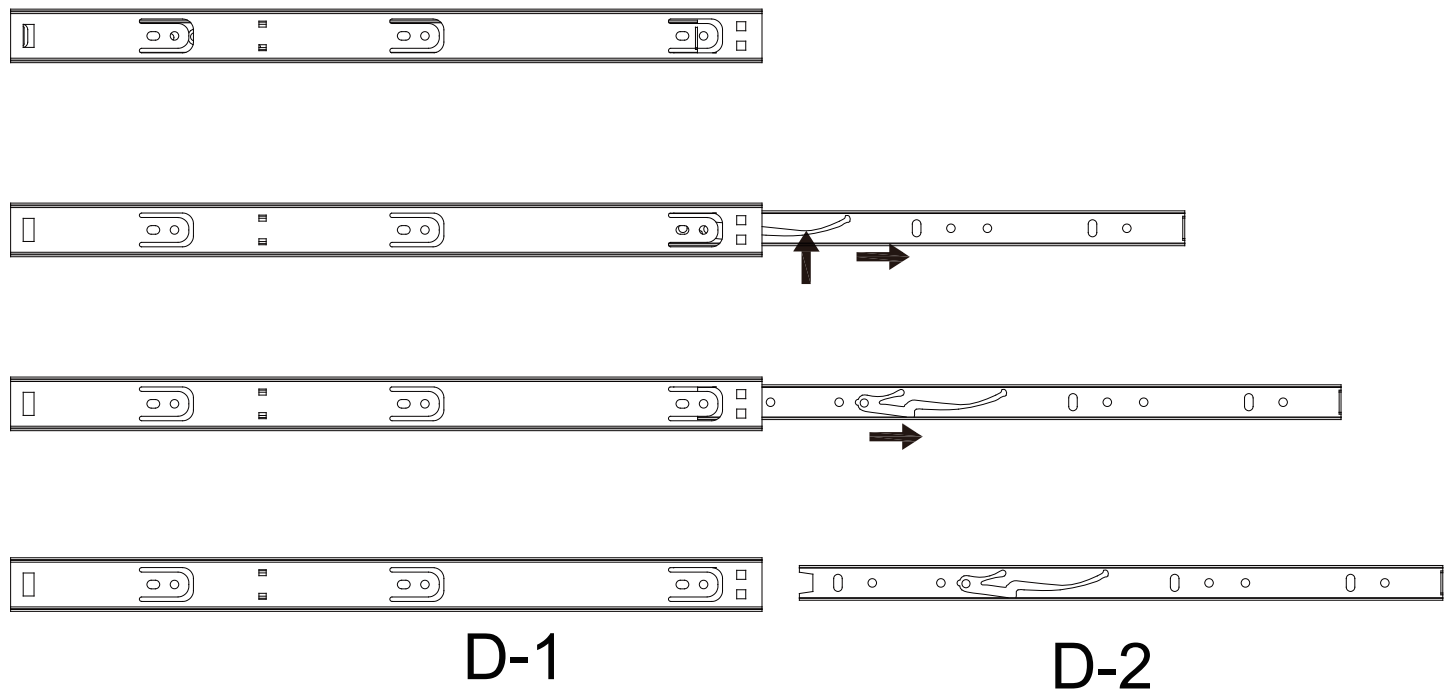
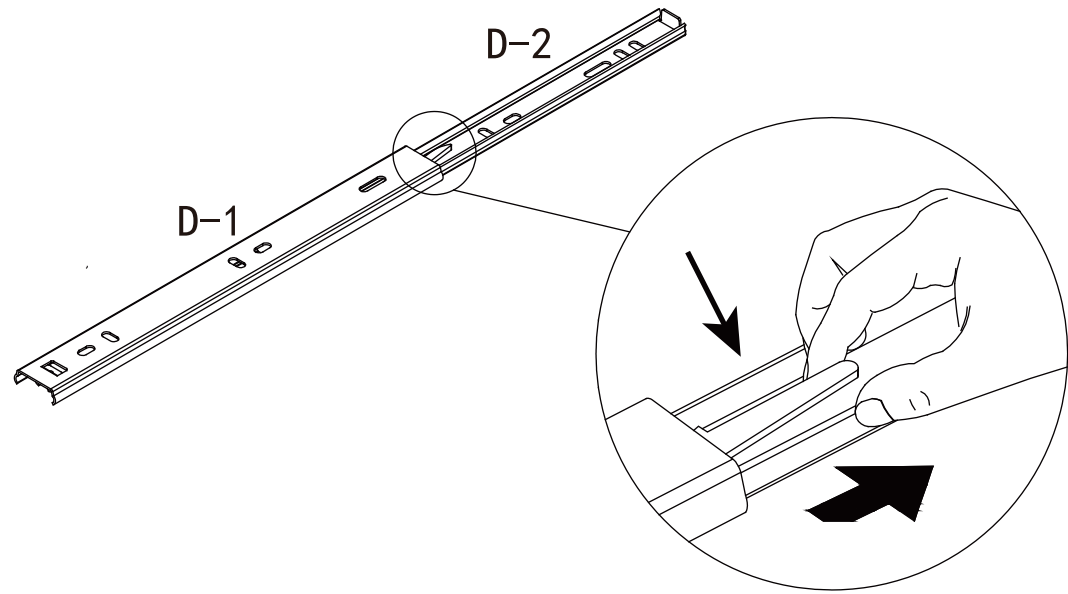


If your vanity table include a LED mirror light, please test the light in this step. Touch the switch botton on the mirror to turn on the mirror light, click the switch botton to change the color of the light, and long press the switch botton to adjust the brightness. If the switch botton is not sensitive, you can check whether the touch switch is tightly attached to the mirror back as shown in the diagram. If it is not tightly attached, please use your fingers to press the touch switch to the designated position and check if the connecting wire is OK.

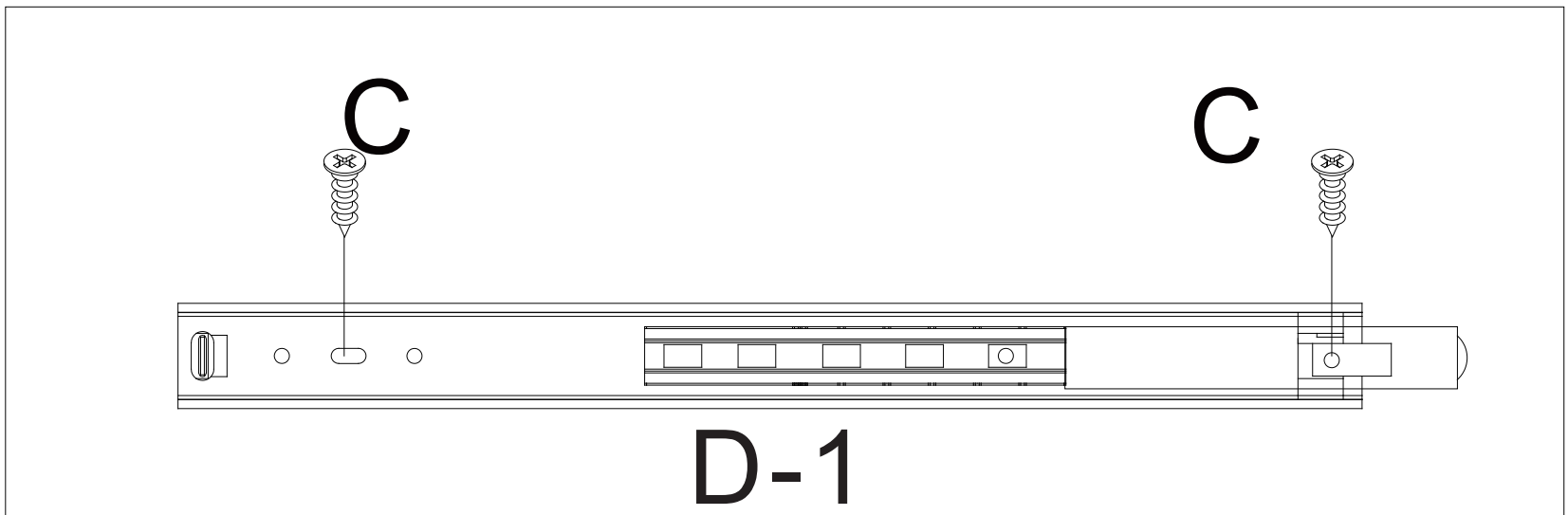
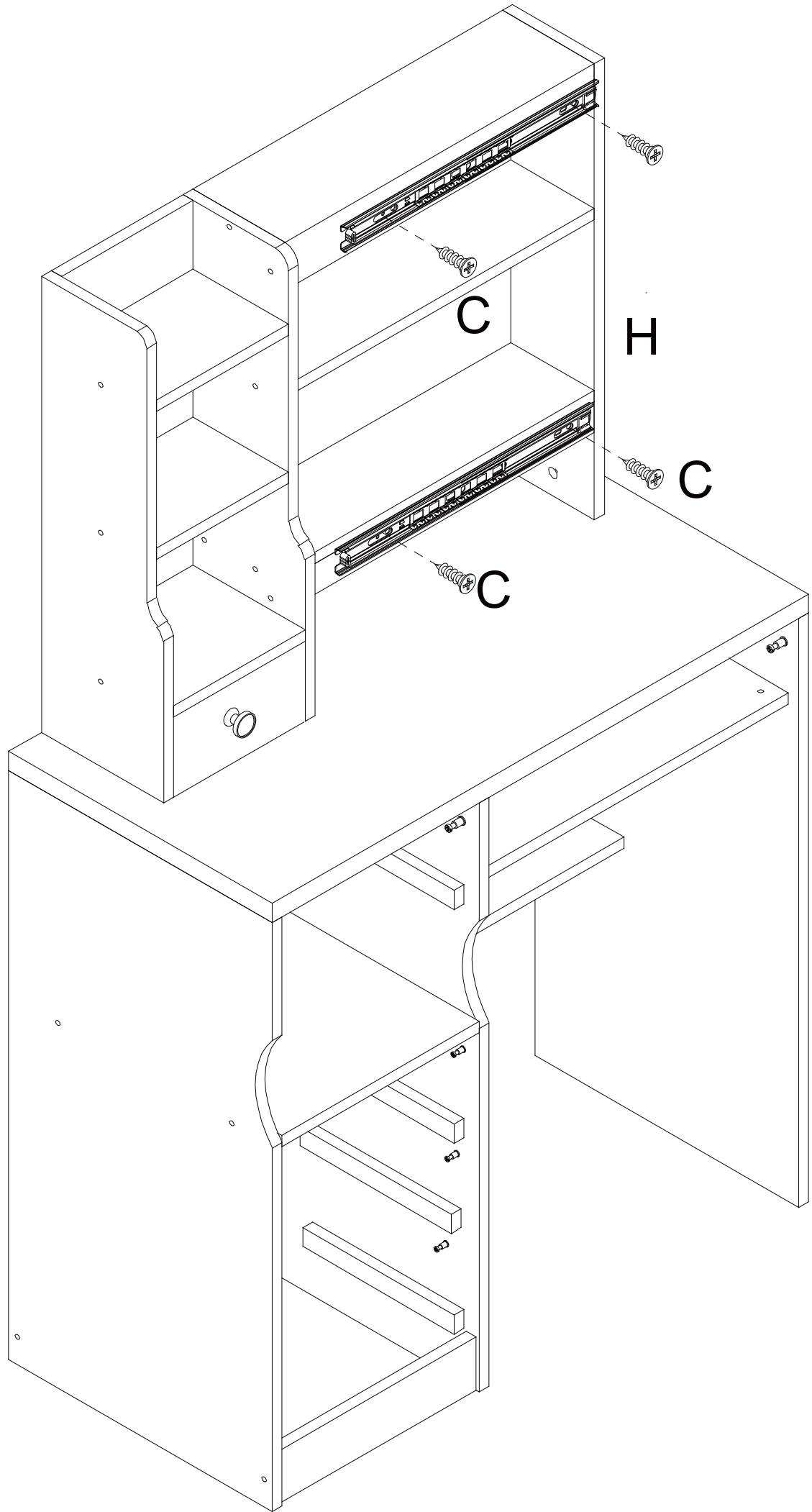


Please connect the light power cord as shown in the diagram, click the touch switch to turn on the mirror light. Please note that due to strict safety standards and heat dissipation requirements, the maximum brightness of the mirror light must be controlled below the safety standards. Therefore, the mirror light is not very bright and is not used for lighting purposes. It is only used to adjust the color of the environment. If you think that the light is not bright enough, it is due to safety standards limitations, not product quality defects.

Step 17

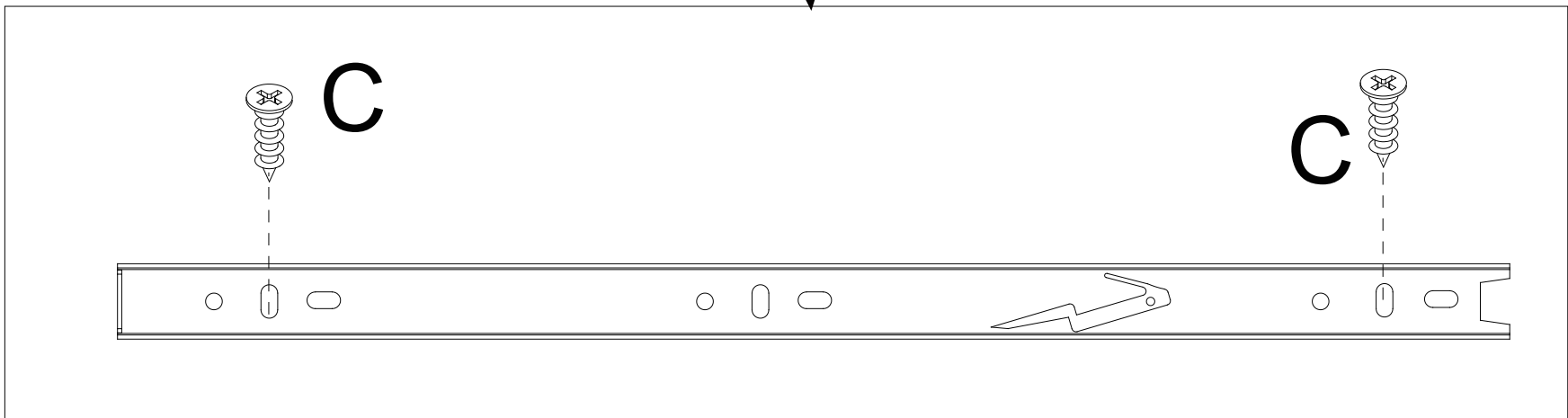
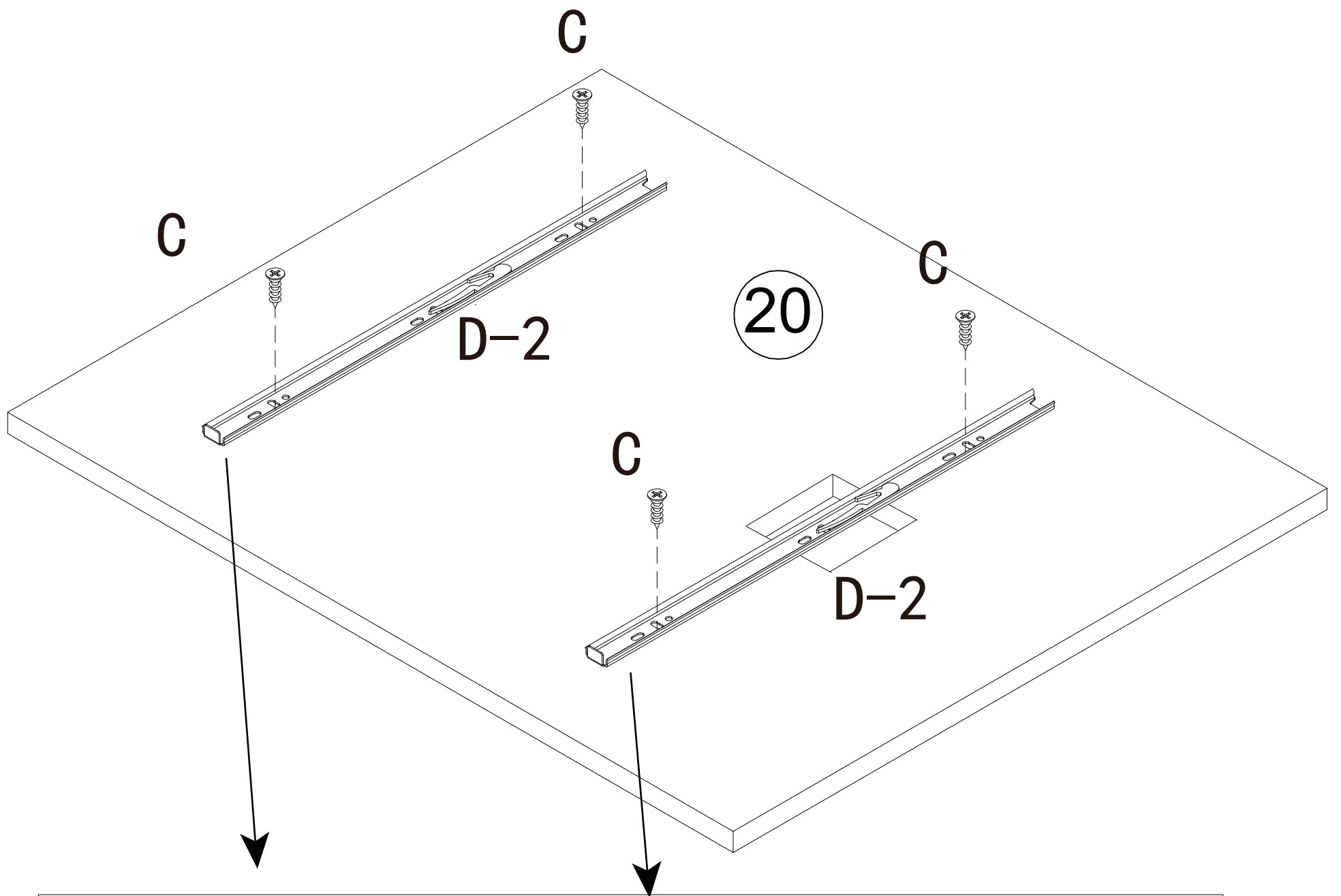


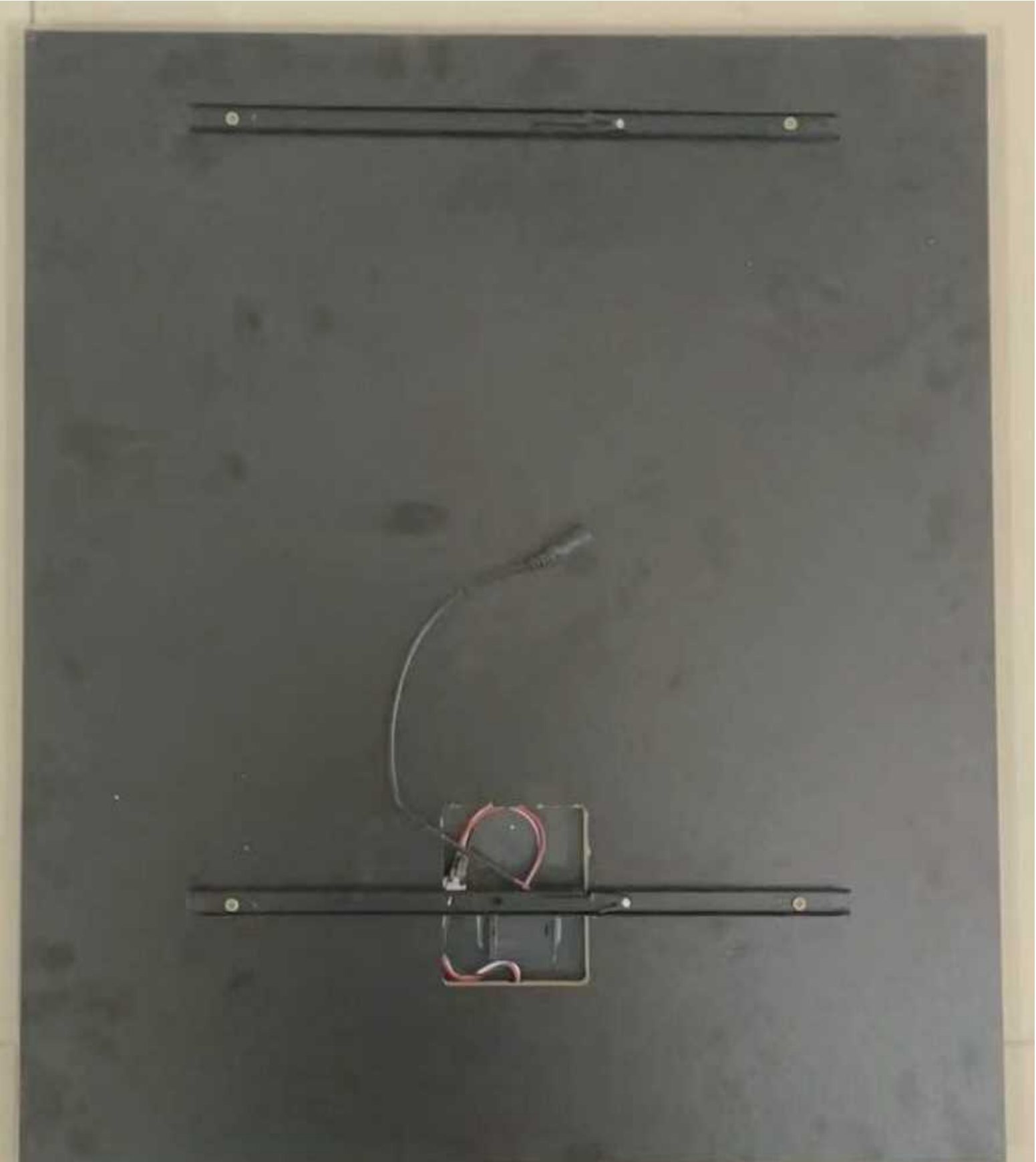
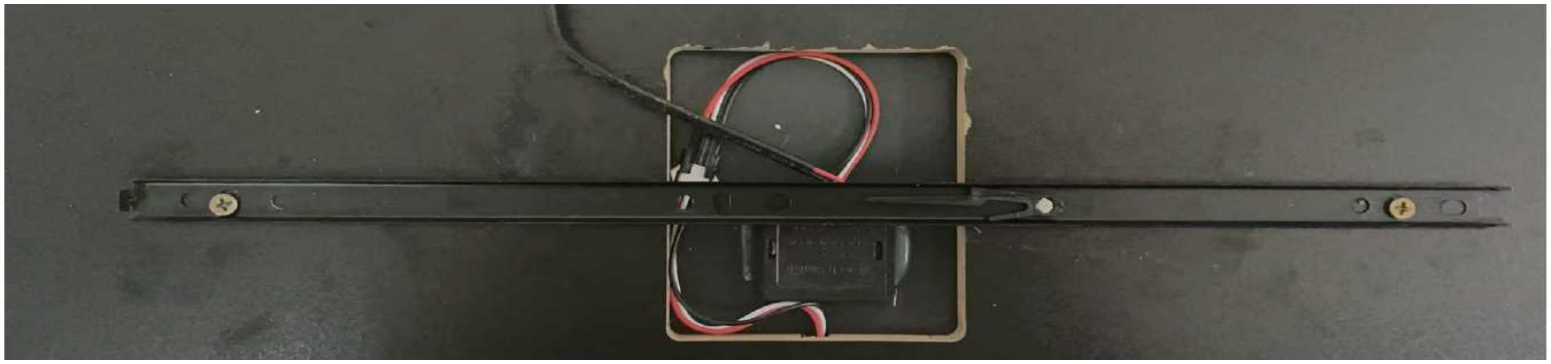
Step 18





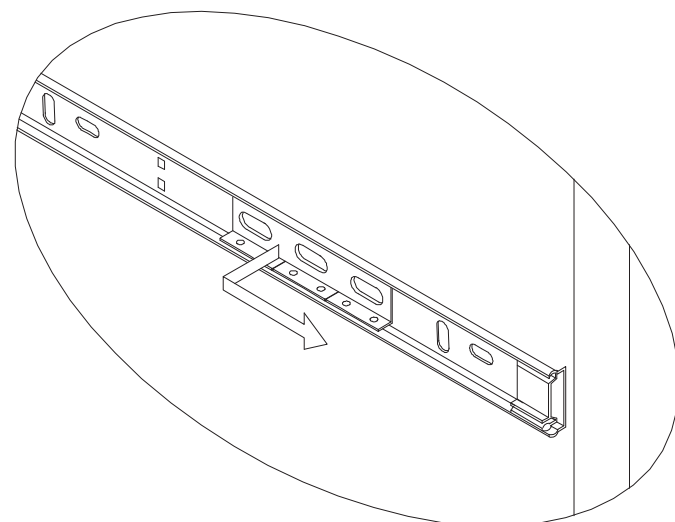
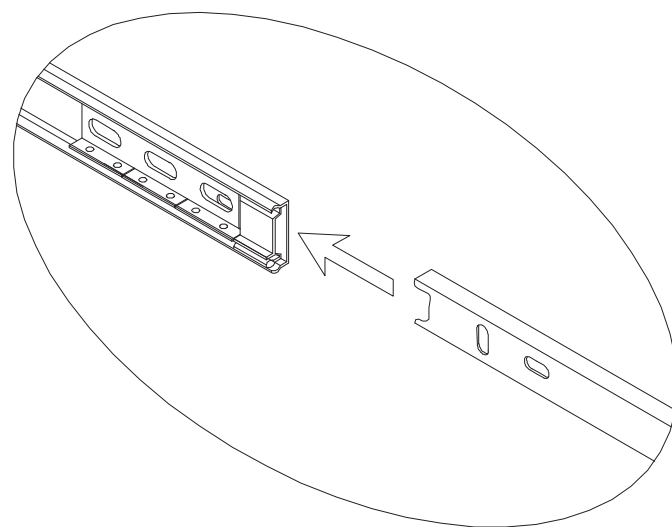
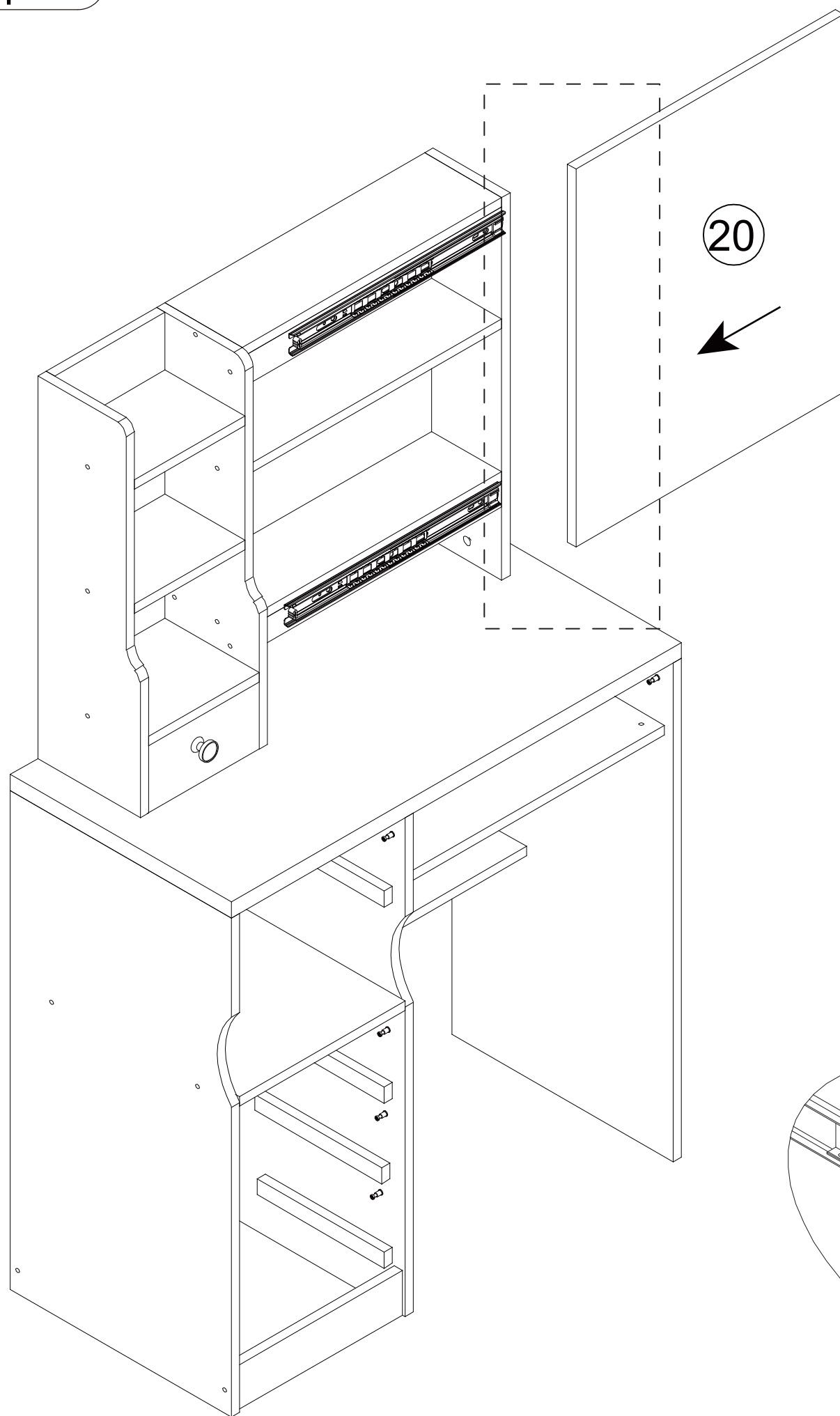
Step 19



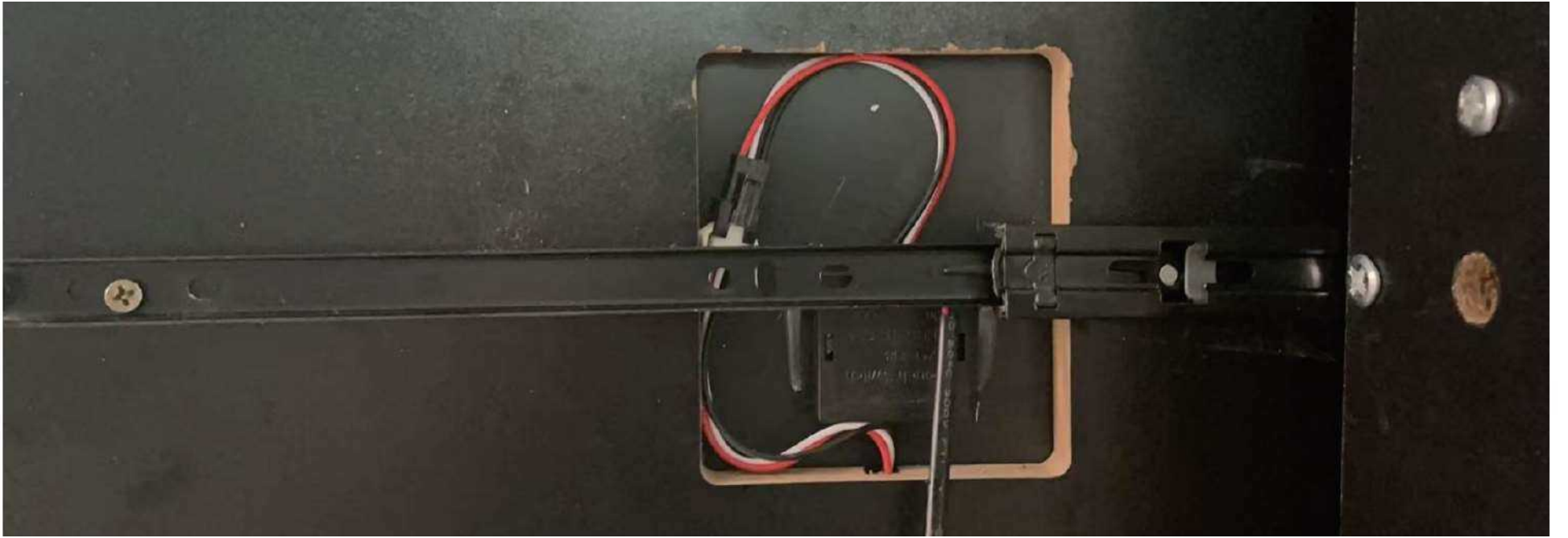


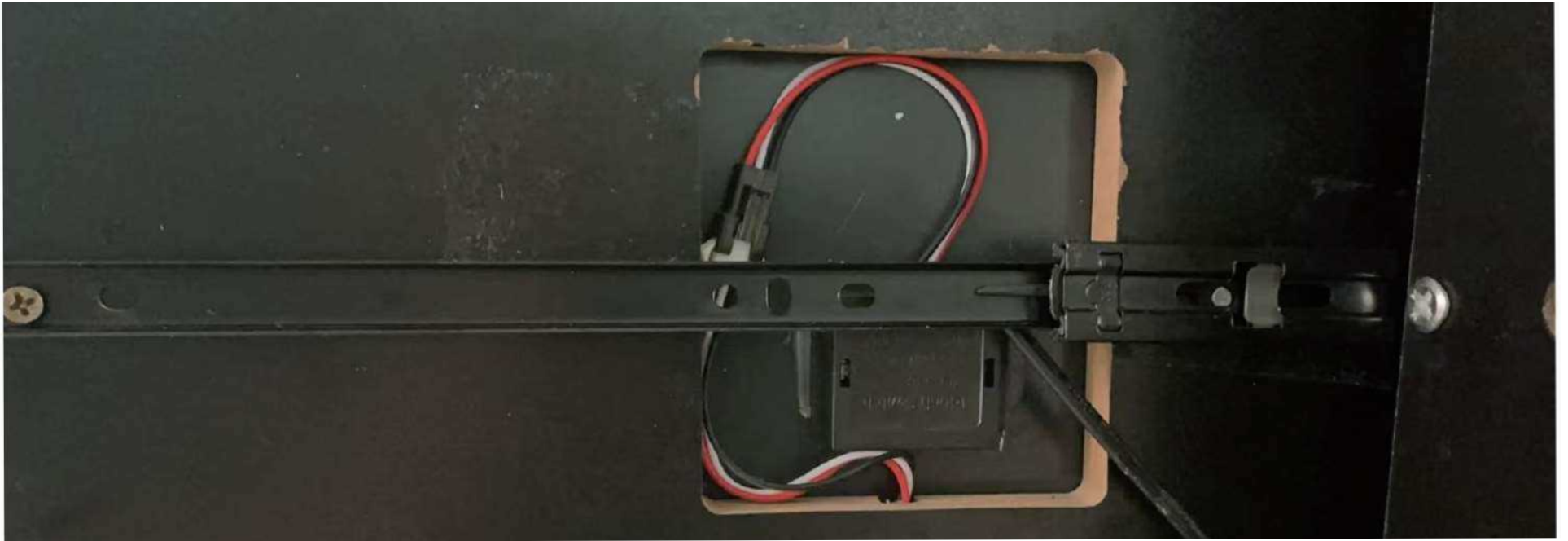
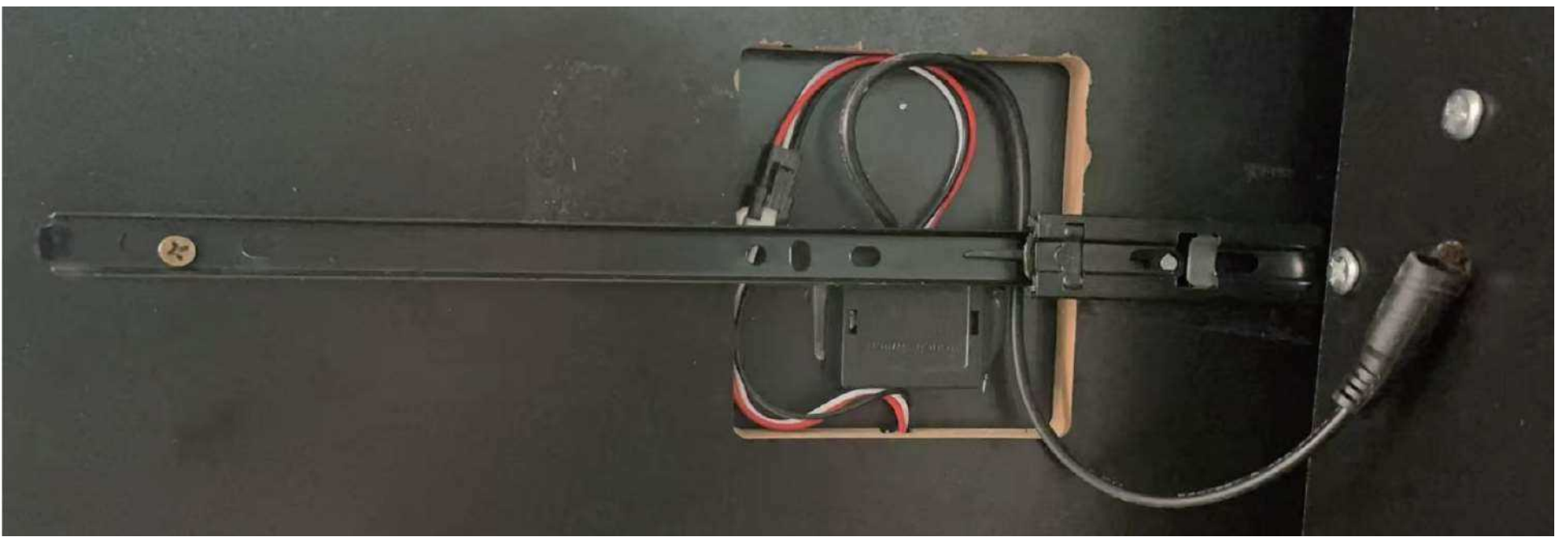
Simple version without touch switch and power cord

Step 20



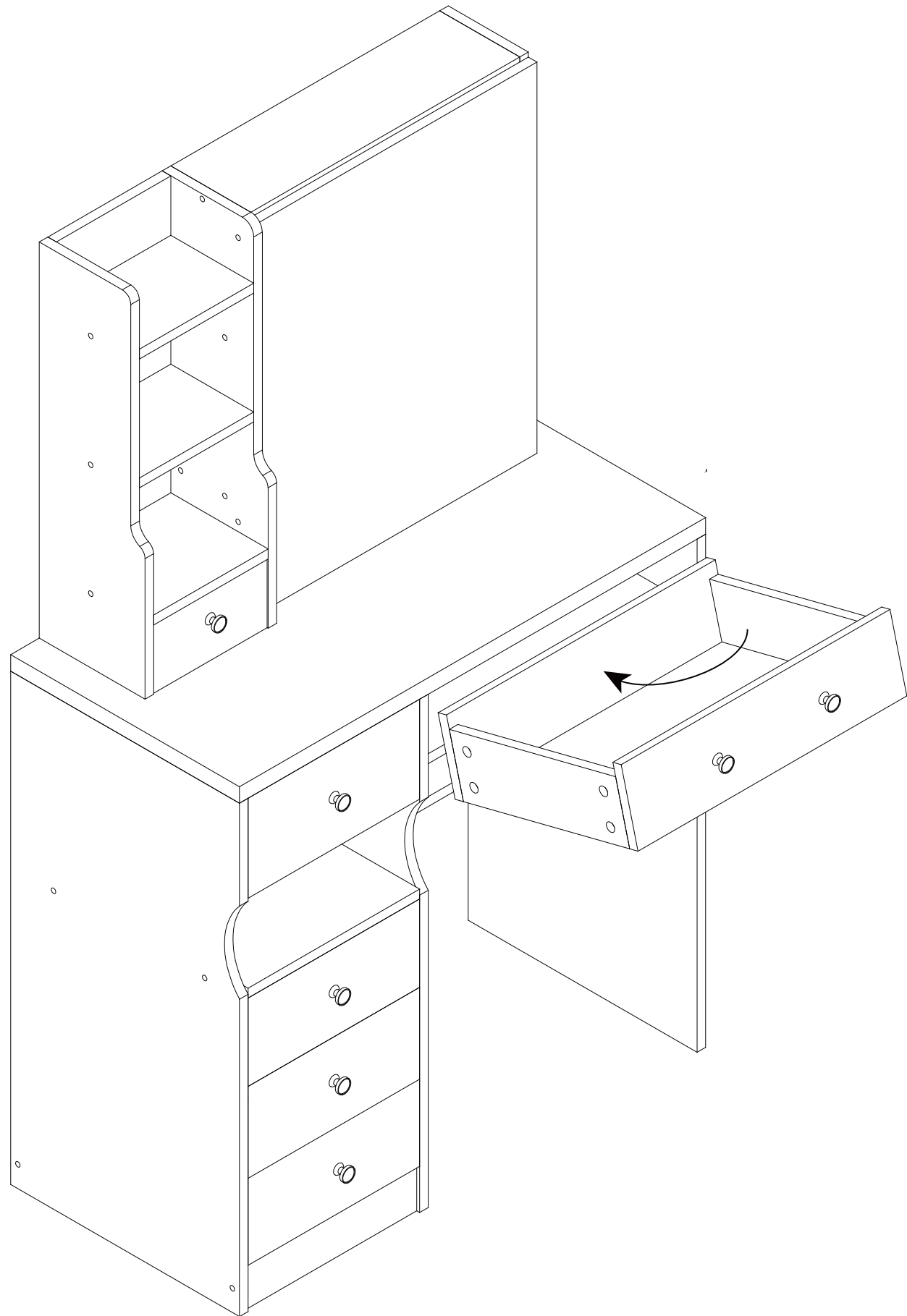






Simple version without touch switch and power cord

Step 21



Please note that when placing the drawer in, the drawer positioning pin will block the drawer. Therefore, please follow the diagram to first insert the inner edge of the drawer using a concave method, and then push the drawer flat.

Step 22

