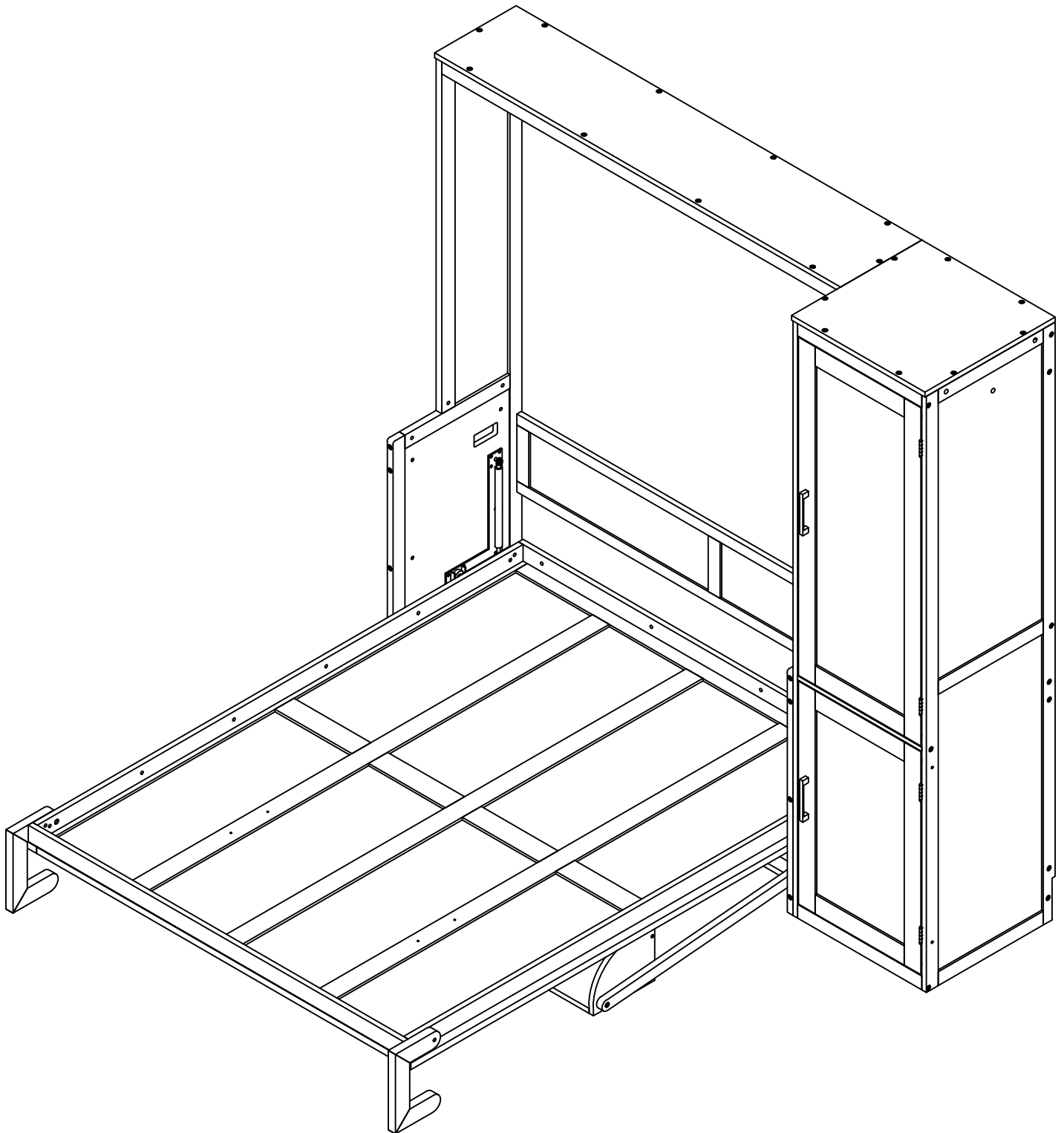


ASSEMBLY INSTRUCTIONS

QUEEN MURPHY WALL BED, WADROBE, CABINET + USB

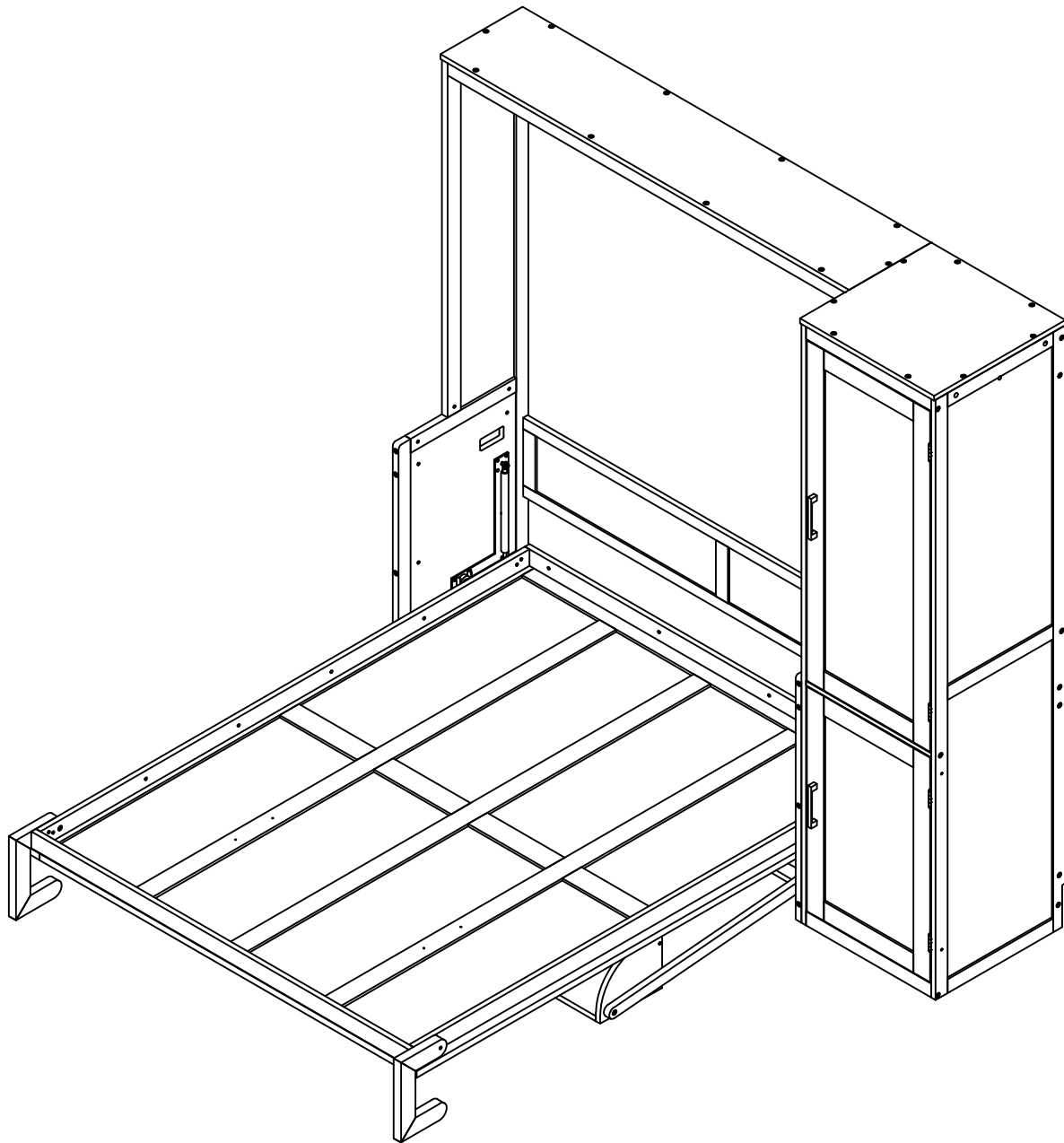


SD33024

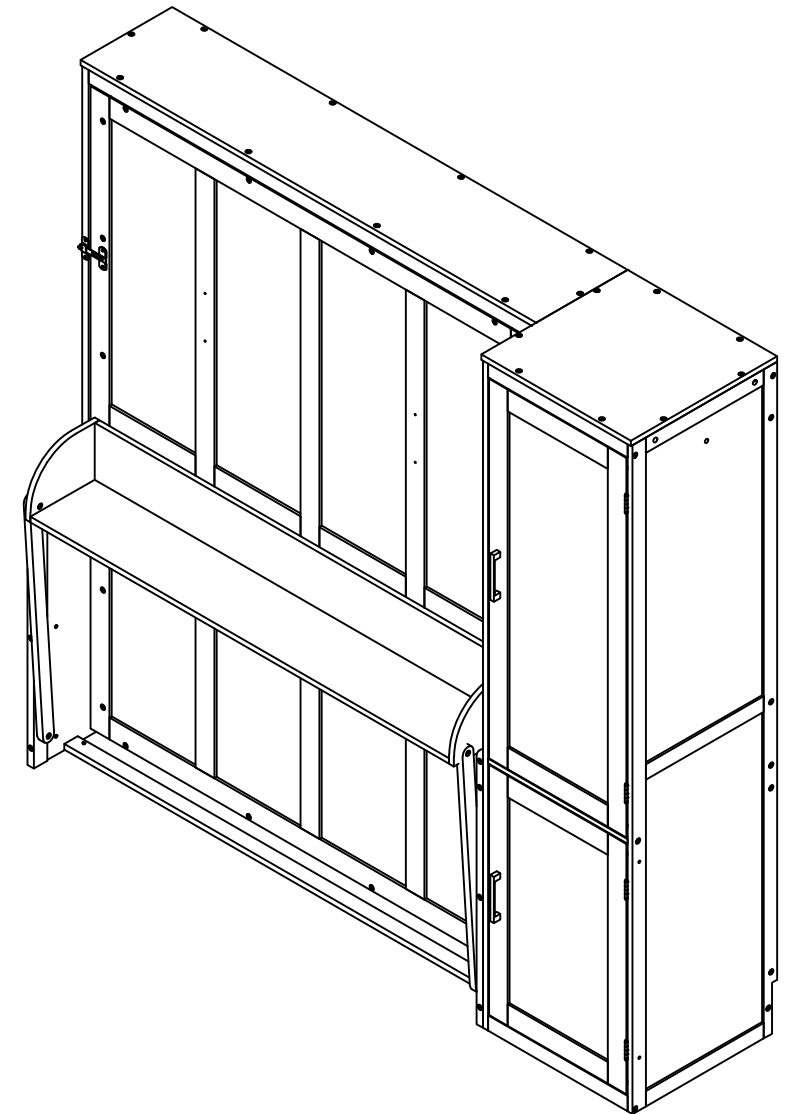


Safety Suggestion: Four individuals be actively engaged in the entire assembly process to maintain stability, to prevent unexpected tilting over, which could lead to serious injuries .

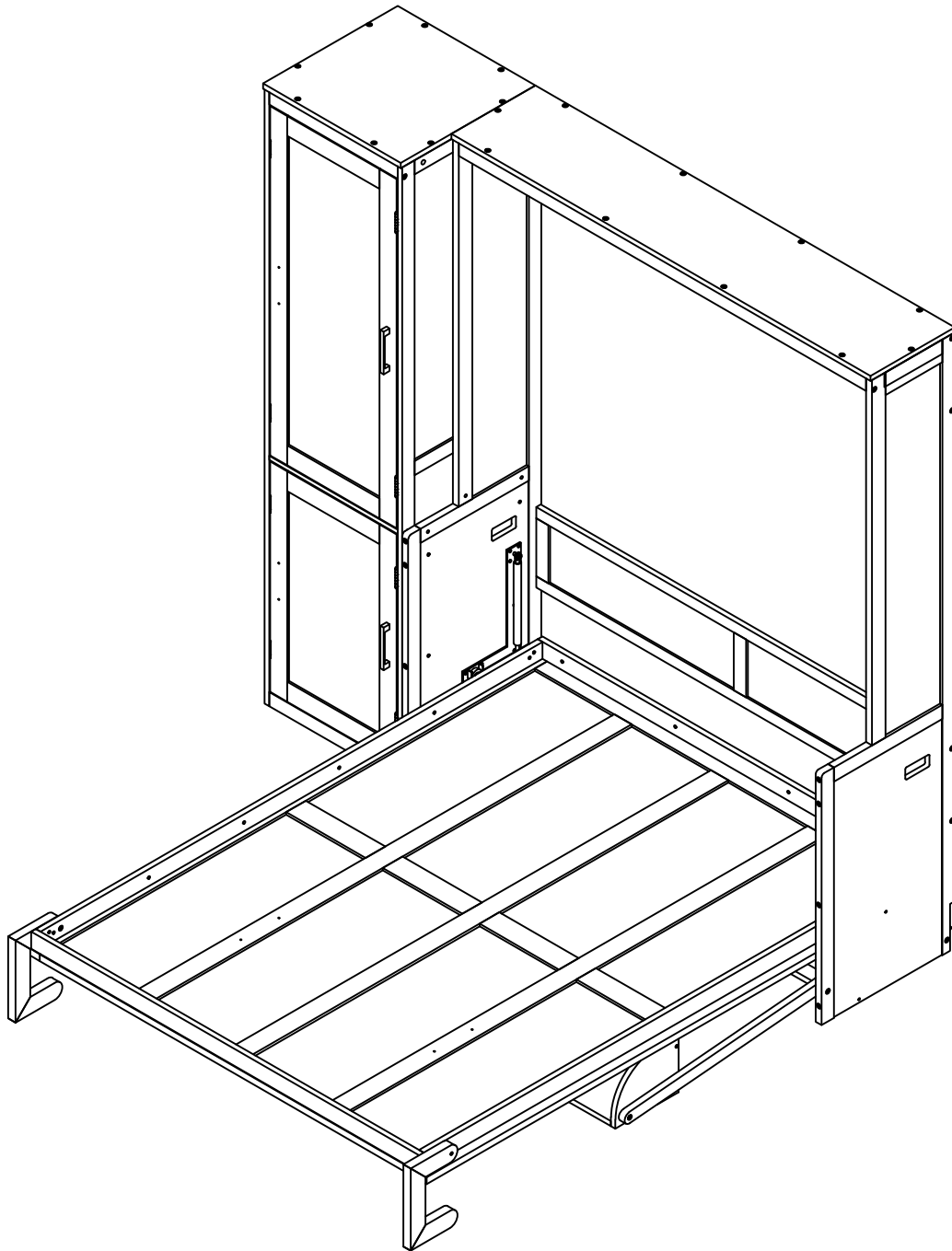
OPTION 1



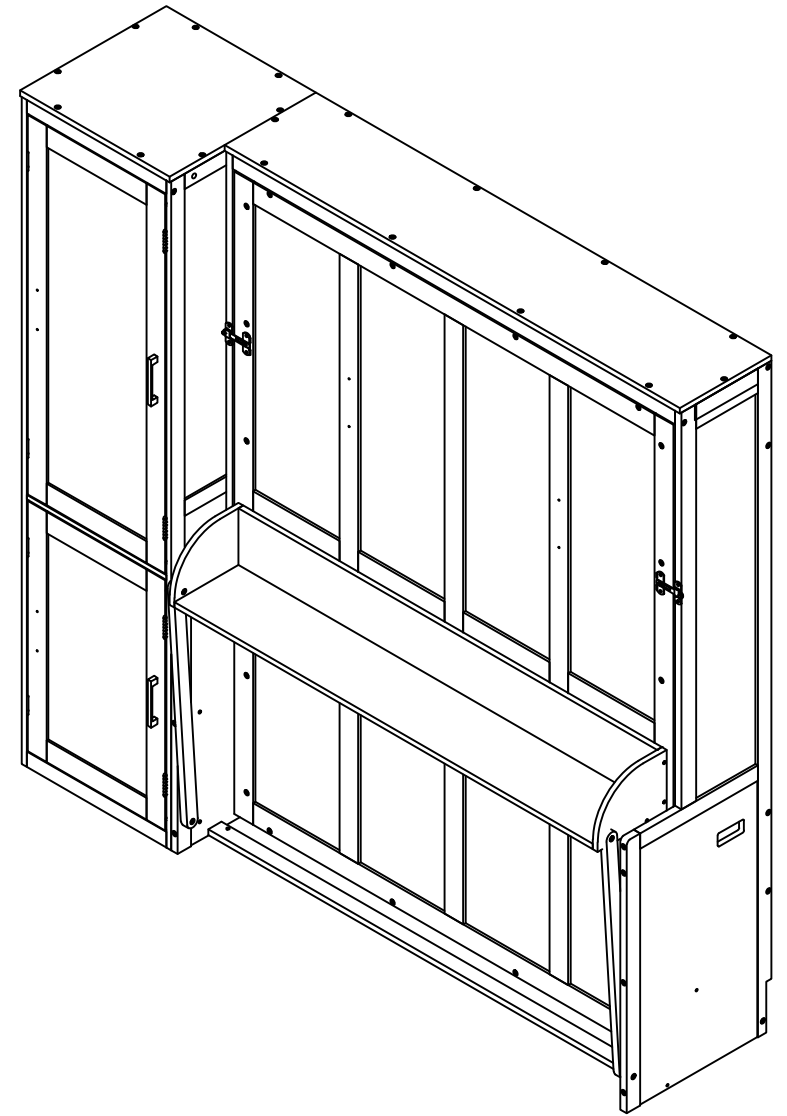
OPTION 2



OPTION 3



OPTION 4



WALL ANCHORING REQUIREMENTS & INSTALLATION RECOMMENDATIONS

Important information to read before starting the assembly.
Keep this information for future reference.



IMPORTANT WARNINGS

Risk of serious injuries if the wall bed tips over.

To prevent wall bed from tipping over, mount it permanently to the wall.

Only a qualified person* must carry out the installation and any possible adjustment of the wall bed (including disassembly). If the wall bed is not firmly mounted (anchored) to the wall, it might tip over and cause serious injuries to the installer, users of the bed as well as the people near the bed.

The choice of wall anchoring depends on the type of wall. Use wall anchors suitable for the wall material.

* Qualified person: it is necessary to have a good understanding of the wall structure where the bed is anchored, including the positioning of the wall studs and structural components in the case of a wood or metal structure. If you do not have the necessary skills, make sure that the wall anchoring is done by someone who has the qualifications and required knowledge. When you choose the installer, make sure to comply with all applicable regulations in the province, state or country where the furniture is installed.

IMPORTANT WARNINGS

INSTALLATION AND APPROPRIATE HARDWARE

Using appropriate hardware, all the anchor screws of the wall bed must be firmly secured to the wood or metal studs, the structural components, or a masonry wall.

Only wall anchor screws for wood-frame walls are provided with this bed.

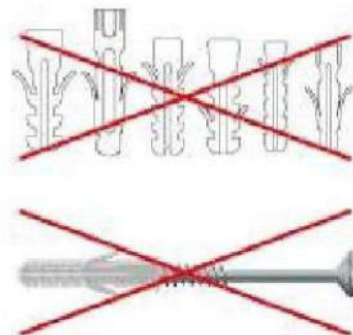
NEVER USE DRYWALL ANCHOR SCREWS OR SECURE THE BED TO DRYWALL

See wall anchoring requirements and installation notes provided in the instruction manual, according to the type of wall, and use the appropriate anchors such as described in this manual.

NUMBER OF SCREWS NEEDED

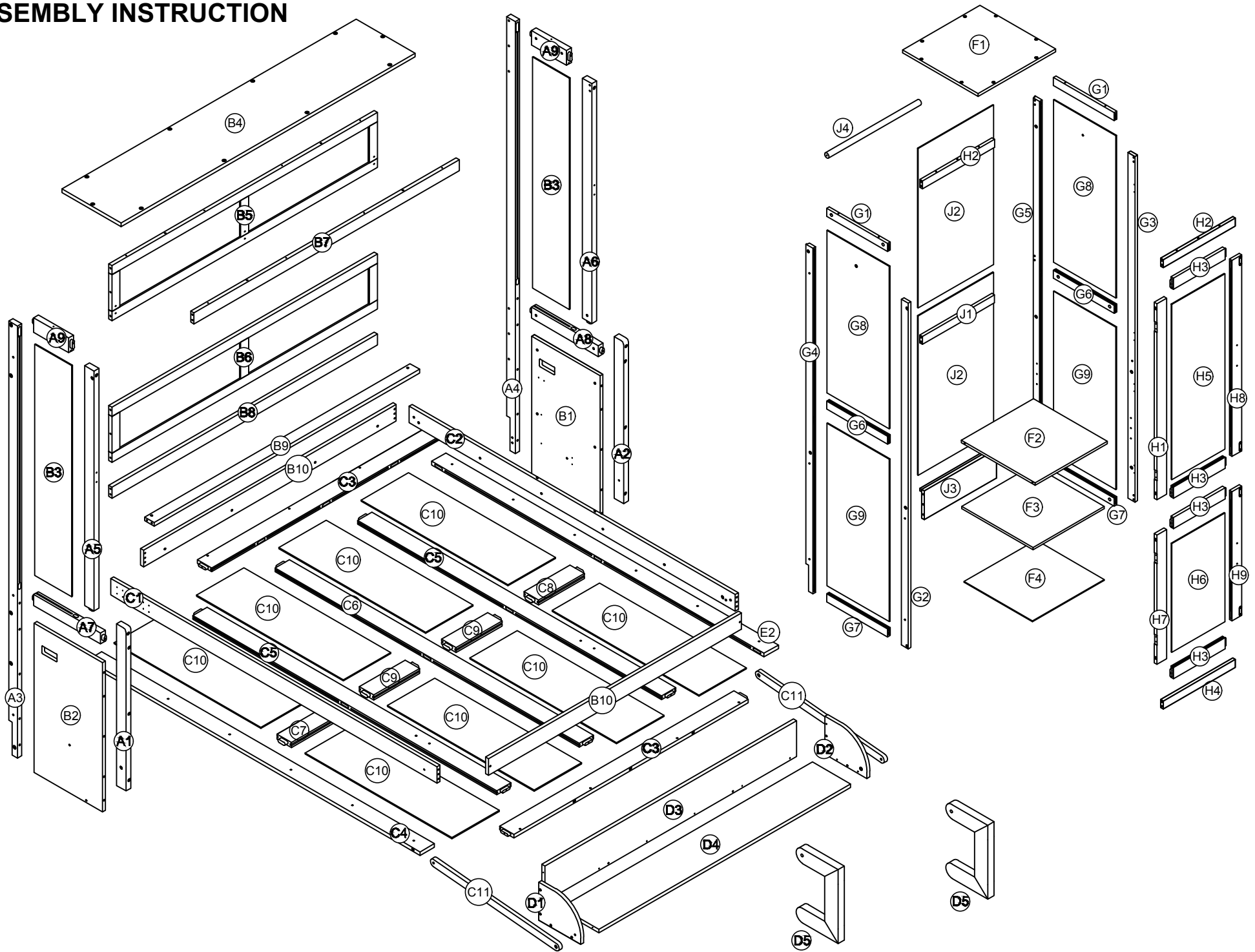
Two (2) screws are required for each anchor point. Three (3) wall anchor points are necessary for the proper installation of the wall bed. So you need a total of six (6) wall anchor screws.

THE SCREWS MUST BE VERY WELL ANCHORED TO THE STRUCTURAL COMPONENTS OF THE WALL.



** A CERTIFIED CONSTRUCTION PROFESSIONAL, IN COMPLIANCE WITH APPLICABLE REGULATIONS IN THE PROVINCE, STATE, OR COUNTRY WHERE THE FURNITURE IS INSTALLED.

ASSEMBLY INSTRUCTION



Part List (Box 1)

A1



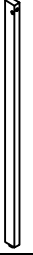
Wood Bar-1pc

A2



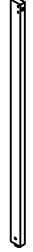
Wood Bar-1pc

A5



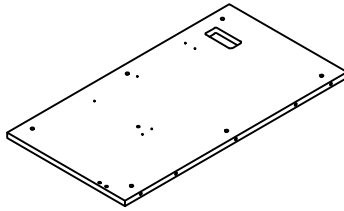
Wood Bar-1pc

A6



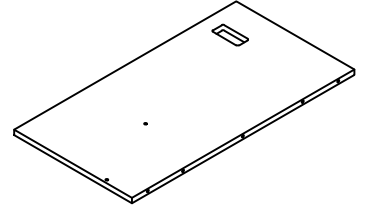
Wood Bar-1pc

B1



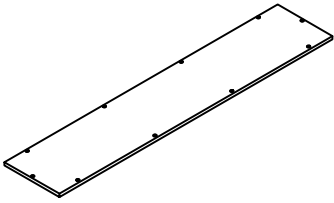
Left Bottom Panel -1pc

B2



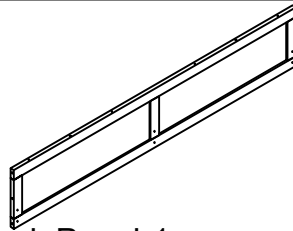
Right Bottom Panel -1pc

B4



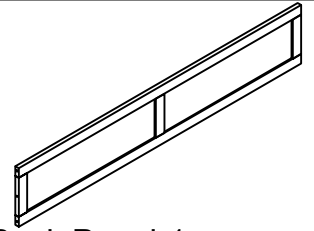
Cap Panel-1pc

B5



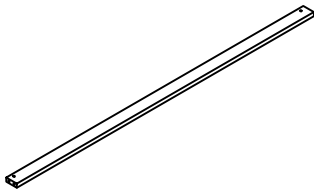
Upper Back Panel-1pc

B6



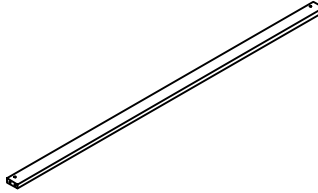
Lower Back Panel-1pc

B8



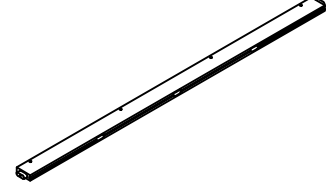
Wood Bar-1pc

B9



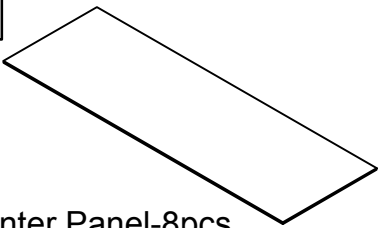
Wood Bar-1pc

C3



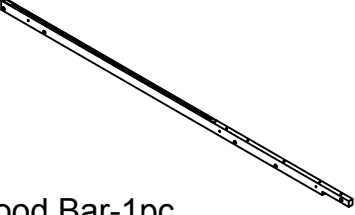

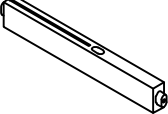
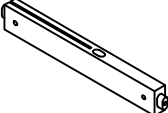
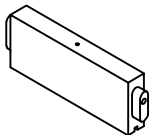
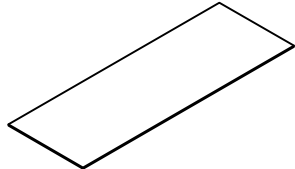
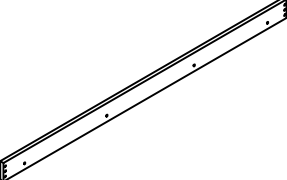
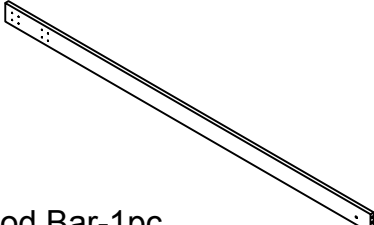
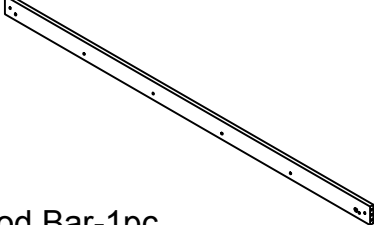
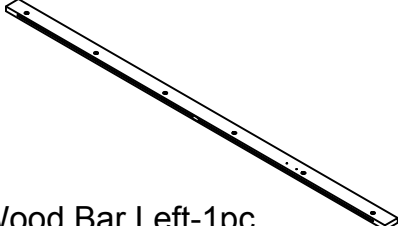
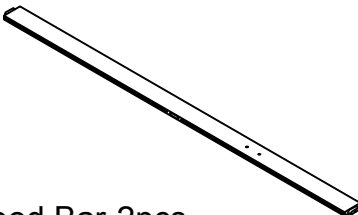

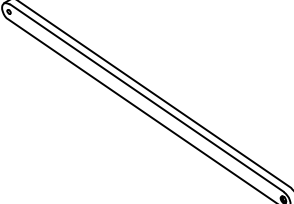
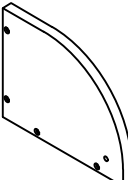
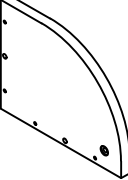
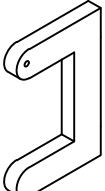

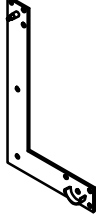
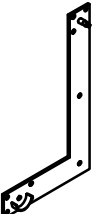
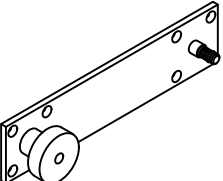
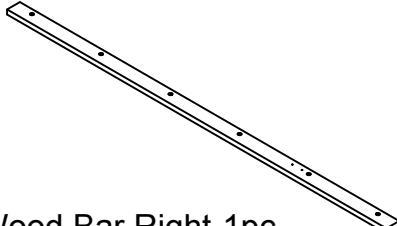
Wood Bar-2pcs

C10

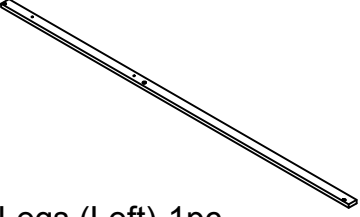
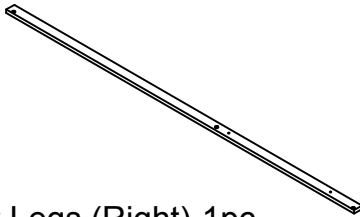
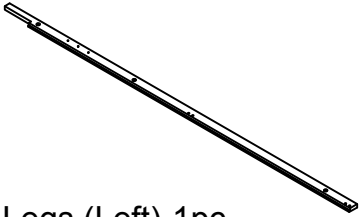
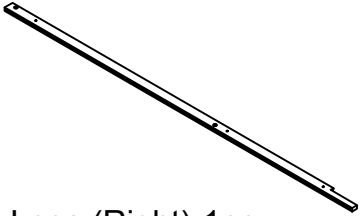


Center Panel-8pcs

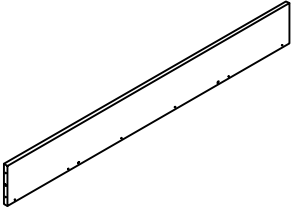
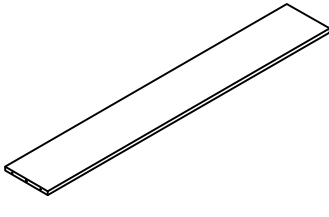
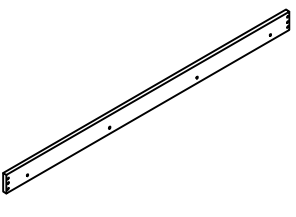
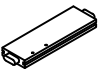
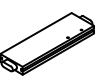
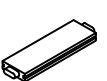
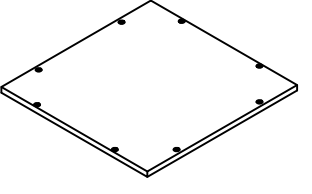
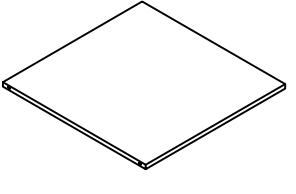
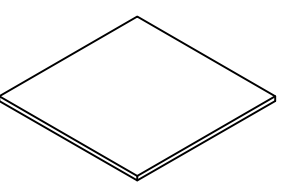
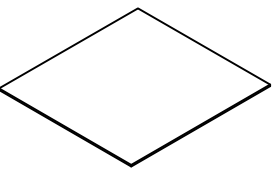
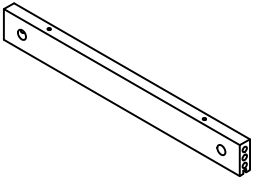
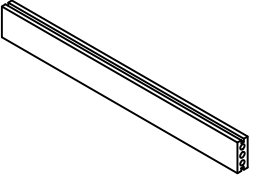
Part List & Hardware List (Box 2)

<p>A3</p>  <p>Wood Bar-1pc</p>	<p>A4</p>  <p>Wood Bar-1pc</p>	<p>A7</p>  <p>Left Lower Bar-1pc</p>
<p>A8</p>  <p>Right Lower Bar-1pc</p>	<p>A9</p>  <p>Left & Right Upper Bar-2pcs</p>	<p>B3</p>  <p>Left & Right Upper Panel-2pcs</p>
<p>B10</p>  <p>Wood Bar-2pcs</p>	<p>C1</p>  <p>Wood Bar-1pc</p>	<p>C2</p>  <p>Wood Bar-1pc</p>
<p>C4</p>  <p>Wood Bar Left-1pc</p>	<p>C5</p>  <p>Wood Bar-2pcs</p>	<p>C6</p>  <p>Wood Bar-1pc</p>
<p>C11</p>  <p>Shelf Support-2pcs</p>	<p>D1</p>  <p>Shelf Left Side Panel-1pc</p>	<p>D2</p>  <p>Shelf Right Side Panel-1pc</p>
<p>D5</p>  <p>Leg Irons-2pcs</p>	<p>D6</p>  <p>Gas Spring-2pcs</p>	<p>D7</p>  <p>Left Metal Corner Bracket-1pc</p>
<p>D8</p>  <p>Right Metal Corner Bracket-1pc</p>	<p>E1</p>  <p>Metal Connecting Plate-2pcs</p>	<p>E2</p>  <p>Wood Bar Right-1pc</p>

Part List & Hardware List (Box 2)

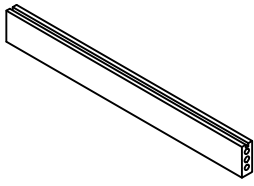
<p>G2</p>  <p>Front Legs (Left)-1pc</p>	<p>G3</p>  <p>Front Legs (Right)-1pc</p>	<p>G4</p>  <p>Back Legs (Left)-1pc</p>
<p>G5</p>  <p>Back Legs (Right)-1pc</p>		

Part List (Box 3)

<p>D3</p>  <p>Shelf Panel-1pc</p>	<p>D4</p>  <p>Shelf Panel-1pc</p>	<p>B10</p>  <p>Wood Bar-2pcs</p>
<p>C7</p>  <p>Wood Bar-1pc</p>	<p>C8</p>  <p>Wood Bar-1pc</p>	<p>C9</p>  <p>Wood Bar-2pcs</p>
<p>F1</p>  <p>Cap Panel-1pc</p>	<p>F2</p>  <p>Upper Shelf-1</p>	<p>F3</p>  <p>Lower Shelf-1</p>
<p>F4</p>  <p>Bottom-1pc</p>	<p>G1</p>  <p>Left & Right Upper Bar-2pcs</p>	<p>G6</p>  <p>Middle Bar-2pcs</p>

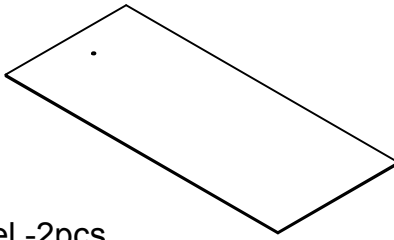
Part List (Box 3)

G7



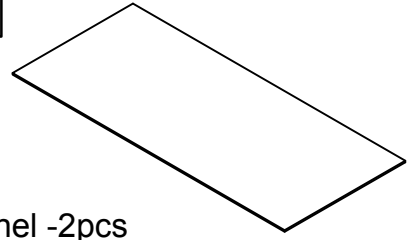
Lower Bar-2pcs

G8



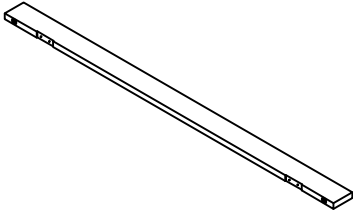
Panel -2pcs

G9



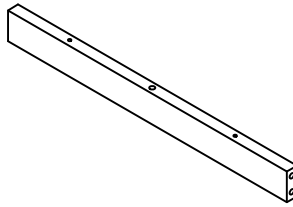
Panel -2pcs

H1



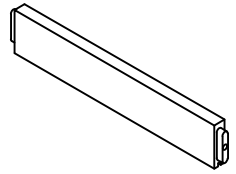
Door Bar-1pc

H2



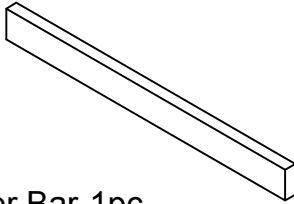
Upper Bar-2pcs

H3



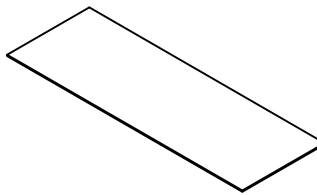
Door Bar-4pcs

H4



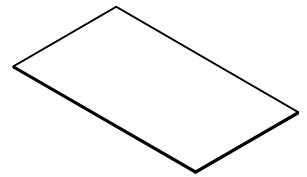
Lower Bar-1pc

H5



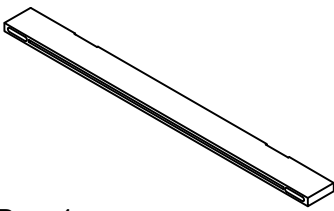
Panel -1pc

H6



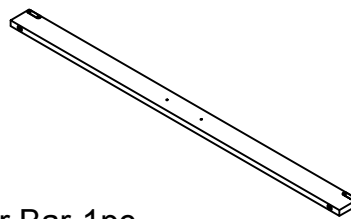
Panel -1pc

H7



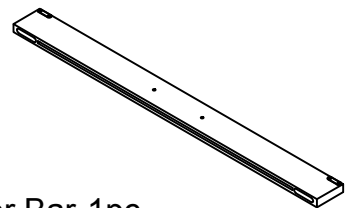
Door Bar-1pc

H8



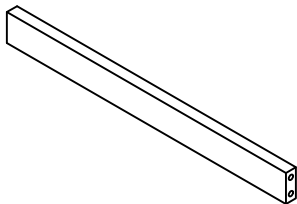
Door Bar-1pc

H9



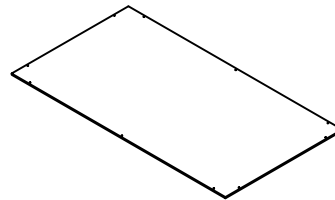
Door Bar-1pc

J1



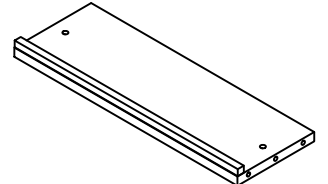
Wood Bar-1pc

J2



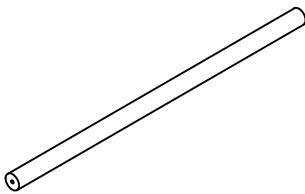
Panel -2pcs

J3

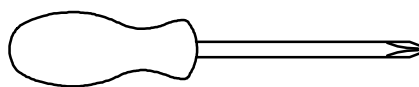


Lower Bar-1pc

J4

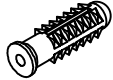
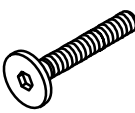
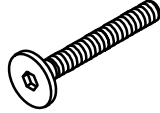
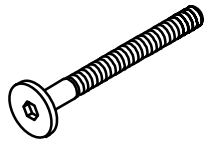
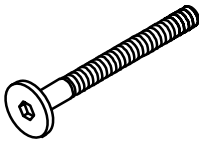
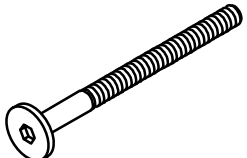
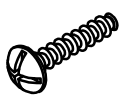
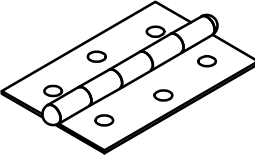
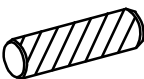

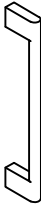

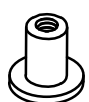

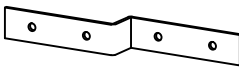


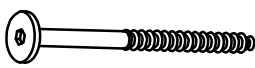





Wood Bar-1pc



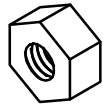
Assembly Tools Required (Not Included)

Hardware List (Box 2)

<p>1</p>  <p>Plastic Wall Anchors 8pcs</p>	<p>2</p>  <p>Ø1/4" x 30 mm Hex-Head Bolts 7pcs</p>	<p>3</p>  <p>Ø1/4" x 40 mm Hex-Head Bolts 4pcs</p>
<p>4</p>  <p>Ø1/4" x 60 mm Hex-Head Bolts 28pcs</p>	<p>5</p>  <p>Ø1/4" x 70 mm Hex-Head Bolts 26pcs</p>	<p>6</p>  <p>Ø1/4" x 100 mm Hex-Head Bolts 30pcs</p>
<p>7</p>  <p>5/32" x 30 Pan-Head Bolts 8pcs</p>	<p>8</p>  <p>Hinges 3pcs</p>	<p>9</p>  <p>Ø8 x 30 mm Wood Dowels 70pcs</p>
<p>10</p>  <p>M4 x 40 mm Anchor Screws 8pcs</p>	<p>11</p>  <p>Handles 4pcs</p>	<p>12</p>  <p>Ø1/4" x 13 mm Horizontal-Hole Nuts 82pcs</p>
<p>13</p>  <p>Ø1/4" x 15 mm Canopy Head Nuts 6pcs</p>	<p>14</p>  <p>Ø19 / Ø8 x 2 mm Washer 6pcs</p>	<p>15</p>  <p>160x20x2mm Metal Corner Brackets 4pcs</p>
<p>16</p>  <p>Allen Key 3pcs</p>	<p>17</p>  <p>Screws 1/4" x 40 20pcs</p>	<p>18</p>  <p>Screws 1/4" x 100 10pcs</p>
<p>19</p>  <p>M4 x 20 mm Pan-Head Screws 8pcs</p>	<p>20</p>  <p>M3 x 15 mm Wood Screws 46pcs</p>	<p>21</p>  <p>M4 x 20 mm Wood Screws 36pcs</p>

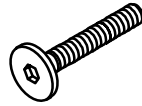
Hardware List (Box 2)

22



Nut 4pcs

23



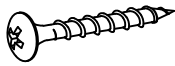
M8 x 40 mm
Hex-Head Bolts 2pcs

24



Wrench Key 13- 1pc

25



M4 x 40 mm
Wood Screws 14pcs

26



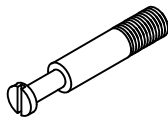
Lock 1set

27



M3.5 x 15 mm
Wood Screws 4pcs

28



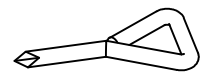
M6 x 41 mm
12pcs

29



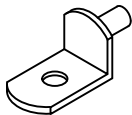
Ø15 x 11 mm
12pcs

30



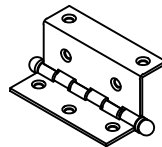
76x36x6mm
1pc

31



4pcs

32



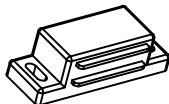
Hinges 4pcs

33



M3 x 15 mm
Wood Screws 20pcs

34



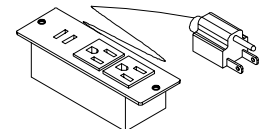
4pcs

35

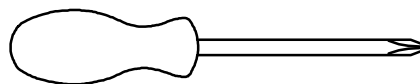


M4 x 20 mm
Wood Screws 10pcs

36

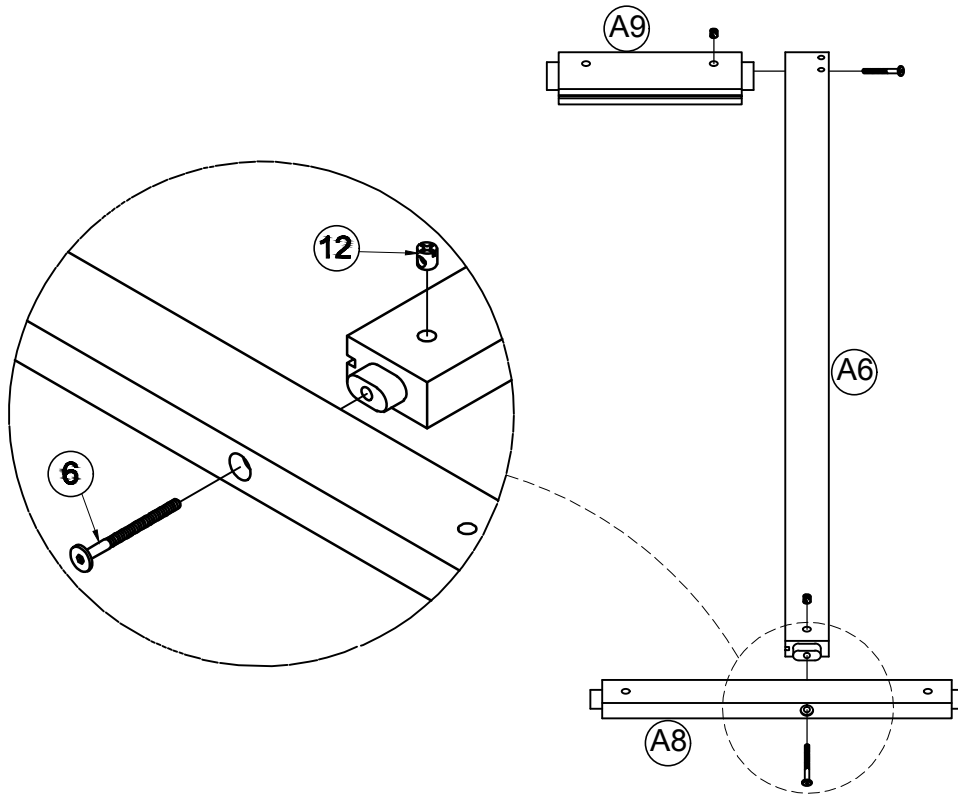


Power outlet 1pc

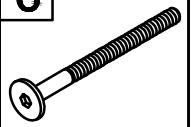


Assembly Tools Required (Not Included)

STEP1: Follow below illustration.



6



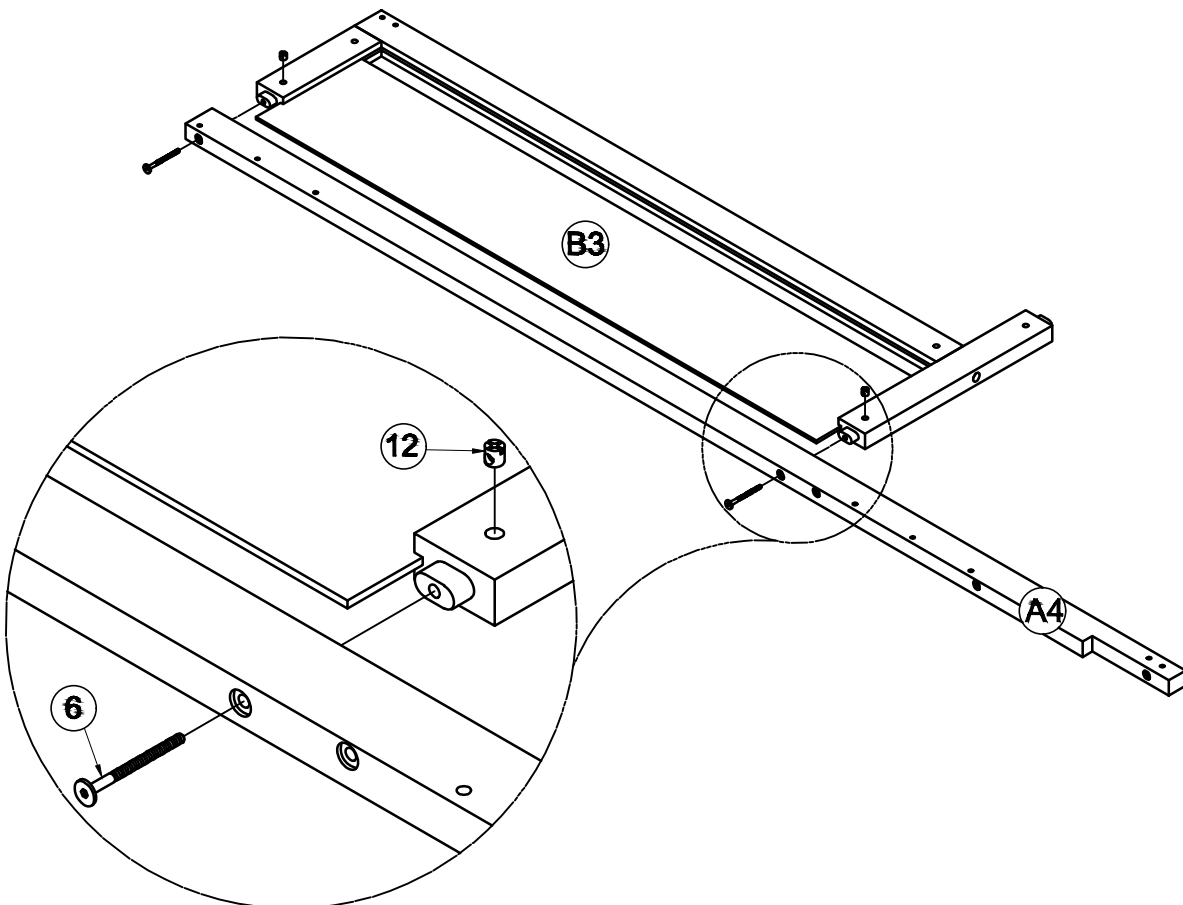
2(pcs)

12

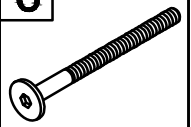


2(pcs)

STEP2: Follow below illustration.



6



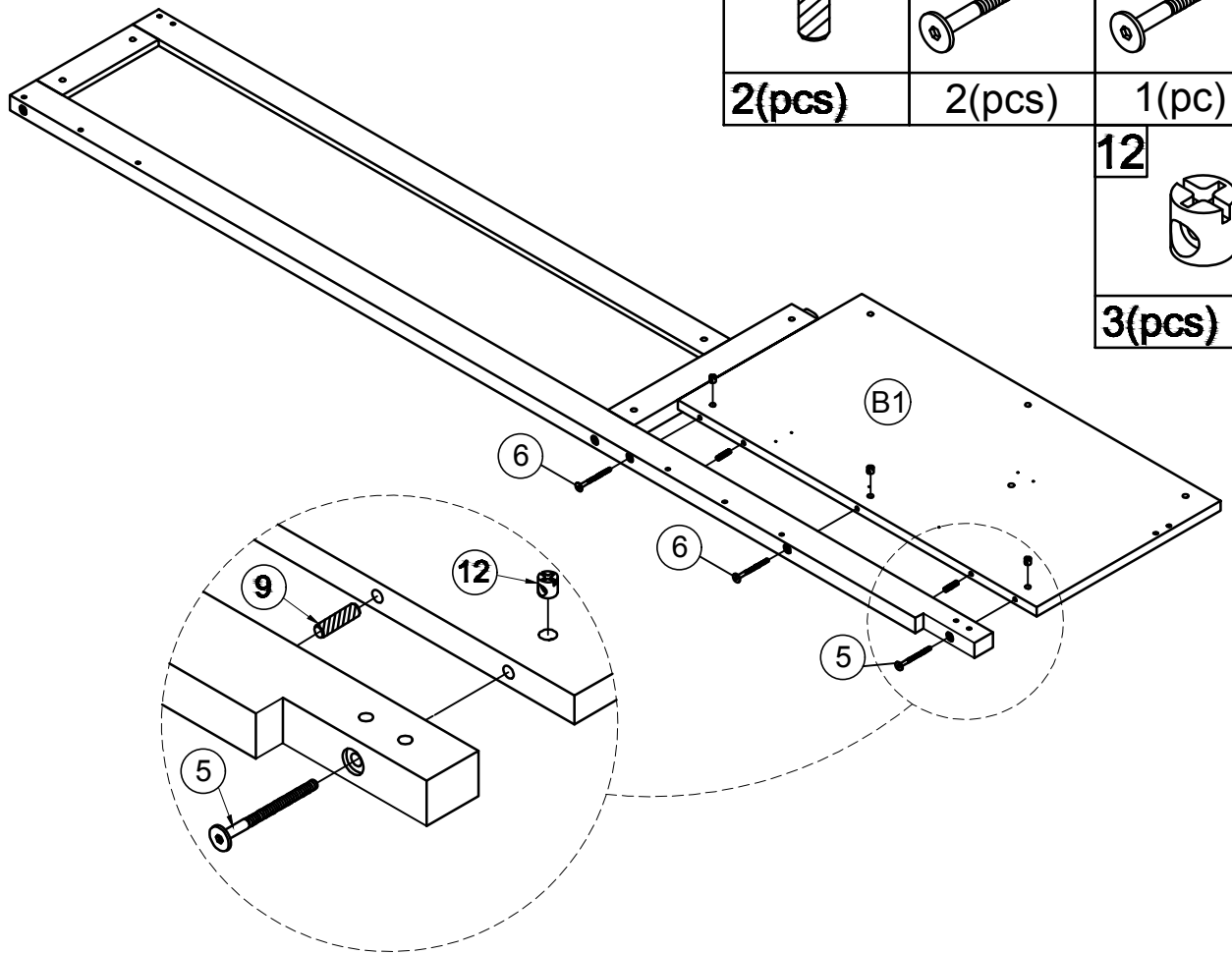
2(pcs)

12



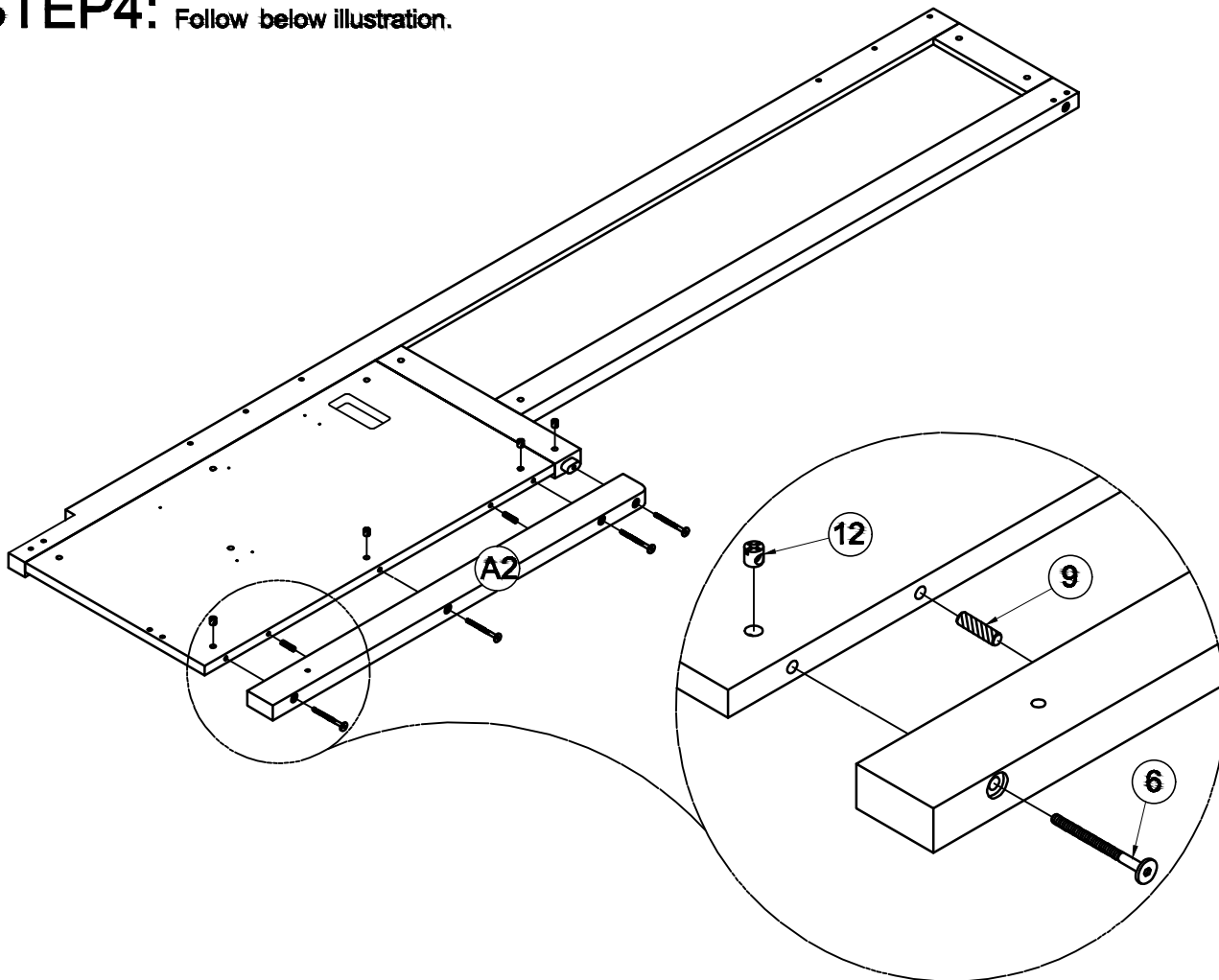
2(pcs)

STEP3: Follow below illustration.



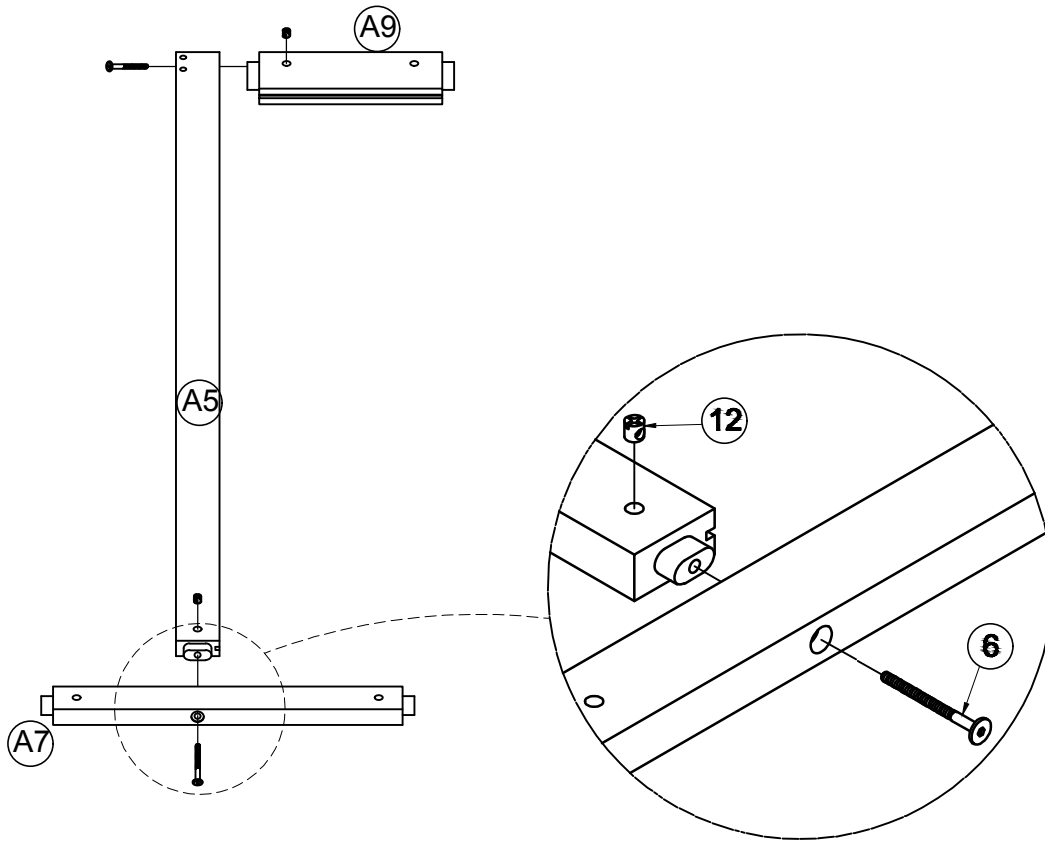
9		6		5	
2(pcs)		2(pcs)		1(pc)	
					12
					3(pcs)

STEP4: Follow below illustration.

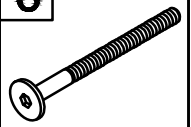


6	
4(pcs)	
12	
4(pcs)	
9	
2(pcs)	

STEP5: Follow below illustration.



6



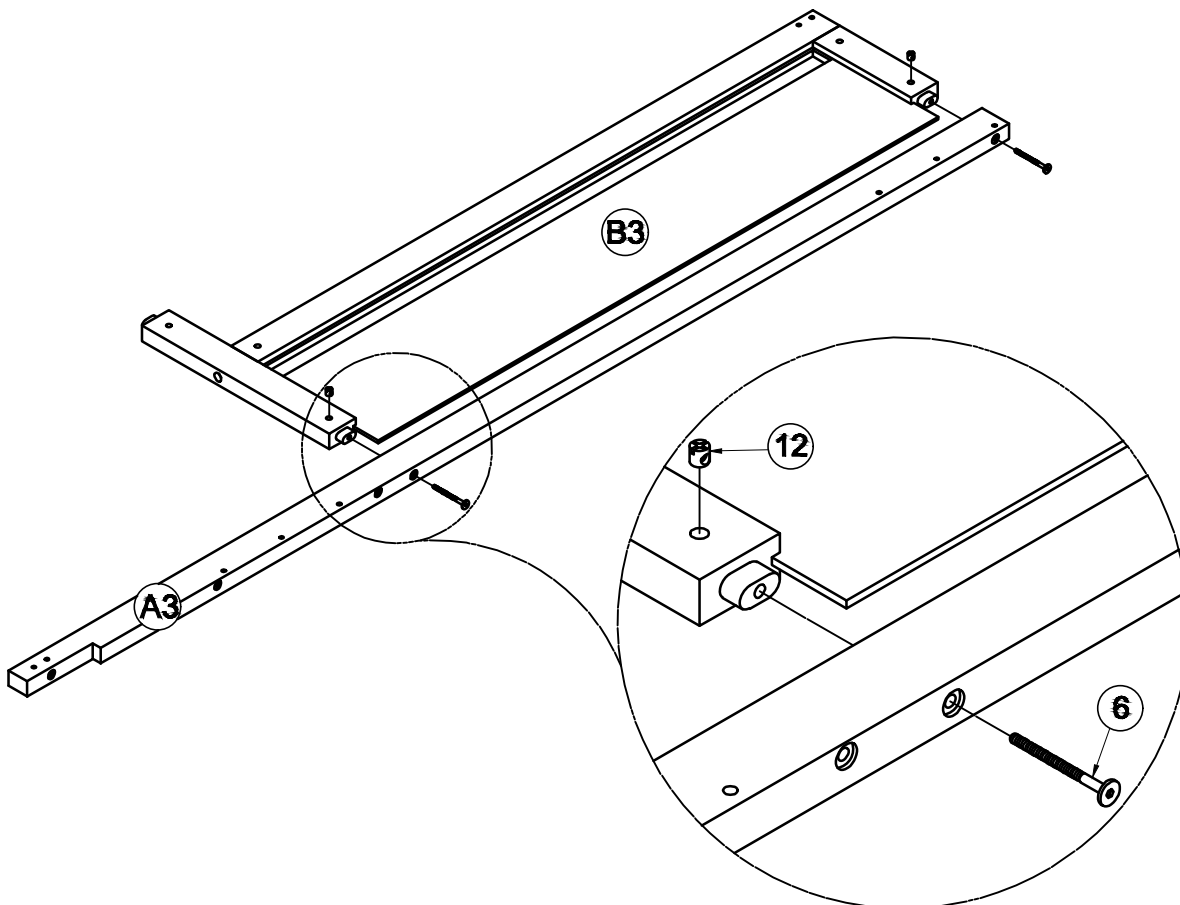
2(pcs)

12

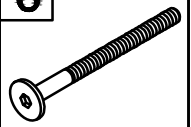


2(pcs)

STEP6: Follow below illustration.



6



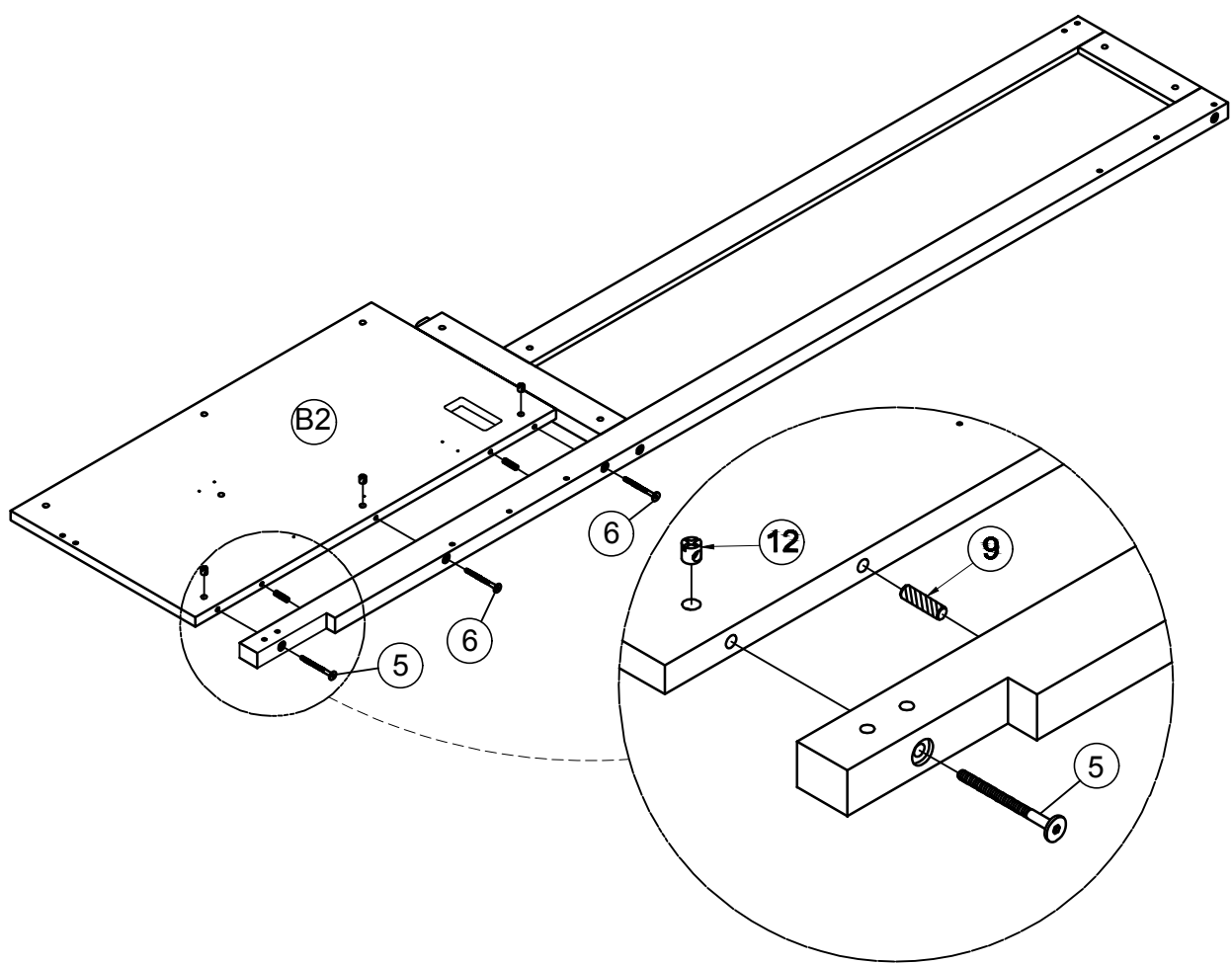
2(pcs)

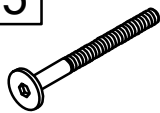
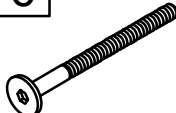

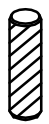
12



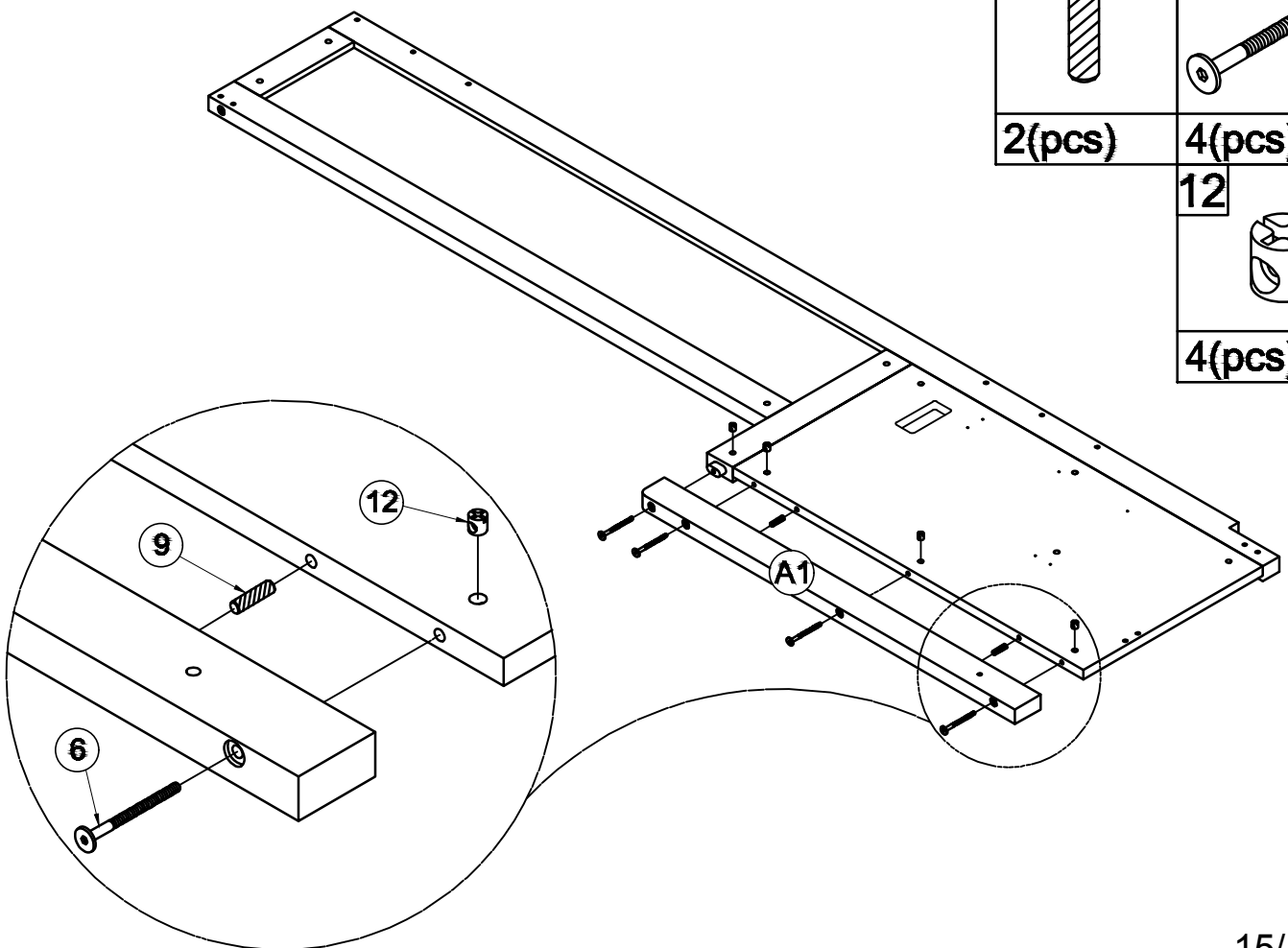
2(pcs)


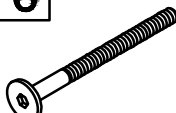

STEP7: Follow below illustration.




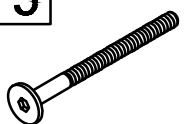

- | | |
|--------|---|
| 5 |  |
| 1(pc) | |
| 6 |  |
| 2(pcs) | |
| 12 |  |
| 3(pcs) | |
| 9 |  |
| 2(pcs) | |

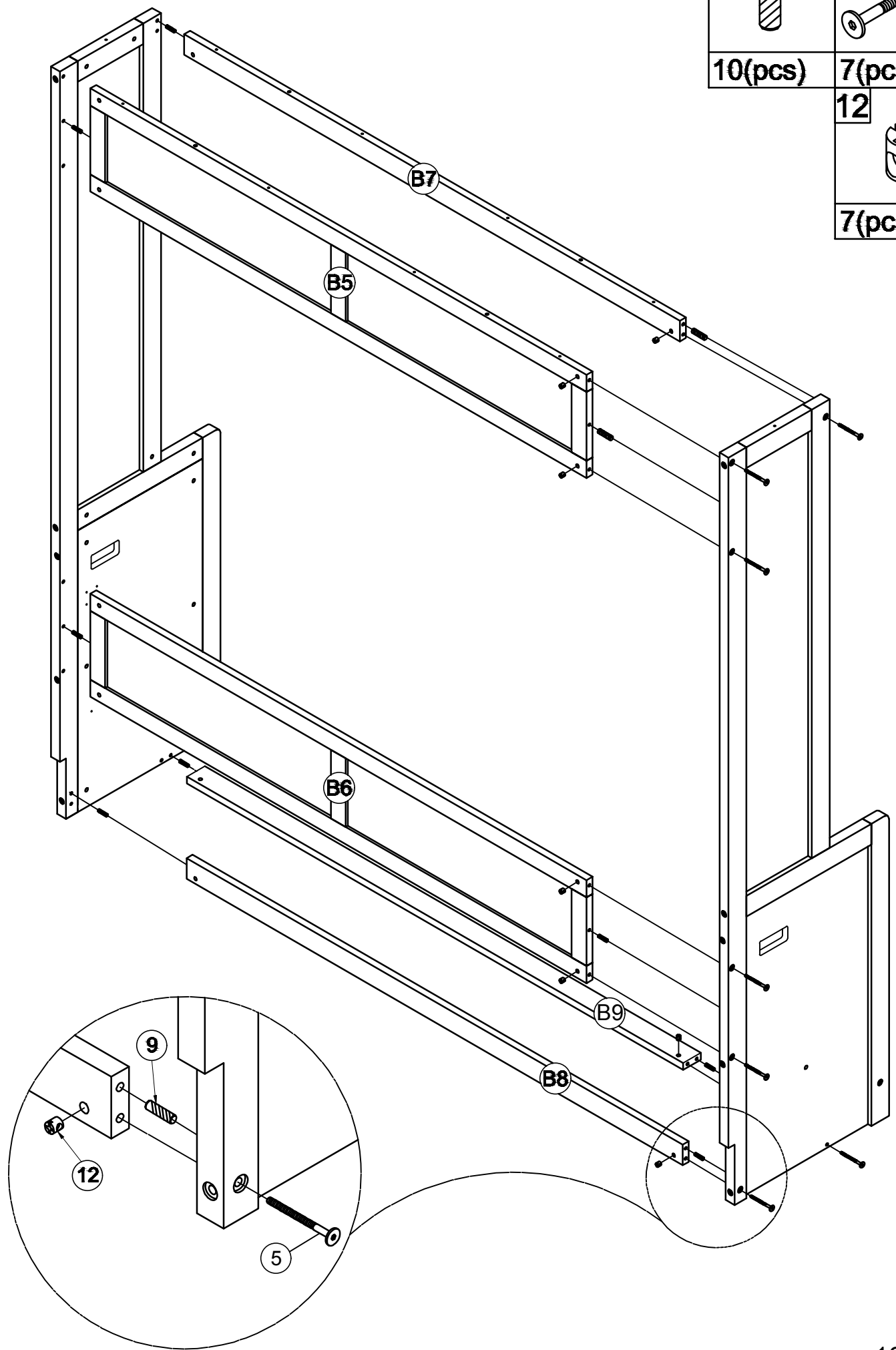
STEP8: Follow below illustration.



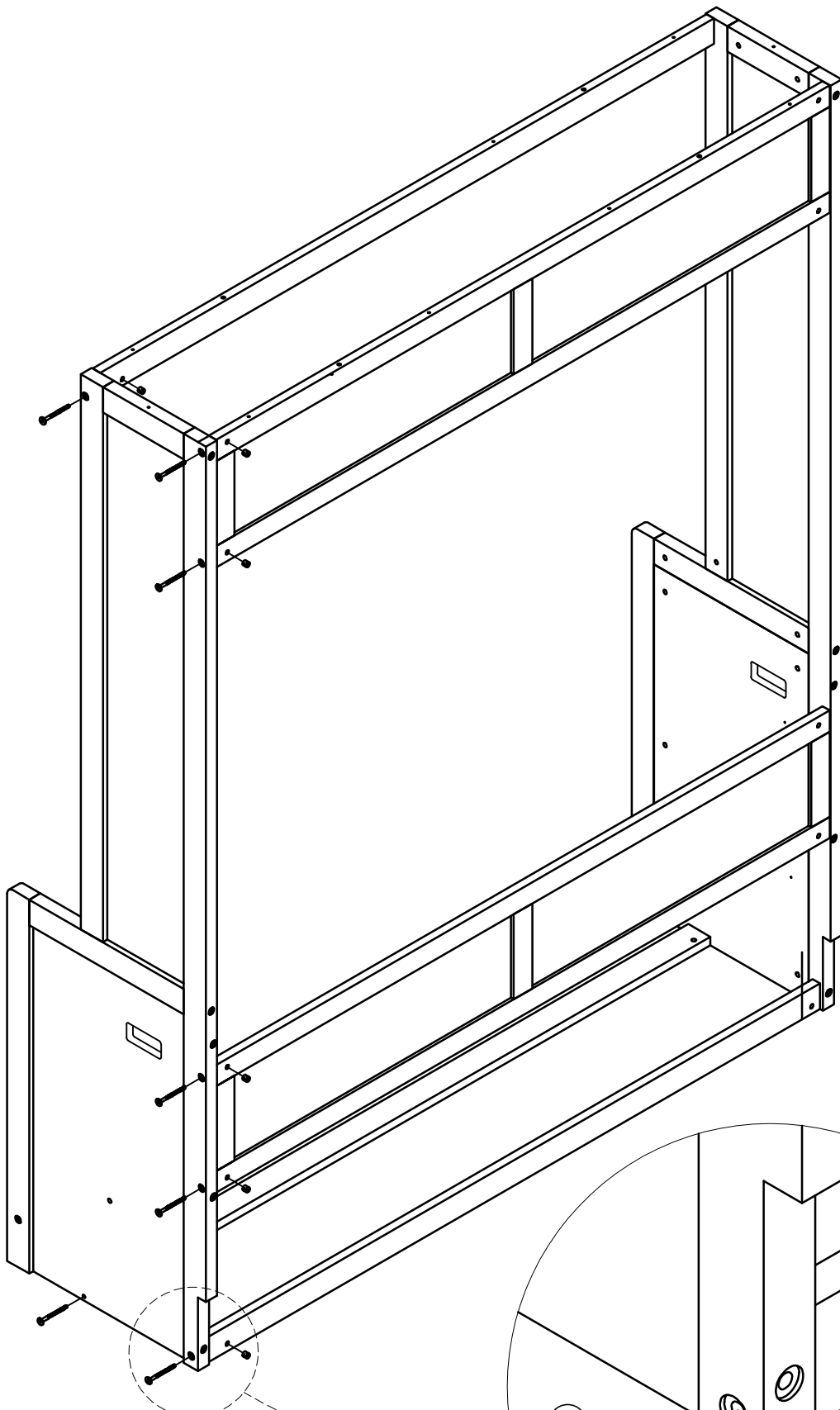
- | | |
|--------|---|
| 9 |  |
| 2(pcs) | |
| 6 |  |
| 4(pcs) | |
| 12 |  |
| 4(pcs) | |

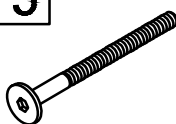

STEP9: Follow below illustration.

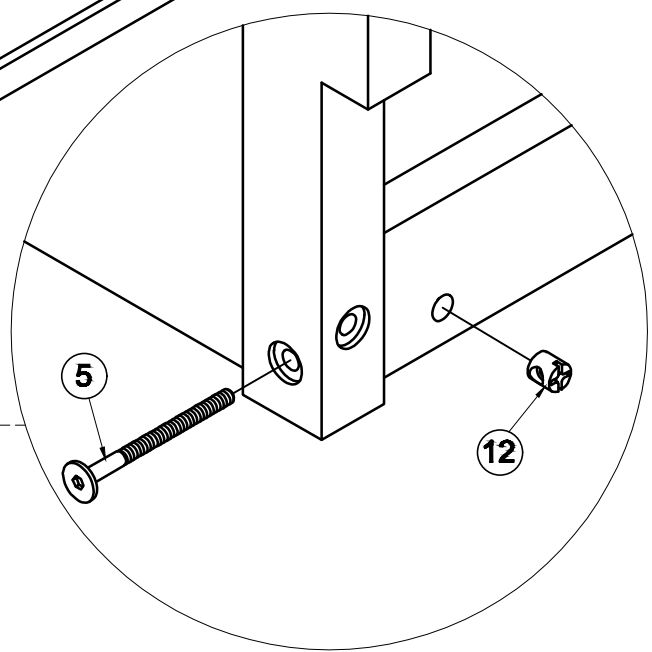
9		5	
10(pcs)		7(pcs)	
		12	
		7(pcs)	



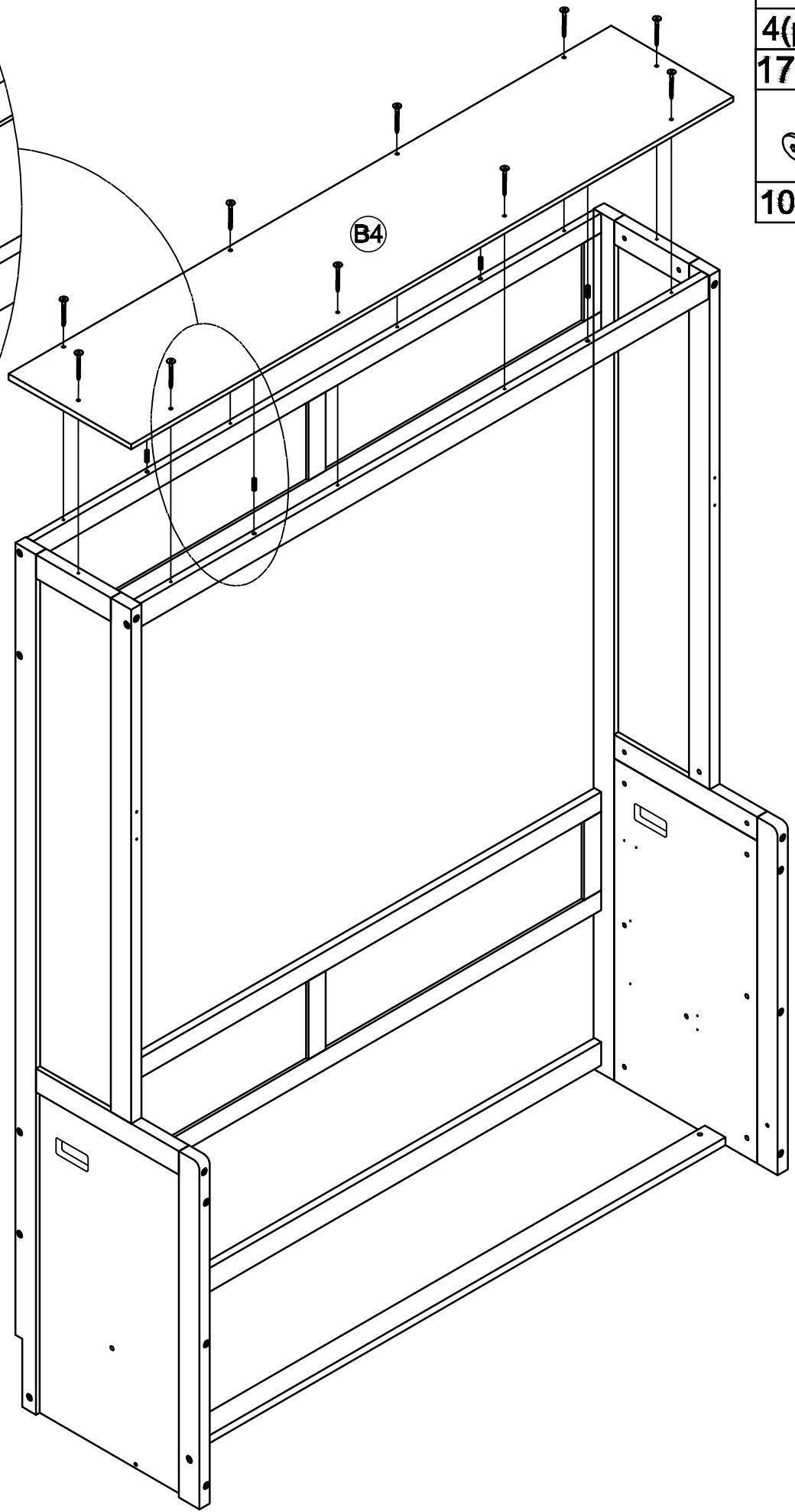
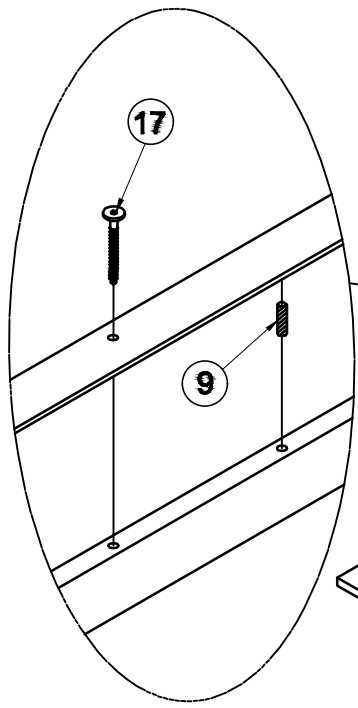
STEP10: Follow below illustration.

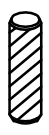



- | |
|---|
| 5 |
|  |
| 7(pcs) |
| 12 |
|  |
| 7(pcs) |





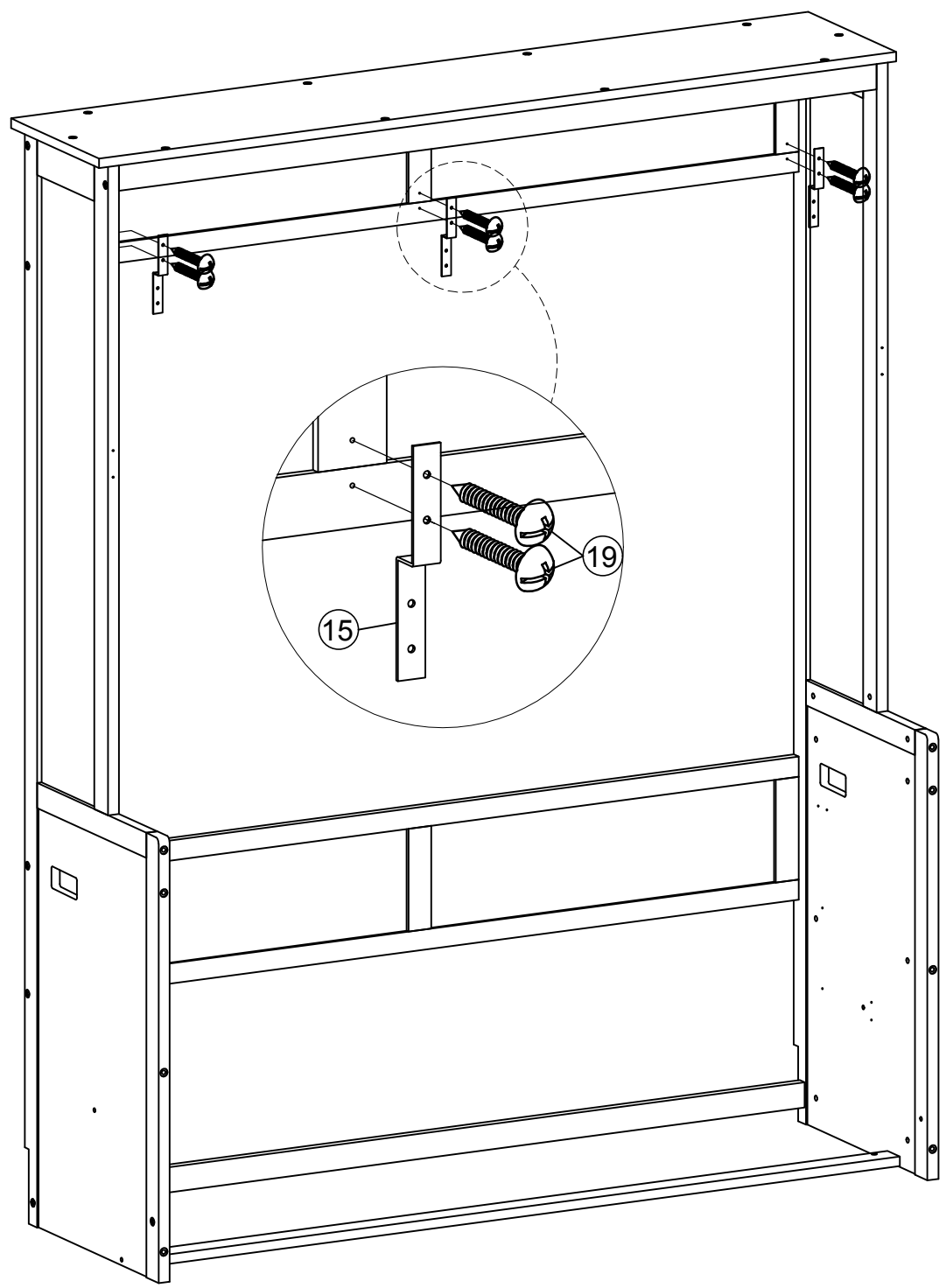
STEP11: Follow below illustration.



9	
4(pcs)	
17	
10(pcs)	

STEP12: Follow below illustration.

- 15 
- 3(pcs)
- 19 
- 6(pcs)

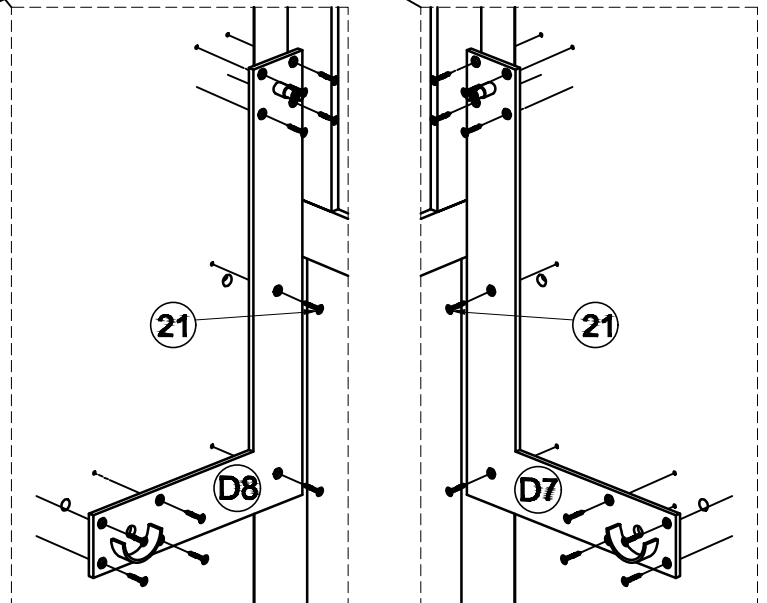
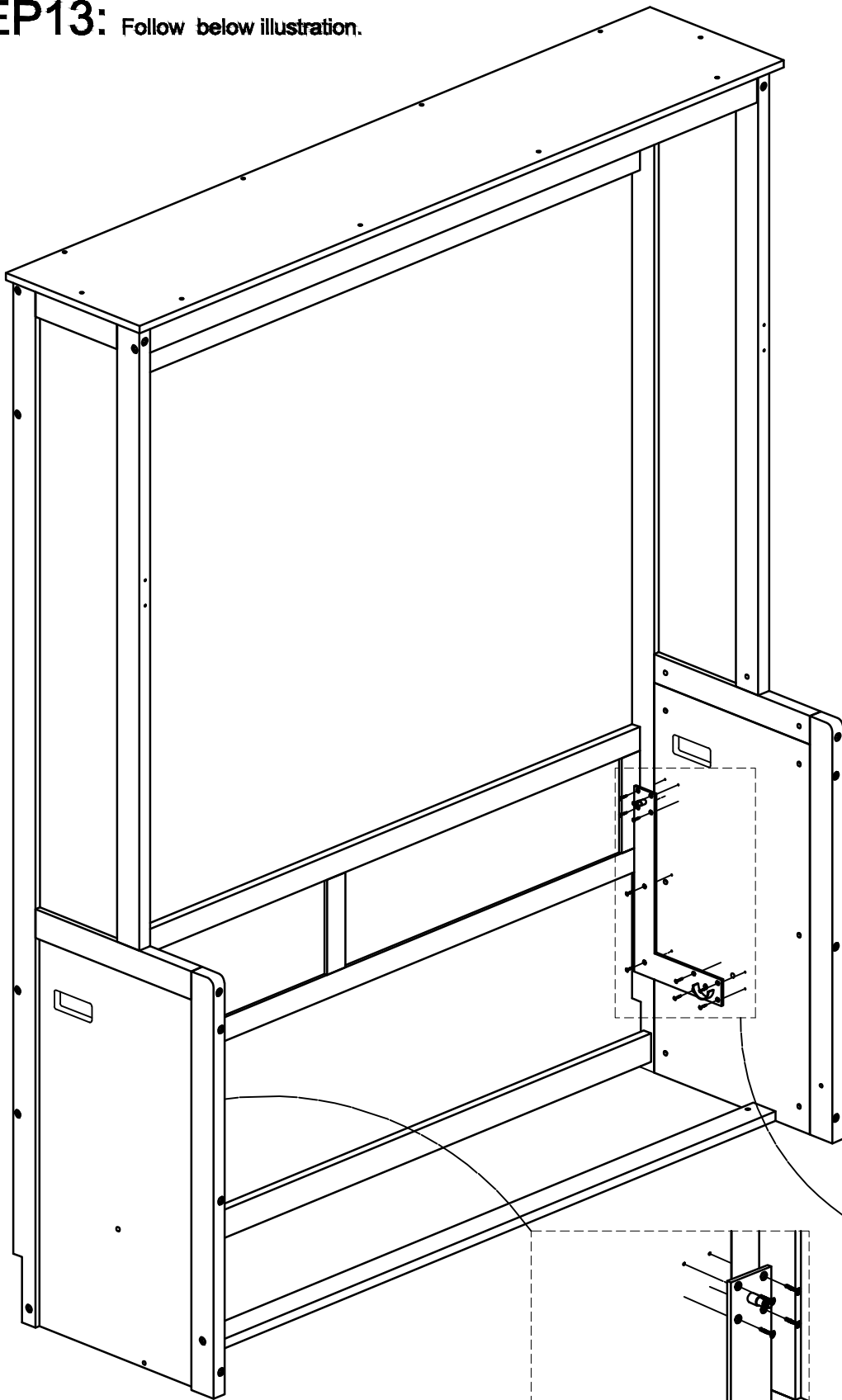


STEP13: Follow below illustration.

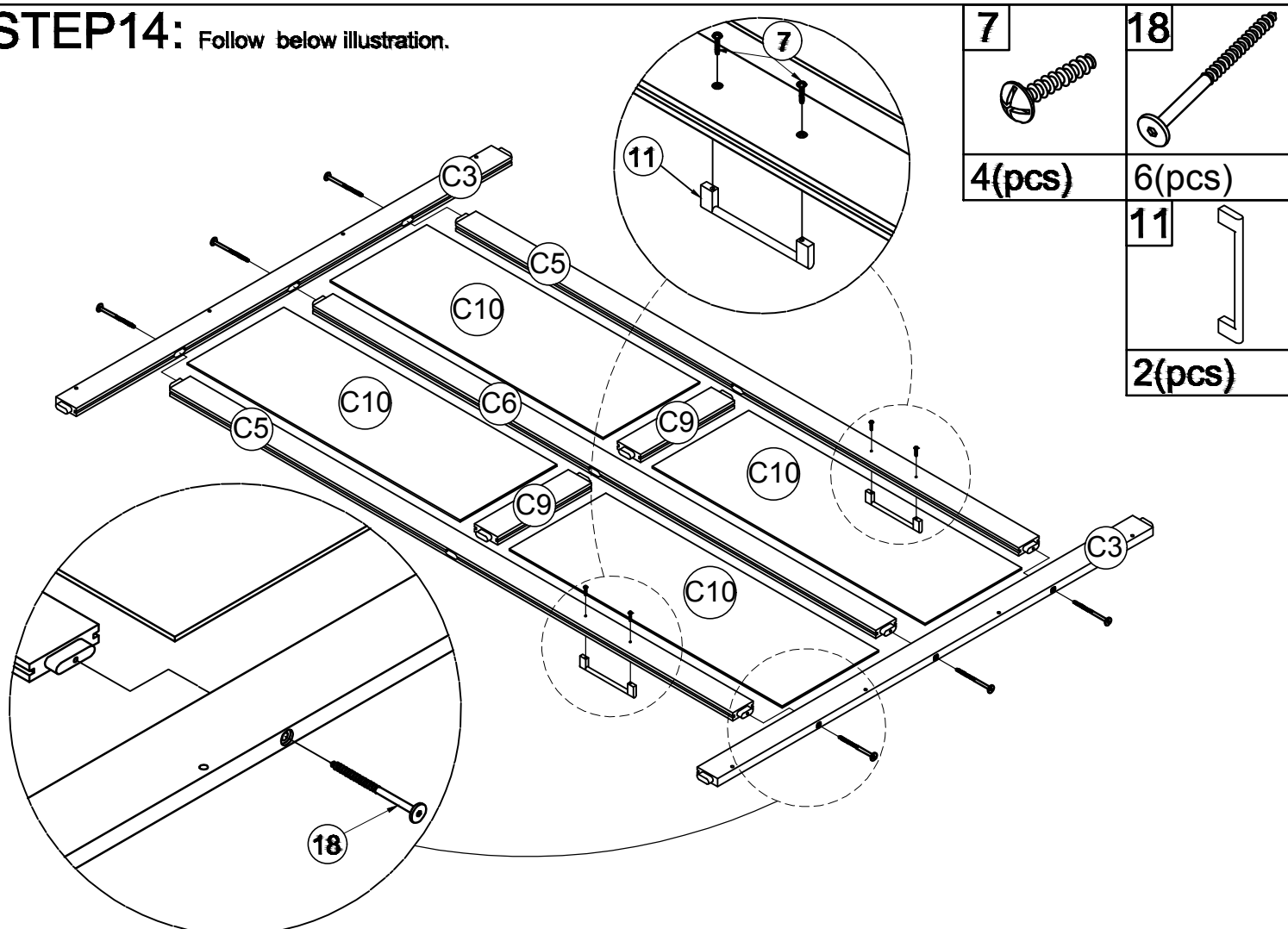
21



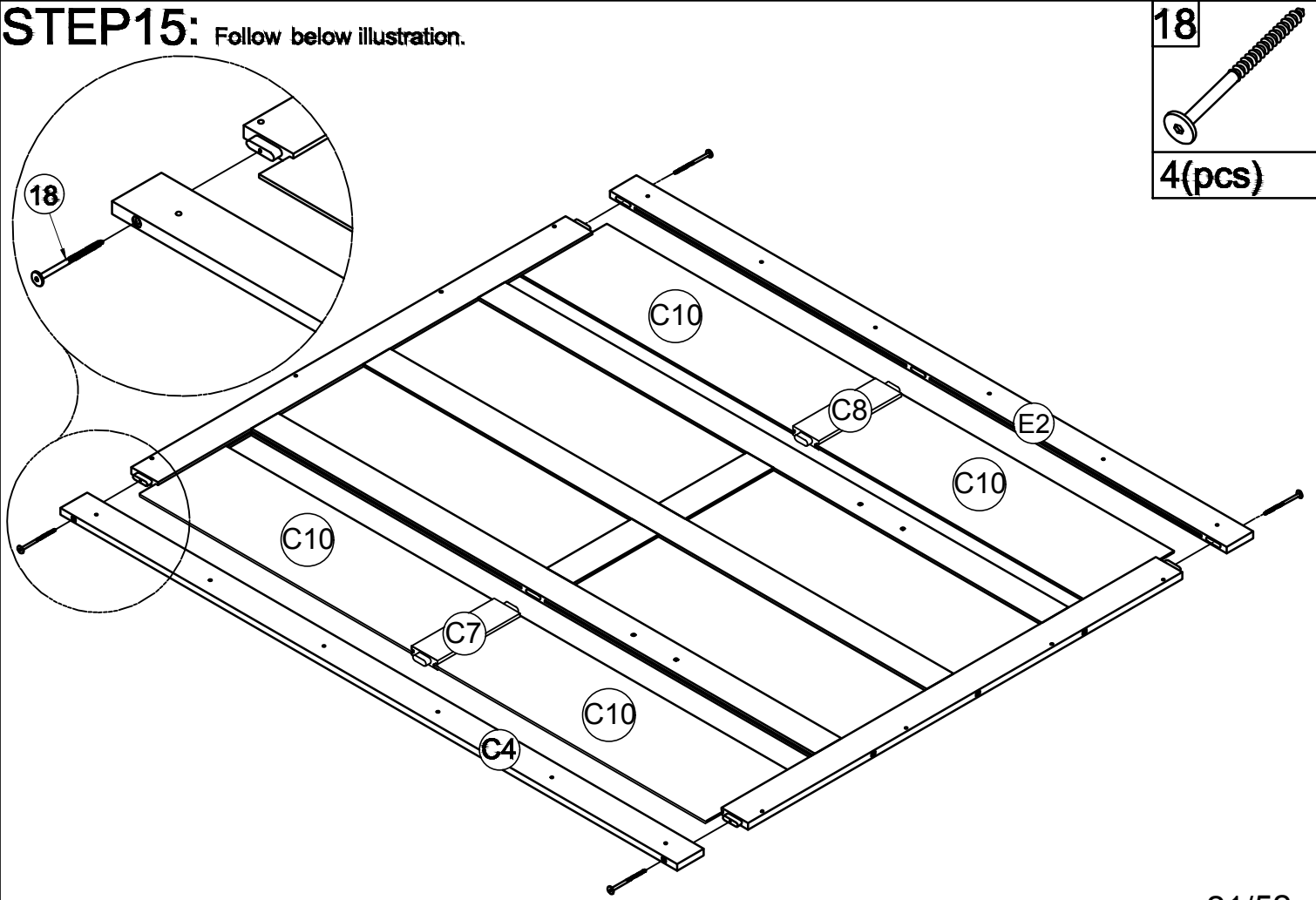
20(pcs)



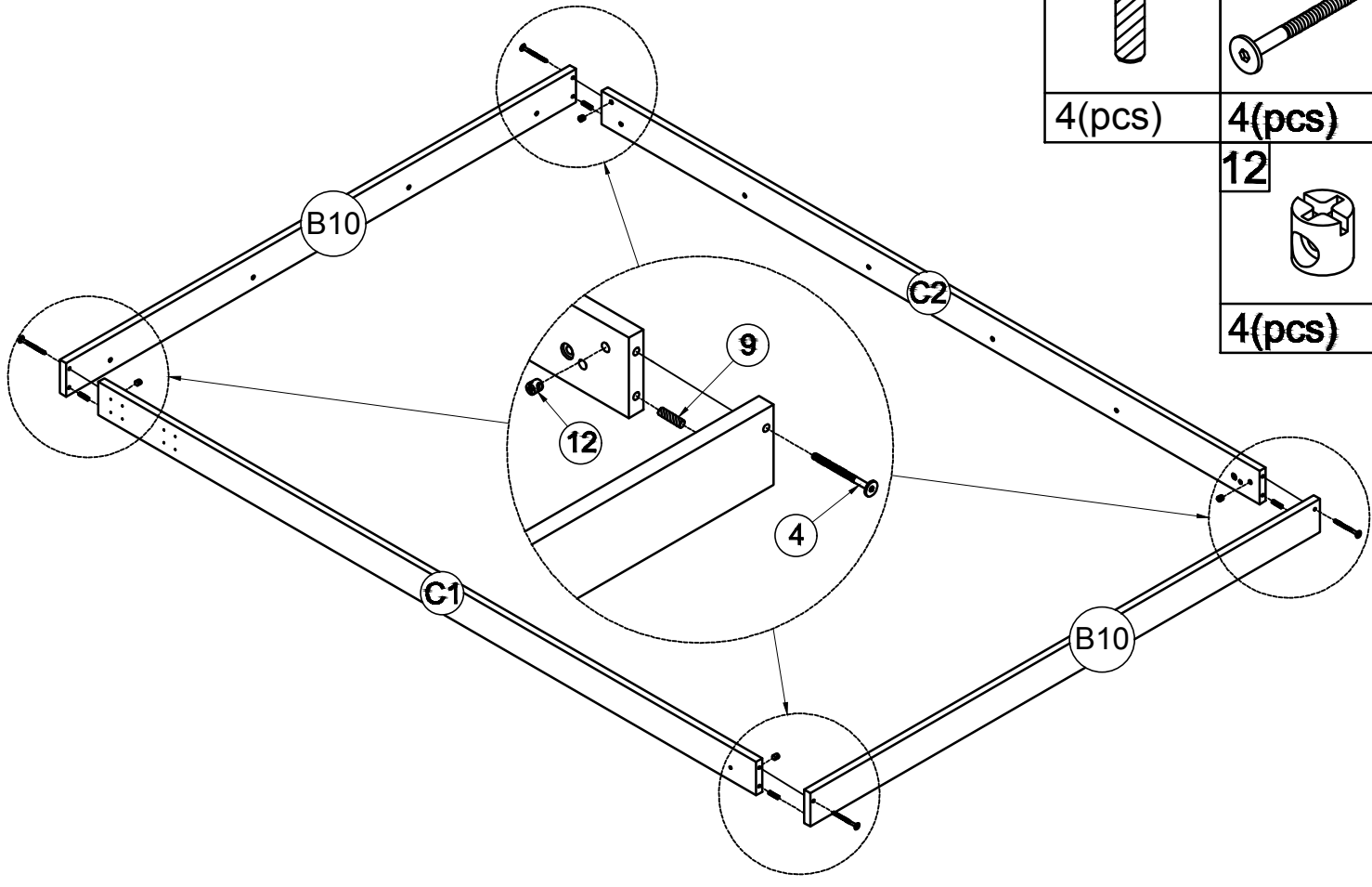
STEP14: Follow below illustration.


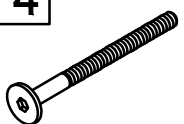



STEP15: Follow below illustration.

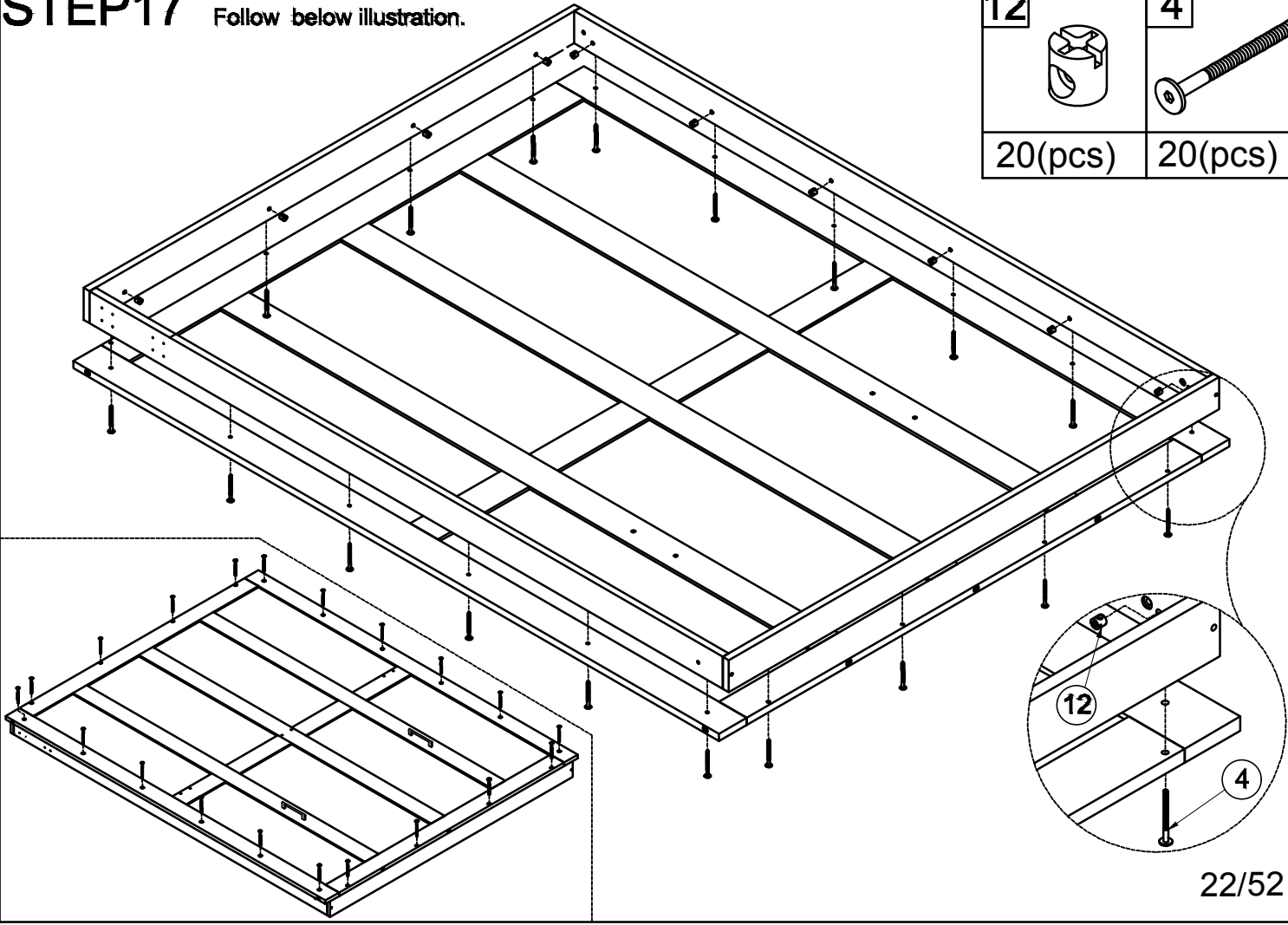



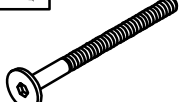
STEP16: Follow below illustration.



9		4	
4(pcs)		4(pcs)	
		12	
		4(pcs)	

STEP17 Follow below illustration.



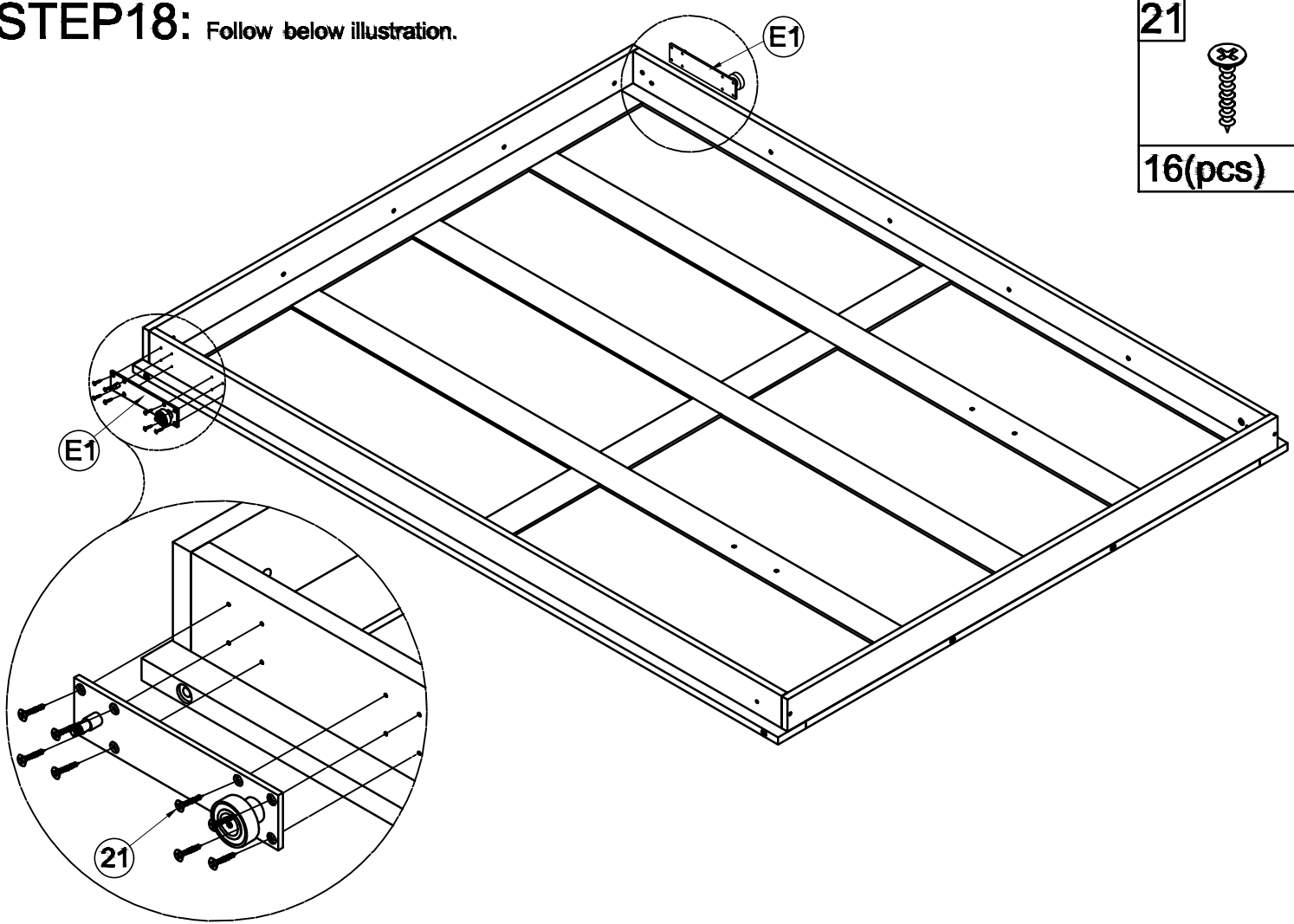
12		4	
20(pcs)		20(pcs)	

STEP18: Follow below illustration.

21



16(pcs)

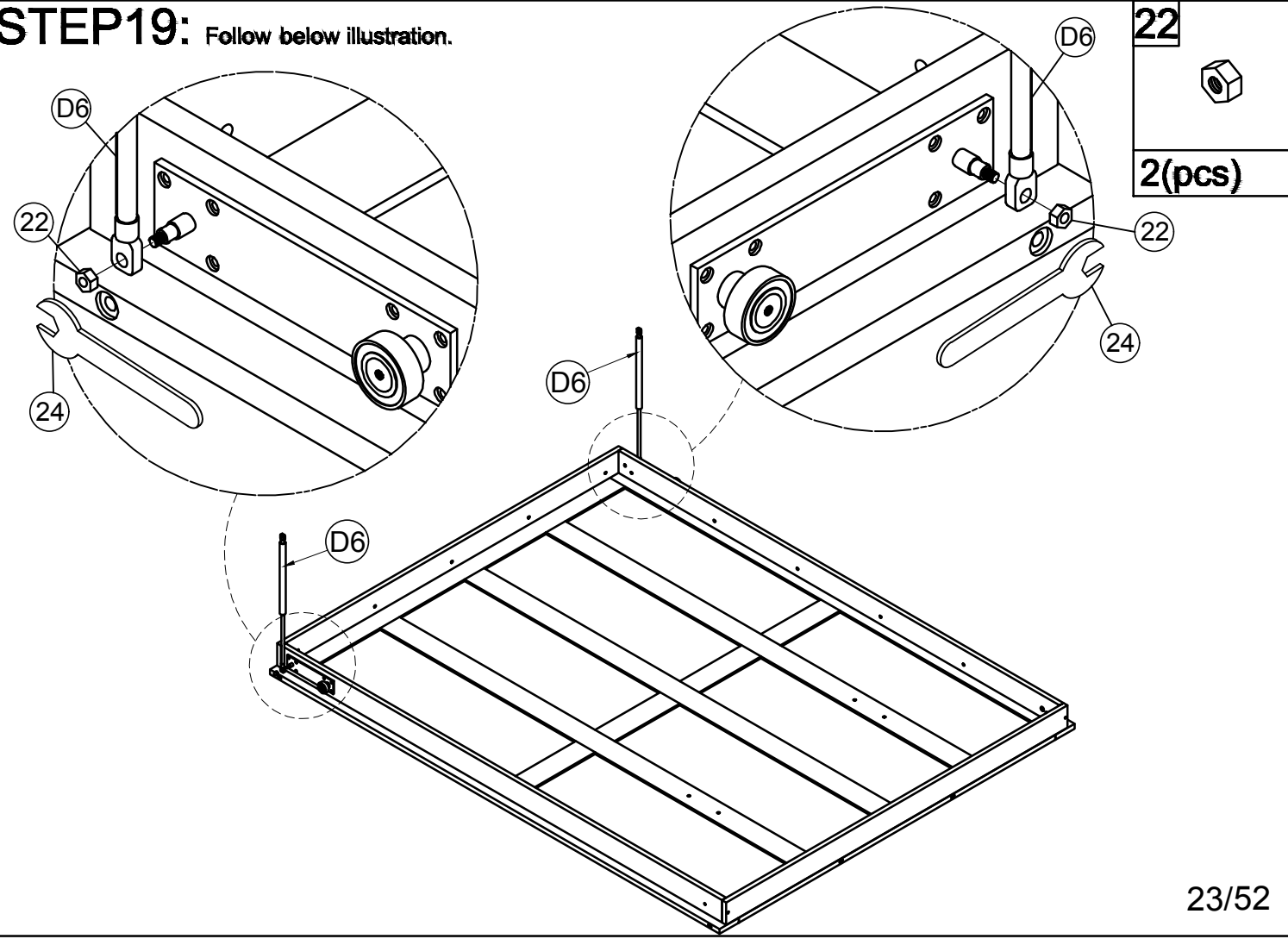


STEP19: Follow below illustration.

22

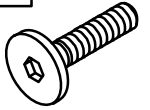


2(pcs)



STEP20: Follow below illustration.

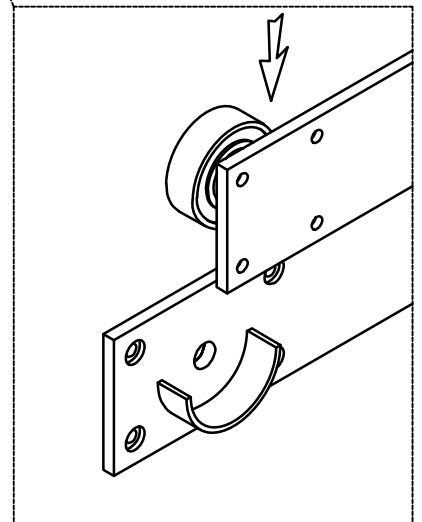
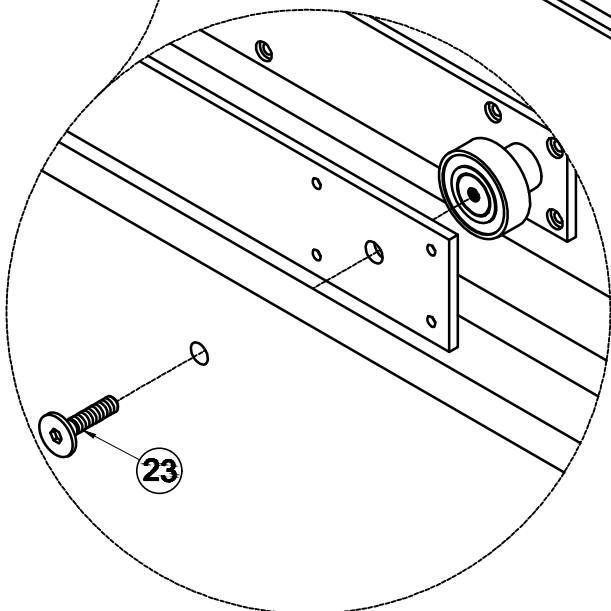
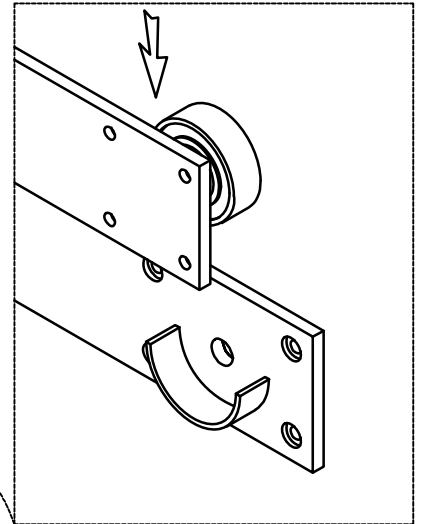
23



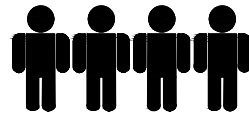
2(pcs)



Safety Suggestion: Four individuals be actively engaged in the entire assembly process to maintain stability, to prevent unexpected tilting over, which could lead to serious injuries .



STEP21: Follow below illustration.

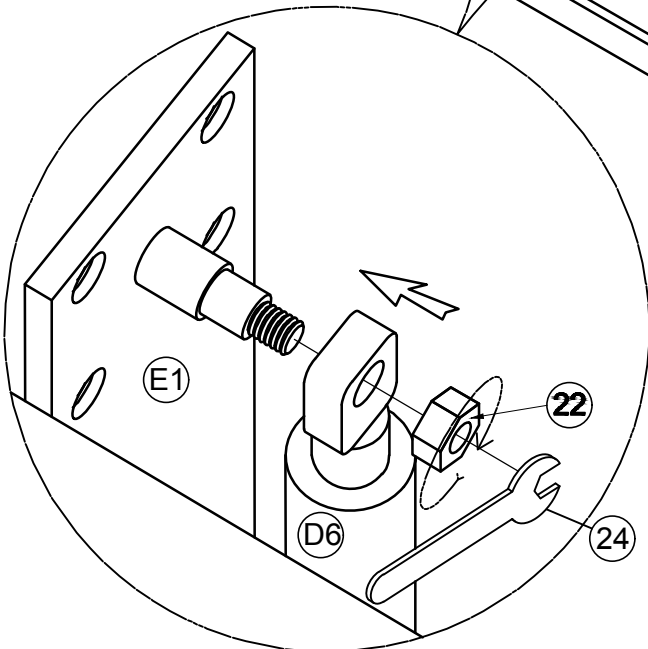
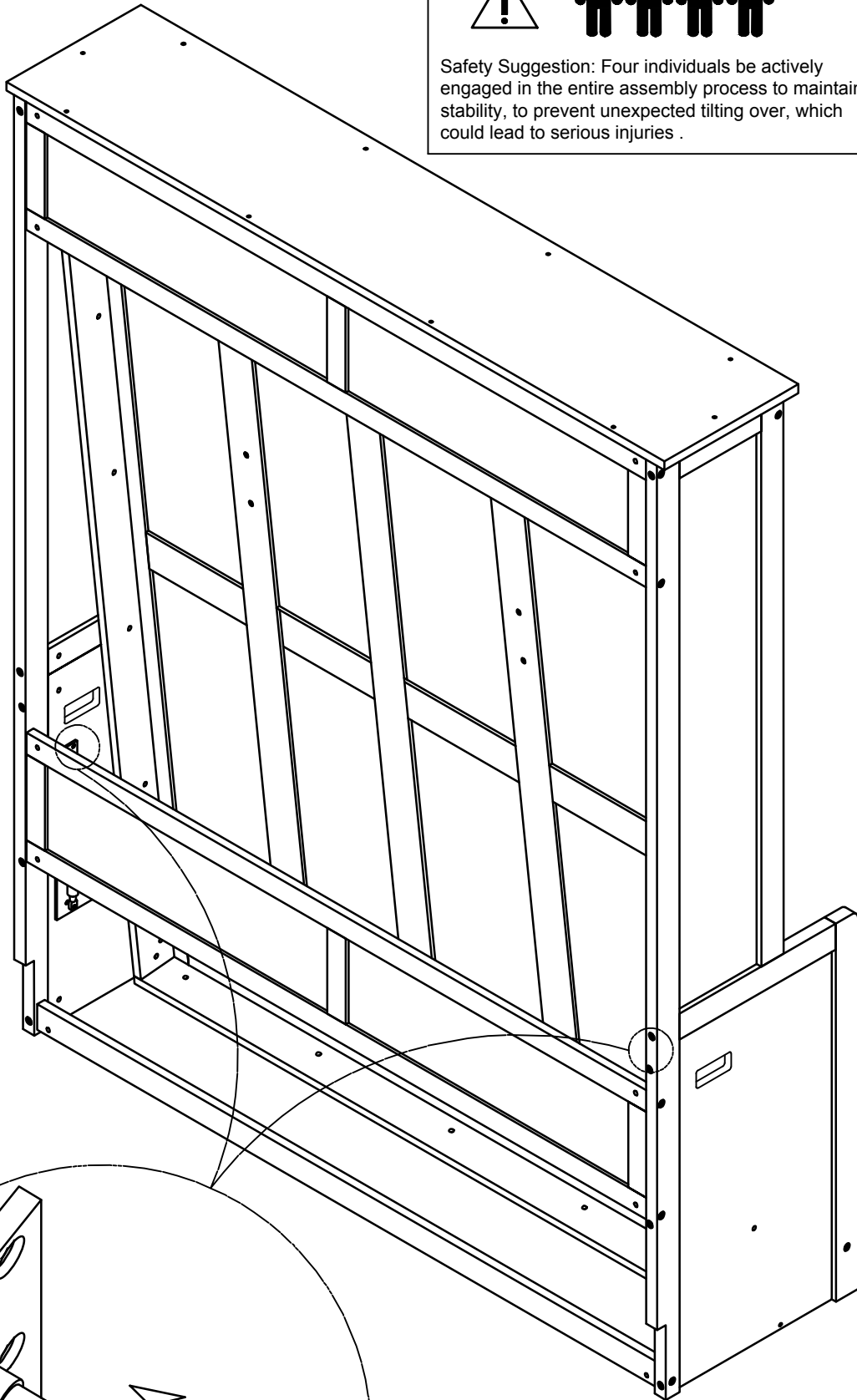


Safety Suggestion: Four individuals be actively engaged in the entire assembly process to maintain stability, to prevent unexpected tilting over, which could lead to serious injuries .

22





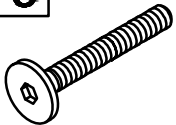
2(pcs)

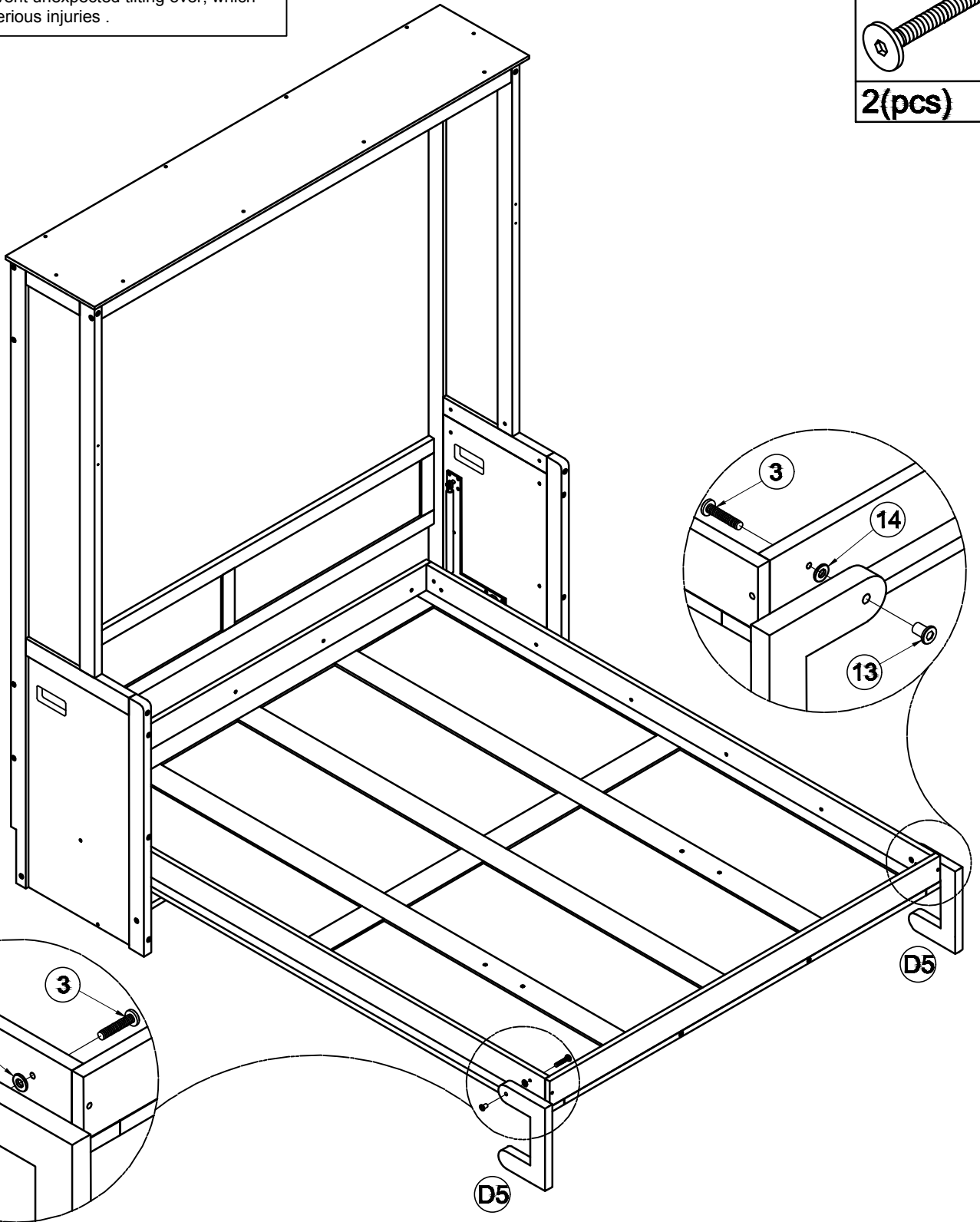


STEP22: Follow below illustration.

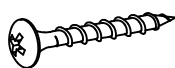



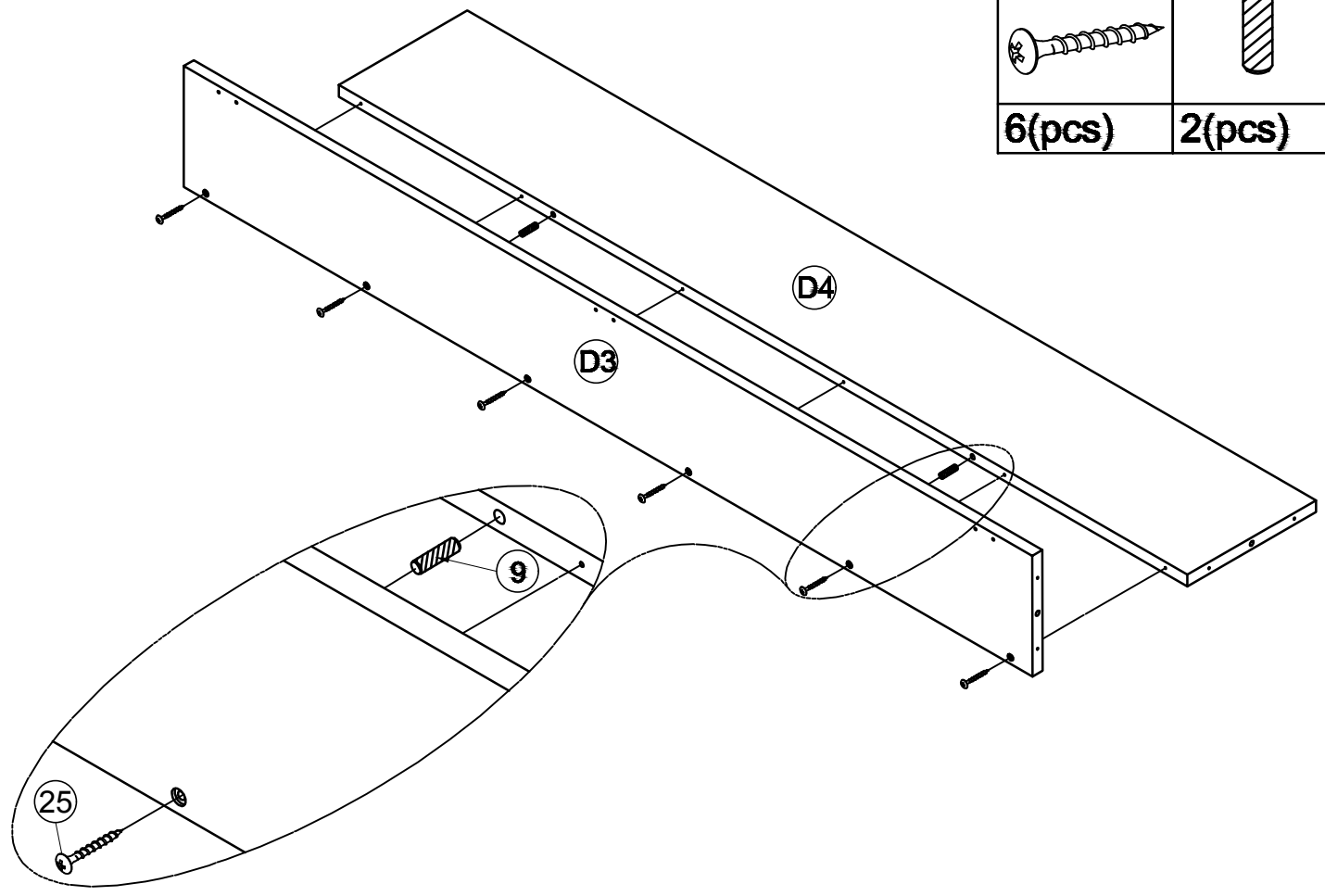
Safety Suggestion: Four individuals be actively engaged in the entire assembly process to maintain stability, to prevent unexpected tilting over, which could lead to serious injuries .

14		13	
2(pcs)		2(pcs)	
		3	
		2(pcs)	

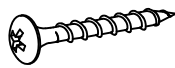



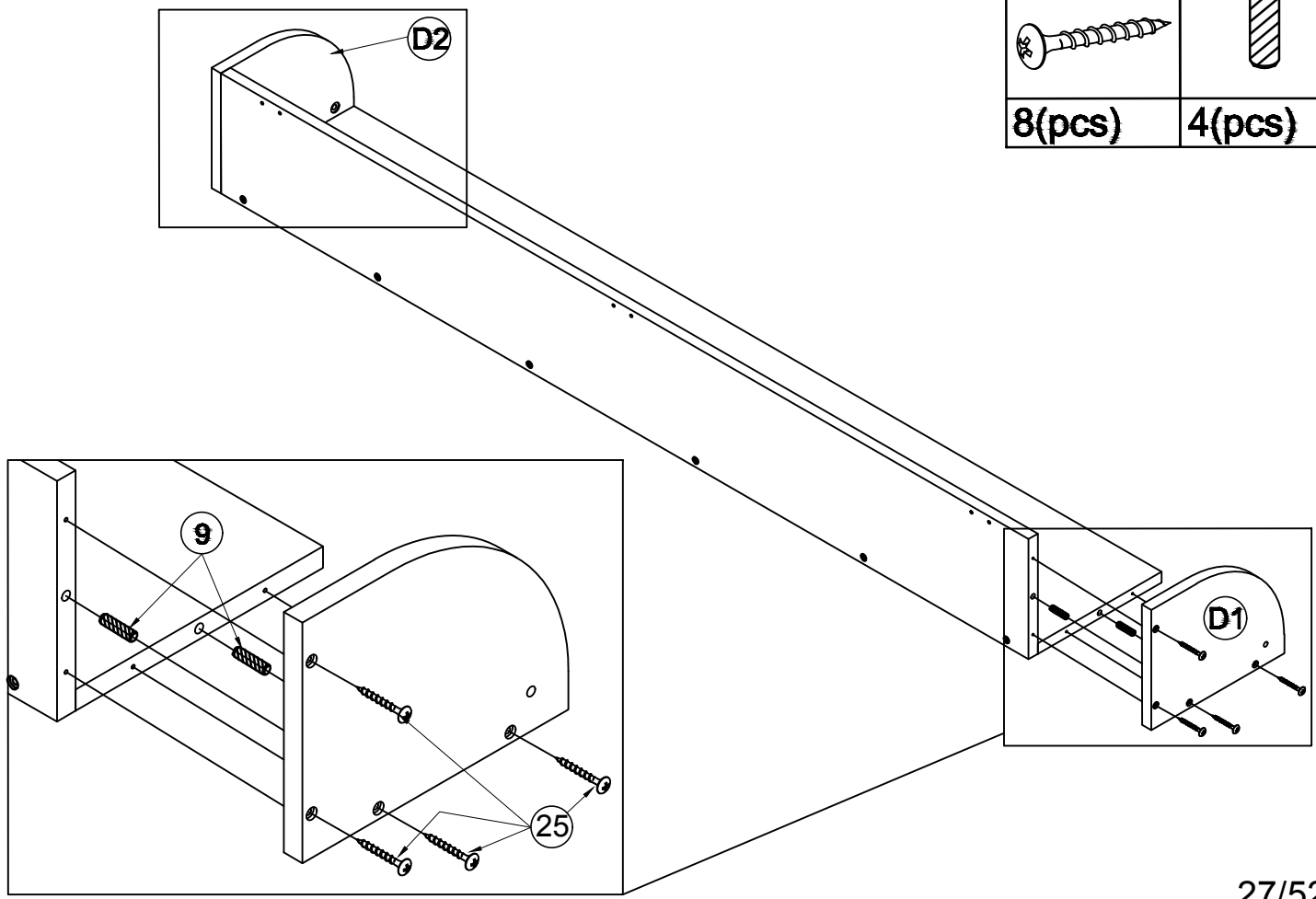
STEP23: Follow below illustration.

25	9
	
6(pcs)	2(pcs)


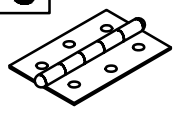


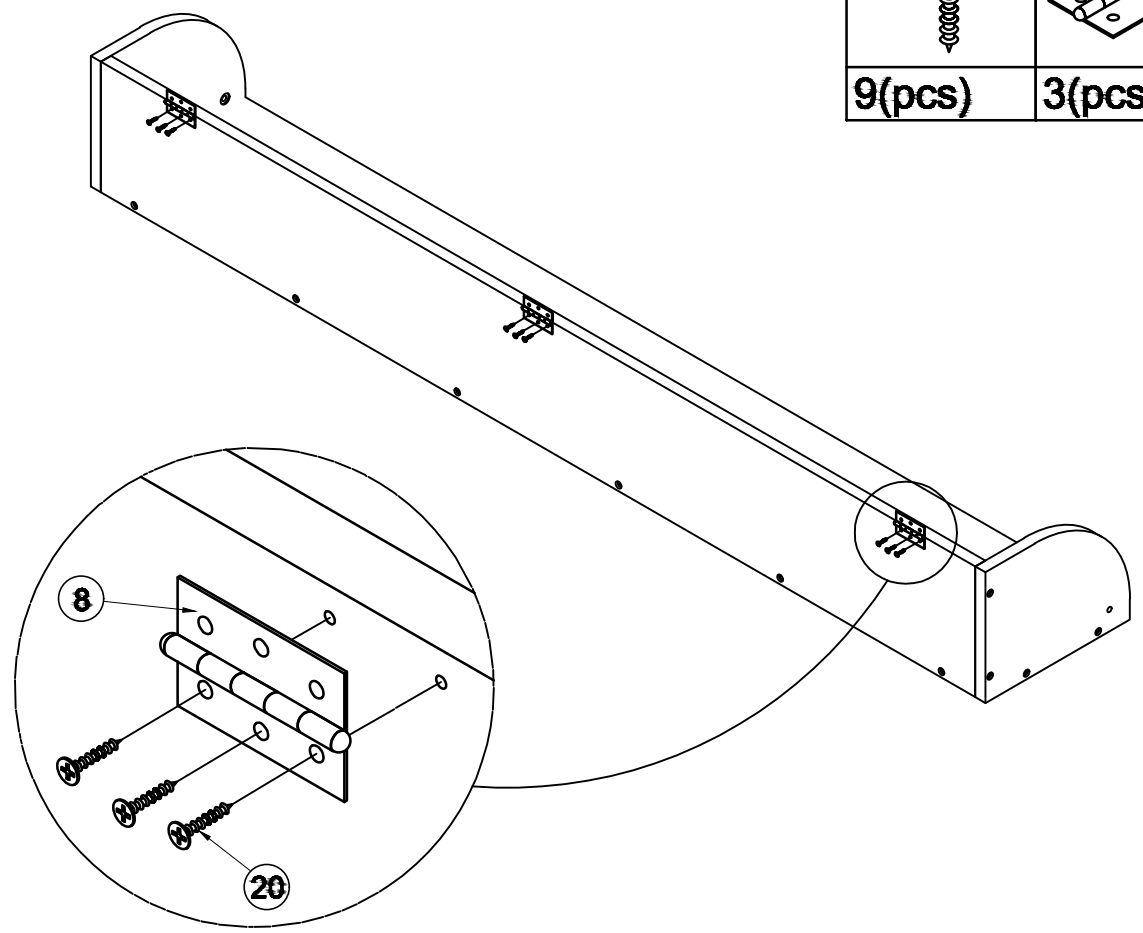
STEP24: Follow below illustration.

25	9
	
8(pcs)	4(pcs)




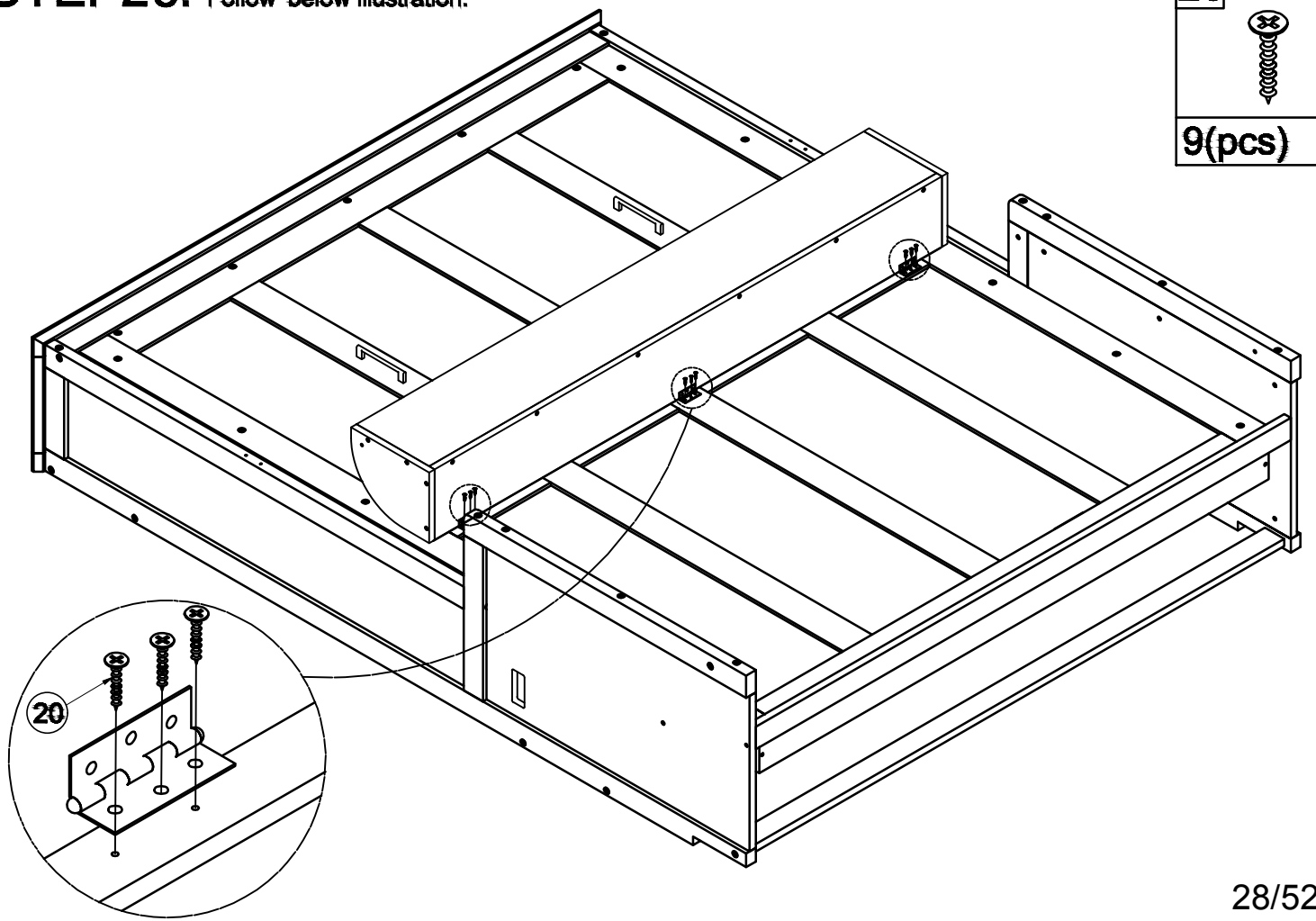
STEP25: Follow below illustration.

20	8
	
9(pcs)	3(pcs)

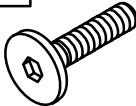

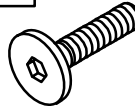



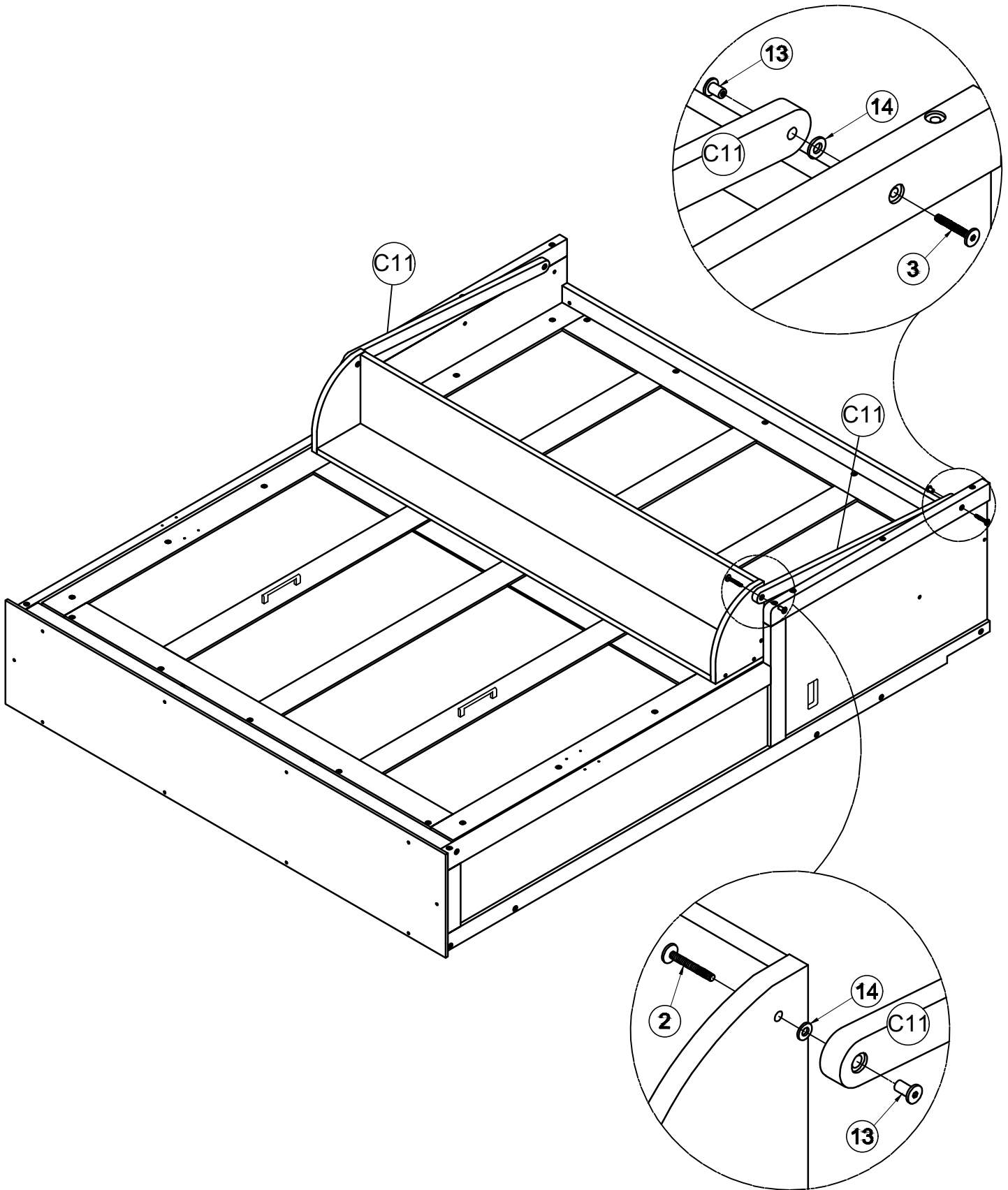
STEP26: Follow below illustration.

20

9(pcs)

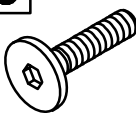

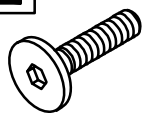



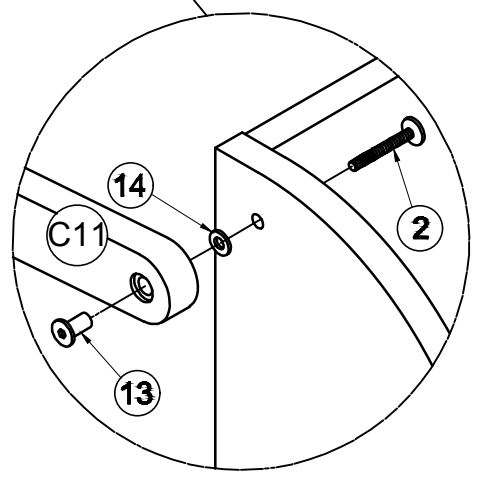
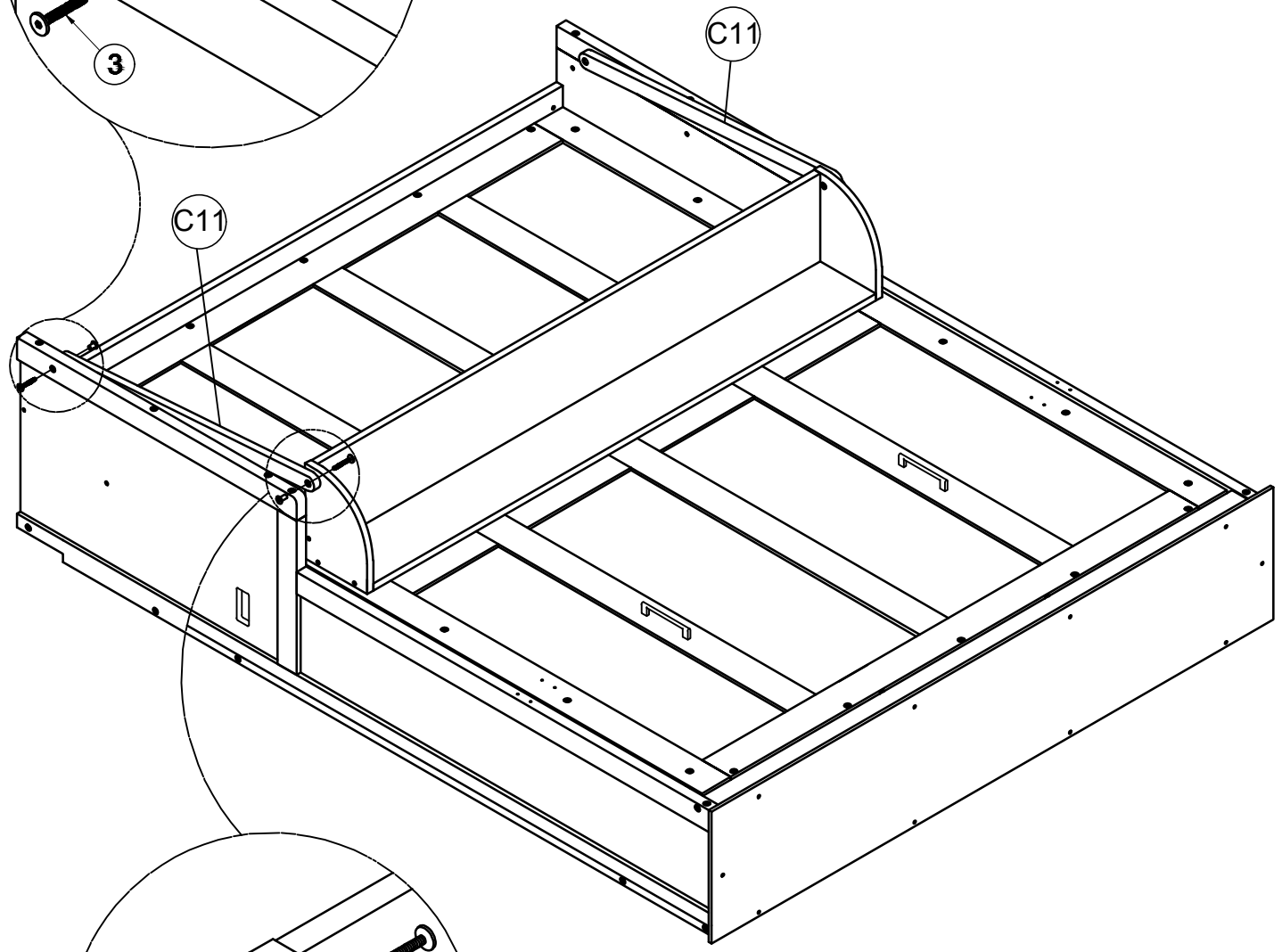
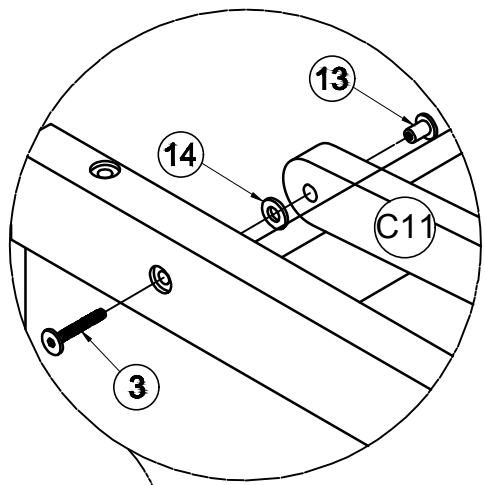
STEP27: Follow below illustration.

3 	14 	2 	13 
1(pc)	2(pcs)	1(pc)	2(pcs)



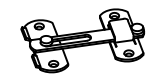

STEP28: Follow below illustration.

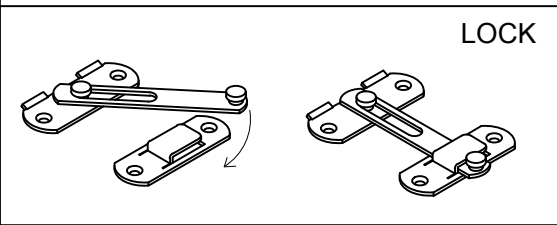
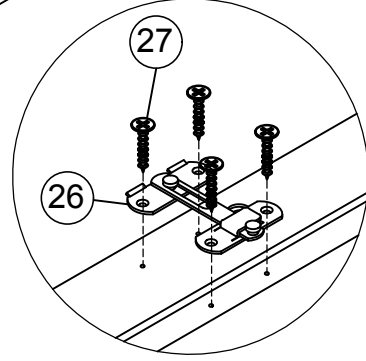
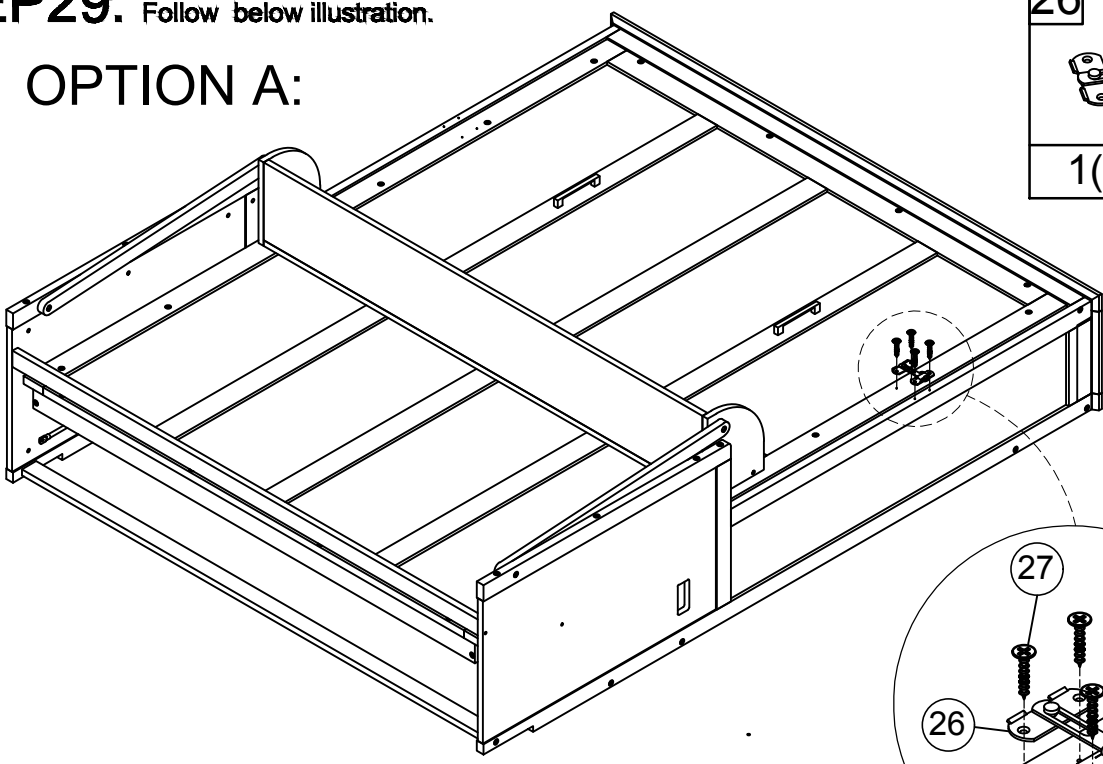
3	14	2	13
			
1(pc)	2(pcs)	1(pc)	2(pcs)



STEP29: Follow below illustration.

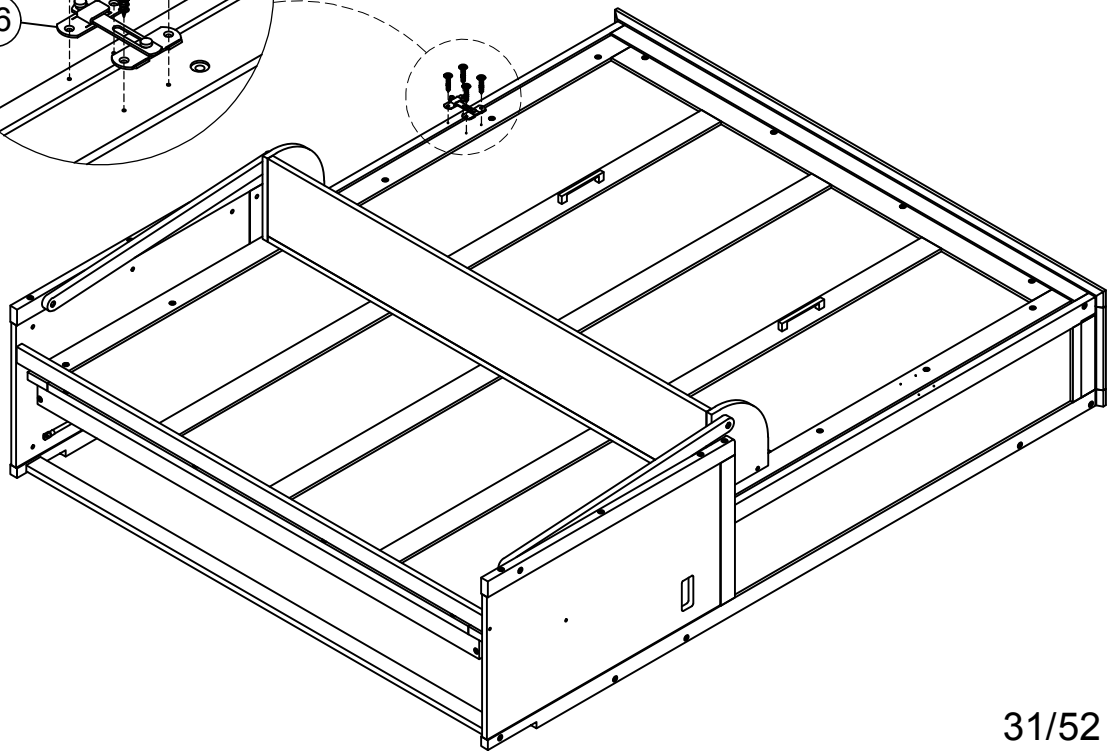
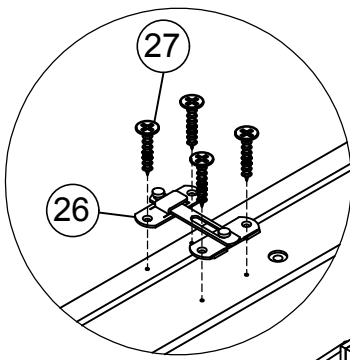
OPTION A:

26	27
	
1(set)	4(pcs)


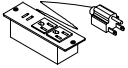


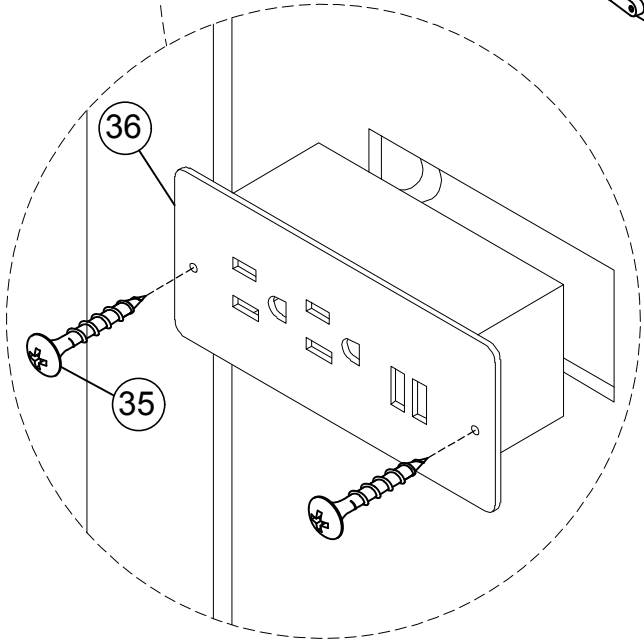
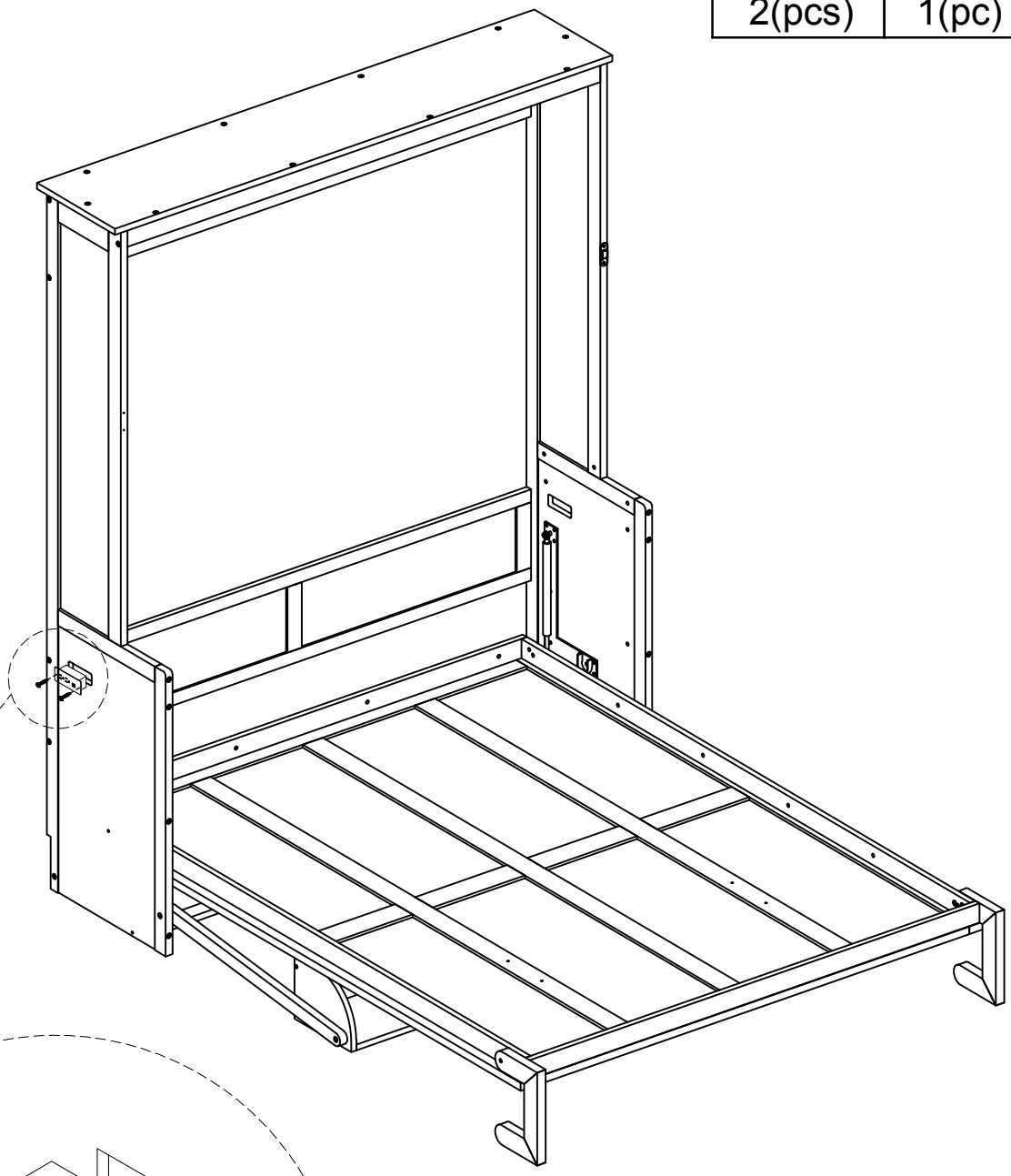
OR

OPTION B:

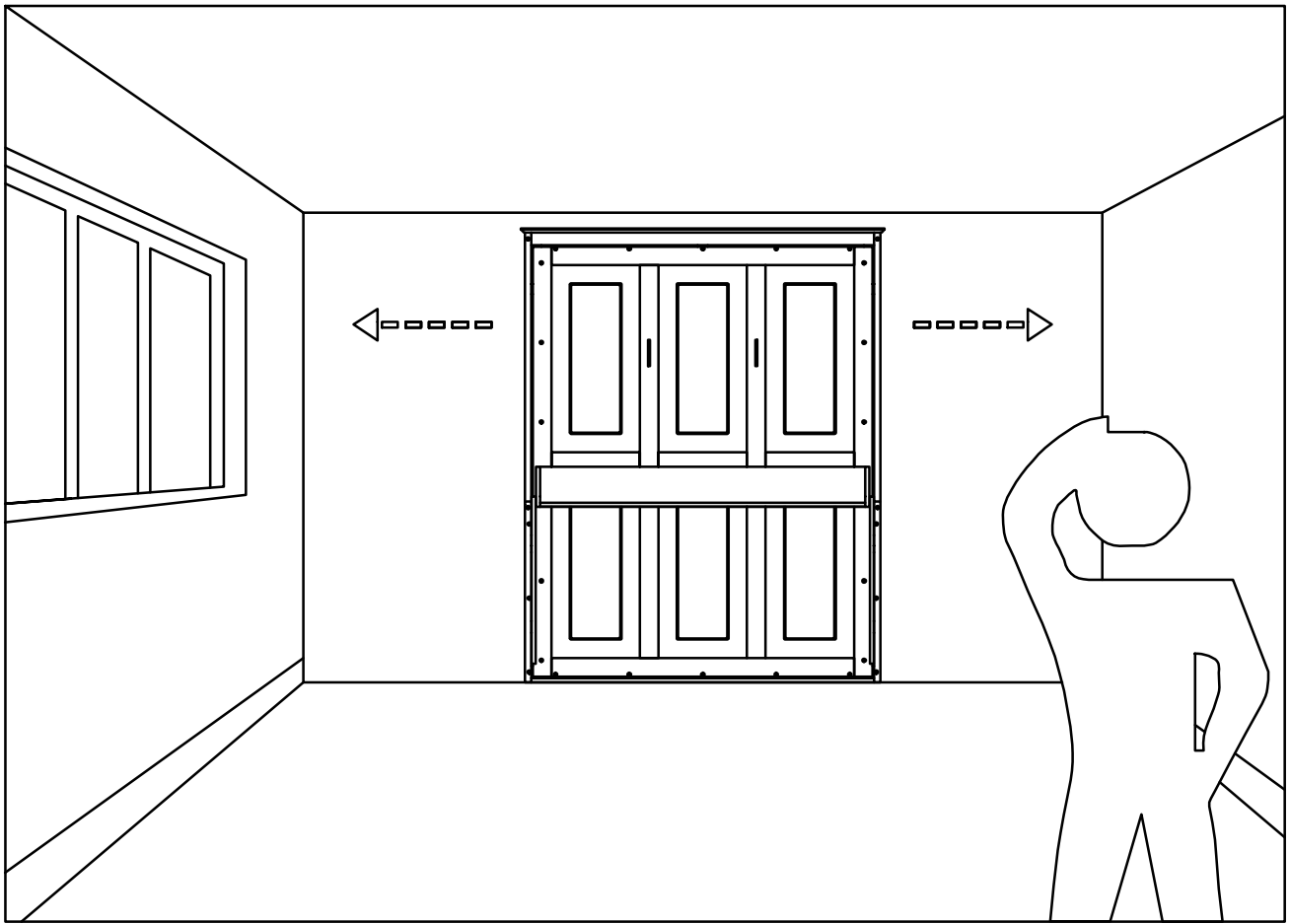


STEP30: Follow below illustration.

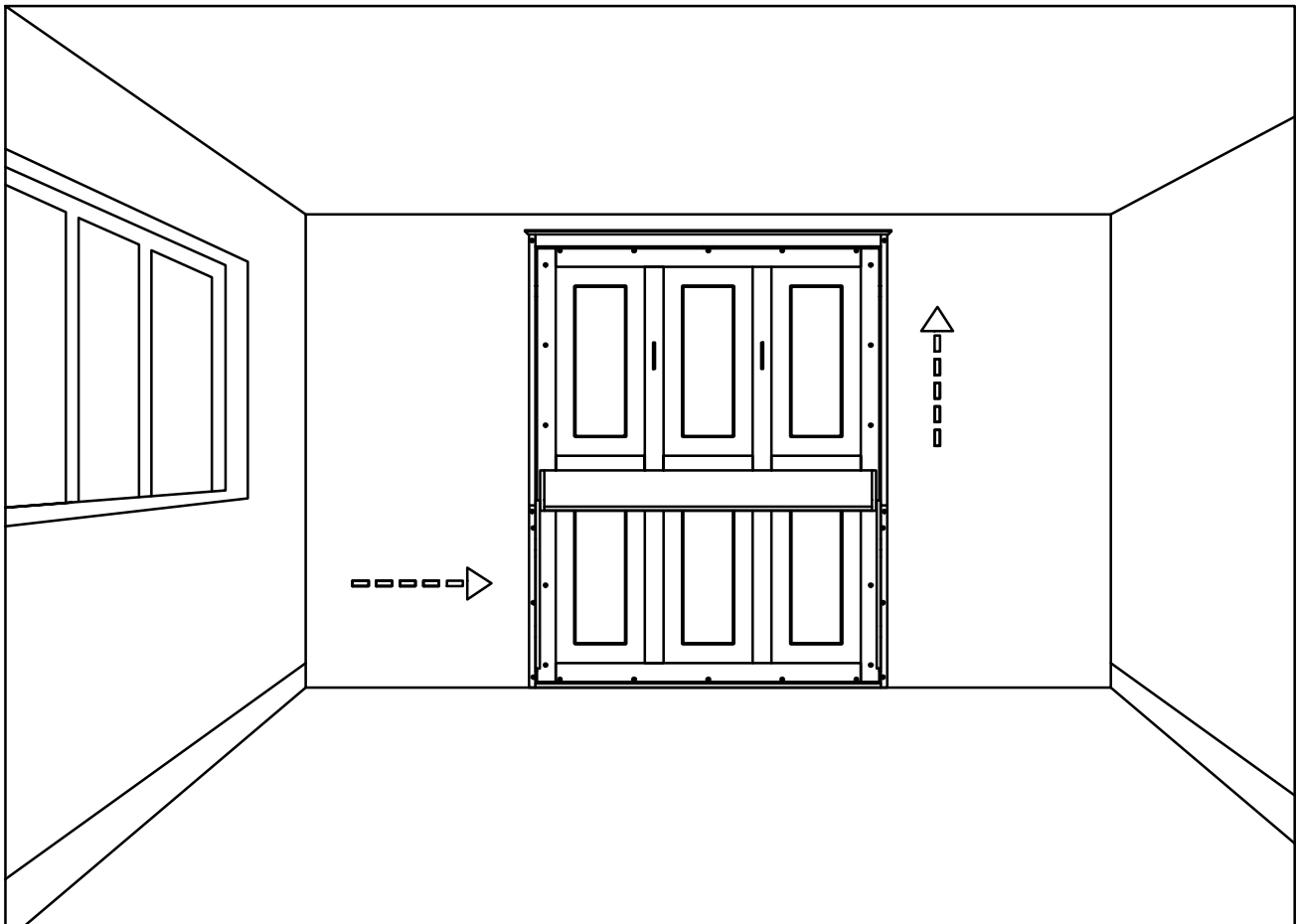
35	36
	
2(pcs)	1(pc)



1- Determine the position of the bed in the room.



2- Put the bed back in its place. Please keep it vertical and horizontal.



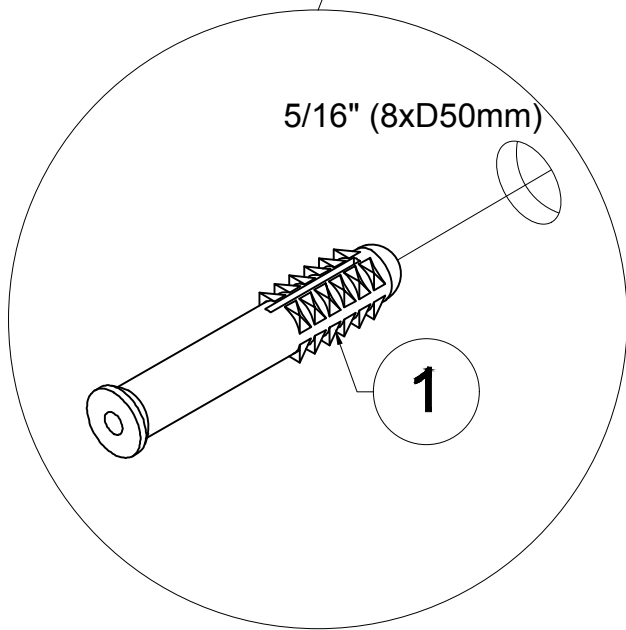
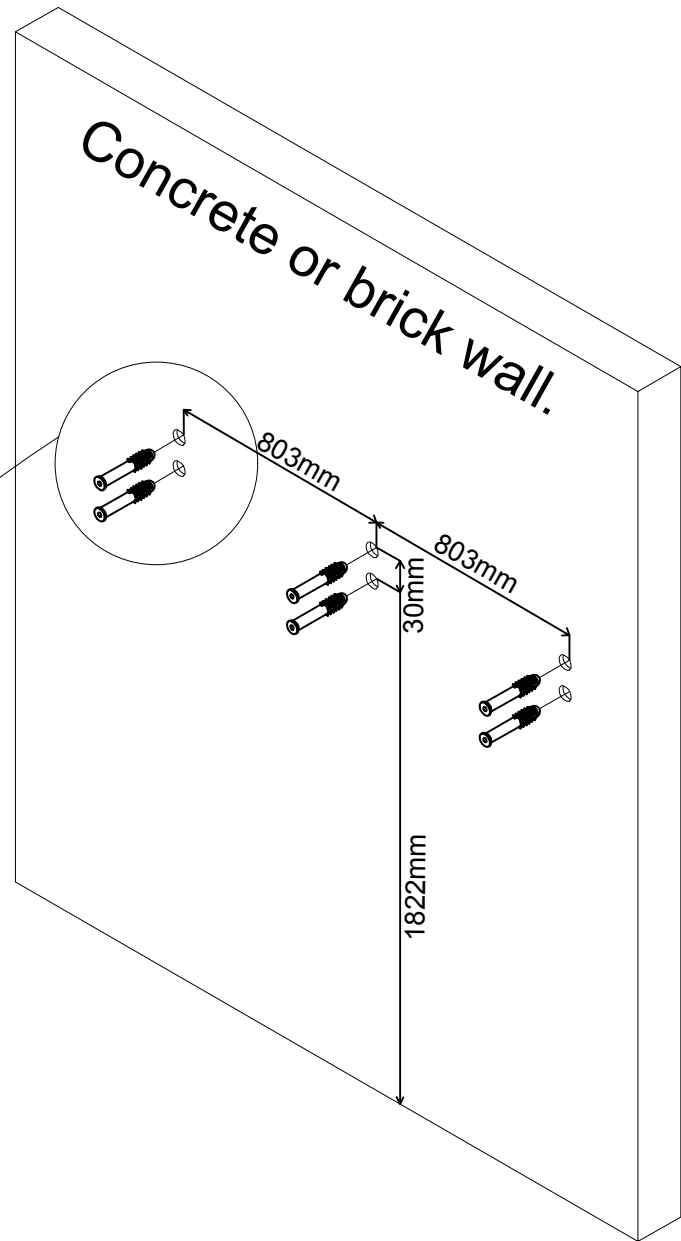
STEP31: Follow below illustration.

Make sure that it is fixed to a concrete or brick wall, not a hollow panel wall.

1

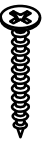


6(pcs)



STEP32: Follow below illustration.

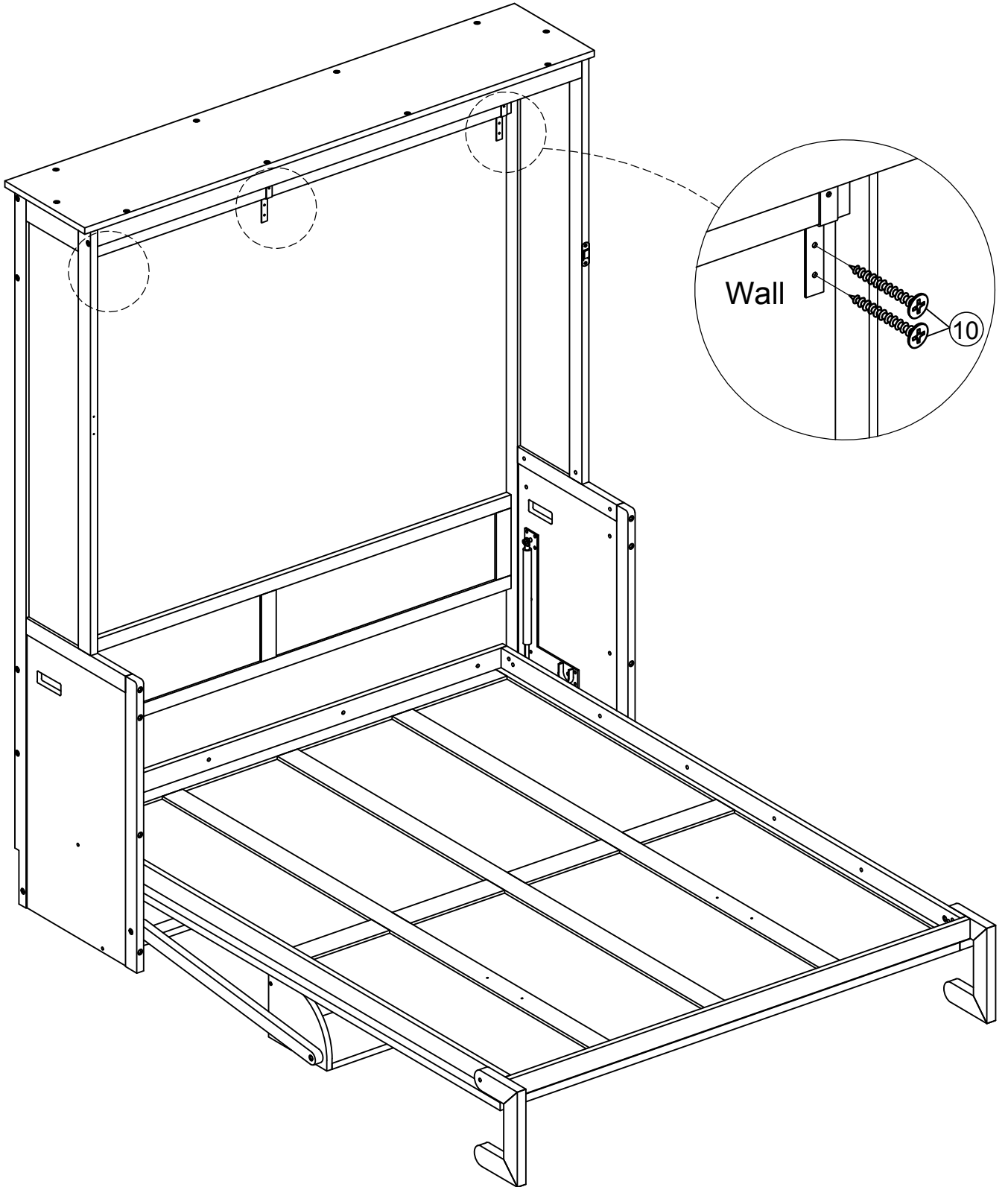
10



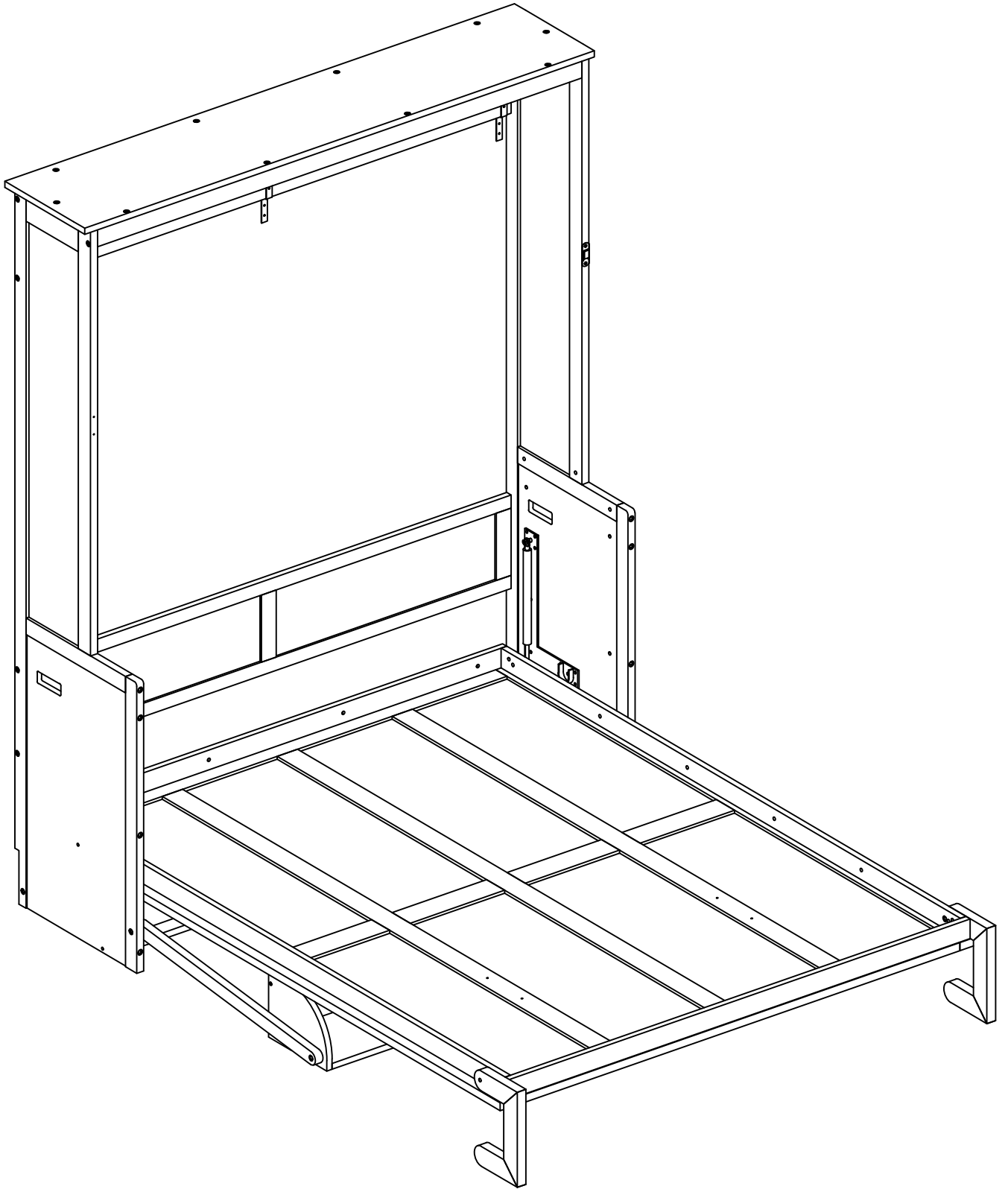
6(pcs)



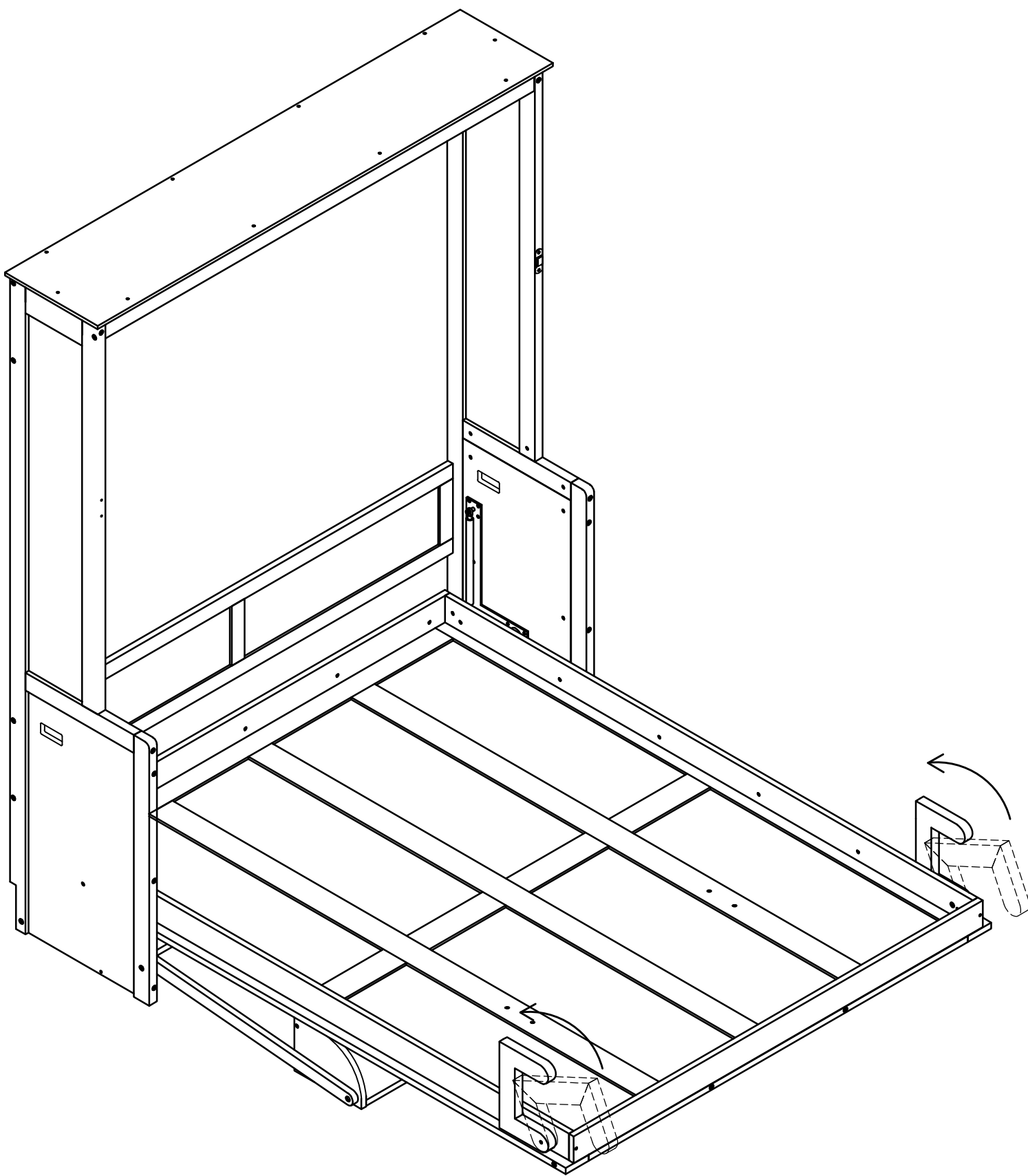
Safety Suggestion: Four individuals be actively engaged in the entire assembly process to maintain stability, to prevent unexpected tilting over, which could lead to serious injuries .



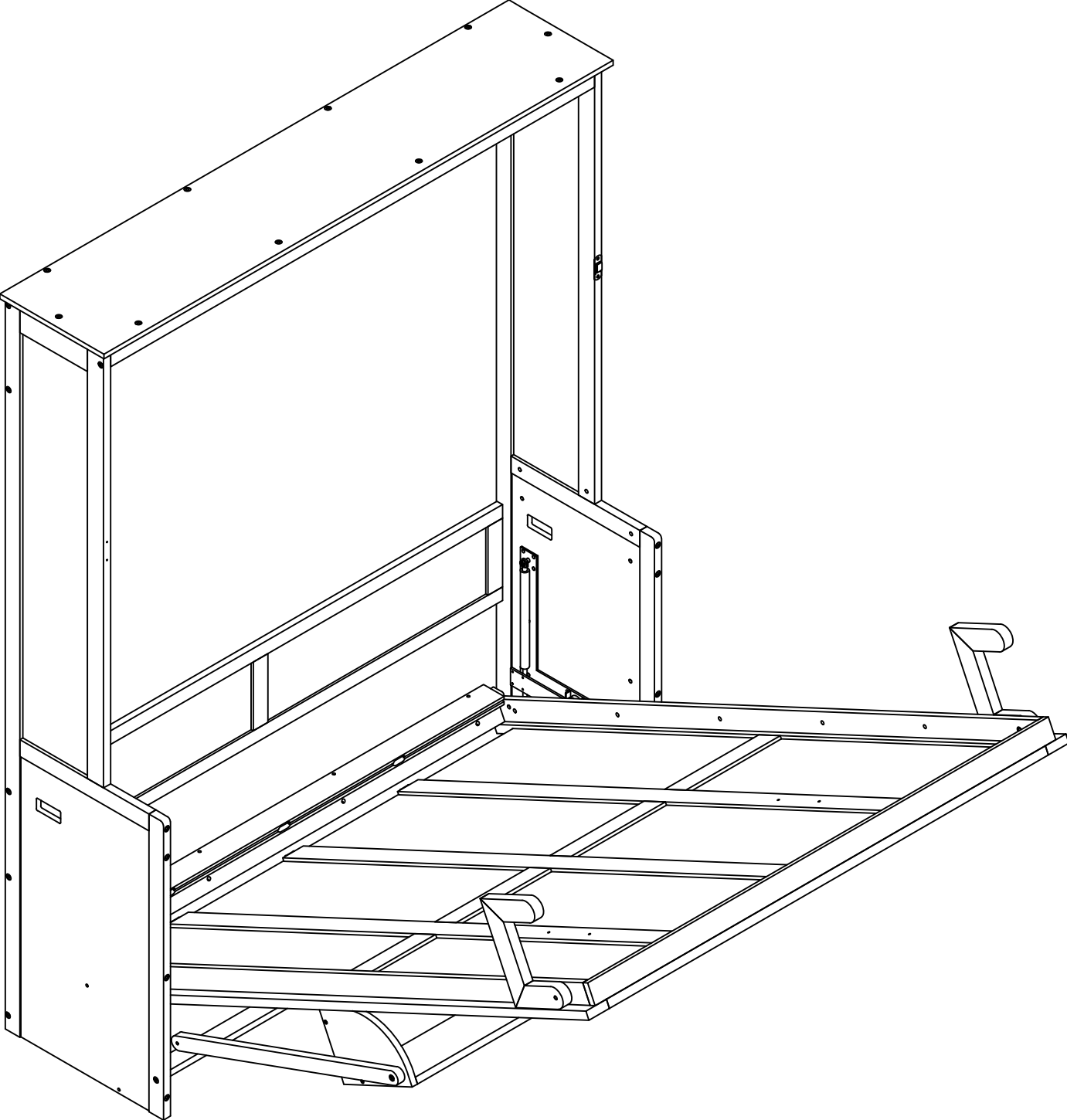
OPTION 1



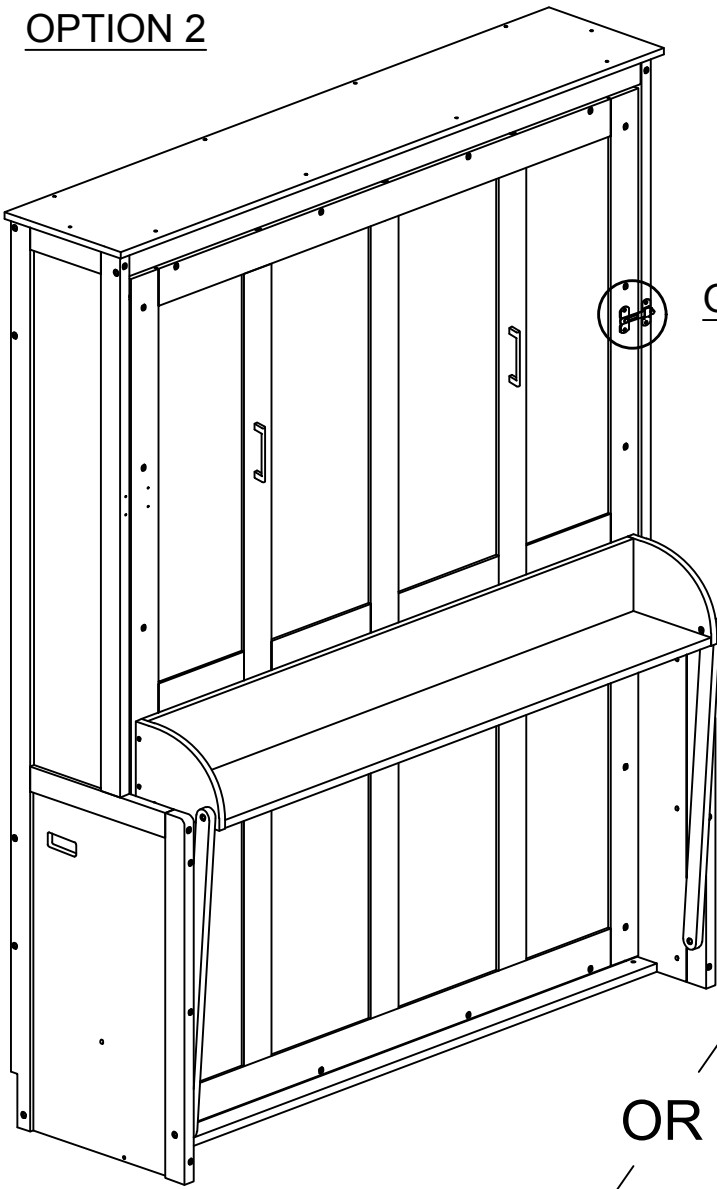
STEP33: Follow below illustration.



STEP34: Follow below illustration.



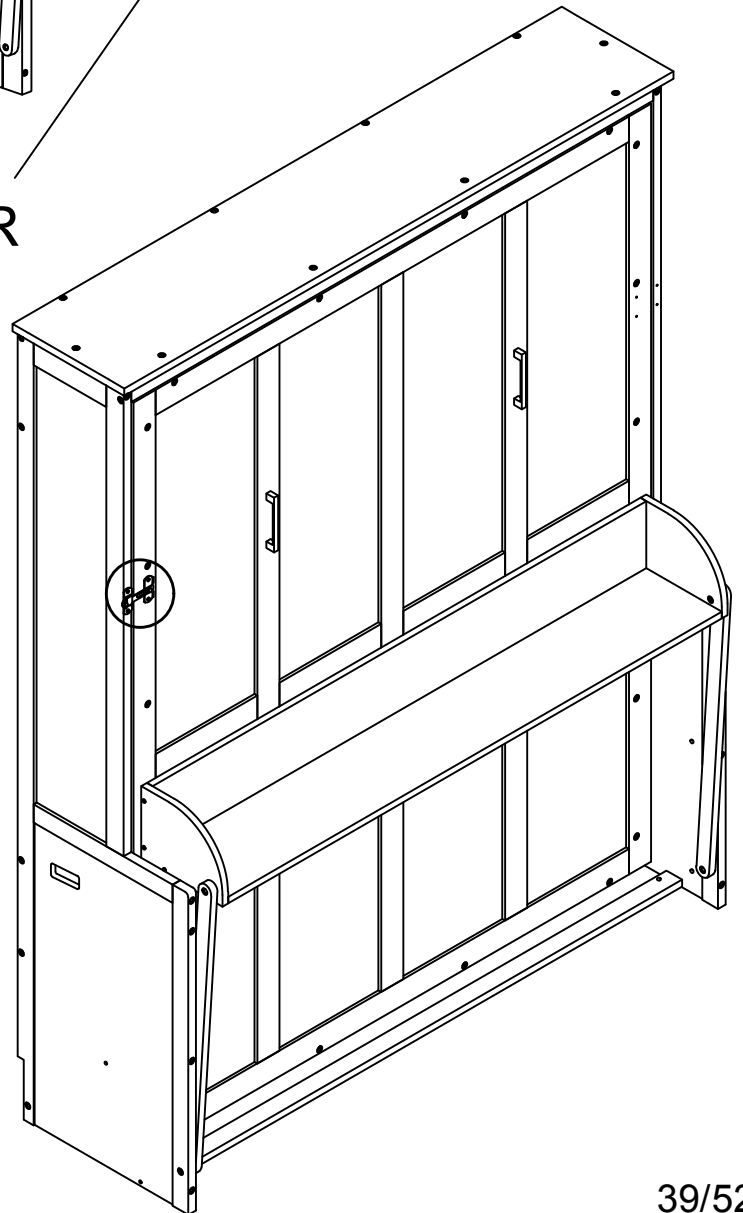
OPTION 2





OPTION A

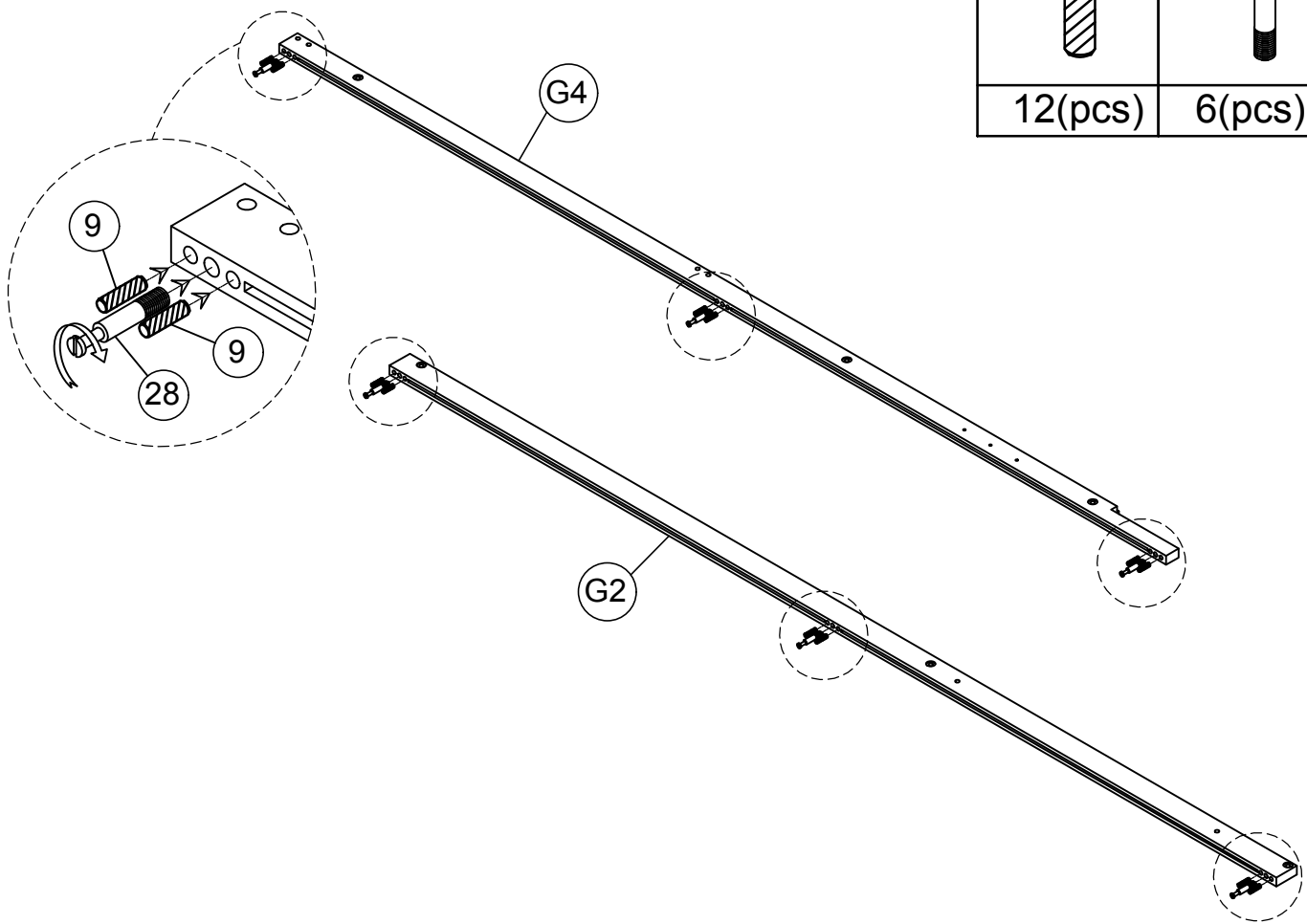
OR

OPTION B




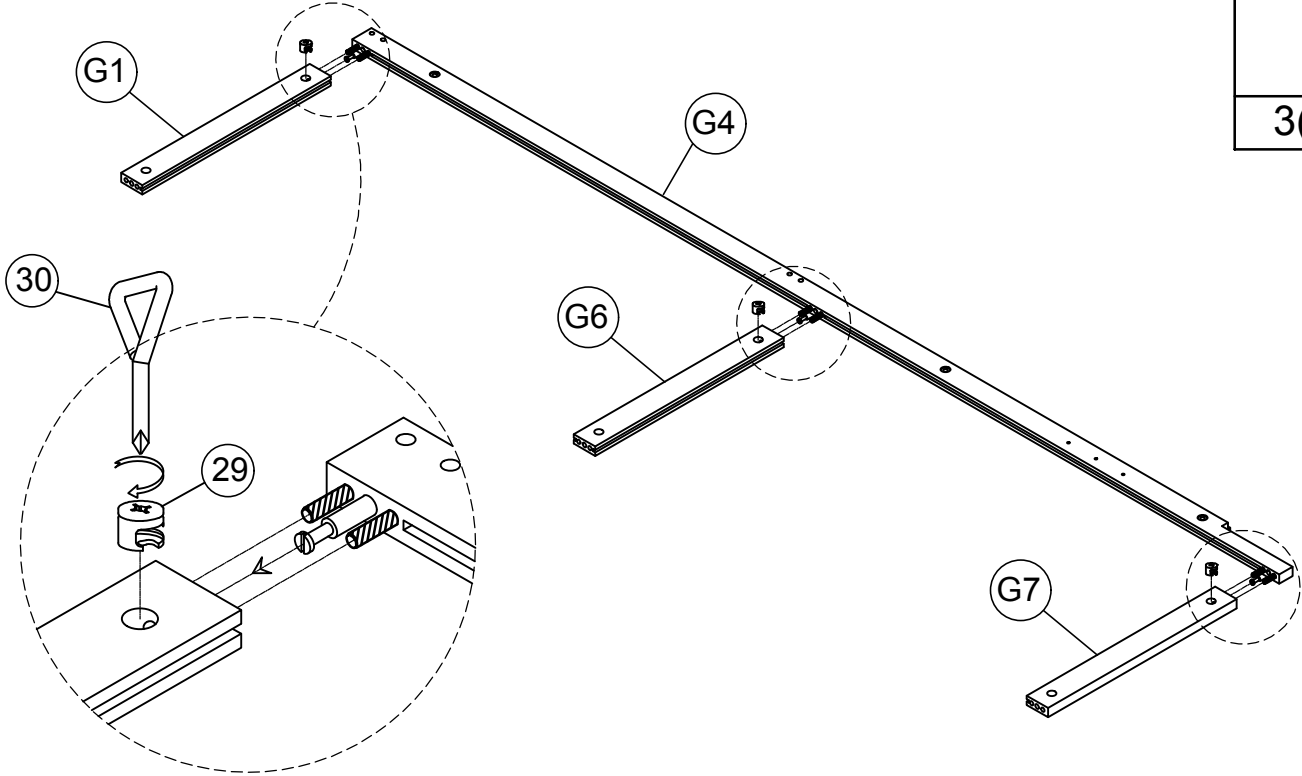
STEP35: Follow below illustration.

9		28	
12(pcs)		6(pcs)	



STEP36: Follow below illustration.

29	
3(pcs)	

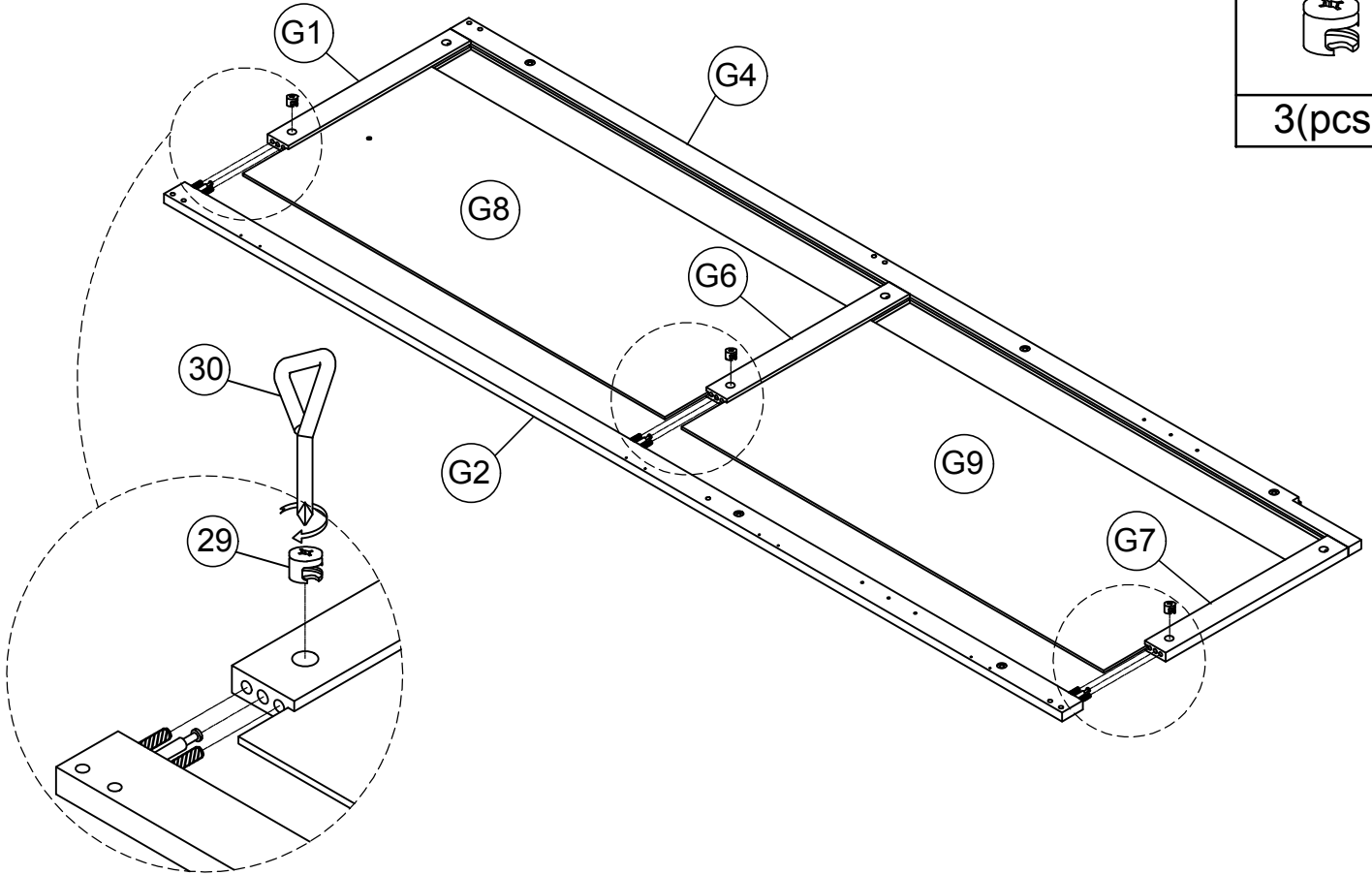


STEP37: Follow below illustration.

29



3(pcs)



STEP38: Follow below illustration.

9

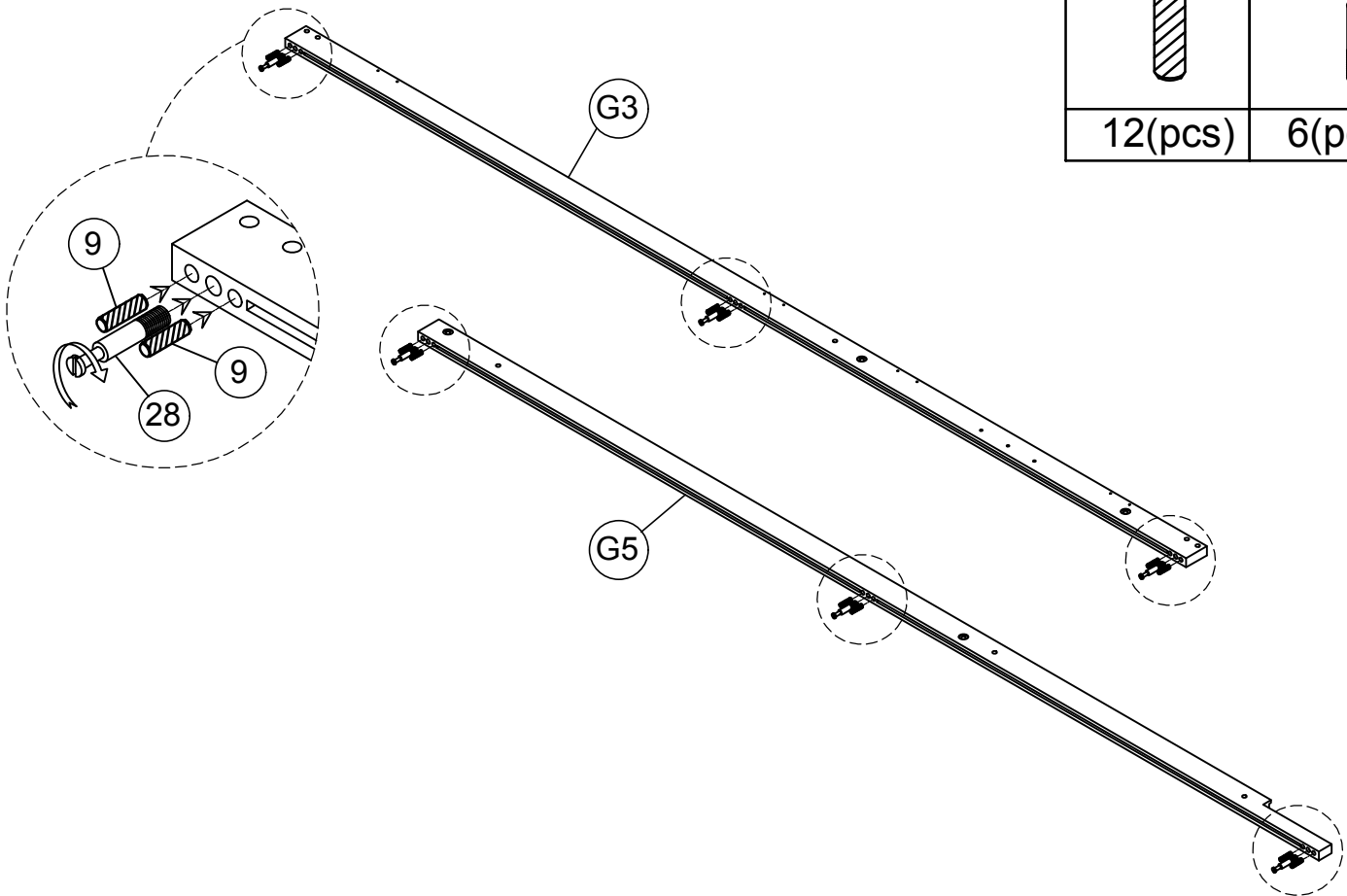


12(pcs)

28



6(pcs)

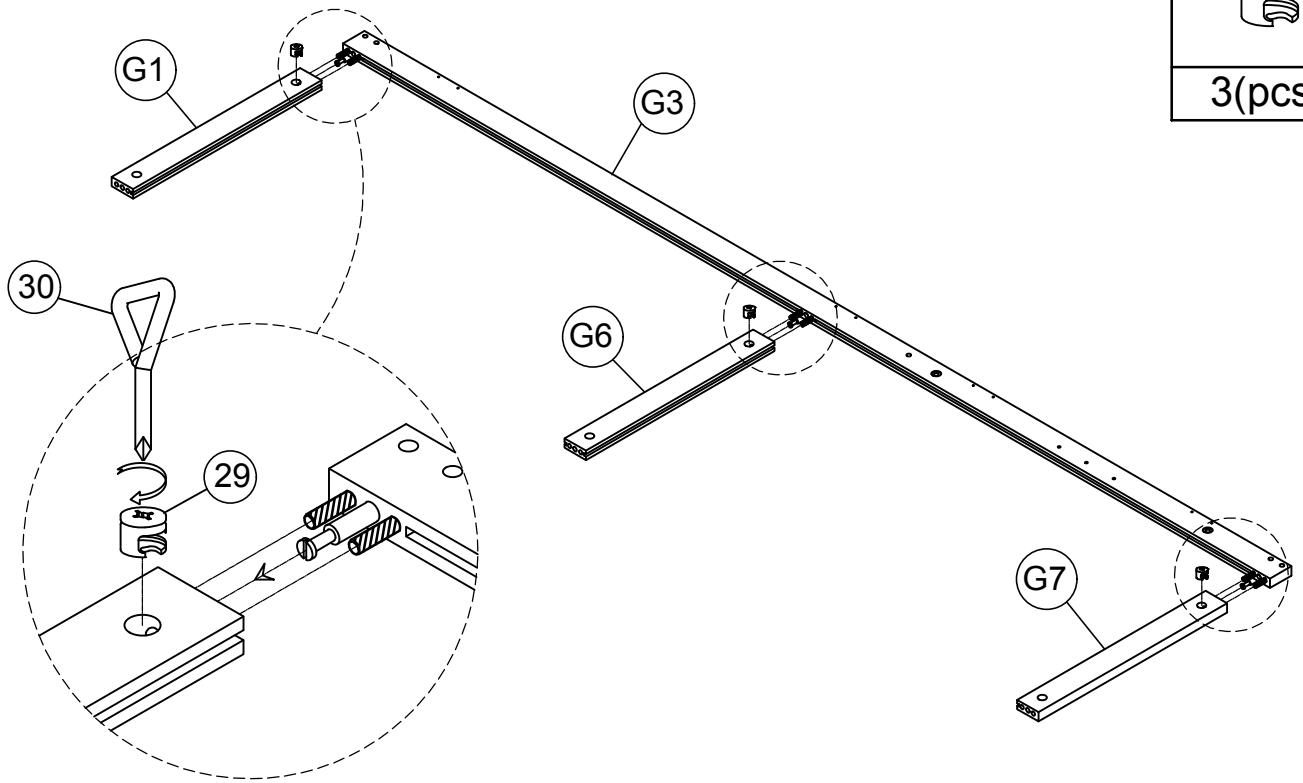


STEP39: Follow below illustration.

29



3(pcs)

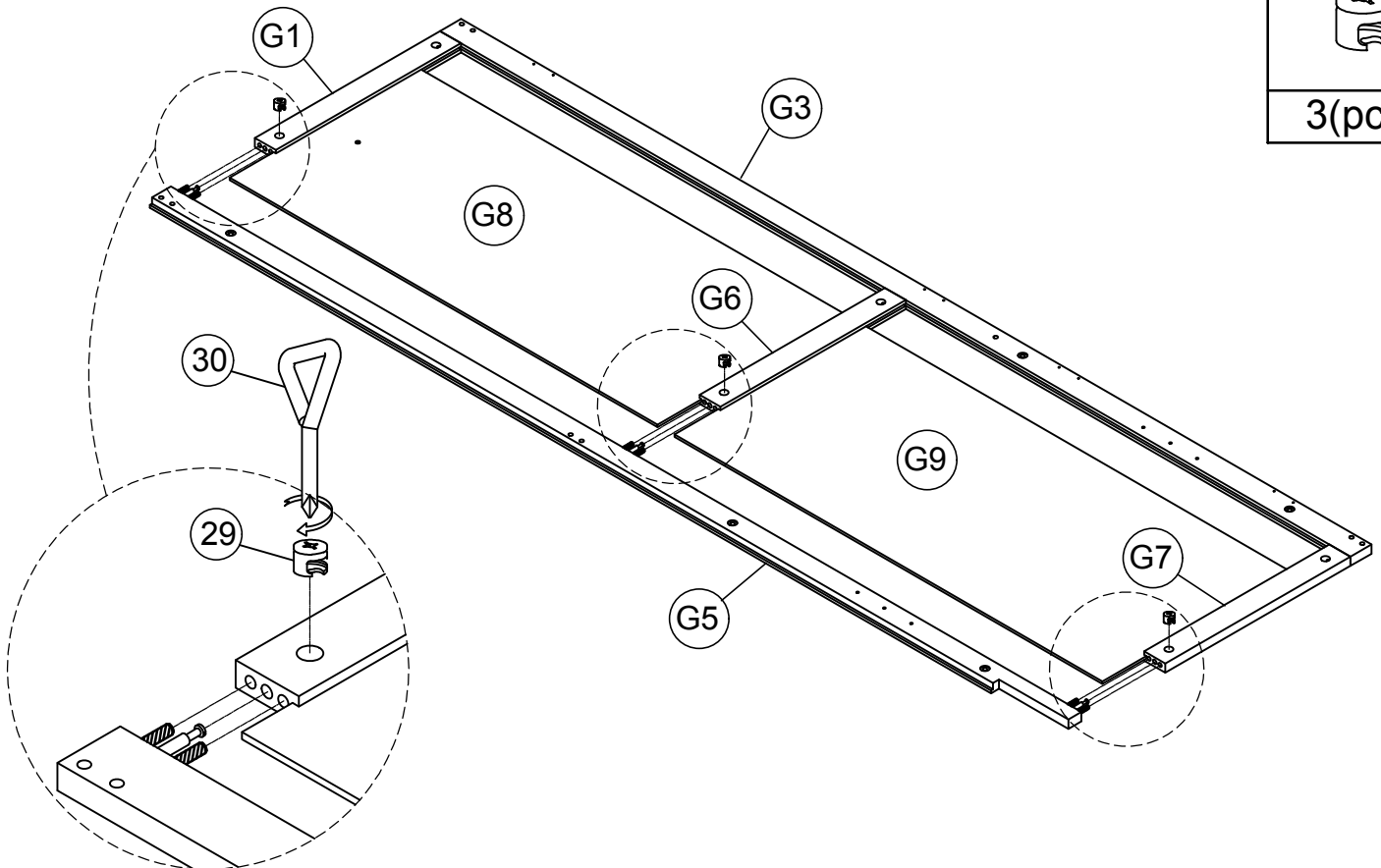


STEP40: Follow below illustration.


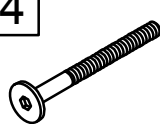
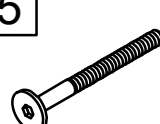


29

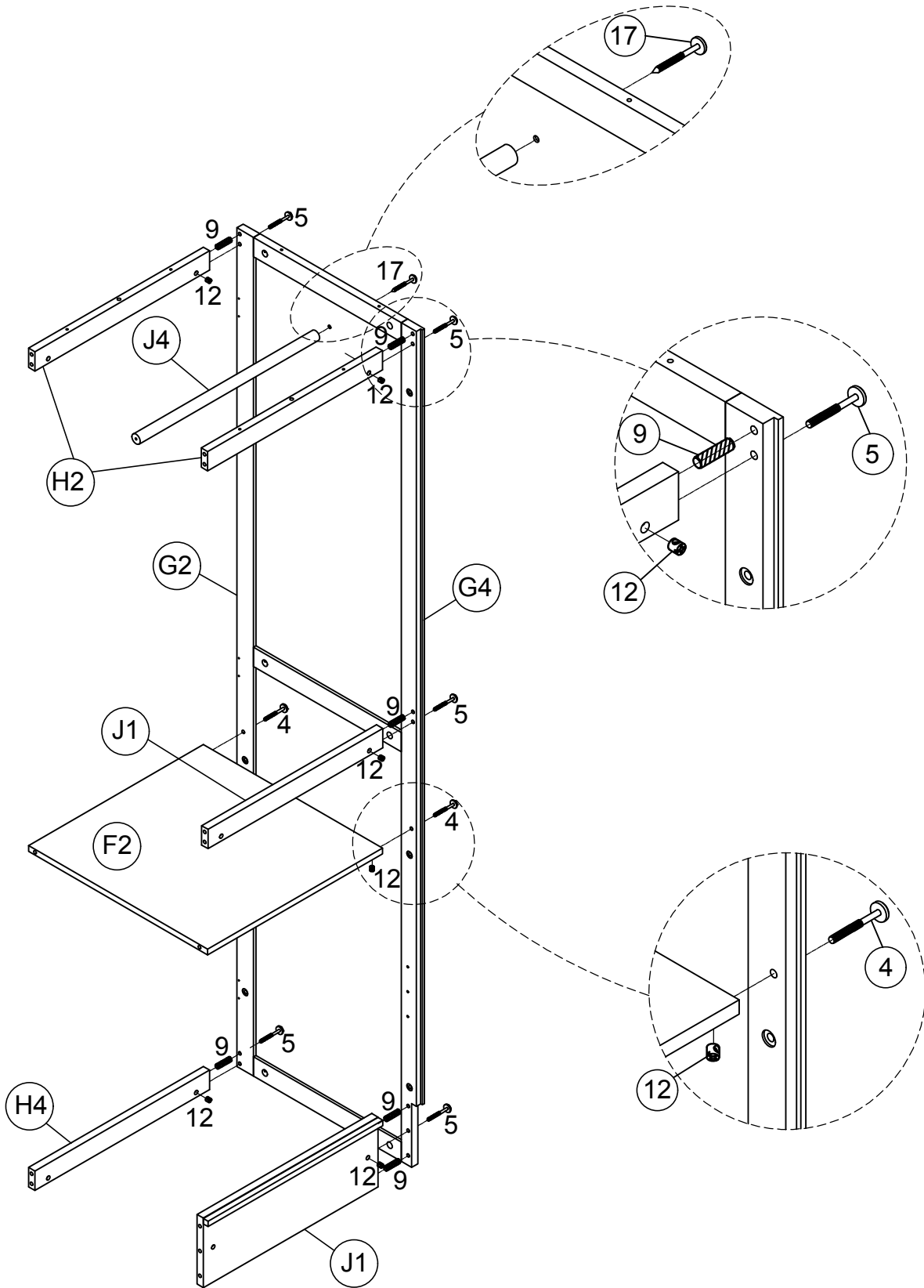


3(pcs)

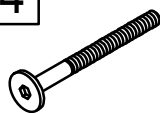
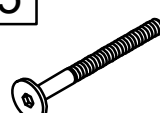
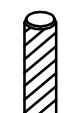




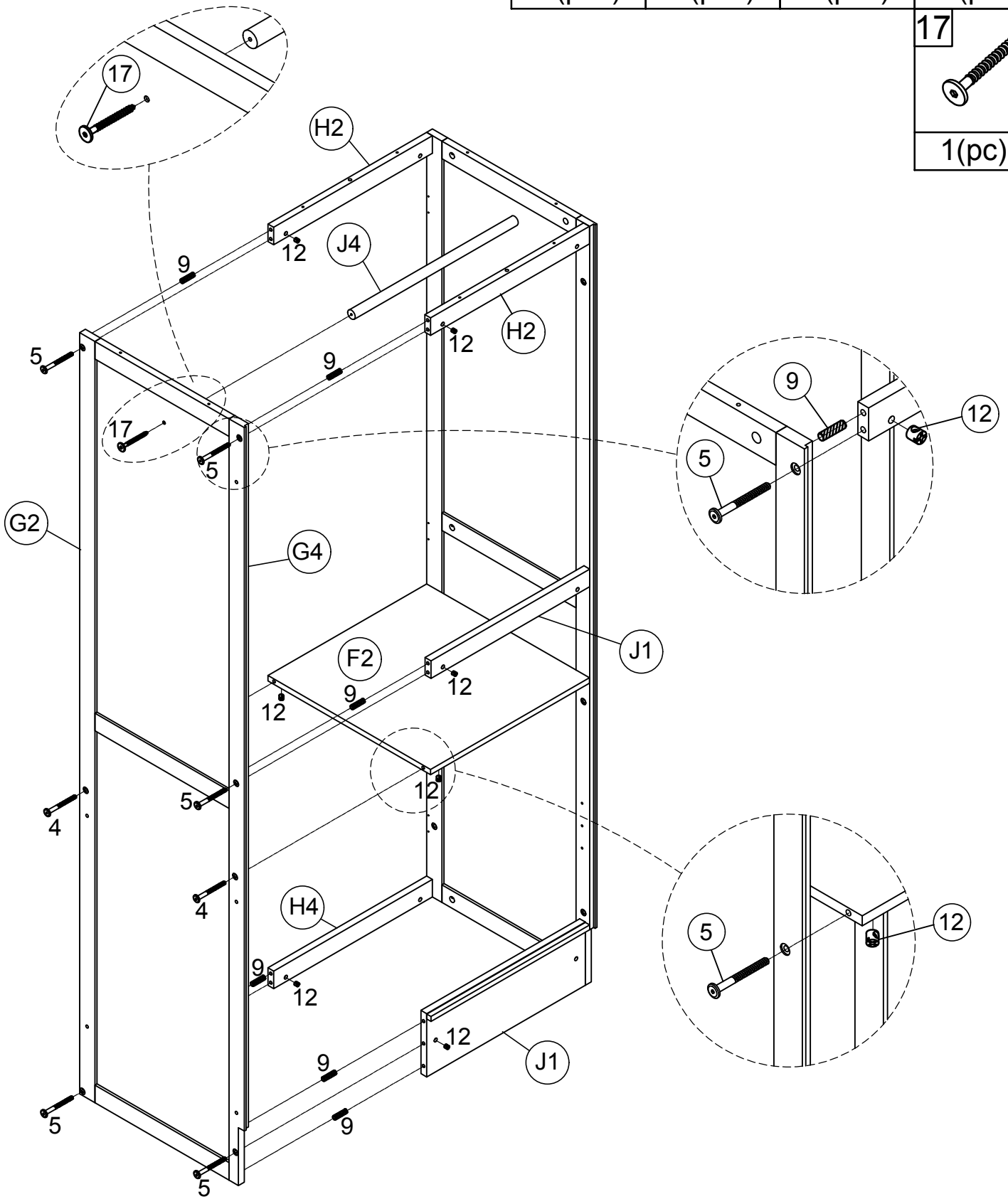
STEP41: Follow below illustration.

17	4	5	9	12
				
1(pc)	2(pcs)	5(pcs)	6(pcs)	7(pcs)

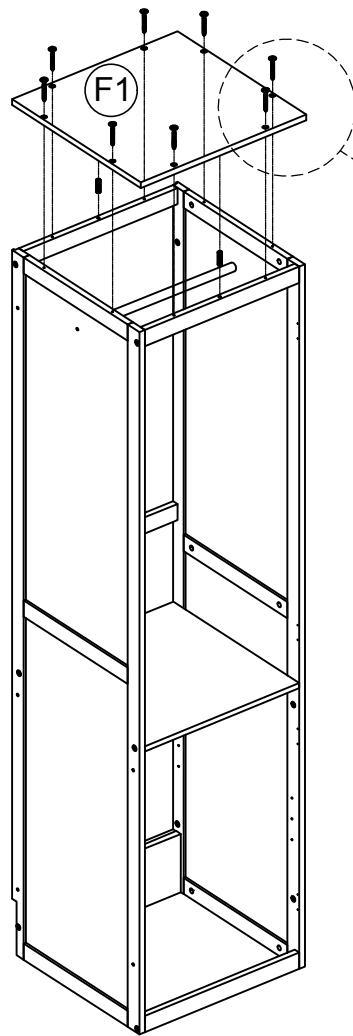




STEP42: Follow below illustration.

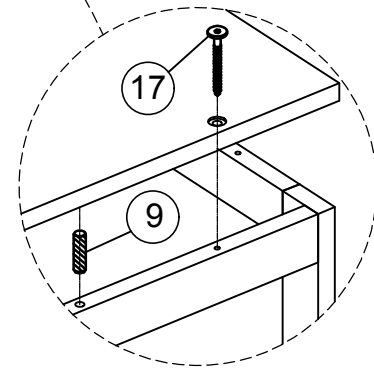
4		5		9		12		
2(pcs)		5(pcs)		6(pcs)		7(pcs)		
							17	
							1(pc)	



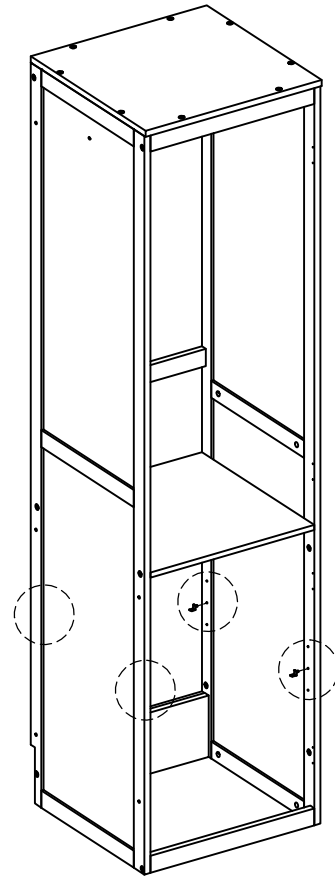
STEP43: Follow below illustration.




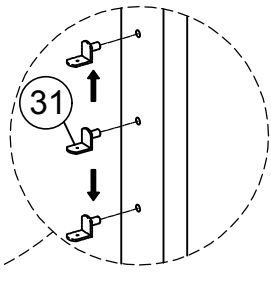
9		17	
2(pcs)		8(pcs)	



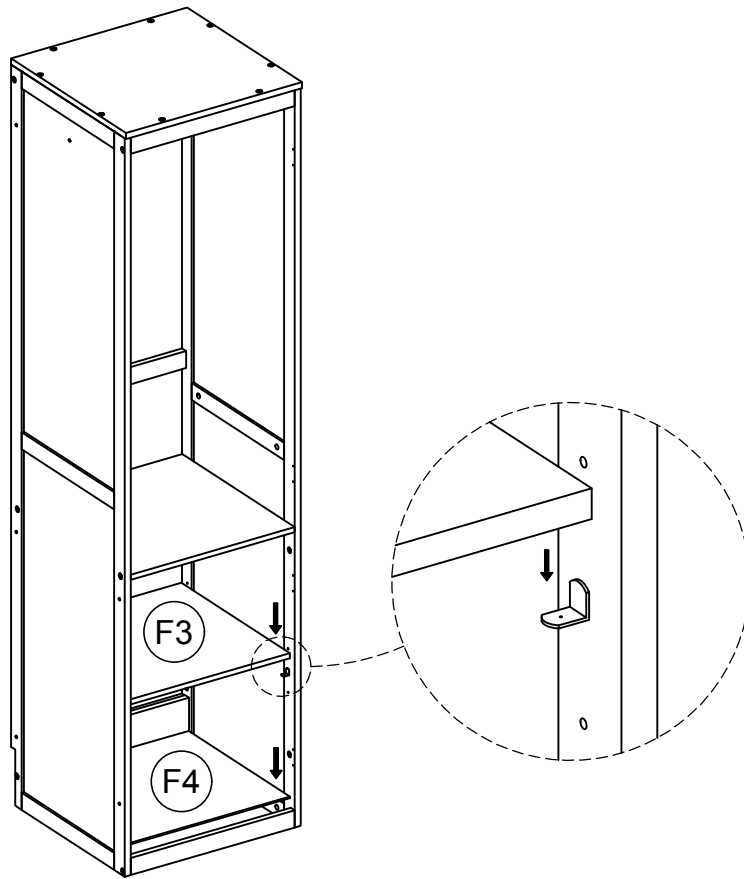
STEP44: Follow below illustration.



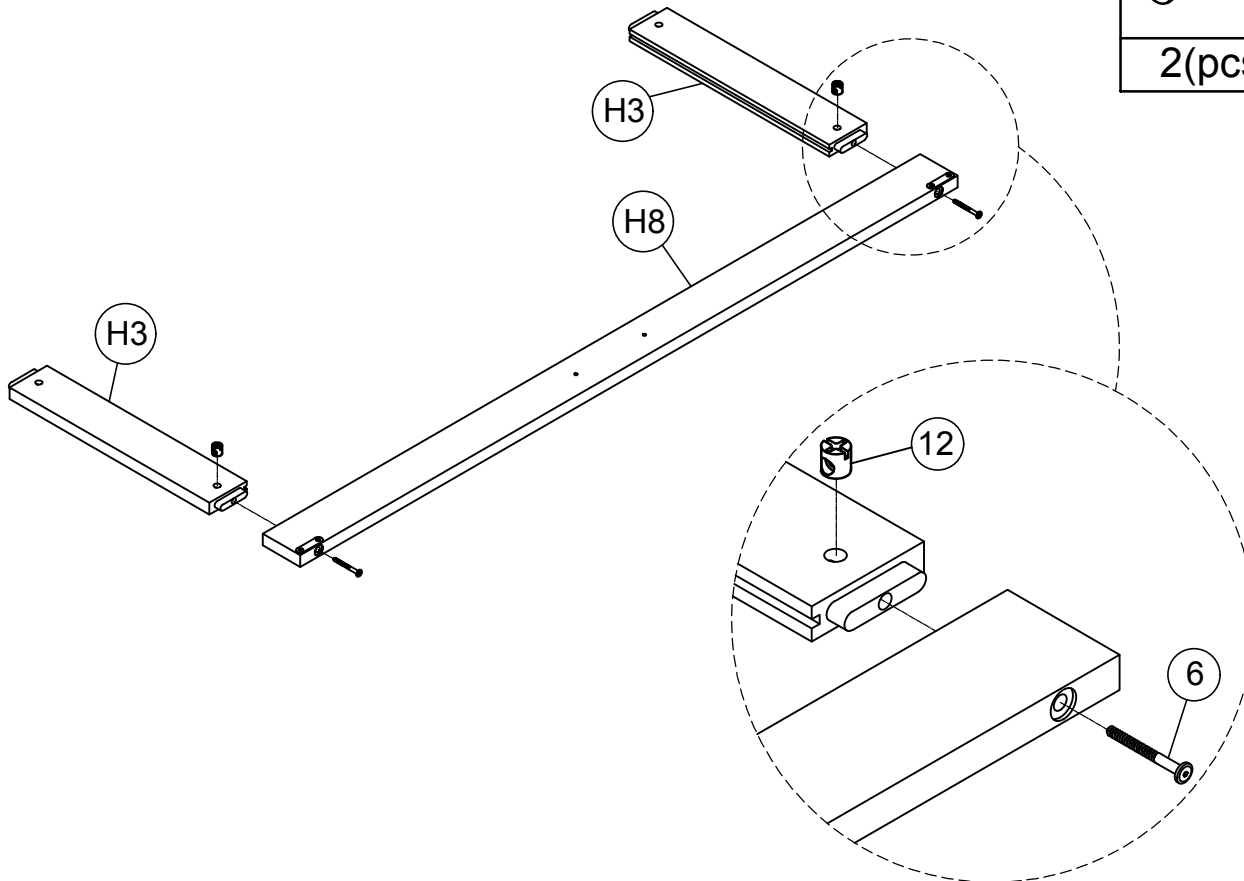
31	
4(pcs)	

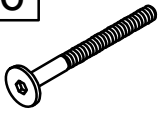



STEP45: Follow below illustration.

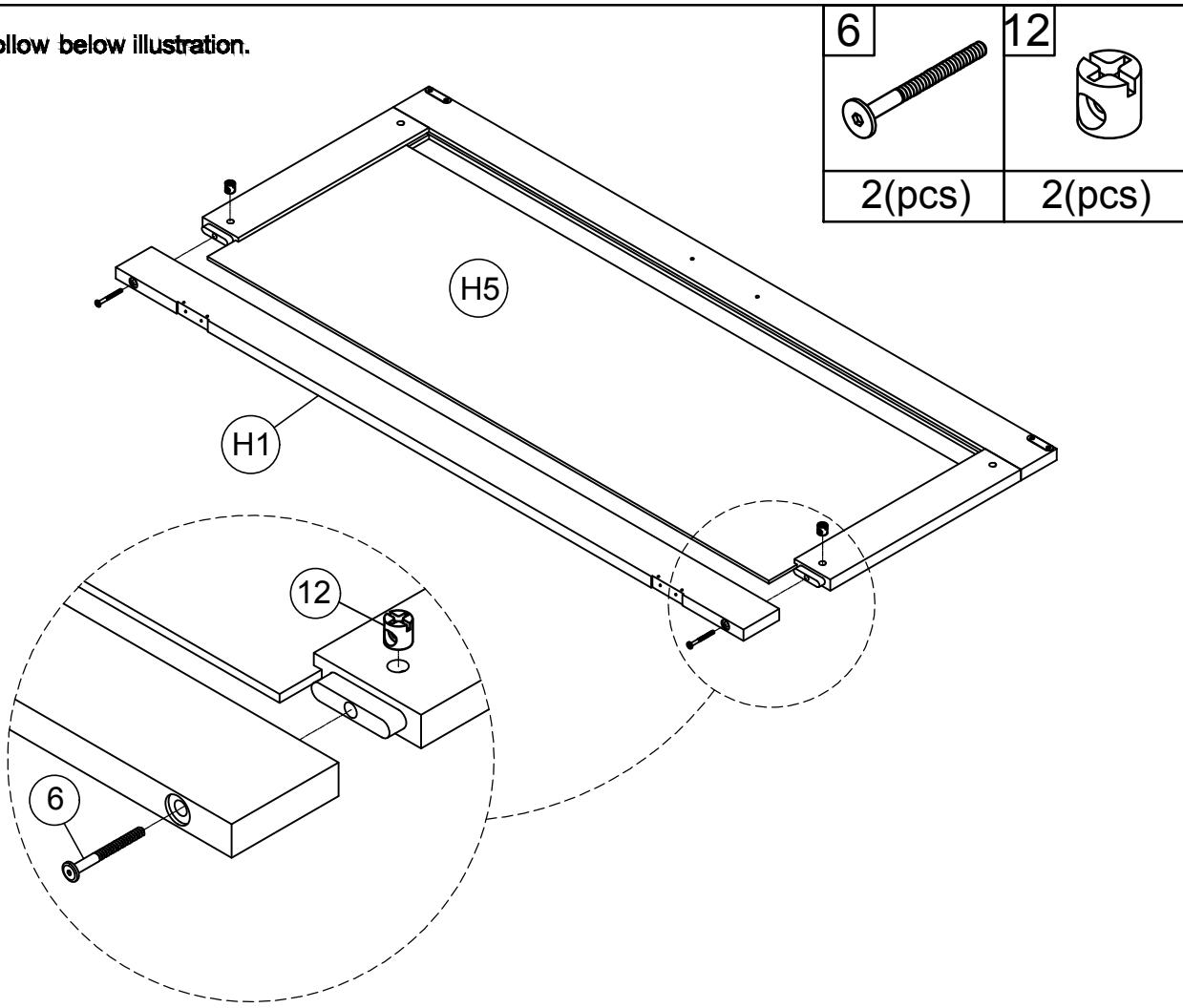


STEP46: Follow below illustration.

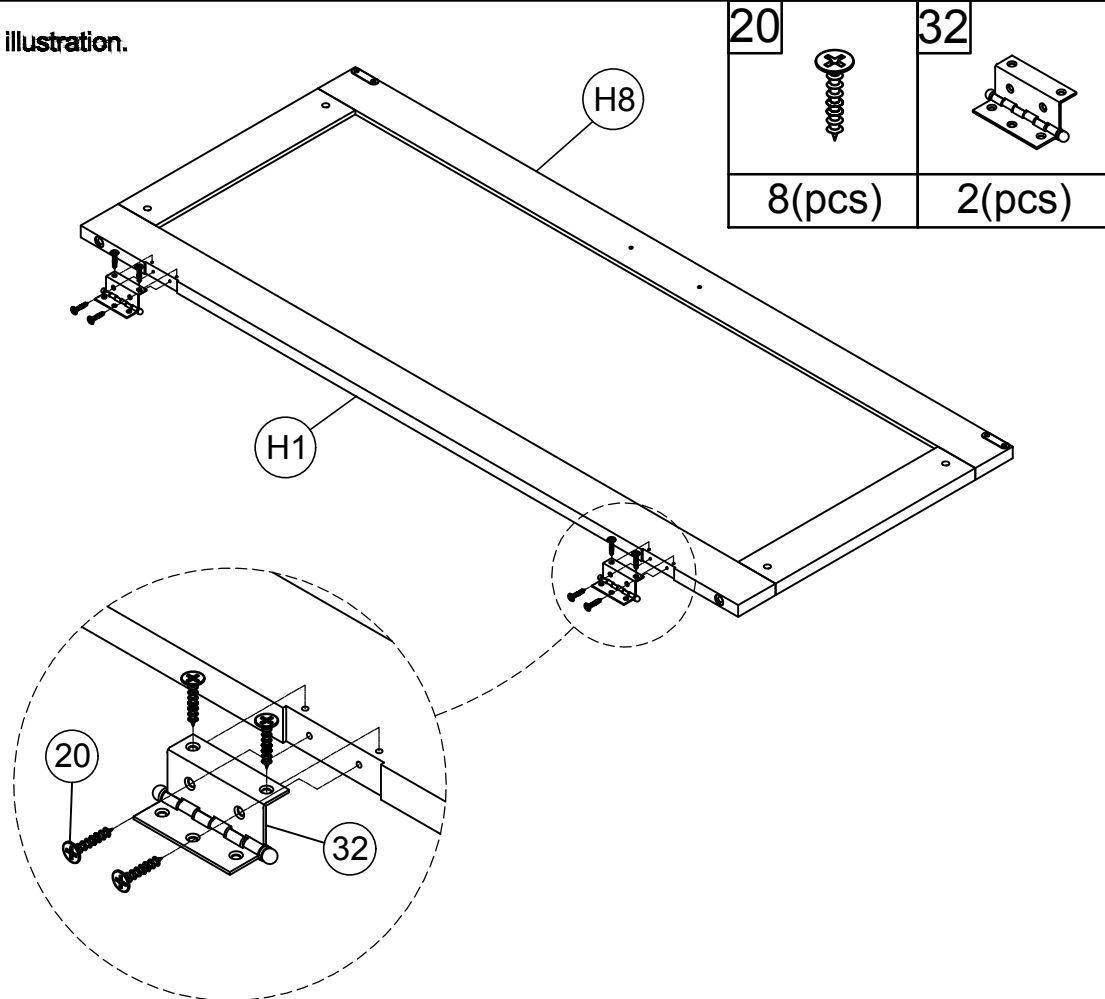


6		12	
2(pcs)		2(pcs)	

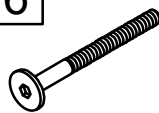

STEP47: Follow below illustration.

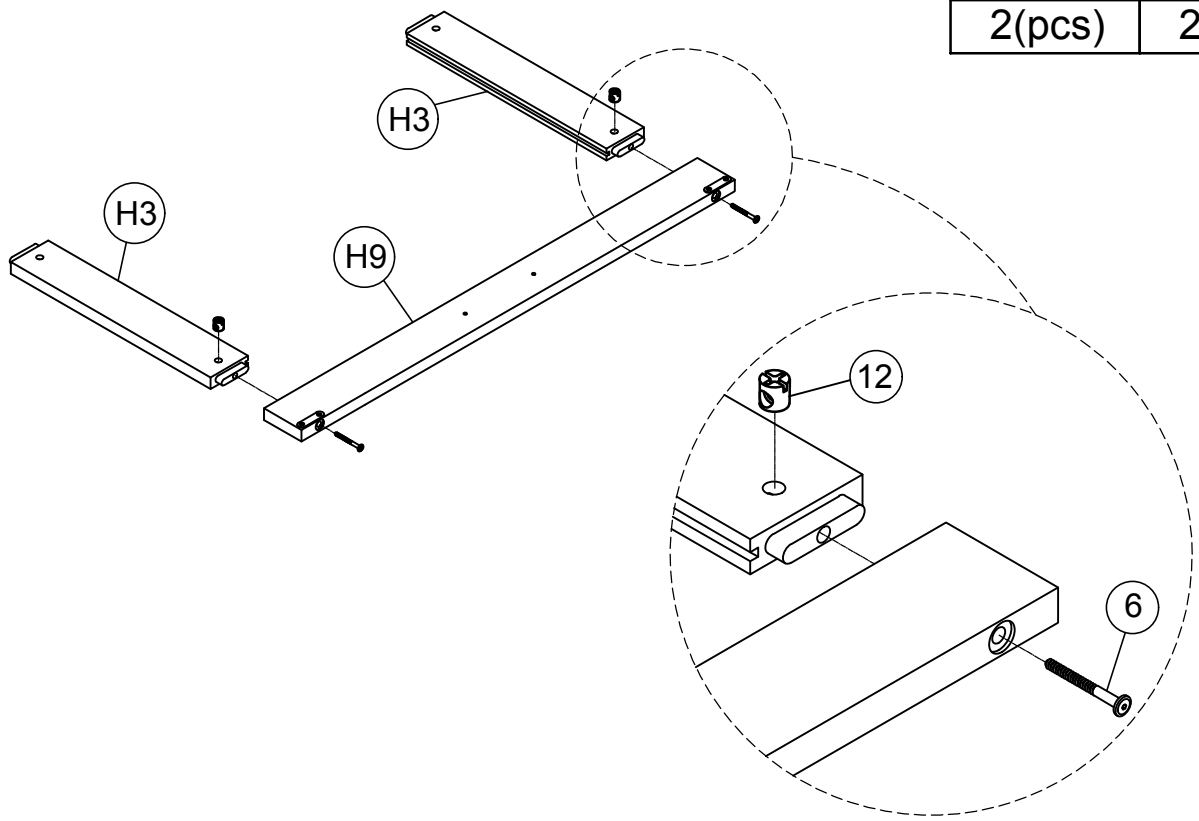


STEP48: Follow below illustration.

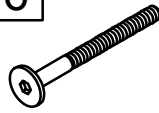



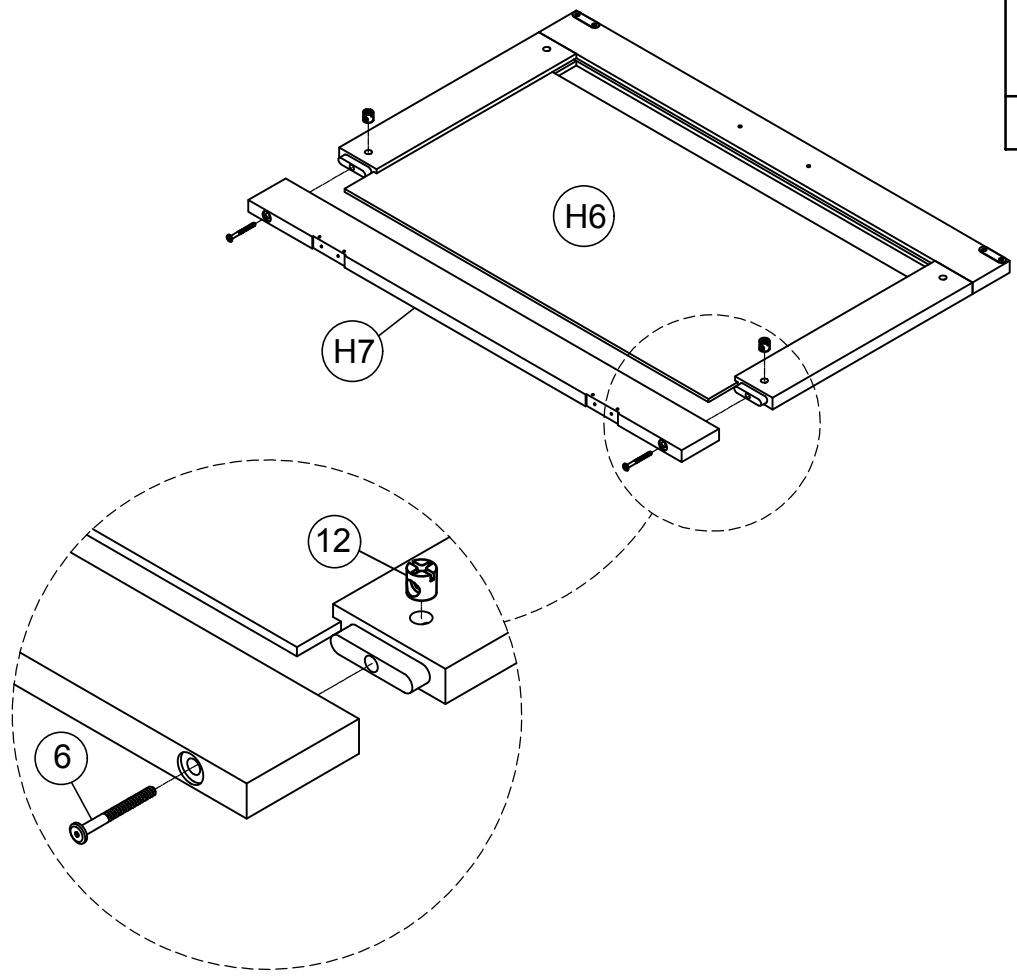
STEP49: Follow below illustration.

6	12
	
2(pcs)	2(pcs)


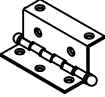


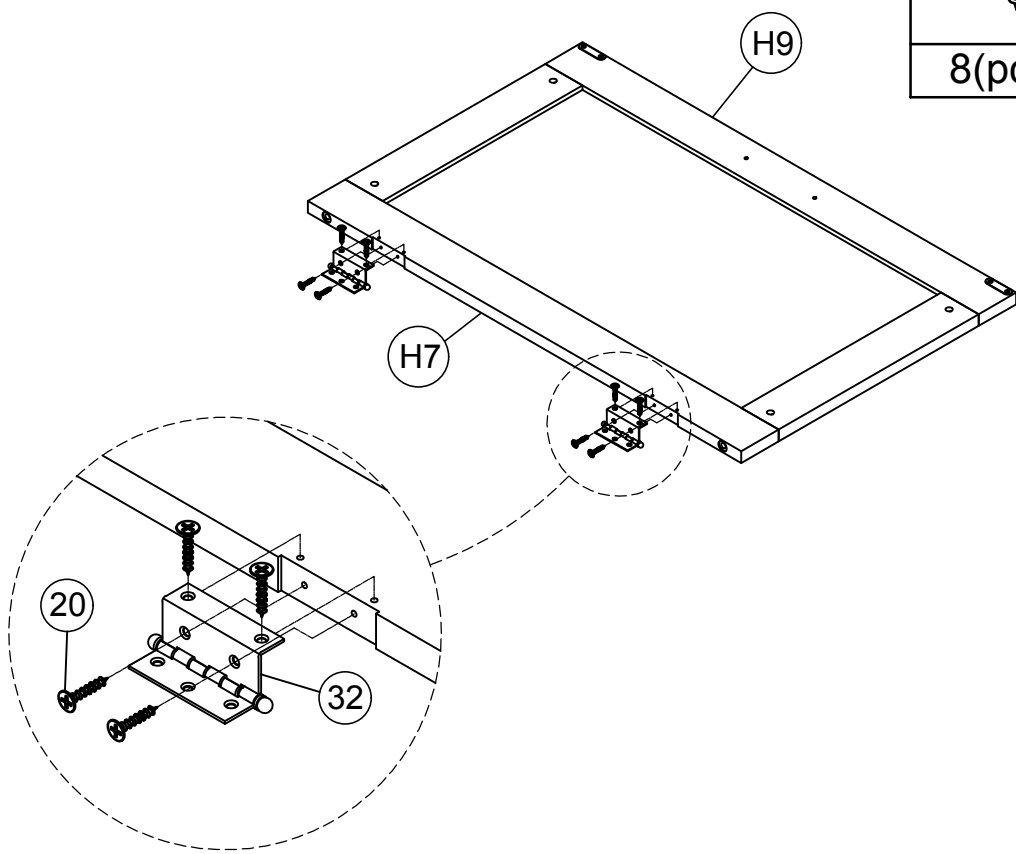
STEP50: Follow below illustration.

6	12
	
2(pcs)	2(pcs)

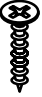


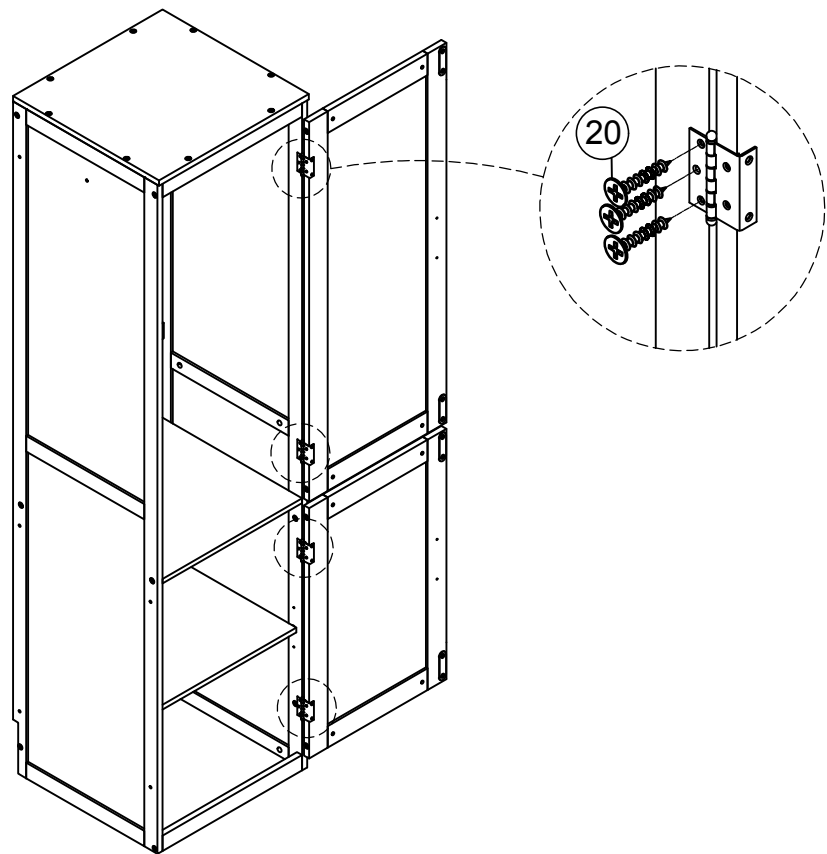
STEP51: Follow below illustration.

20	32
	
8(pcs)	2(pcs)

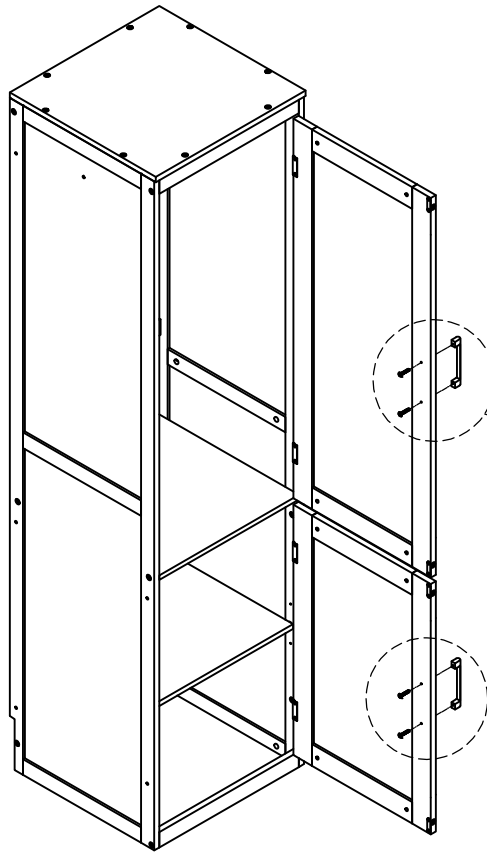


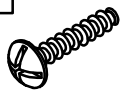

STEP52: Follow below illustration.

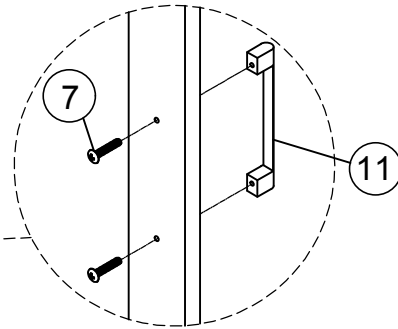
20

12(pcs)



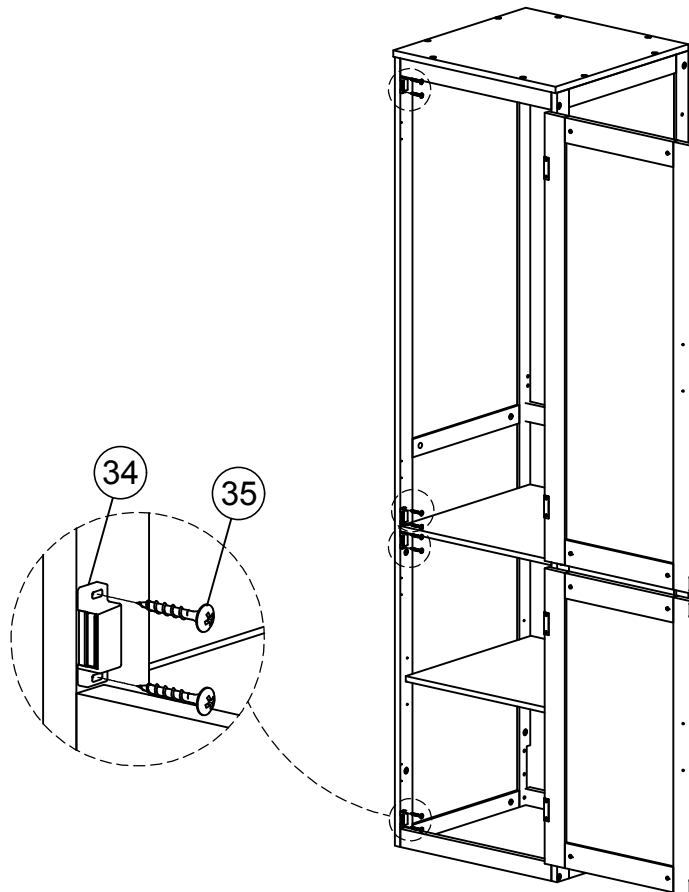
STEP 53: Follow below illustration.

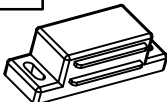



7	11
	
4(pcs)	2(pcs)



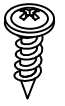
STEP 54: Follow below illustration.



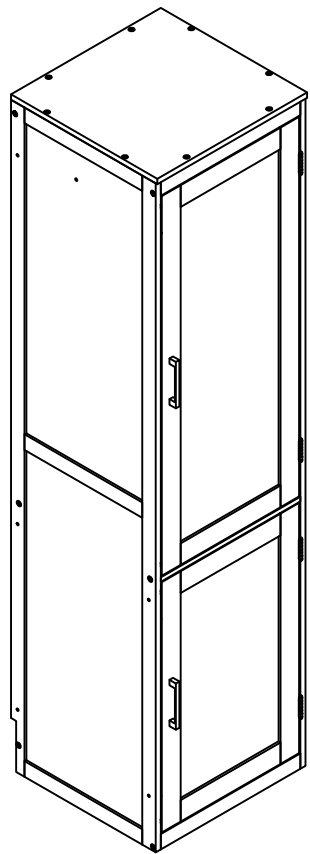
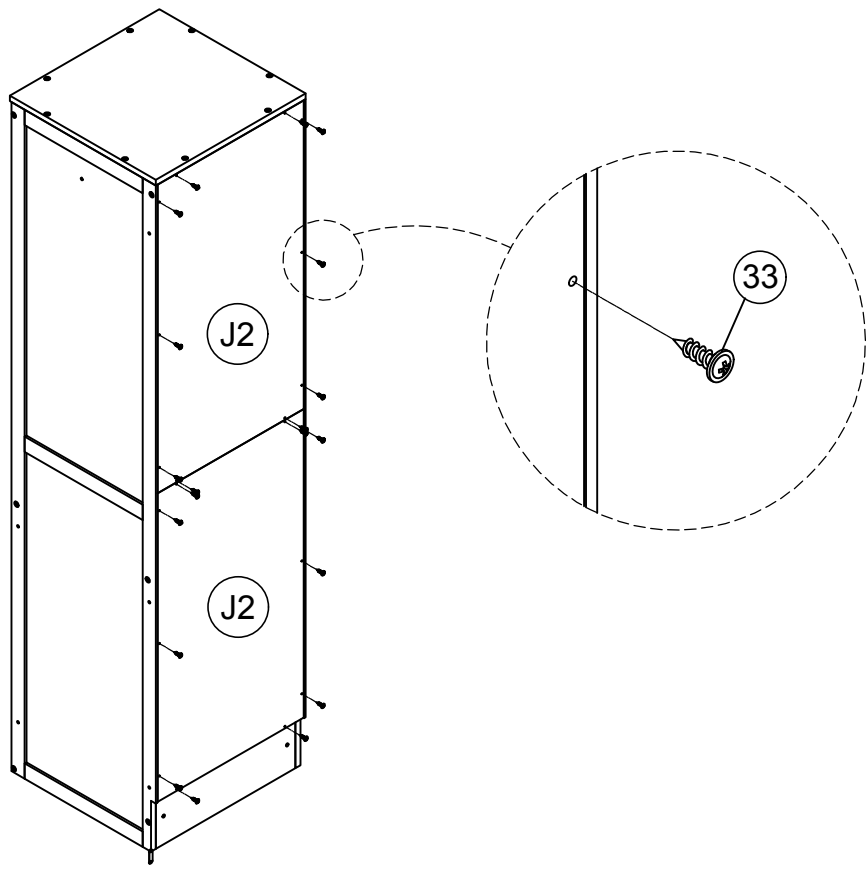
34	35
	
4(pcs)	8(pcs)

STEP 55: Follow below illustration.

33

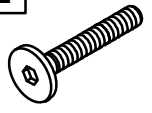


20(pcs)



STEP 56: Follow below illustration.

2



5(pcs)

