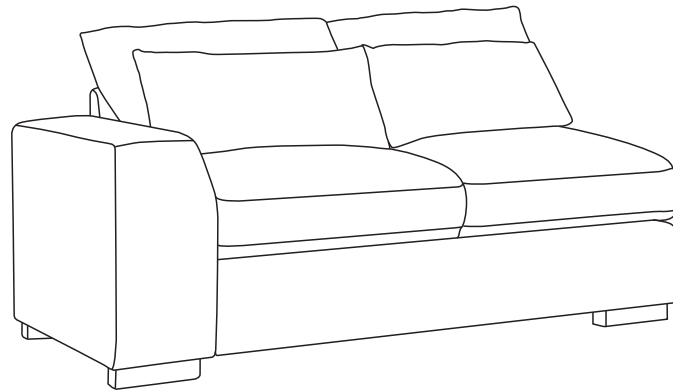
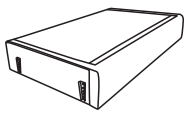
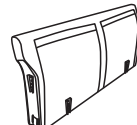
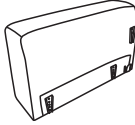



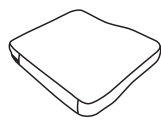


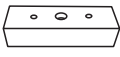

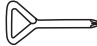
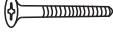

# ASSEMBLY INSTRUCTION



## PART LIST

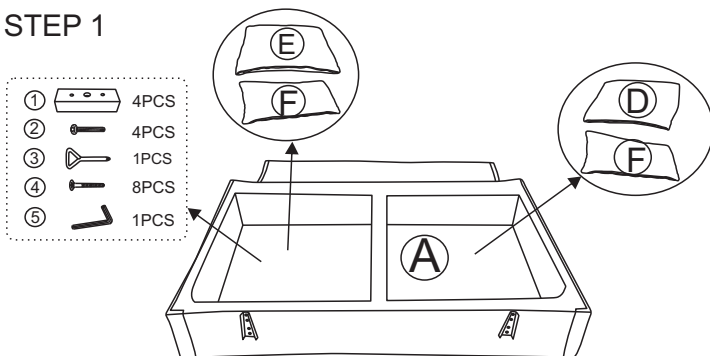
 <p>A X1</p>	 <p>B X1</p>	 <p>C X1</p>	 <p>D X1</p>	 <p>E X1</p>
 <p>F X2</p>	 <p>G X2</p>			

## HARDWARE LIST

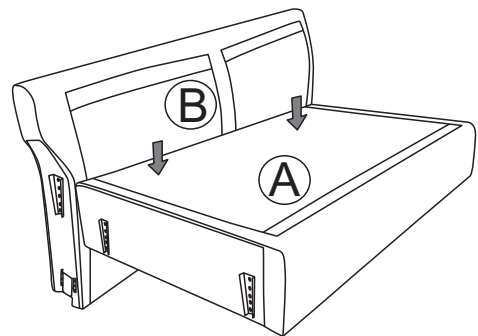
 <p>1 X4</p>	 <p>2 X4</p>	 <p>3 X1</p>	 <p>4 X8</p>	 <p>5 X1</p>
---	---	---	---	---

## ASSEMBLY FOLLOW BELOW STEPS

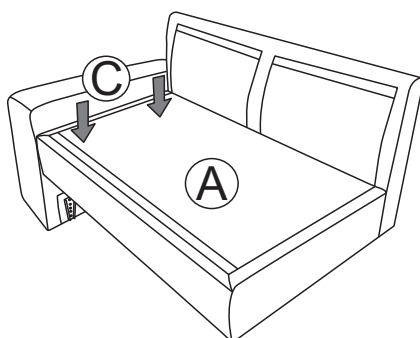
### STEP 1



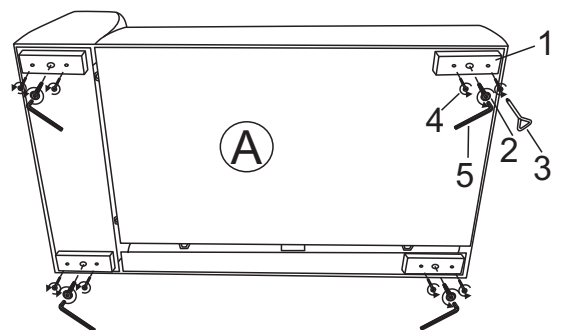
### STEP 2



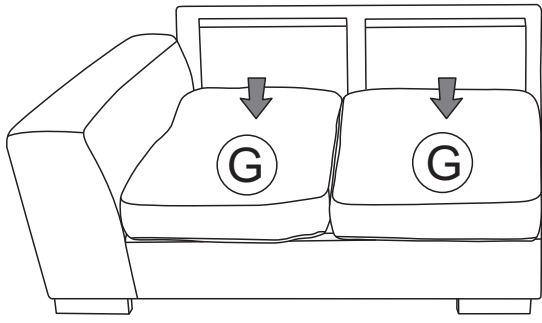
### STEP 3



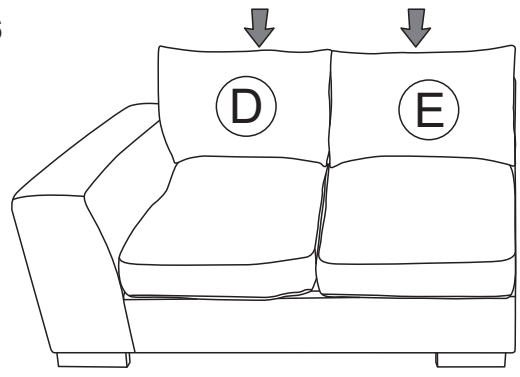
### STEP 4



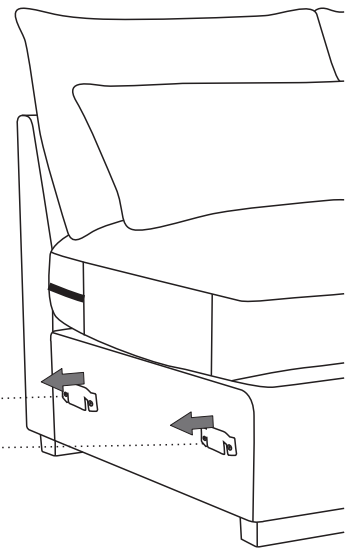
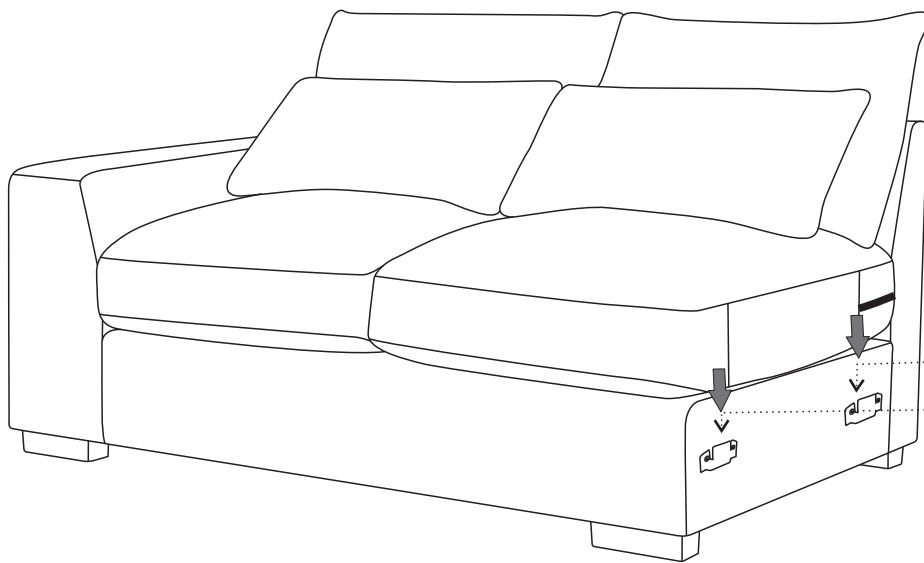
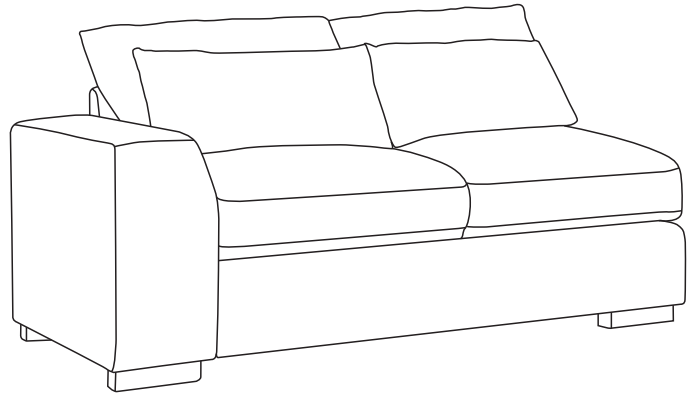
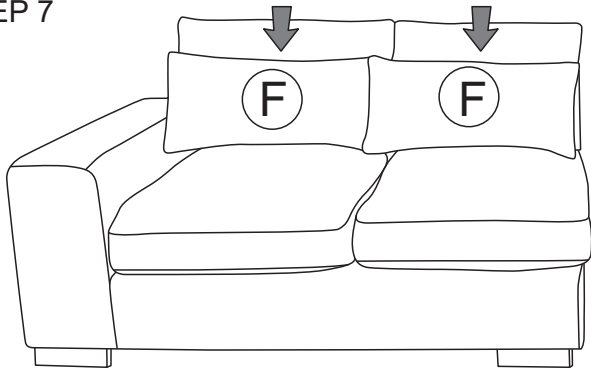
STEP 5



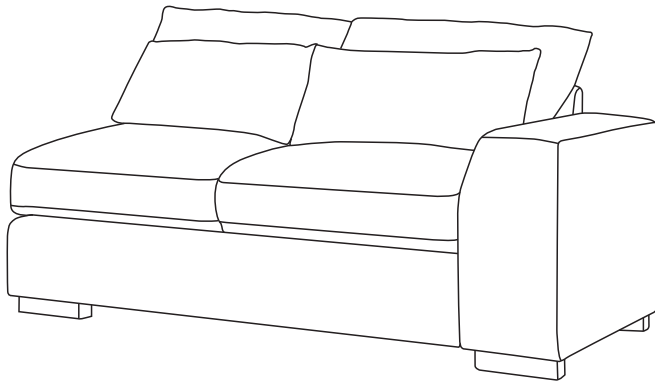
STEP 6



STEP 7



# ASSEMBLY INSTRUCTION



## PART LIST

<p>A X1</p>	<p>B X1</p>	<p>C X1</p>	<p>D X1</p>	<p>E X1</p>
<p>F X2</p>	<p>G X2</p>			

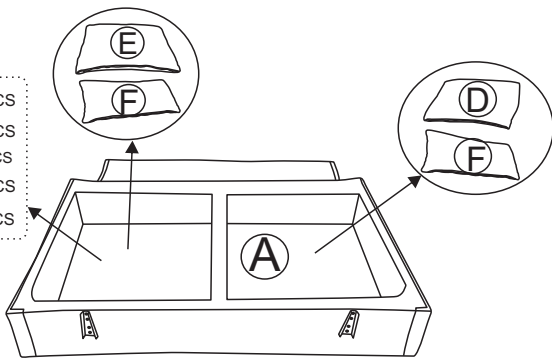
## HARDWARE LIST

<p>1 X4</p>	<p>2 X4</p>	<p>3 X1</p>	<p>4 X8</p>	<p>5 X1</p>
-------------	-------------	-------------	-------------	-------------

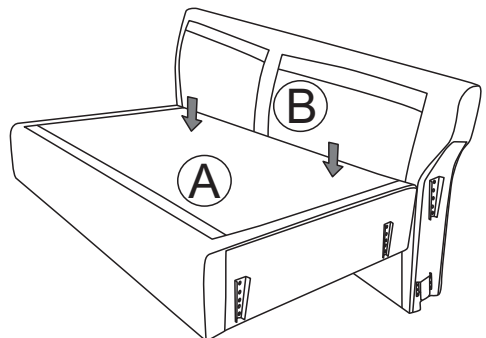
## ASSEMBLY FOLLOW BELOW STEPS

### STEP 1

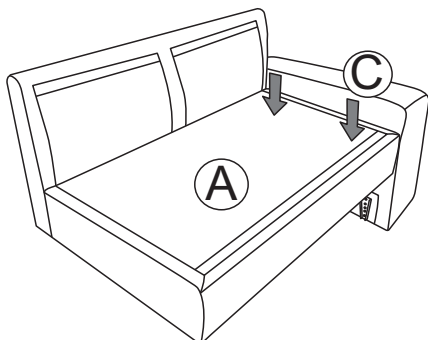
- ① 4PCS
- ② 4PCS
- ③ 1PCS
- ④ 8PCS
- ⑤ 1PCS



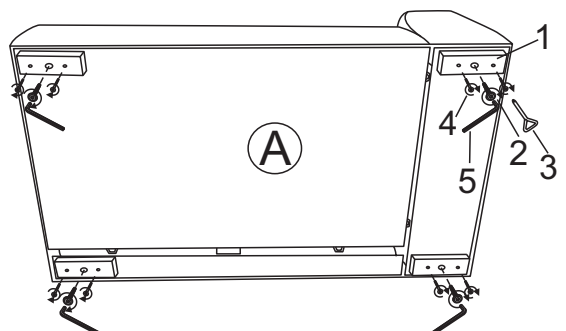
### STEP 2



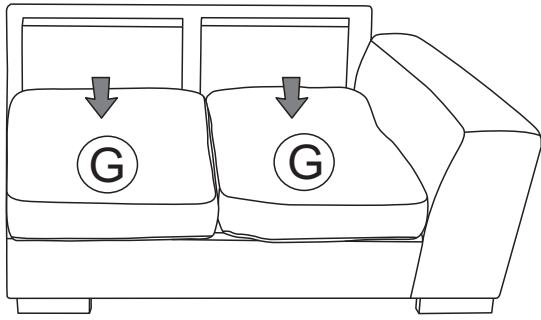
### STEP 3



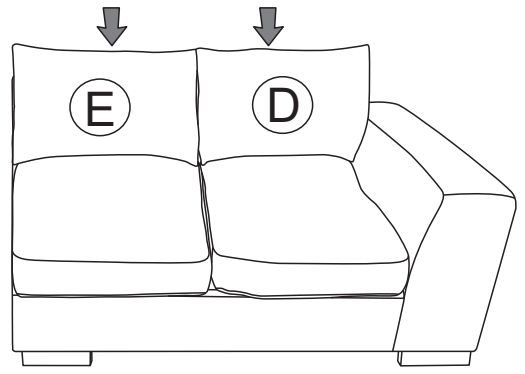
### STEP 4



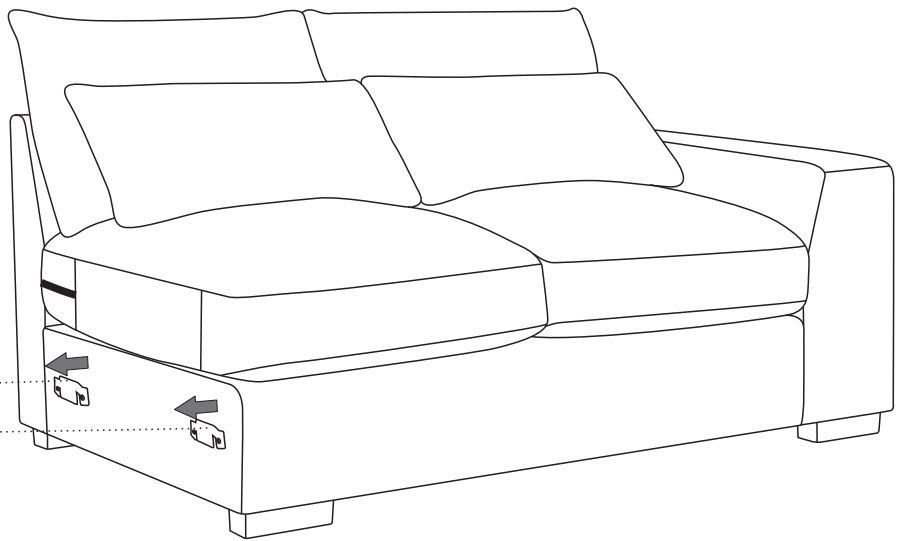
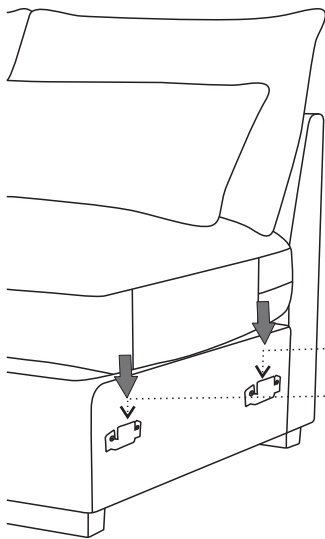
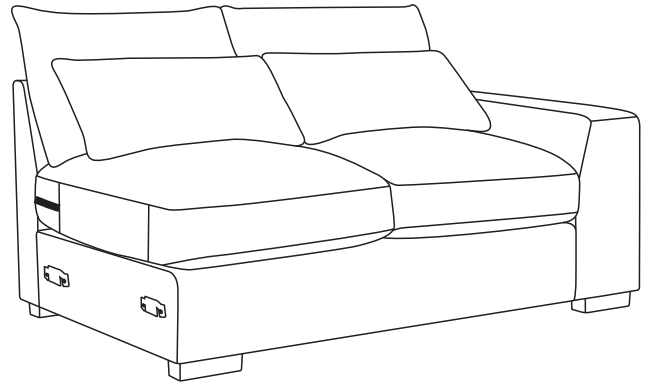
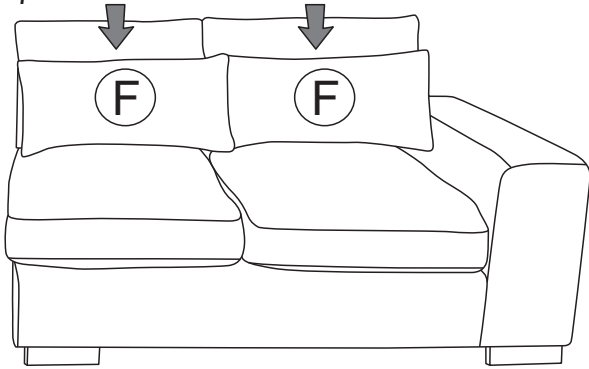
STEP 5



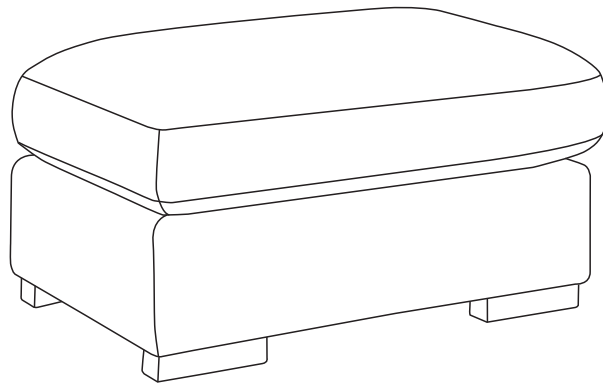
STEP 6



STEP 7



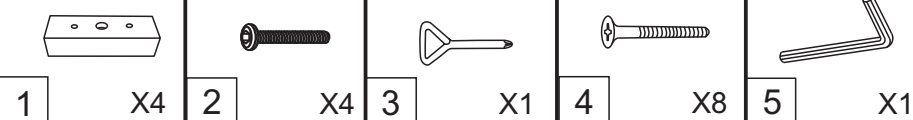
# ASSEMBLY INSTRUCTION



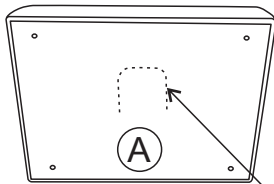
## PART LIST








## HARDWARE LIST

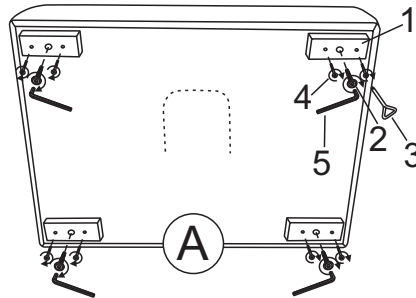


## ASSEMBLY FOLLOW BELOW STEPS

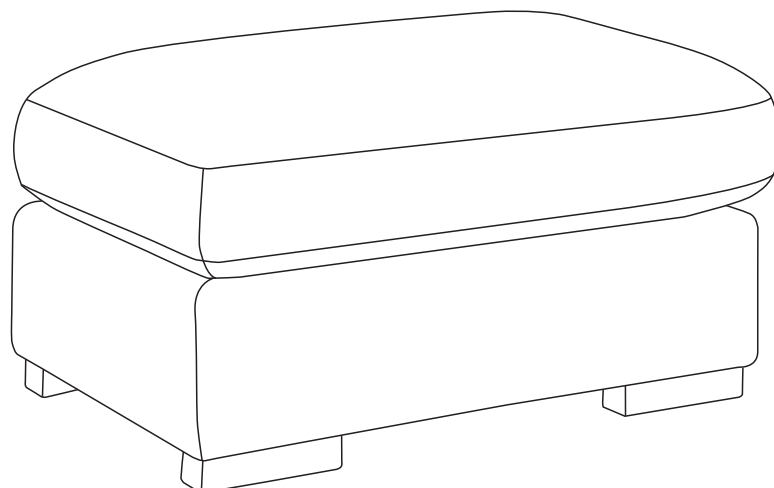
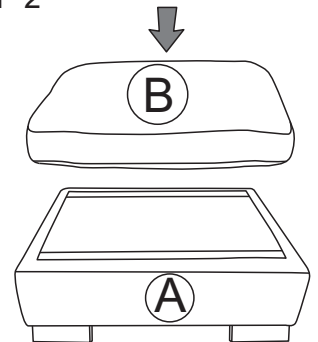


- ①  4PCS
- ②  4PCS
- ③  1PCS
- ④  8PCS
- ⑤  1PCS

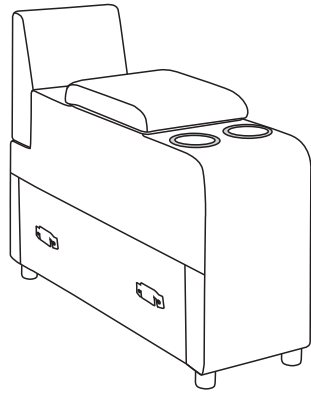
### STEP 1



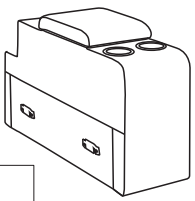
### STEP 2



# ASSEMBLY INSTRUCTION

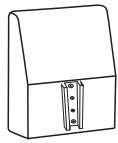


## PARTS LIST



**A**

X1



**B**

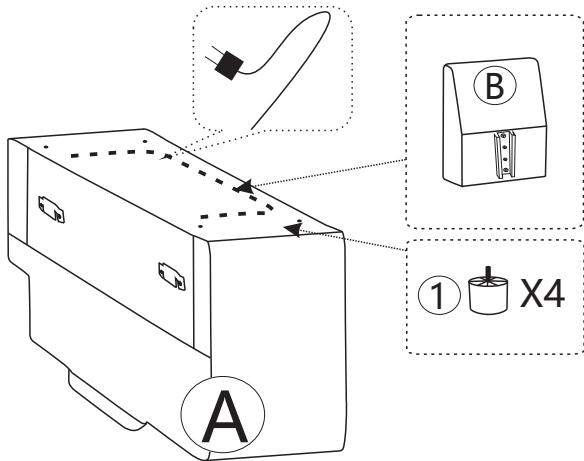
X1

## HARDWARE LIST

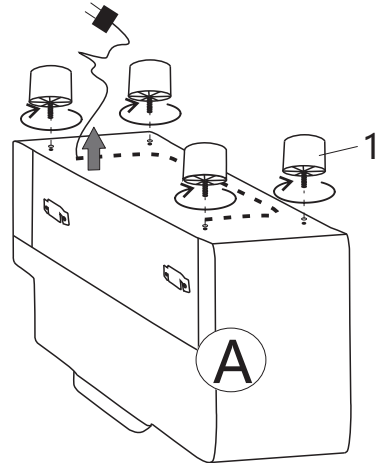


1

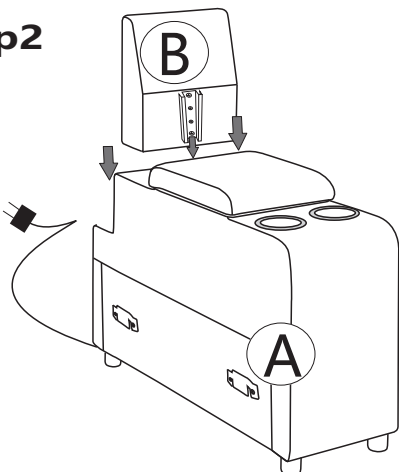
X4



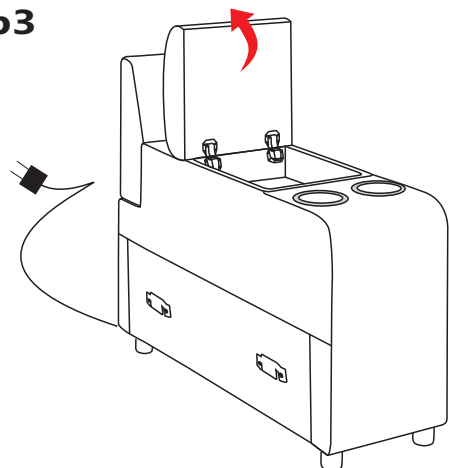
**Step1**



**Step2**



**Step3**



# Step4

