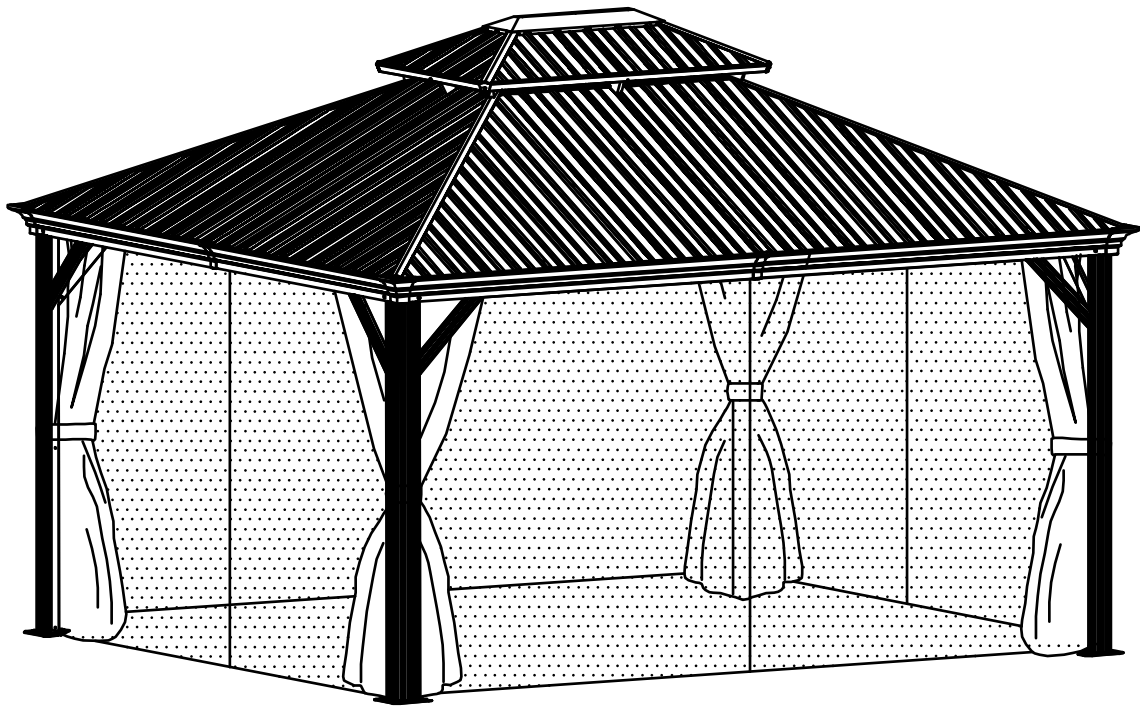




12'X14' METAL PATIO GAZEBO WITH DOUBLE ROOF

ASSEMBLY MANUAL



MODEL#: LGMF1554C

Missing part? Damaged? Contact us via email at

service@domioutdoorliving.com

www.domioutdoorliving.com

Pre-assembly



1. Two or more people are required for assembly.



2. You will need one or more stepladders.



3. Wearing protective gloves is recommended.



4. You may need a safety hat.



5. Please use a Phillips screw driver.



6. For ease of construction, you may need a drill.



7. You may need a safety goggle.



8. Do not fully tighten screws prior to complete assembly.

Warning & Attention

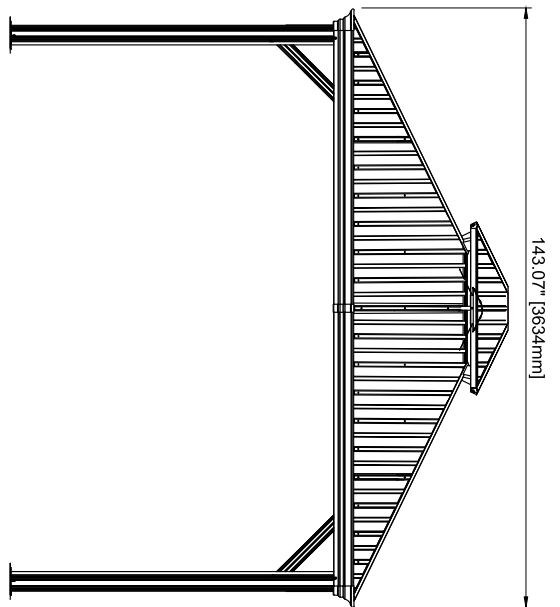
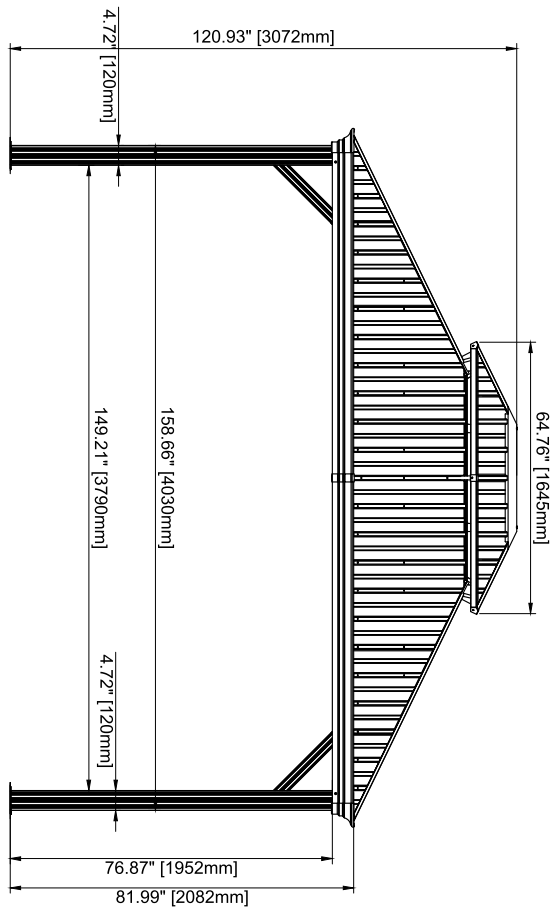
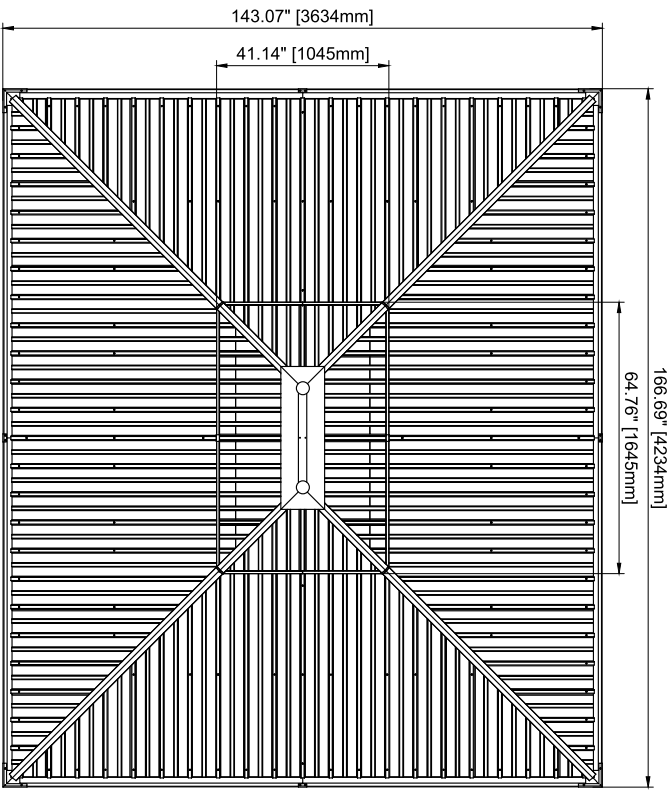
-Try to assemble this product on the flat ground, otherwise it is difficult to carry out;

-It would be much easier to assemble the product with three or more people;

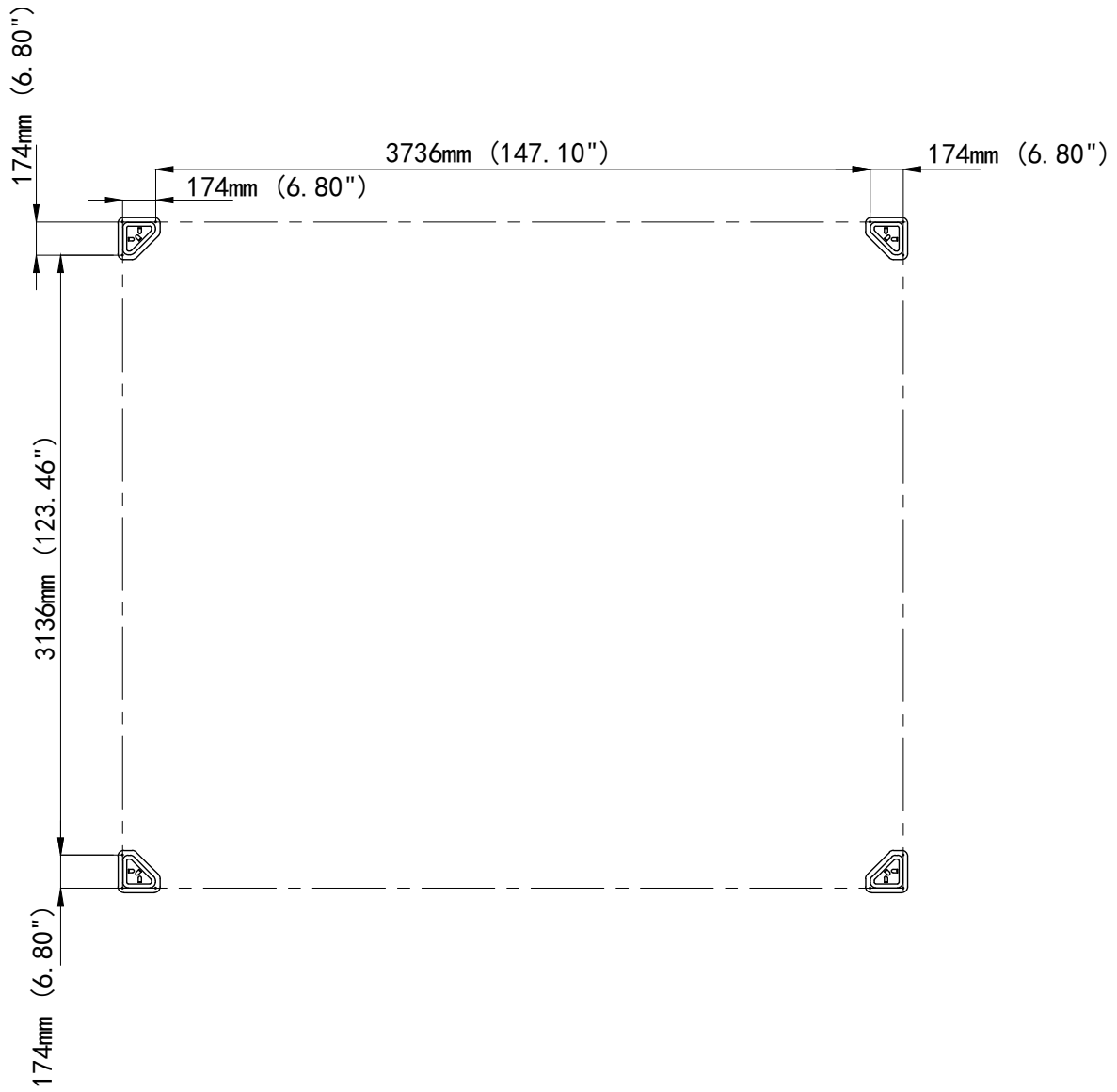
-After assembly, please check whether all screws are tightened, to prevent parts from falling apart.

▲ Use bolts to secure the frame to the ground to against the strong wind.

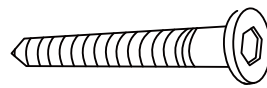
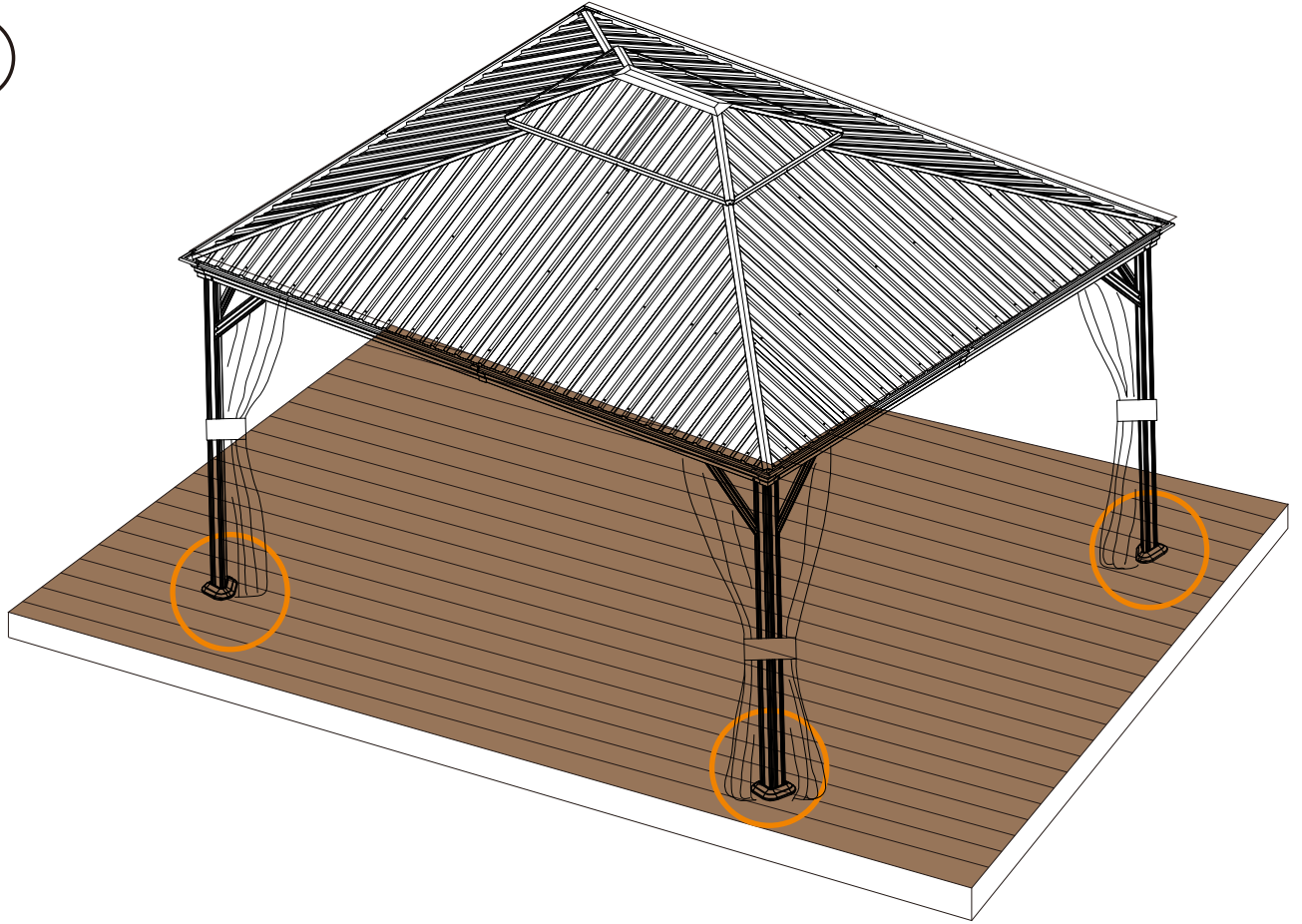
IMPORTANT: A gaze may entail to purchase a municipal permit or be subject to specific building codes. It is the consumer's responsibility to inform themselves of any restrictions.



MOUNTING BLUEPRINT Gazebo 12' × 14'

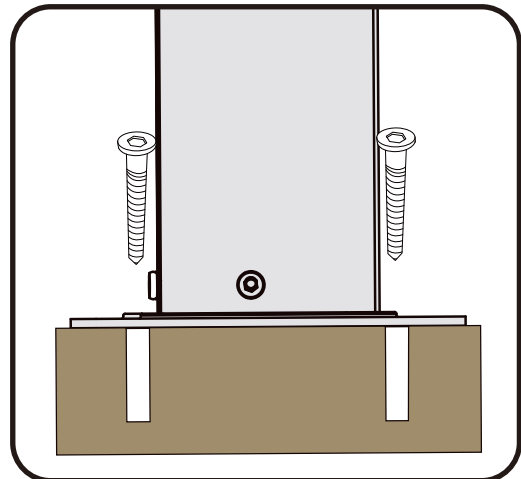
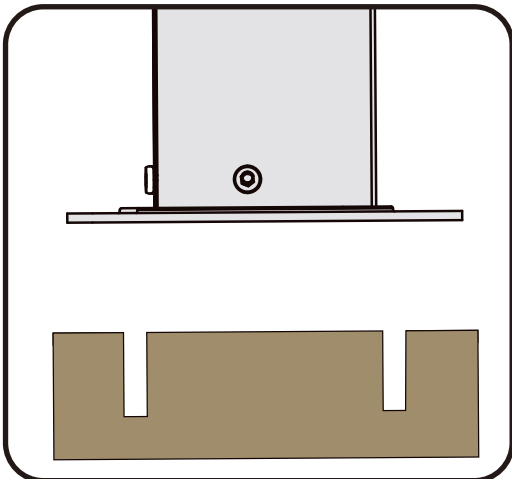


1

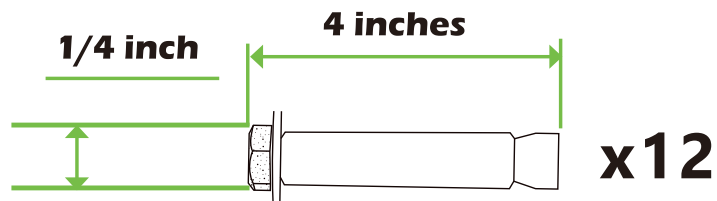
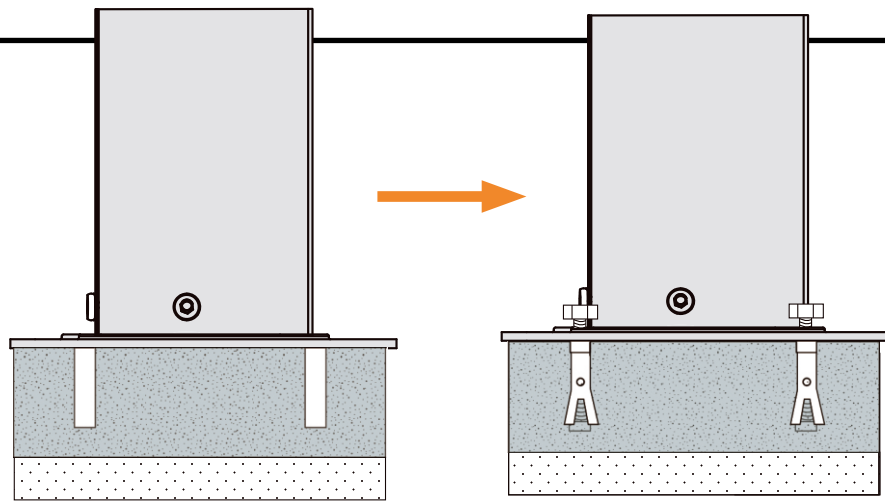


x12

If the deck is hard wood and the depth of it is over 3 inch, you can use **5/16 in. x4 in. Structural Wood Screw** to mount the gazebo.

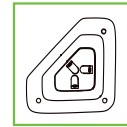
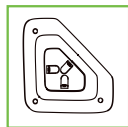
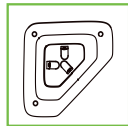


2



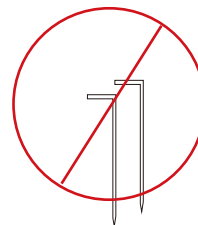
If the ground is concreted and the depth of it is over 3 inch, you can use 1/4 inch expansion bolts to mount the gazebo

3



Or you can make a concrete footing for gazebo, **15×15×15 inches** is recommended. use expansion bolts to mount the pergola like ② shows.

IMPORTANT:
Anchor is not recommended





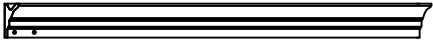
Pole

A (x4)



Sidewall Track

D2 (x2)



Beam

B (x2)



Beam

E (x2)



Gap Cover

B1 (x2)



Gap Cover

E1 (x2)



Sidewall Track

B2 (x2)



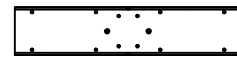
Sidewall Track

E2 (x2)



Beam

C (x2)



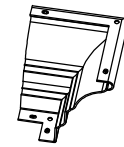
Union Bar

F (x4)



Gap Cover

C1 (x2)



Corner
Cover

G (x4)



Sidewall Track

C2 (x2)



Joint Cover

H (x4)



Beam

D (x2)



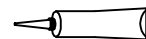
Joint Cover

H1 (x4)




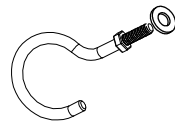

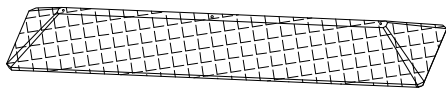
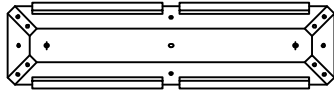

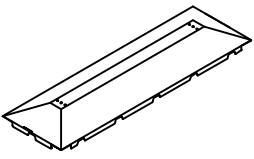





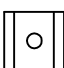
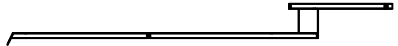




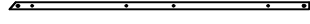
Gap Cover

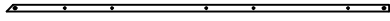
D1 (x2)



Silicone
Sealant

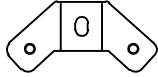
H2 (x1)

 <p>Corner Solidifying Bar</p> <p>J1 (x4)</p>	 <p>Hooks</p> <p>Q4 (x2)</p>
 <p>Corner Solidifying Bar</p> <p>J2 (x4)</p>	 <p>Small Mesh</p> <p>O (x1)</p>
 <p>Inside Roof Cover</p> <p>K (x1)</p>	 <p>Plastic Bar</p> <p>O1 (x2)</p>
 <p>Outside Roof Cover</p> <p>K1 (x1)</p>	 <p>Plastic Bar</p> <p>O2 (x2)</p>
 <p>Base</p> <p>L (x4)</p>	 <p>Finishing End</p> <p>R (x8)</p>
<p>Corner Roof Tube Mb (x4)</p>  <p>Ma (x4)</p>  <p>M (x4)</p>	 <p>Black Rubber</p> <p>S (x128)</p>
 <p>Roof Tube</p> <p>N (x4)</p>	 <p>Finishing Bar</p> <p>T1 (x2)</p>
 <p>Finishing Bar</p> <p>P (x2)</p>	 <p>Finishing Bar</p> <p>T2 (x2)</p>
 <p>Finishing Bar</p> <p>Q (x2)</p>	 <p>Solidifying Bar</p> <p>U1 (x4)</p>



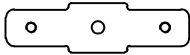
Solidifying Bar

U2 (x4)



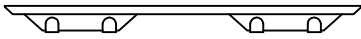
Bracket

U3 (x4)



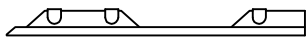
Bracket

U4 (x4)



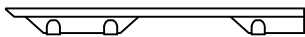
Plastic Clips

Z (x72)



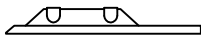
Plastic Clips

Z1 (x6)



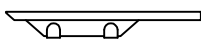
Plastic Clips

Z2 (x6)



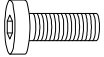
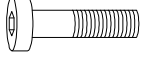
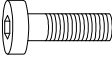
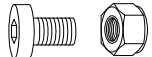
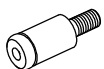
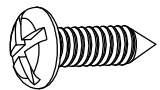
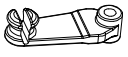
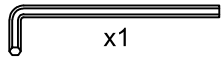
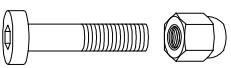

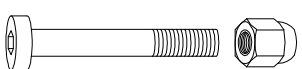
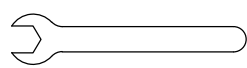
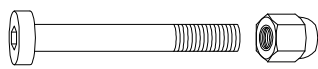
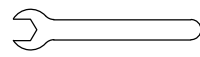
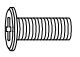

Plastic Clips

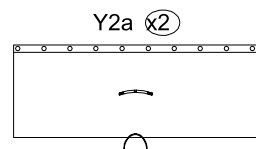
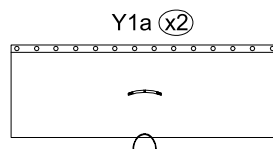
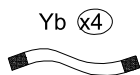
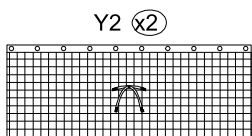
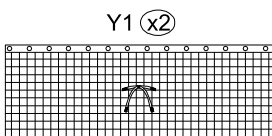
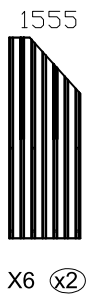
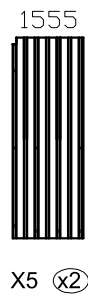
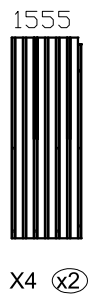
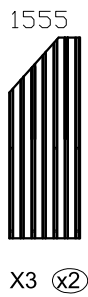
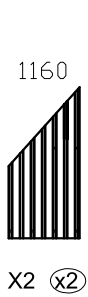
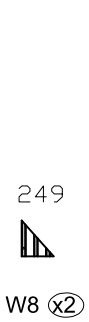
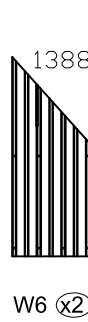
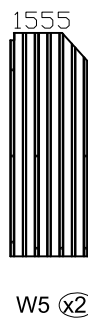
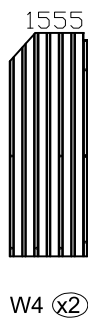
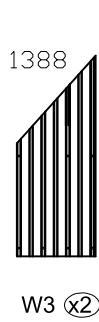
Z3 (x2)



Plastic Clips

Z4 (x2)

 <p>M6x16</p> <p>1# x209</p>	 <p>M6x25</p> <p>10# x4</p>
 <p>M6x20</p> <p>2# x24</p>	 <p>M6x12</p> <p>11# x12</p>
 <p>3# x16</p>	 <p>ST6.3*15</p> <p>12# x12</p>
 <p>Plastic Hooks</p> <p>4# x120</p>	 <p>x1</p> <p>Allen Key</p>
 <p>M6x28</p> <p>5# x80</p>	 <p>x1</p> <p>Allen Key</p>
 <p>M6x45</p> <p>6# x8</p>	 <p>x1</p> <p>Wrench</p>
 <p>M6x50</p> <p>7# x36</p>	 <p>x1</p> <p>Wrench</p>
 <p>M5x16</p> <p>8# x4</p>	
 <p>ST4.8 x13</p> <p>9# x24</p>	



Mosquito Netting

Strap

Solid Sidewall

Assemble the Poles:

Attach Part #L to Part #A with 3 Bolts #1.

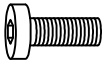
Repeat the above procedures to assemble the other 3 Poles #A.



A (x4)

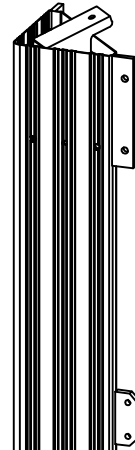
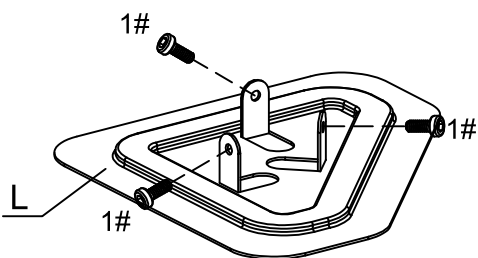
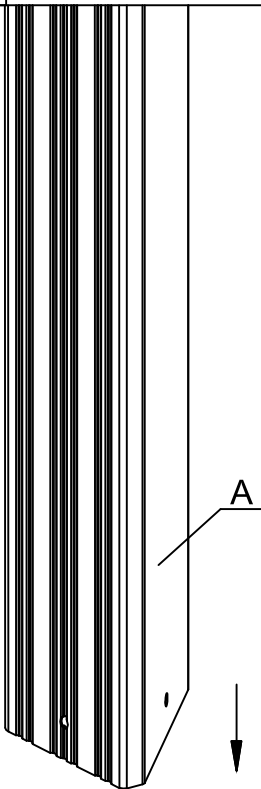


L (x4)

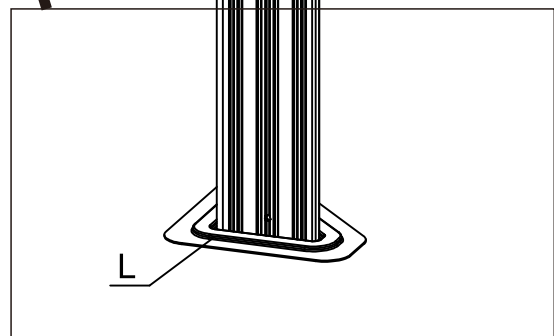


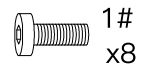
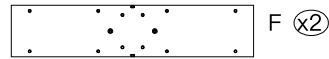
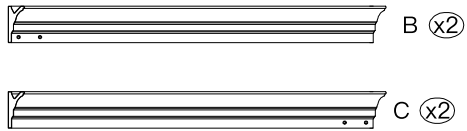
1#
x12

M6x16

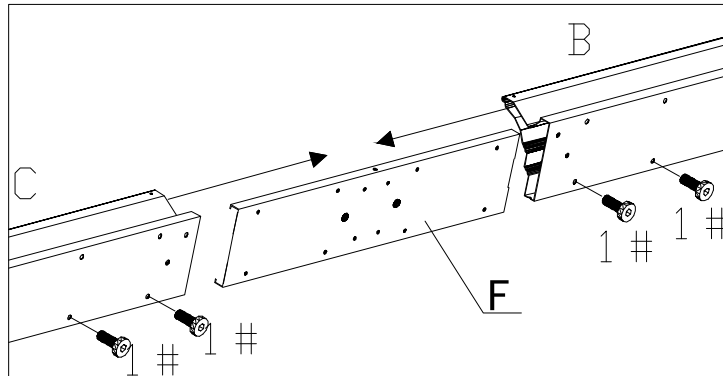


X4





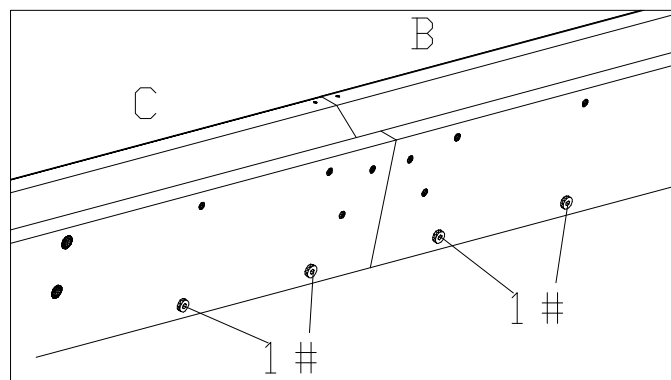
Assemble the Beams:



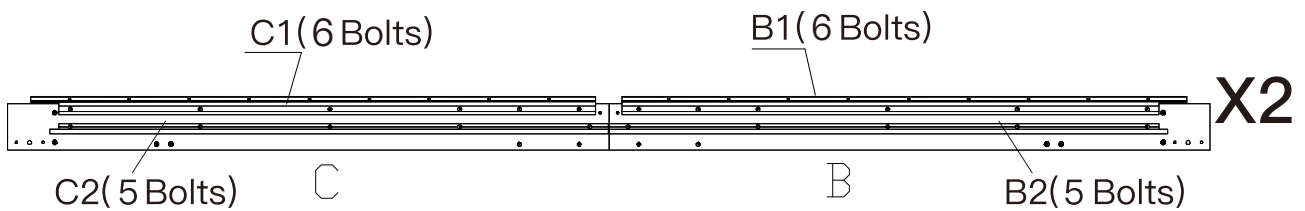
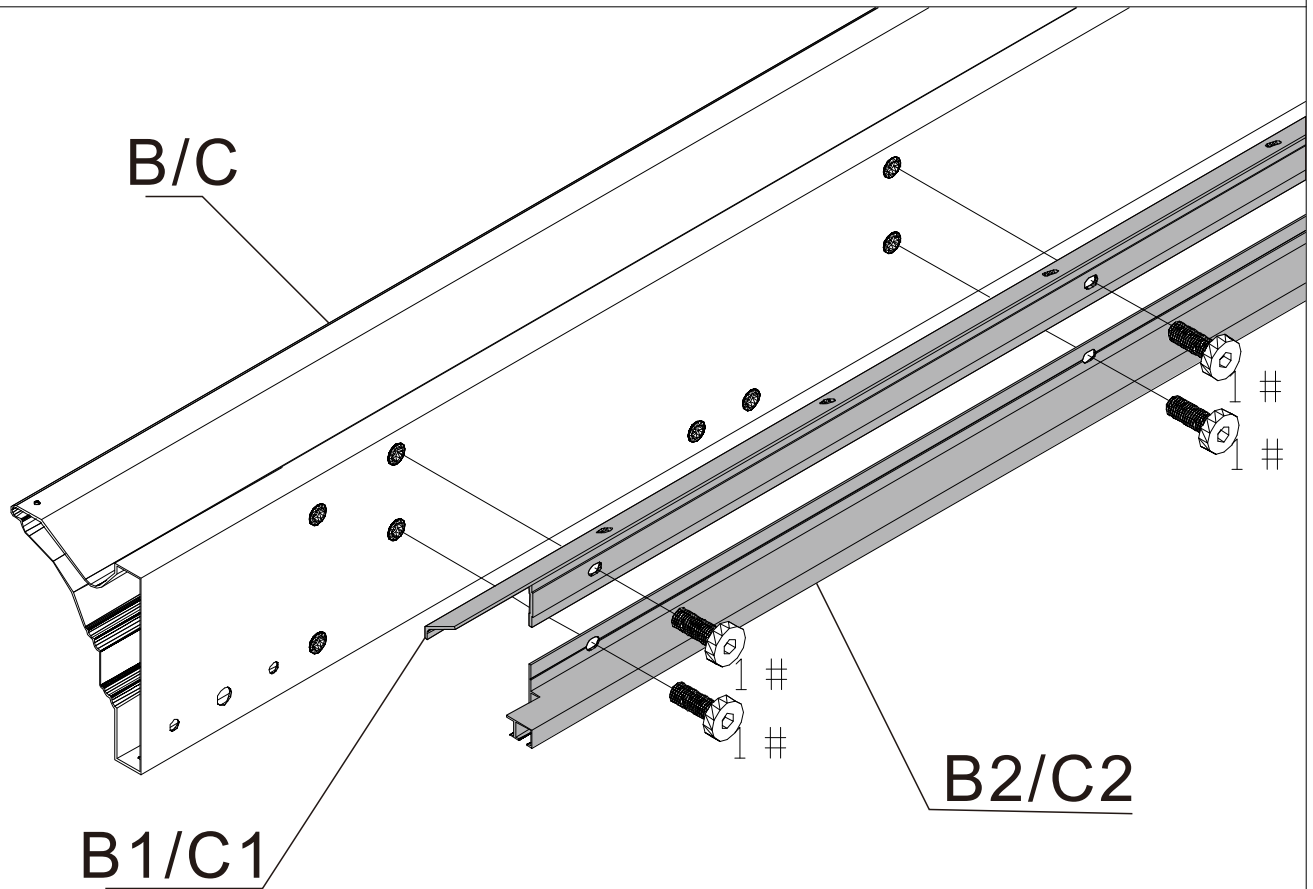
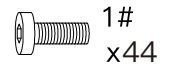
(1) Insert Union Bar #F into Beam #C, and secure with 2 Bolts #1.

(2) Insert the other side of Union Bar #F into Beam #B and secure with 2 Bolts #1.

Repeat the above procedures to assemble the other Beam #C and #B.



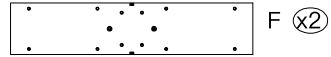
TIPS: It's a normal situation that there's a gap between the 2 beams, please use silicone sealant (part #H2) and Joint Cover #H to affix the gap.(see P9)



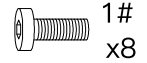
- (1) Use 6 Bolts #1 to secure the Gap Cover #C1 to the Beam #C as shown;
- (2) Use 5 Bolts #1 to secure the Track #C2 to the Beam #C as shown;
- (3) Use 6 Bolts #1 to secure the Gap Cover #B1 to the Beam #B as shown;
- (4) Use 5 Bolts #1 to secure the Track #B2 to the Beam #B as shown. Repeat the same steps to assemble the other Gap Covers (#B1, #C1) and Sidewall Tracks(#B2,#C2).



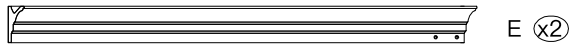
D (x2)



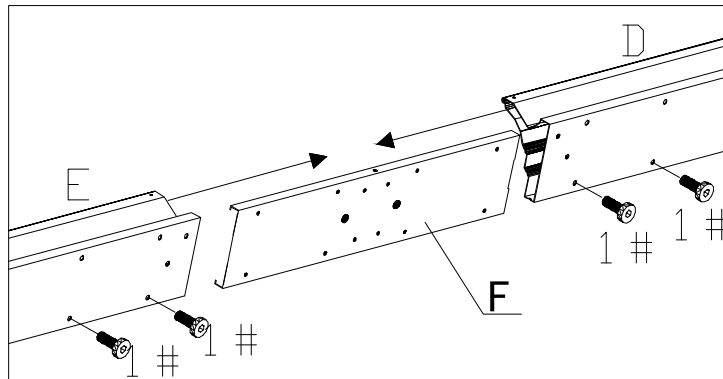
F (x2)



1#
x8



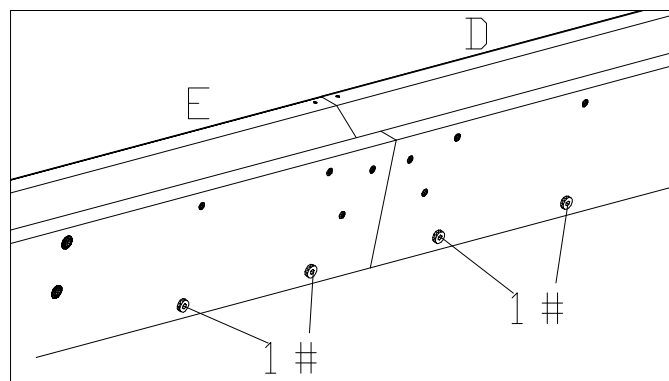
E (x2)



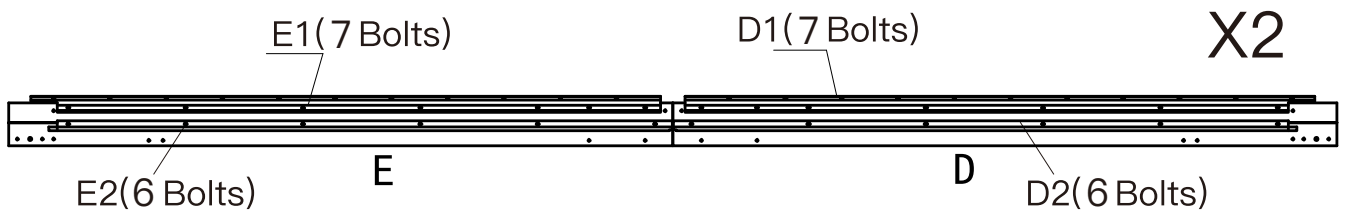
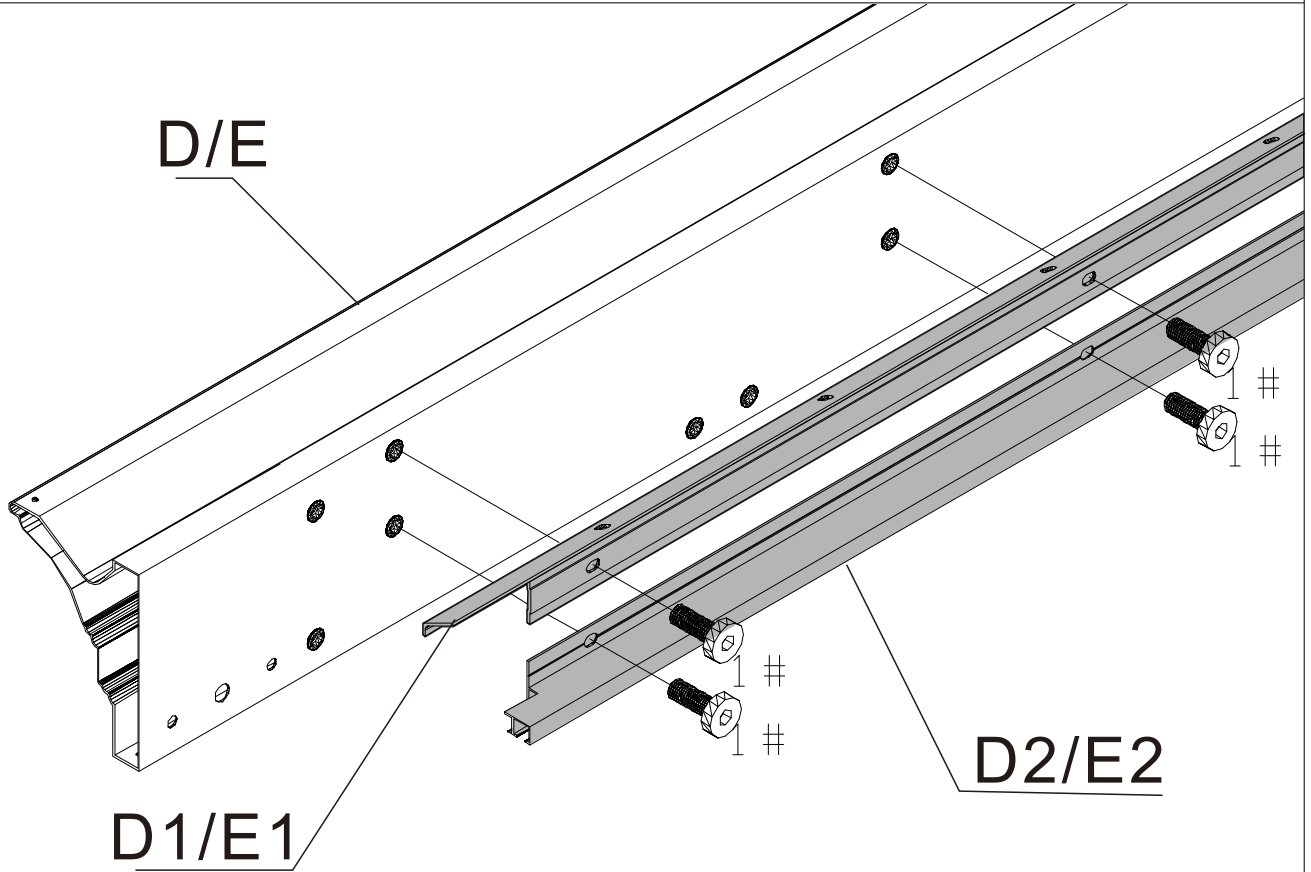
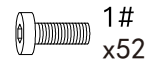
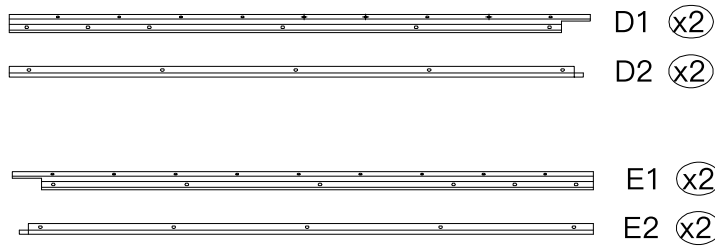
(1) Insert Union Bar #F into Beam #E, and secure with 2 Bolts #1.

(2) Insert the other side of Union Bar #F into Beam #D and secure with 2 Bolts #1.

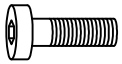
Repeat the above procedures to assemble the other Beam #E and #D.



TIPS: It's a normal situation that there's a gap between the 2 beams, please use silicone sealant (part #H2) and Joint Cover #H to affix the gap.(see P9)

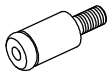


- (1) Use 6 Bolts #1 to secure the Gap Cover #E1 to the Beam #E as shown;
 - (2) Use 7 Bolts #1 to secure the Track #E2 to the Beam #E as shown;
 - (3) Use 6 Bolts #1 to secure the Gap Cover #D1 to the Beam #D as shown;
 - (4) Use 7 Bolts #1 to secure the Track #D2 to the Beam #D as shown.
- Repeat the same steps to assemble the other Gap Covers (#E1, #D1) and Sidewall Tracks (#E2, #D2).



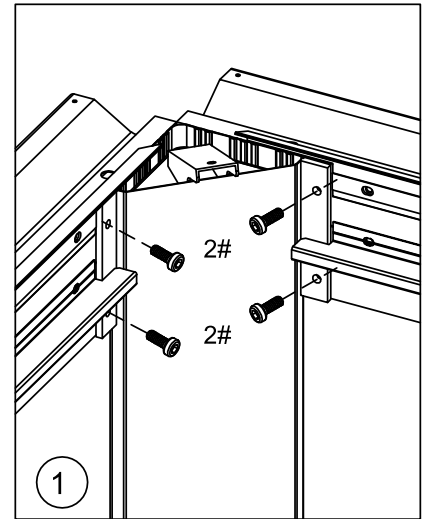
M6x20

2#
x16

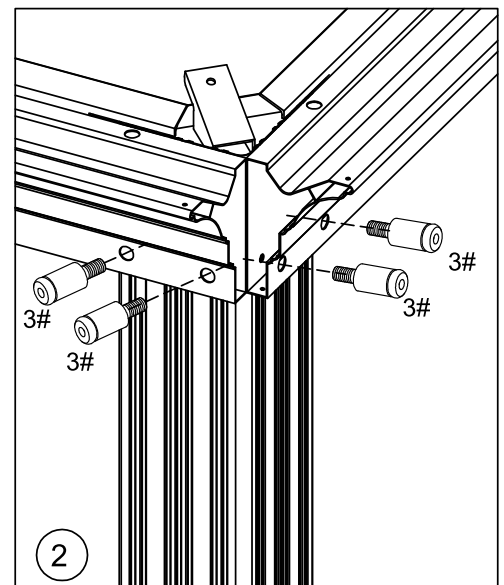
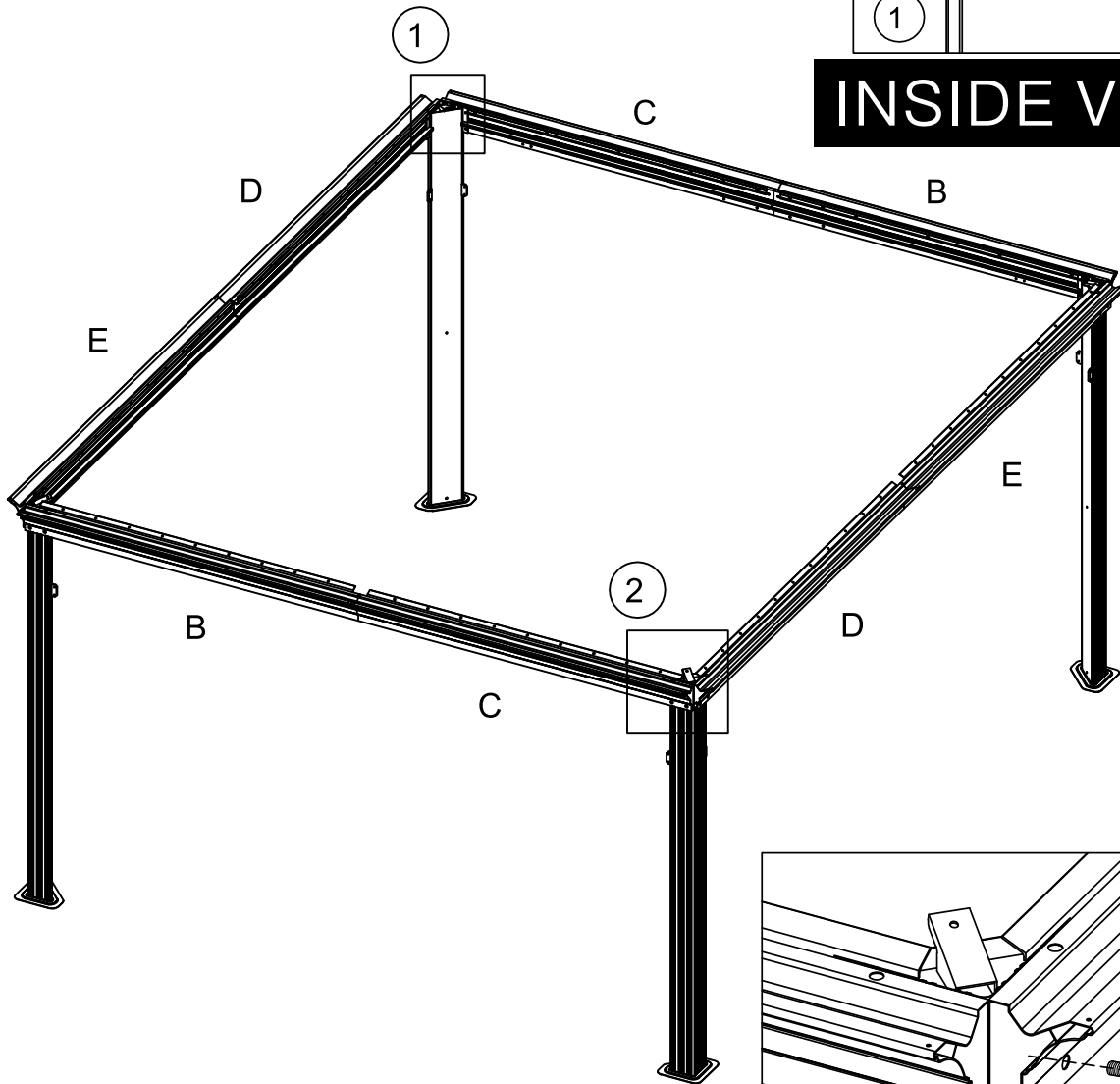


3#
x16

Assemble the Frame:



INSIDE VIEW



OUTSIDE VIEW

Please don't tighten all bolts.



J1 (x4)

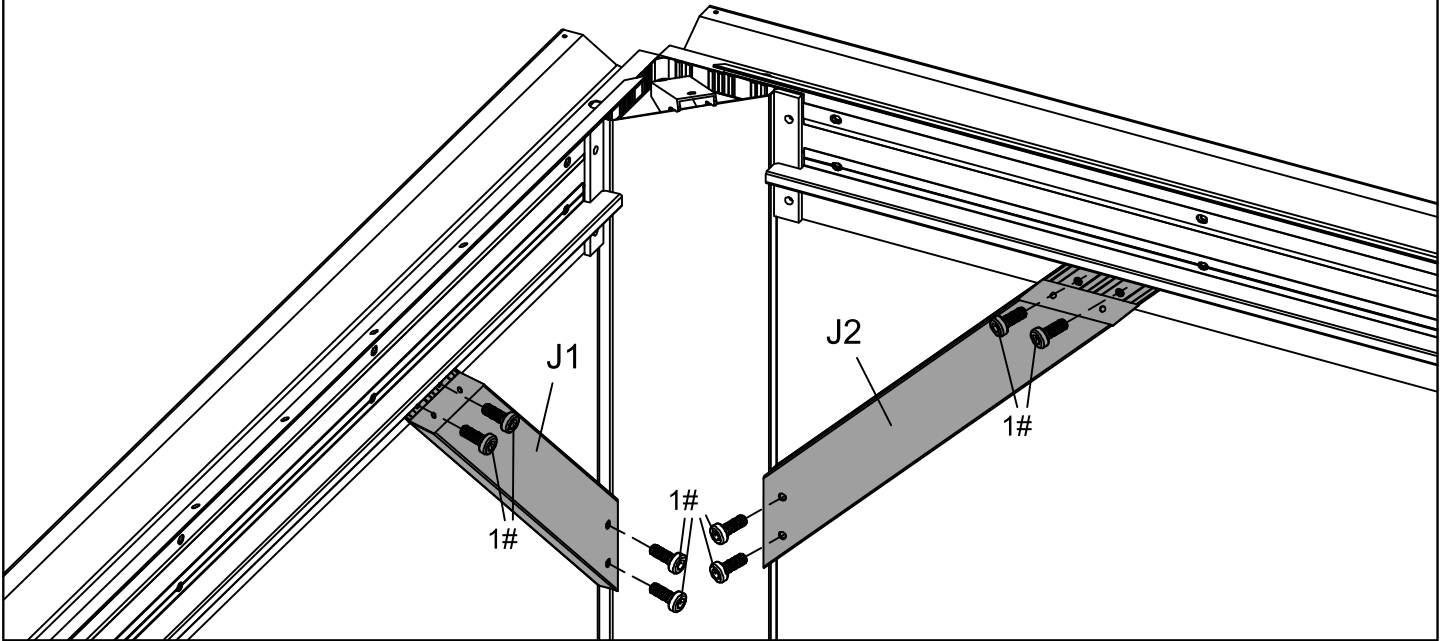


J2 (x4)



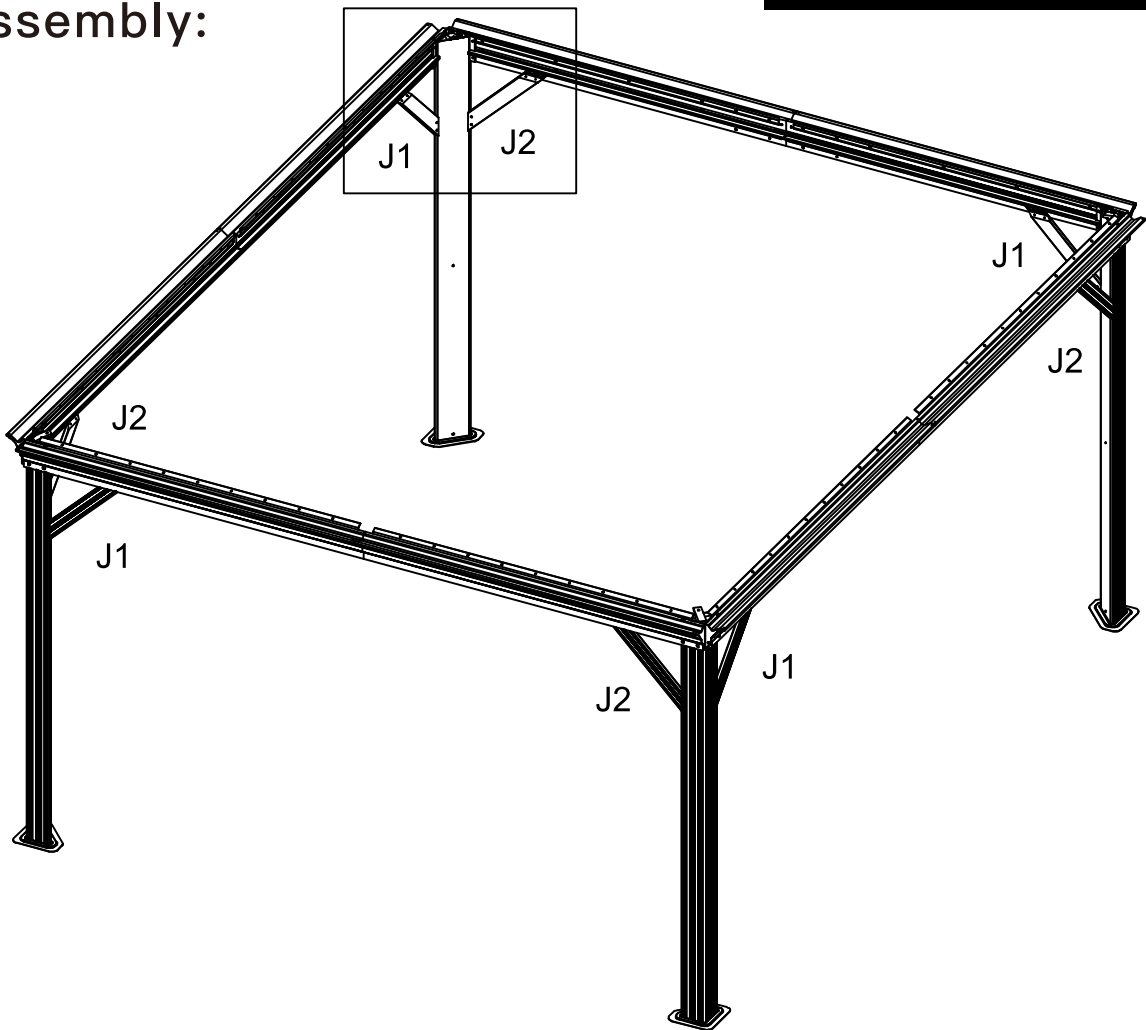
M6x16

1#
x32



Corner Solidifying
Bar Assembly:

INSIDE VIEW

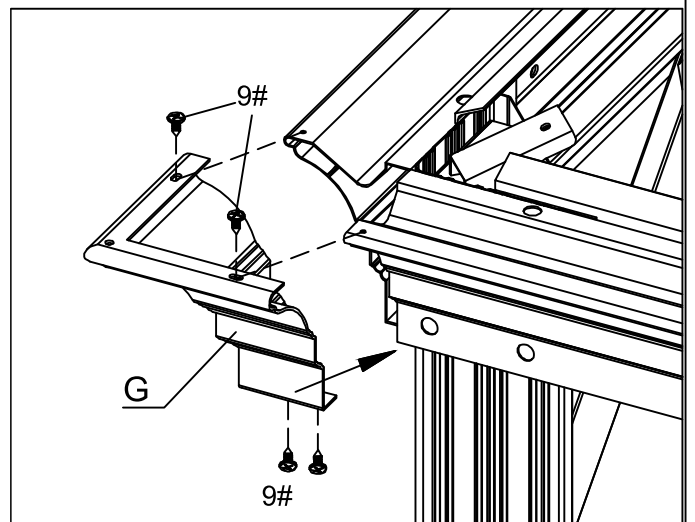
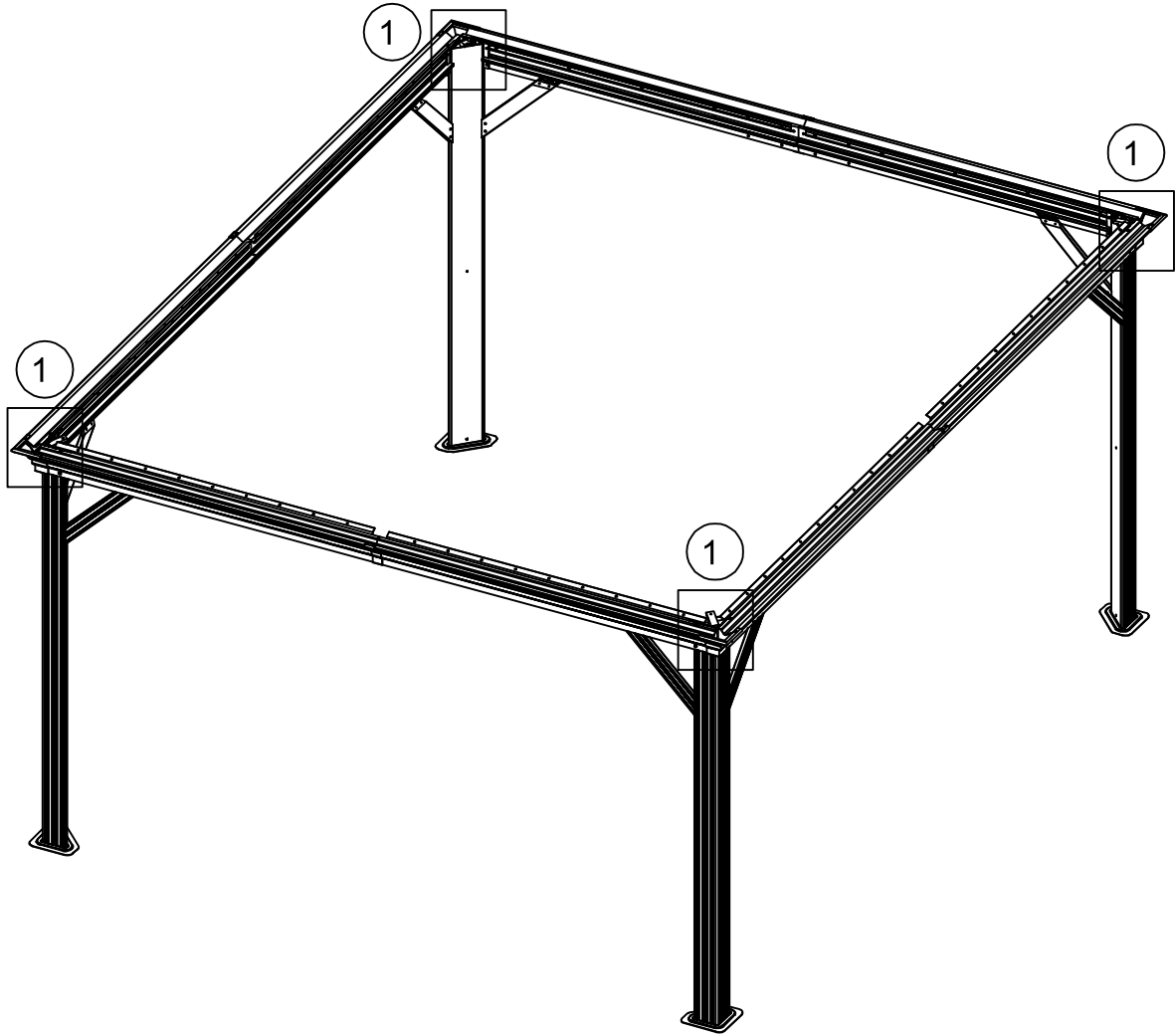




G (x4)

ST4.8 x13 9# x16

Corner Cover & Joint Cover Assembly:

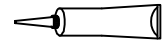




H (x4)

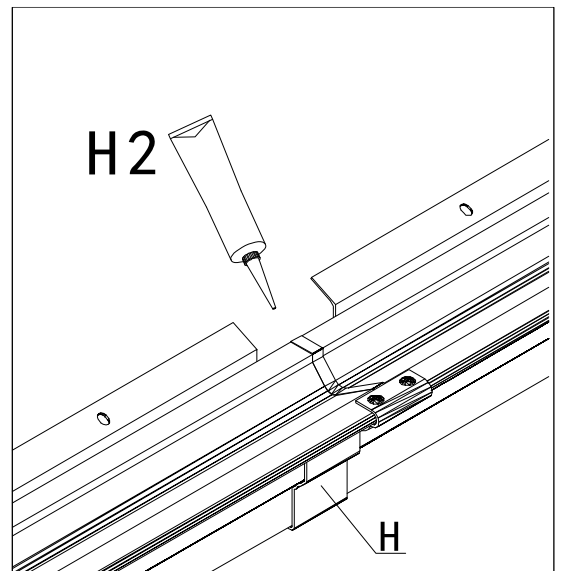
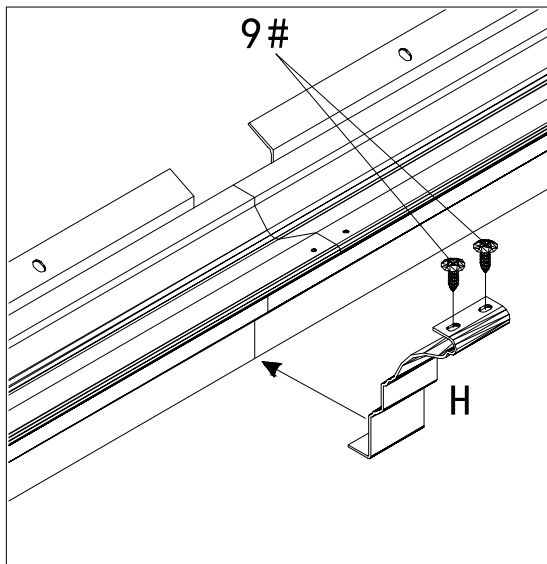
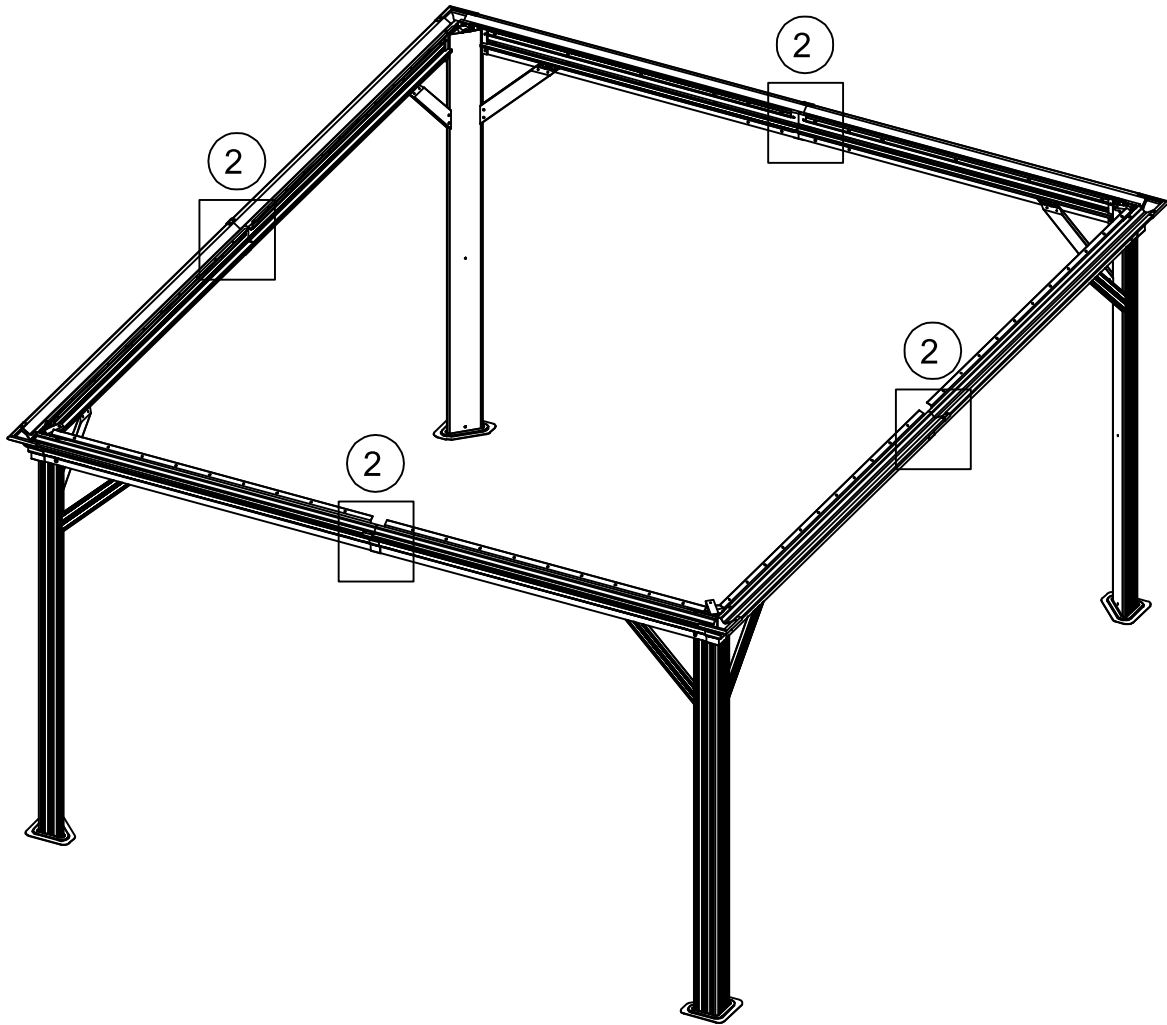


ST4.8 x13 9# x8



H2 (x1)

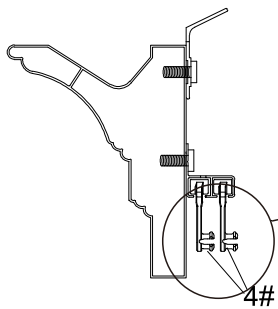
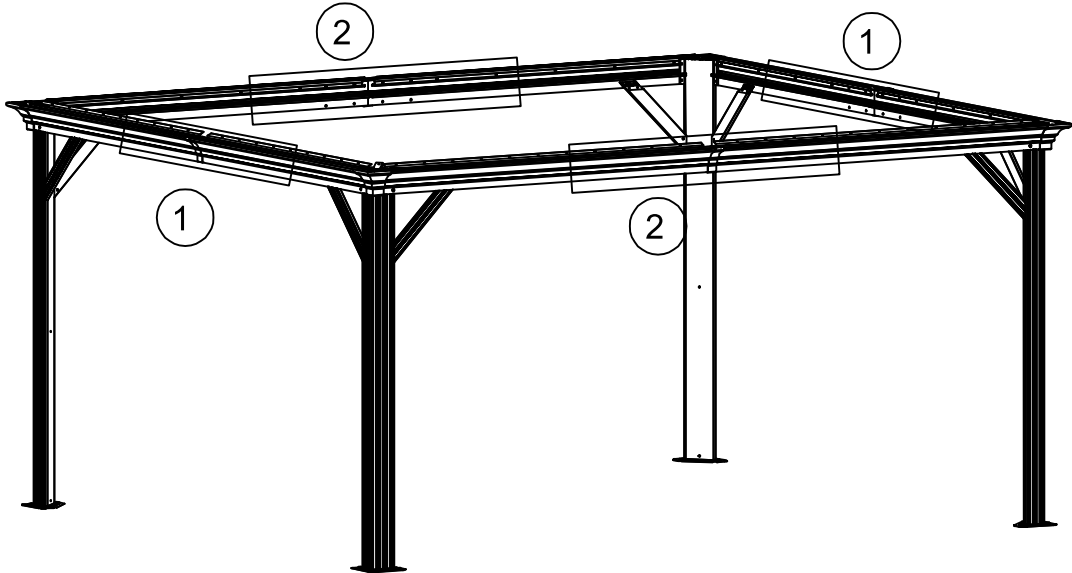
Use 5mm silicone sealant(part #H2) and Joint Cover #H to affix the gap.





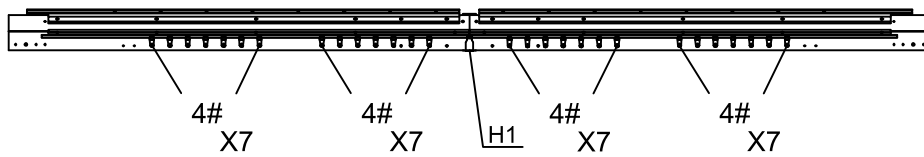
4#
x56

PLASTIC HOOKS ASSEMBLY



Double Track

(1) Slide the plastic hooks to the double-rail track #C2 & B2 (each slot should slide 7 plastic hooks).

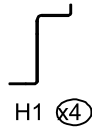


1

INSIDE VIEW



4#
x64

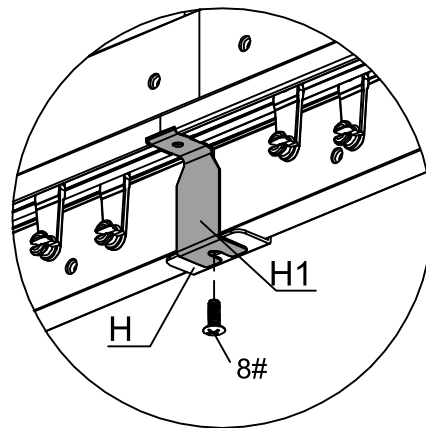
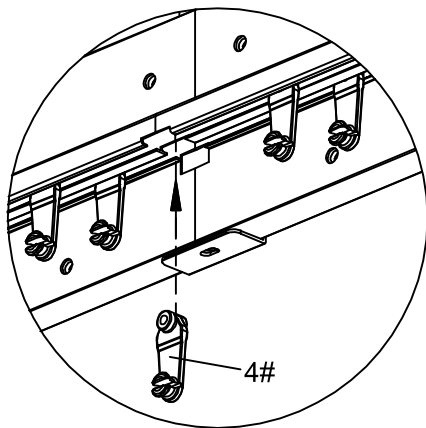
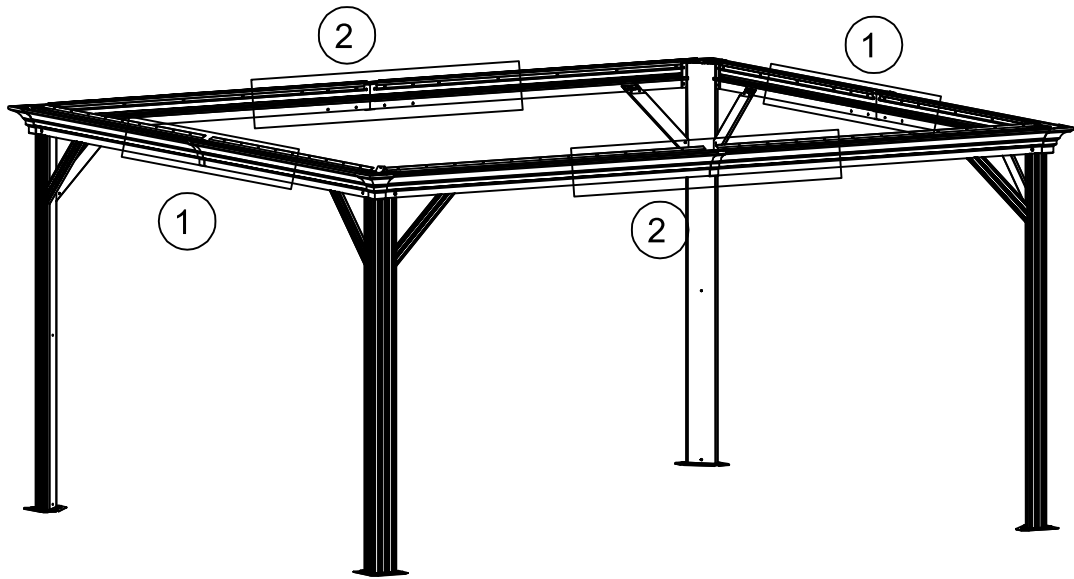


H1 x4

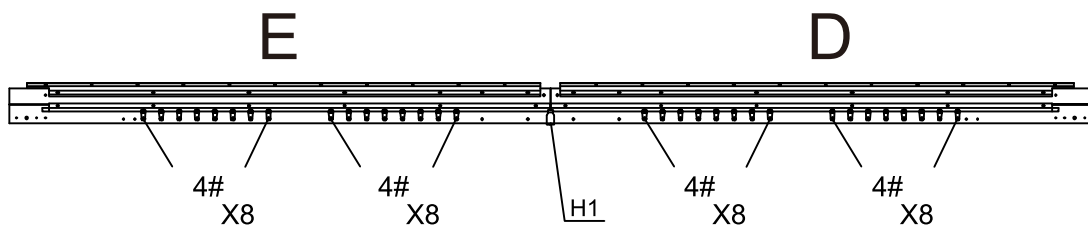


M5x16

8#
x4



- (1) Slide the plastic hooks to the double-rail track #E2 & #D2 (each slot should slide 8 plastic hooks).
- (2) Use 4 Bolts #8 to secure the Joint Cover #H & H1 to the beam.

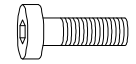


2

INSIDE VIEW

Mb x4

Ma x4

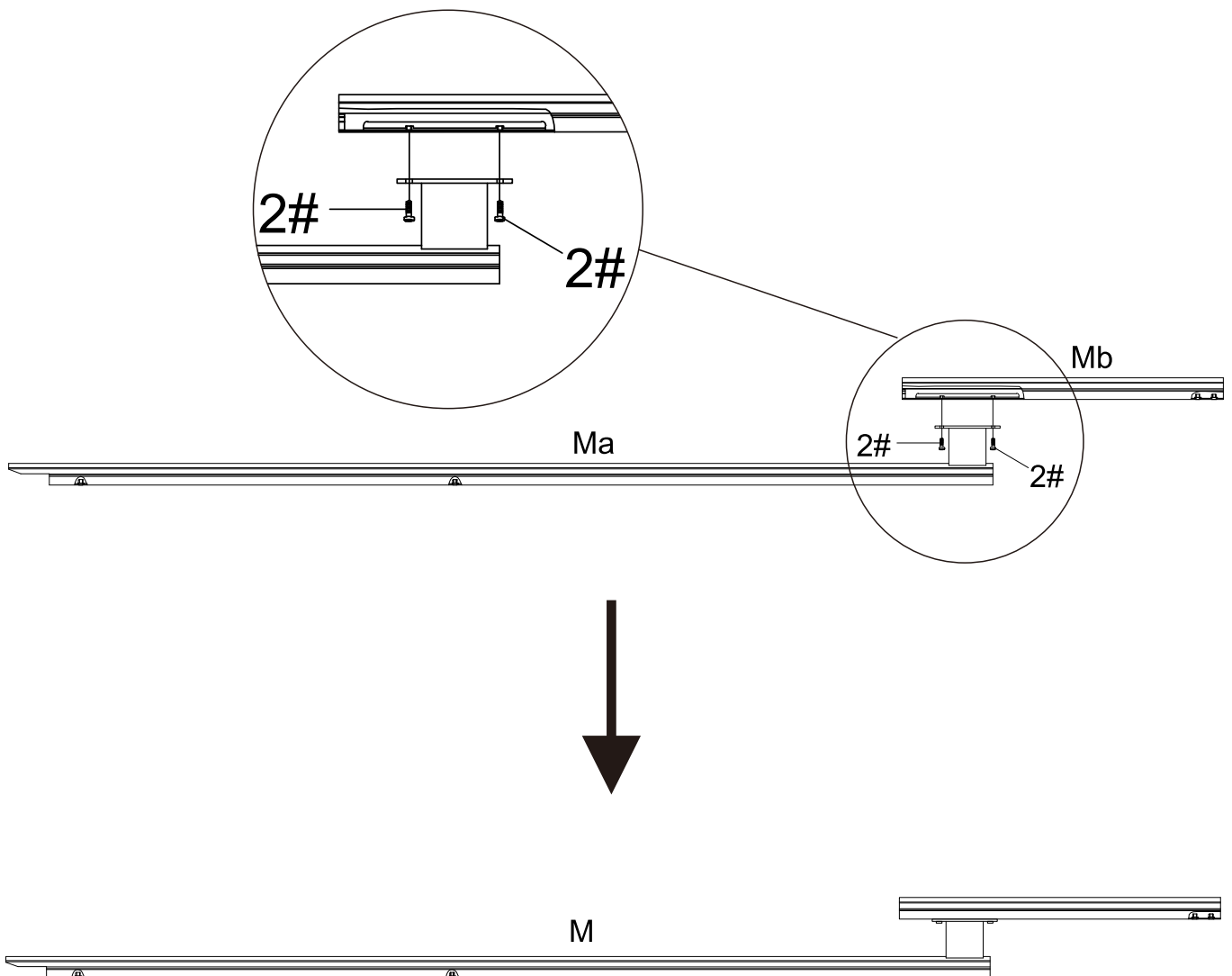


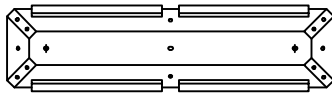
2#
x8

CORNER ROOF TUBE ASSEMBLY:

Connect Part #Ma and Part #Mb with 2 Bolts #2 to form a whole corner roof tube #M.

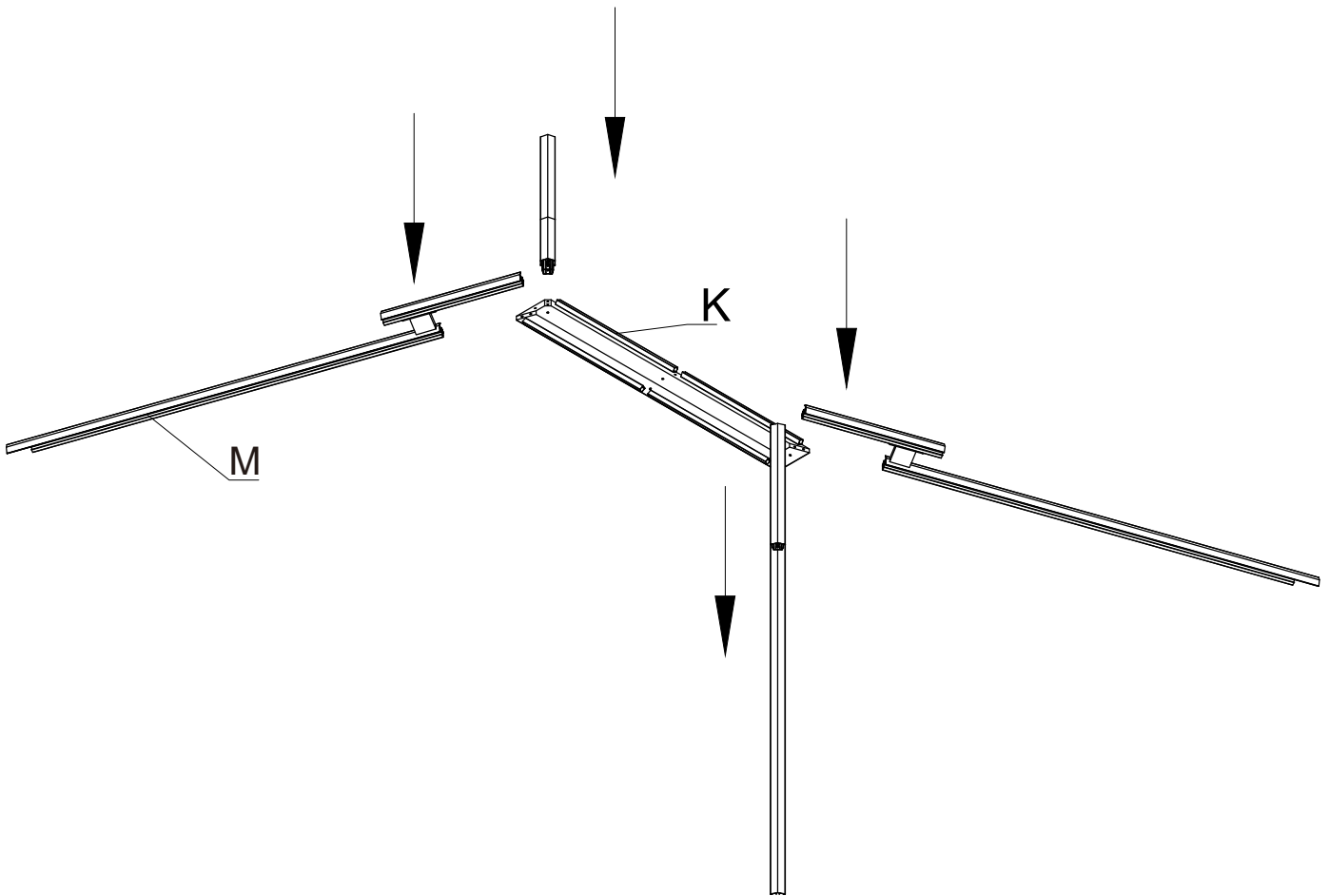
Repeat the above procedures to assemble the other 3 Corner Roof Tubes #M.

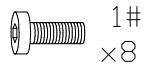




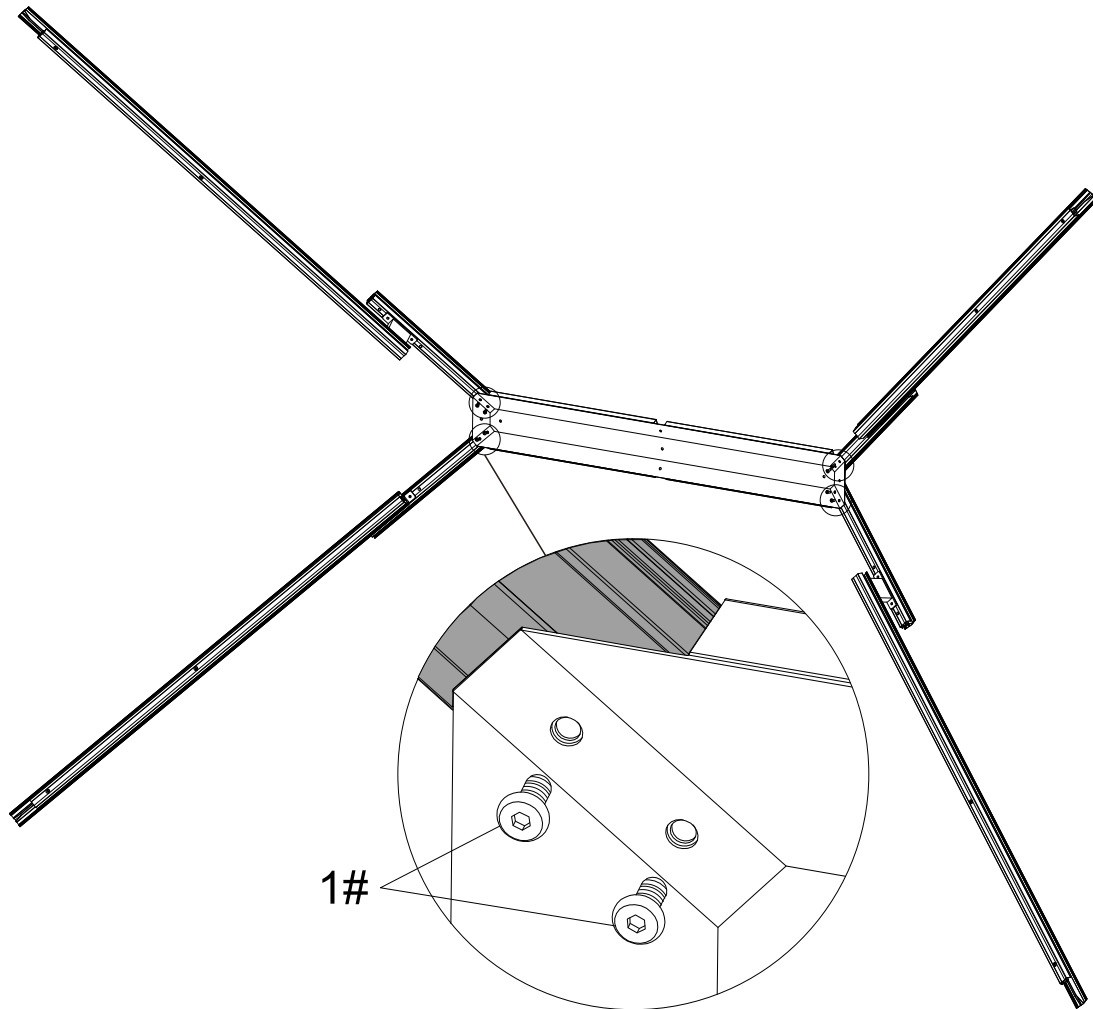
K (x1)

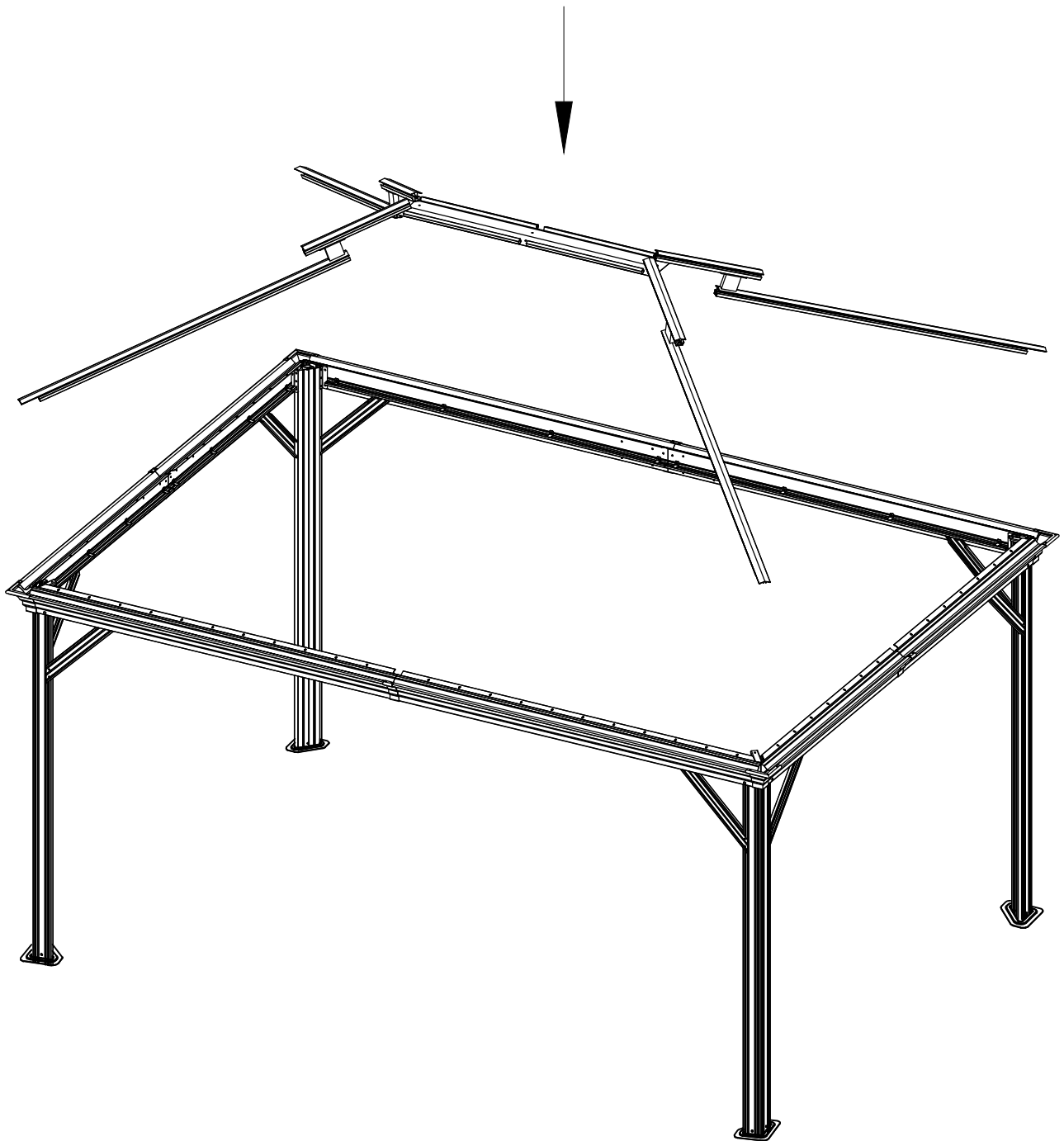
CORNER ROOF TUBE AND INSIDE ROOF CONNECTOR ASSEMBLY:





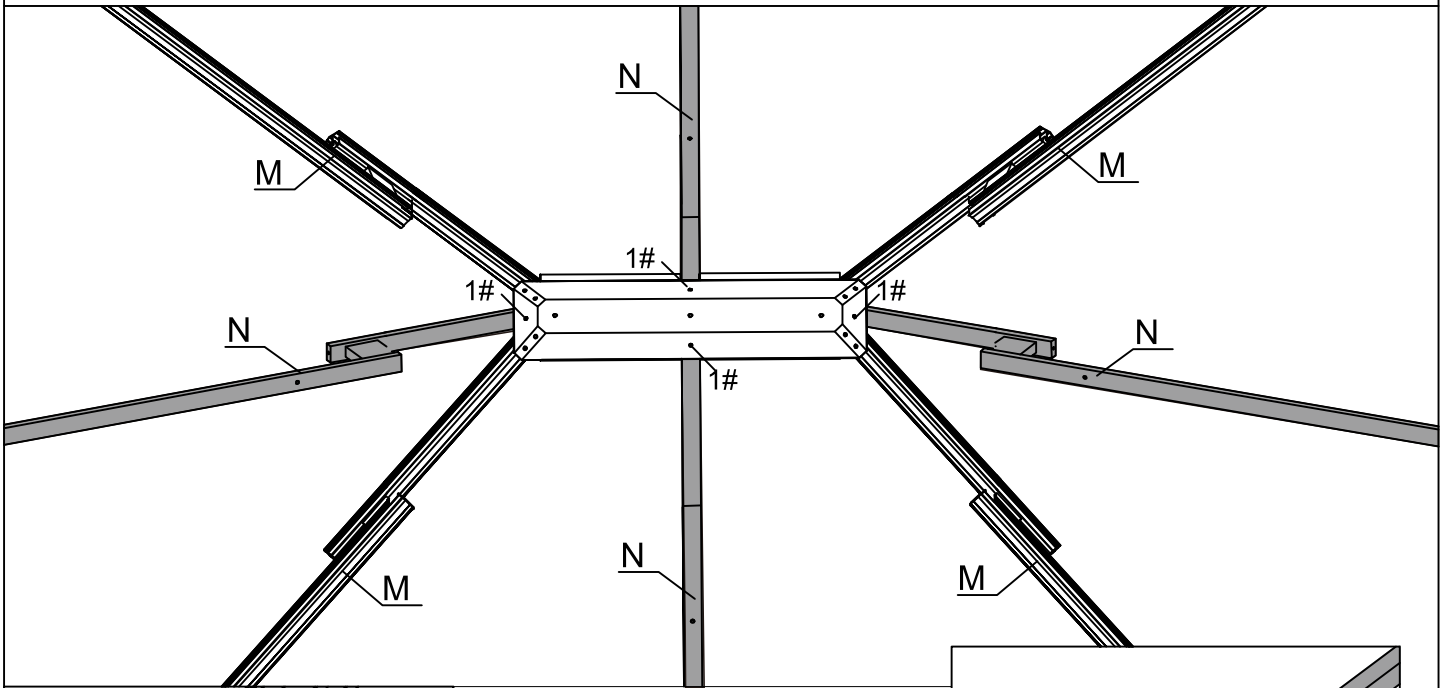
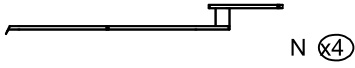
Place 4 Corner Roof Tubes on the 4 corners of inside Roof Cover #K ,secure with 8 Bolts #1 (from bottom to top).



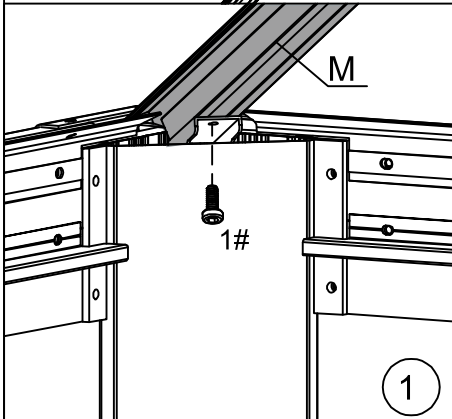


Lift 4 corner roof Tubes and inside roof connector to the top of the frame.(You may need 2 people and 2 ladder).

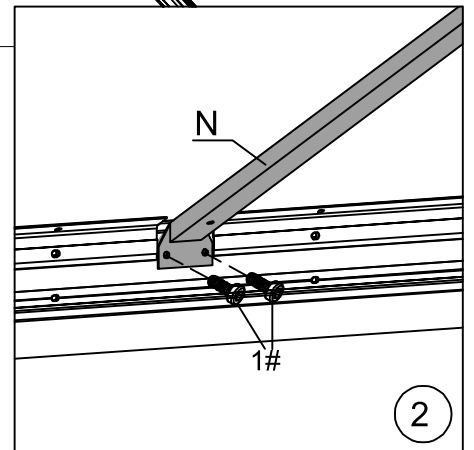
ROOF TUBE ASSEMBLY



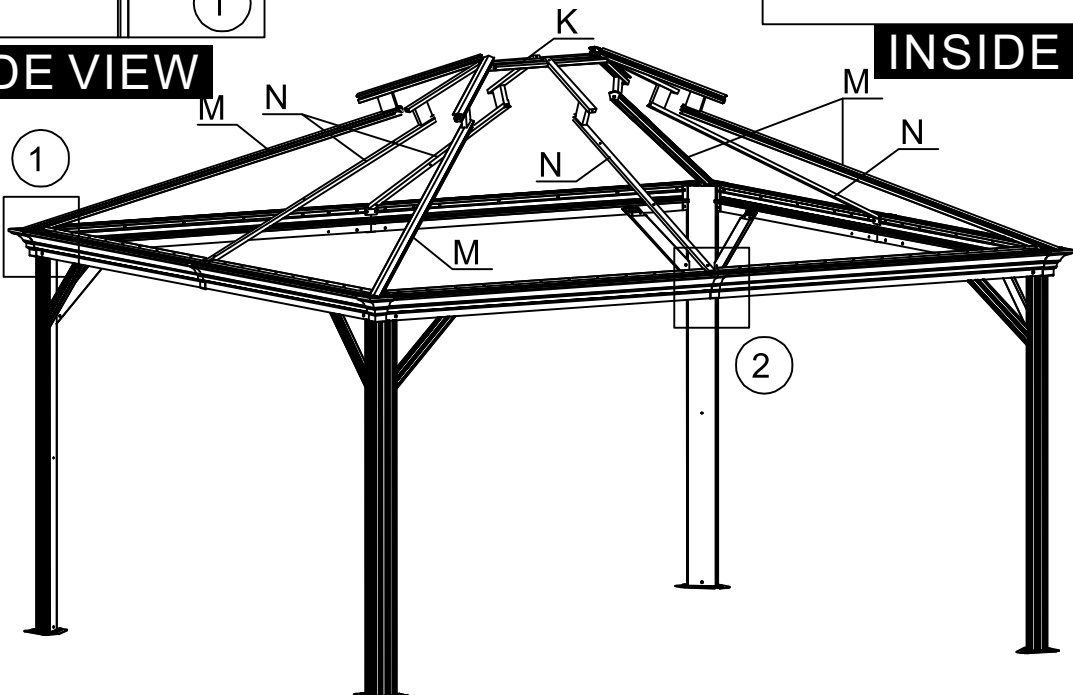
BOTTOM VIEW



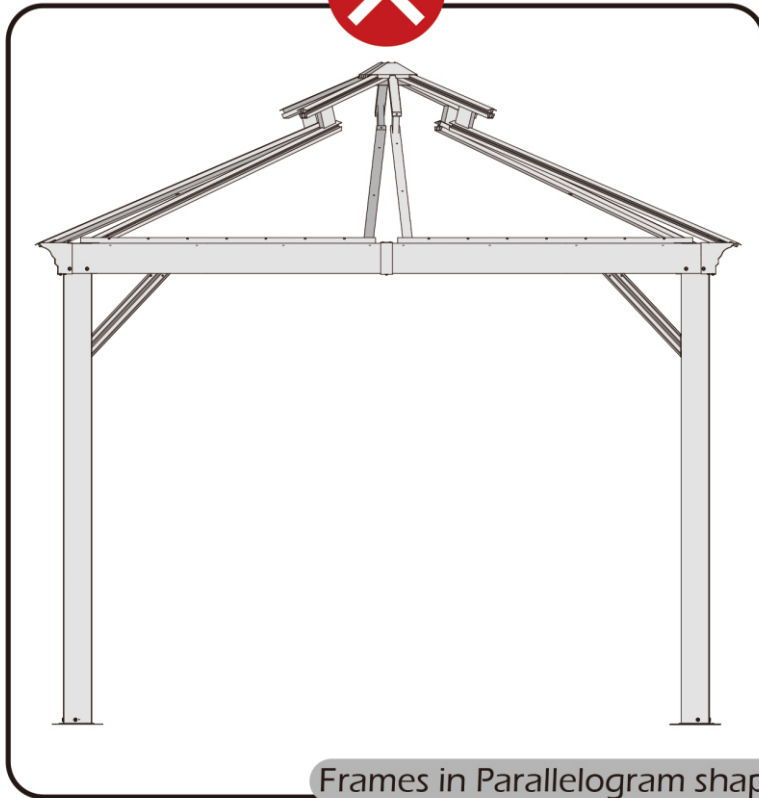
INSIDE VIEW



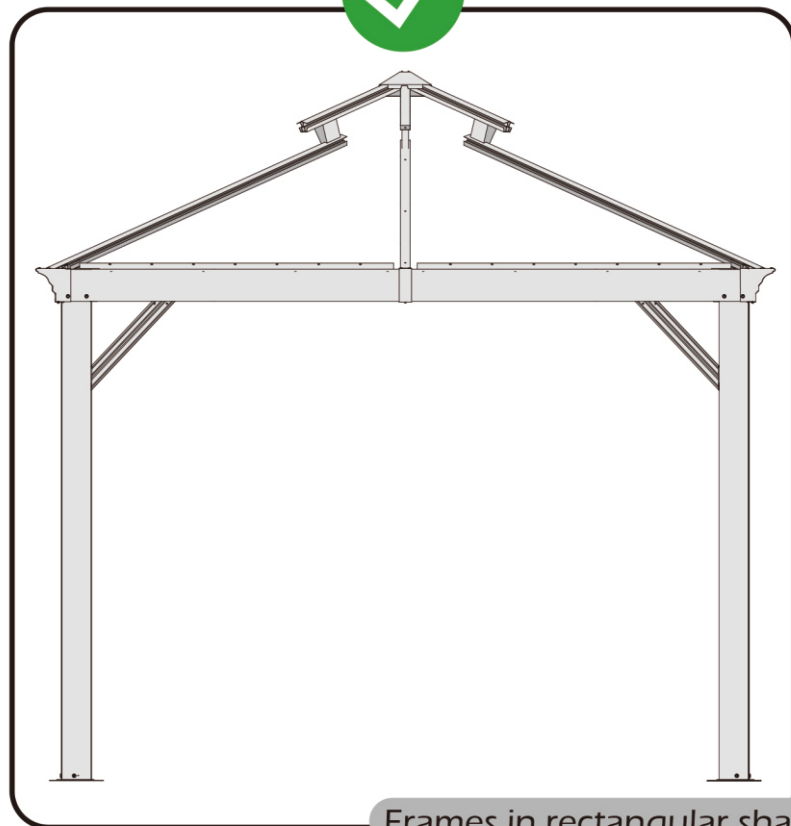
INSIDE VIEW



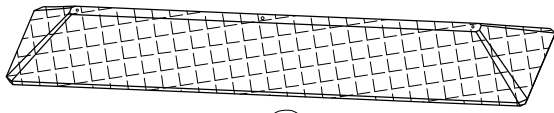
Check the the frame as pictures below shows.



Frames in Parallelogram shape



Frames in rectangular shape



O (x1)

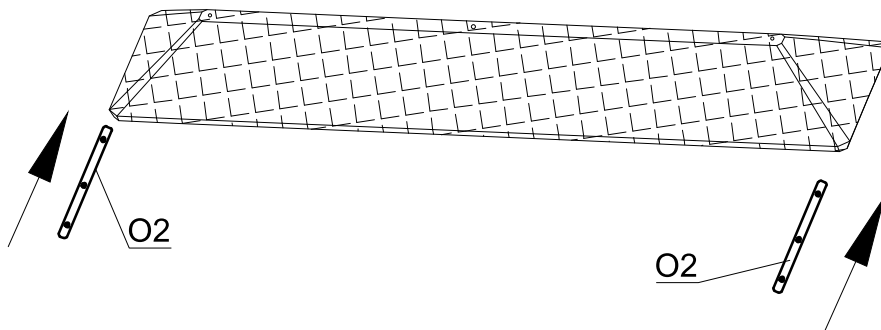
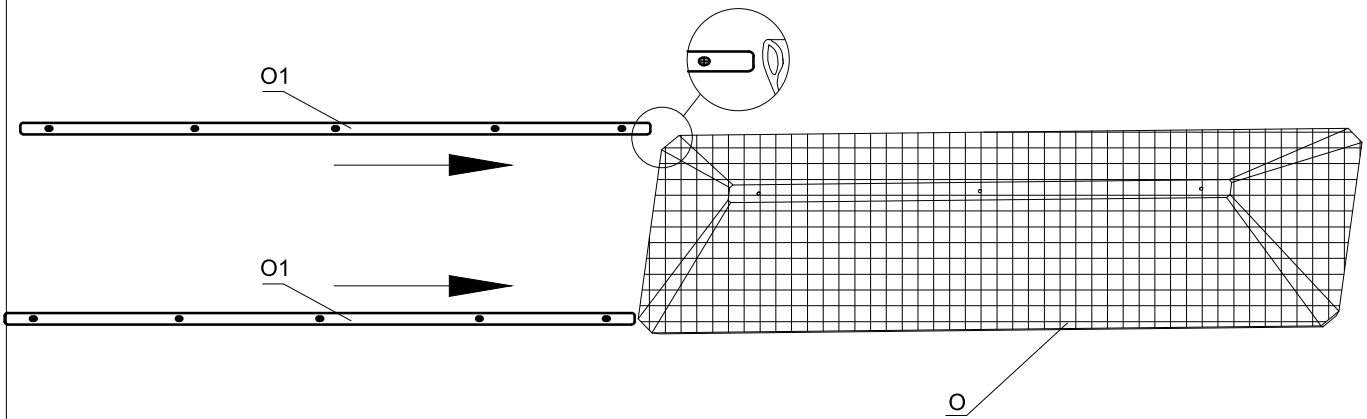


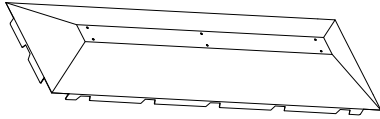
O1 (x2)



O2 (x2)

PLASTIC BAR ASSEMBLY:





K1 (x1)



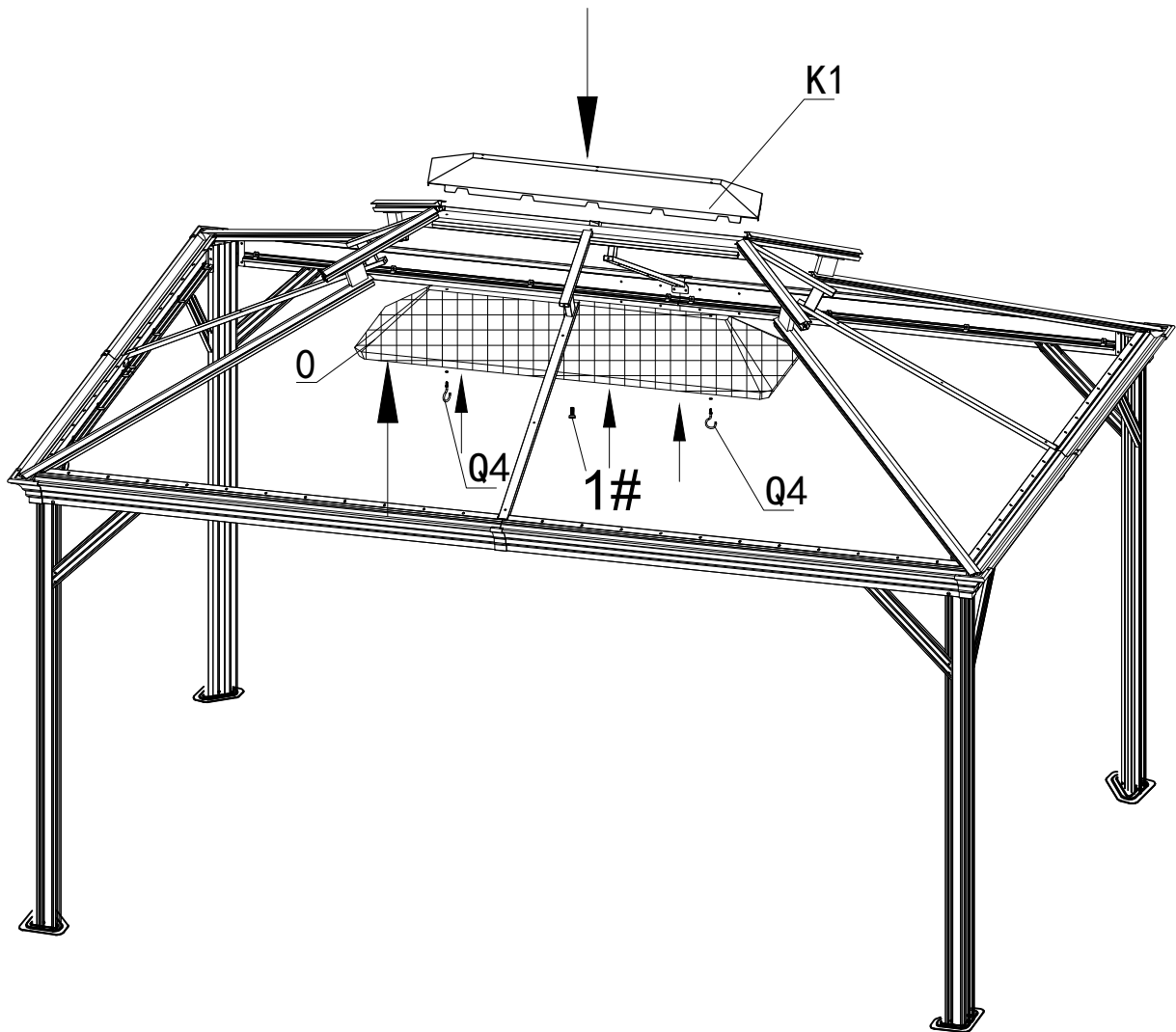
Q4 (x2)

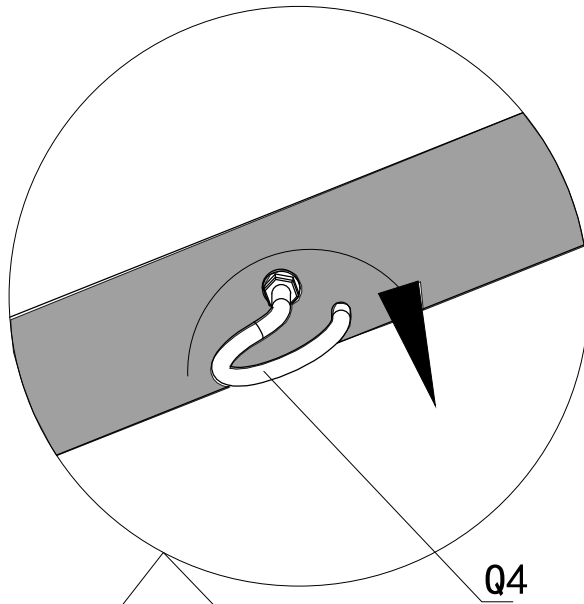


1#
x1

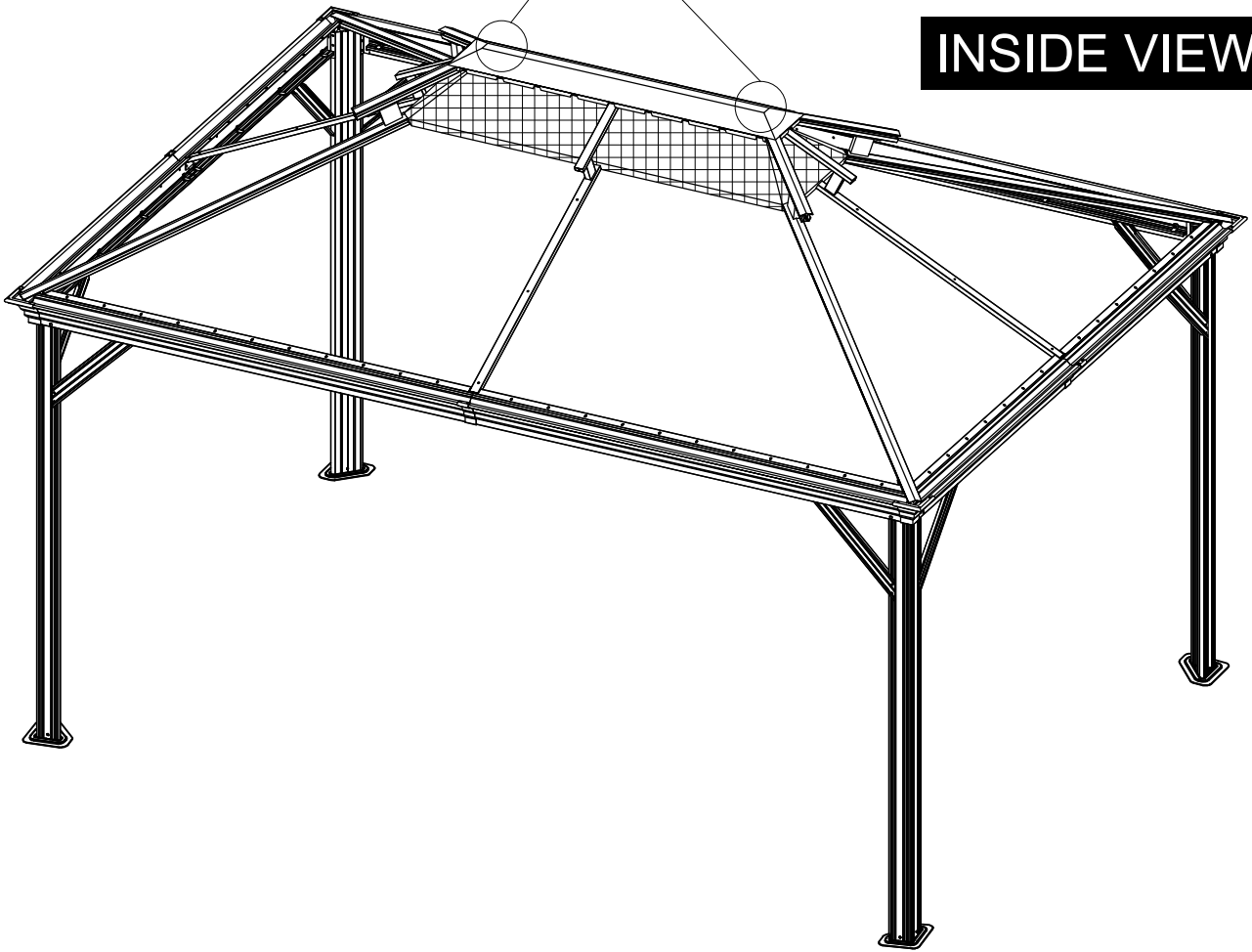
OUTSIDE ROOF COVER AND MESH ASSEMBLY :

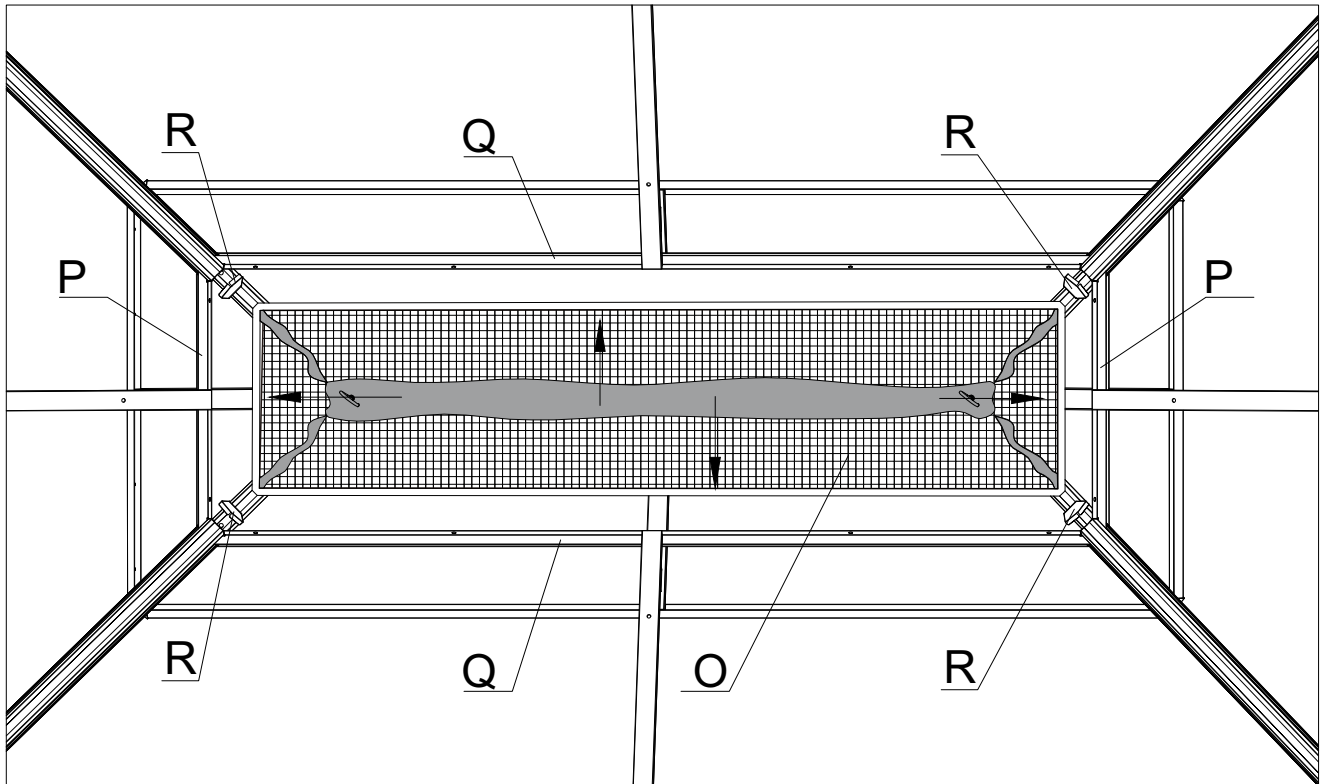
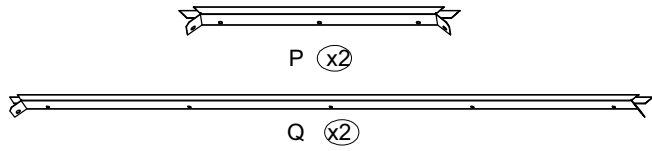
- (1) Place the Outside Roof Cover on the inside Roof Cover.
- (2) Align the holes and use 2 Hooks #Q4 and 1 bolt #1 to secure Mesh #0 to the inside Roof Cover (From Bottom to Top).



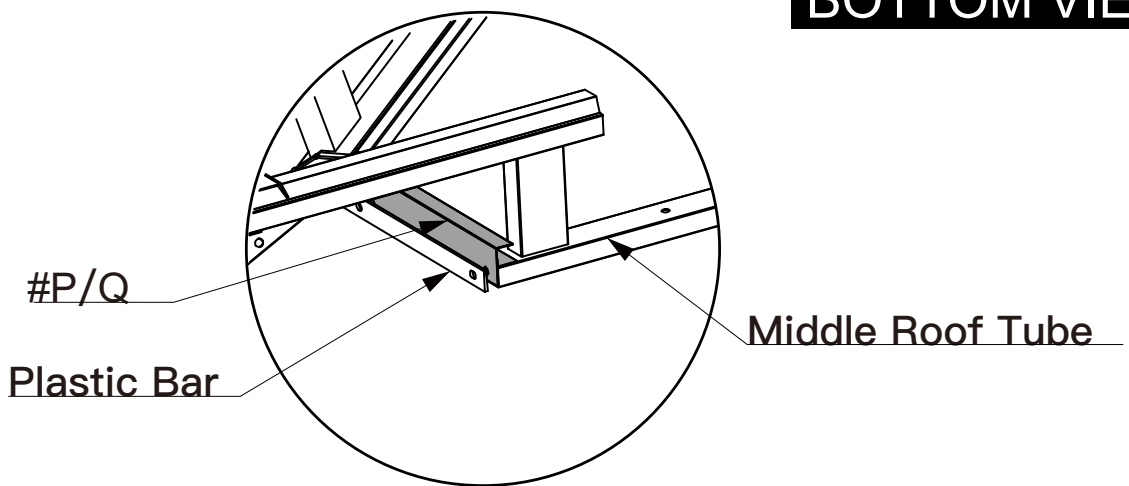


INSIDE VIEW





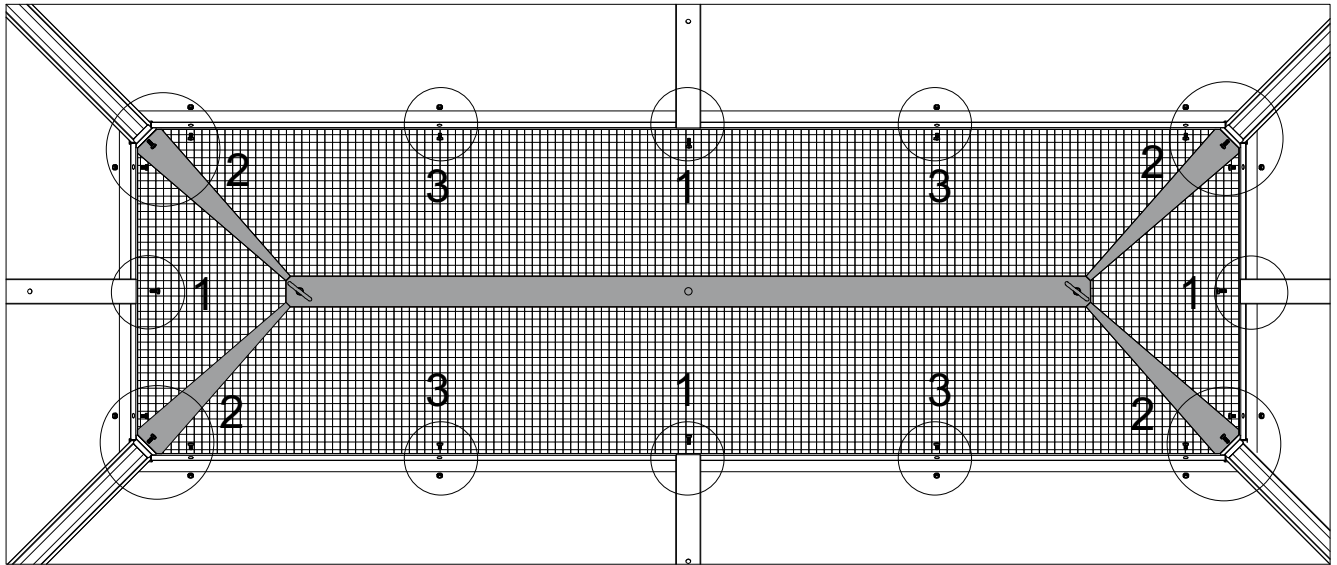
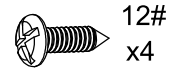
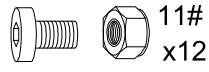
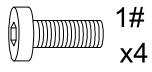
BOTTOM VIEW



INSIDE VIEW

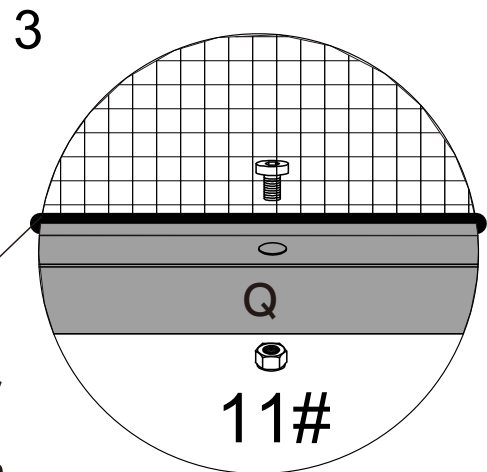
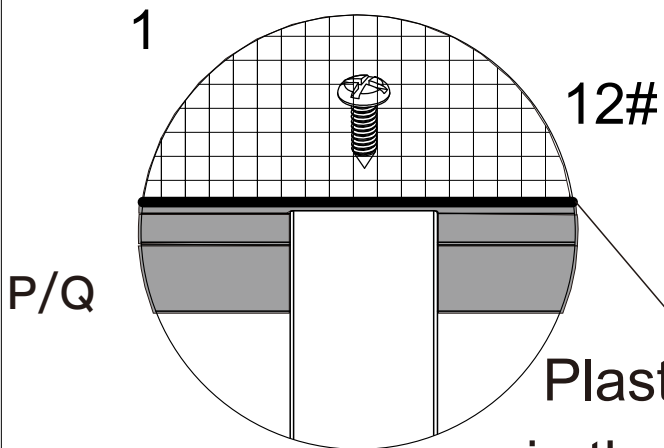
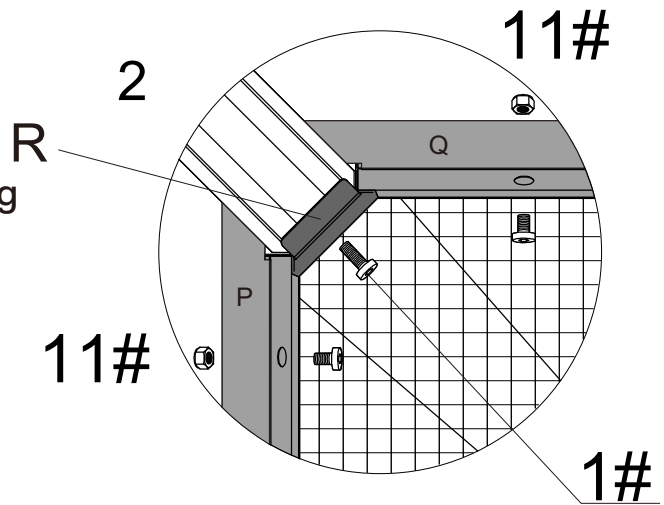


Please do not pull plastic bar out when installing it with #P&Q to the middle roof tube.



BOTTOM VIEW

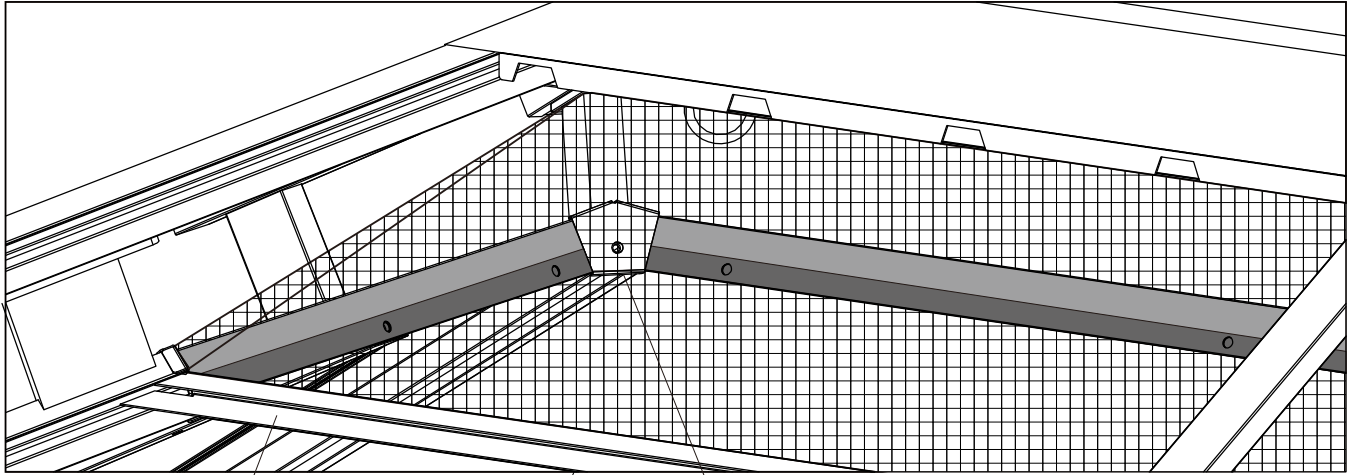
Extend the small mesh, then secure the plastic bar (inside the small mesh) and the finishing bar to the roof tube.



Plastic Bar in the mesh

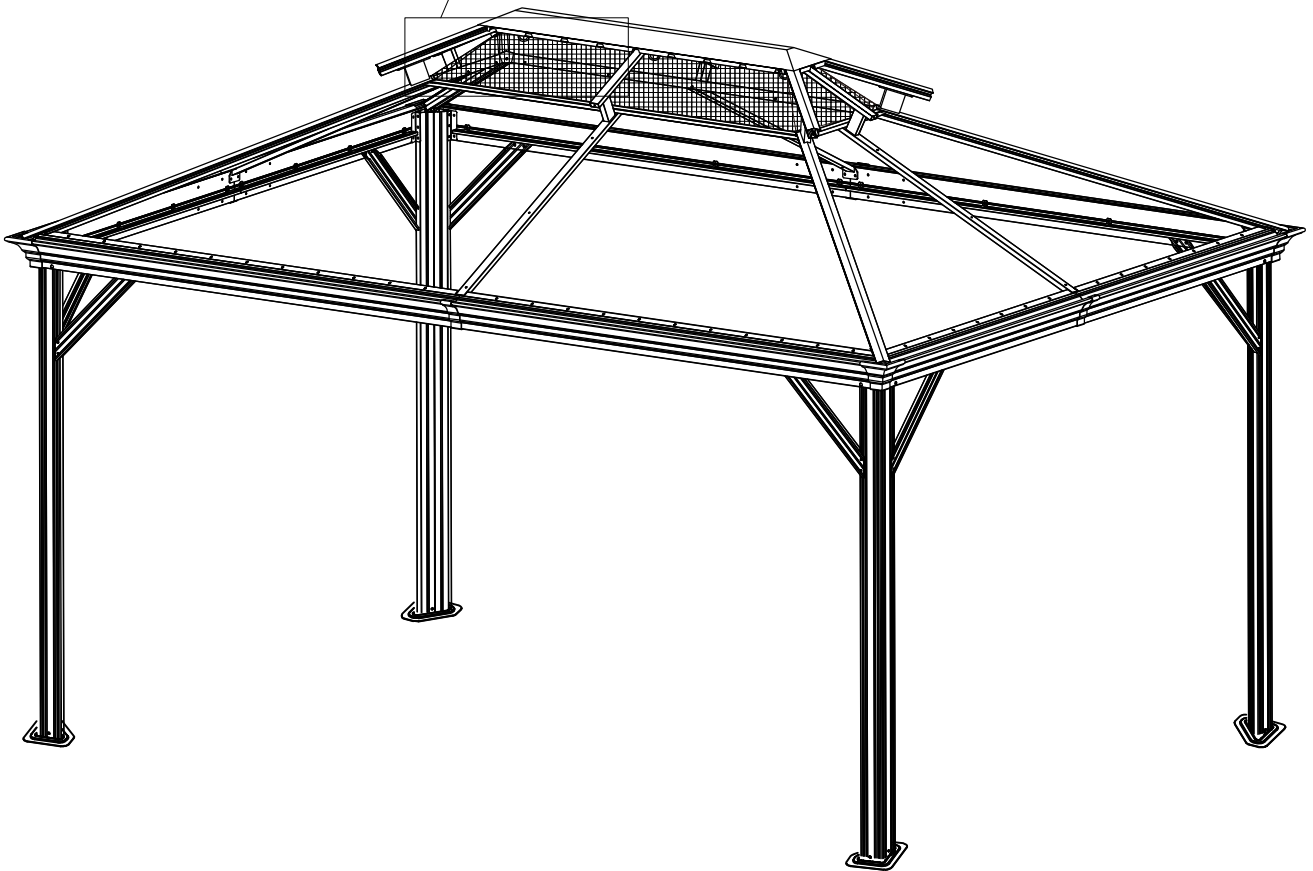
■ Plastic Bar in the mesh

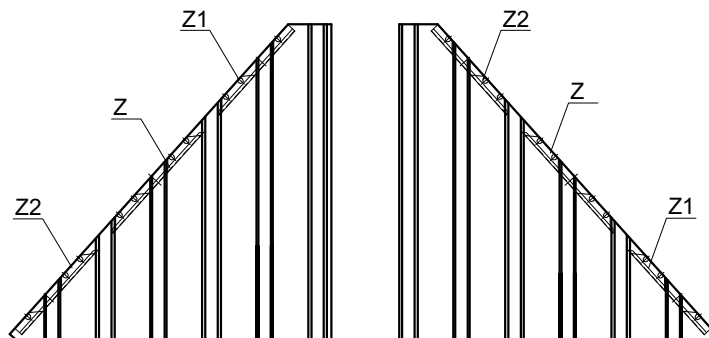
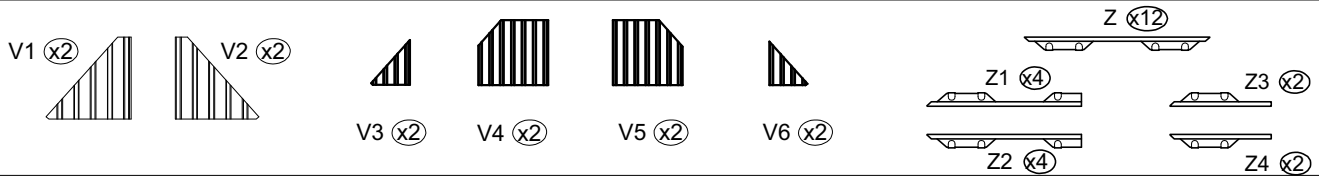
■ #P/Q



Q

R

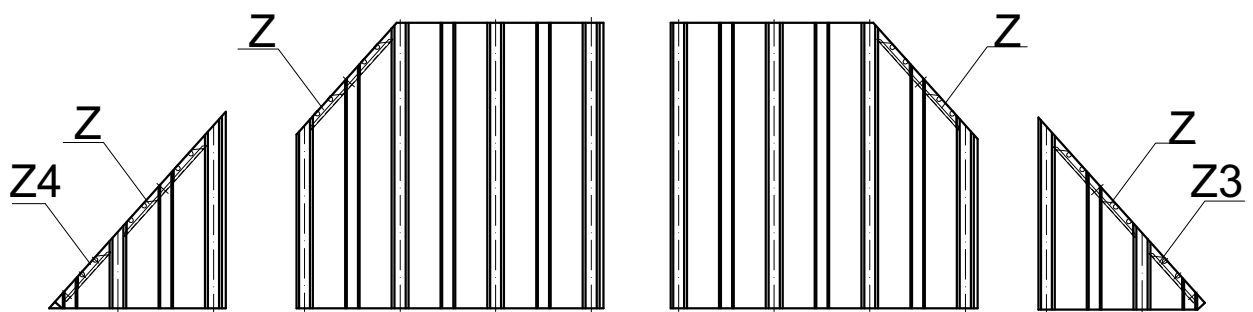




V1

V2

Please install Clips in strict accordance with the instructions.

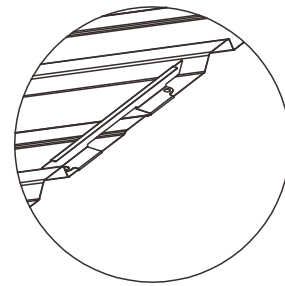
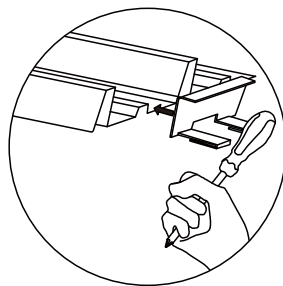
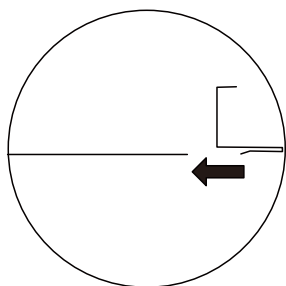


V3

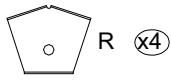
V4

V5

V6



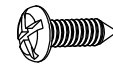
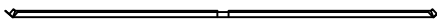
Attach Part #Z,#Z1,#Z2,#Z3&#Z4 by lightly tapping with screwdriver.



T1 (x2)

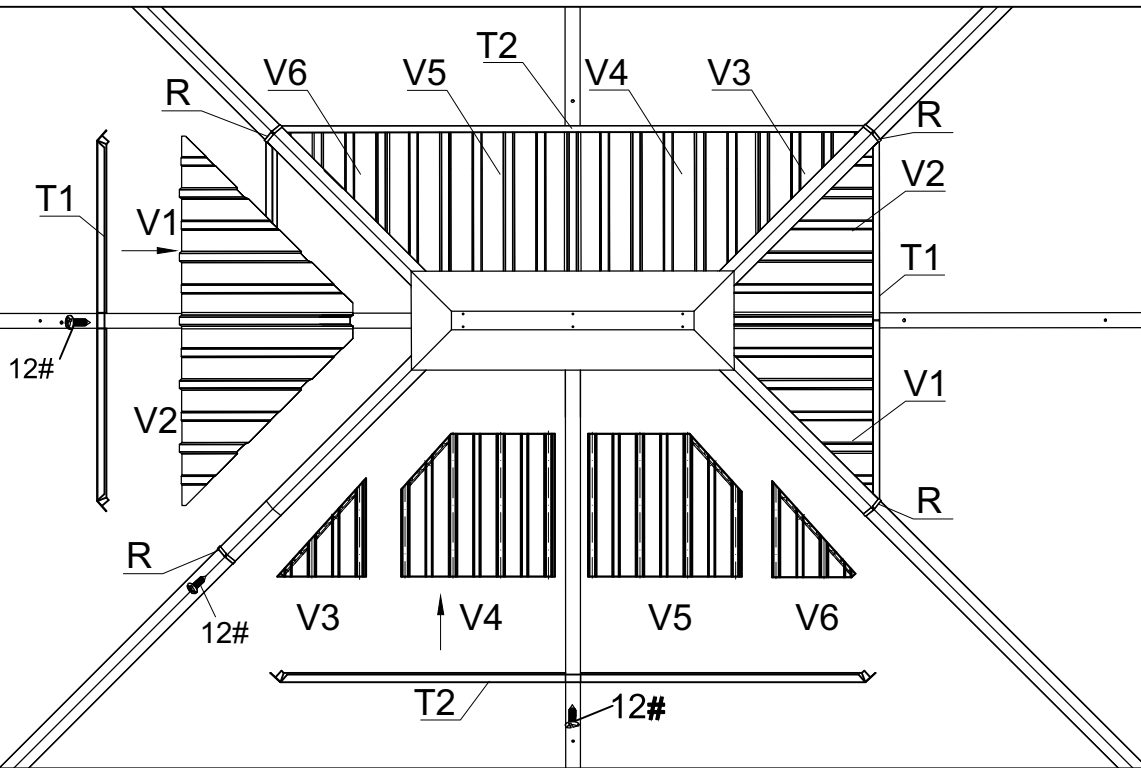


T2 (x2)

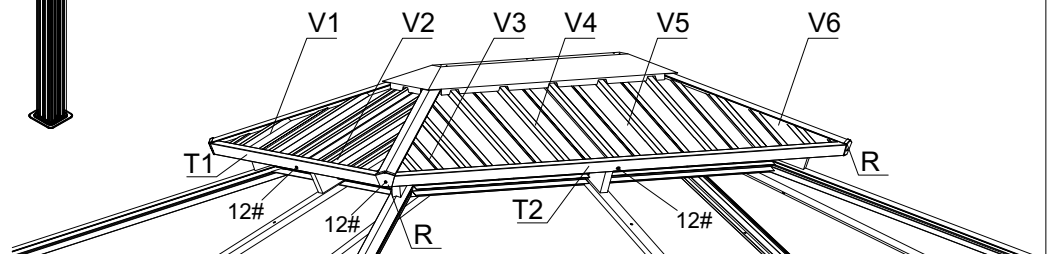
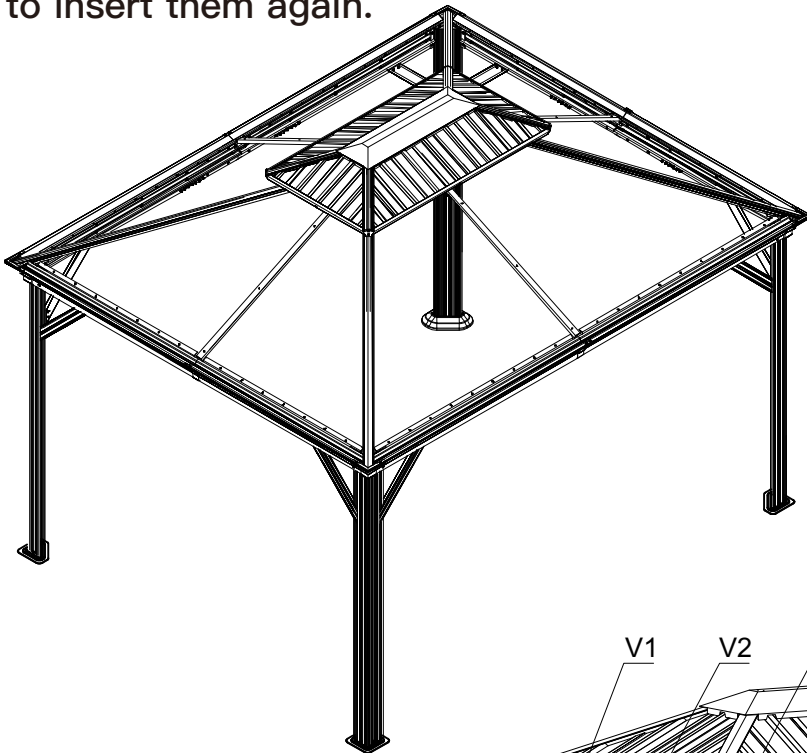


12#
x8

SMALL ROOF PANEL AND FINISHING BAR ASSEMBLY:



If you can't install #V4&V5, push the Outside Roof Cover up and try to insert them again.



U1 (x4)

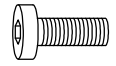
U2 (x4)



U3 (x4)

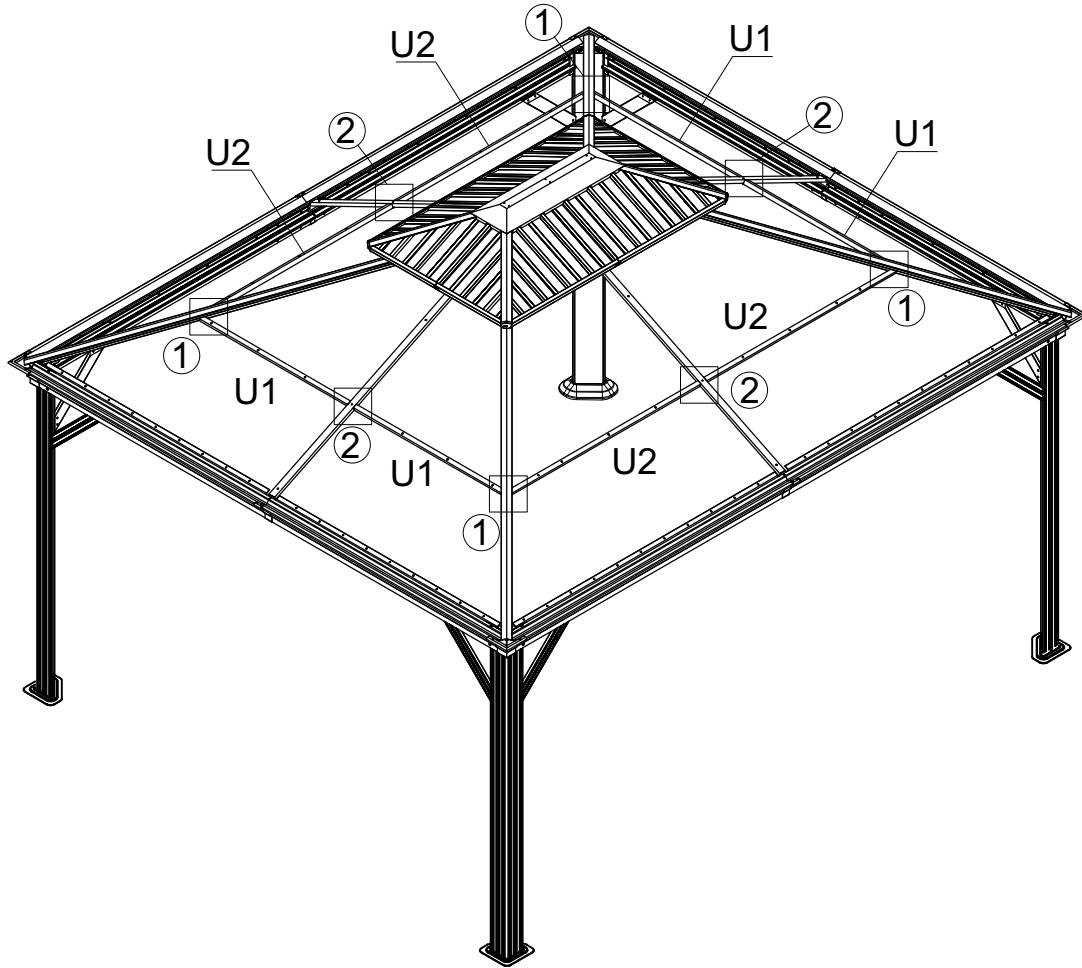


U4 (x4)

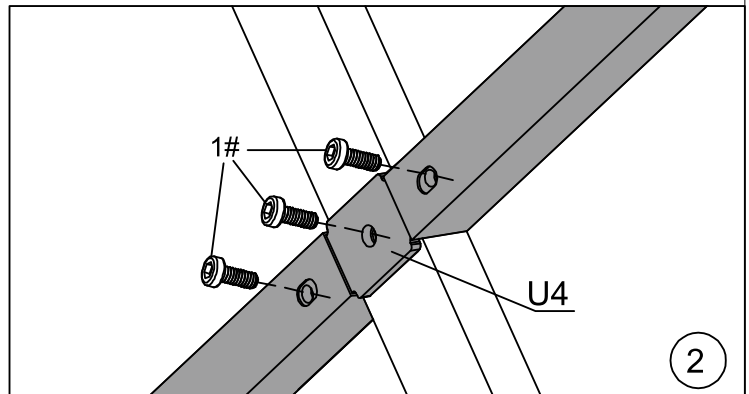
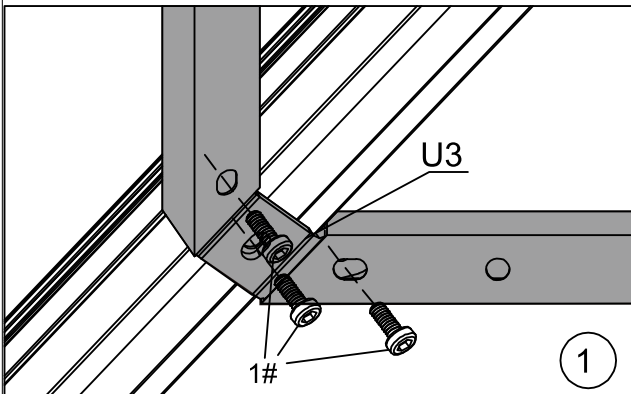


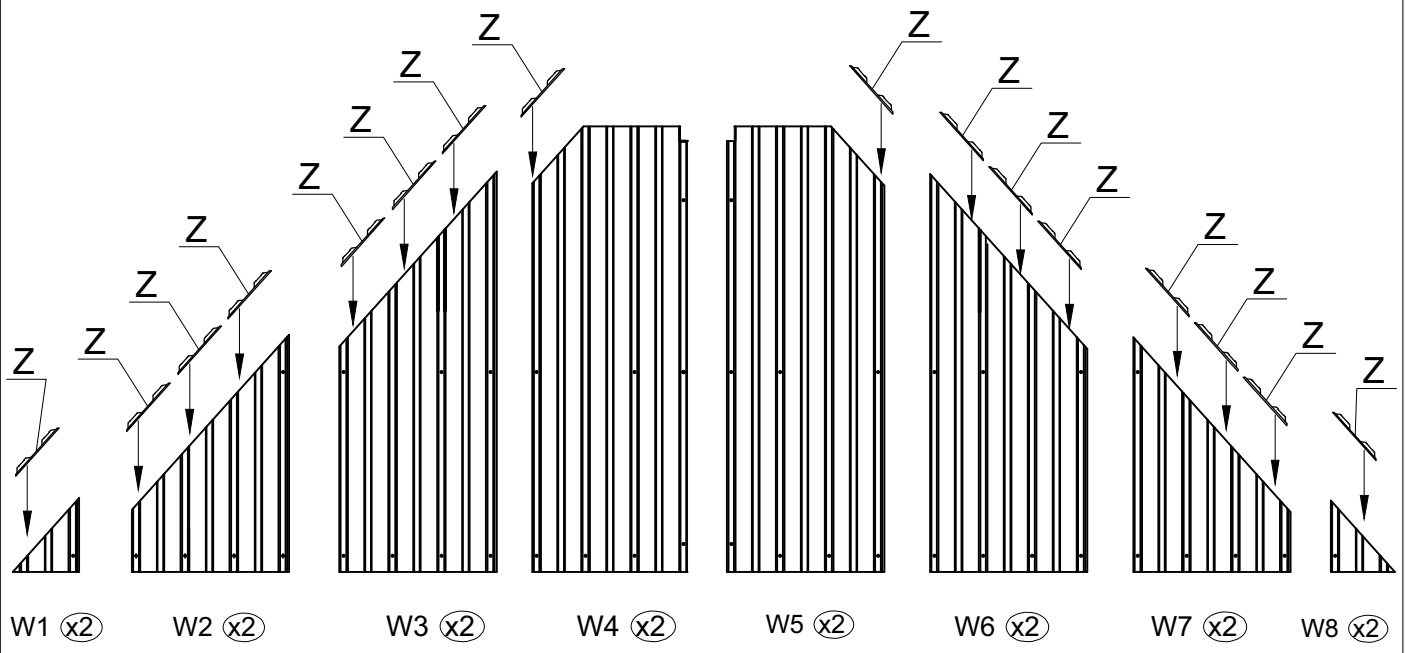
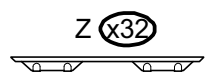
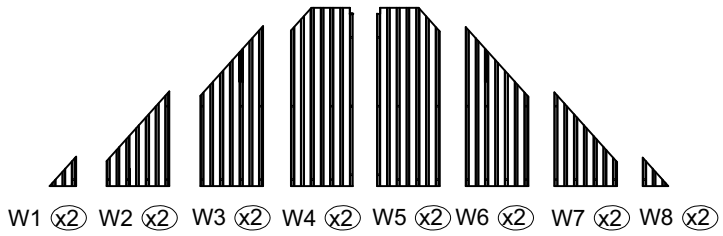
1#
x24

SOLIDIFYING BAR ASSEMBLY:

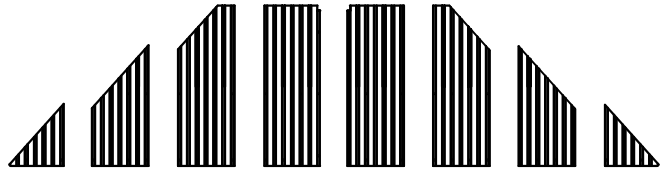


INSIDE VIEW

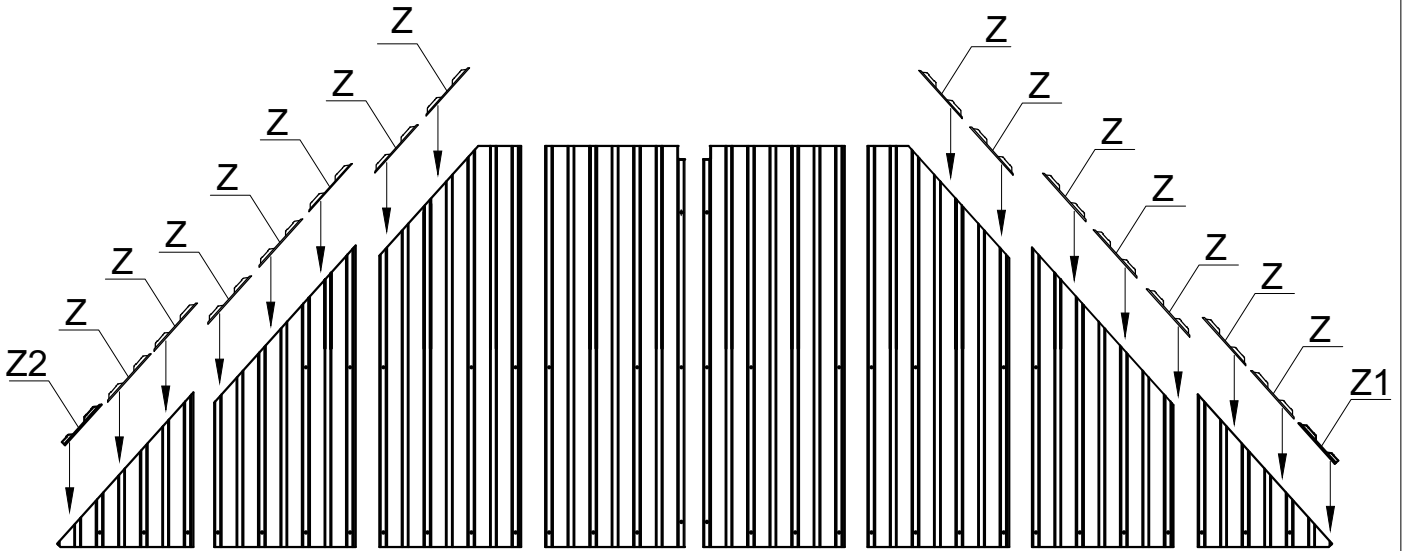
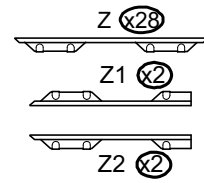




Please install Clips in strict accordance with the instructions.

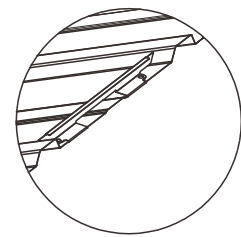
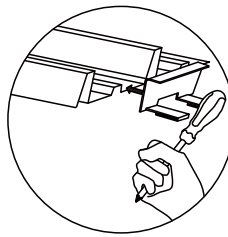
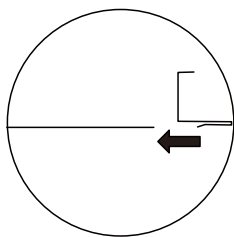


X1 (x2) X2 (x2) X3 (x2) X4 (x2) X5 (x2) X6 (x2) X7 (x2) X8 (x2)



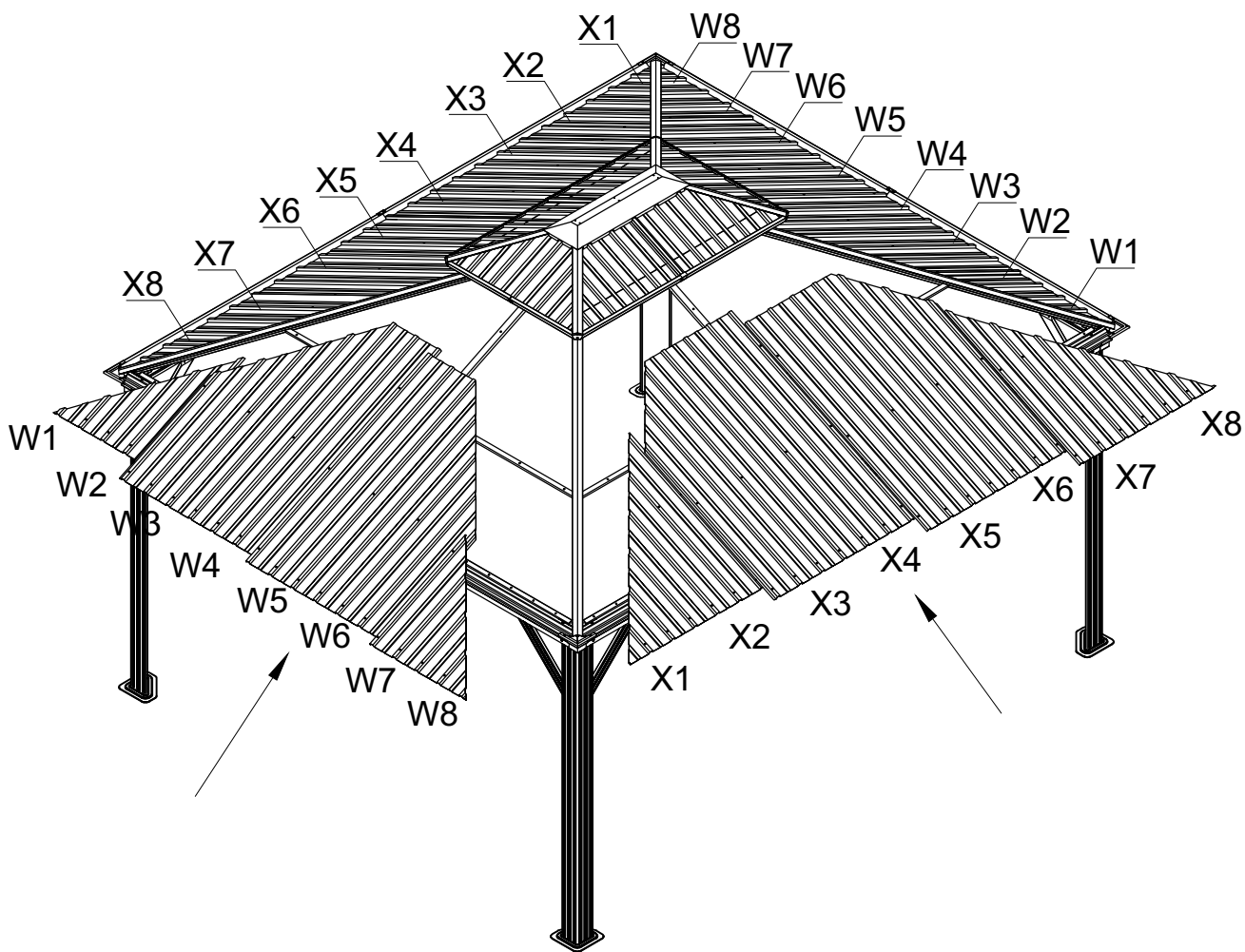
X1 (x2) X2 (x2) X3 (x2) X4 (x2) X5 (x2) X6 (x2) X7 (x2) X8 (x2)

Please install Clips in strict accordance with the instructions.

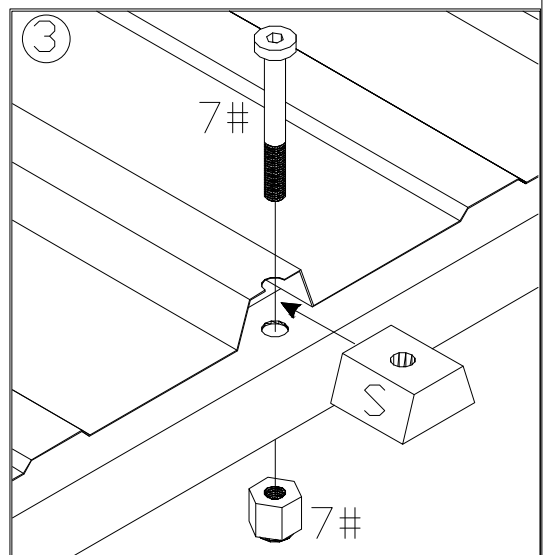
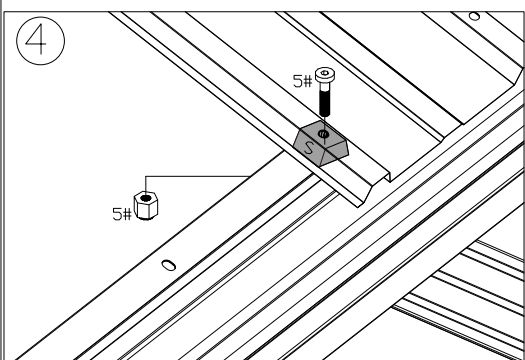
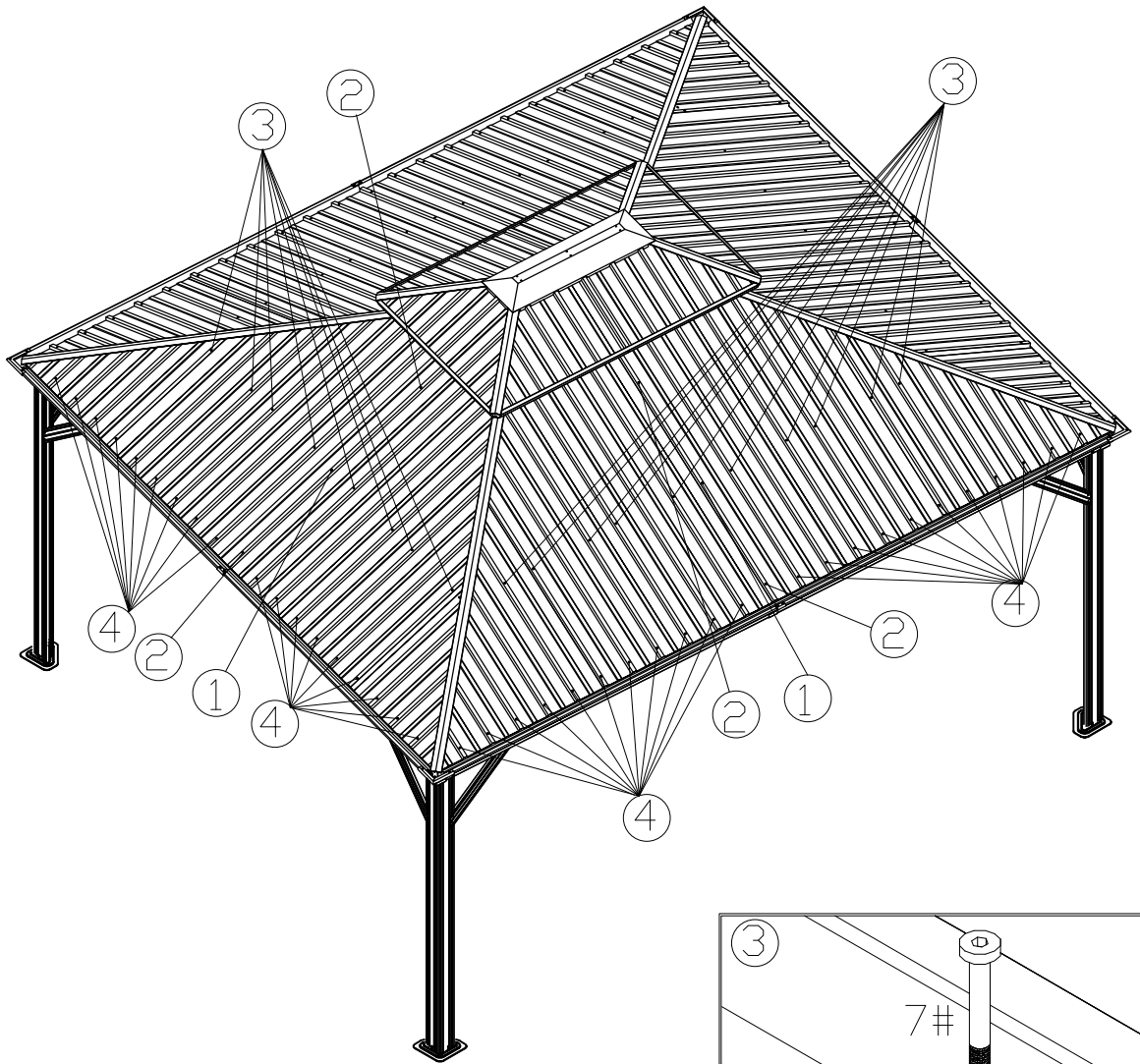
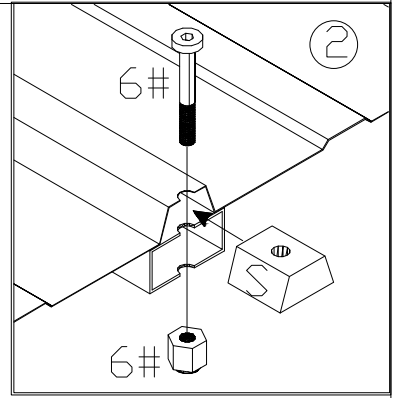
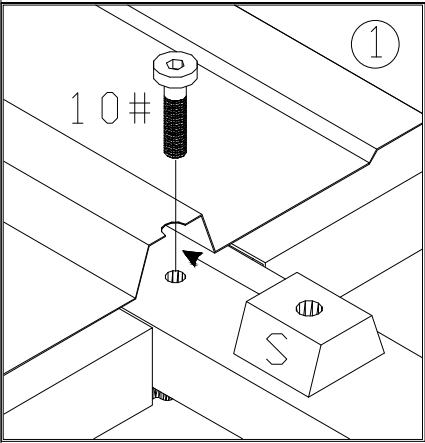
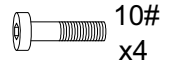
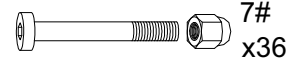
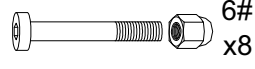
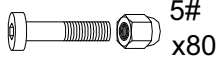
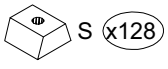


Attach Part #Z,#Z1,#Z2 by lightly tapping with screwdriver.

Install the Middle Panels (#X4, X5 or #W4,W5) first, then the small panels on the edge.

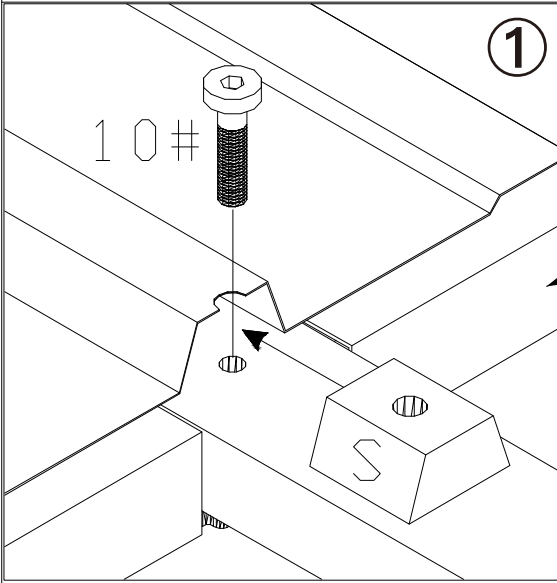


The Black Rubber #S should be assembled when installing the roof panels; please see the next page.



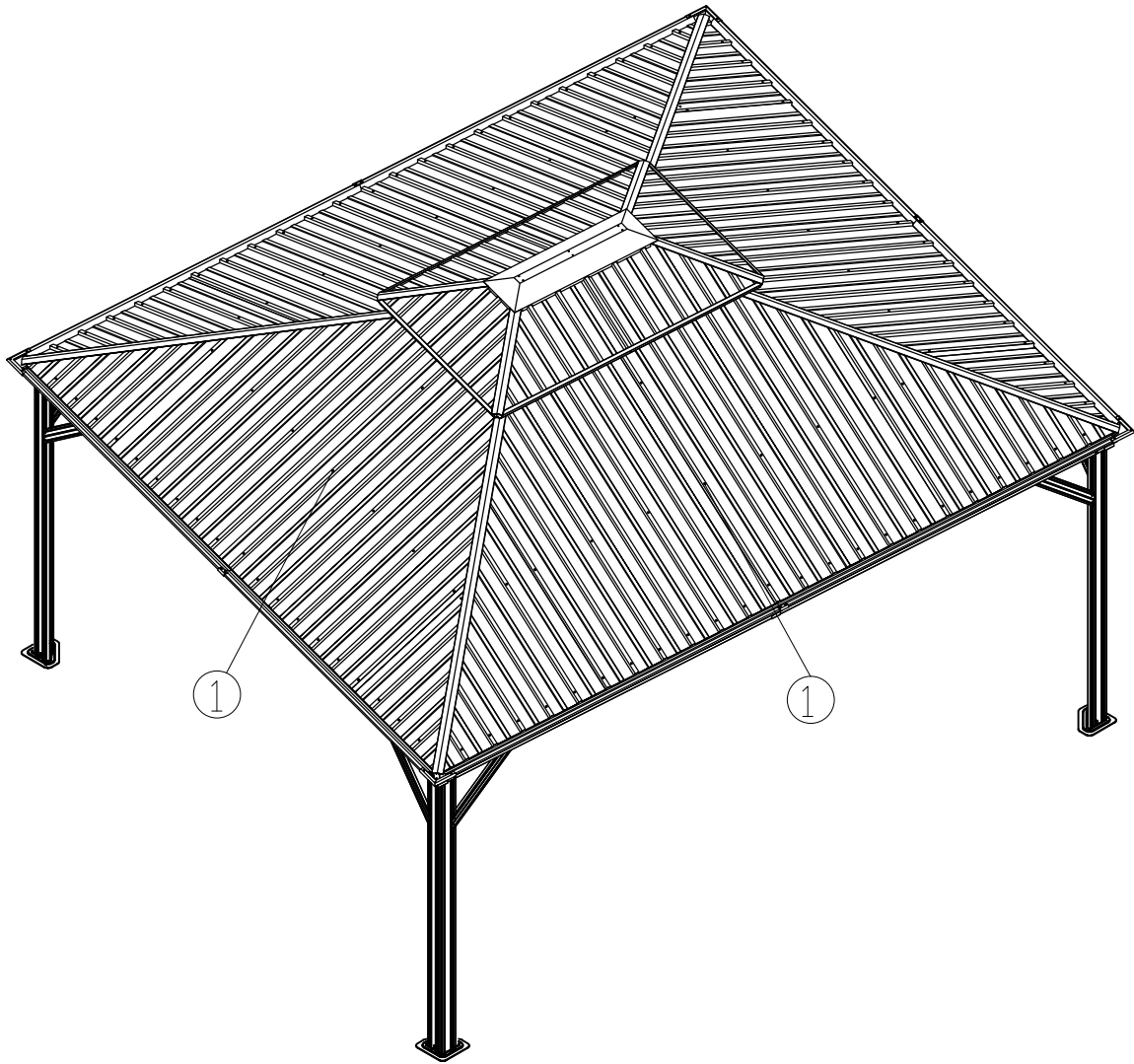
S x4

10#
x4



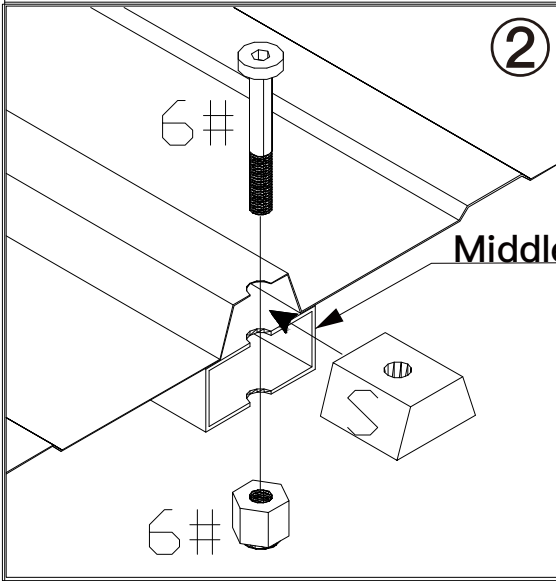
Solidifying Bar

Middle Roof Tube

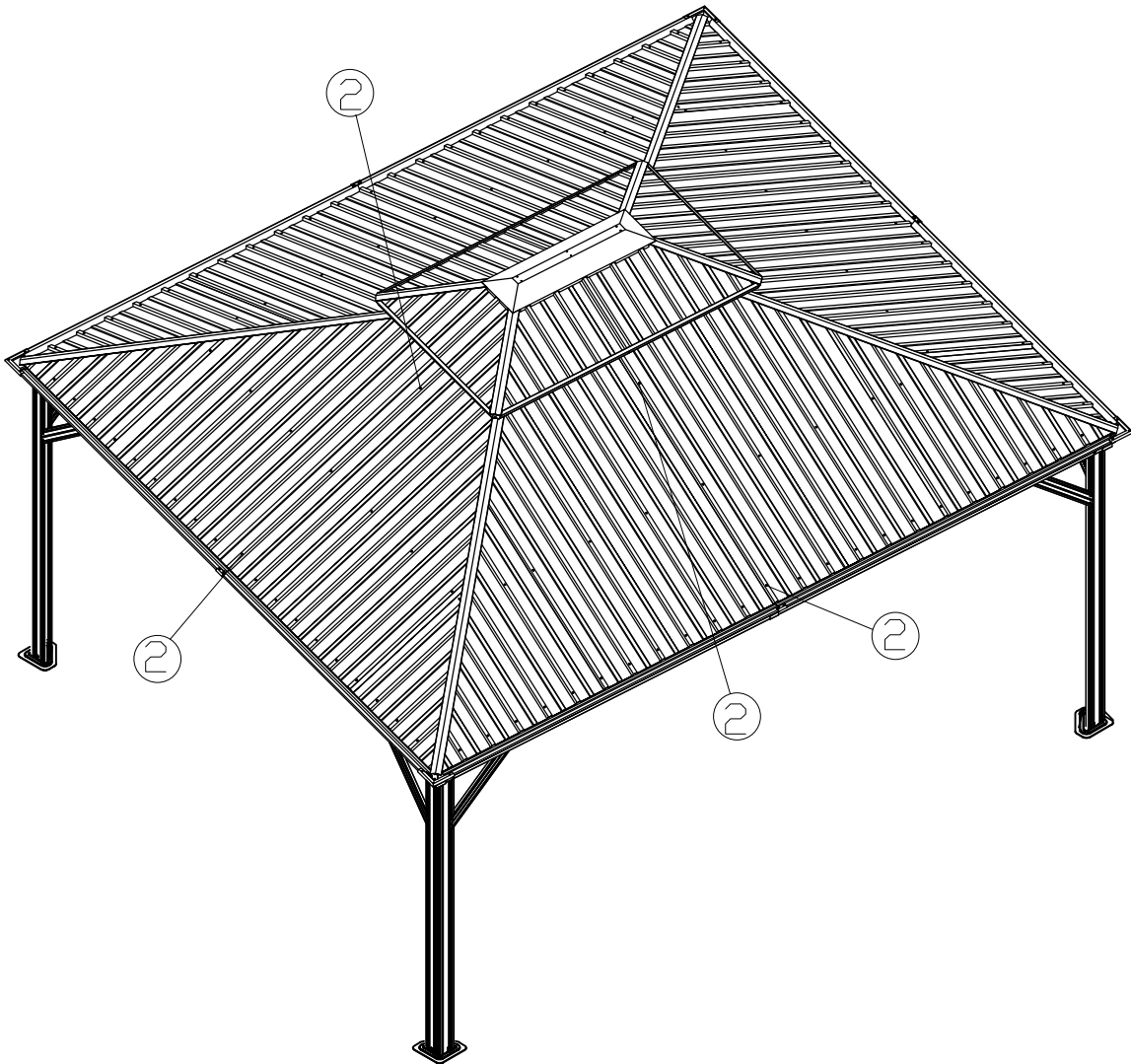


S x8

6# x8

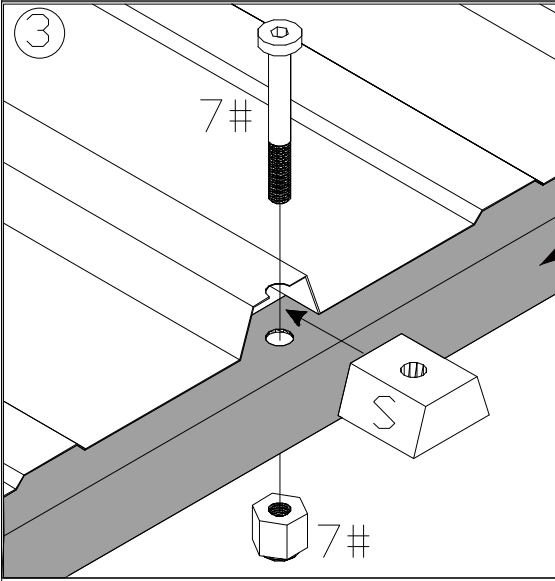


Middle Roof Tube

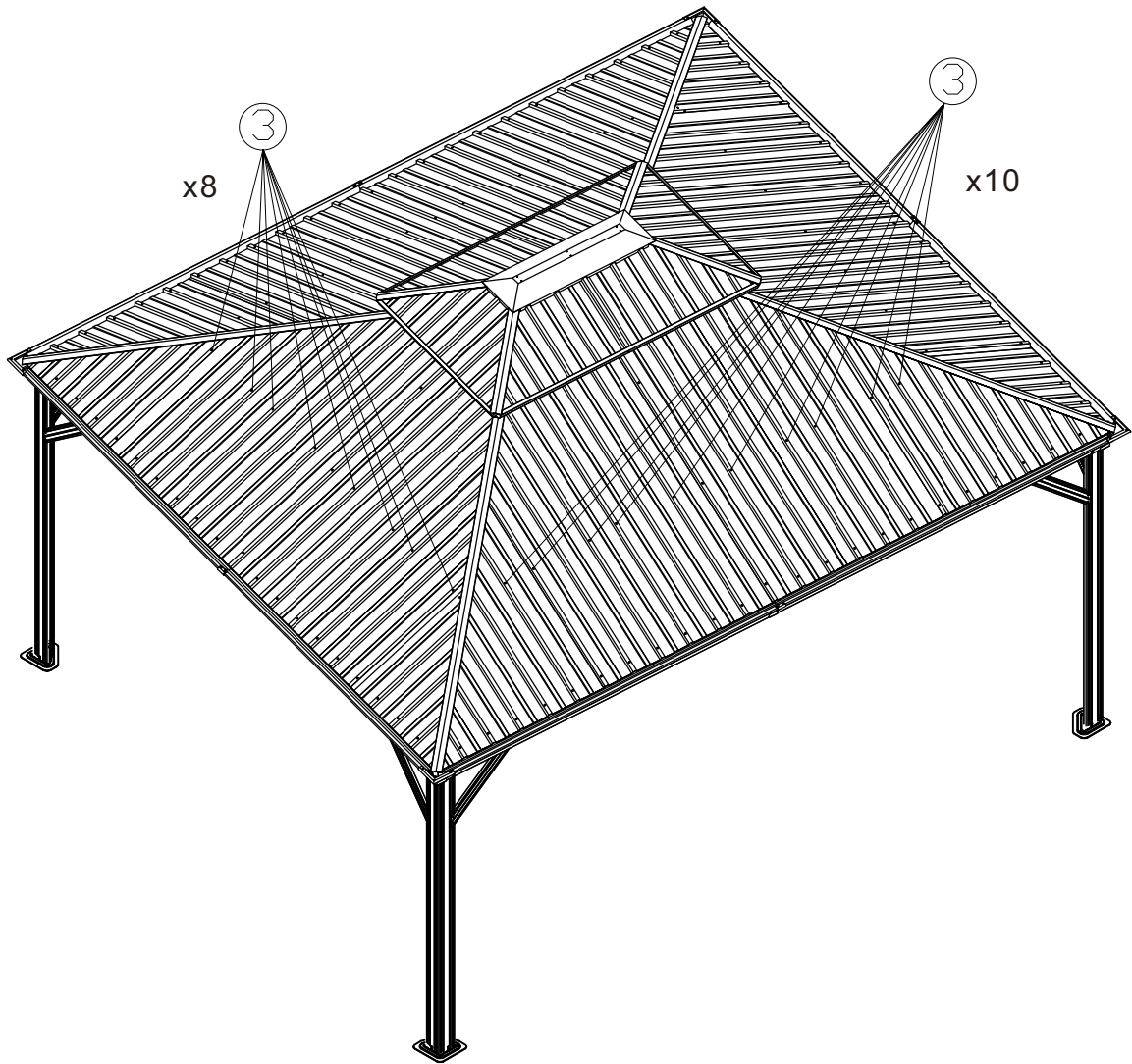


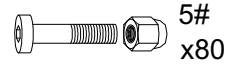
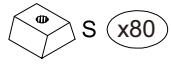
S x36

7# x36

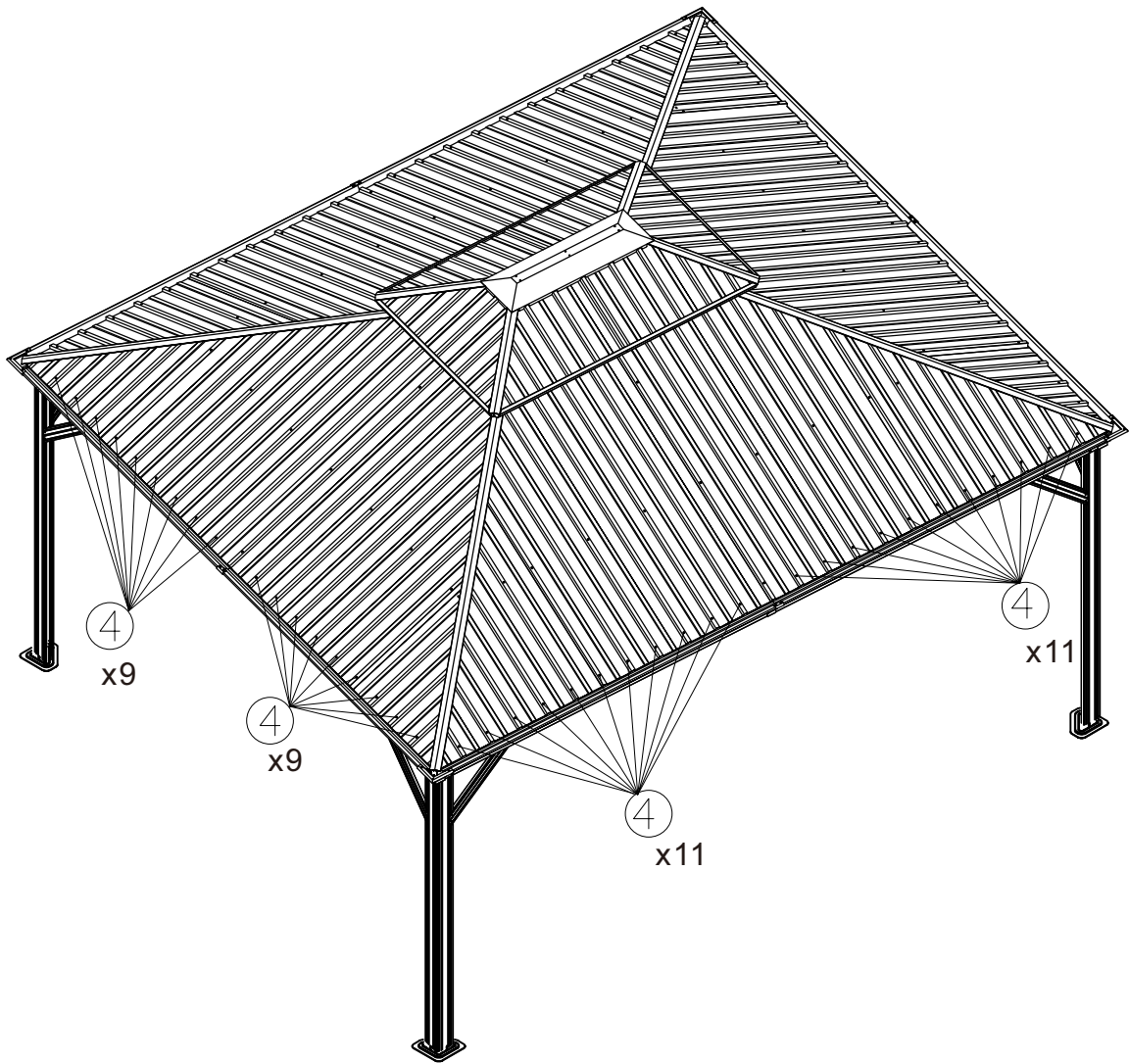
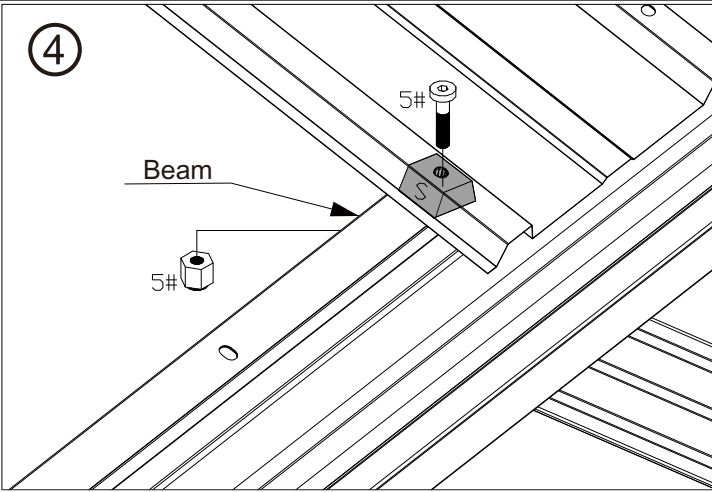


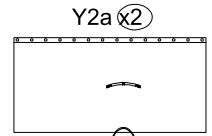
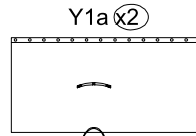
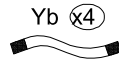
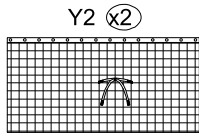
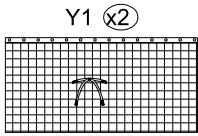
Solidifying Bar



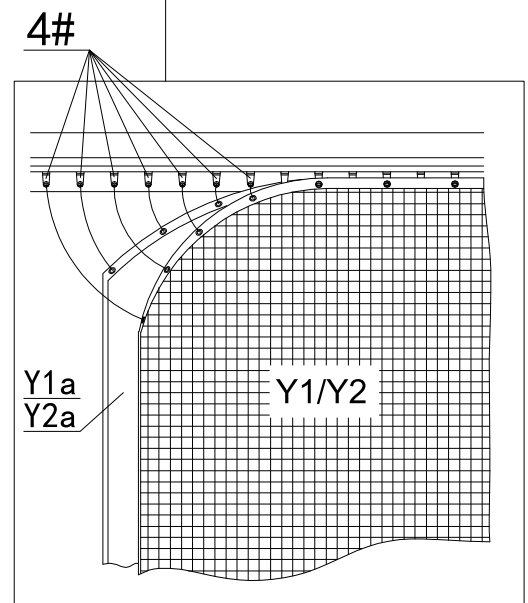
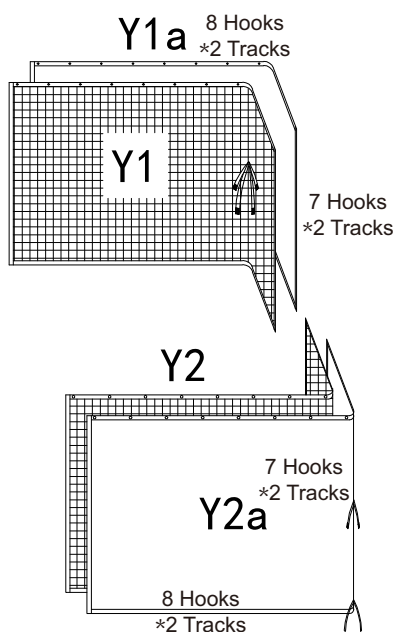
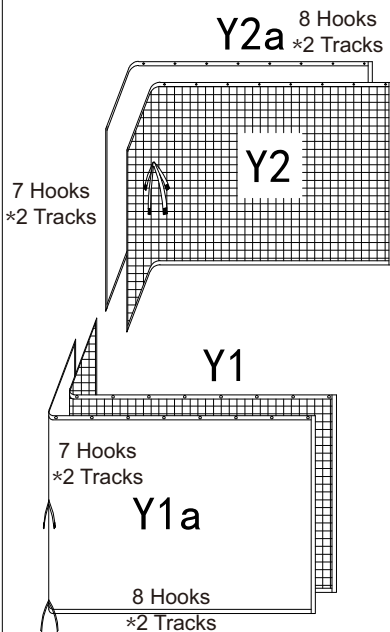
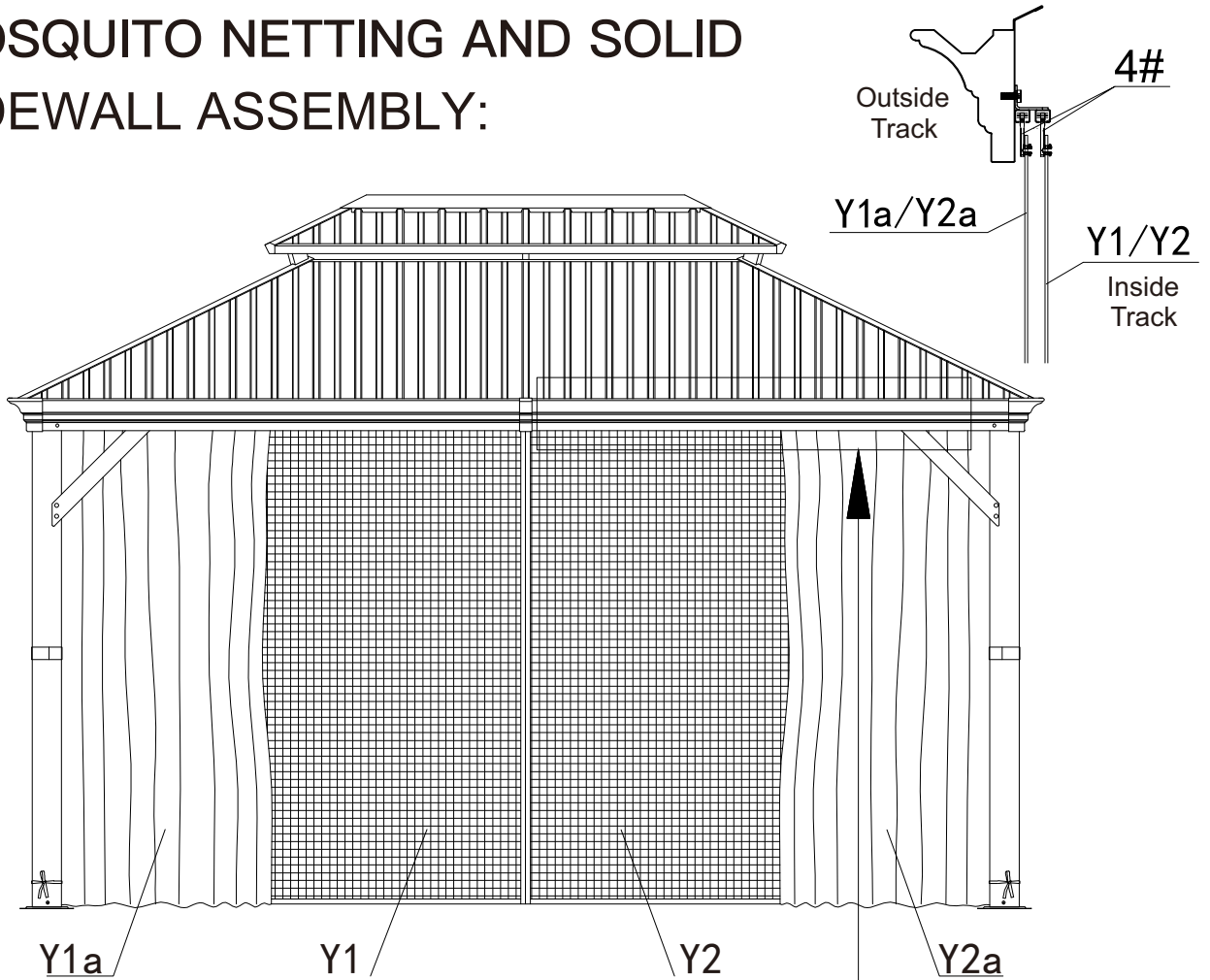


4

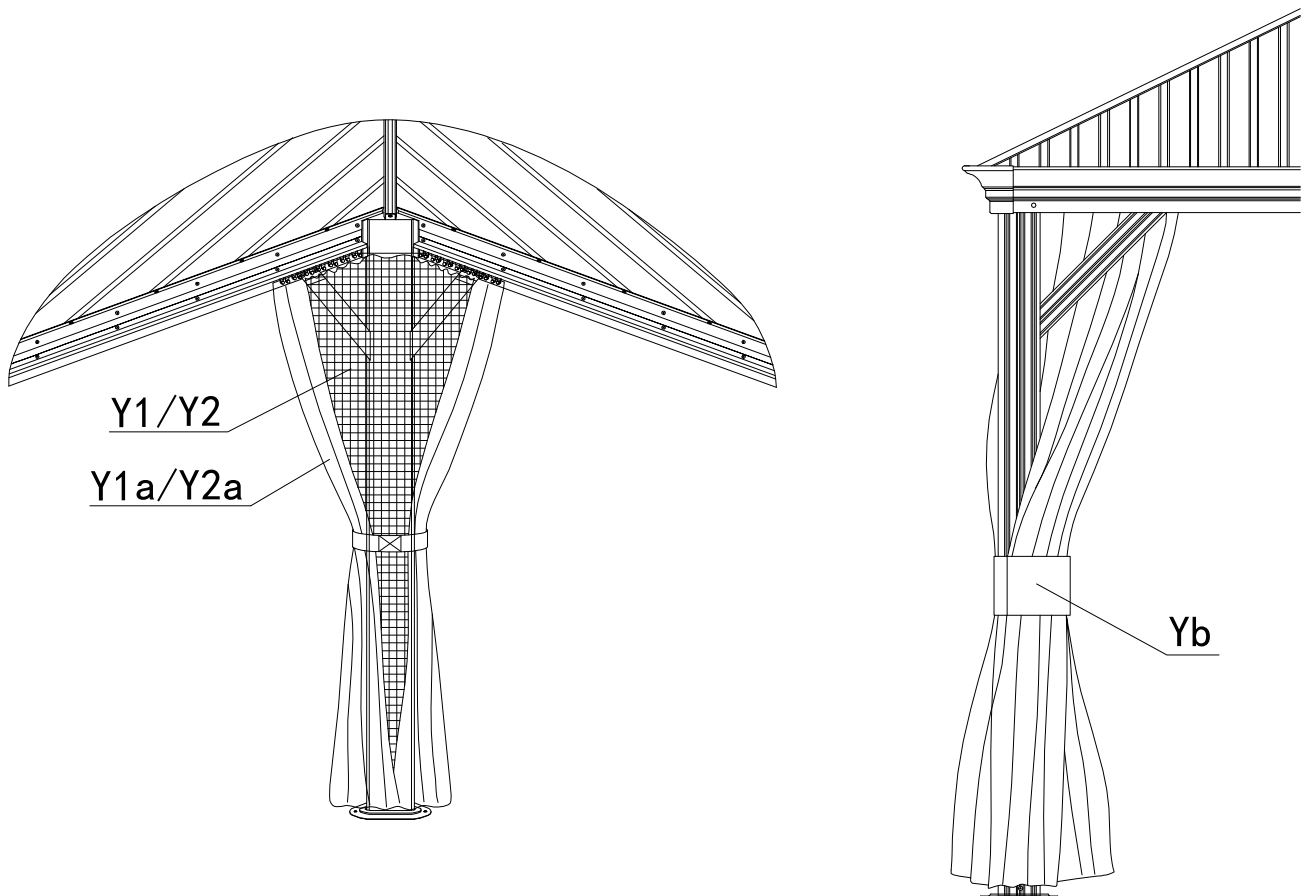
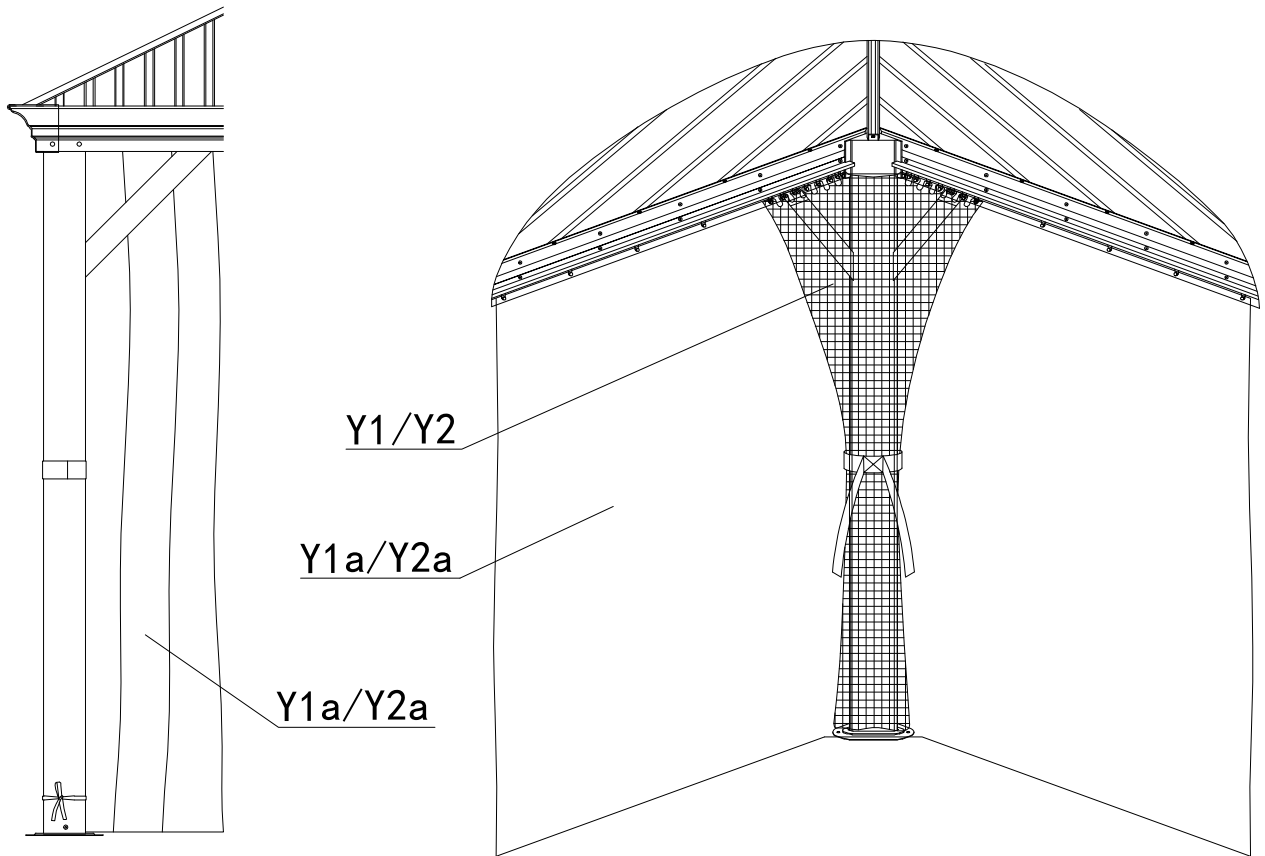




MOSQUITO NETTING AND SOLID SIDEWALL ASSEMBLY:



Please open your gazebo curtain when it is incoming over 30 mph wind, and tie with Strap #Yb.





Thanks for your purchase.

At domi outdoor living, we believe in our products.

That's why we provide a 12-month warranty and friendly, easy-to-reach after-sales service. So, if you have any questions about our product or assembly, please feel free to contact us. We are here for you.

Support:  

After-sales contact email:

service@domioutdoorliving.com

Business cooperation contact email:

marketing@domioutdoorliving.com

Please have your order ID available if you reach out for support.

If you have damaged parts or product, please send us photos for an immediate response.