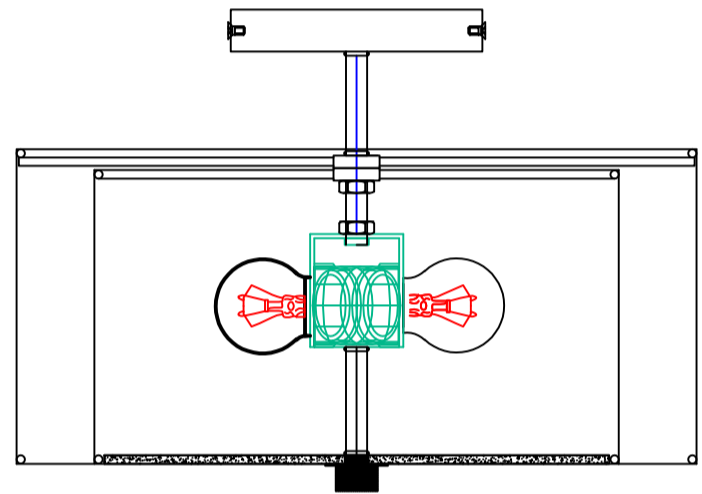
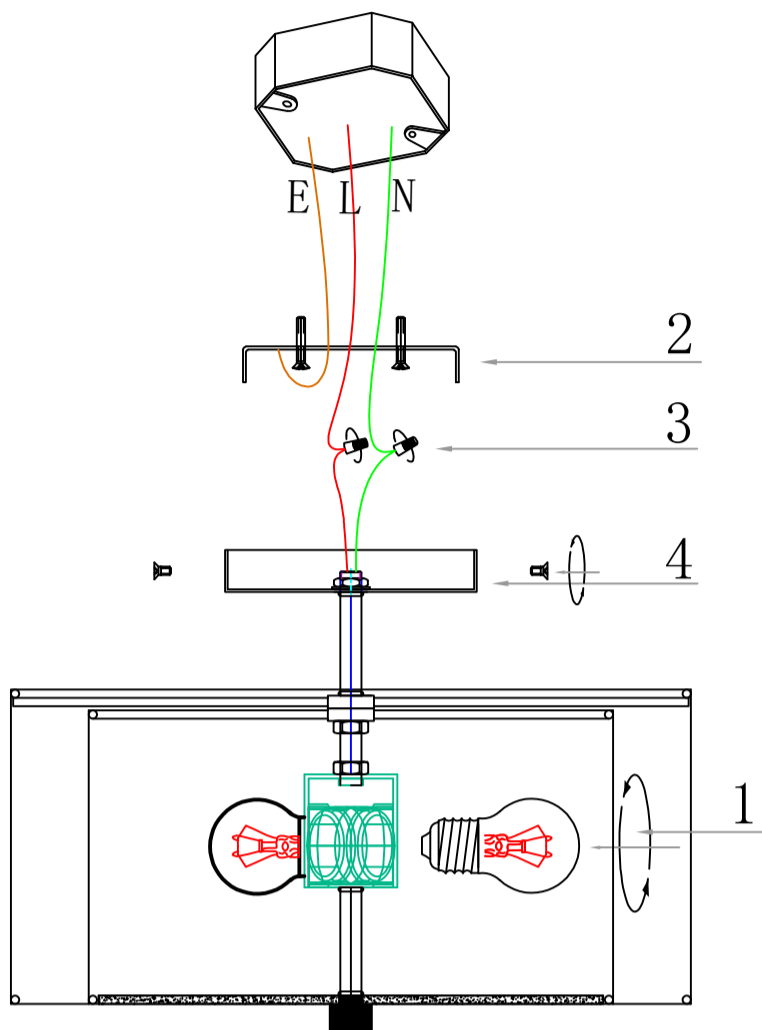


Lighting Installation Instructions

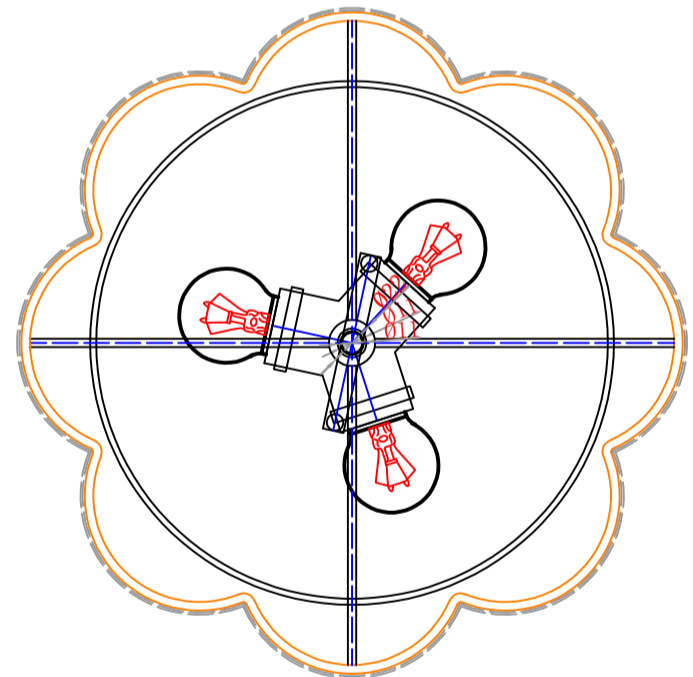
Installation Steps

1. Screw on the light bulb.
2. Lock the "mounting bracket" onto the ceiling wire box.
3. Connect the power cord properly.
4. Use "Screws" to lock the canopy onto the "mounting bracket".
5. Press the switch to test the light.

The end!



If the acrylic plate is broken, please replace it with a spare acrylic plate!



Matters Need Attention

1. Before installing, cleaning lamps and replacing bulbs, the power supply should be CUT OFF.
2. Rated voltage 110-130V. Install your bulbs into the sockets on the lamp holder assembly inside the shade (1). This fixture has been rated for 3*E26 bulbs (not included) up to 60W each.
3. Wearing gloves before installing. AVOID scratching the surface of lampshade and wires when installing. Please do not collide with the lamp tube to avoid injury.
4. Never install it on an uneven ceilings. Keep flammable items such as paper and cloth away from the rattan ceiling light fixtures.(to avoid fire)
5. The lampshade must not be close to corrosive chemicals and gases containing acids and bases, and must not be cleaned directly. You can only try it with a clean soft cloth.
6. PLEASE do not touch the lamp tube during use or after turning off the lamp (to avoid burns)
7. Recommend do not use it in places with high humidity or high temperature. Recommended for indoor use
8. Pay attention to handle with care when using it, and try to reduce the number of movements to prevent the bulb from being damaged.