
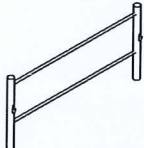
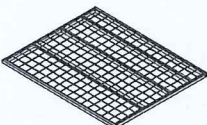
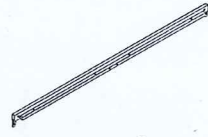
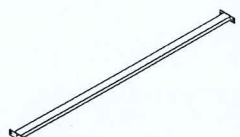






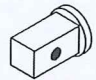


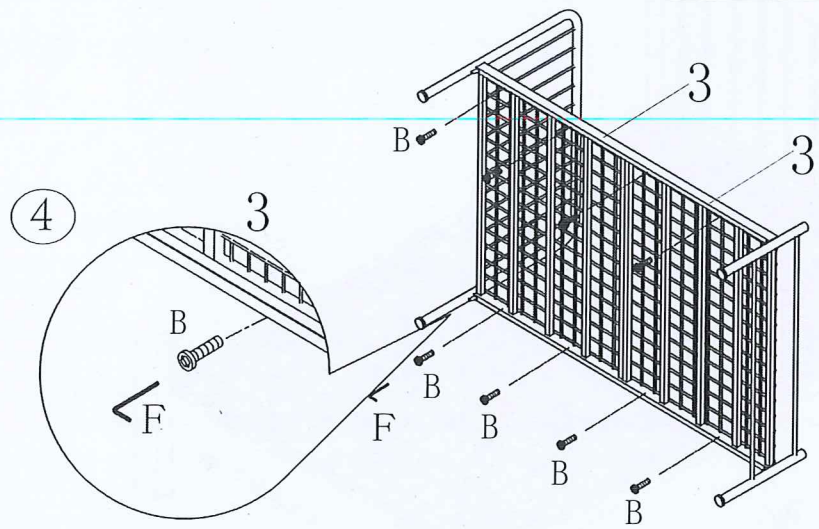
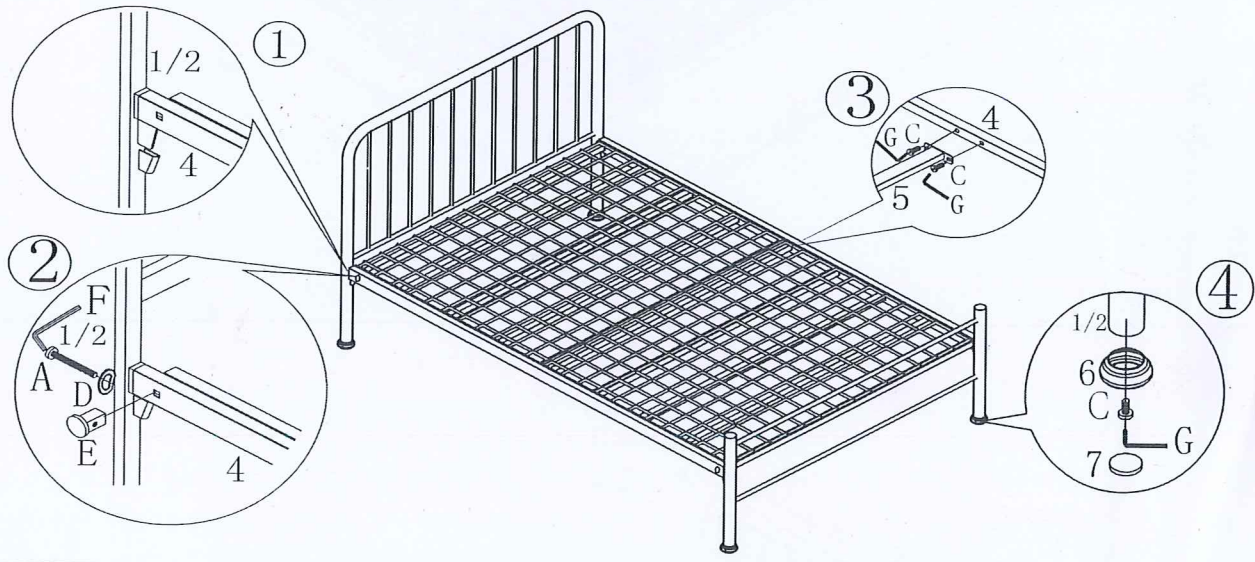


Assembly Instructions

BUS40/46

| | | | | | | | | | |
|-----------------------------------------------------------------------------------|-----------------------------------------------------------------------------------|-----------------------------------------------------------------------------------|-----------------------------------------------------------------------------------|-----------------------------------------------------------------------------------|-----------------------------------------------------------------------------------|------------------------------------------------------------------------------------|-------------------------------------------------------------------------------------|-------------------------------------------------------------------------------------|--|
| 1 | | 2 | | 3 | | 4 | | 5 | |
|  | |  | |  | |  | |  | |
| Headboard x1pc | | Footboard x1pc | | Mattress bed frame x2pcs | | Side rail x2pcs | | Horizontal rail x1pc | |
| 6 | 7 | A | B | C | D | E | F | G | |
|  |  |  |  |  |  |  |  |  | |
| Leg Cap x4pcs | EV pad x4pcs | Bolt M8x100 4pcs | Bolt M6x35 8pcs | Bolt M6x16 8pcs | ARC WASHER M8x22 4pcs | Insert nut 4pcs | Allen key 5MM 1pc | Allen key 4MM 1pc | |



PLEASE NOTE: If your bed legs are placed onto a wooden floor, or any type of flooring that is deemed as 'slippery', it is your responsibility to ensure that the protective rubber or plastic on the base of any legs associated with the bed frame have not worn away. Unless your bed frame is physically fixed to the floor in any way, it is highly likely your bed frame will move as you enter and leave your bed.

If you find that upon checking the legs the rubber or plastic has worn away, you should ensure that some kind of floor protection is placed underneath the legs, such as adhesive floor pads. We highly recommend using floor protection pads with a high adhesion level.