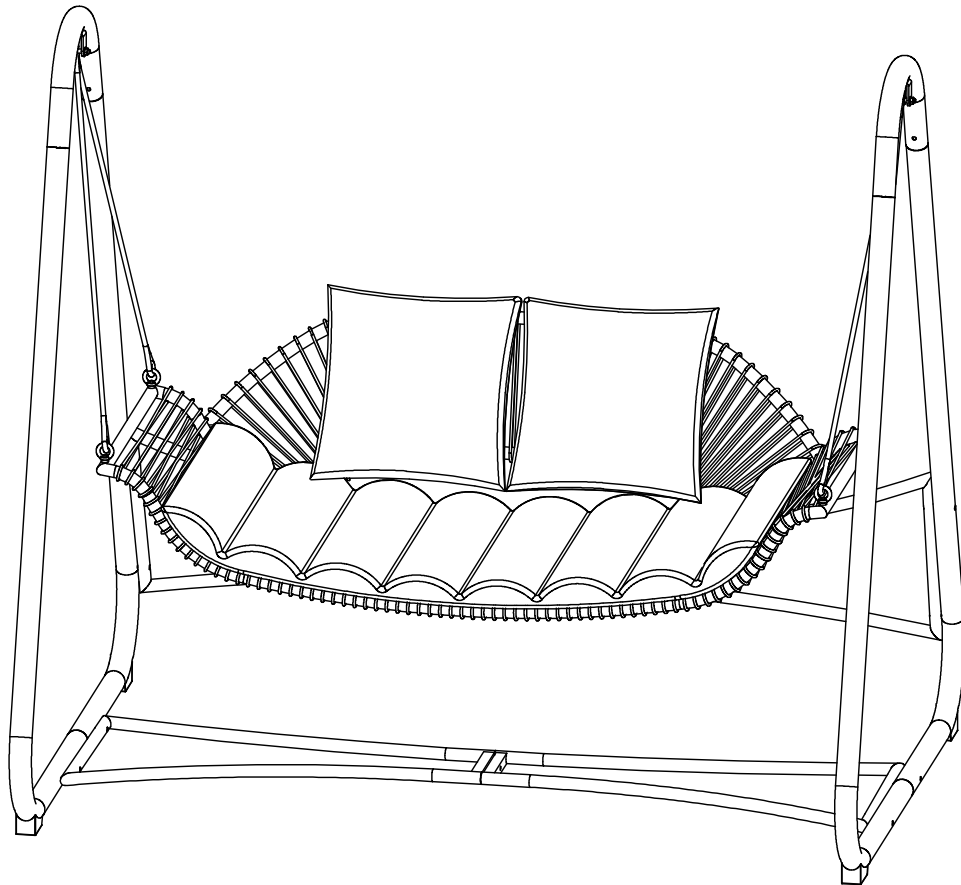


Patio 2-Seat Swing

ASSEMBLY MANUAL



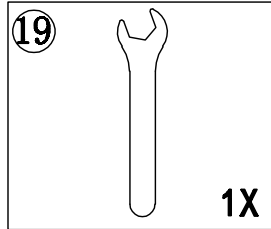
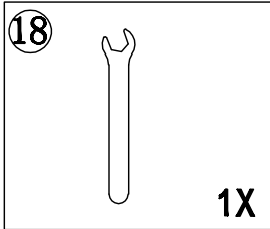
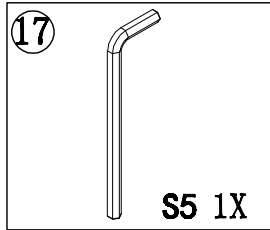
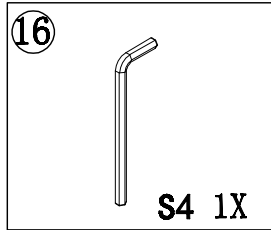
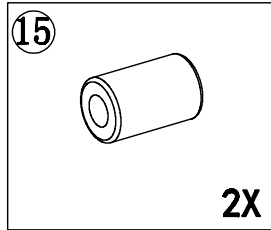
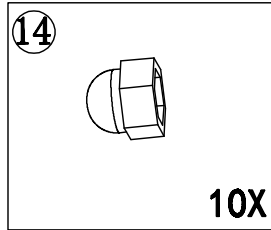
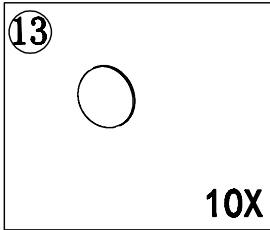
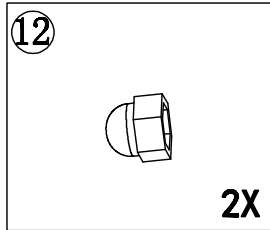
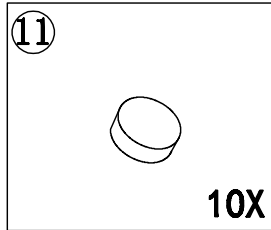
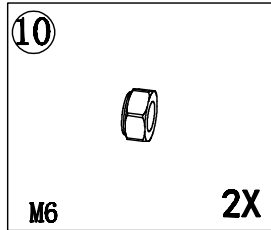
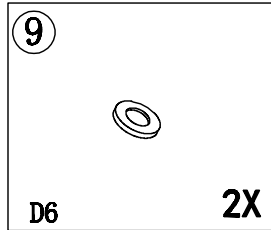
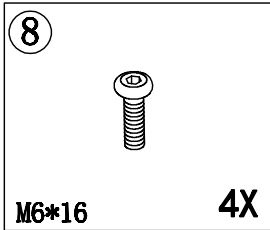
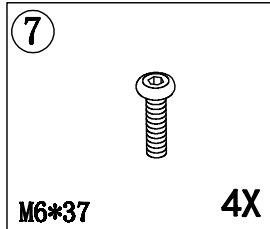
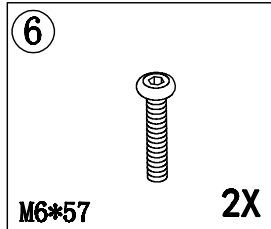
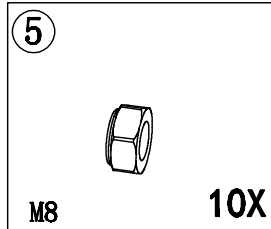
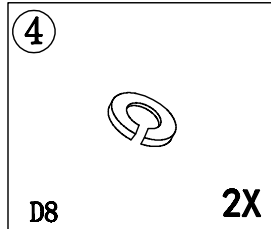
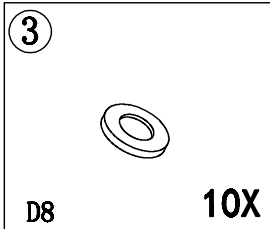
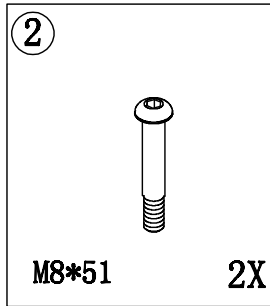
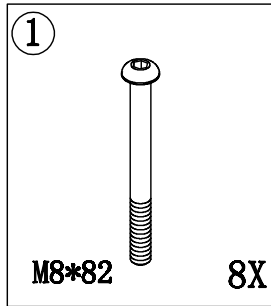
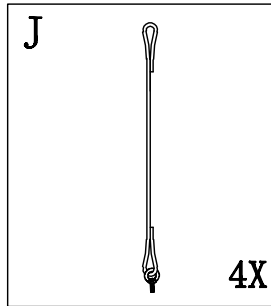
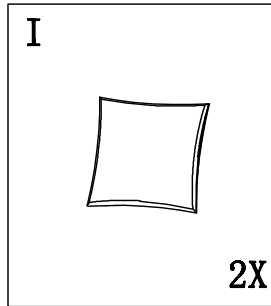
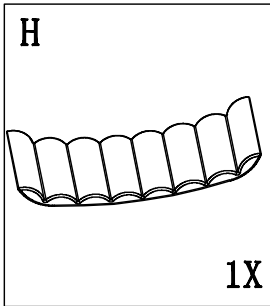
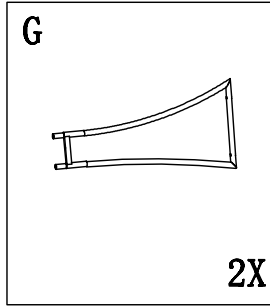
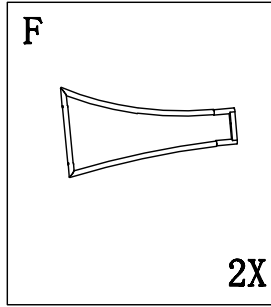
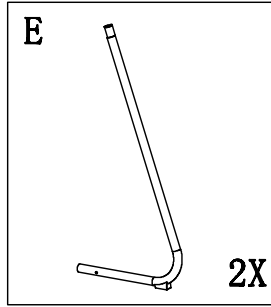
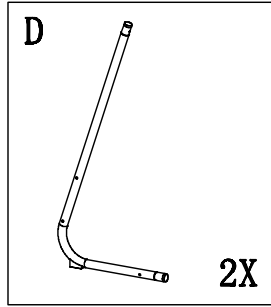
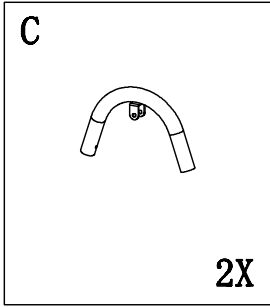
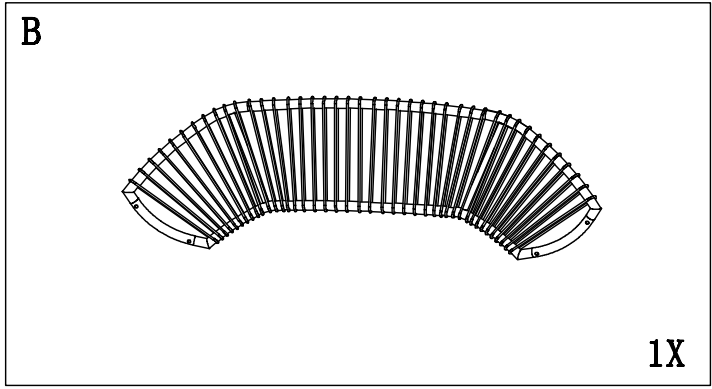
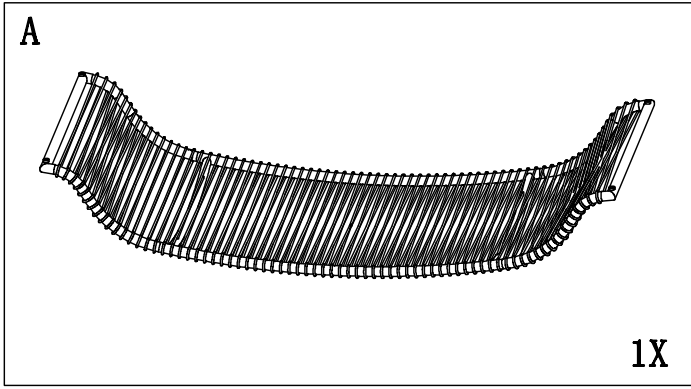



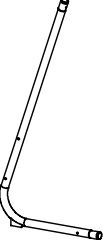

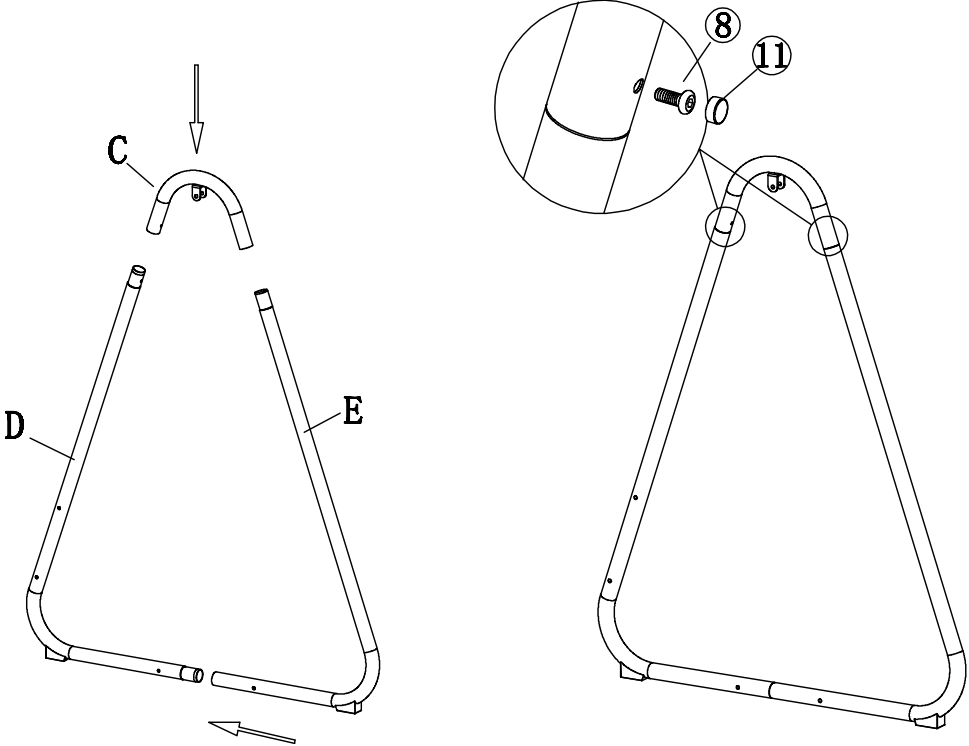





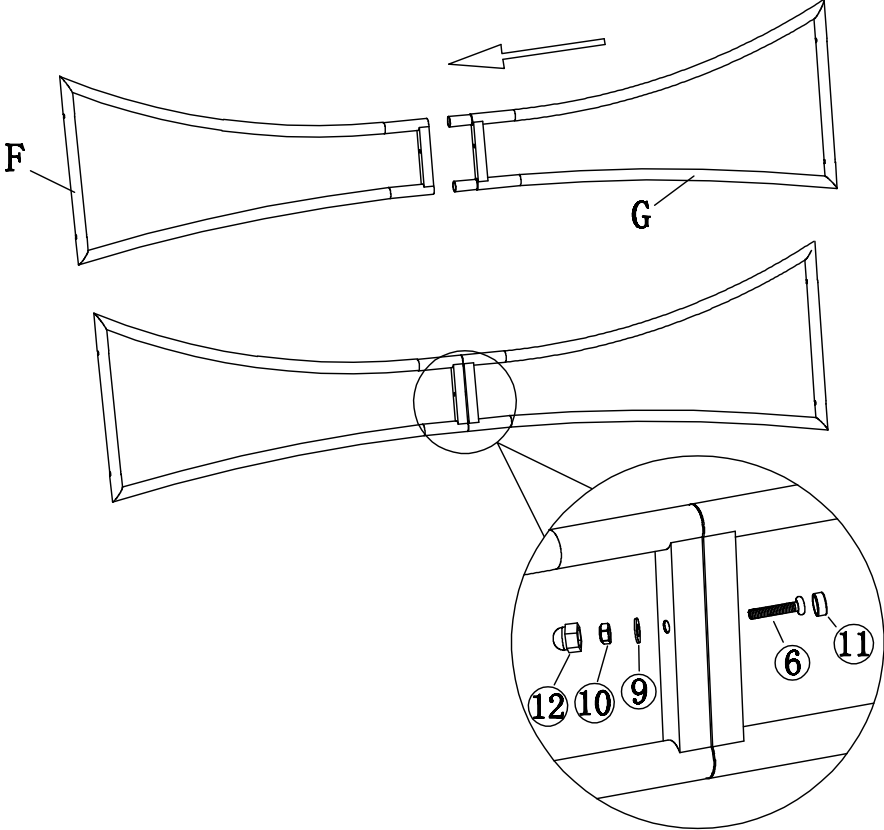





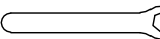

READ & SAVE BELOW INSTRUCTIONS BEFORE ASSEMBLY

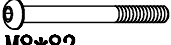



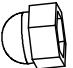

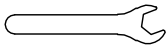
1. Please separate and identify all parts, making sure that you have all of the parts listed.
2. To avoid any scratch during assembly, please assemble on a soft mat or similar.
3. Please assemble step by step and follow the instructions.
4. Washers must be used.
5. While each screw and nut is properly fastened, do not over fasten it.
6. Do not completely fasten each screw and nut until all the screws are properly fixed.

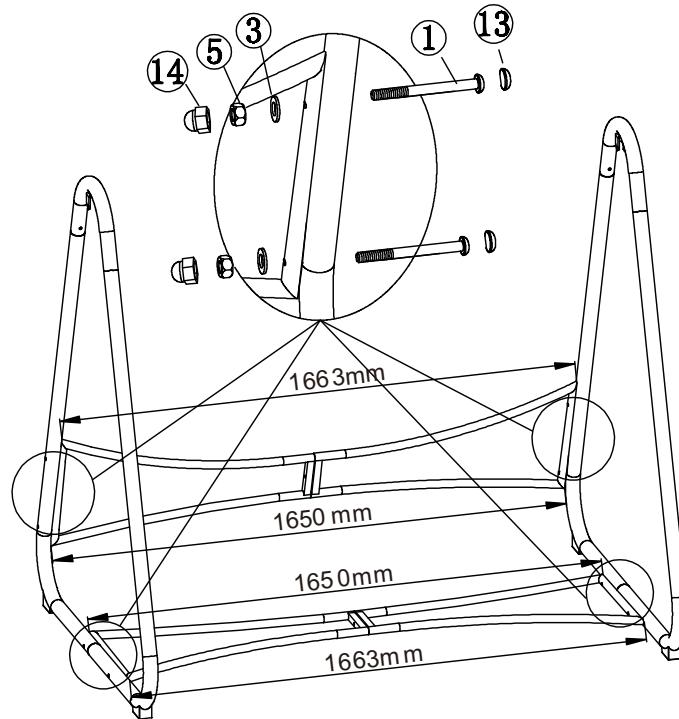
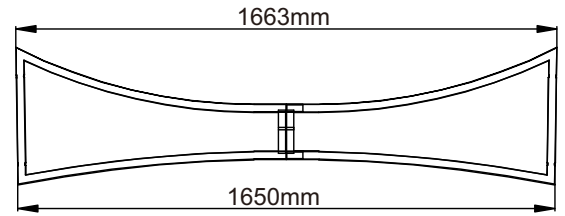
CARE AND CLEANING:

1. To clean, wipe with damp cloth. Do not use bleach, acid solvents or abrasive cleaners or frame parts.
2. During varying weather conditions and winter period, we strongly recommend that it can be stored in a dry area with a suitable cover before storage, please insure it is clean and dry.
3. In the event of bare metal showing due to scratch, it is preferred to treat with a rust repelling varnish or similar.
4. Periodically check and ensure that all the screws are completely tighten.
5. A matching furniture cover is strongly recommended to extend the usage life-span.



 <p>C 2X</p>	
 <p>D 2X</p>	
 <p>E 2X</p>	
 <p>M6*16 ⑧ 4X</p>	<p>(1) Insert part #E to #C</p>
 <p>⑪ 4X</p>	<p>(2) Connect part #C, D and E with 2 screws #8. Cover with plastic caps #11 as shown in diagram.</p>
 <p>⑯ S4 1X</p>	<p>Repeat the above procedures to assemble the other Part #C, D and E.</p>
 <p>F 2X</p>	
 <p>G 2X</p>	
 <p>M6*57 ⑥ 2X</p>	
 <p>D6 ⑨ 2X</p>	
 <p>M6 ⑩ 2X</p>	
 <p>⑪ 2X</p>	
 <p>⑫ 2X</p>	
 <p>⑱ 1X</p>	
 <p>⑯ S4 1X</p>	
<p>1</p>	<p>(3) Connect part #F and G with screws #6/ gasket #9 & nuts #10, then cover with plastic caps #11 & #12 as shown in diagram. Repeat the above procedures to assemble the other Part F and G.</p>

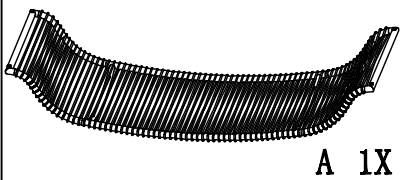
	① 8X
M8*82	
	③ 8X
D8	
	⑤ 8X
M8	
	⑬ 8X
	⑭ 8X
	⑰ S5 1X
	⑱ 1X



(4) Connect swing leg (#C/D/E) and support tube (#F/G) with 8 screws #1/ gaskets #3 & nuts #5, then cover with plastic caps #13 and #14 as shown in diagram.

Repeat the above procedures to assemble the other part C/D/E and part F/G.

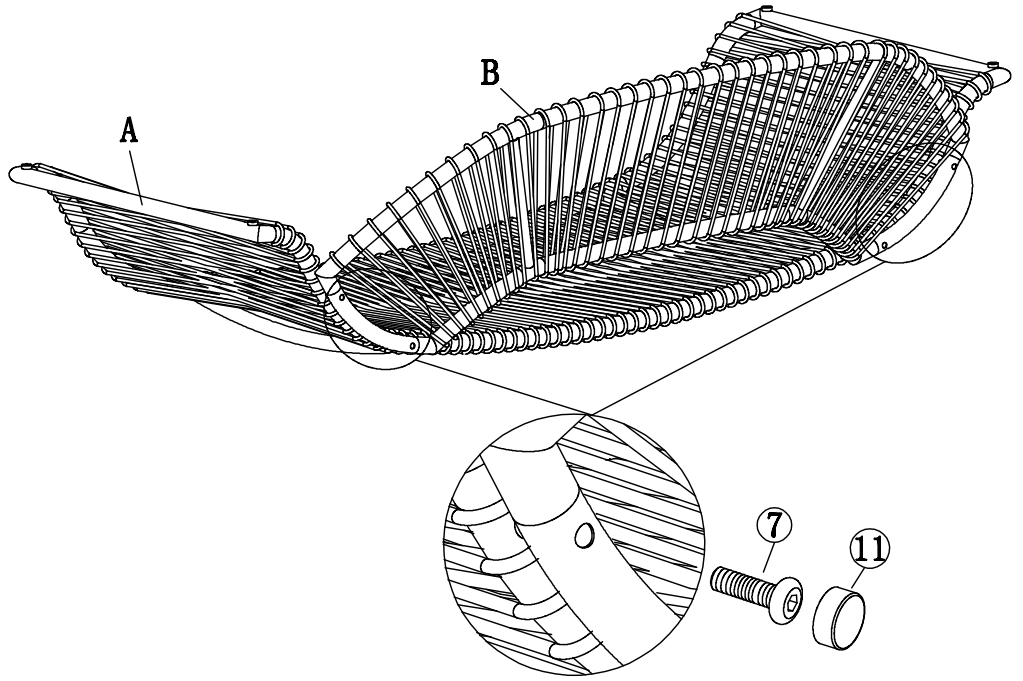
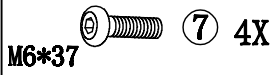
Note: Pay attention to the upper and lower installation directions of the support tube to avoid swings seat being hit to the support tube during use.



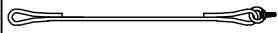
A 1X



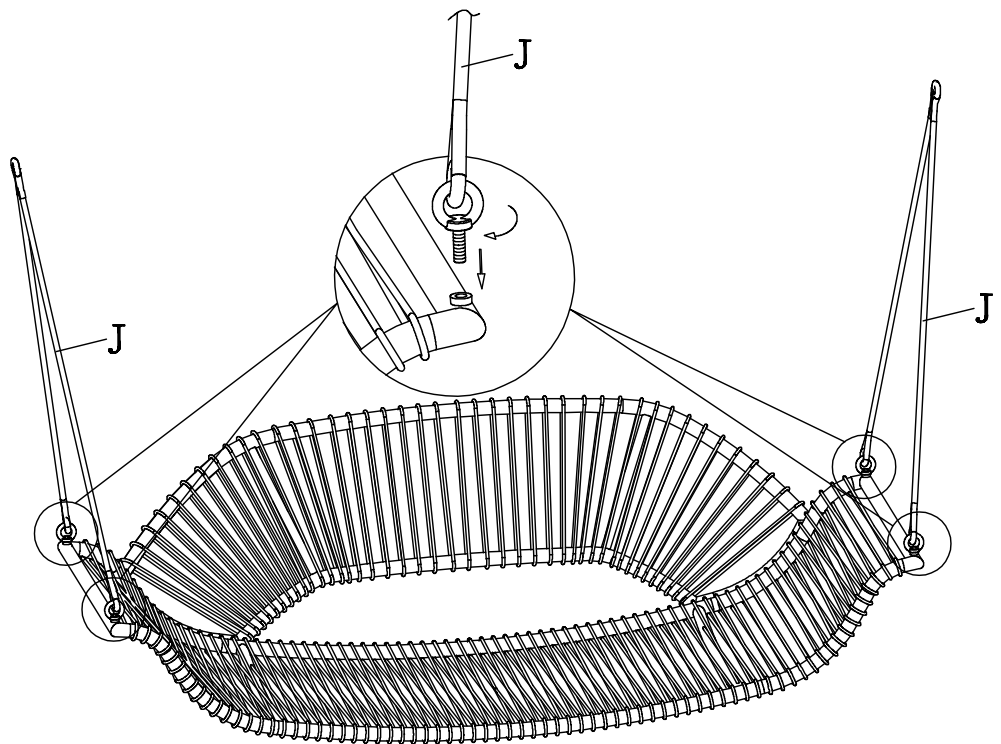
B 1X



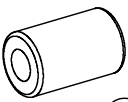
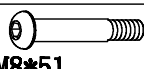




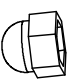

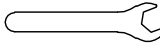
(5) Connect part #A and B with 4 screws #7, then cover with plastic caps #11 as shown in diagram .

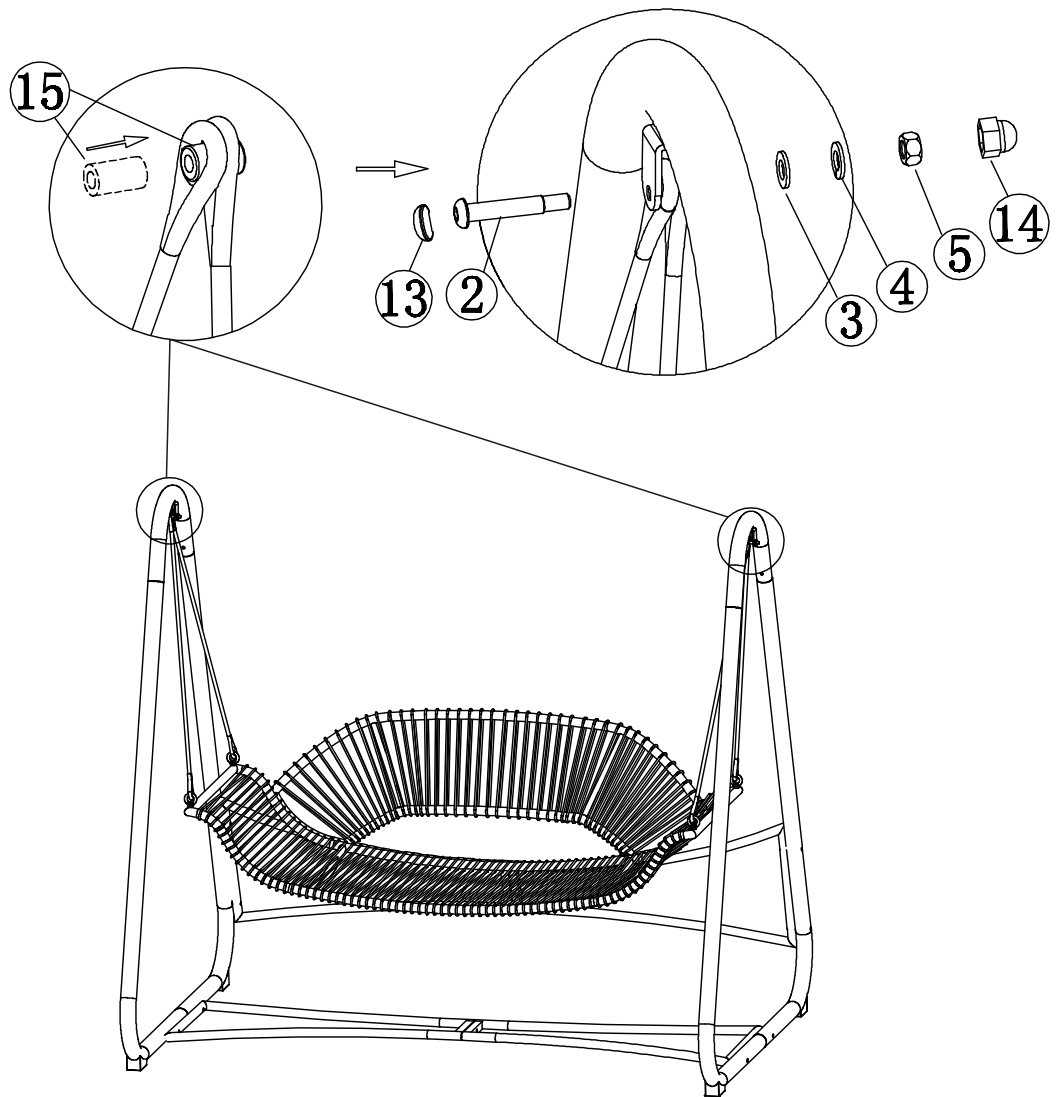


J 4X



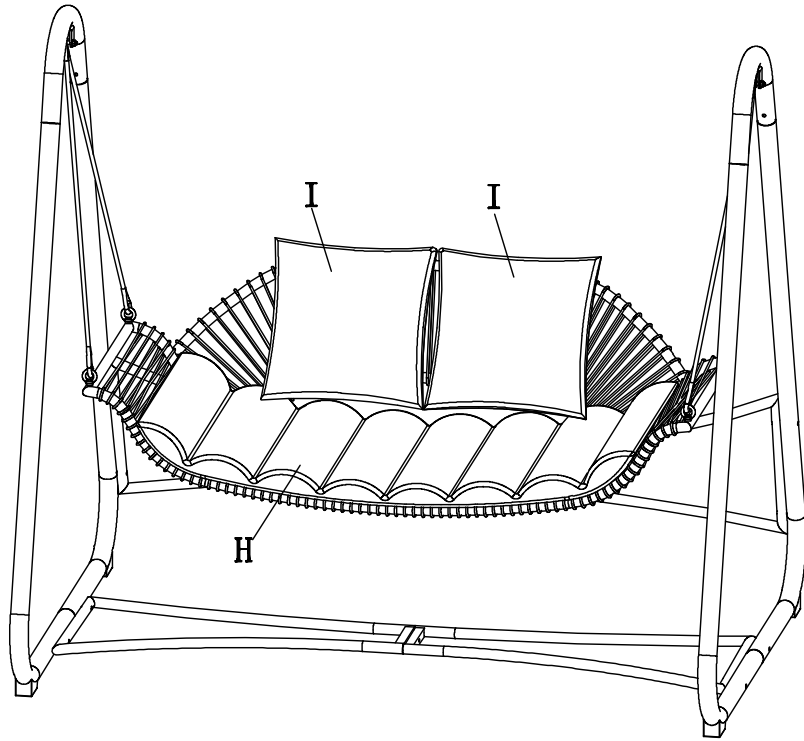
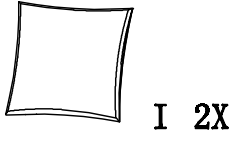
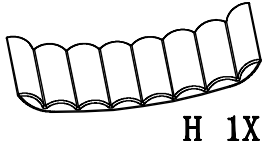
(6) Attach 4 hanging rope #J to the swing seat with the screws on # J.

	⑮ 2X
	② 2X M8*51
	③ 2X D8
	④ 2X D8
	⑤ 2X M8
	⑬ 2X
	⑭ 2X
	⑰ S5 1X
	⑱ 1X



(7) Insert part #15 to the rope eyelet, attach to the swing legs with screws #2/ gaskets #3/lock washers #4 and nuts #5, then cover with plastic caps #13 and #14.

Repeat the above procedures to assemble another side.



(8) Put on the cushion and pillows then enjoy a lazy time.