

## CARE AND MAINTENANCE

Hardware may loosen overtime. Periodically check that all connections are tight. Wipe with a soft, dry cloth. To protect finish, avoid the use of chemicals and household cleaners. All hot serving dishes should be placed on a pad. Any liquid spilled onto the furniture should be cleaned up immediately with a damp cloth.



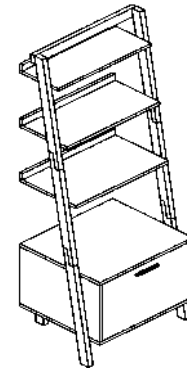
**ID : ETG9404**

**DIMENSION : 25.03" X 15.35" X 72.04"**

## NOTICE






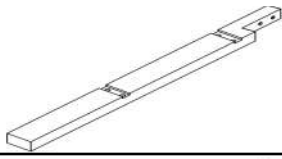
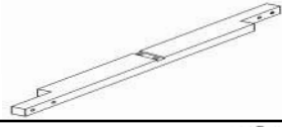
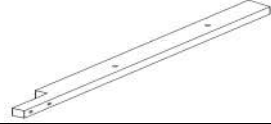
- Please make sure that you have all parts indicated before you begin assembly of this item
- This item should be assembled on a soft surface to prevent scratching the finish during assembly
- This item may require periodic tightening








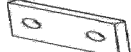





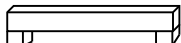




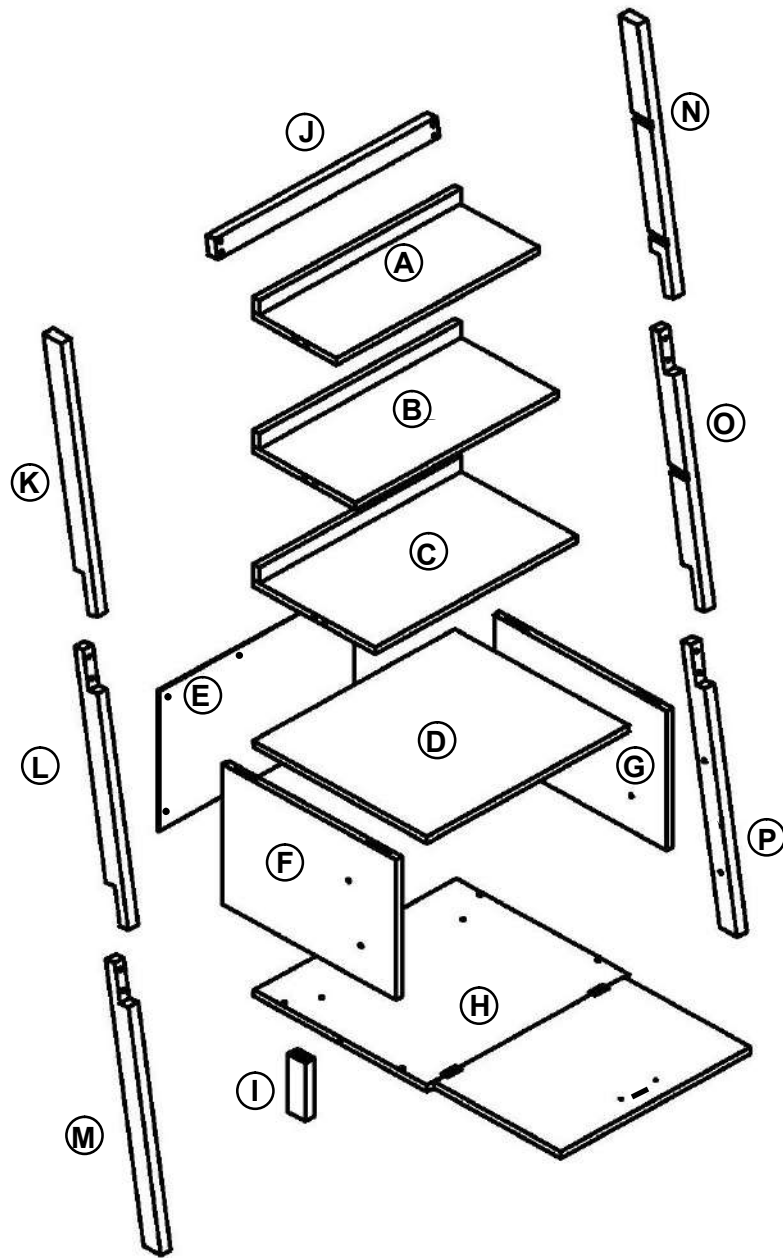
**THIS ITEM IS NOT A STEP LADDER. DO NOT STAND ON THIS ITEM. TO PREVENT AGAINST POTENTIAL INJURIES AND STRUCTURAL FAILURES, THIS ITEM SHOULD NOT BE USED FOR OTHER THAN ITS INTENDED PURPOSES. THIS ITEM IS FOR RESIDENTIAL SURROUNDINGS. PLEASE REGULARLY INSPECT THIS ITEM FOR LOOSE OR MISSING SCREWS OR RIVETS, METAL FATIGUE, CRACKS, BROKEN WELDS, MISSING ATTACHMENTS AND GENERAL INSTABILITY. IMMEDIATELY REMOVE FROM SERVICE TO BE REPLACED OR REPAIRED. DO NOT EXCEED THE WEIGHT CAPACITY. FAILURE TO FOLLOW THESE WARNINGS COULD RESULT IN SERIOUS INJURY.**

## Part List and Hardware List

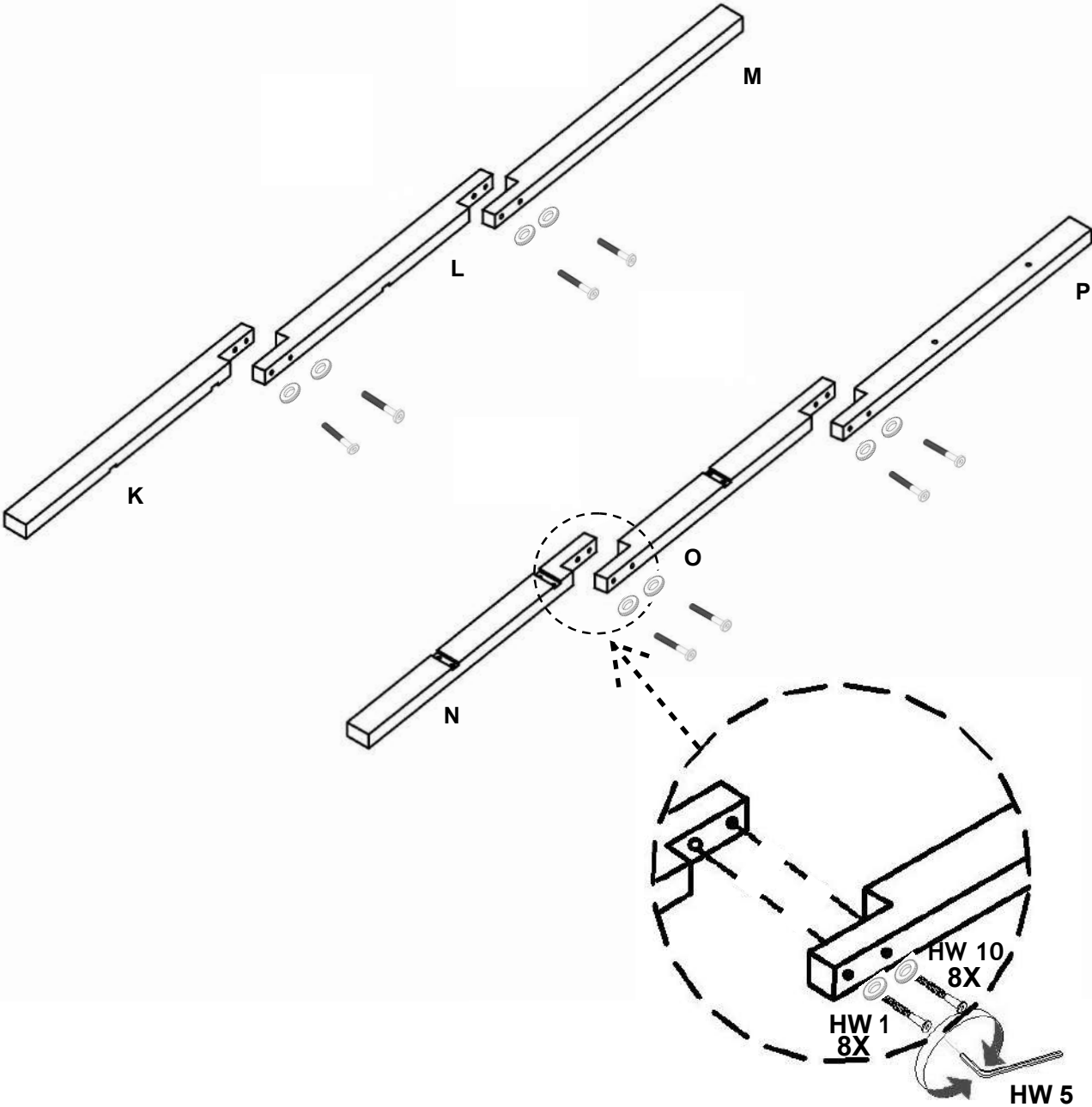
PIECE	DESCRIPTION	PICTURE	QUANTITY
A	Shelves A		1x
B	Shelves B		1x
C	Shelves C		1x
D	Top Panel		1x
E	Back Panel		1x
F	Side Left Panel		1x
G	Side Right Panel		1x
H	Bottom Panel & Front Panel/Door		1x
I	Bottom Leg		2x
J	Bar Top		1x

K	Left Upper Leg		1x
L	Left Middle Leg		1x
M	Left Lower Leg		1x
N	Right Upper Leg		1x
O	Right Middle Leg		1x
P	Right Lower Leg		1x

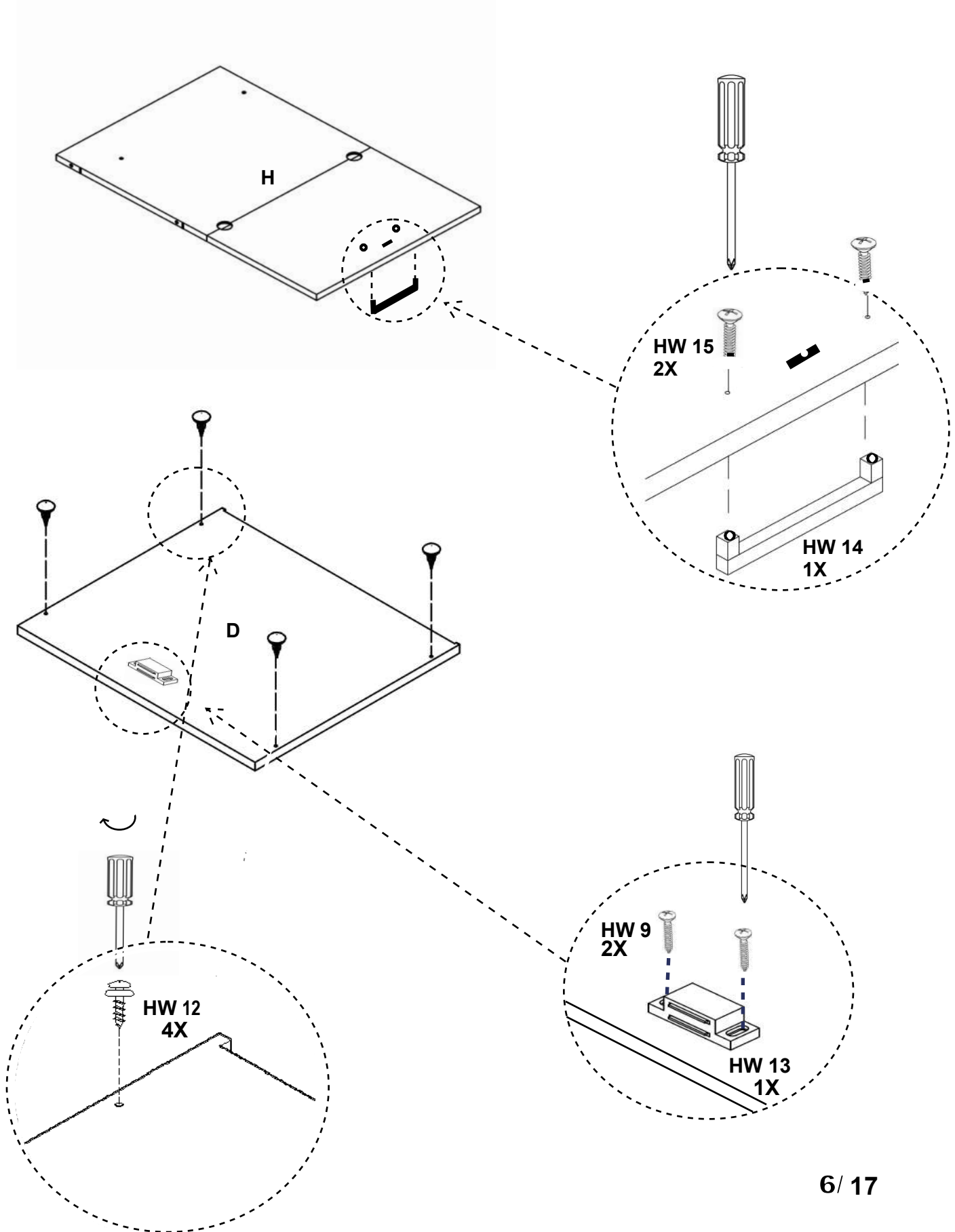
HW 1	Bolt M6 x 35 MM		26x
HW 2	Dowel Ø8 x 32 MM		20x
HW 3	L Plate		1x
HW 4	Fisher S6		1x
HW 5	Allen Key L.4 MM		1x
HW 6	Screw 8 x 1 1/4"		1x
HW 7	Screw 8 x 5/8"		9x
HW 8	Metal Plate		2x
HW 9	Screw 8 x 1/2"		6x
HW 10	Flat Washer 6 MM		26x
HW 11	Gas Spring		2x
HW 12	Slot Screw		4x
HW 13	Magnetic Catches		1x
HW 14	Handle		1x
HW 15	Handle Bolt 4 x 20 MM		2x
HW 16	Screw 4 x 1/2"		8x



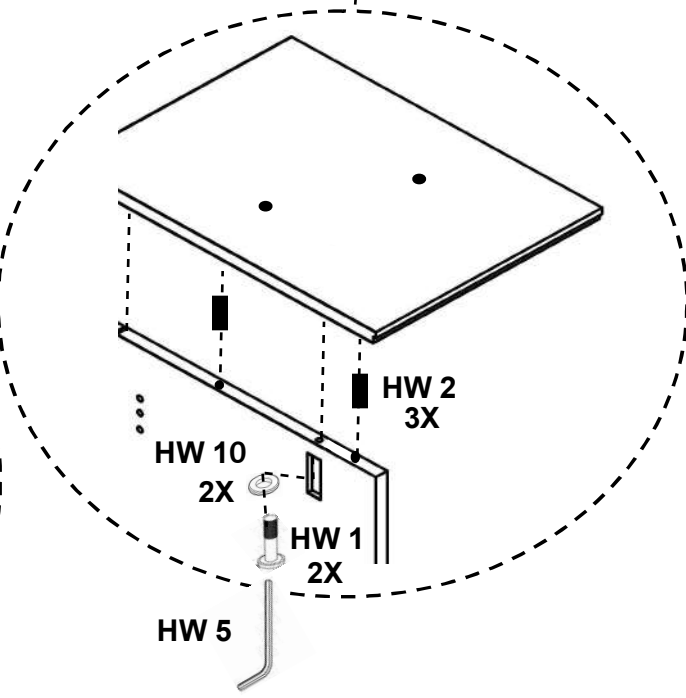
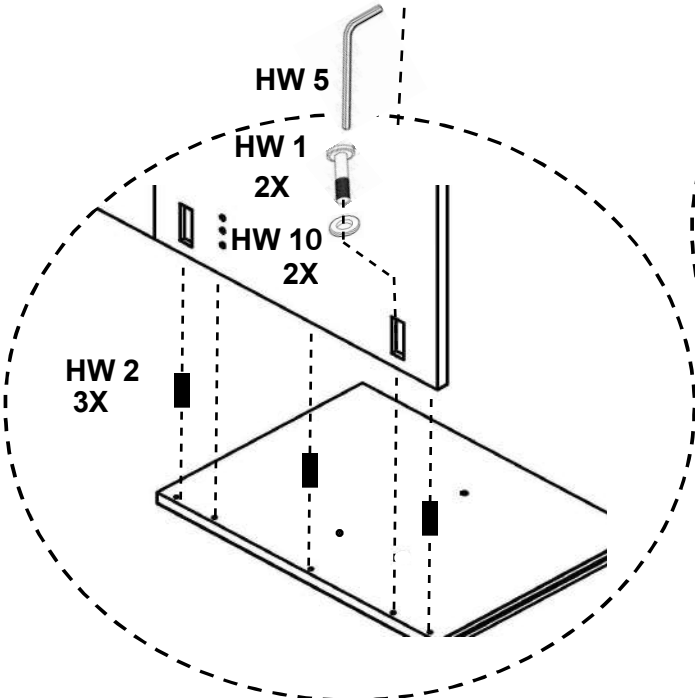
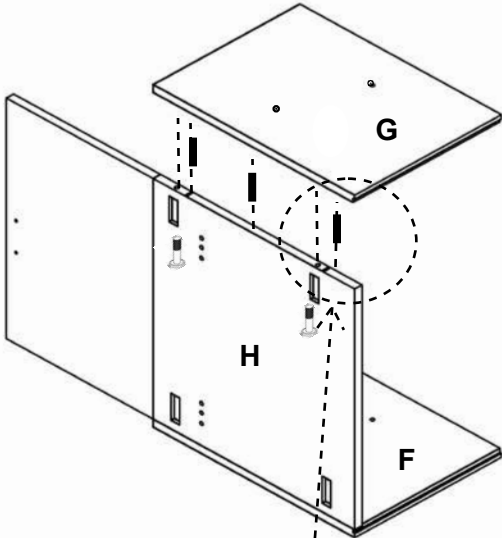
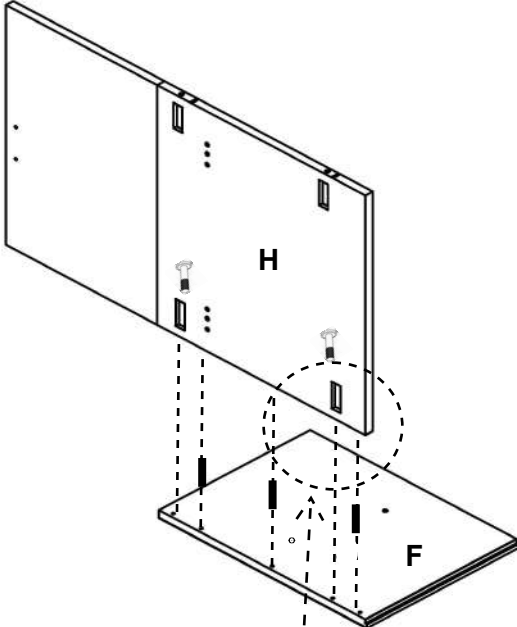
# STEP 1



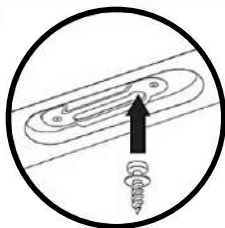
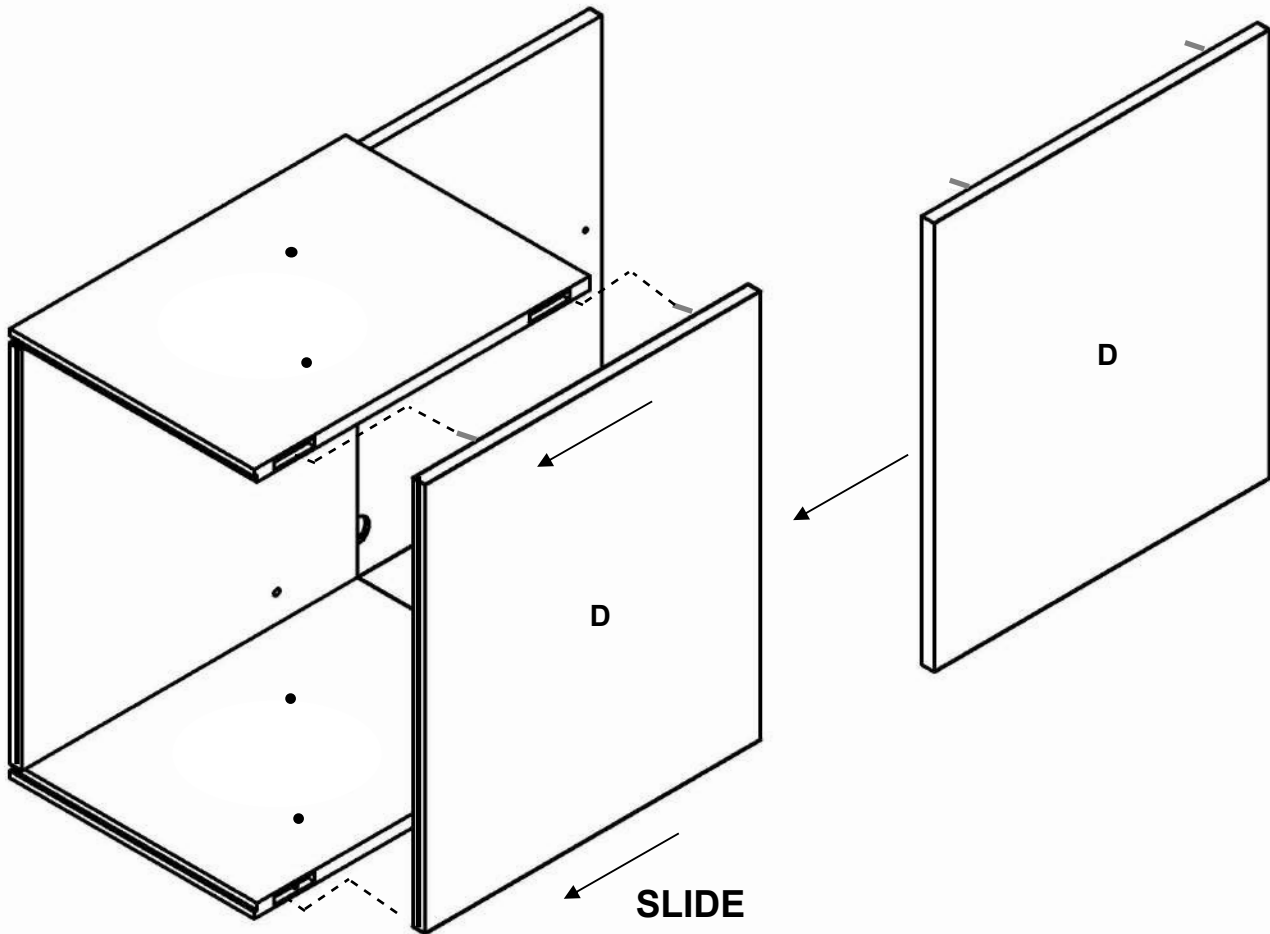
# STEP 2



# STEP 3

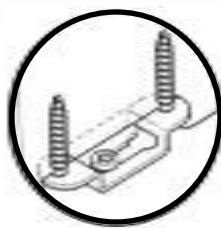


# STEP 4



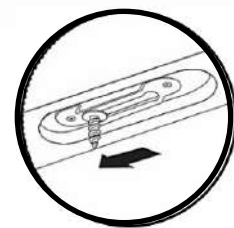
**ENTER**

1



**SLIDE**

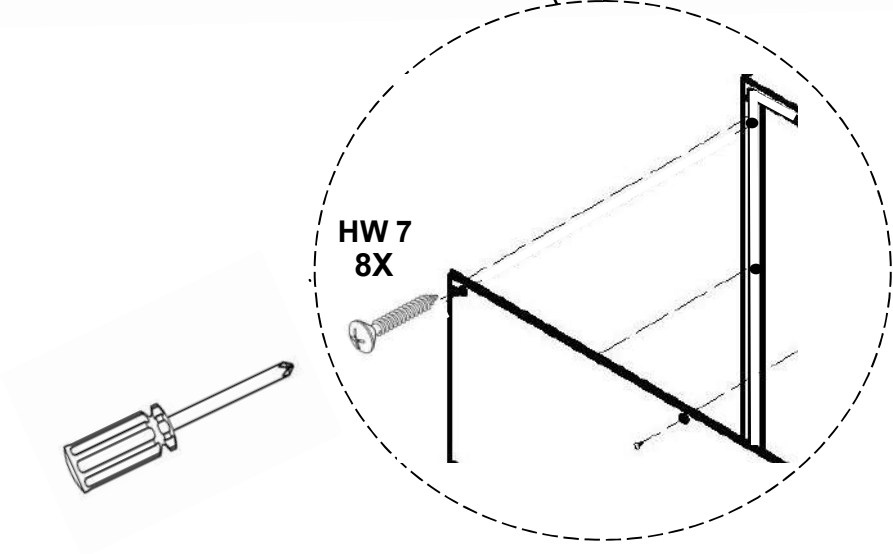
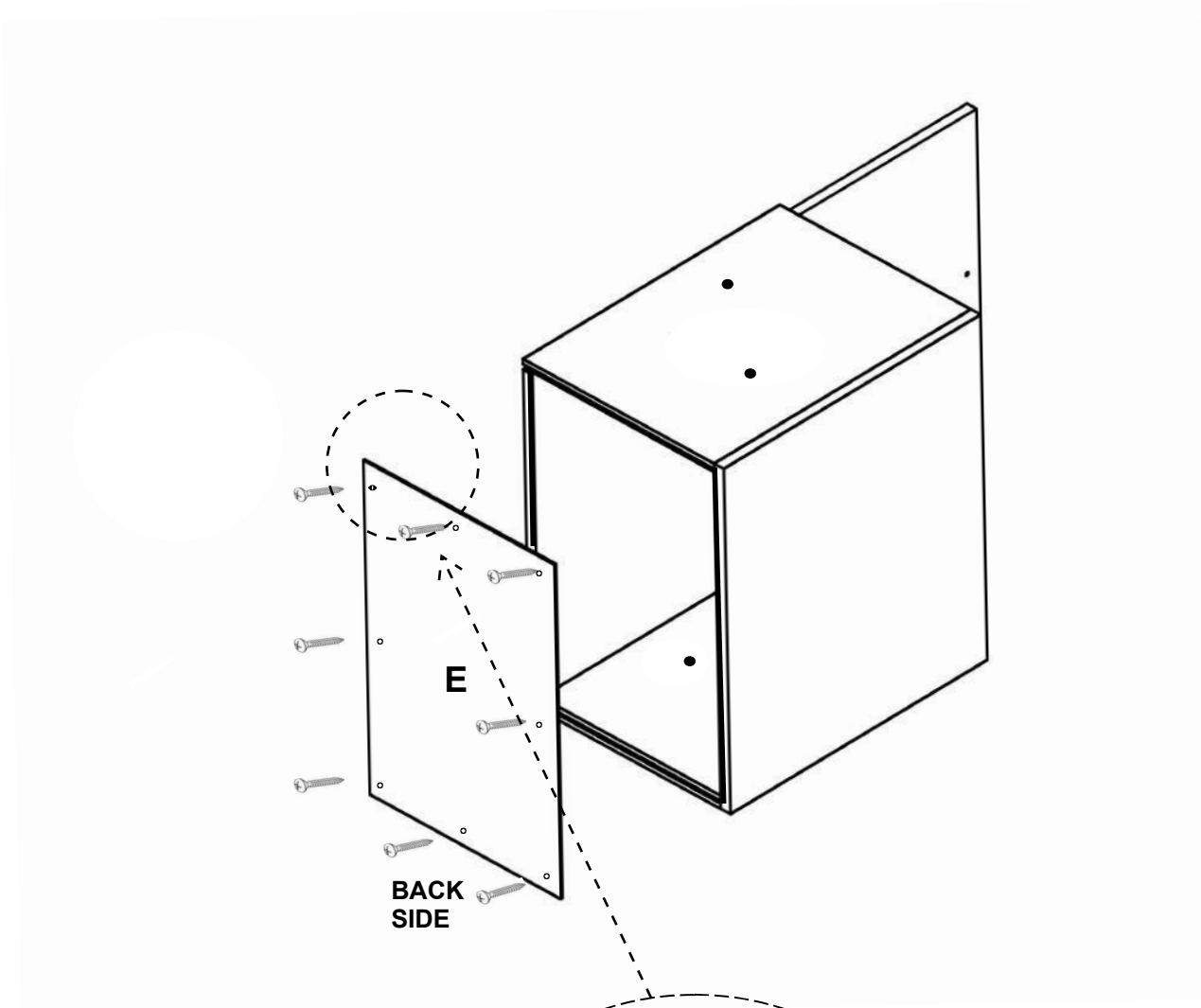
2



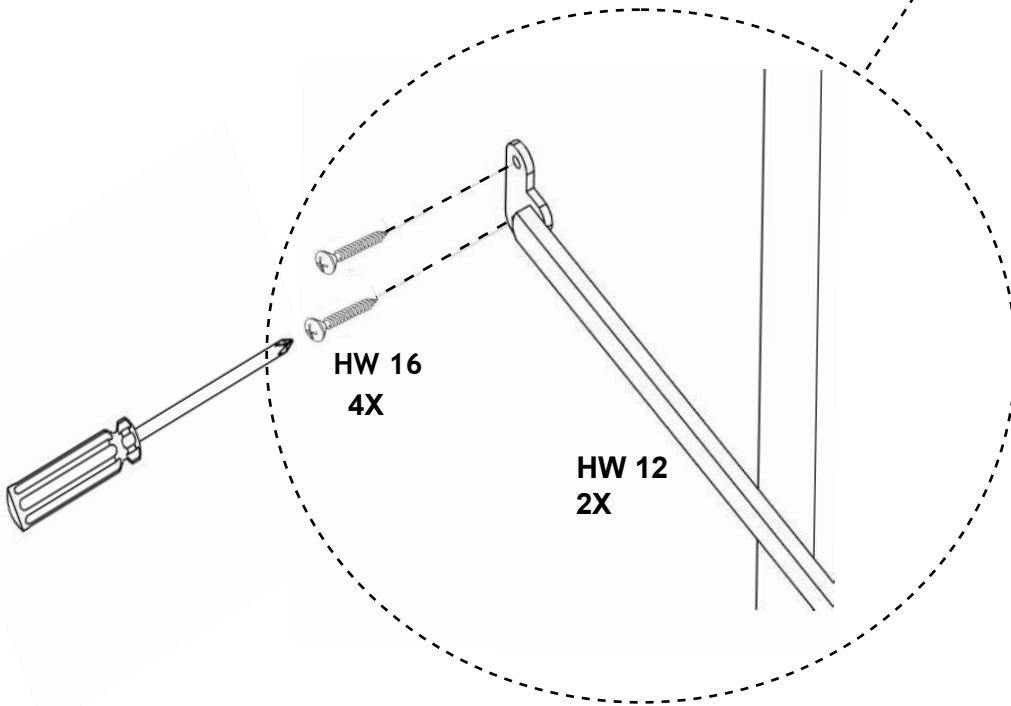
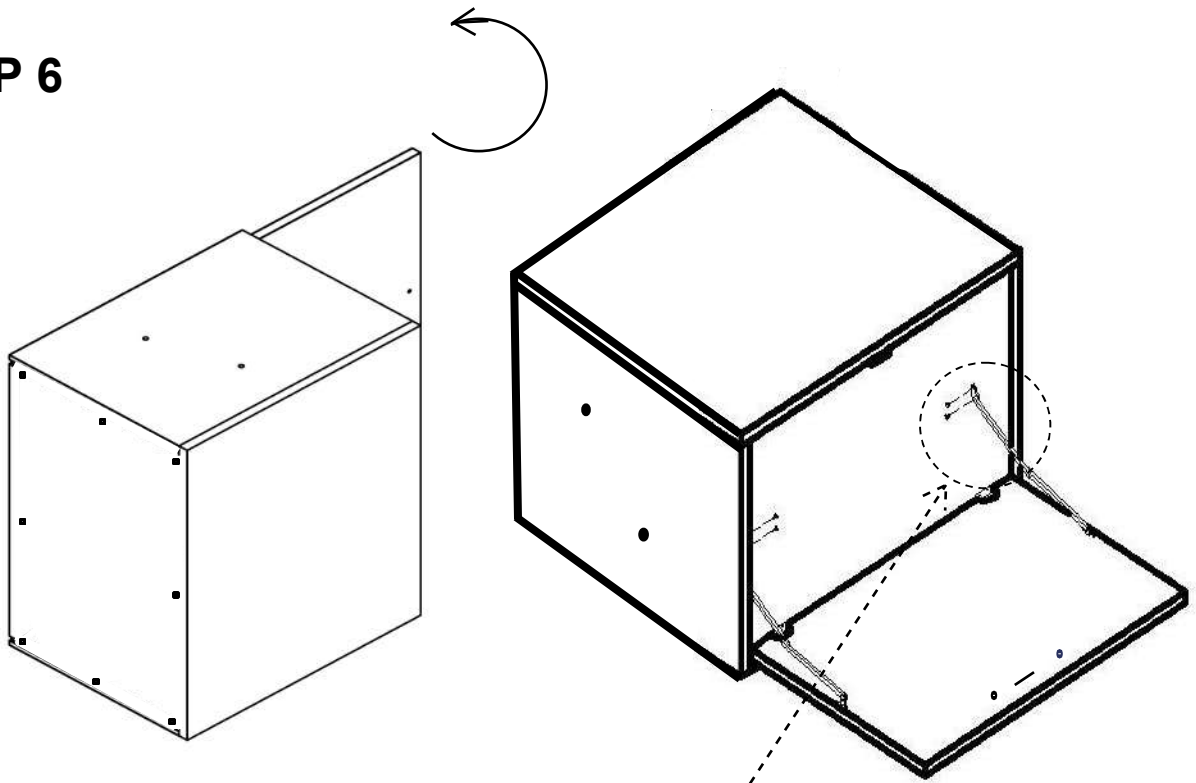
**LOCK**

3

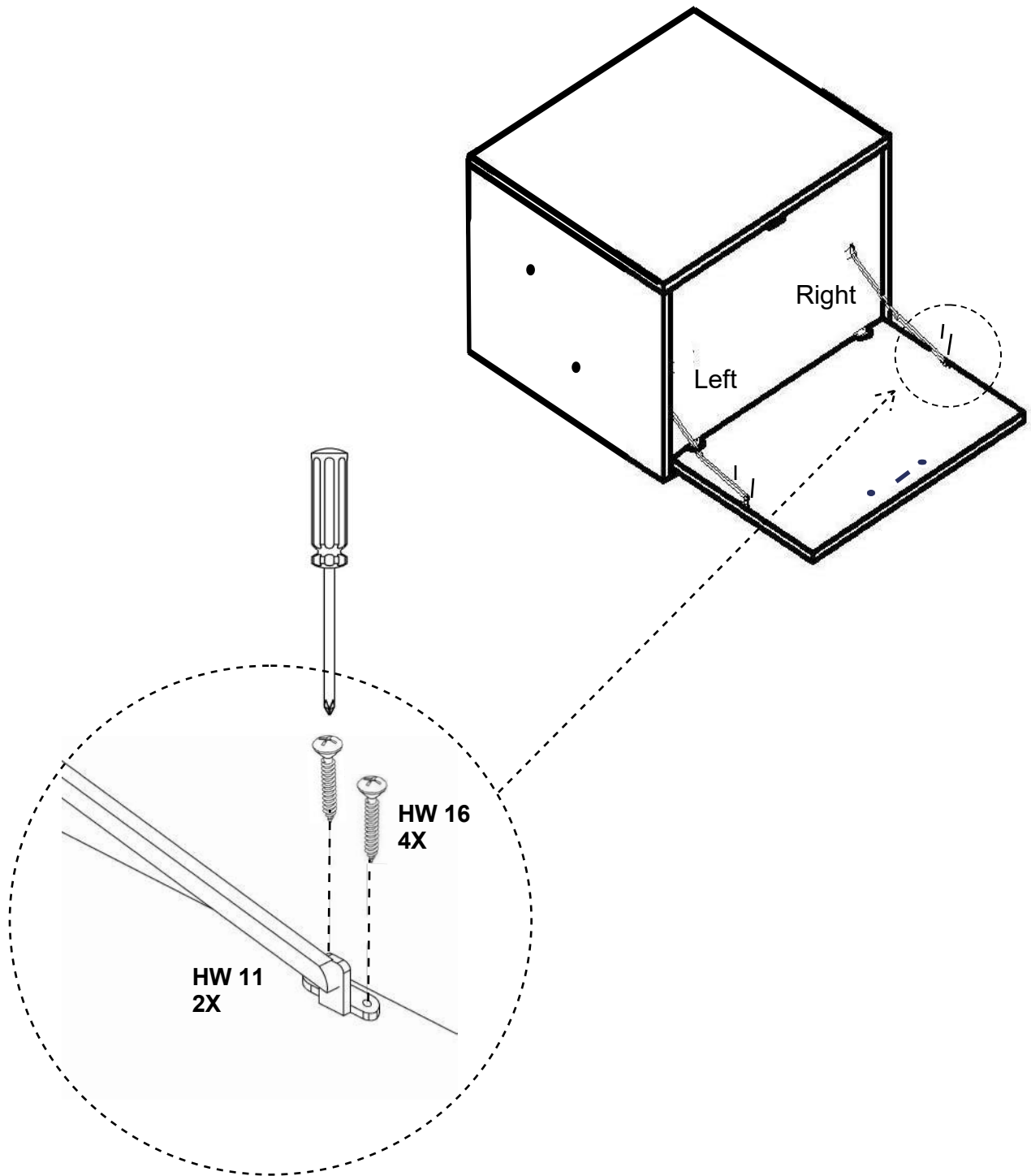
# STEP 5



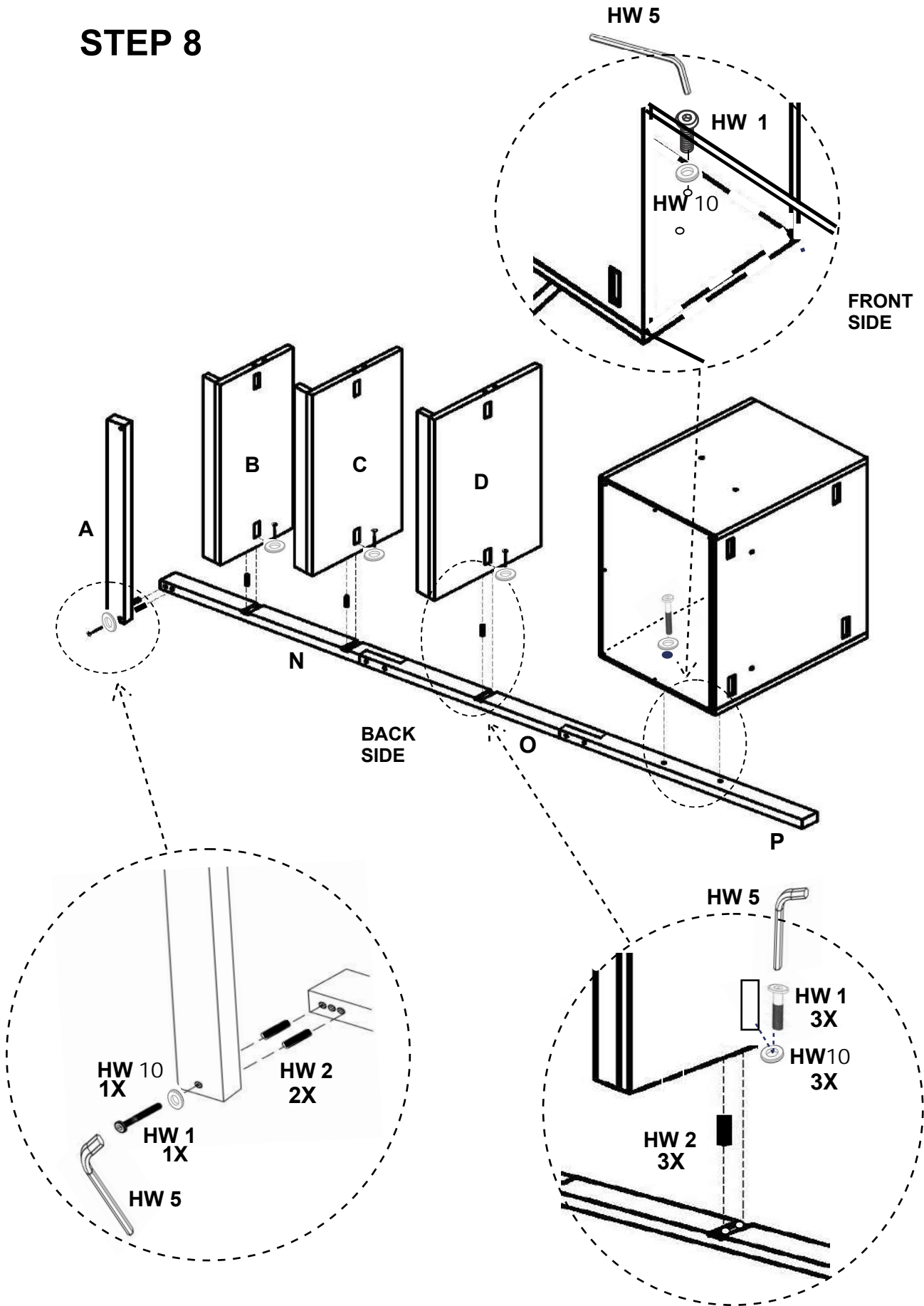
# STEP 6



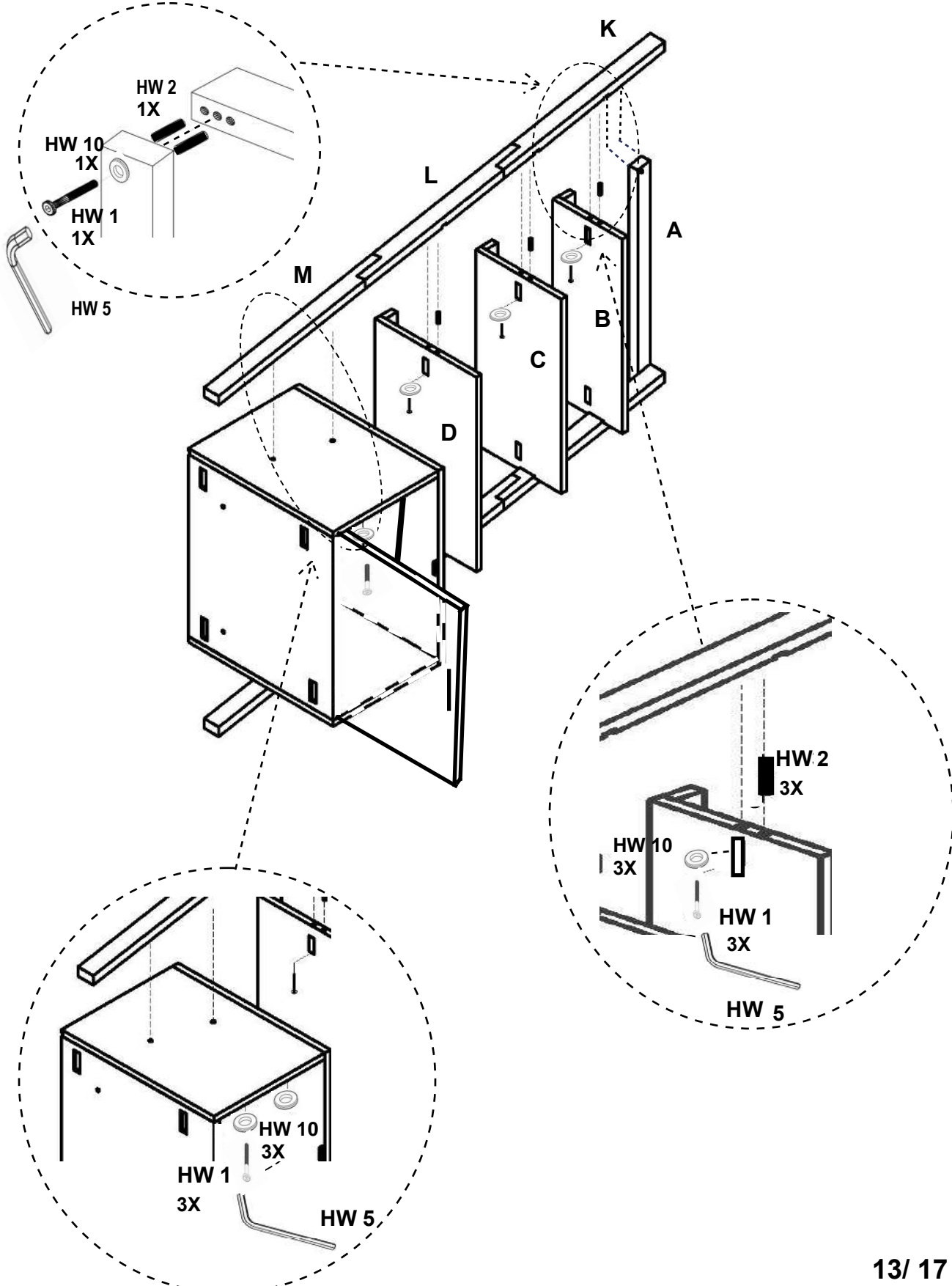
# STEP 7



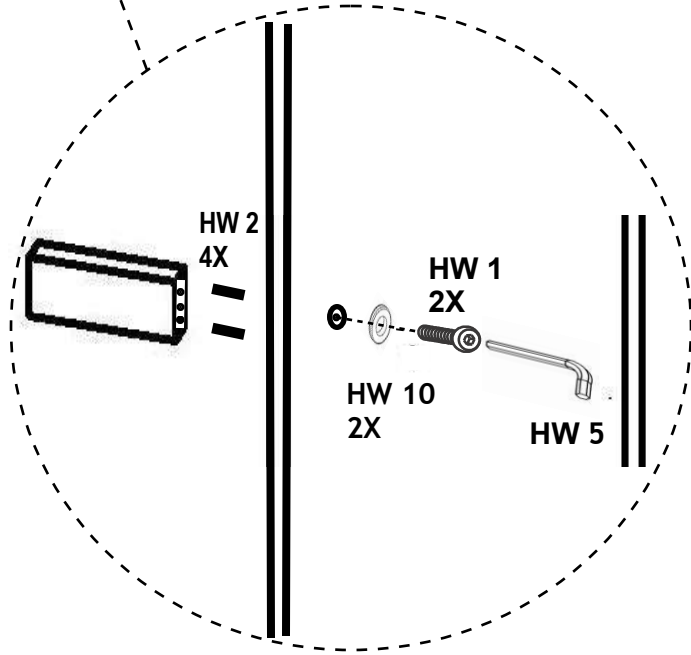
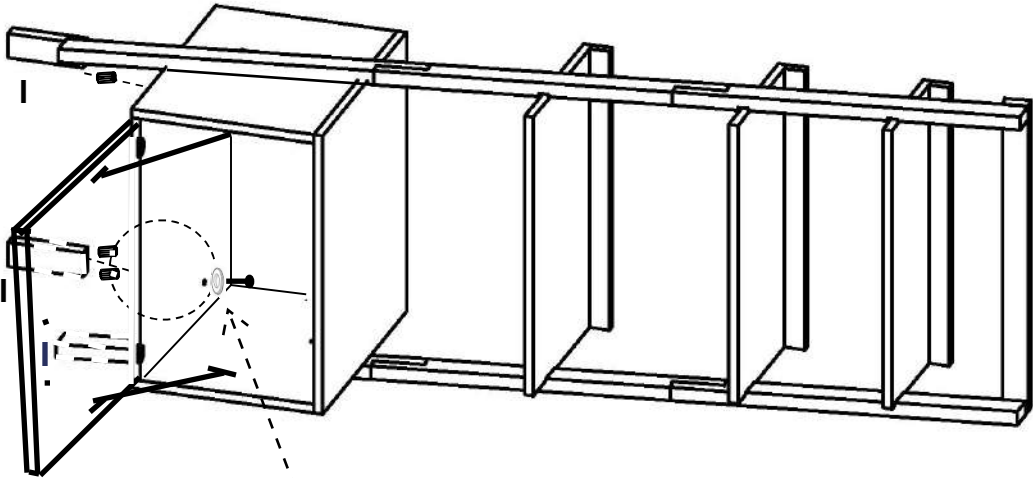
# STEP 8



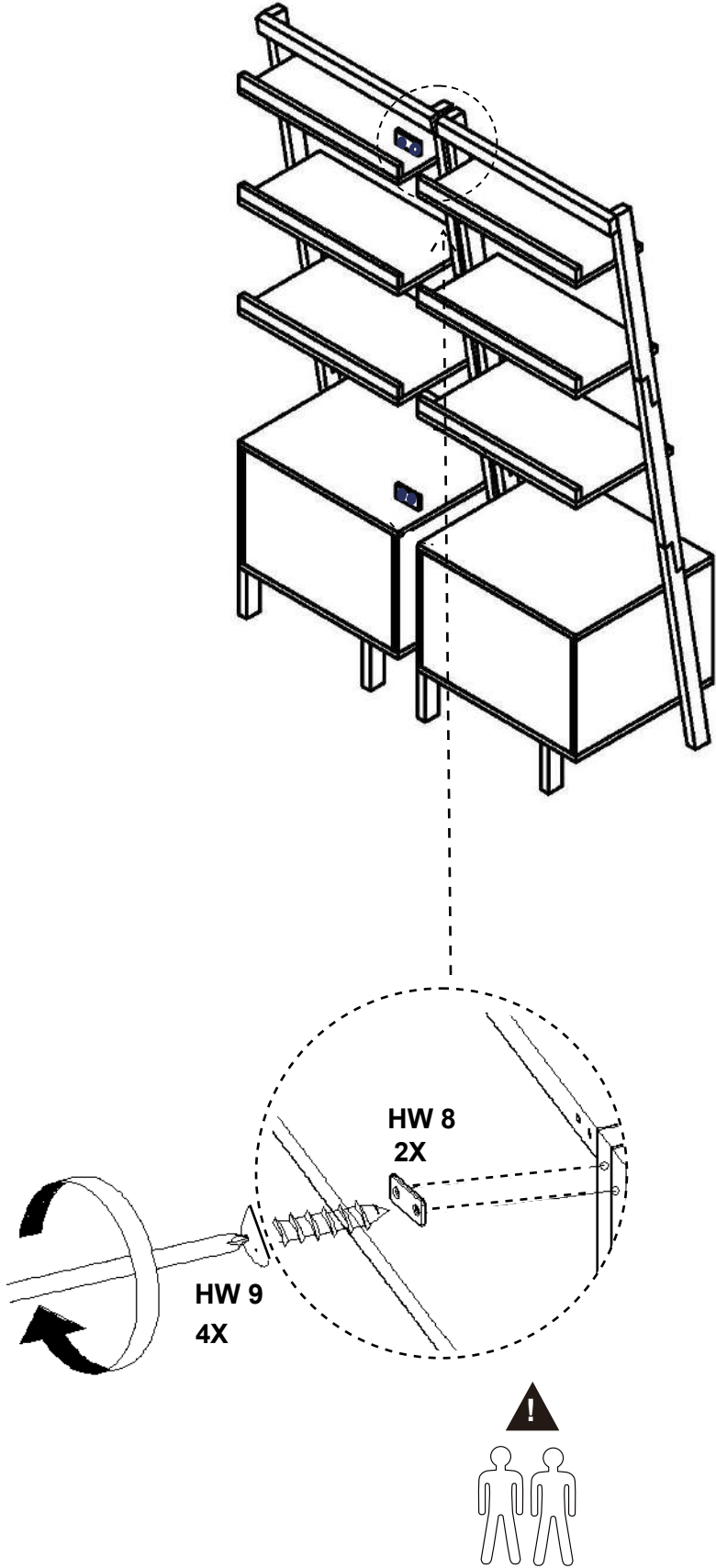
# STEP 9



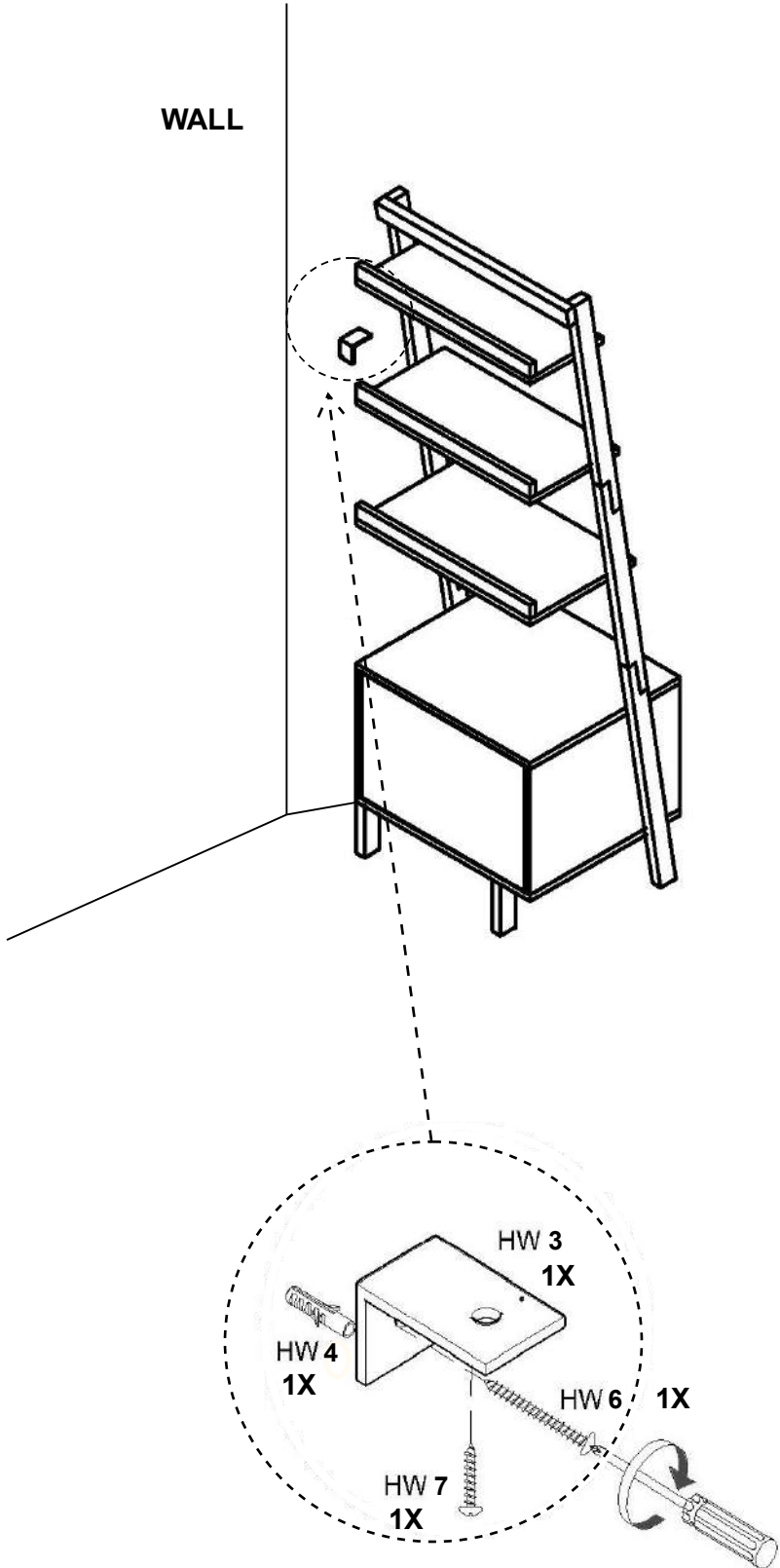
# STEP 10



# STEP 11



# STEP 12



# MAXIMUM WEIGHT

