

artos[®]

F903B-58TK

INSTALLATION GUIDE

thermostatic with 3-way
diverter, trim kit only round

BRUSHED NICKEL (BN)



BLACK (BK)



CHROME (CH)



SATIN BRASS (SB)



artos[®]

F903B-58TK

thermostatic with 3-way
diverter, trim kit only round

OPERATING SPECIFICATIONS

for associated valve | F943-V0



FEATURES

Solid Brass

MIXED WATER TEMPERATURE

Maximum: 120°F

HOT WATER SUPPLY TEMPERATURE

Maximum: 180°F

Minimum: 50°F

Advisable: 150°F- 160°F

Minimum difference between hot mixed temperature 50°F

OPERATING PRESSURE

Maximum: 125psi

Minimum: 20psi

Recommended: 30psi- 95psi

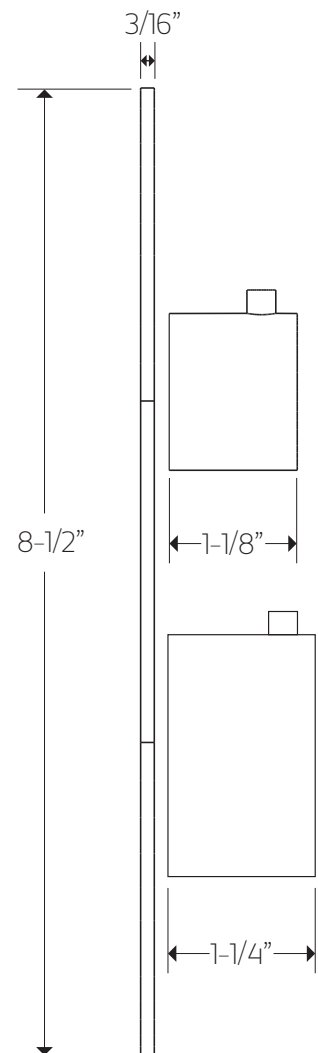
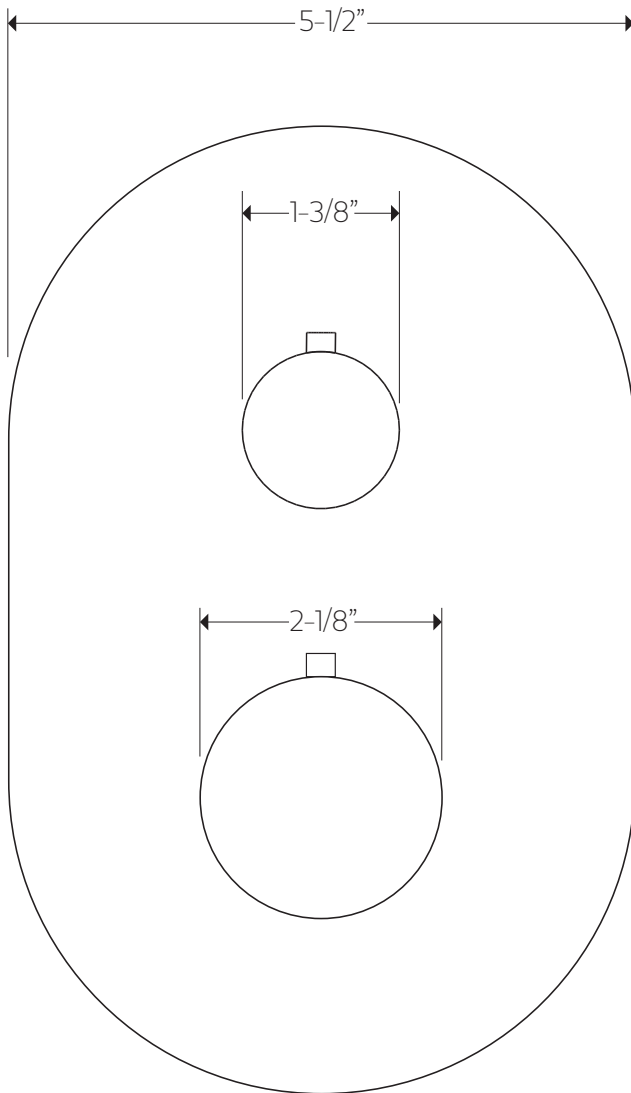
Operating pressures (on hot and cold lines) should be kept as balanced as possible, in order to assure the maximum efficiency.

artos[®]

F903B-58TK

PRODUCT DIMENSIONS

thermostatic with 3-way
diverter, trim kit only round

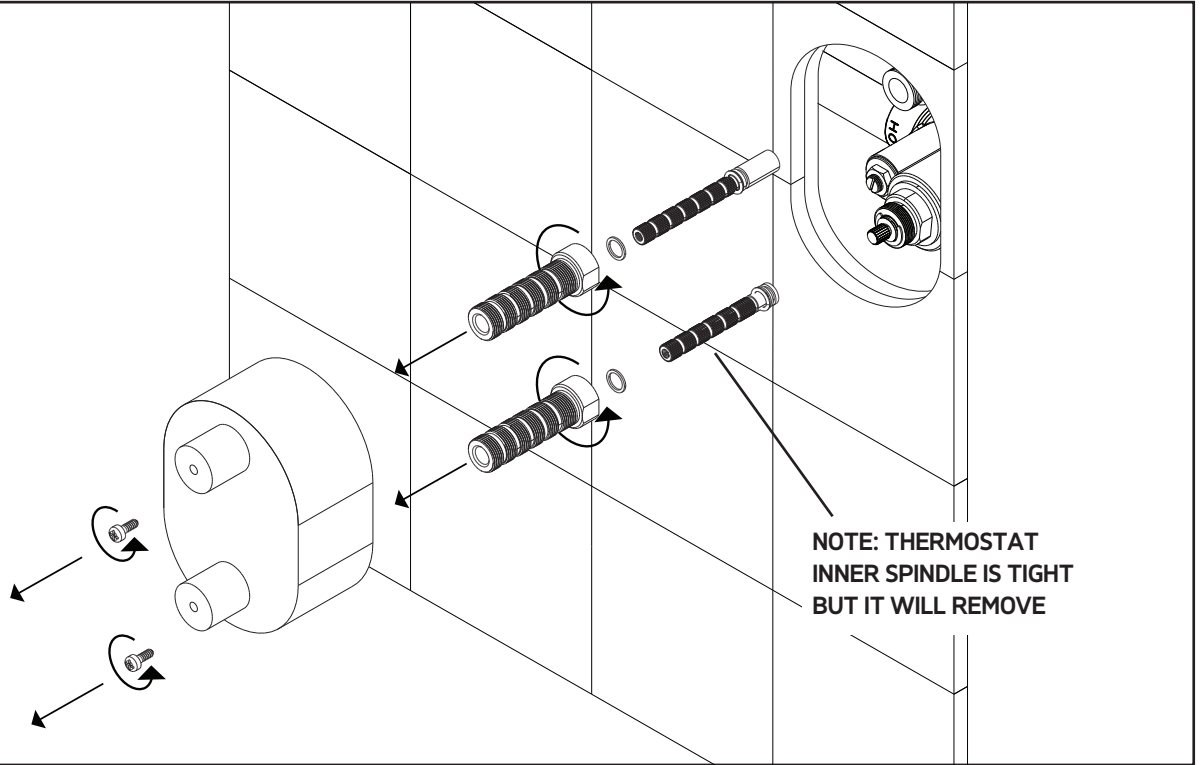


artos[®]

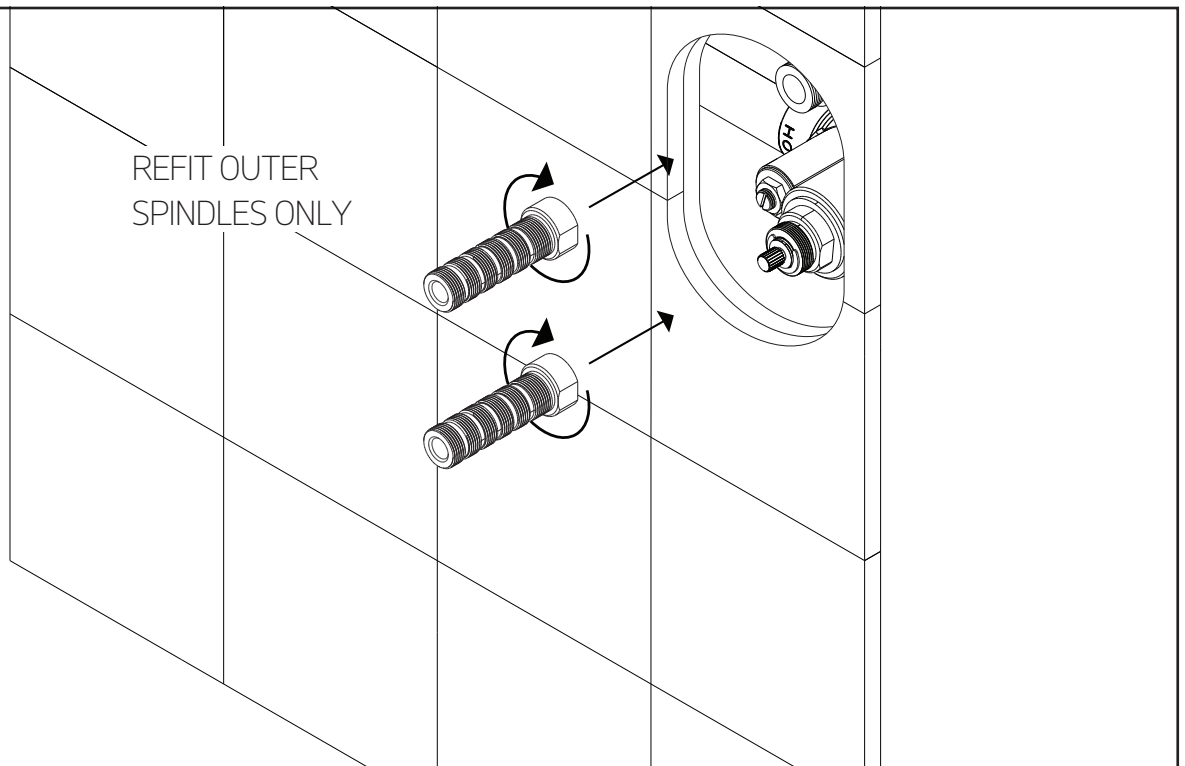
F903B-58TK

thermostatic with 3-way
diverter, trim kit only round

STEP 1

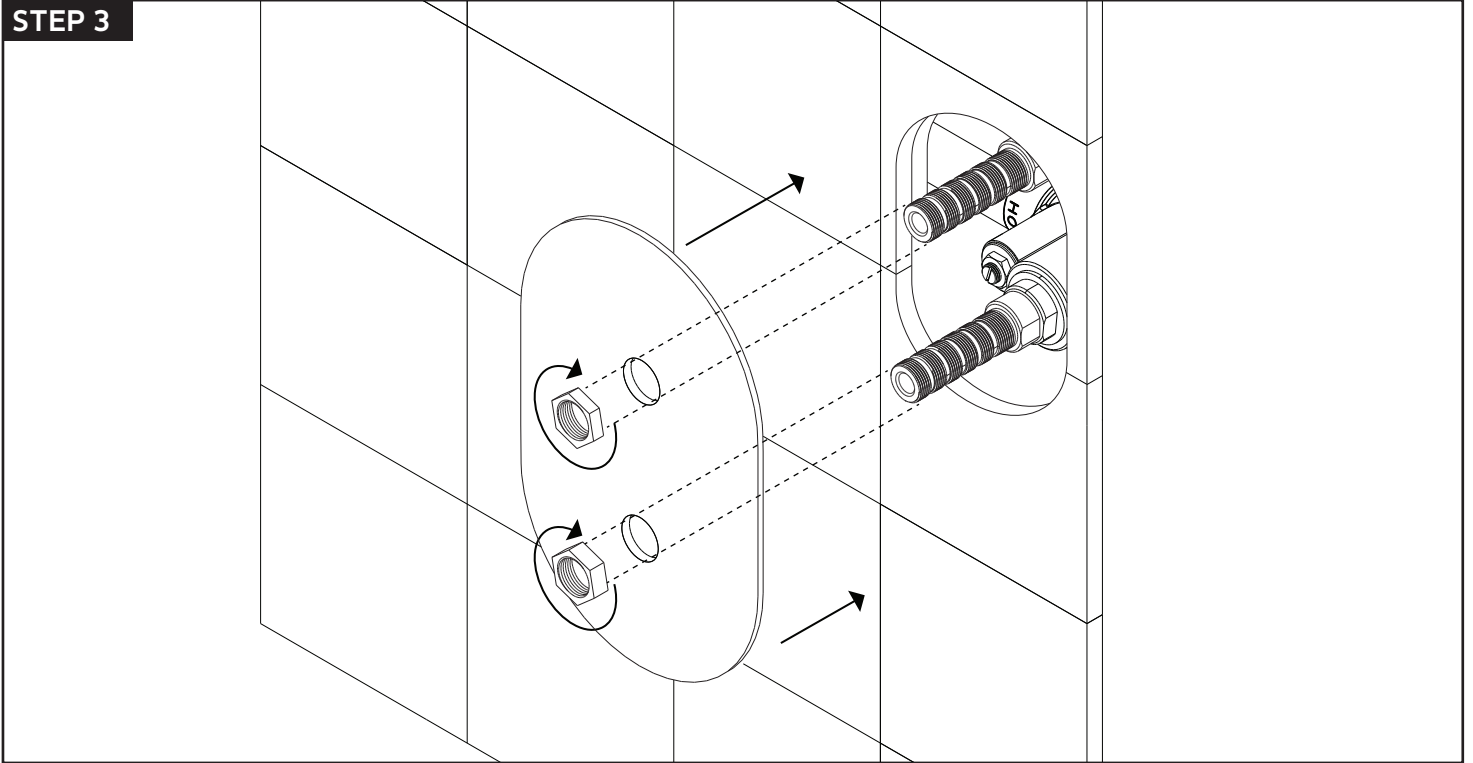


STEP 2

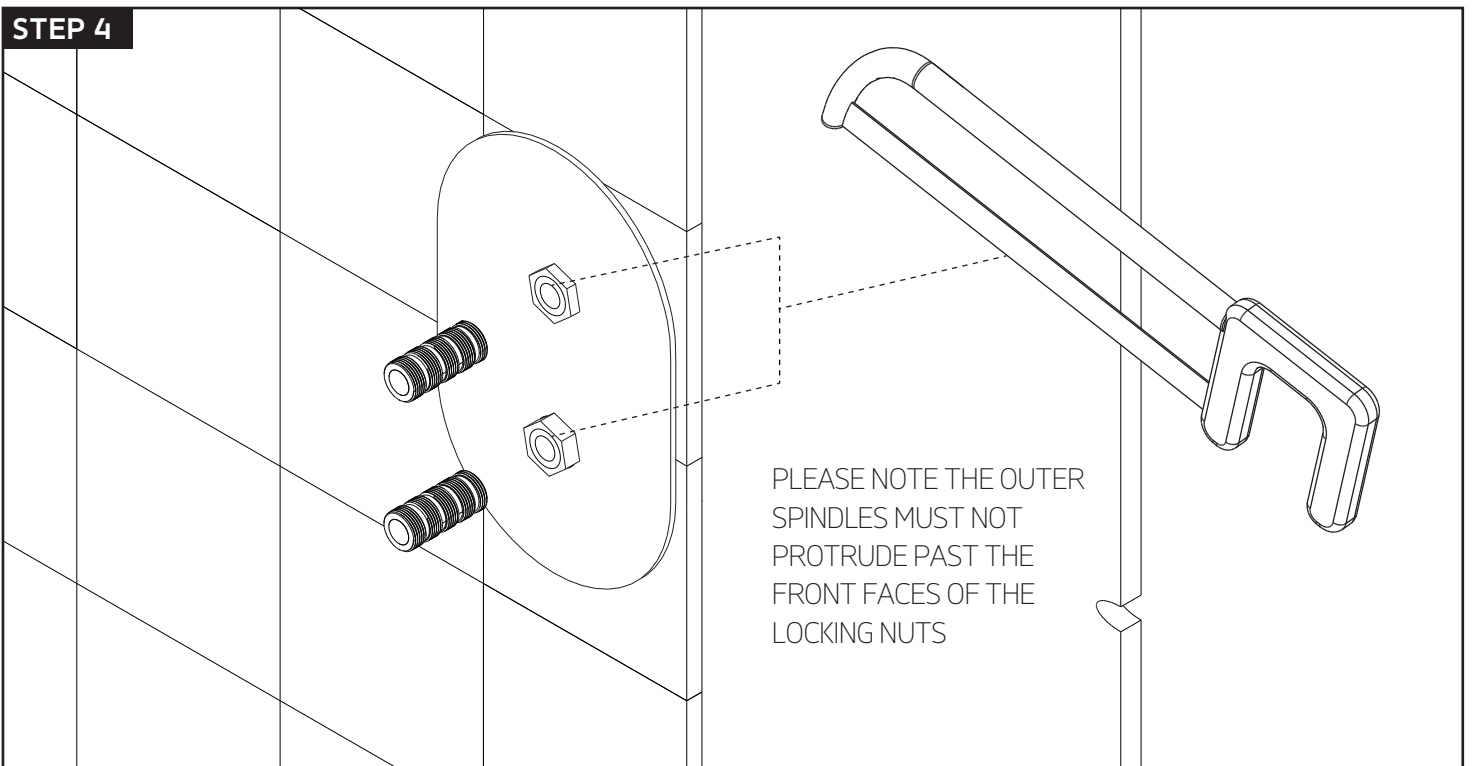


INSTALLATION STEPS

STEP 3



STEP 4

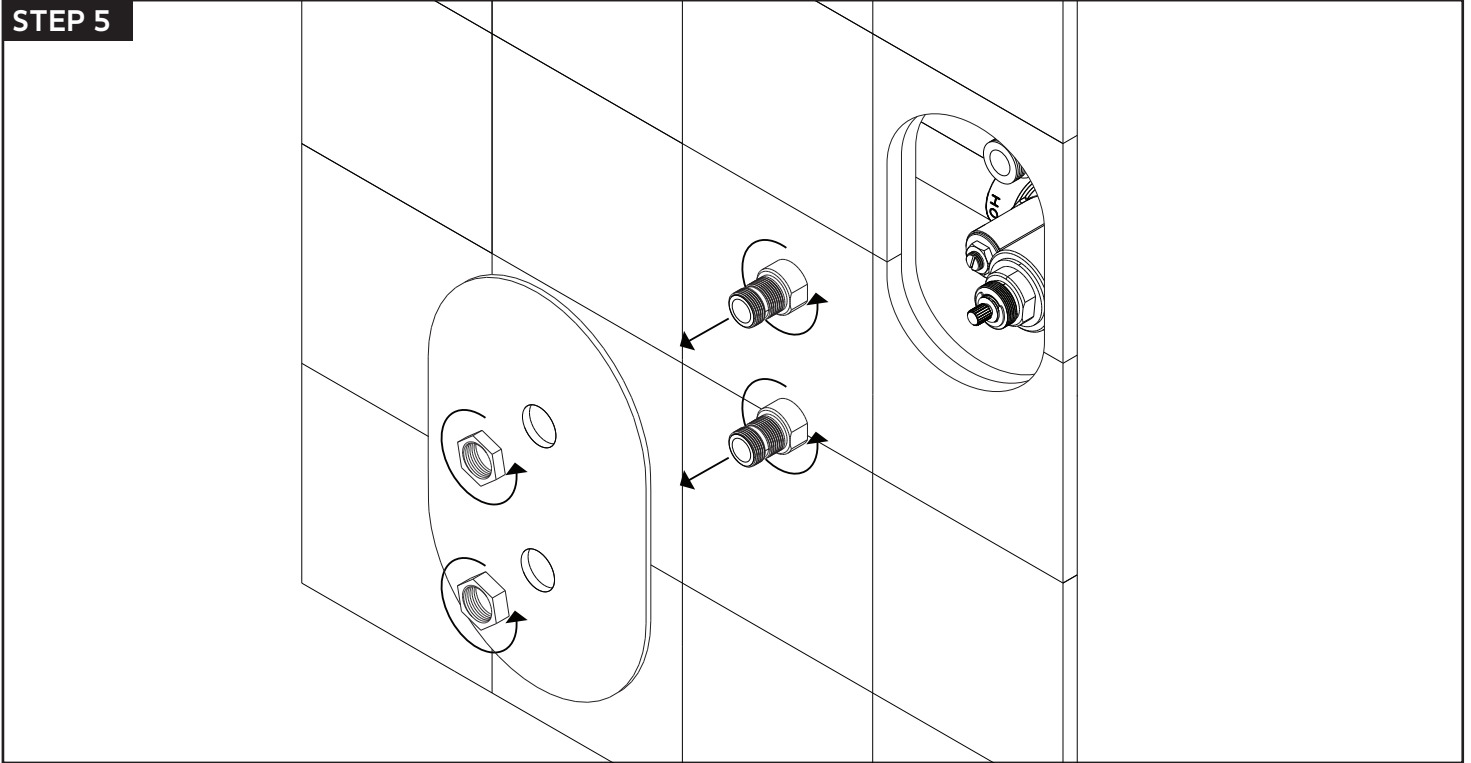


artos[®]

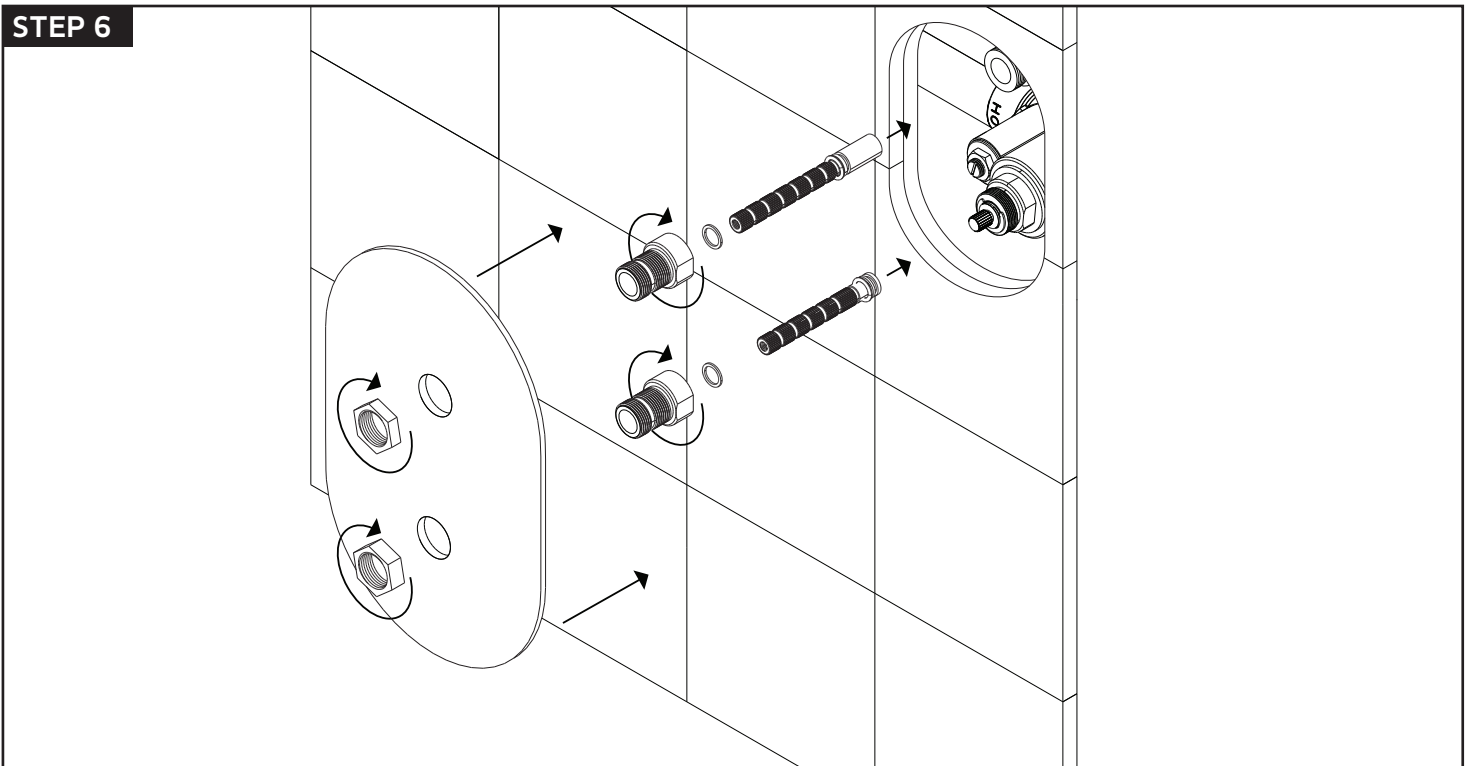
F903B-58TK

thermostatic with 3-way
diverter, trim kit only round

STEP 5

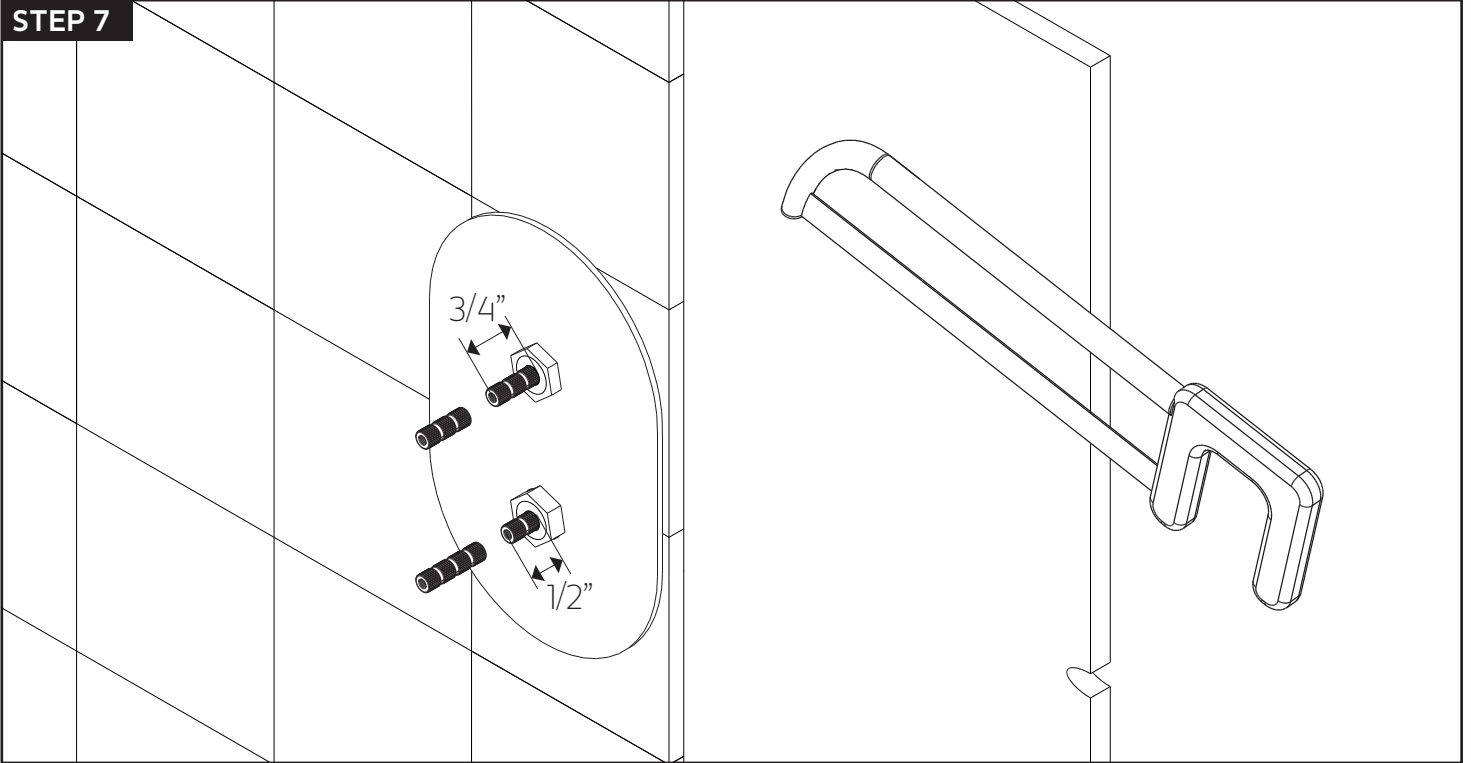


STEP 6

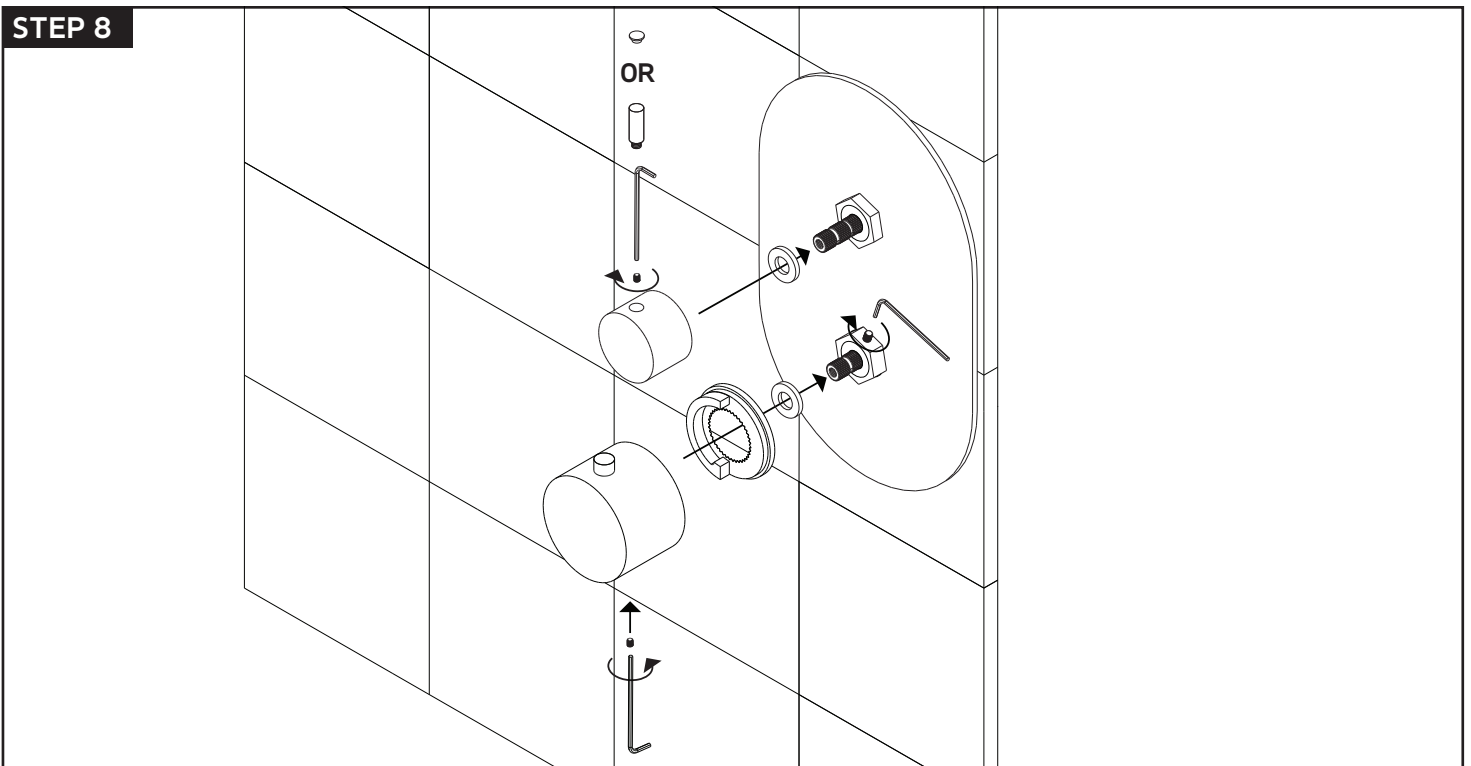


INSTALLATION STEPS

STEP 7



STEP 8

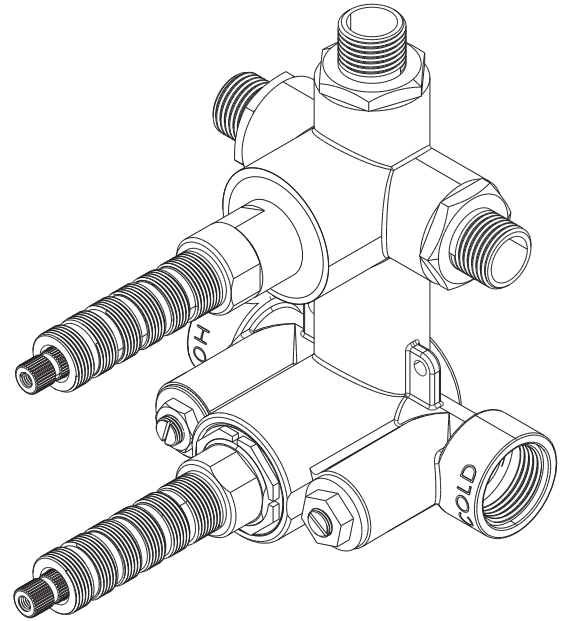
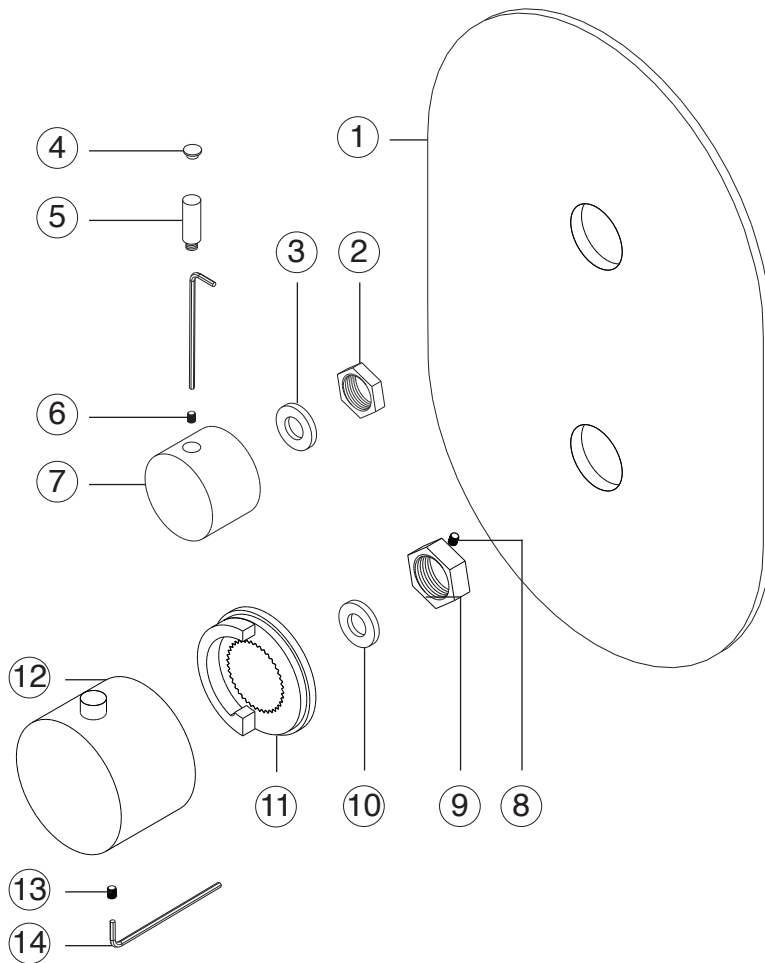


artos[®]

F903B-58TK

thermostatic with 3-way
diverter, trim kit only round

PARTS BREAKDOWN



- | | |
|-------------------------|-----------------------------|
| ① ESCUTCHEON | ⑧ LOCKING NUT SET SCREW |
| ② DIVERTER LOCKING NUT | ⑨ THERMOSTAT LOCKING NUT |
| ③ NYLON WASHER | ⑩ NYLON WASHER |
| ④ HANDLE HOLE CAP | ⑪ TEMPERATURE LIMITING RING |
| ⑤ DIVERTER HANDLE LEVER | ⑫ THERMOSTAT HANDLE |
| ⑥ DIVERTER SET SCREW | ⑬ THERMOSTAT SET SCREW |
| ⑦ DIVERTER HANDLE | ⑭ ALLEN WRENCH |