



STOP

We just wanted to thank you for allowing New Ridge Home to be a part of your home. If you love what you received, please take the time to write a review on the site you purchased from.

WAIT

If there is any issue with your purchase, please contact us using the information found below. In many cases we have a part or hardware that will fix the issue without the hassle of having to return the item. To make a parts request, please note the following in your e-mail:

SKU number on the box (starting with NR)

The part number or letter of the part on the instruction sheet

A brief description of the issue

Your name & address

If possible, please also include a picture of the issue or the product.

Send request to: kcovey@newridgehomegoods.com

HOLD ON

Don't forget to check out our website www.newridgehomegoods.com where you will find our complete line of products, assembly instructions, and more.

From our entire team, Thank You for your business, we truly appreciate it!



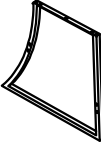


ASSEMBLY INSTRUCTIONS

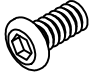
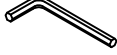
SWIVEL BARSTOOL

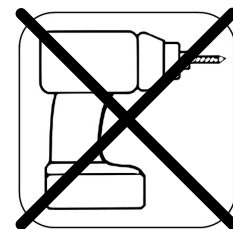
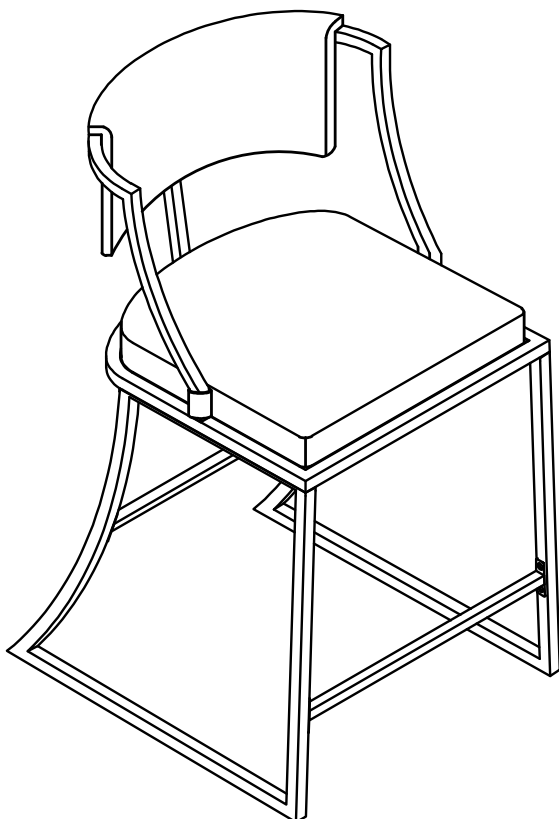


Do not fully tighten all screws until assembly is complete.

NR1105

A STOOL BACK WITH SEAT  1 PC	B LEFT LEG  1 PC	C RIGHT LEG  1 PC	D FOOTREST  1 PC	E BACK RAIL  1 PC
---	---	--	---	--

1 BOLT Ø1/4" x 13 x 5/8"  14 PC	2 ALLEN KEY 2-1/4" x 4mm  1 PC
---	--

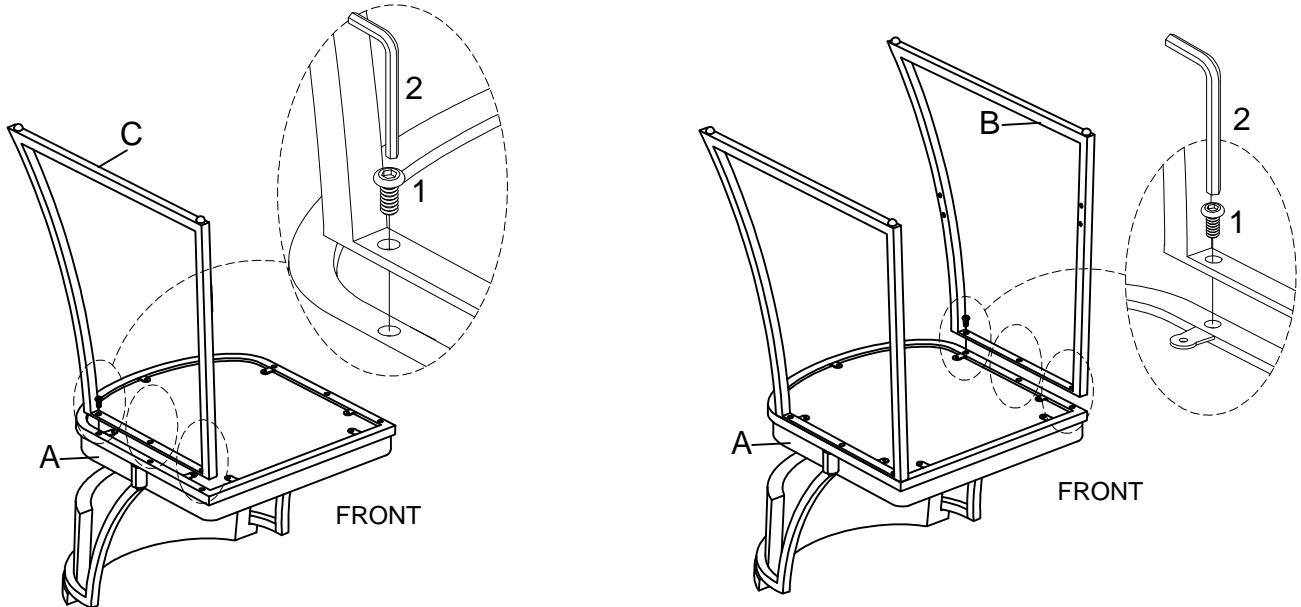


**No drills necessary.
Do not use power
screwdriver.**

This page lists all the contents included in the box. Please take the time to identify the hardware as well as the individual components to this product. As you unpack and prepare for assembly, place the contents on a carpeted or padded area to protect them from damage.

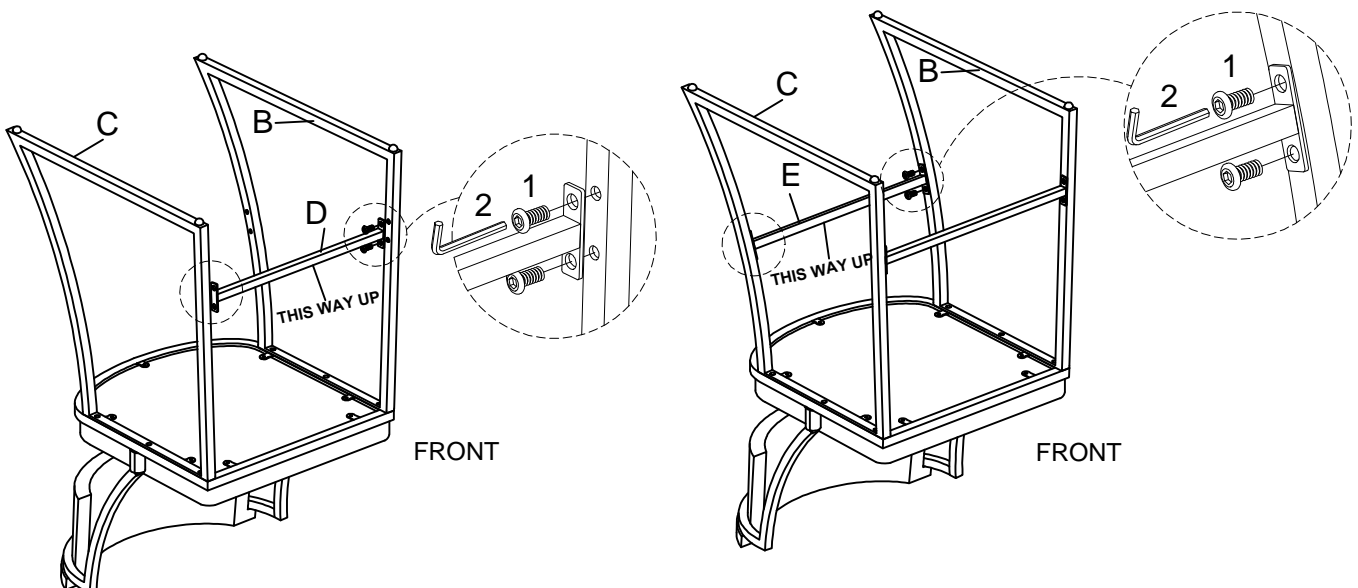
STEP 1 Attach Left Leg (B) to the bottom of Stool back with seat (A) with bolts (1) using Allen key (2).
Do not fully tighten the bolts at this step.

Attach Right Leg (C) to the bottom of Stool back with seat (A) with bolts (1) using Allen key (2).
Do not fully tighten the bolts at this step.



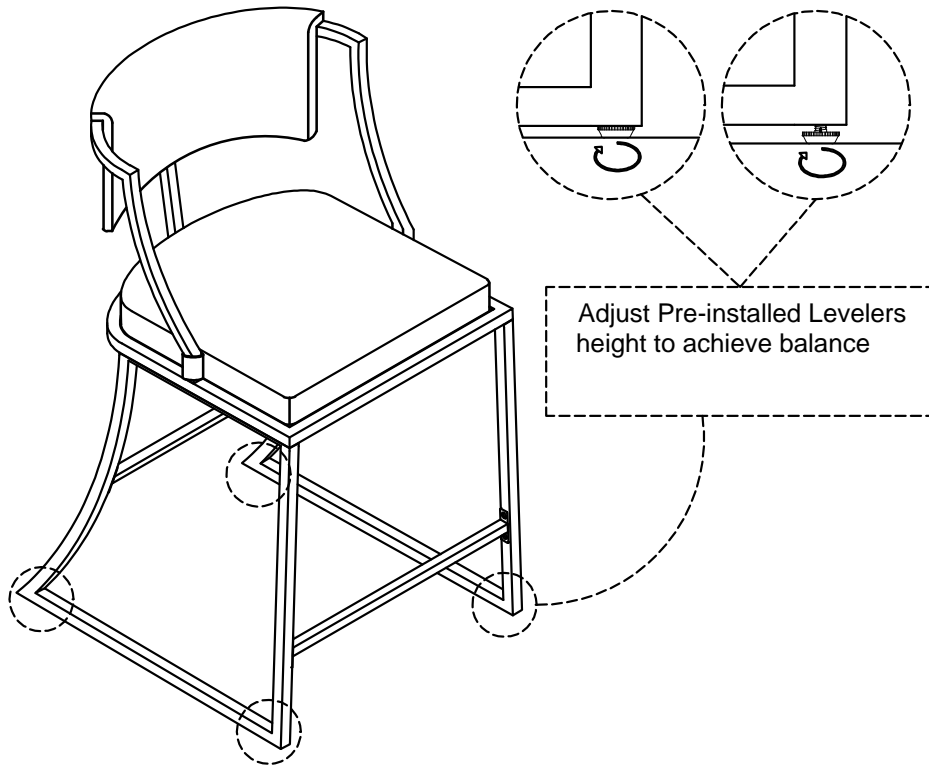
STEP 2 Attach Footrest (D) to the Left Leg (B) and Right Leg (C) stretcher.
Do not fully tighten the bolts at this step.

Attach Back Rail (E) to the Left Leg (B) and Right Leg (C) stretcher.
Do not fully tighten the bolts at this step.



STEP 3

Turn stool upright and place on flat surface.
Adjust the Pre-installed Levelers at the bottom of
Left Leg (B) and Right Leg (C) until the Stool is level with the ground.



STEP 4

Ensure the legs are aligned and seat is level, then fully tighten all bolts from
Steps 1 and 2.

COMPLETE

