

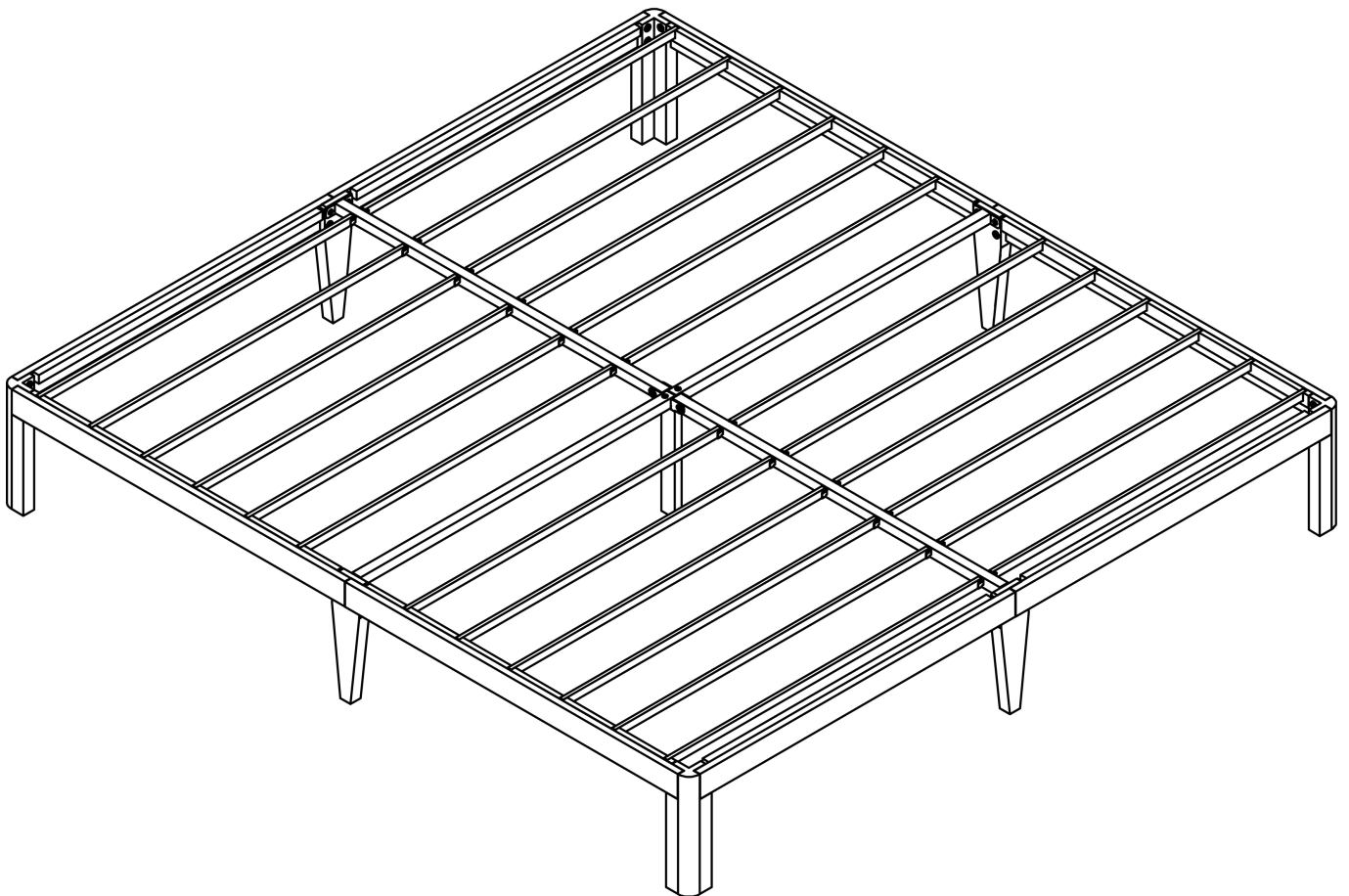
ASSEMBLY & INSTRUCTION

SIZE: KING/CALIFORNIA KING

Notice: This instruction manual applies to King and California King size.

DO NOT RETURN DIRECTLY!

If any parts are missing or damaged, we will gladly ship replacements free of charge.



Weight Limit: 1000 Lb / 454 Kg

PLEASE READ BEFORE ASSEMBLY

****Warranty Information****

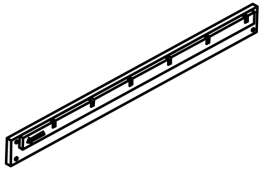
1. We warrant this product to be free from defects in materials and workmanship for three years from the date of original purchase. Proof of purchase is required for all warranty claims.
2. This warranty covers the repair or replacement of defective parts only; assembly labor is not included.
3. This warranty does not apply to product that has been improperly assembled, subjected to misuse or abuse, or altered or repaired in any way. Liability for consequential damages is excluded to the extent permitted by law.

****Read Before Beginning Assembly****

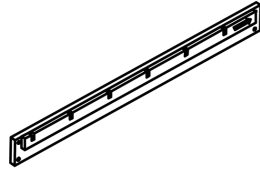
1. Clear the area: Assemble in a spacious area near the product's final location, preferably on a carpet or protected surface (like the product's cardboard packaging) to safeguard both your floor and the product.
2. Recommended Assembly Team: It is recommended that at least two people assemble this product. Having an extra hand can make the process easier. Estimated assembly time is 1 hour.
3. Check for all parts: Most parts are labeled or stamped on the raw edge. Ensure all parts are included before starting.
4. Read each step carefully: Follow the assembly steps in the correct order. Skipping steps or changing the sequence can lead to difficulties.

****Caution****

1. **Bamboo Node Color** - Due to the natural characteristics of bamboo, variations in grain depth are normal.
2. **Power tools not recommended** - Power tools can strip or damage parts and void the warranty.
3. **Important** - Do not fully tighten any bolts until the entire unit is assembled. This will allow for proper alignment and adjustment during the assembly process.



① Left Side Rail
2PCS



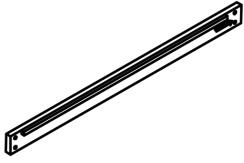
② Right Side Rail
2PCS



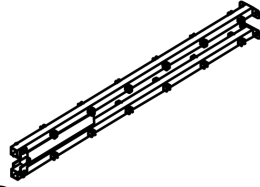
③ Middle Support Leg
4PCS



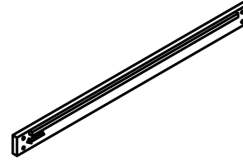
④ Corner Leg
4PCS



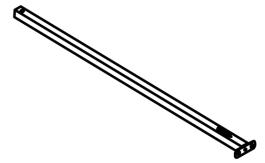
⑤ Left Side Bracket
2PCS



⑥ Center Support Rail
1PC



⑦ Right Side Bracket
2PCS



⑧ Center Support Bar
2PCS



⑩ Slat
24PCS

Hardware Kit



A×32PCS
M8*26mm



C×2PCS
M8*33mm

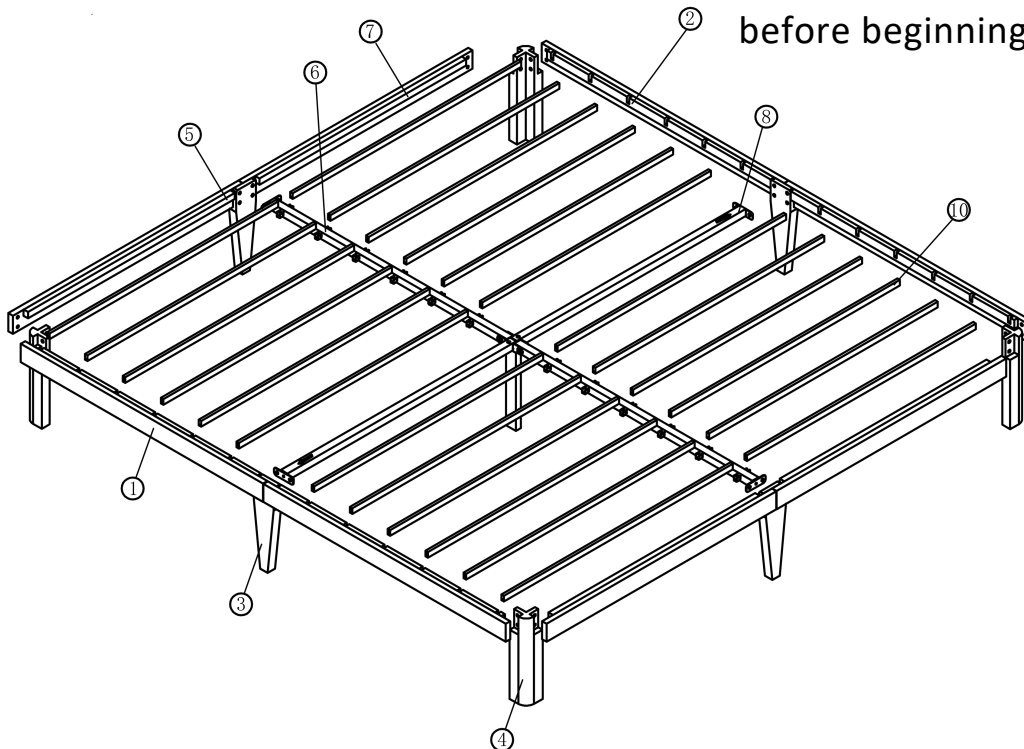


E×24PCS



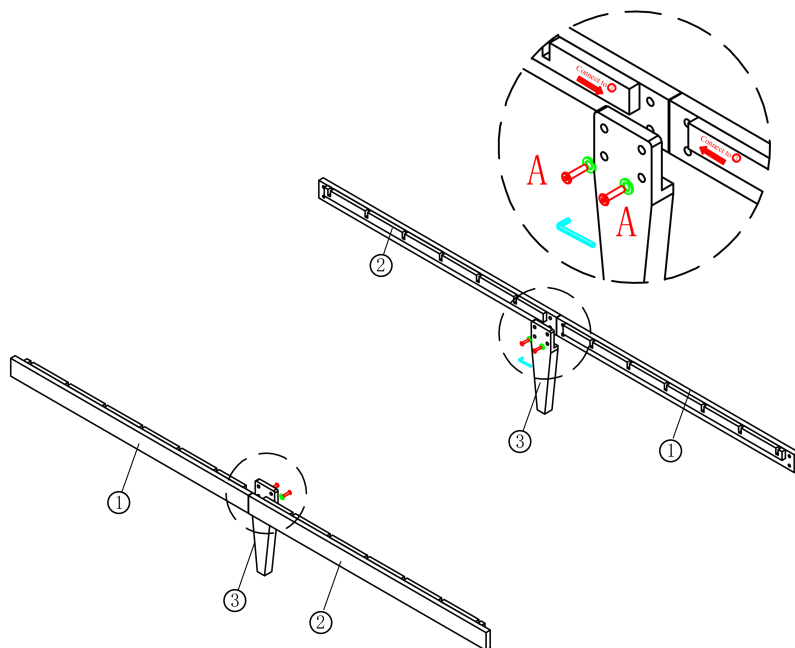
Parts

This page lists all the items included in this package. Please identify the hardware and individual components before beginning assembly.

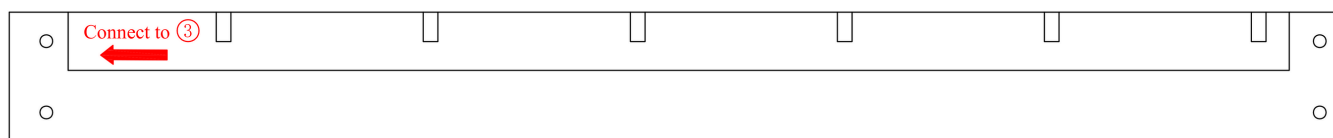


Step 1

Assembly of Side Rails



- Follow the sign to connect the left rail ① , right rail ② and middle support leg ③ by using bolts(A) and gasket (E). The bolts and gaskets should be installed to the bottom holes.



Ax4PCS
M8*26mm



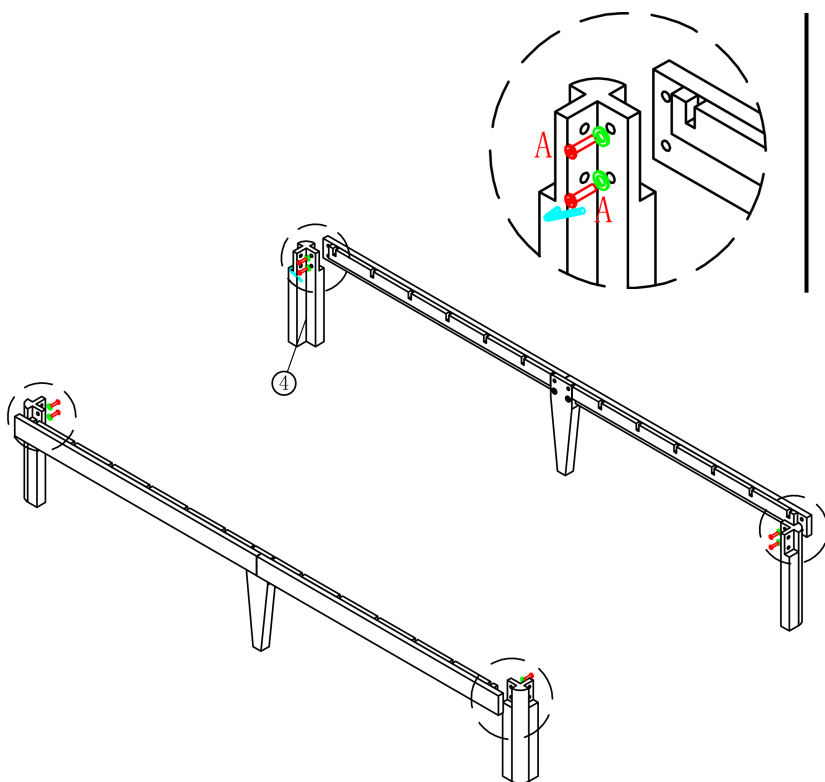
Ex4PCS



Note: The hole spacing on both sides of the side rail is different. Please make sure to confirm the corresponding positions during installation.

Step 2

Mounting the Corner Leg



- Secure the corner legs and side rails with bolts(A) and gasket (E).
- Once all bolts are in place, use the provided Allen wrench to fully tighten each bolt.



Ax8PCS
M8*26mm



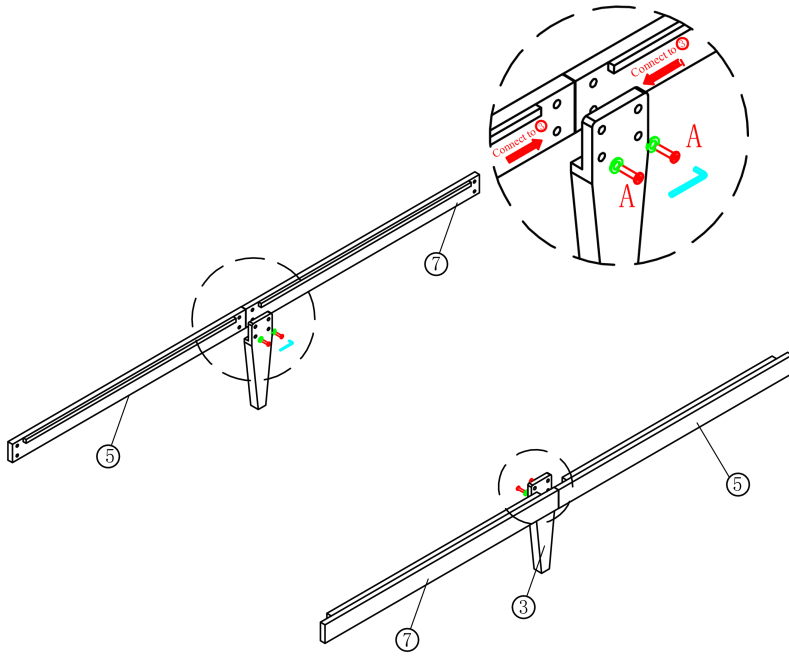
Ex8PCS



Note: The hole spacing on both sides of the side rail is different. Please make sure to confirm the corresponding positions during installation.

Step 3

Assembly of Side Brackets



- Follow the sign to connect the left bracket ⑤, right bracket ⑦ and middle support leg ③ by using bolts (A) and gasket (E). The bolts and gaskets should be installed to the bottom holes.



A×4PCS
M8*26mm



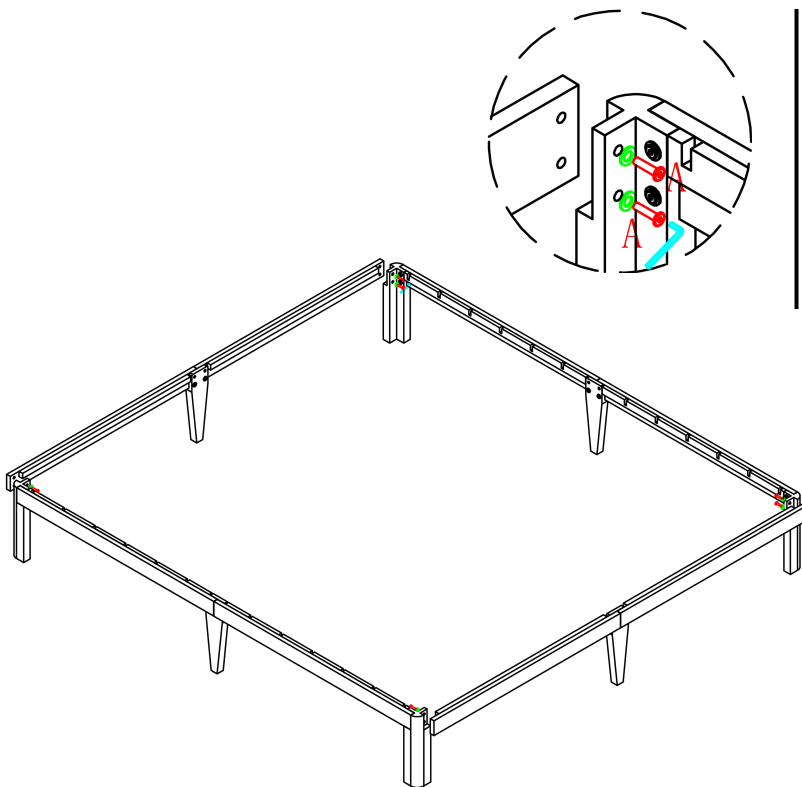
E×4PCS



Note: Ensure all connections are properly aligned before final tightening. This step is crucial for the bed's stability.

Step 4

Assembling the Bed Frame



- Secure the corner legs and side brackets with bolts(A) and gasket (E).
- Once all bolts are in place, use the provided Allen wrench to fully tighten each bolt.



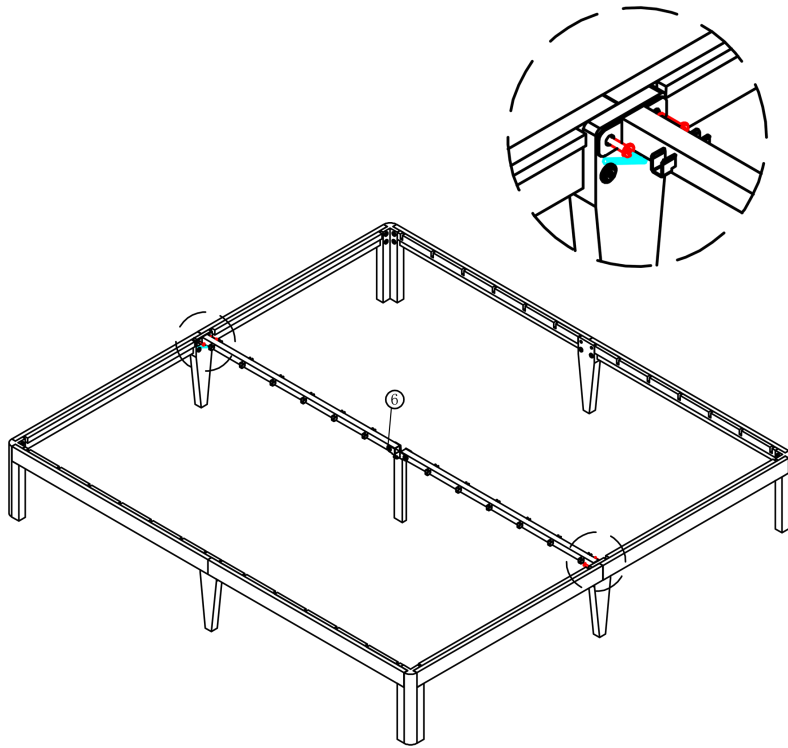
A×8PCS
M8*26mm



E×8PCS



Note: Ensure all connections are properly aligned before final tightening. This step is crucial for the bed's stability



Step 5

Installing the Center Support Rail

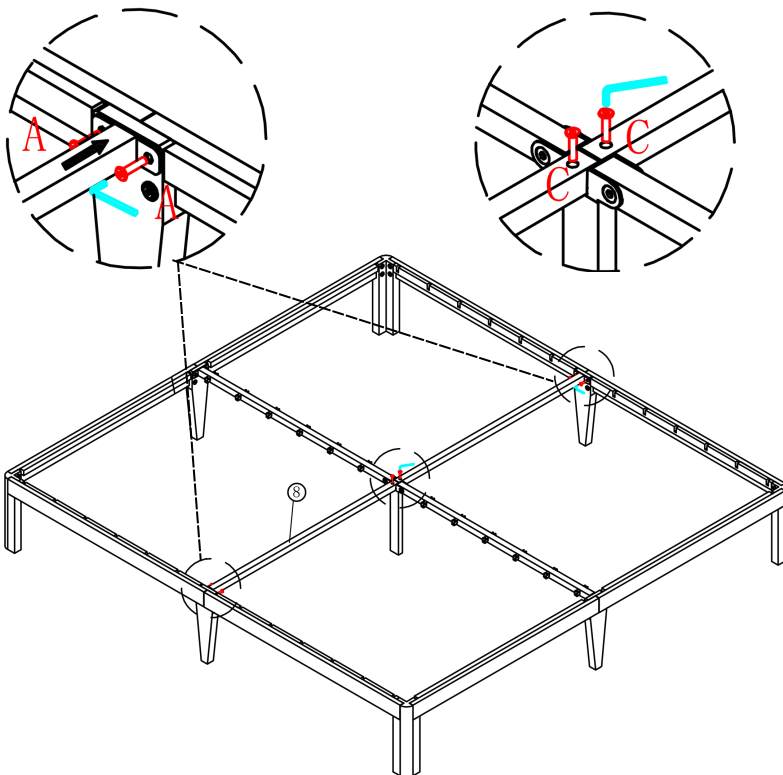
- Attach the center support rail ⑥ to both ends of the bed frame using bolts (A).



A×4PCS
M8*26mm



Note: Ensure all connections are properly aligned before final tightening. This step is crucial for the bed's stability.



Step 6

Installing the Center Support Bar

- Make the sign face up and attach this bar to the center pole using bolt (C).
- Secure all connections. Use bolt (A) to fasten the center support bar.



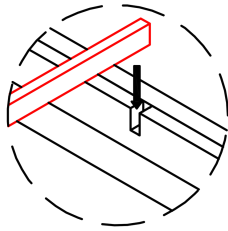
A×4PCS
M8*26mm



C×2PCS
M8*33mm



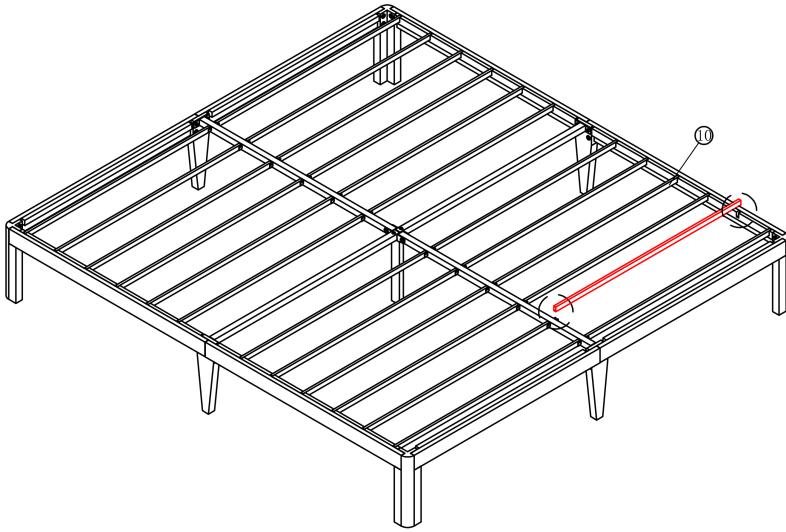
Note: Ensure all connections are properly aligned before final tightening. This step is crucial for the bed's stability.



Step 7

Installing the Bed Slats

- Place all bed slats across the side rails as shown in the diagram. Each slat should be securely positioned in the designated slots.



Note: Before completing assembly, double-check that all screws and components are fully tightened.

IMPORTANT INFORMATION

****REPLACEMENT PART OR HARDWARE REQUEST****

- ★ Request a replacement by logging into the marketplace account in which the purchase was made and sending a message to the seller. To expedite the request, attach applicable images relevant to the request and/or include the part number and quantity.

****Warnings****

1. Age Restriction: The bed is not designed for children under 4 years old.
2. For your safety: Jumping, rough play, or other vigorous activities on the bed are not recommended as they may cause injury or damage to the bed frame.
3. Weight Limit: The maximum combined weight on the bed should not exceed 1000 lbs. This includes the weight of the bed itself, mattresses, bedding, and people.
4. Do not drag or push the bed frame: Always use two people to lift and reposition the bedframe to avoid damage to the frame or the floor.

****Cleaning & Care****

1. Cleaning Method: Use a dry or slightly damp soft cloth for cleaning. Avoid abrasive cleaners, which can damage the finish.
2. Hardware Maintenance: Over time, hardware can loosen. Regularly check and tighten all connections to maintain the bed's stability and prevent damage.

Please keep these instructions for future reference!